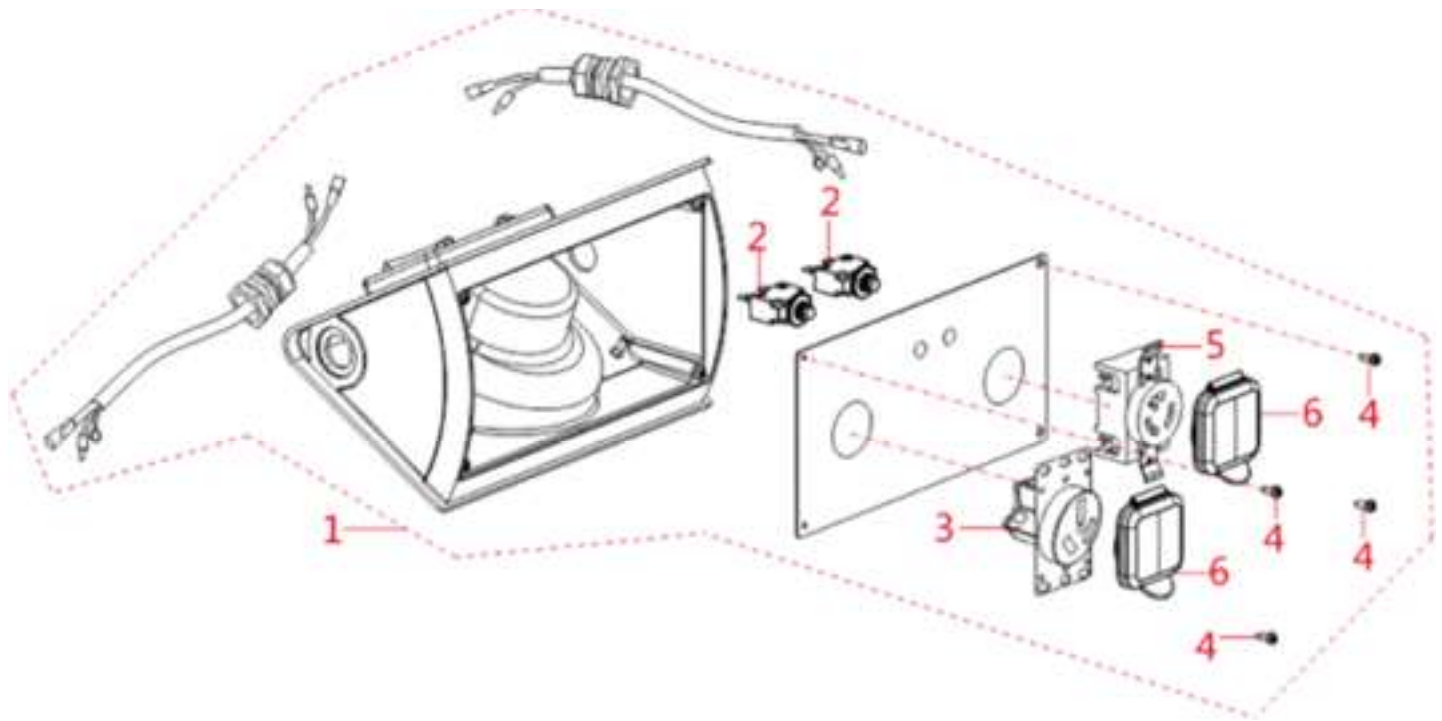


PARTS LIST AND DIAGRAM



Item No.	Stock No.	Description	Quantity
1	56421	Parallel Kit	1
2	56421-002	Circuit Breaker	2
3	56421-003	RV Receptacle	1
4	56421-004	Bolt	4
5	56421-005	Twist Lock Receptacle	1
6	56421-006	Waterproof Cover	2