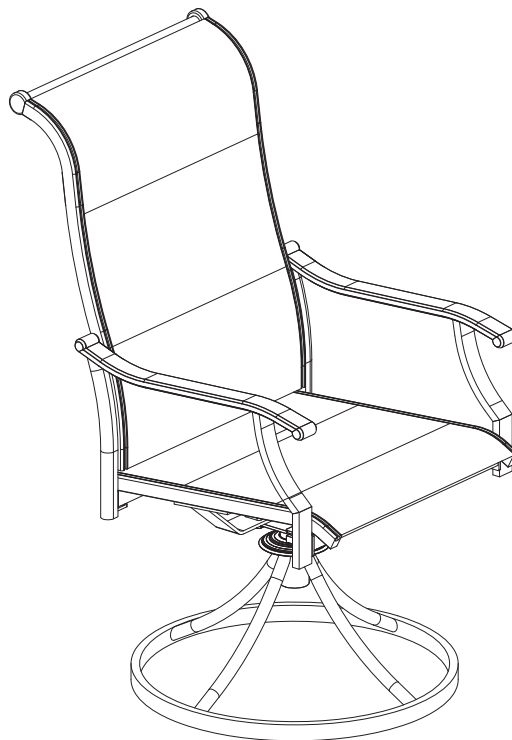


HAMPTON BAY

Item # 1004 307 374
1004 307 686
Model # A44-0008A

USE AND CARE GUIDE

RIVERBROOK PADDED SLING LOUNGE CHAIR



Questions, problems, missing parts? Before returning to the store,
call Hampton Bay Customer Service
8 a.m. - 7 p.m., EST, Monday – Friday, 9 a.m. – 6 p.m., EST, Saturday

1-855-HD-HAMPTON

HAMPTONBAY.COM

THANK YOU

We appreciate the trust and confidence you have placed in Hampton Bay through the purchase of this dining chair. We strive to continually create quality products designed to enhance your home. Visit us online to see our full line of products available for your home improvement needs. Thank you for choosing Hampton Bay!

Table of Contents

Table of Contents	2	Pre-Assembly	3
Important Safety Instructions	2	Planning Assembly	3
Warranty	2	Hardware Included	3
What is covered	2	Package Contents	3
What is not covered	2	Assembly	4
		Care and Cleaning	5

Important Safety Instructions

SAVE THESE INSTRUCTIONS

READ ALL INSTRUCTIONS BEFORE USE

To reduce the risk of injury to persons:

1. Close supervision is necessary when this furnishing is used by or near children, or disabled persons, if applicable.
2. Use this furnishing only for its intended use as described in these instructions. Do not use attachments not recommended by the manufacturer.

Warranty

THIS IS A RESIDENTIAL WARRANTY ONLY AND THIS WARRANTY DOES NOT APPLY TO COMMERCIAL USE

2 YEAR FRAME AND FABRIC LIMITED WARRANTY

WHAT IS COVERED

We warrant the frame to be free of manufacturing defects to the original purchaser for two years.

WHAT IS NOT COVERED

It remains the customer's responsibility for freight and packaging charges to and from our service center. This warranty does not cover commercial use, hardware, acts of nature, fire, freezing, and abusive use. In addition, purchased parts are not covered under this warranty. We reserve the right to make substitutions with similar merchandise, if the model in question is no longer in production.

For a copy of our full limited warranty, please contact our customer service team below.

Contact the Customer Service Team at 1-855-HD-HAMPTON or visit www.hamptonbay.com.

Pre-Assembly

PLANNING ASSEMBLY

Please read this entire instruction manual prior to assembly.

Identify all parts packed in the carton against the parts list. Remove all protective materials and place the parts on a non-abrasive surface to avoid scratching.



NOTE: More than one person may be required to complete the assembly of this product.

HARDWARE INCLUDED

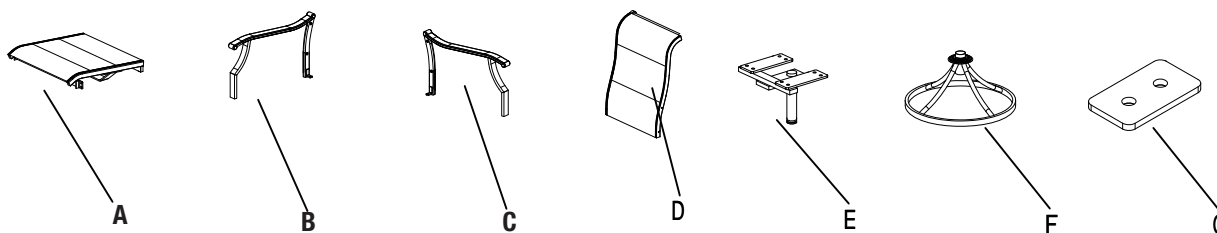


NOTE: Hardware not shown to actual size.



Part	Description	Quantity
AA	M6*20 mm combination bolt	6
BB	M6*35 mm combination bolt	4
CC	M8*45 mm bolt	4
DD	M8 washer	8
EE	M8 spring washer	4
FF	M8 nut	4
GG	M6 Wrench	1
HH	M8 Wrench	2

PACKAGE CONTENTS



Part	Description	Quantity
A	Seat panel	1
B	Right arm	1
C	Left arm	1
D	Back panel	1
E	T shape base	1
F	Chair base	1
G	Steel plate	4

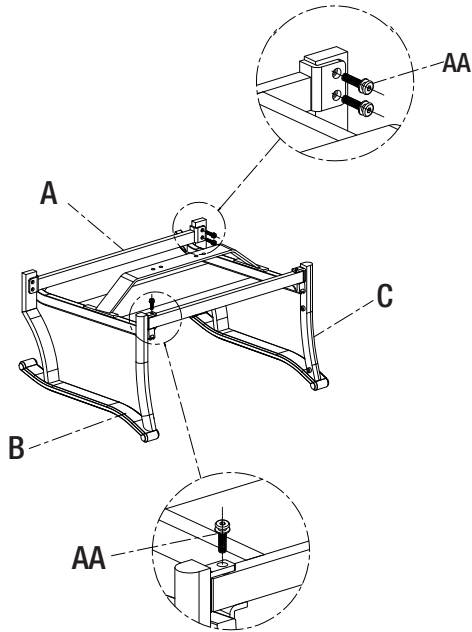
Assembly

1 Attaching the arms to the seat panel

- Attach the left arm (C) and right arm (B) to the seat panel (A) with M6x20 bolts (AA).



NOTE: Please ensure all bolts are aligned and assembled correctly. Fully tighten bolts with M6 hex wrench (GG).

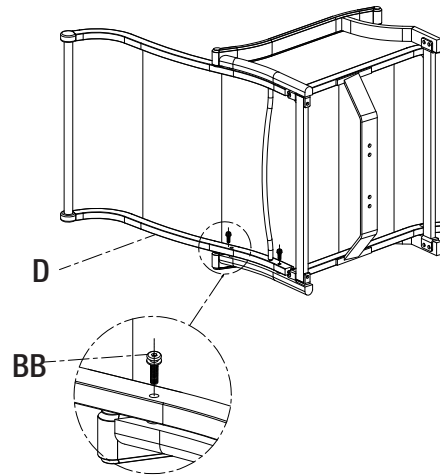


2 Attaching the back panel

- Attach the back panel (D) to the arms (B and C) with M6x35 bolts (BB).



NOTE: Please ensure all bolts are aligned and assembled correctly. Fully tighten bolts with M6 hex wrench (GG).



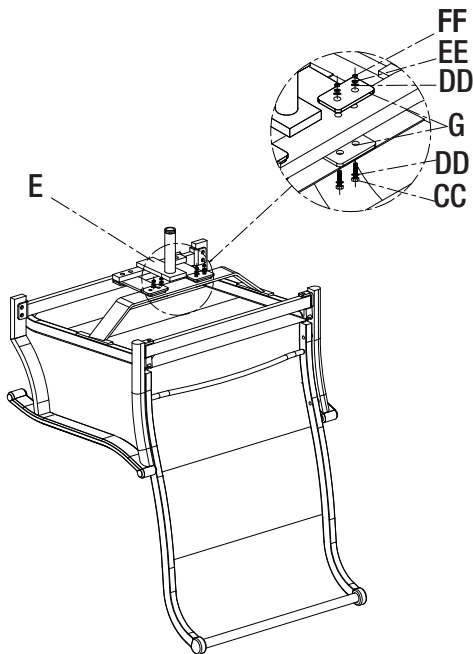
Assembly (continued)

3 Attaching the T shape base

- Attach the T shape base and steel plate to the seat panel with M8x45 bolts and washers. Tighten all the bolts with M8 washers, spring washers and M8 nuts.

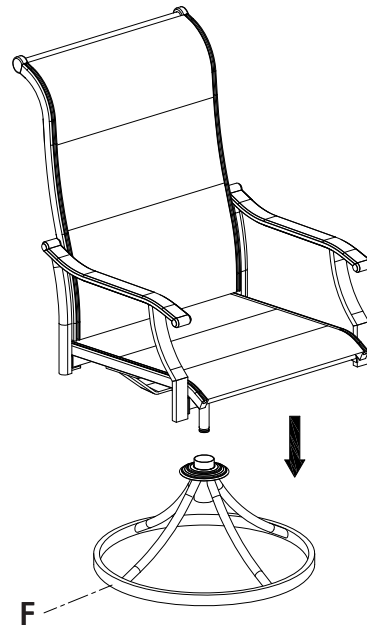


NOTE: Please ensure all bolts are aligned and assembled correctly. Fully tighten bolts with M8 wrench (HH).



4 Connecting the chair base to the chair bucket

- Insert the chair bucket to the chair base. The chair is ready for use.



Care and Cleaning

- Do not allow water to build up in the frames. This will cause corrosion and possible freezing damage in cold climates.
- Use a mild soap and water for normal cleaning. Do not use janitorial or alcohol based cleaners. Some cleaners may be marked as natural, but some ingredients may cause discoloration or have an adverse reaction to your finish.
- Rinse with clean water and dry with a soft, absorbent cloth towel.
- Treat the frames with a liquid wax for maximum protection against UV rays and/or salty, damp air.

HAMPTON BAY®

Questions, problems, missing parts? Before returning to the store,
call Hampton Bay Customer Service
8 a.m. – 7 p.m., EST, Monday – Friday, 9 a.m. – 6 p.m., EST, Saturday

1-855-HD-HAMPTON

HAMPTONBAY.COM

Retain this manual for future use.