

**CADET® 3 RIGHT HEIGHT®
ELONGATED COMPLETE TOILET**

3378.528ST

- Vitreous china
- Meets definition for HET (High Efficiency Toilet)
- Includes tank liner to reduce condensation
- High Efficiency (1.28 gpf/4.8 Lpf)
- Meets EPA WaterSense® criteria
- Stays clean longer with EverClean® surface which inhibits the growth of stain and odor causing bacteria, mold and mildew on the surface
- Features the **Cadet® 3 Flushing System**
- 16-1/2" rim height for ADA accessible application
- Elongated siphon action jetted bowl
- Fully-glazed 2-1/8" trapway with 2" ball pass
- Generous 9" x 8" water surface area
- PowerWash® rim scrubs bowl with pressurized water every flush
- 12" (305mm) Rough-in
- Oversized 3" flush valve
- Chrome trip lever
- Speed Connect® tank-to-bowl coupling system
- Sanitary dam on bowl to reduce tank to bowl buildup, with four point tank stabilization
- Includes color-matched plastic toilet seat
- Includes wax ring gasket with closet bolts
- 2 color-matched bolt caps
- 100% factory flush tested
- Limited Lifetime warranty on Chinaware,
5 year warranty on mechanical parts,
1 year warranty on seat



SEE REVERSE FOR ADDITIONAL
ROUGHING-IN DIMENSIONS

To Be Specified:

- Color: White
- Supply with stop:

Nominal Dimensions:

768 x 438 x 768mm
(30-1/4" x 17-1/4" x 30-1/4")

Compliance Certifications -

Meets or Exceeds the Following Specifications:

- ASME A112.19.2/CSA B45.1 for Vitreous China Fixtures
- US EPA WaterSense® Specification for HET's

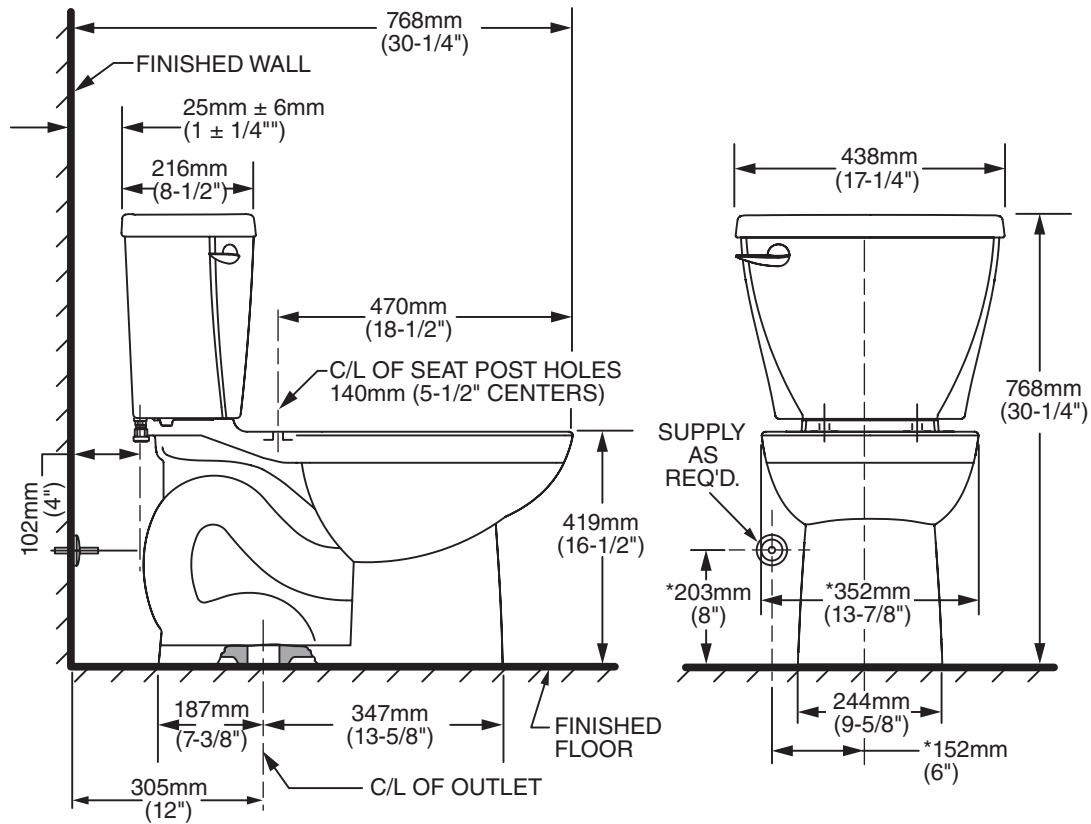


MEETS THE AMERICANS WITH DISABILITIES ACT GUIDELINES
AND ICC ANSI A117.1 REQUIREMENTS FOR ACCESSIBLE AND
USABLE BUILDING FACILITIES-CHECK LOCAL CODES.

EVERCLEAN®
Surface

CADET® 3
Flushing System





NOTES:

THIS TOILET IS DESIGNED TO ROUGH-IN AT A MINIMUM DIMENSION OF 305MM (12") FROM FINISHED WALL TO C/L OF OUTLET. SUPPLY NOT INCLUDED WITH FIXTURE AND MUST BE ORDERED SEPARATELY.
* DIMENSION SHOWN FOR LOCATION OF SUPPLY IS SUGGESTED.

IMPORTANT: Dimensions of fixtures are nominal and may vary within the range of tolerances established by ANSI Standard A112.19.2. These measurements are subject to change or cancellation. No responsibility is assumed for use of superseded or voided pages.