



855 975

Andross 48 in Ceiling Fan Owner's Manual

Andross
Ventilador de Techo de 1,22 m
Manual del Propietario





Congratulations on your purchase of a Hampton Bay ceiling fan. Your new fan will be a beautiful addition to your home, and will keep you comfortable throughout the year.

The Hampton Bay Fan Company offers a wide variety of ceiling fans. We offer combinations of wood and brass finishes, solid designer colors, and our unique glass and crystal designs.

A large selection of light fixtures and light kits is also available. Ask your dealer about other accessories that will allow you to further customize your fan.

We're certain that your Hampton Bay fan will provide you with many years of comfort, energy savings and satisfaction. To ensure your personal safety and to maximize the performance of your fan, please read this manual thoroughly.

Andross by Hampton Bay®

48 Andross

Ceiling Fan by Hampton Bay

Thank you for purchasing our ceiling fan. This product has been manufactured with the highest standards of safety and quality.

Date Purchased _____

Store Purchased _____

ETL Model No. 855 975

Serial No. _____

Vendor No. 445993

UPC 718212149393

Table of Contents

Safety Rules	1
Unpacking Your Fan	2
Installing Your Fan	3
Installing the Light Kit.	7
Operating Your Fan	9
Care of Your Fan	10
Troubleshooting	10
Specifications	11
Warranty Information	12

Safety Rules - Read and Save These Instructions

1. To reduce the risk of electric shock, insure electricity has been turned off at the circuit breaker or fuse box before beginning.
2. All wiring must be in accordance with the National Electrical Code “ANSI/NFPA 70-1999” and local electrical codes. Electrical installation should be performed by a qualified licensed electrician.
3. **WARNING:** To reduce the risk of electrical shock or fire, do not use this fan with any solid-state fan speed control device. It will permanently damage the electronic circuitry.
4. **CAUTION:** To reduce the risk of personal injury, use only the screws provided with the outlet box.
5. The outlet box and support structure must be securely mounted and capable of reliably supporting a minimum of 35 pounds. Use only UL Listed outlet boxes marked “**FOR FAN SUPPORT**”.
6. The fan must be mounted with a minimum of 7 feet clearance from the trailing edge of the blades to the floor.
7. Avoid placing objects in path of the blades.
8. To avoid personal injury or damage to the fan and other items, be cautious when working around or cleaning the fan.
9. Do not use water or detergents when cleaning the fan or fan blades. A dry dust cloth or lightly dampened cloth will be suitable for most cleaning.
10. After making electrical connections, spliced conductors should be turned upward and pushed carefully up into outlet box. The wires should be spread apart with the grounded conductor and the equipment-grounding conductor on one side of the outlet box and ungrounded conductor on the other side of the outlet box.
11. All set screws must be checked and retightened where necessary before installation.

WARNING

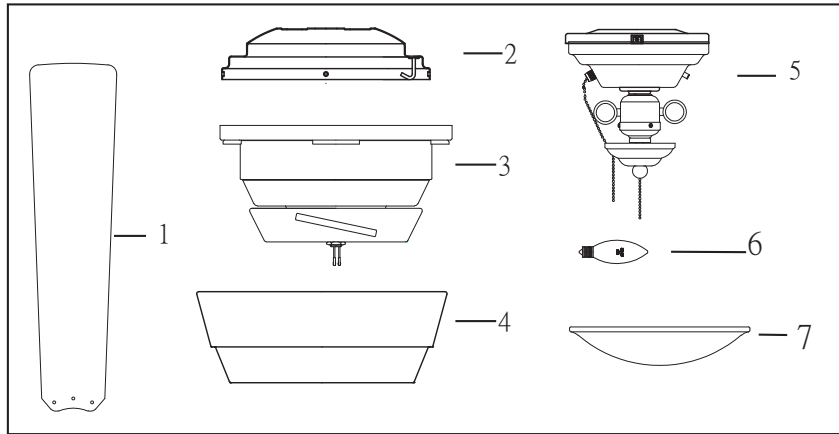
TO REDUCE THE RISK OF PERSONAL INJURY, DO NOT BEND THE BLADE ARMS (ALSO REFERRED TO AS FLANGES), WHEN INSTALLING THE BRACKETS, BALANCING THE BLADES OR CLEANING THE FAN. DO NOT INSERT FOREIGN OBJECTS IN – BETWEEN ROTATING FAN BLADES.

WARNING

TO REDUCE THE RISK OF FIRE, ELECTRIC SHOCK OR PERSONAL INJURY, MOUNT FAN TO OUTLET BOX MARKED ACCEPTABLE FOR FAN SUPPORT WITH THE SCREWS PROVIDED WITH THE OUTLET BOX.

Unpacking Your Fan

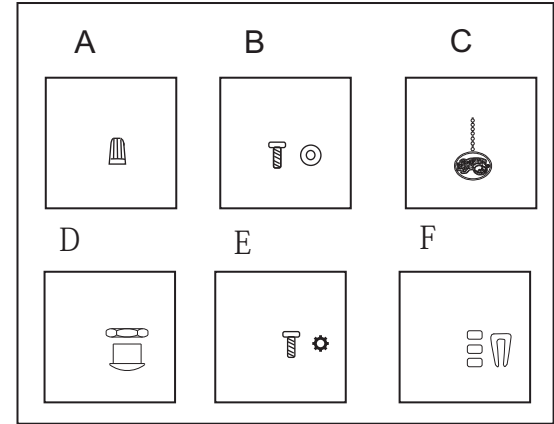
Unpack your fan and check the contents. You should have the following items:



- | | |
|--|-----------------------------|
| 1. Set of blades (5) | 6. 60W candelabra bulbs (2) |
| 2. Mounting bracket (1) | 7. Glass shade (1) |
| 3. Fan motor assembly (1) | |
| 4. Mounting housing (1) | |
| 5. Light kit with metal cap and finial (1) | |

WARNING

DO NOT INSTALL OR USE FAN IF ANY PART IS DAMAGED OR MISSING.
CALL TOLL FREE 1-800-527-0998.



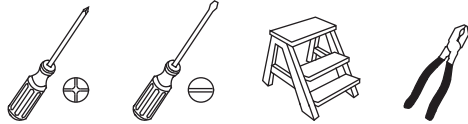
Loose parts bag containing:

- A. Mounting hardware
Plastic wire connectors (3pcs)
- B. Blade attachment hardware
3/16" x 12.7mm Screw (16pcs)
Fiber washer (16pcs)
- C. Pull chain fob (2pcs)
- D. Extra plug with nut (1)
- E. 3/16" x 9.5mm Tumbler bolts (4pcs) star washer (1)
- F. Balancing kit (1)

Installing Your Fan

Tools Required

Phillips screwdriver, straight slot screwdriver, step ladder and wire cutters.



Mounting Options

If there isn't an existing UL listed mounting box, then read the following instructions. Disconnect the power by removing fuses or turning off circuit breakers.

Secure the outlet box directly to the building structure. Use appropriate fasteners and building materials. The outlet box and its support must be able to fully support the moving weight of the fan (at least 35 lbs). Do not use plastic outlet boxes.

WARNING

TO REDUCE THE RISK OF FIRE, ELECTRIC SHOCK OR PERSONAL INJURY, MOUNT FAN ONLY TO AN OULET BOX MARKED ACCEPTABLE FOR FAN SUPPORT AND USE THE MOUNTING SCREWS PROVIDED WITH THE OULET BOX. OULET BOX COMMONLY USED FOR THE SUPPORT OF LIGHTING FIXTURE MAY NOT BE ACCEPTABLE FOR FAN SUPPORT AND MAY NEED TO BE REPLACED. CONSULT A QUALIFIED ELECTRICIAN IF IN DOUBT.

Figures 1~3 are examples of different ways to mount the outlet box.

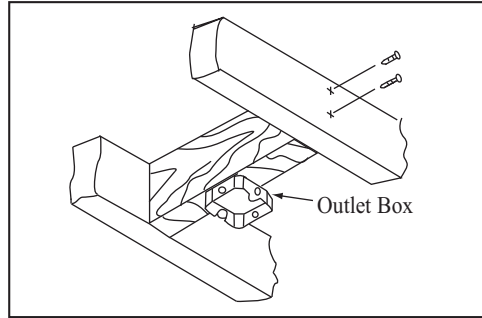


Figure 1

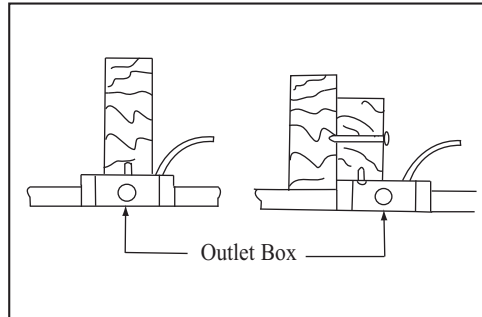


Figure 2

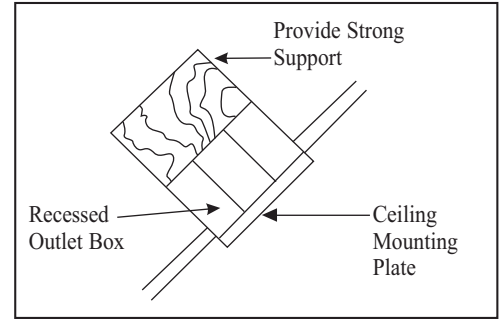


Figure 3

Note: You may need a longer downrod to maintain proper blade clearance when installing on a steep, sloped ceiling. The maximum angle allowable is 18°. If the canopy touches downrod, remove the decorative canopy bottom cover and turn the canopy 180° before attaching the canopy to the mounting plate.

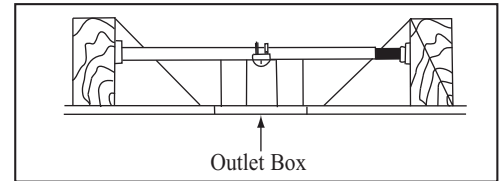


Figure 4

To hang your fan where there is an existing fixture but no ceiling joist, you may need an installation hanger bar as shown in Figure 4 (available at any Home Depot store).

Hanging the Fan

REMEMBER to turn off the power. Follow the steps below to hang your fan properly:

1. Attach the mounting bracket to the outlet box with two screws and washers provided with the outlet box. Make sure the bracket is tight and secured. (Figure 4)

2. Lift fan into position by hanging the motor assembly onto the "J" hook from the ceiling mounting bracket allowing it to hang freely. (Figure 5)

3. When the motor assembly is hung freely, please follow the electrical connection procedure to connect the fan wire.

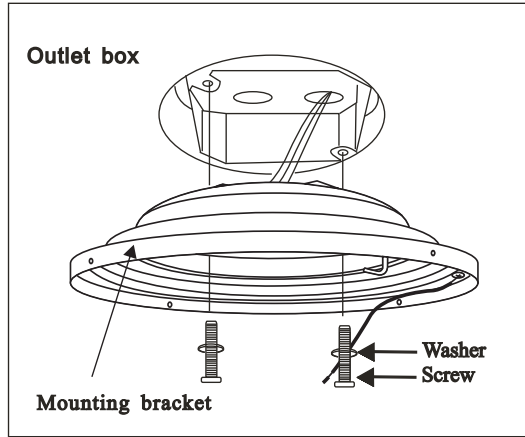


Figure 4

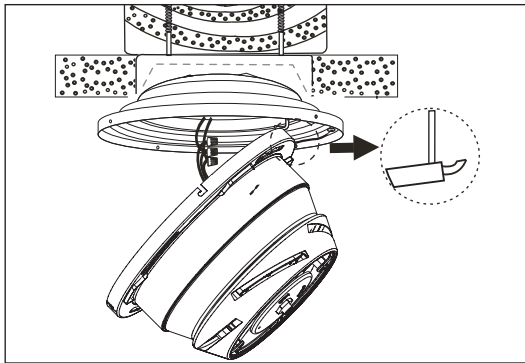


Figure 5

Electrical Connections

WARNING: To avoid possible electrical shock, be sure electricity is turned off at the circuit breaker or main fuse box before wiring.

Follow the steps below to connect the fan to your house supply wires. Secure the wire nuts supplied with your fan by wrapping the connections with electrical tape.

1. Connect the Black (hot) wire from the ceiling to the black and blue wires from the fan. Connect the white (neutral) wire from the ceiling to the white wire from the fan. (Figure 6)

2. If your outlet box has a ground wire (green or bare copper) connect the fan ground wire to it. If your outlet box does not have a ground wire, the connect the fans and mounting bracket wire together. Secure wire connection with the plastic wirenuts provided.

3. Figures 7 and 8 illustrate the wiring connections for optional wall control (available at your Hampton Bay Retailer, the wire color out of wall control's installation manual for correct wire connections).

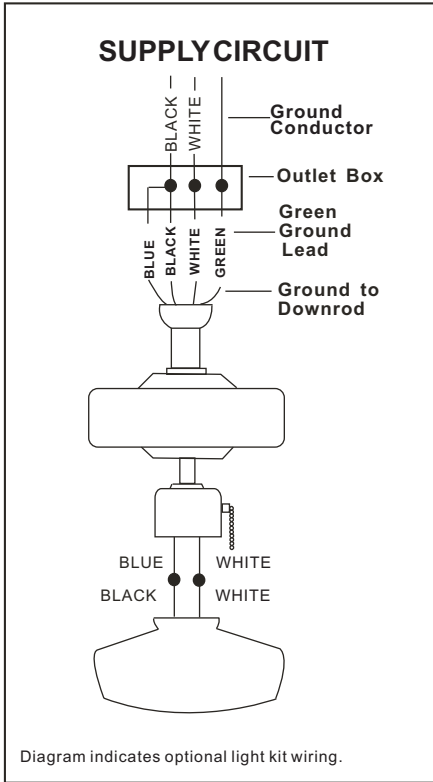


Figure 6

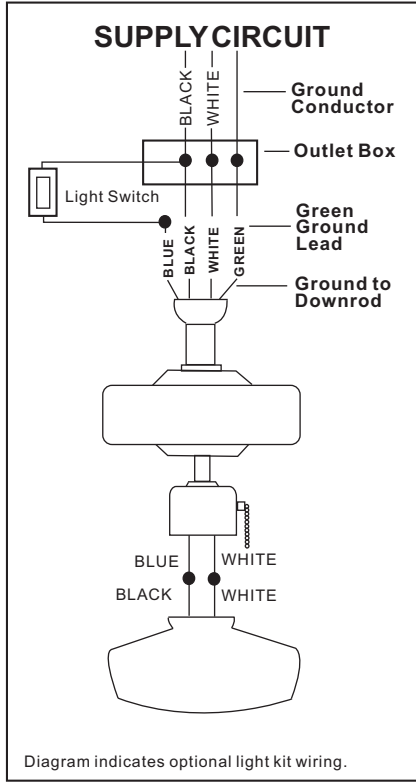


Figure 7

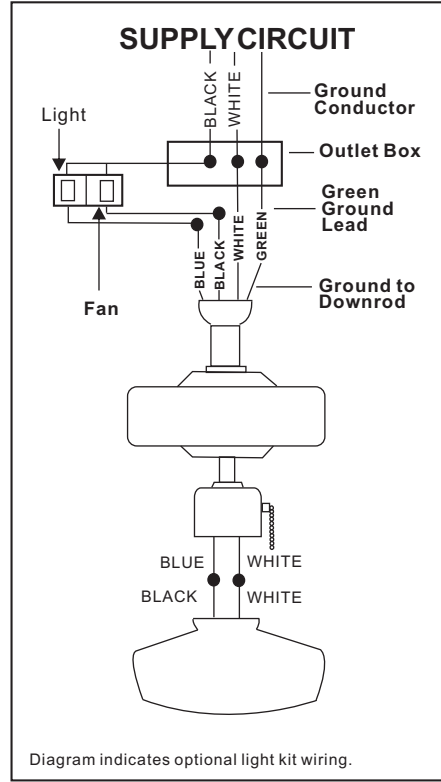


Figure 8

Finishing the Installation

1. Remove motor assembly from "J" hook. Attach 3 tumbler bolts (in the loose parts bag) to the mounting bracket, do not tighten. Align slotted holes on plate at top of motor assembly with 3 tumbler bolts on mounting bracket. Twist motor assembly to lock. (Figure 9)
2. Place the key hole, tighten the last one tumbler bolt, along with the star washer and tighten other 3 tumbler bolts securely. (Figure 9)
3. Align large screwheads at mounting housing with slotted holes in mounting bracket. Turn motor housing counterclockwise, to the LEFT, until it no longer turns. (Figure 10, 11)

NOTE

NOTE: YOU MAY THINK THAT YOU HAVE TURNED THE MOTOR HOUSING ENOUGH UPON FEELING IT STOP WHEN TURNING IT THE FIRST TIME, BUT THAT IS PROBABLY ONLY THE HALFWAY POINT AND IT IS EXTREMELY IMPORTANT THAT YOU MAKE SURE THAT YOU TURN THE MOTOR HOUSING ALL THE WAY TO ENSURE THAT THE MOTOR HOUSING IS COMPLETELY SECURE. TO DO THIS, WHEN YOU BEGIN TURNING THE MOTOR HOUSING TWO MORE INCHES (TO THE LEFT) SO THAT THE SCREWHEADS REACH THE END OF EACH SLOTTED HOLE, THERE BY REMAINING SECURE.

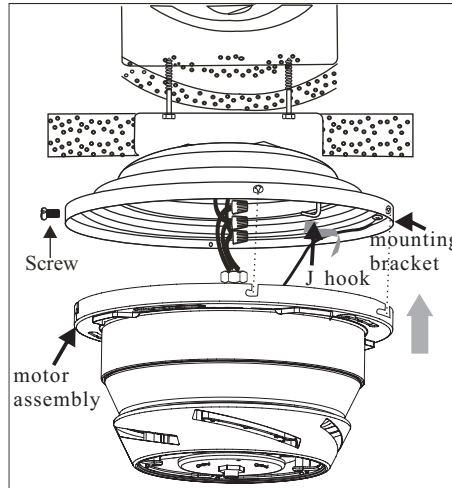


Figure 9

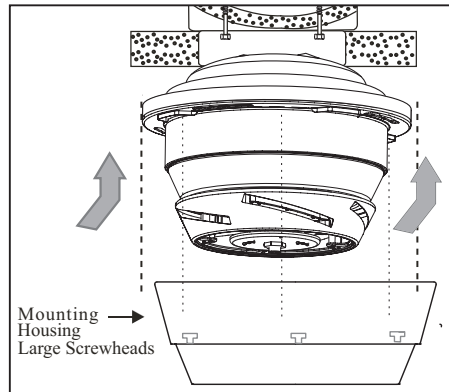


Figure 10

Blade Installation

1. Attach the fan blades to the motor assembly using the screws and fiber washer provided, tighten screws securely. (Figure 12)
2. Align motor holes to blade and secure with screws provided, tighten screws securely. Repeat procedure with remaining blades. (Figure 12)

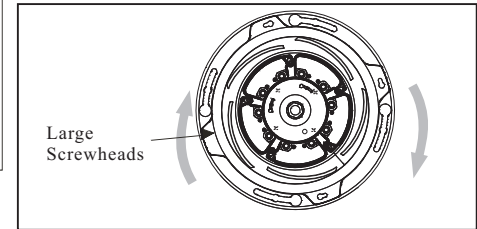


Figure 11

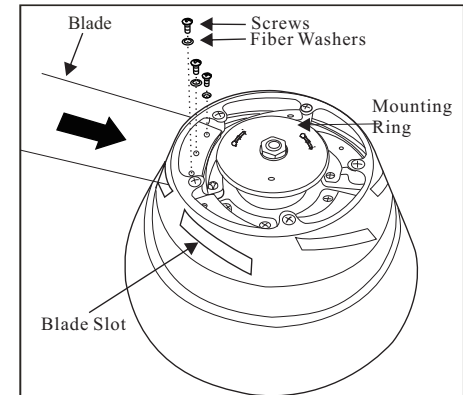


Figure 12

Blade Balancing

The following procedure should correct most fan wobble. Check after each step.

1. Check that all blades and blade holder screws are secure.

2. Most fan wobble problems are caused when blade levels are unequal. Check this level by selecting a point on the ceiling above the tip of one of the blades. Measure this distance as shown in Figure 13. Rotate the fan until the next blade is positioned for measurement. Repeat for each blade. The distance should be equal within 1/8". Run the fan for 10 Minutes.

3. Use the enclosed Blade Balancing Kit if the blade wobble is still noticeable.

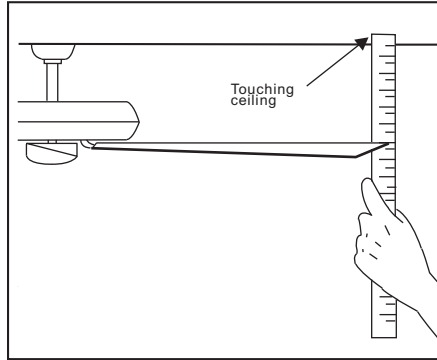


Figure 13

Installing the Mounting Plate

NOTE: Before starting installation, disconnect the power by turning off the circuit breaker or removing the fuse at fuse box.

1. Remove one of 3 screws and loosen other two screws on the mounting ring. (Figure 14)

2. Remove the mounting plate from the light kit by removing 4 screws (Keep them for future use).

3. Place the key holes on the mounting plate over the 2 screws previously loosened from the mounting ring, turn mounting plate until it locks in place at the narrow section of the key holes. Secure by tightening 2 screws previously loosened and the one previously removed. (Figure 14)

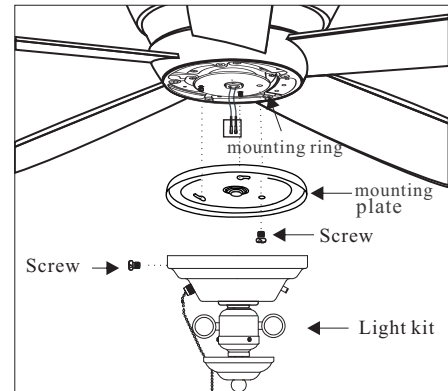


Figure 14

Installing the Light Kit Assembly

1. While holding the lightkit assembly under your fan, snap together the connection plugs.(Figure 15)
2. Carefully push all wires back into the switch housing, then install the light kit assembly onto the mounting plate with 4 screws previously removed in the process of installing the mounting plate. Be sure to tighten all screws. (Figure 15)
3. Install 2×60W candelabra bulbs (included).
4. Install the glass shade, along with rubber washer, metal washer, with metal nut; install the cap, then twist the finial tightly. (Figure 15)
5. Restore power and your light kit is ready for operations.

NOTE

MAKE SURE TO LEAVE ENOUGH SPACE BETWEEN THE FAN PULL CHAIN AND THE BULBS TO THE CHAIN DOESN'T RUB AGAINST ANY OF THE BULBS. LIGHT BULBS HAVE NO WARRANTY, THEY CAN BE PURCHASED AT LOCAL LIGHT BULB SPECIALTY STORE OR FROM OUR SERVICE CENTER.

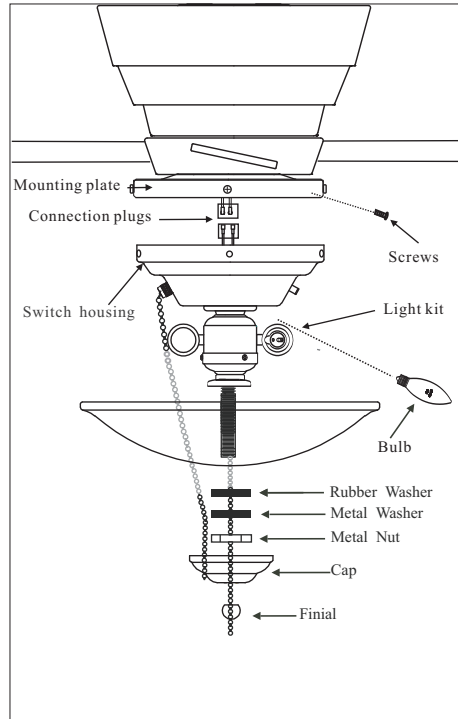


Figure 15

NOTE

LIGHT BULB HAVE NO WARRANTY, CAN BE PURCHASED AT LOCAL LIGHT BULB SPECIALTY STORE OR FROM OUR SERVICE CENTER.

Fan without Light Kit

1. Disassemble the switch housing from the light kit by loosening the nut at the switch cup (Keep the nut for future use).
2. Attach the extra plug to the switch housing with nut previously loosened and tighten securely. (Figure 16)
3. Holding the switch housing under your fan, snap together the wire connection plug.(Figure 16)
4. Install the switch housing to the mounting plate with the screws provided in the loose parts bag. (Figure16)

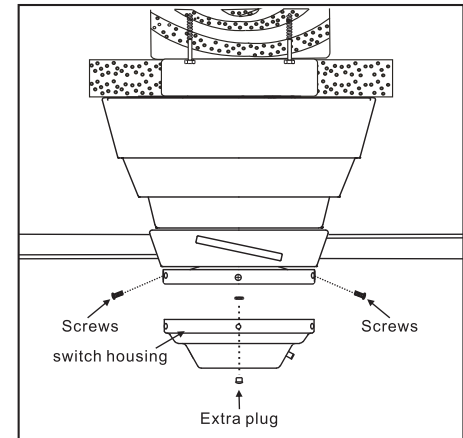


Figure 16

Operating Your Fan

NOTE

WAIT FOR FAN TO STOP BEFORE CHANGING THE SETTING OF THE SLIDE SWITCH.

Turn on the power and check the operation of your fan. There are three pull chains available in your fan:

1. 3-speed Pull chain-it controls the fan speed as follows: 1 pull- High, 2 pulls- Medium, 3 pulls- Low, and 4 pulls- Off.

Speed settings for warm or cool weather depend on factors such as the room size, ceiling height, number of fans, and so on.

2. Light kit pull chain-it controls the light kit in "ON" or "OFF".

The slide switch controls directions: forward (switch left) or reverse (switch right).

Warm weather - (Counter-Clockwise direction) A downward air flow creates a cooling effect.(Fig. 17) This allows you to set your air conditioner on a higher setting without affecting your comfort.

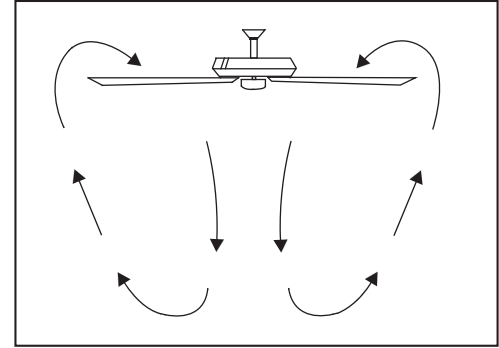


Figure 17

Cool weather - (Clockwise direction) An upward airflow moves warm air off the ceiling area. (Fig. 18) This allows you to set your heating unit on a lower setting without affecting your comfort.

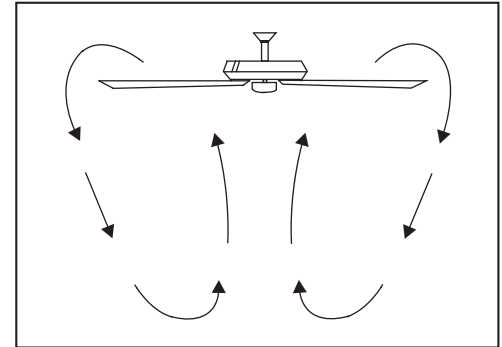


Figure 18

Care of Your Fan Troubleshooting

Here are some suggestions to help you maintain your fan.

1. Because of the fan's natural movement, some connections may become loose. Check the support connections, brackets, and blade attachments twice a year. Make sure they are secure. (It is not necessary to remove fan from ceiling.)
2. Clean your fan periodically to help maintain its new appearance over the years. Do not use water when cleaning. Use only a soft brush or lint-free cloth to avoid scratching the finish. The plating is sealed with a lacquer to minimize discoloration or tarnishing. Do not use water when cleaning. This could damage the motor, or the wood, or possibly cause an electrical shock.
3. You can apply a light coat of furniture polish to the wood blades for additional protection and enhanced beauty. Cover small scratches with a light application of shoe polish.
4. There is no need to oil your fan. The motor has permanently lubricated sealed ball bearings. 1. 2. 3. 4.

For any additional information on your Hampton Bay Ceiling Fan, please write to:

THE HAMPTON BAY FAN & LIGHTING CO.
P. O. Box 395
Norco, CA 92860

CALL TOLL FREE 1-800-527-0998

PROBLEM SOLUTION

Fan will not start

1. Check main and branch circuit fuses or breakers.
2. Check line wire connections to the fan and switch wire connections in the switch housing.
3. Check to make sure the dip switches from the transmitter and receiver are set to the same frequency.

Fan sounds noisy

1. Make sure all motor housing screws are snug.
2. Make sure the screws that attach the fan blade bracket to the motor hub is tight.
3. Make sure wire nut connections are not rattling against each other or the interior wall of the switch housing.
4. Allow a 24-hour "breaking-in" period. Most noises associated with a new fan disappear during this time.
5. If using ceiling fan light kit, make sure the screws securing the glassware are tight. Check that the light bulb is also secure.
6. Make sure there is a short distance from the ceiling to the canopy. It should not touch the ceiling.
7. Make sure your ceiling box is secure and rubber isolator pads are used between mounting bracket and outlet box.

Lights shut off and will not come back on.

1. This unit is equipped with a wattage limiting device. Lamping in excess of 190 watts will disable your ceiling fan's light kit. To reset your light kit you must turn the power off and relamp, keeping the wattage under 190 watts. Restore power to your ceiling fan and continue normal operation.

Remote control

1. Do not connect the fan with a wall mounted variable speed control(s).
2. Make sure the dip switches are set correctly.

WARNING

MAKE SURE THE POWER IS OFF AT THE ELECTRICAL PANEL BOX BEFORE YOU ATTEMPT ANY REPAIRS. REFER TO THE SECTION, "MAKING ELECTRICAL CONNECTIONS".

Specifications

FAN SIZE	SPEED	VOLTS	AMPS	WATT S	RPM	CFM	N.W.	G.W.	C.F.
48	LOW		0.237	10.8	85	1594.50	8.34 (18.39lbs)	10.5kgs (23.15lbs)	2.22
	MED		0.356	28.1	143	2881.84			
	HIGH		0.441	51.8	196	4260.95			

These are approximate measures. They do not include Amps and Wattage used by the light kit.

Distributed by
Home Depot U.S.A., Inc.
2455 Paces Ferry Rd., N.W.
Atlanta, GA 30339

Lifetime Limited Warranty

(lifetime warranty on motor)

The Hampton Bay warrants the fan motor to be free from defects in workmanship and material present at time of shipment from the factory for a period of lifetime after the date of purchase by the original purchaser. Hampton Bay also warrants that all other fan parts, excluding any glass or acrylic blades, to be free from defects in workmanship and material at the time of shipment from the factory for a period of one year after the date of purchase by the original purchaser. We agree to correct such defects without charge or at our option replace with a comparable or superior model if the product is returned to Hampton Bay. To obtain warranty service, you must present a copy of the receipt as proof of purchase. All costs of removing and reinstalling the product are your responsibility. Damage to any part such as by accident or misuse or improper installation or by affixing any accessories, is not covered by this warranty. Because of varying climatic conditions this warranty does not cover any changes in brass finish, including rusting, pitting, corroding, tarnishing or peeling. Brass finishes of this type give their longest useful life when protected from varying weather conditions. A certain amount of “wobble” is normal and should not be considered a defect. Servicing performed by unauthorized persons shall render the warranty invalid. There is no other express warranty. Hampton Bay hereby disclaims any and all warranties, including but not limited to. Those of merchantability and fitness for a particular purpose to the extent permitted by law. The duration of any implied warranty which cannot be disclaimed is limited to the time period as specified in the express warranty. Some states do not allow limitation on how long an implied warranty lasts, so the above limitation may not apply to you. The retailer shall not be liable for incidental, consequential, or special damages arising out of or in connection with product use or performance except as may otherwise be accorded by law. Some states do not allow the exclusion of incidental or consequential damages, so the above exclusion or limitation may not apply to you. This warranty gives specific legal rights, and you may also have other rights which vary from state to state. This warranty supersedes all prior warranties. Shipping costs for any return of product as part of a claim on the warranty must be paid by the customer.

You must present a copy of the original purchase receipt to obtain warranty service.

For any additional information on your Hampton Bay Ceiling Fan, please write to:

THE HAMPTON BAY FAN &
LIGHTING CO.
P. O. Box 395
Norco, CA 92860

Attach receipt here for easy
location