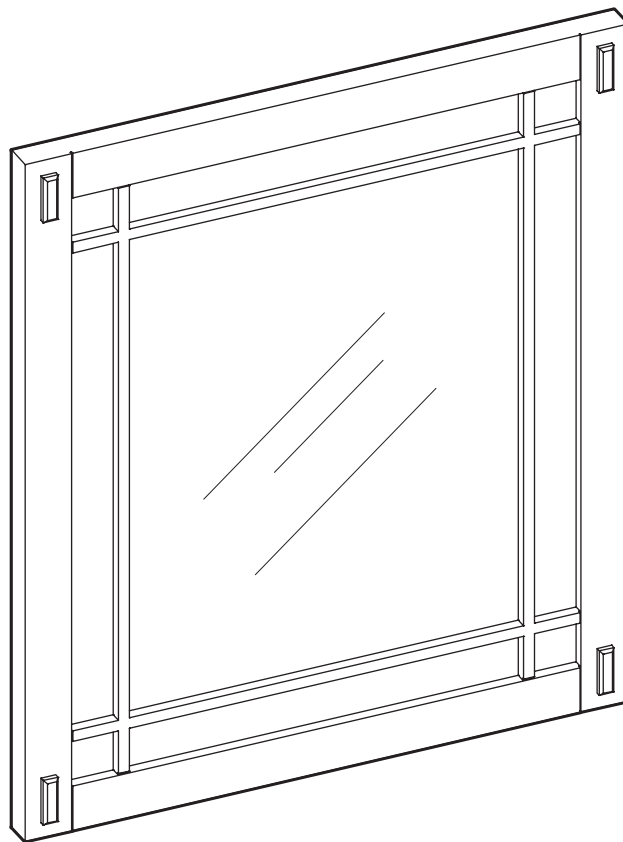


USE AND CARE GUIDE

ARTISAN 25.5 INCH FRAMED SINGLE WALL MIRROR



Questions, problems, missing parts? Before returning to the store,
call Home Decorators Collection Customer Service
8 a.m. - 7 p.m., EST, Monday - Friday, 9 a.m.- 6 p.m., EST, Saturday

1-800-986-3460

HOMEDEPOT.COM/HOMEDECORATORS

THANK YOU


We appreciate the trust and confidence you have placed in Home Decorators Collection through the purchase of this mirror. We strive to continually create quality products designed to enhance your home. Visit us online to see our full line of products available for your home improvement needs. Thank you for choosing Home Decorators Collection!

Table of Contents

Safety Information	2	Installation	4
Warranty	2	Maintenance	4
Pre-Installation	3	Care and Cleaning	4

Safety Information

- Read and understand these instructions before attempting to install or use this product.

 **NOTE:** Handle with care. Do not drop or handle roughly, as this could damage the mirror.

Warranty

This mirror product comes with a manufacture Limited Lifetime Warranty. The warranty applies to the original purchaser of the mirror and guarantees that the surface will not wear through or peel off. Installation of the product confirms your acceptance of the product. Failure to follow Pre-Installation and Installation guidelines will void the warranty. The warranty does not cover damage from improper use, care or maintenance, including scratching, exposure to moisture and humidity, water damage, denting, fading, or staining.

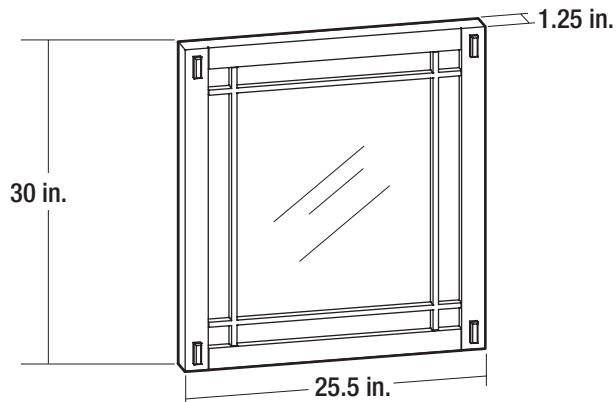
Contact the Customer Service Team at 1-800-986-3460 or visit www.HOMEDEPOT.com/HOMEDECORATORS.

Pre-Installation

PLANNING INSTALLATION

Check the mirror for damage before installation. If any part of the mirror is missing or damaged, contact the Customer Service Team at 1-800-986-3460.

DIMENSIONS



TOOLS REQUIRED



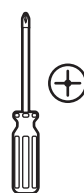
Safety goggles



Level



Drill




Phillips screwdriver



Pencil

HARDWARE INCLUDED

 **NOTE:** Hardware not shown to actual size.



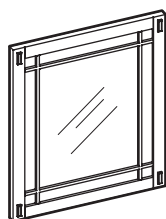
AA



BB

Part	Description	Quantity
AA	Plastic Anchor	2
BB	Screw	2

PACKAGE CONTENTS



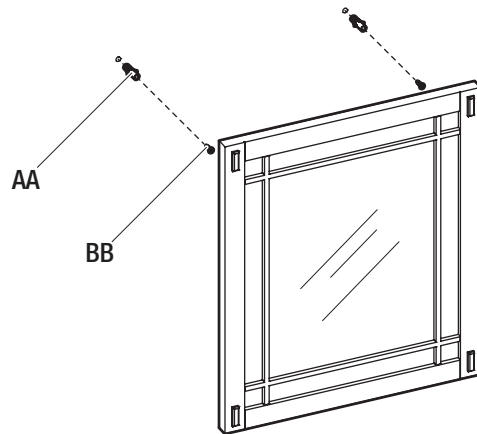
A

Part	Description	Quantity
A	Mirror	1

Installation

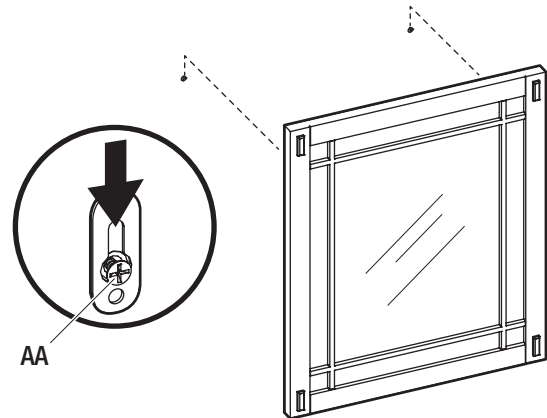
1 Installing the screws

- Drill two holes in the wall at the desired hanging location. Ensure that the holes are level.
- Insert the plastic anchors (AA) into the holes.
- Install the screws (BB) into the anchors. Ensure that 3 mm of each screw remains exposed.



2 Hanging the mirror

- Line up the hole at the bottom of the hanging hardware on the back of the mirror with each screw (AA).
- Gently lower the mirror to rest on the screws (AA).



Maintenance

- If your furniture is stained or otherwise damaged during use, contact a professional for repairs.

Care and Cleaning

- Use glass cleaner to clean the mirror.
- Use of furniture polishes is not necessary. Should you choose to use polishes, test the polish in an inconspicuous area before using over the entire surface of the product.
- Using solvents of any kind on your furniture may damage the finish.
- Never use water to clean your furniture as it may cause damage to the finish.
- Use care as stains or marks from crayons or ink markers will be difficult to remove.

HOME DECORATORS COLLECTION

Questions, problems, missing parts? Before returning to the store,
call Home Decorators Collection Customer Service
8 a.m. - 7 p.m., EST, Monday - Friday, 9 a.m.- 6 p.m., EST, Saturday

1-800-986-3460

HOMEDEPOT.COM/HOMEDECORATORS

Retain this manual for future use.