

SPEAKMAN® SM-8030-P

Rainier Shower Combination

FEATURES:

- Rainier Shower Head S-3018
- Arm and Flange S-2550
- Rainier Pressure Balance Valve and Trim SM-8000-P
- Rainier Diverter Tub Spout S-1564
- 2.5 gpm (9.5 L/min) flow rate

FINISH:



PC

COMPLIANCE:

- ASME A112.18.1/CSA B125.1 certified

MODELS:

- ❑ SM-8030-P: with S-1564 diverter tub spout
- ❑ SM-8010-P: without S-1564 diverter tub spout

WARRANTY:

- Consumer Shower Head: Limited Lifetime Warranty
- Commercial Shower head: 1 Year Limited
- Valve: 5 Year Limited
- Accessories: 1 Year Limited

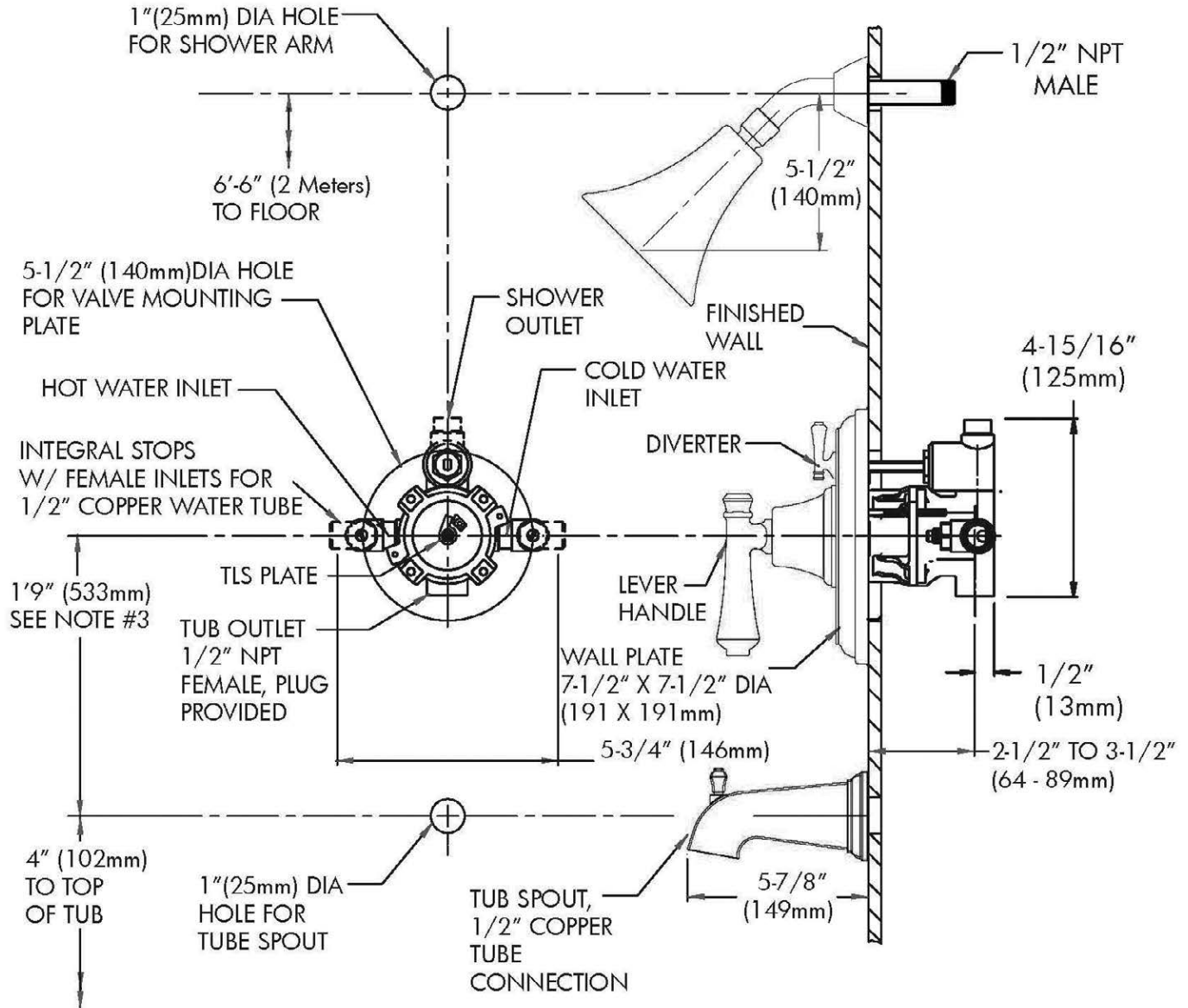


Architect/Engineer Approval Space:

SPEAKMAN
400 ANCHOR MILL ROAD
NEW CASTLE, DE 19720

P: 800-537-2107
F: 800-977-2747
W: WWW.SPEAKMAN.COM
R: AUGUST 2016

DIMENSIONS: NOTE: 1. All dimensions are in inches (millimeters) unless otherwise specified and are subject to change without notice. 2. Unless otherwise specified, all inlets and outlets are 1/2" female copper sweat. 3. For ADA mounting locations, consult ADAAG, ANSI A117.1, or static regulations. Contractor pack valves & trim kits available.



Architect/Engineer Approval Space:

SPEAKMAN
400 ANCHOR MILL ROAD
NEW CASTLE, DE 19720

P: 800-537-2107
F: 800-977-2747
W: WWW.SPEAKMAN.COM
R: AUGUST 2016