

# Granada 4 and 5 Bath

BA1047, BA1048 1.0



Wall

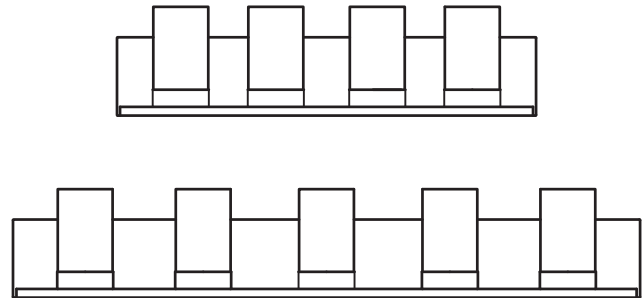
## GENERAL PRODUCT INFORMATION:

These fixtures are intended to be installed utilizing NEC compliant junction boxes.



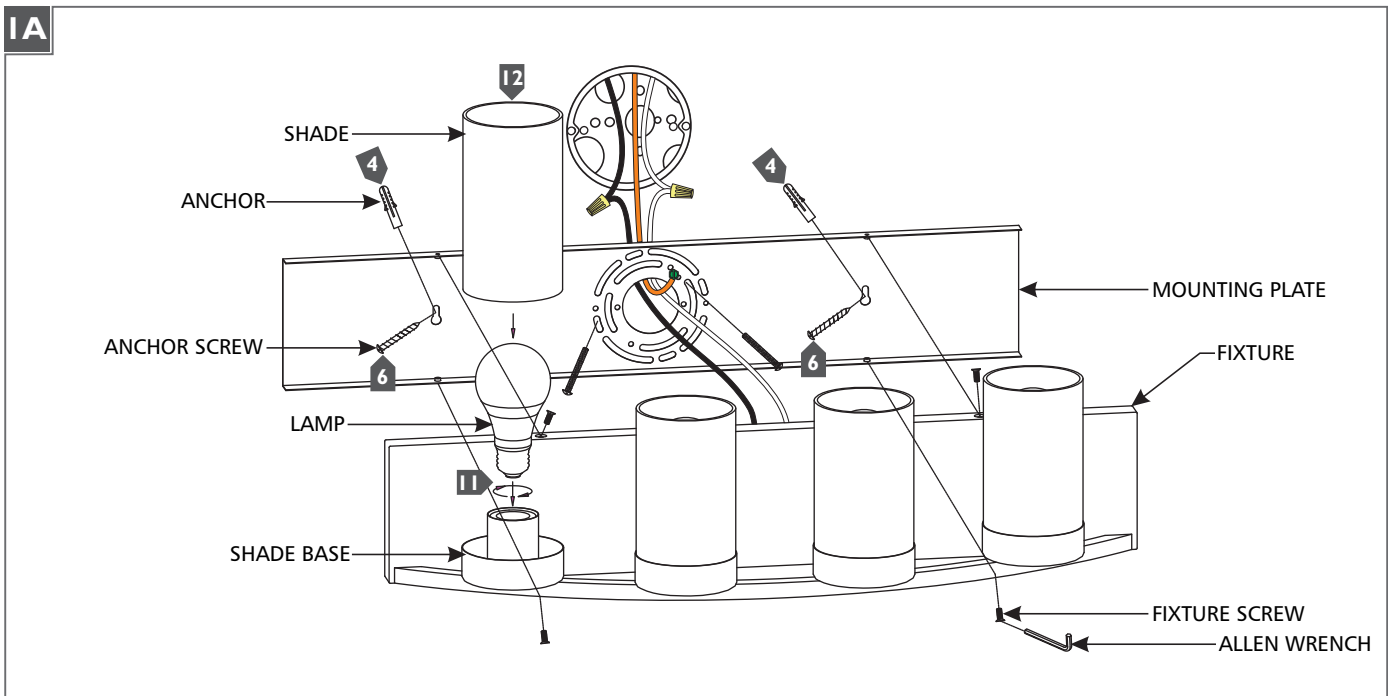
This product is suitable for damp locations.

Incandescent lamps may be dimmed with a standard incandescent dimmer. LED lamps may be dimmed with a LED dimmer. Consult lamp manufacturer for additional information.



**CAUTION - RISK OF FIRE**  
 This product must be installed in accordance with the applicable installation code by a person familiar with the construction and operation of the product and the hazards involved.  
 Use minimum 90°C supply conductors.

## Install the Fixture



- 1** Remove the fixture screws located on the top and bottom of the fixture base using the provided Allen Wrench, then remove the mounting plate from the fixture base.
- 2** Temporarily install the mounting plate to the electrical box using the two #8-32 screws provided.
- 3** Mark the anchor hole locations through the mounting plate, then remove the mounting plate.
- 4** Drill appropriately sized holes at the marked locations and install the anchors.
- 5** Install the mounting plate onto the electrical box with the two #8-32 screws provided.
- 6** Screw the anchor screws into the anchors.
- 7** Connect the fixture to suitable ground in accordance with local electrical codes.
- 8** Connect the white fixture wire to the neutral power line wire with a wire nut.
- 9** Connect the black fixture wire to the hot power line wire with a wire nut.
- 10** Properly place all wires and wire nut connections into the electrical box, mount the fixture back onto the mounting plate, and reinstall fixture screws (reversal of step 1A).
- 11** Screw the lamps into the sockets. Refer to the label on the socket for Max Wattage information.
- 12** Install the shades by placing them over the sockets and into the shade bases.

**SAVE THESE INSTRUCTIONS!**

**LBL**

7400 Linder Ave, Skokie, IL 60077

800.323.3226 - 847.626.6300

**[www.lblighting.com](http://www.lblighting.com)**

© 2018 LBL Lighting. All rights reserved. The "LBL Lighting" graphic is a registered trademark of LBL Lighting. LBL Lighting reserves the right to change specifications for product improvements without notification.

A Generation Brands Company