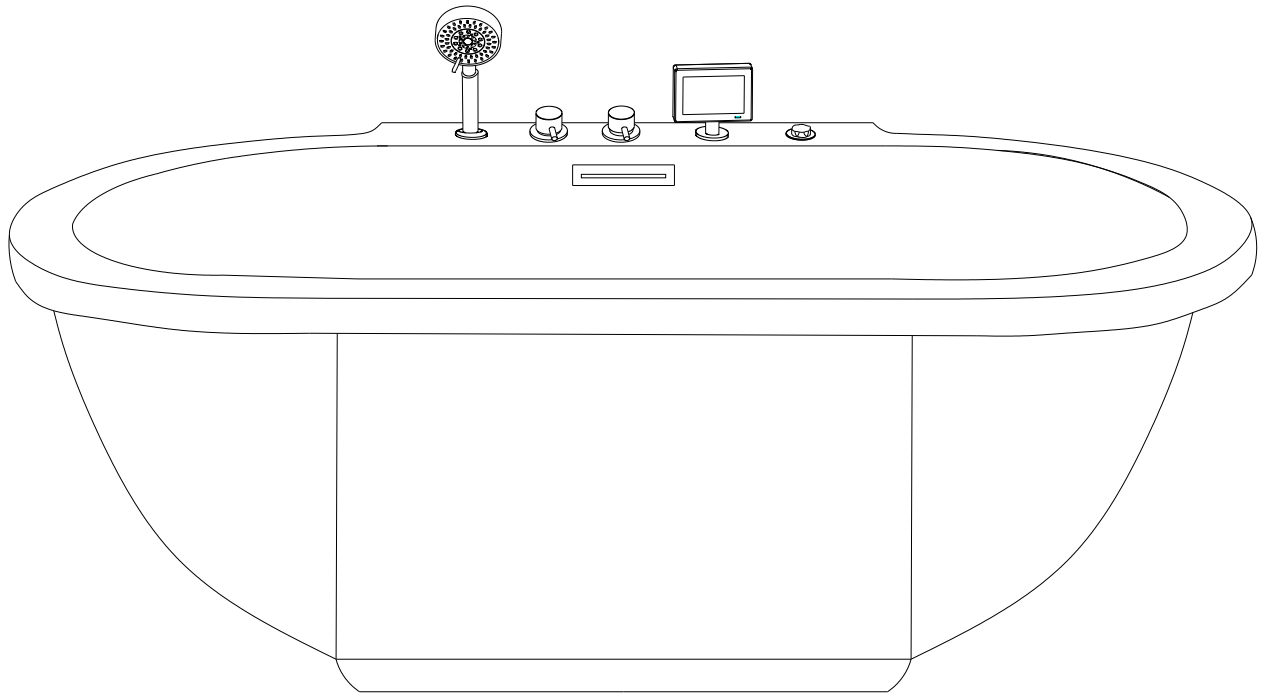


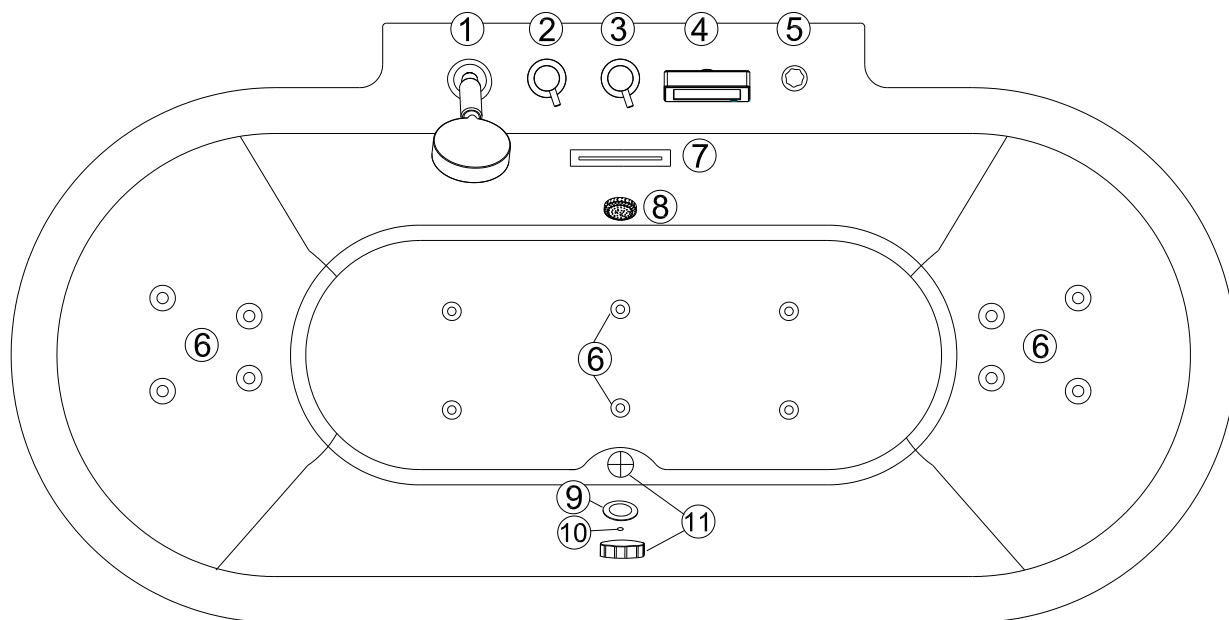
ARIEL

Whirlpool Installation Manual

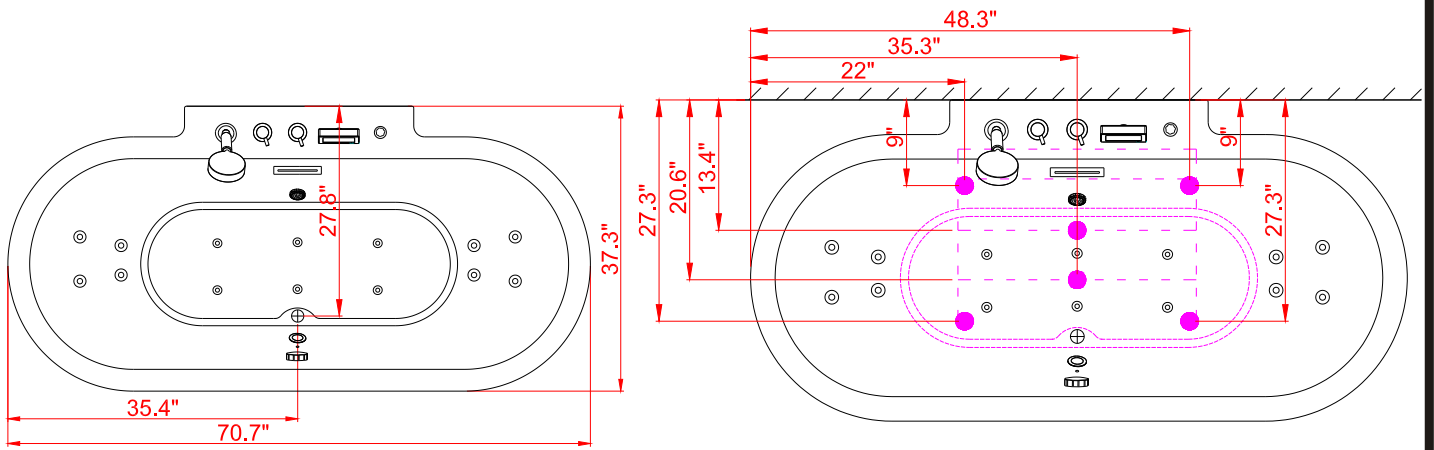
ARIEL
AM128



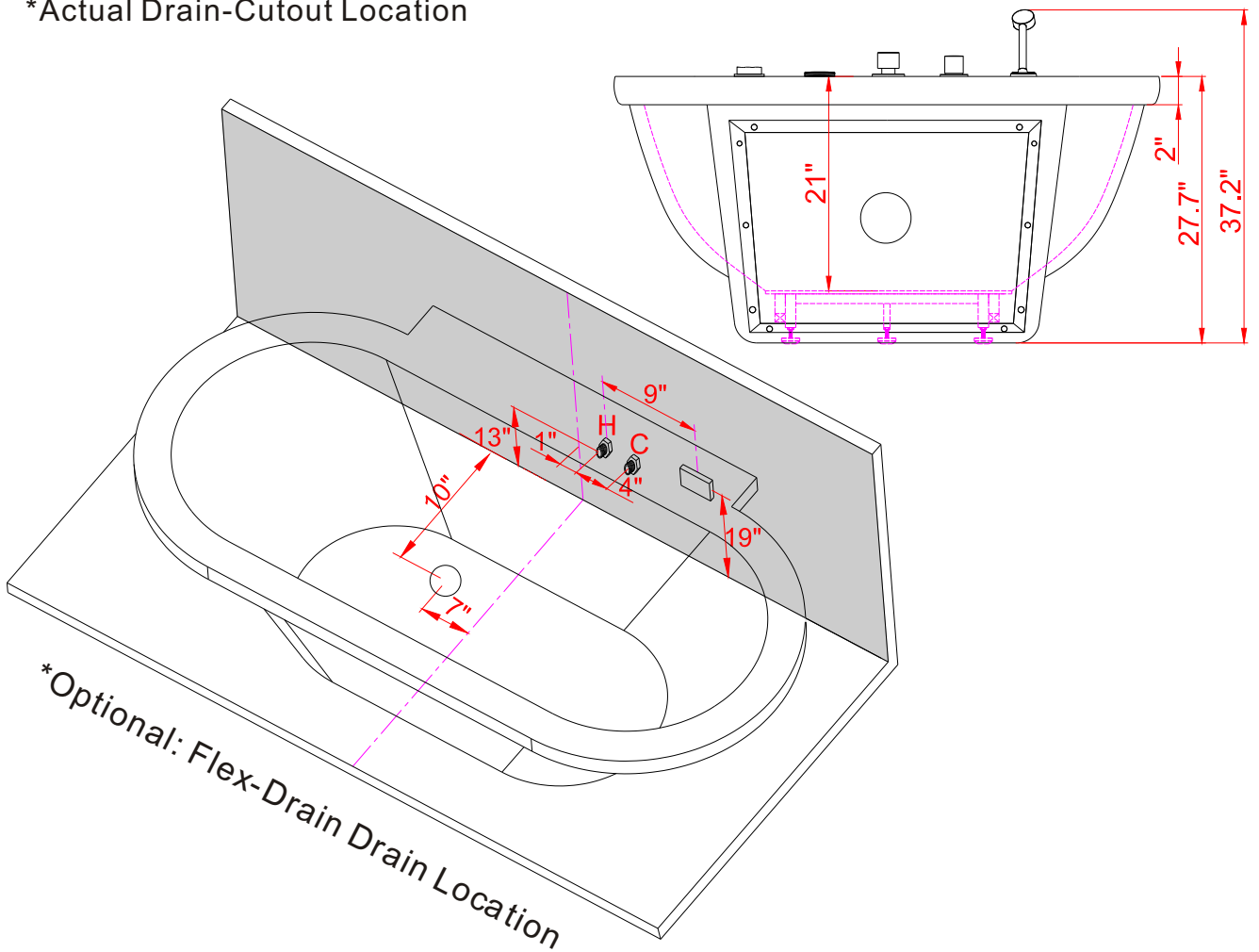
Serial Number:



Nr.	EN	Nr.	EN
1	Hand Shower	7	Waterfall
2	Function Switch	8	Suction
3	On/Off Water Valve & Mixer	9	LED Underwater Light
4	Control Panel	10	Sensor
5	Air Regulator	11	Drainer
6	Jet		



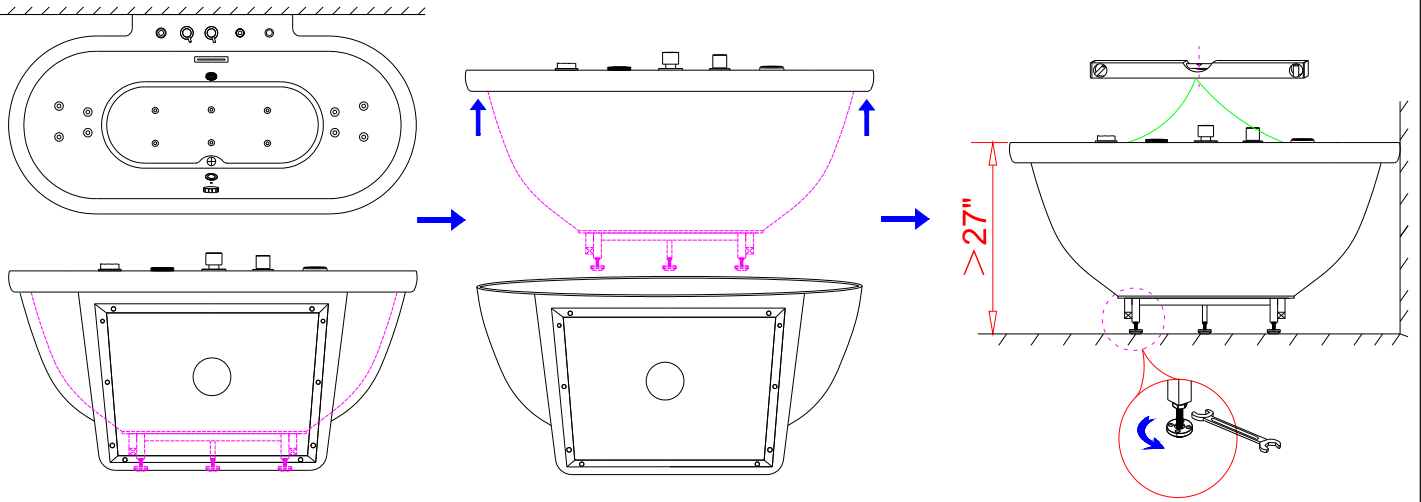
*Actual Drain-Cutout Location



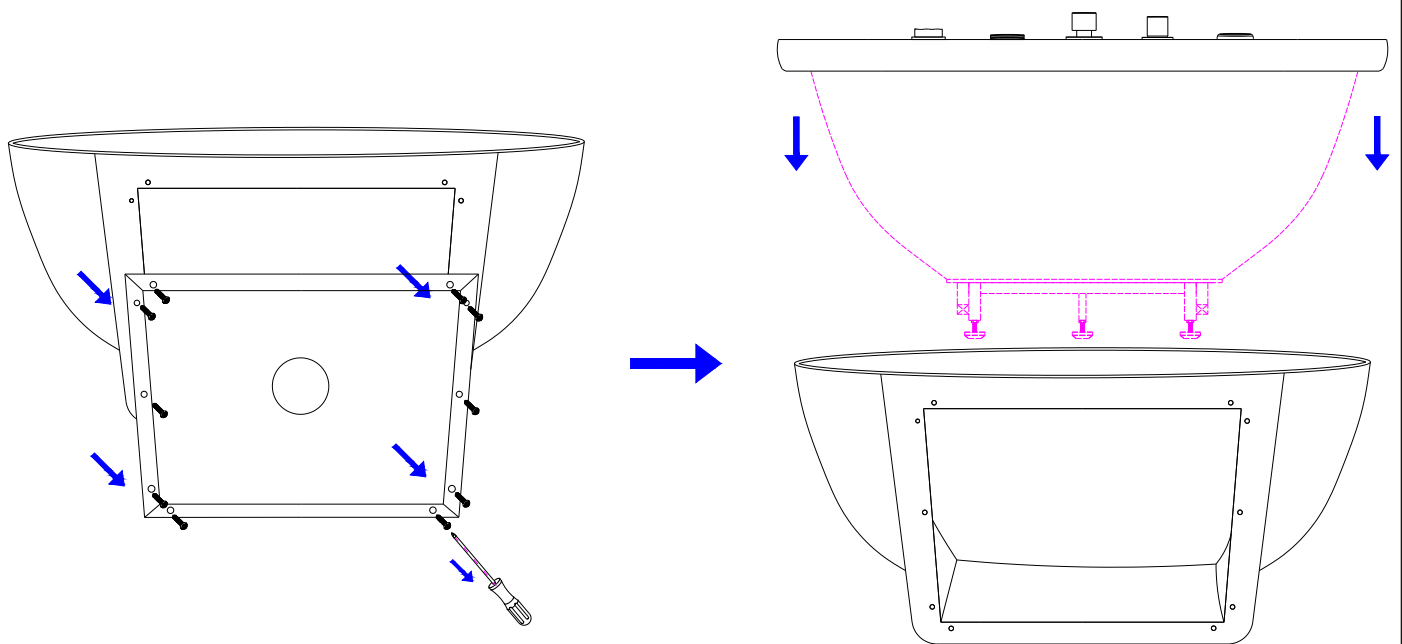
*Optional: Flex-Drain Drain Location

All measurements are given in Inches
 Designs and sizes can vary. We accept no liability for errors,
 manufacturing tolerance and product changes.

1

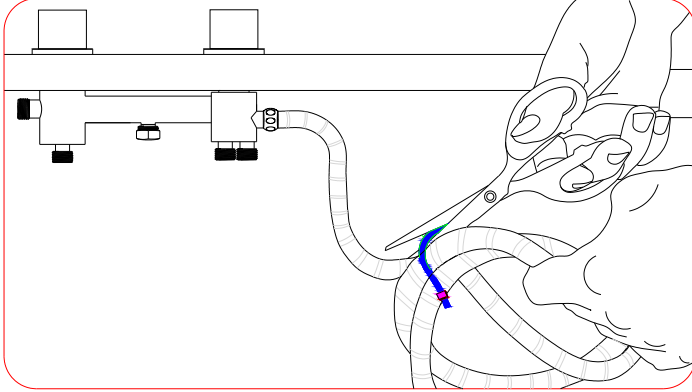


2

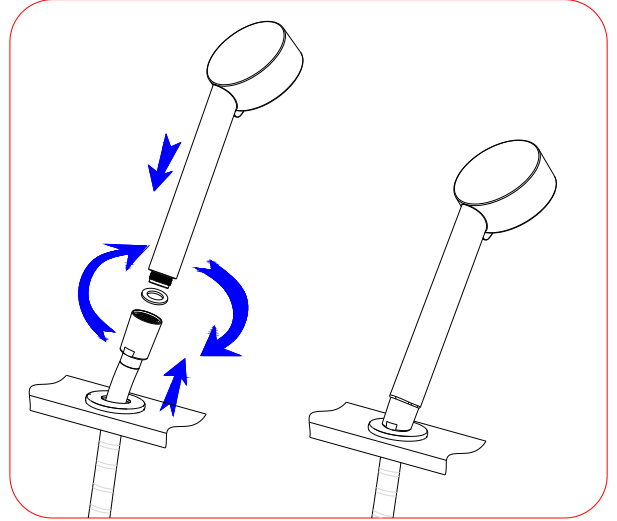


3

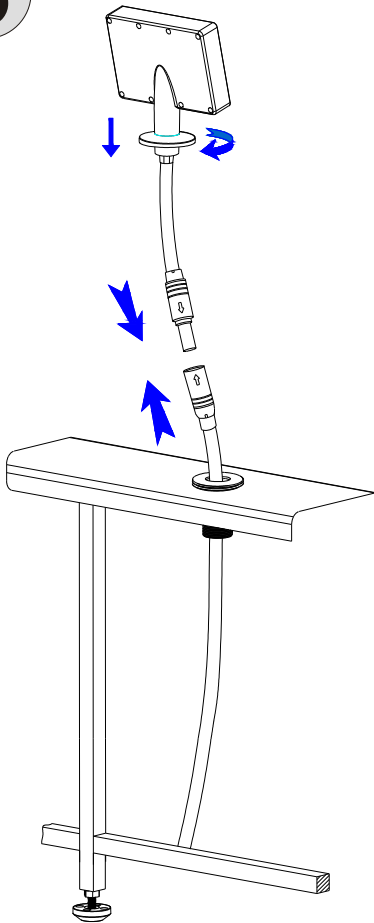
3



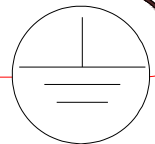
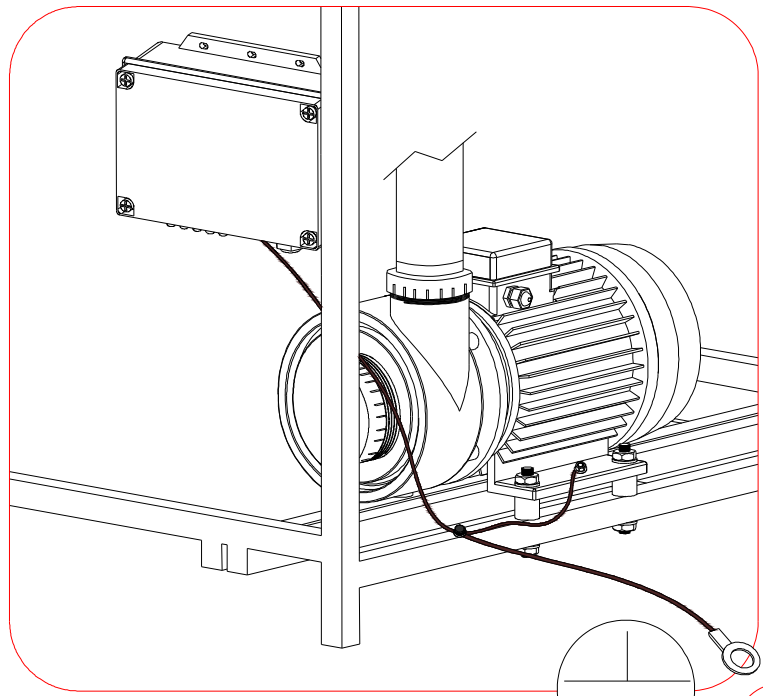
4



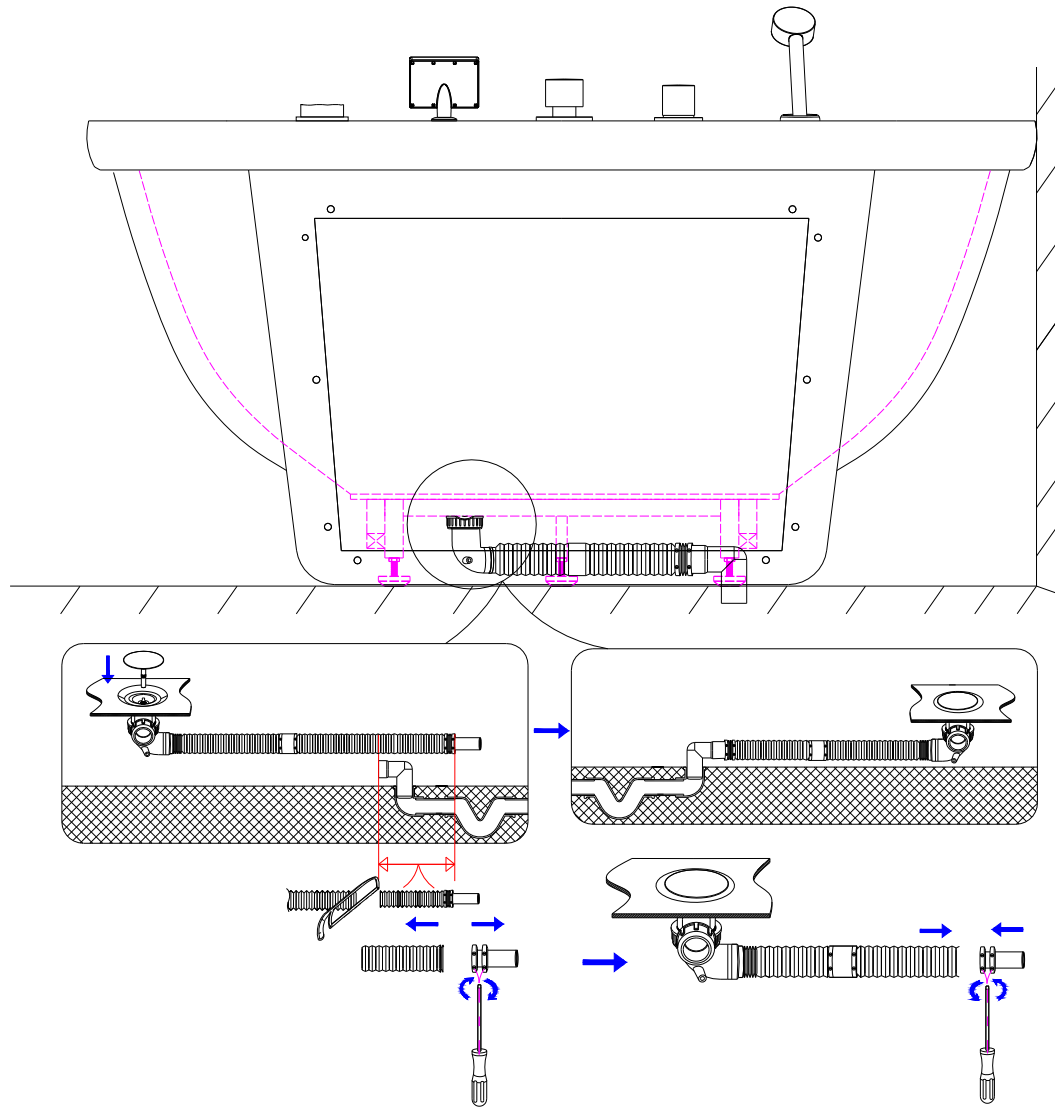
5



6

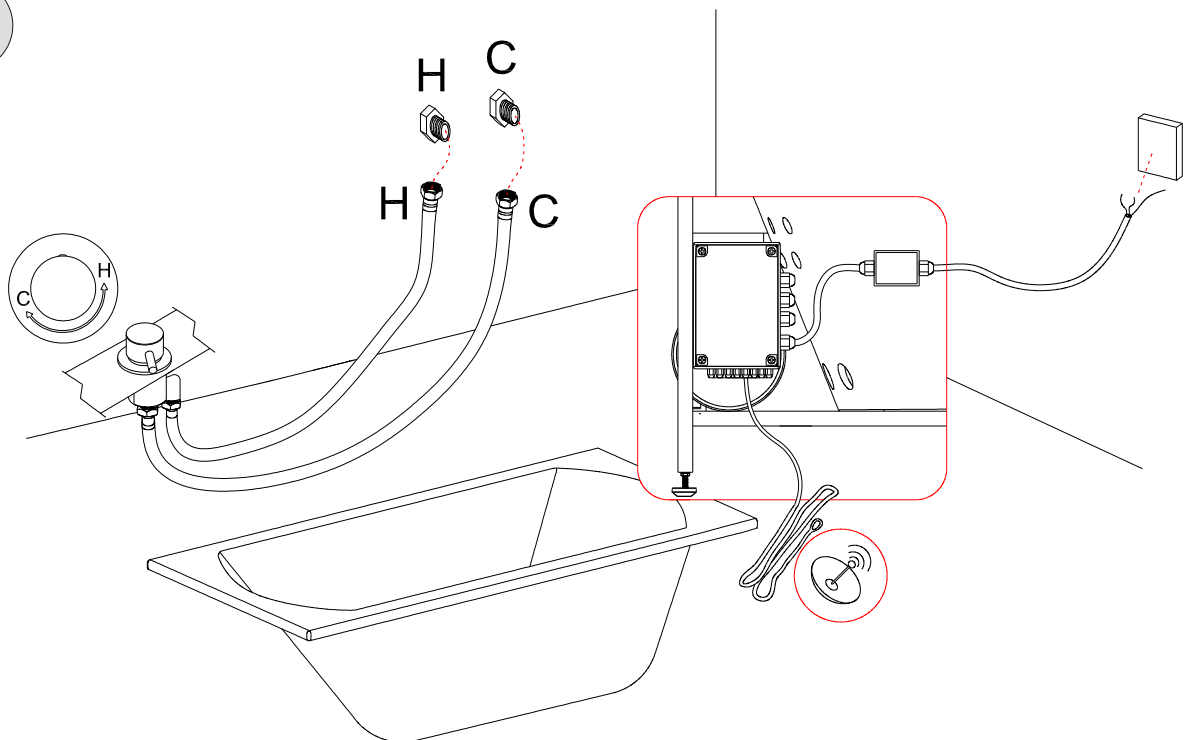


7

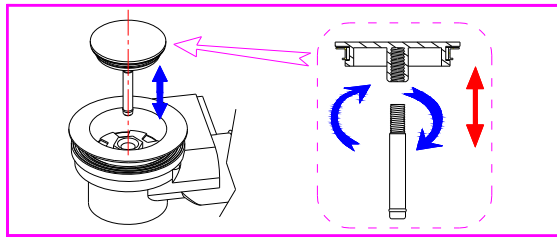
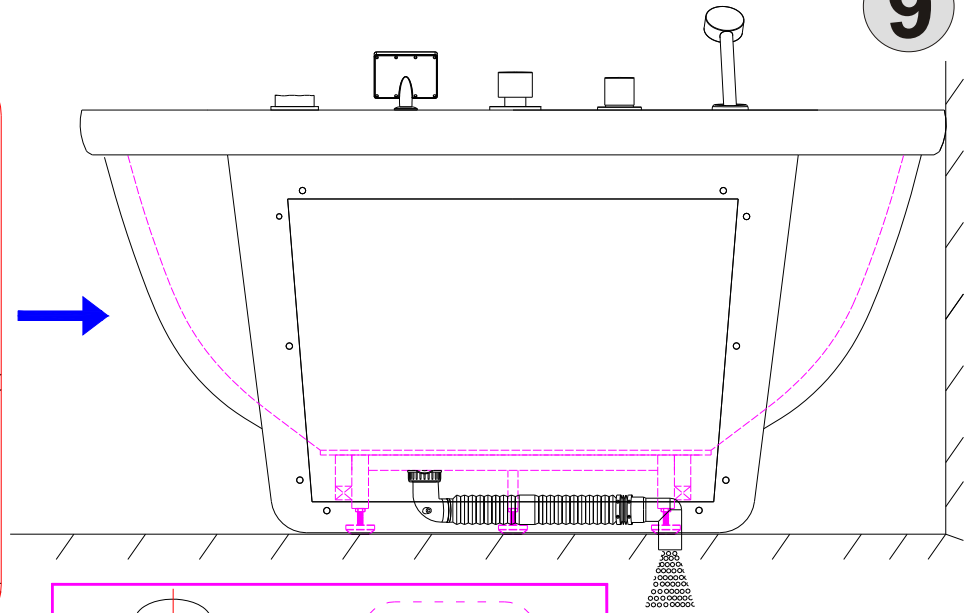
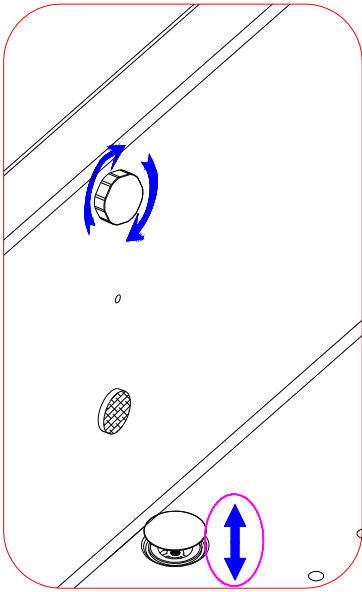


*Some optional features maybe shown: Flex-Drain Hose

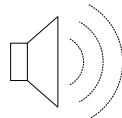
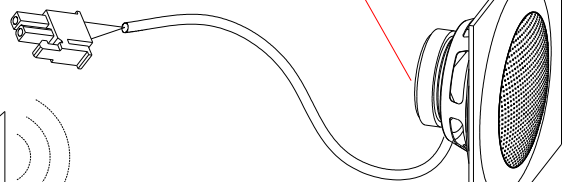
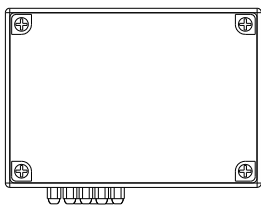
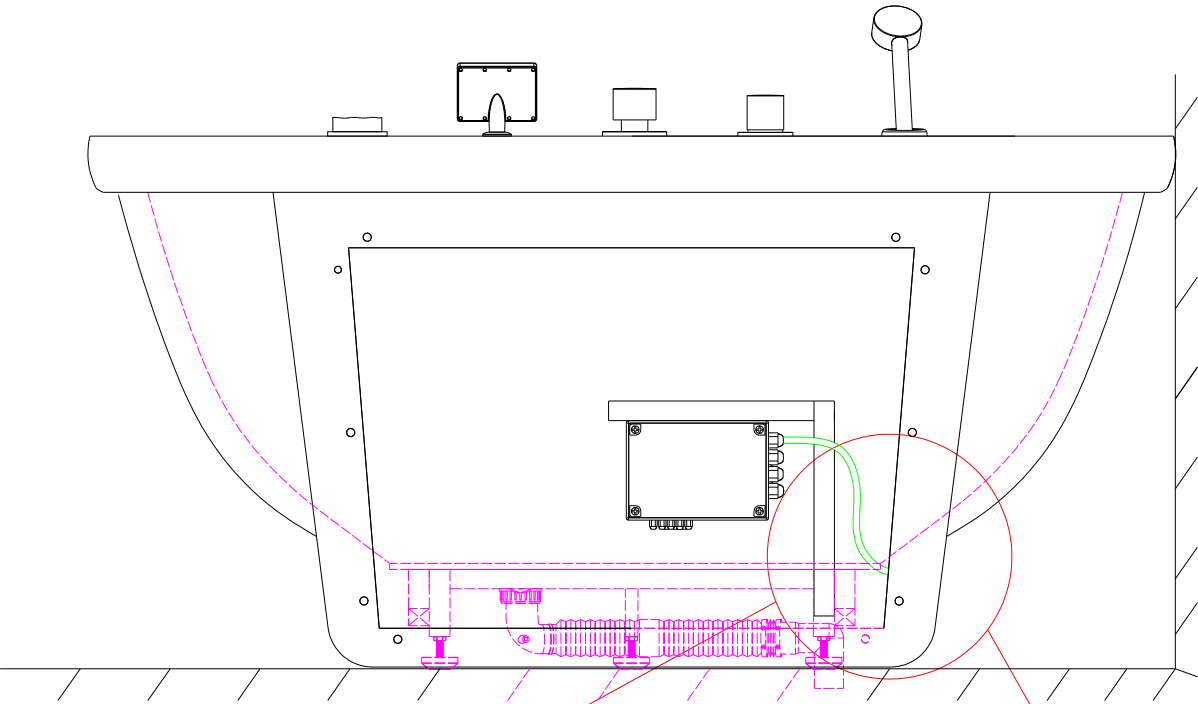
8



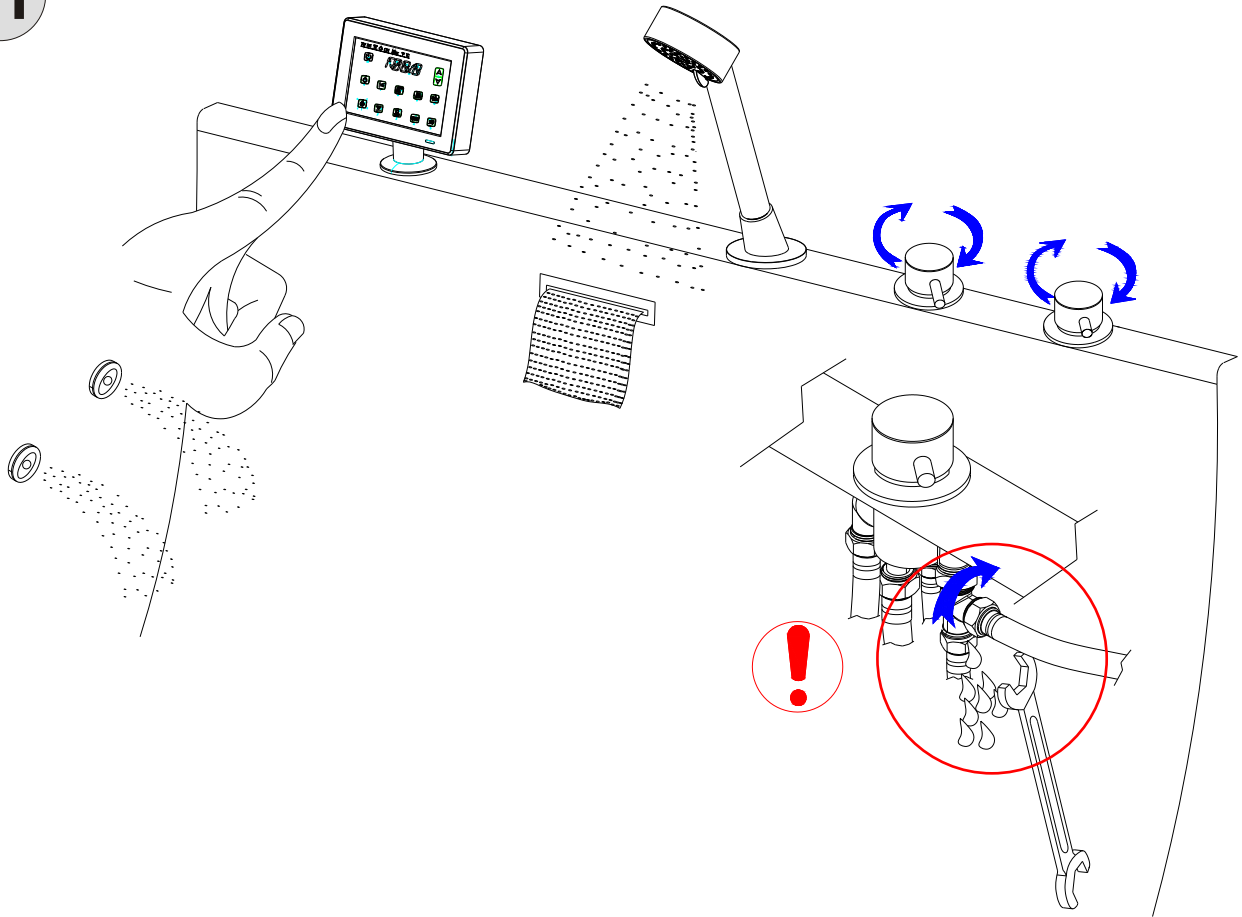
9



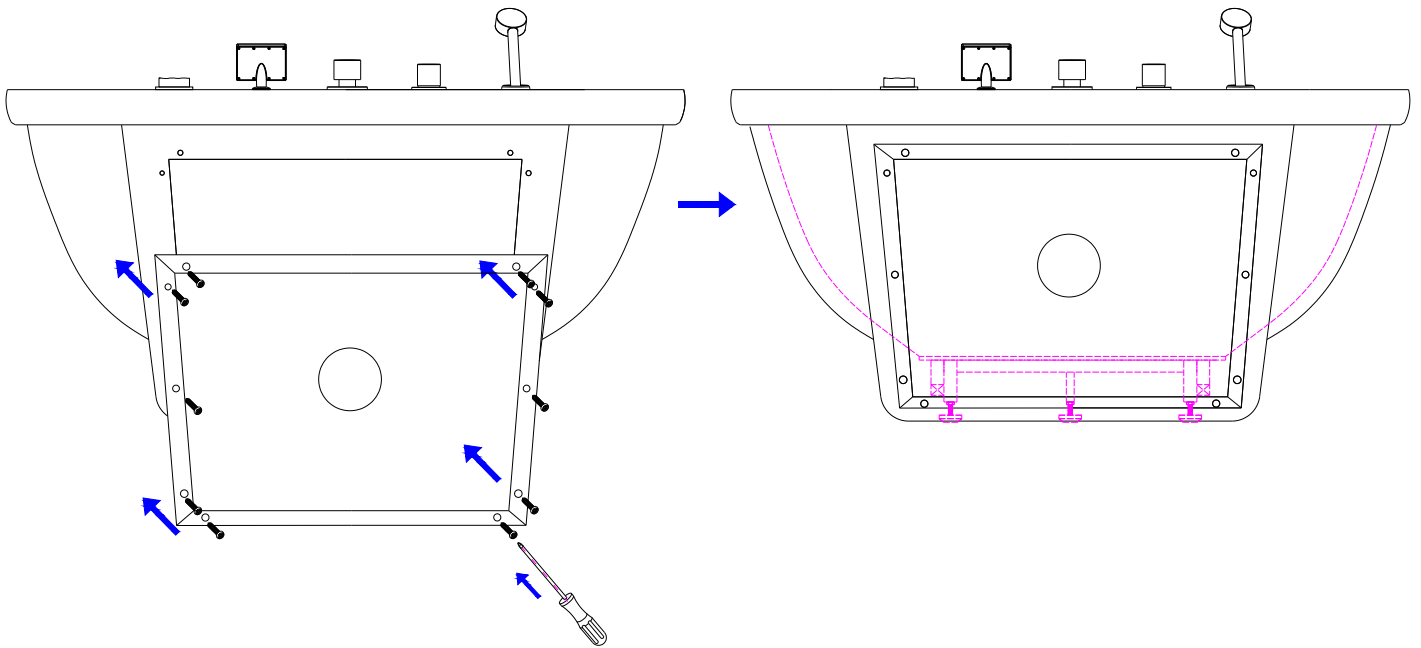
10



11



12

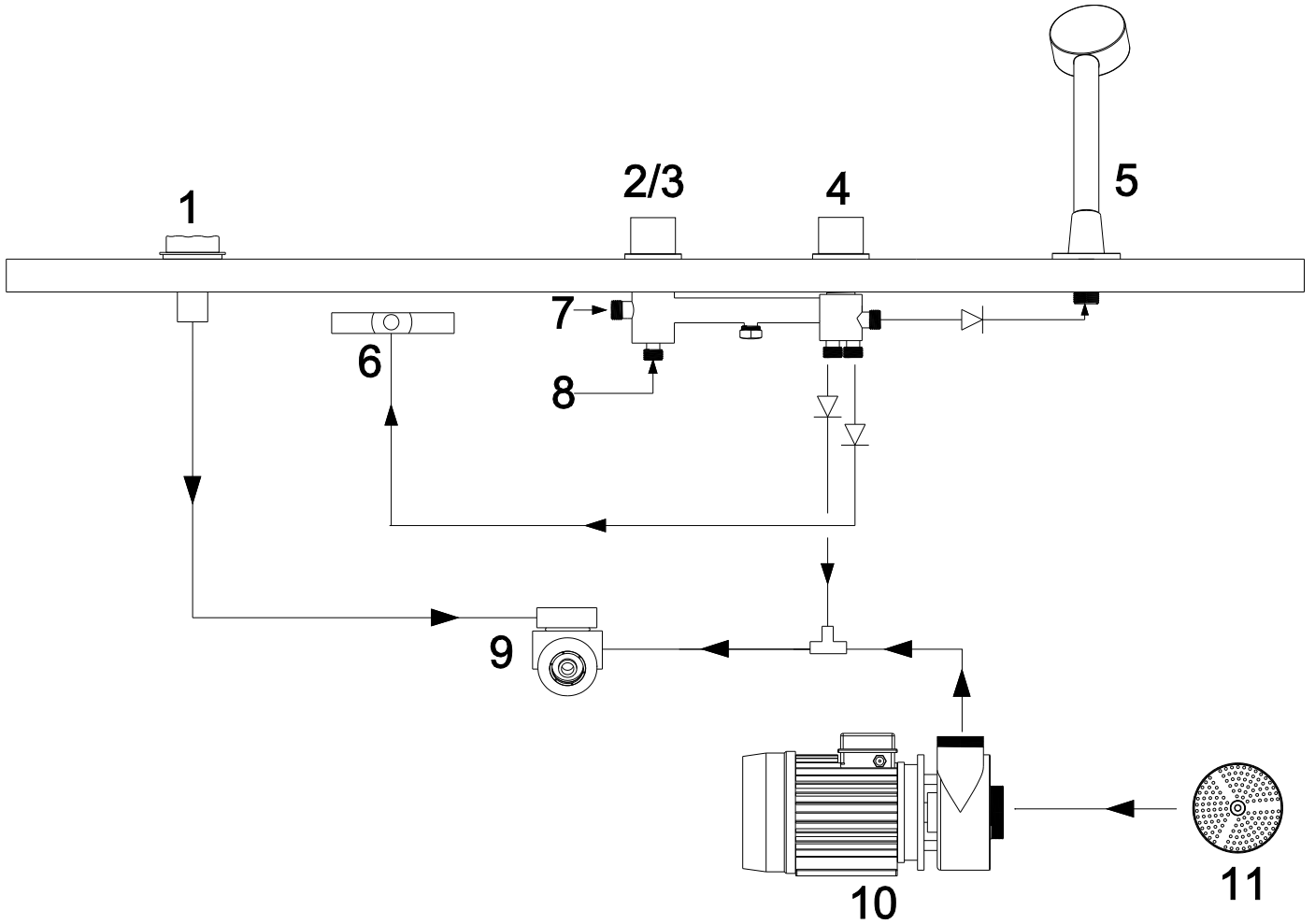


Technical Parameters

Rated Voltage	AC110-120V 60Hz
Rated Current	10.2A
Normal Rated Power	1125W
Recommended Power Service	GFCI-Protected 15A
Water Pipe Dimension	1/2"
Drainage Pipe Dimension	40mm
Max. Hot Water Temperature	176°F
Recommended Hot Water	149°F
Operating pressure	Max 0.8mPa(8 bar/116 PSI)
Recommended Operating Pressure	0.1-0.5mPa(1-5 bar/14.5-72.5 PSI)

CE  **16**
EN12764:2004+A1

Flowchart



1	Air Bubble Regulator Valve	7	Hot Water Supply Inlet
2/3	Water On/Off & Mixer Valve	8	Cold Water Supply Inlet
4	Function Selector Valve	9	Water Jet
5	Shower Wand	10	Water Pump
6	Waterfall Faucet	11	Whirlpool Water Suction

Electrical Wiring Diagram

