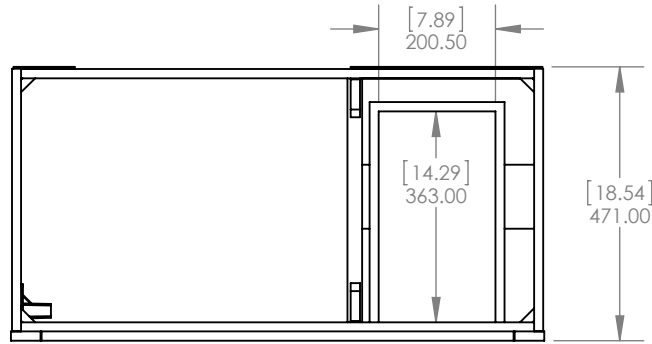
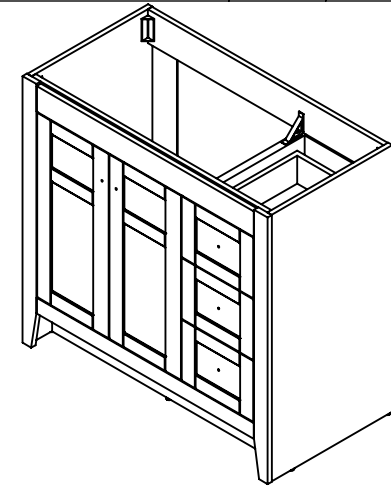


ITEM ID	DESCRIPTION
HD2036P1O33-KG	Vanity - Kitchen Gray
HD2036P1O34-WH	Vanity - White

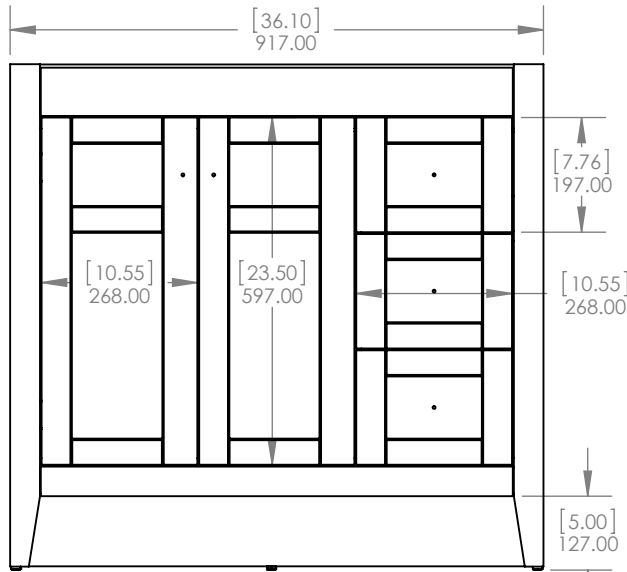
REV	ECO#	DESCRIPTION	REV'D BY DATE	CHK'D BY DATE	APRV'D BY DATE
0		RELEASE	AGS 04/07/20	KN 04/07/20	EC 04/07/20



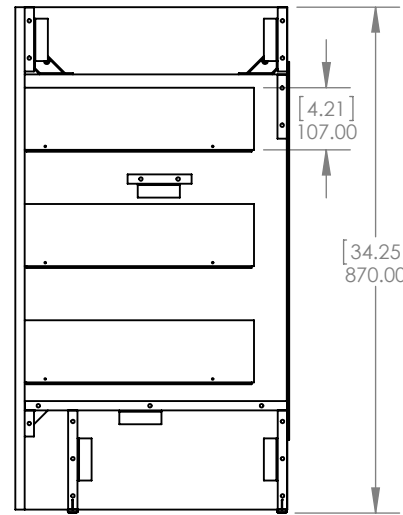
Top View / Vista Superior



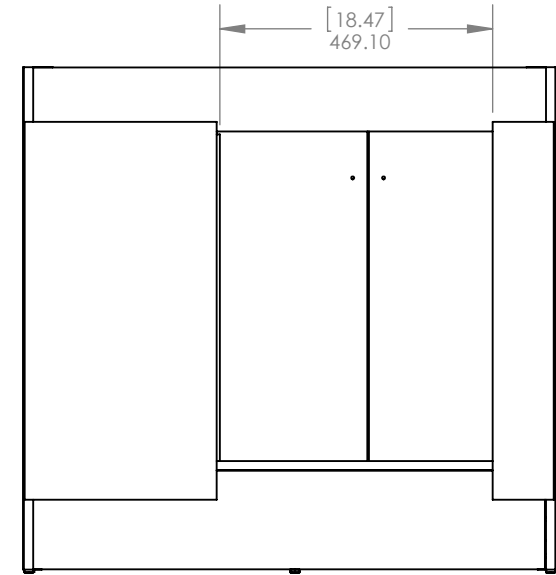
Isometric View / Vista Isometrica



Front view / Vista Frontal



Side View / Vista Lateral



Back View / Vista Trasera



PROPRIETARY AND CONFIDENTIAL
 THE INFORMATION CONTAINED IN THIS DRAWING IS THE SOLE PROPERTY OF WOODCRAFTERS HOME PRODUCTS L.L.C. ANY REPRODUCTION IN PART OR AS A WHOLE, WITHOUT THE WRITTEN PERMISSION OF WOODCRAFTERS HOME PRODUCTS L.L.C. IS PROHIBITED.

Tolerancia no especificada

Lineal
±0.5mm

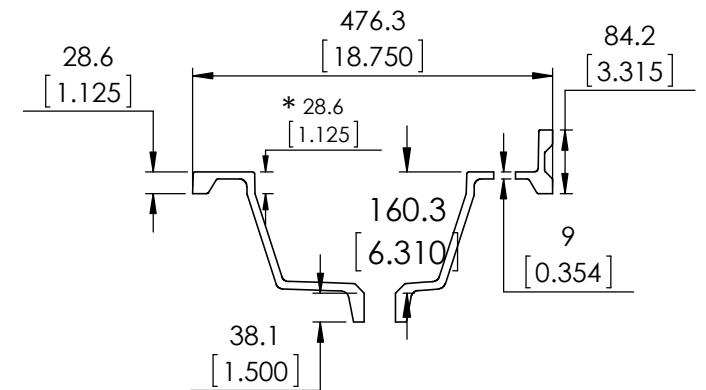
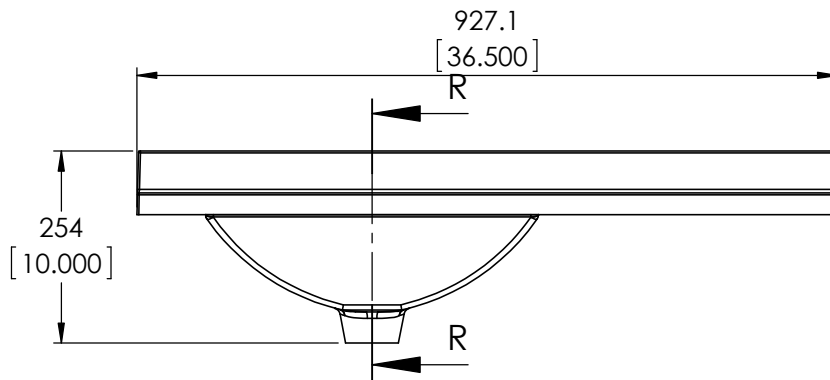
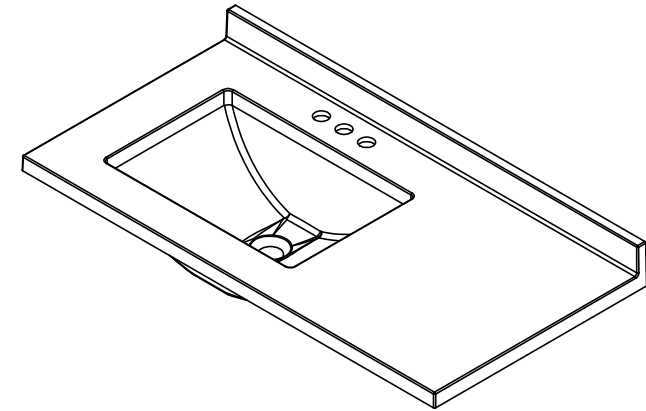
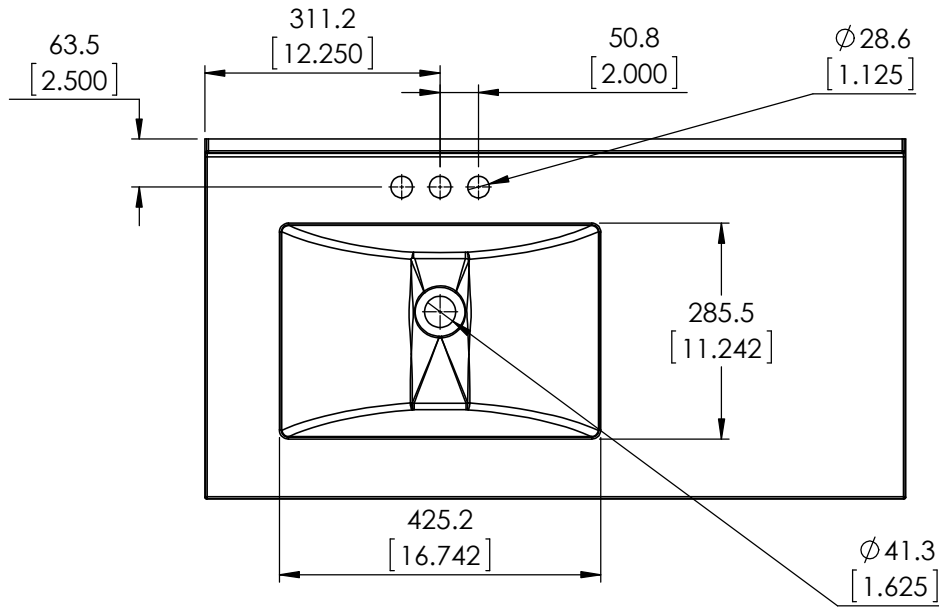
Angular
±0.5°

Drawn By / Dibujado por:	Adolfo Gallegos	08/02/19
Checked By / Revisado Por:	Karina Navarro	08/02/19
Approved By / Revisado Por:	Eduardo Cisneros	08/02/19

Cabinet Name/Nombre de Gabinete:	Home Decorators Collection	FG ID:
# of Drawing/ de Dibujo:	PAGE 1 OF 1	REV: 0

ITEM TYPE	ITEM ID	ITEM DESCRIPTION	DRAWING STATUS

REV	DESCRIPTION	DATE	APPROVAL
0	RELEASED	9/25/18	E. SANDOVAL
1	Added new items	3/13/20	E. SANDOVAL




Nota: *El grosor de la linea de particion bifono en el bowl es de 1.00" a 1.125"

PROPRIETARY AND CONFIDENTIAL THE INFORMATION CONTAINED IN THIS DRAWING IS THE SOLE PROPERTY OF WOODCRAFTERS. ANY REPRODUCTION IN PART OR AS A WHOLE WITHOUT THE WRITTEN PERMISSION OF WOODCRAFTERS IS PROHIBITED.	UNLESS OTHERWISE SPECIFIED		NAME		DATE	
	DIMENSIONS ARE IN MM. AND [INCHES]		O. RAZO		4/23/2020	
	TOLERANCES ARE		E. DELGADO		5/28/2020	
	+ 3.175 [0.125] - 3.175 [0.125]		W. AMAYA		5/28/2020	
	SCALE: 1:10		A. CASIANO		5/28/2020	
DRAWN: O. RAZO CHECKED: E. DELGADO ENG APPR.: W. AMAYA MFG APPR.: A. CASIANO			SIZE	DWG. NO.		SHEET 1 OF 2
			A	FG		

ITEM TYPE	ITEM ID	ITEM DESCRIPTION	DRAWING STATUS
FG	ECCM3719R-WH	Vtop Rect 36.5x18.75 offset left CM White 4 in	R&D
FG	ECSS3719R-PG	Vtop Rect 2 tone 36.5x18.75 offset left SS Polar Gray 4 in	R&D
FG	ECSS3719R-AH	Vtop Rect 2 tone 36.5x18.75 offset left SS Silver Ash 4 in	R&D
FG	ECSS3719R-SN	Vtop Rect 2 tone 36.5x18.75 offset left SS Snow 4 in	R&D

REV	DESCRIPTION	DATE	APPROVAL
0	RELEASED	9/25/18	E. SANDOVAL
1	Added new items	3/13/20	E. SANDOVAL

PROPRIETARY AND CONFIDENTIAL THE INFORMATION CONTAINED IN THIS DRAWING IS THE SOLE PROPERTY OF WOODCRAFTERS. ANY REPRODUCTION IN PART OR AS A WHOLE WITHOUT THE WRITTEN PERMISSION OF WOODCRAFTERS IS PROHIBITED.	UNLESS OTHERWISE SPECIFIED		NAME	DATE	 SIZE DWG. NO. SHEET 2 OF 2 FG
	DIMENSIONS ARE IN MM. AND [INCHES]		DRAWN	O. RAZO 4/23/2020	
	TOLERANCES ARE + 3.175 [-.125] - 3.175 [0.125]		CHECKED	E. DELGADO 5/28/2020	
	SCALE:1:10		ENG APPR.	W. AMAYA 5/28/2020	
			MFG APPR.	A. CASIANO 5/28/2020	