



ILLUSTRATED PARTS BOOK

Front Tine Tiller

PFTT140.1

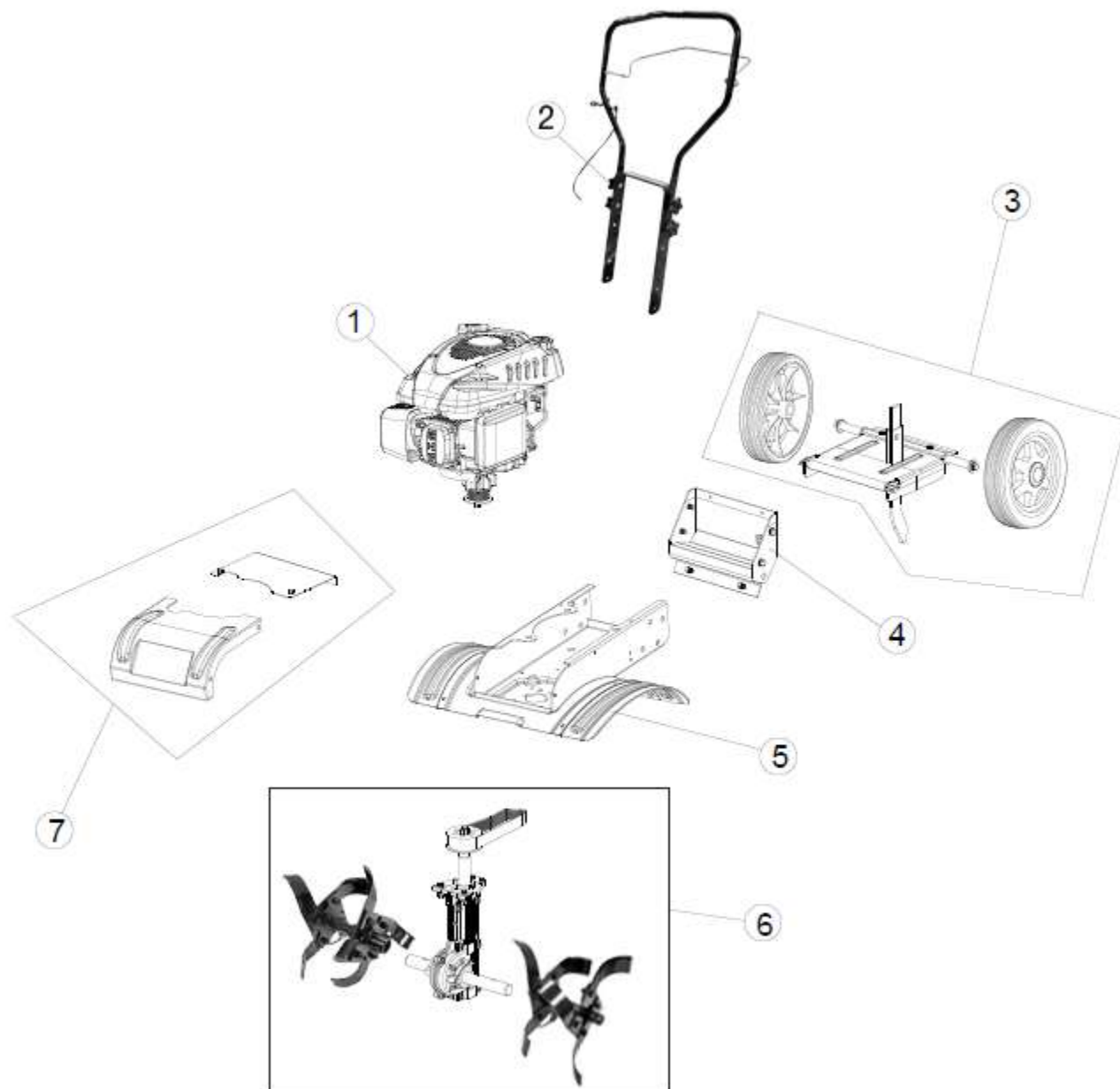


Table of Contents

| | |
|----------------------------------|---|
| Top Level Assembly..... | 3 |
| Engine – Top Level Assembly..... | 4 |
| Handle Assembly..... | 5 |
| Swing Plate Assembly..... | 6 |
| Swing Plate Mount Assembly..... | 7 |

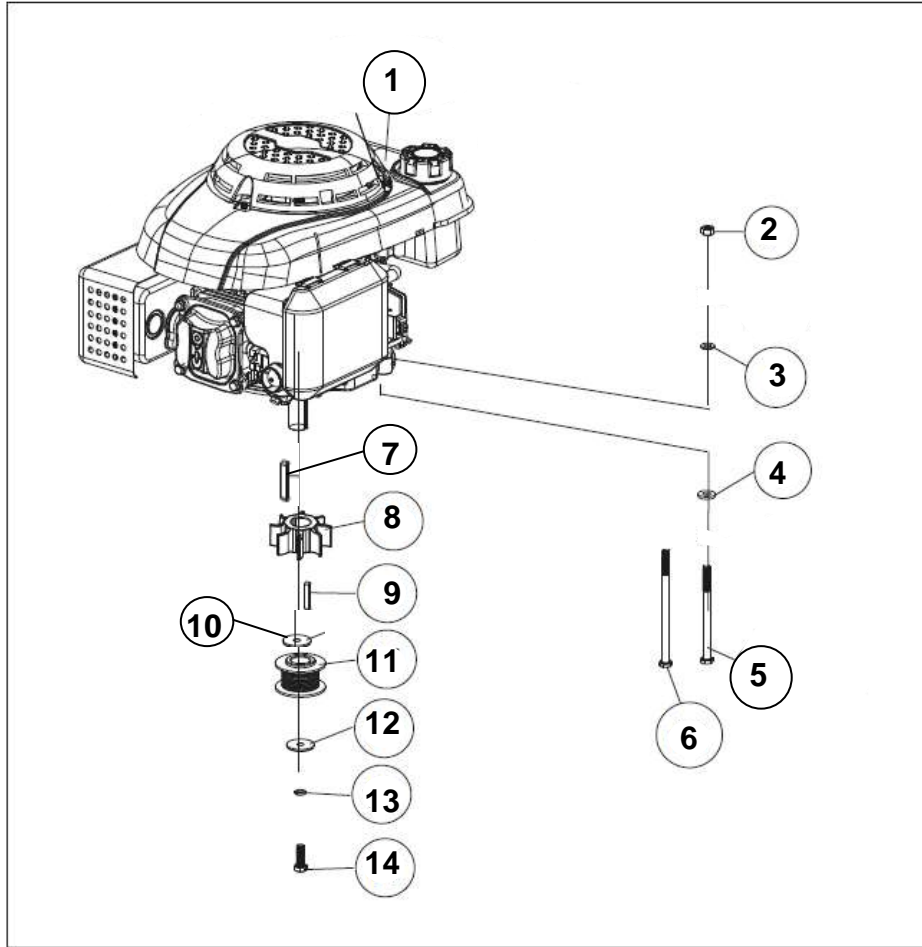
| | |
|---|-------|
| Base Assembly..... | 8-9 |
| Tine and Transmission Assembly..... | 10-11 |
| Inspection Plates..... | 12 |
| Unit Decals..... | 13 |
| | |
| <u>RV140 Engine-EPA3 (A202389)</u> | |
| Cylinder Head..... | 14 |
| Short Block Assembly..... | 15 |
| Camshaft..... | 16 |
| Engine Shroud & Recoil ASM..... | 17 |
| Carburetor..... | 18 |
| Flywheel / Ignition..... | 19 |
| Air Cleaner..... | 20 |
| Control..... | 21 |
| Muffler..... | 22 |
| Fuel Tank..... | 23 |
| Engine Decals..... | 24 |

Top Level Assembly



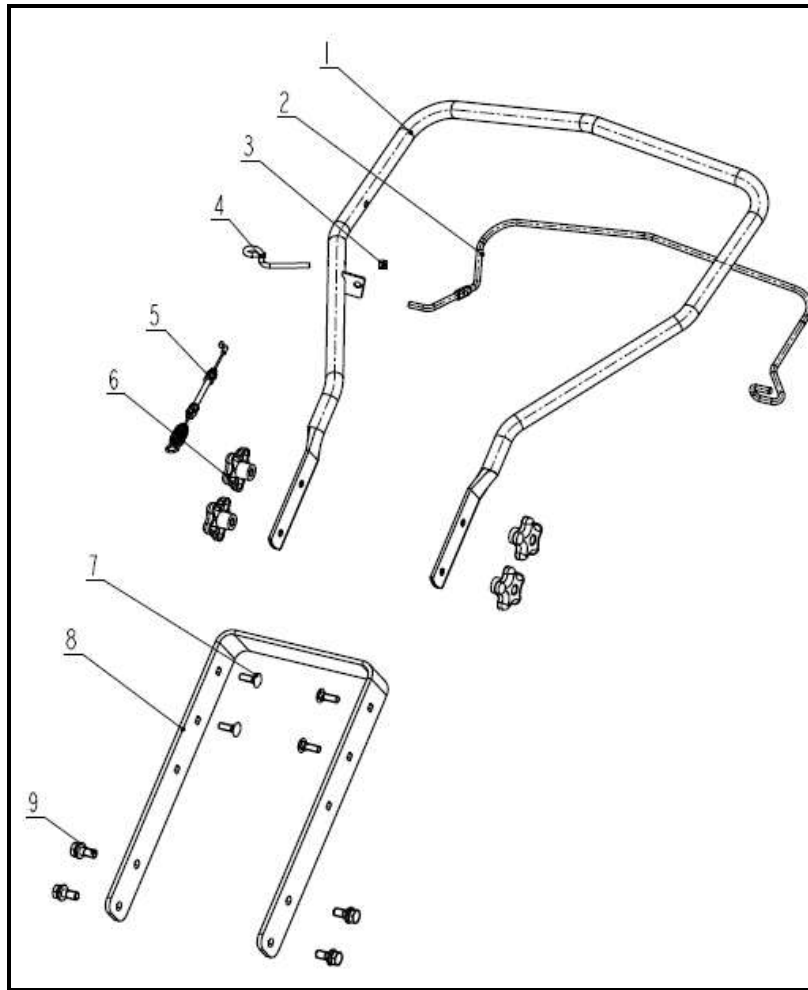
| REF. NO. | DESCRIPTION | PART NO. | RQD |
|----------|-------------------------------|-------------|-----|
| 1 | Engine-Top Level Assembly | See Page 4 | 1 |
| 2 | Handle Assembly | See Page 5 | 1 |
| 3 | Swing Plate Assembly | See Page 6 | 1 |
| 4 | Swing Plate Mount Assembly | See Page 7 | 1 |
| 5 | Base Assembly | See Page 8 | 1 |
| 6 | Tines & Transmission Assembly | See Page 10 | 1 |
| 7 | Inspection Plates | See Page 12 | 1 |

Engine – Top Level Assembly



| REF. NO. | DESCRIPTION | PART NO. | RQD |
|----------|--|----------|-----|
| 1 | Engine, RATO 139cc Vertical (EPA3) | A202389 | 1 |
| 2 | Nut, M8 | A200524 | 3 |
| 3 | Flat Washer, M8 | A200506 | 3 |
| 4 | Spacer, Engine Mounting | A200664 | 3 |
| 5 | M8x1.25x130, Hex Head Screw, Grade 8.8, Zinc | A200655 | 1 |
| 6 | M8x1.25x140, Hex Head Screw, Grade 8.8, Zinc | A200656 | 2 |
| 7 | Key, 4x6.5x16 | A200663 | 1 |
| 8 | Fan, Pulley | A200714 | 1 |
| 9 | Key, Engine | A200715 | 1 |
| 10 | Flat Washer, 22.5x35x0.5 | A202687 | 1 |
| 11 | Engine Pulley | A200716 | 1 |
| 12 | Flat Washer, 10x32x4 | A200717 | 1 |
| 13 | Spring Washer, M10 | A200531 | 1 |
| 14 | 3/8-24, Engine Driveshaft Screw | A200718 | 1 |

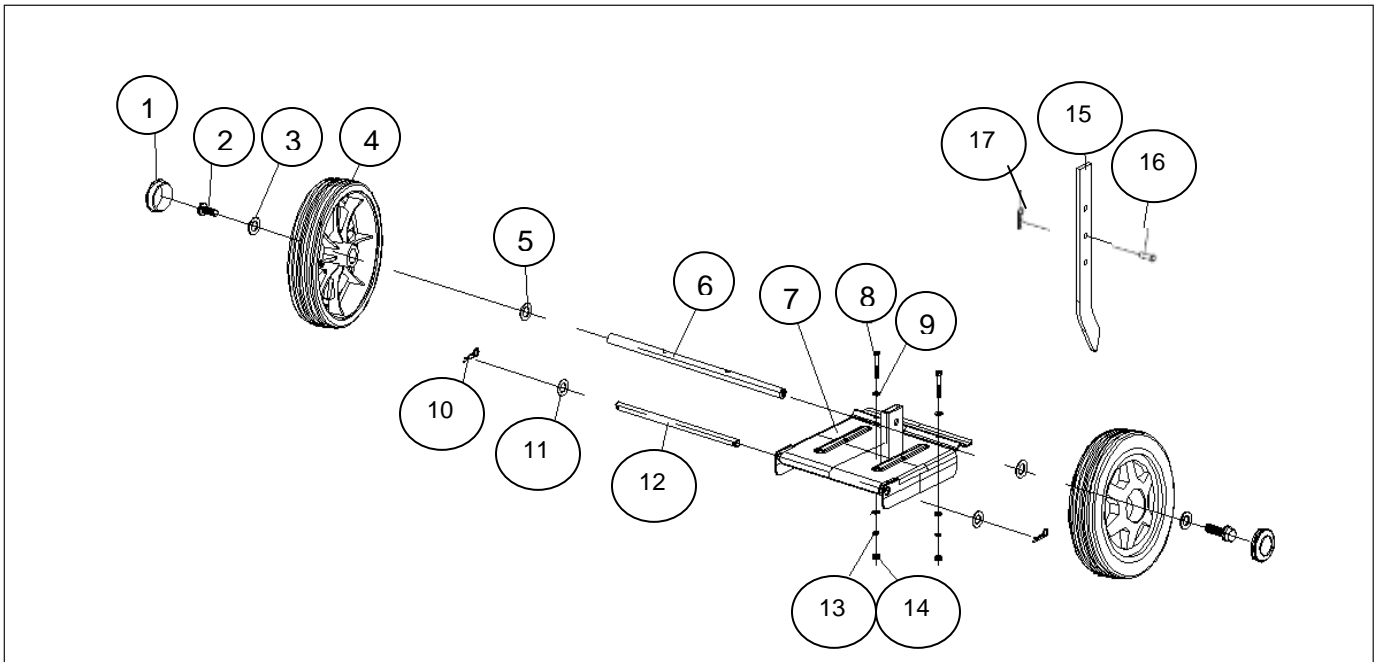
Handle Assembly



Handle Assembly

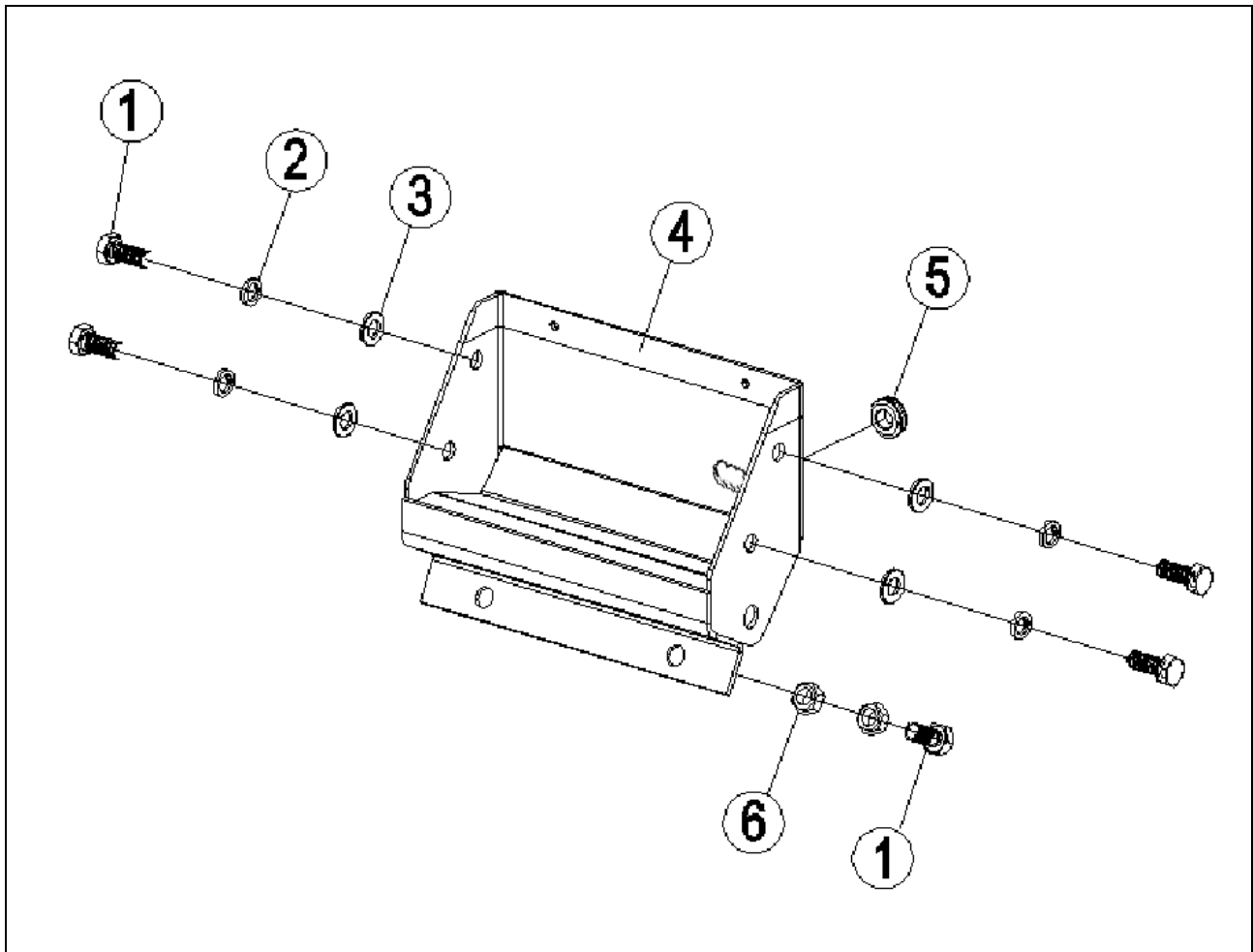
| REF. NO. | DESCRIPTION | PART NO. | RQD |
|----------|----------------------------------|-----------------------|-----|
| 1 | Upper Handle, 22 mm Tube | A202952 | 1 |
| 2 | Clutch Bar | A202953 | 1 |
| 3 | Nut ¼-20 | <i>Reference Only</i> | 1 |
| 4 | Guide Rope | A203153 | 1 |
| 5 | Assembly, Clutch Cable Control | A202954 | 2 |
| 6 | Knob Handle | A200486 | 4 |
| 7 | Bolt, Carriage M8 x 1.25 x 25 | <i>Reference Only</i> | 4 |
| 8 | Lower Handle | A202946 | 1 |
| 9 | Combination Screw M10 x 1.5 x 25 | <i>Reference Only</i> | 4 |

Swing Plate Assembly



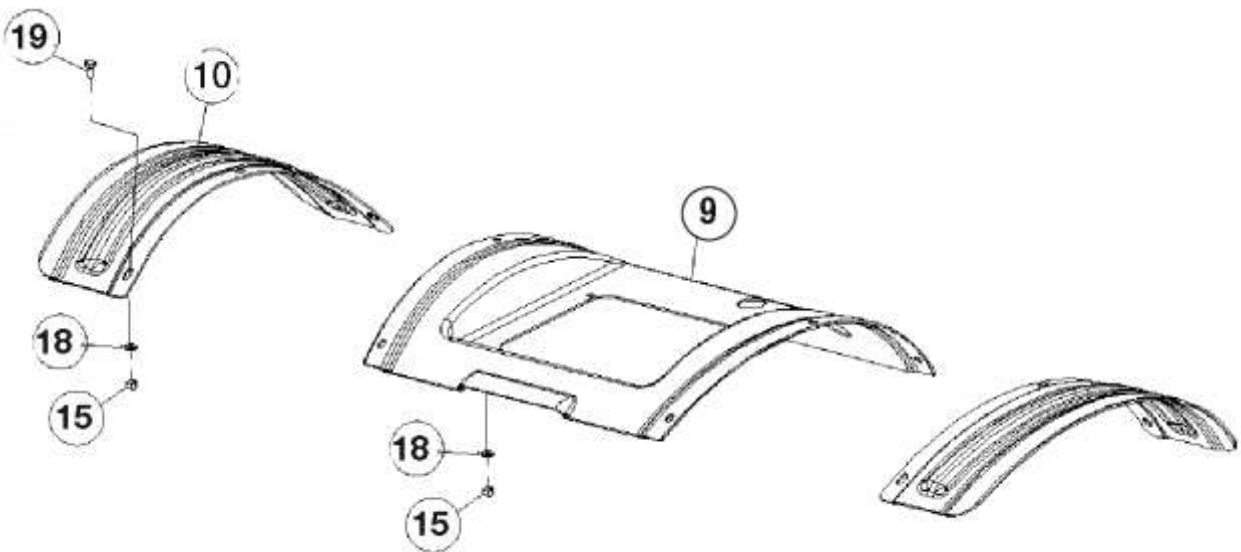
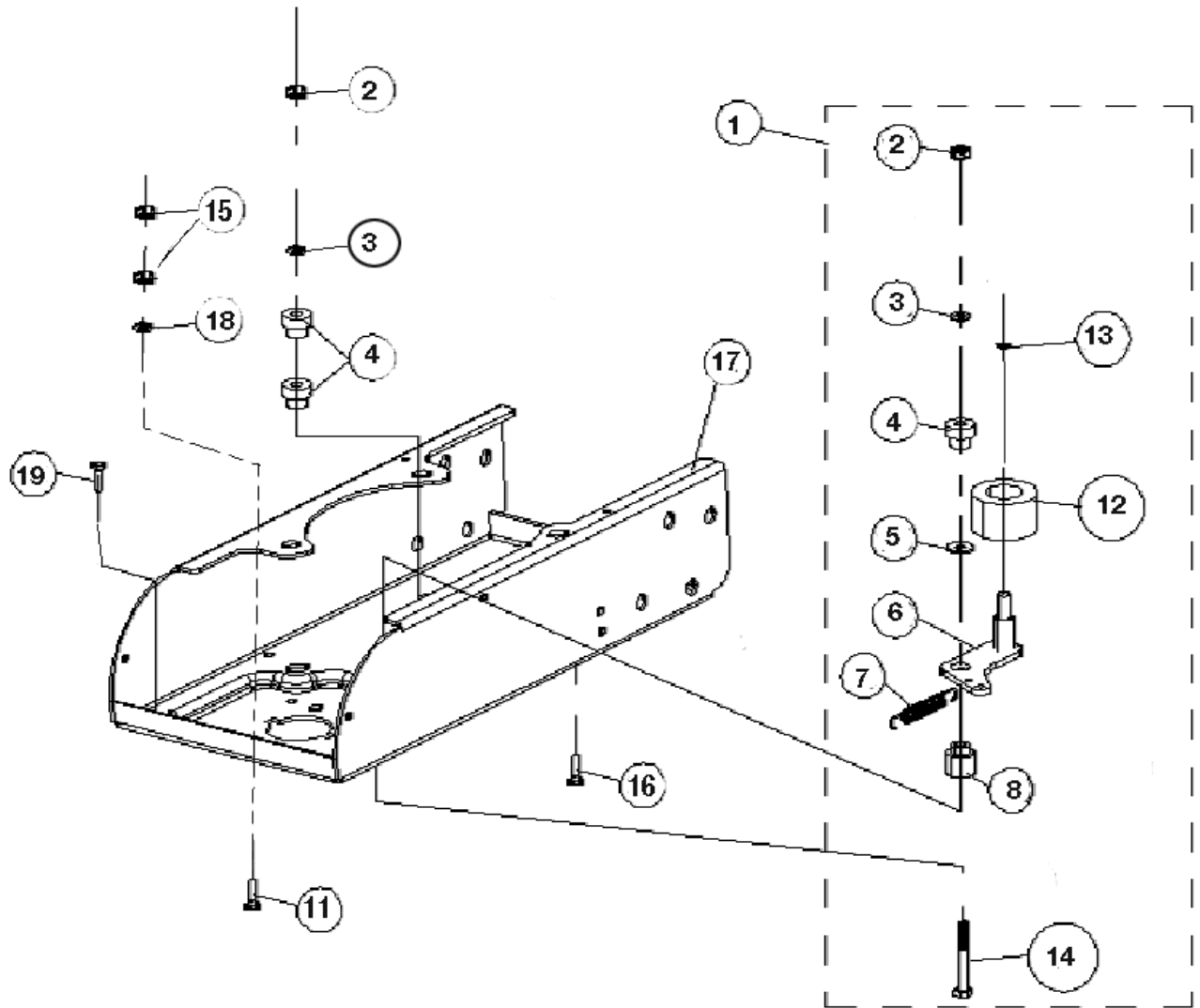
| REF. NO. | DESCRIPTION | PART NO. | RQD |
|----------|--|-----------------------|-----|
| 1 | Hubcap, 8" Wheel | A200373 | 2 |
| 2 | M8x1.25x12, Hex Flange Head Screw, Grade 8.8, Zinc | <i>Reference Only</i> | 2 |
| 3 | Flat Washer, M8, Zinc | <i>Reference Only</i> | 2 |
| 4 | Wheel, 8 Inch | A200375 | 2 |
| 5 | Flat Washer, M14, Zinc | <i>Reference Only</i> | 2 |
| 6 | Axle, Wheel - Threaded | A200376 | 1 |
| 7 | Swing Plate - Powermate | A200692 | 1 |
| 8 | M8x1.25x30, Hex Head Screw, Grade 8.8, Zinc | <i>Reference Only</i> | 2 |
| 9 | Flat Washer, M8, Zinc | <i>Reference Only</i> | 4 |
| 10 | Cotter Key, 2x37 | <i>Reference Only</i> | 3 |
| 11 | Flat Washer, M12, Zinc | <i>Reference Only</i> | 2 |
| 12 | Axle, Swing Plate | A200691 | 1 |
| 13 | Lock Washer, M8, Zinc | <i>Reference Only</i> | 2 |
| 14 | M8x1.25, Hex Lock Nut, Grade 8, Zinc | <i>Reference Only</i> | 2 |
| 15 | Drag Bar, Three Hole | A200378 | 1 |
| 16 | Pin, 8x20 | A200673 | 1 |
| 17 | Hair Pin, 2x37 | A200671 | 1 |

Swing Plate Mount Assembly



| REF. NO. | DESCRIPTION | PART NO. | RQD |
|----------|--|-----------------------|-----|
| 1 | M10x 1.5 x 25 Hex Head Screw, Grade 8.8 Zinc | <i>Reference Only</i> | 6 |
| 2 | Lock Washer, M10 | <i>Reference Only</i> | 4 |
| 3 | Flat Washer, M10 | <i>Reference Only</i> | 4 |
| 4 | Swing Plate Mounting Frame - Powermate | A203114 | 1 |
| 5 | Grommet | A200569 | 1 |
| 6 | M10x 1.5 Hex Jam Nut, Grade 8.8 Zinc | <i>Reference Only</i> | 2 |

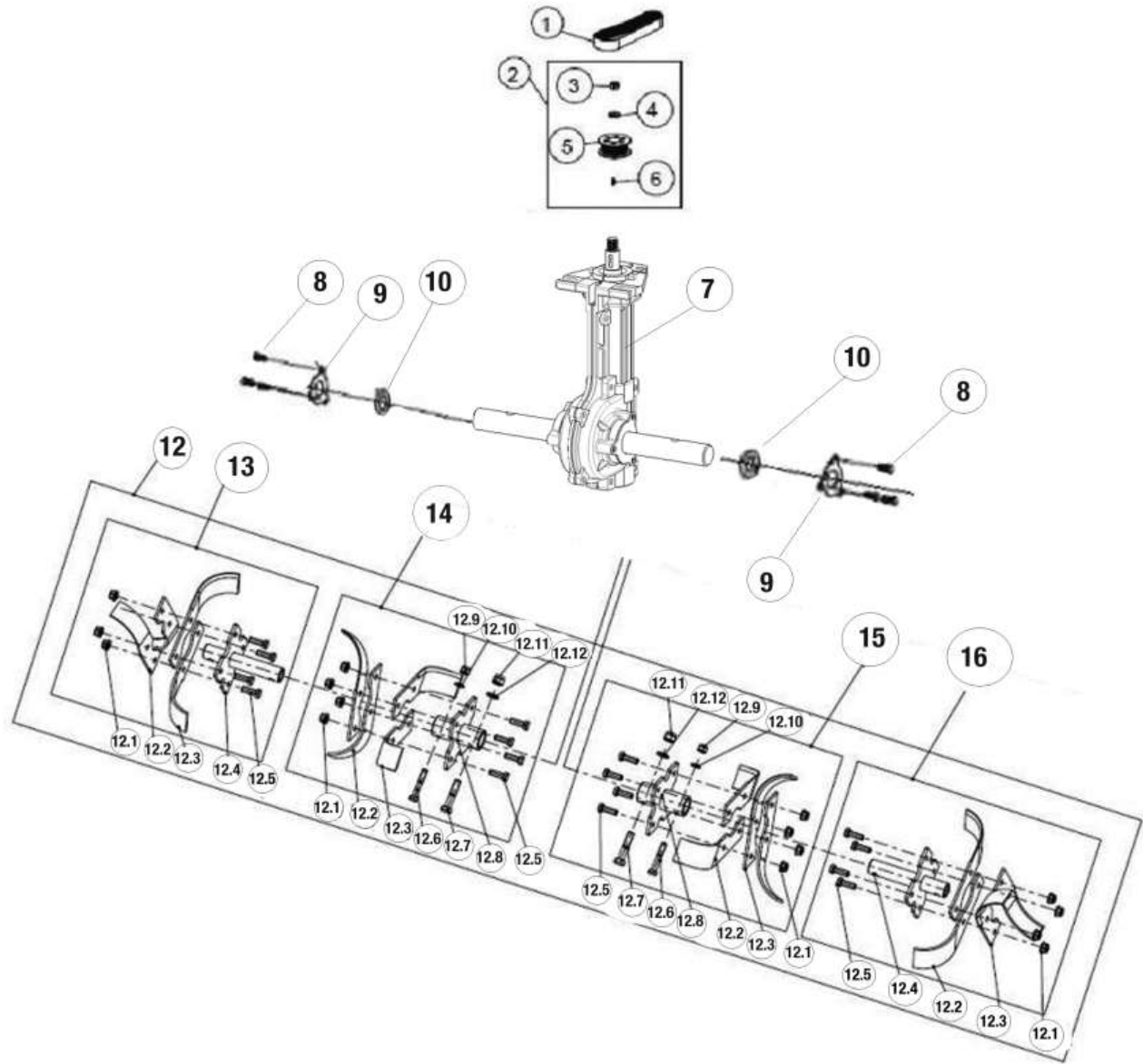
Base Assembly



Base Assembly

| REF No. | DESCRIPTION | PART NO | RQD |
|---------|--|----------------|-----|
| 1 | Kit Tension Idler (#2-8 & 12-14) | A200826 | 1 |
| 2 | M8X1.0, Hex Lock Nut Grade 8, Zinc | Reference Only | 2 |
| 3 | Flat Washer M8, Zinc | Reference Only | 2 |
| 4 | Bushing, Belt | A200658 | 3 |
| 5 | Flat Washer, 8x22x2 | Reference Only | 1 |
| 6 | Tensioner Arm | Reference Only | 1 |
| 7 | Spring, Clutch | A200676 | 1 |
| 8 | Bushing, Tensioner Arm | Reference Only | 1 |
| 9 | Tine Shield, Curved, Powermate | A200381 | 1 |
| 10 | Shield, Extension, Powermate | A200383 | 2 |
| 11 | M6x1x25, Hex Flange Head Screw, Grade 8.8 Zinc | Reference Only | 1 |
| 12 | Tensioner | A200681 | 1 |
| 13 | Circlip, 10 | A200546 | 1 |
| 14 | M8x1.25x60, Hex Head | Reference Only | 1 |
| 15 | M8x1.0, Lock Nut Grade | Reference Only | 12 |
| 16 | M8x1.25x50, Hex Head Screw, Grade 8.8 Zinc | Reference Only | 1 |
| 17 | Mounting Frame, Curved Powermate | A200380 | 1 |
| 18 | Flat Washer M6, Zinc | Reference Only | 9 |
| 19 | Flange Bolt M6x1x16 | Reference Only | 10 |

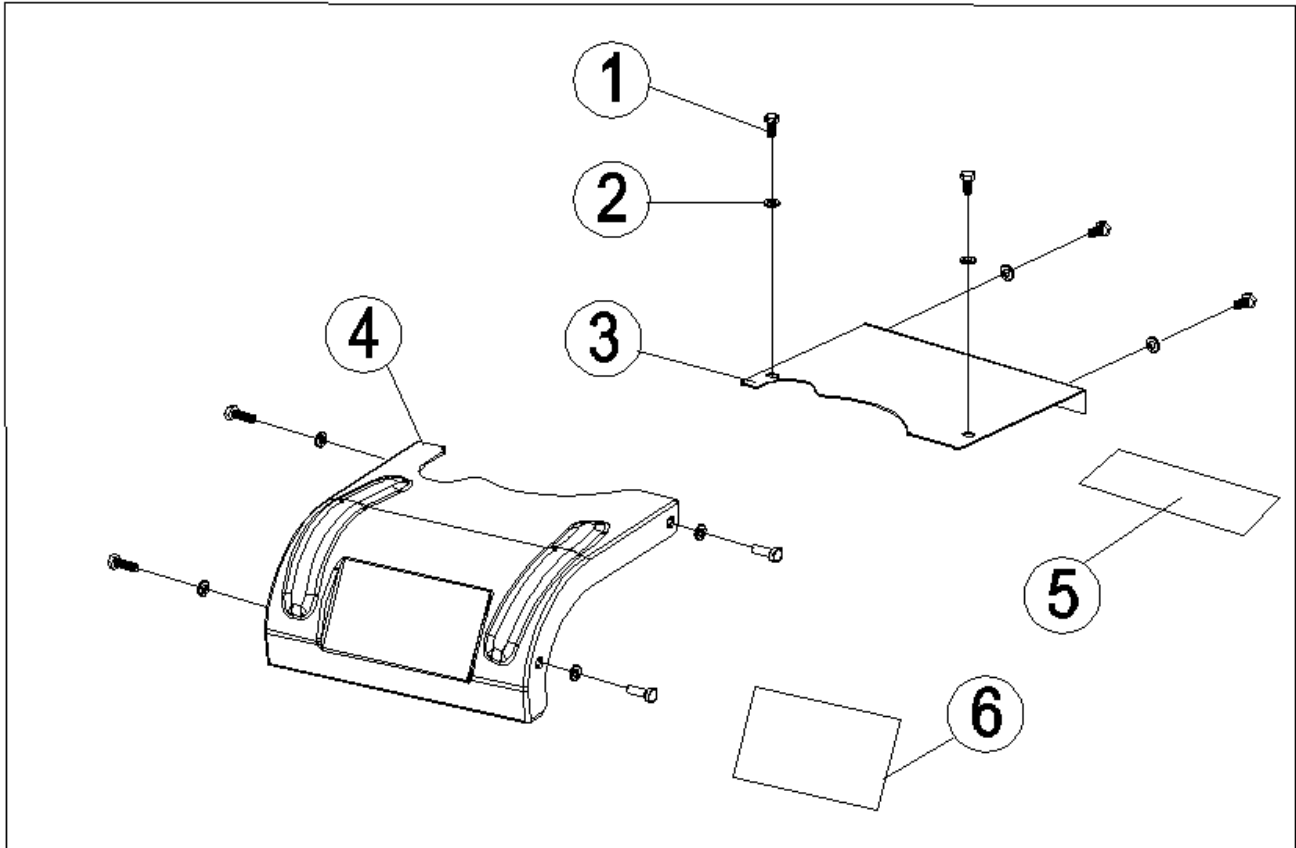
Tine and Transmission Assembly



Tine and Transmission Assembly

| REF No. | DESCRIPTION | PART NO | RQD |
|---|----------------------------|----------------|-----|
| 1 | Drive Blet,10PJ508 | A200659 | 1 |
| 2 | Kit, Transmission Pulley | A200822 | 1 |
| 3 | Lock Nut M12x1.75 | A200660 | 1 |
| 4 | Flat Washer 12 | A200661 | 1 |
| 5 | Pulley, Transmission | A200662 | 1 |
| 6 | Key,4x6.5x16 | A200663 | 1 |
| 7 | Kit, Transmission Assembly | A200829 | 1 |
| 8 | Combination ScrewM6x1X16 | A200619 | 6 |
| 9 | Gear Box Seal Cover | A200620 | 2 |
| 10 | Transmission Seal 25x40x7 | A200621 | 2 |
| 12 | Right & Left Tine | Reference Only | 1 |
| 12.1 | Lock Nut M8X1.25 | Reference Only | 16 |
| 12.2 | Tine, Right | A202956 | 8 |
| 12.3 | Tine, Left | A202957 | 8 |
| 12.4 | Hub, Outside | Reference Only | 2 |
| 12.5 | Bolt M8X1.25X25 | Reference Only | 16 |
| 12.6 | Bolt M8x1.25x50 | A200533 | 2 |
| 12.7 | Bolt M10x1.5x50 | A200578 | 2 |
| 12.8 | Hub, Inside | Reference Only | 2 |
| 12.9 | Lock Nut M8x1.25 | A200524 | 2 |
| 12.10 | Flat Washer 8 | Reference Only | 4 |
| 12.11 | Lock Nut M10x1.5 | A200532 | 2 |
| 12.12 | Flat Washer 10 | Reference Only | 4 |
| 13 | Right Tine, Outside | A202950 | 1 |
| 14 | Right Tine, Inside | A202948 | 1 |
| 15 | Left Tine, Inside | A202947 | 1 |
| 16 | Left Tine, Outside | A202949 | 1 |
| NOTE: References to right or left of the unit are determined from behind the unit in the operating position. | | | |

Inspection Plates



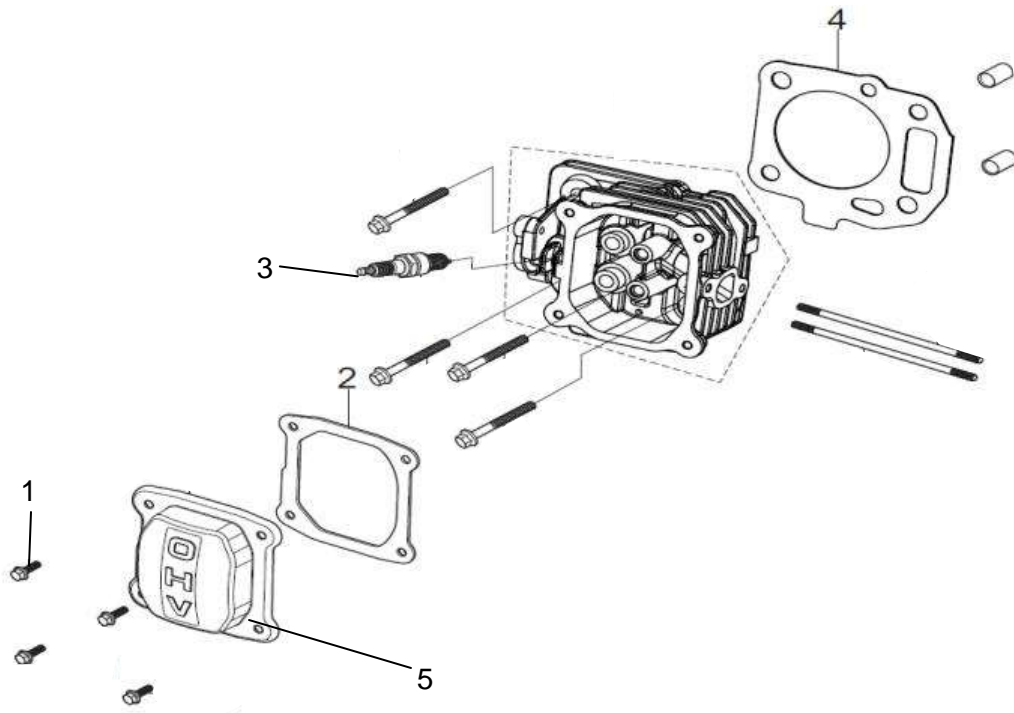
| REF. NO. | DESCRIPTION | PART NO. | RQD |
|----------|--|-----------------------|-----|
| 1 | M6x1.0x12, Hex Head Cap Screw, Grade 8.8, Zinc | <i>Reference Only</i> | 8 |
| 2 | Flat Washer, M6, Zinc | <i>Reference Only</i> | 8 |
| 3 | Rear Inspection Plate - Powermate | A200686 | 1 |
| 4 | Front Inspection Plate, Curved -Powermate | A200384 | 1 |

Unit Decals



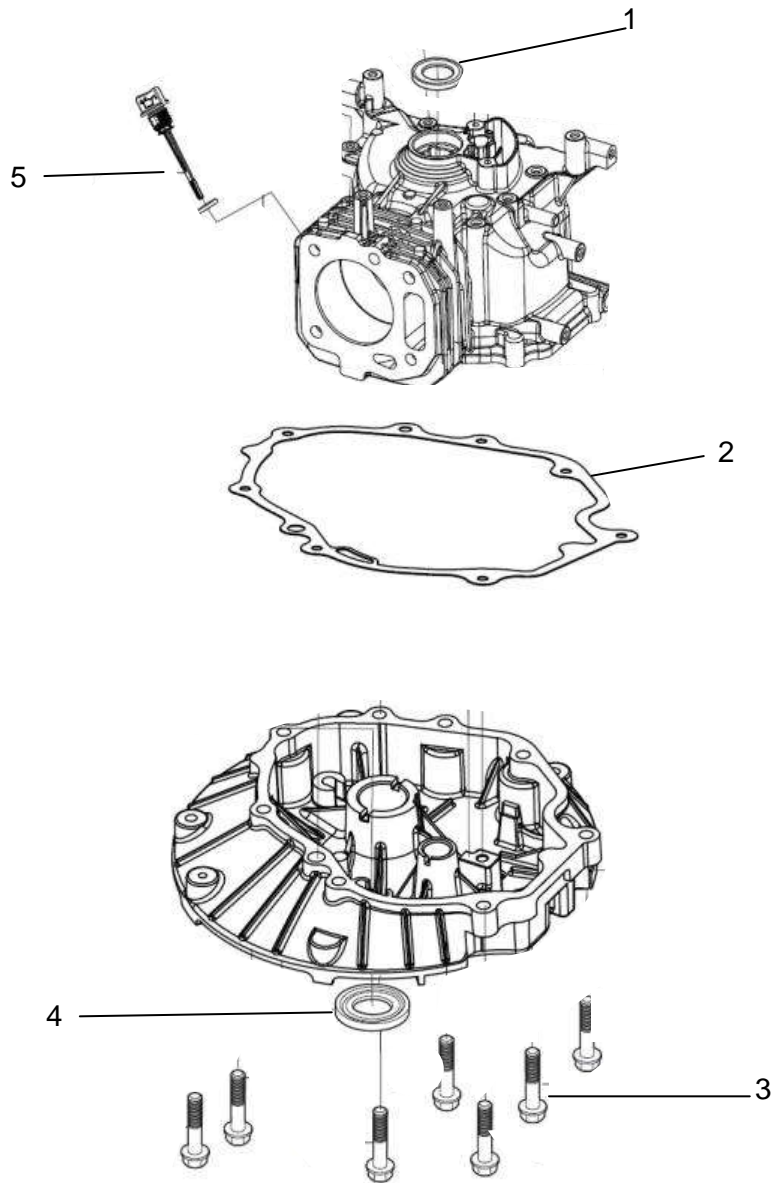
| REF. NO. | DESCRIPTION | PART NO. | QTY |
|----------|---------------------------|----------|-----|
| - | Decal Sheet, PFTT140 Unit | A202630 | 1 |

Cylinder Head



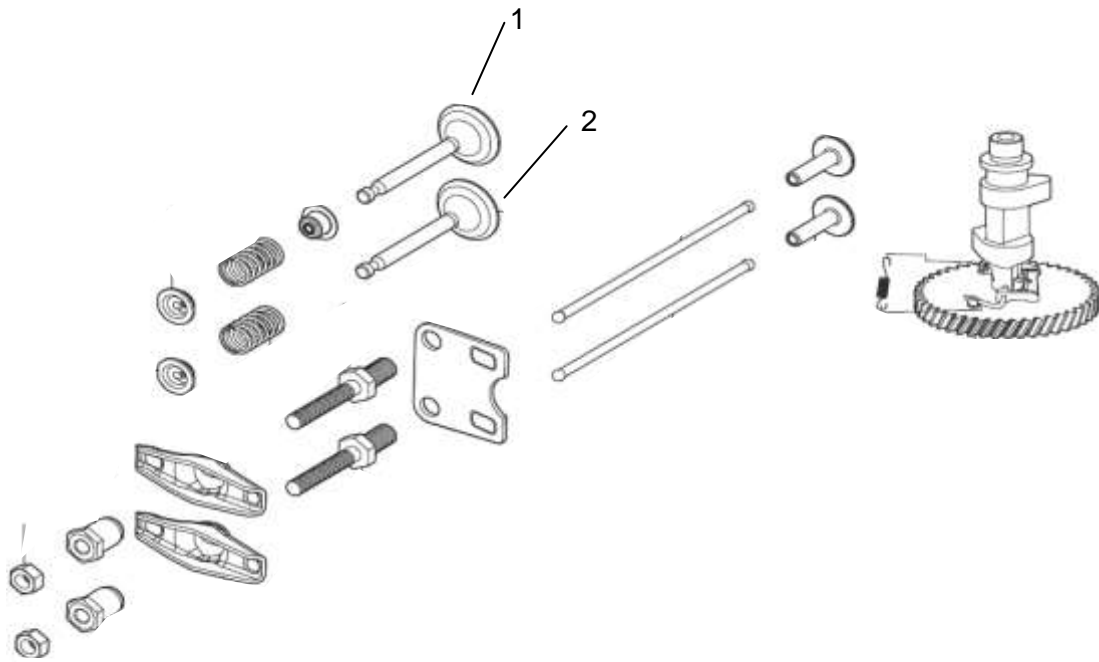
| REF. NO. | DESCRIPTION | PART NO. | RQD |
|----------|--|----------------|-----|
| 1 | M6x1.0x12, Hex Flange Bolt, Zinc, Grade 8.8 | Reference Only | 4 |
| 2 | Gasket, Cylinder Head Cover | A201567 | 1 |
| 3 | Plug, Spark (Torch F7TC, NGK BPGES, Champion RN9YC4) | A201233 | 1 |
| 4 | Gasket, Cylinder Head | A201569 | 1 |
| 5 | Cover, Cylinder Head | A201566 | 1 |

Short Block Assembly



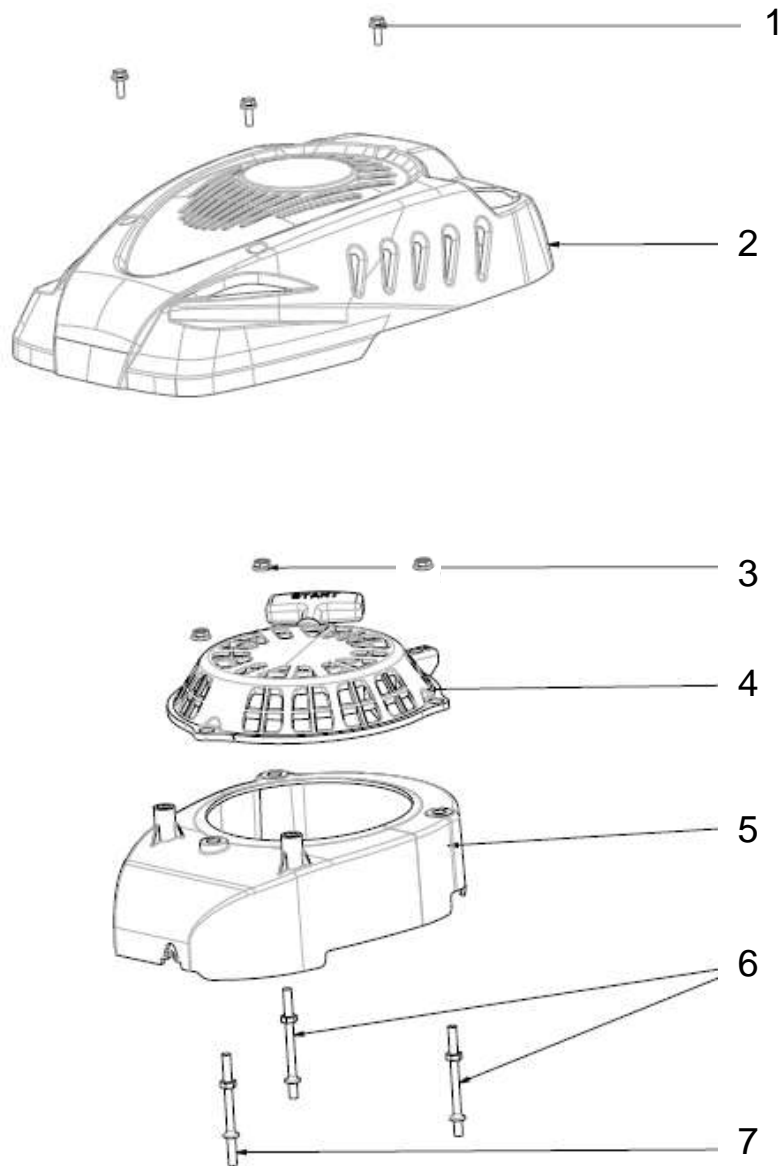
| REF. NO. | DESCRIPTION | PART NO. | RQD |
|----------|---|----------------|-----|
| 1 | Seal, Oil | A201581 | 1 |
| 2 | Gasket, Crankcase | A201592 | 1 |
| 3 | M6x1.0x27, Hex Flange Bolt, Zinc, Grade 8.8 | Reference Only | 7 |
| 4 | Seal, Oil | A201599 | 1 |
| 5 | Sub Assembly, Oil Dipstick | A201577 | 1 |

Camshaft



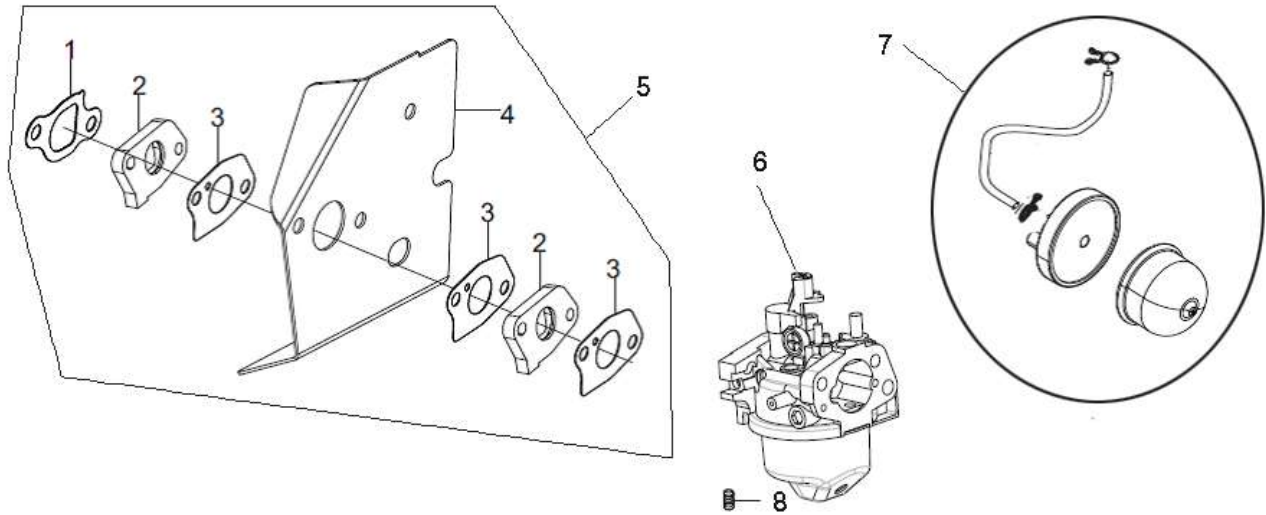
| REF. NO. | DESCRIPTION | PART NO. | RQD |
|----------|----------------|----------|-----|
| 1 | Valve, Intake | A201627 | 1 |
| 2 | Valve, Exhaust | A201633 | 1 |

Engine Shroud



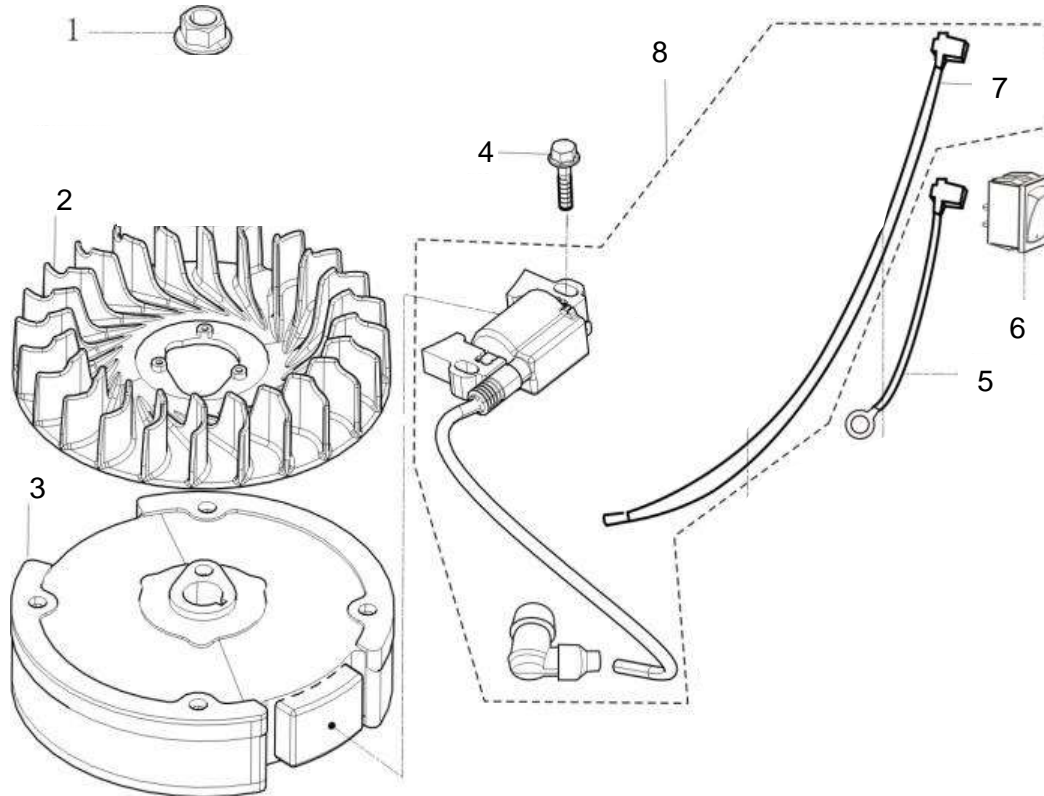
| REF. NO. | DESCRIPTION | PART NO. | RQD |
|----------|---------------------------------------|----------------|-----|
| 1 | Bolt, Housing | A201637 | 3 |
| 2 | Shroud, Engine (Without Brand Decals) | A203033 | 1 |
| 3 | M6x1.0 Hex Flange Nut, Zinc, Grade 8 | Reference Only | 3 |
| 4 | ASM, Recoil Starter | A201653 | 1 |
| 5 | Shroud, Recoil ASM | A201636 | 1 |
| 6 | Stud, Recoil Shroud – 1 | A201638 | 2 |
| 7 | Stud, Recoil Shroud – 2 | A201639 | 1 |

Carburetor



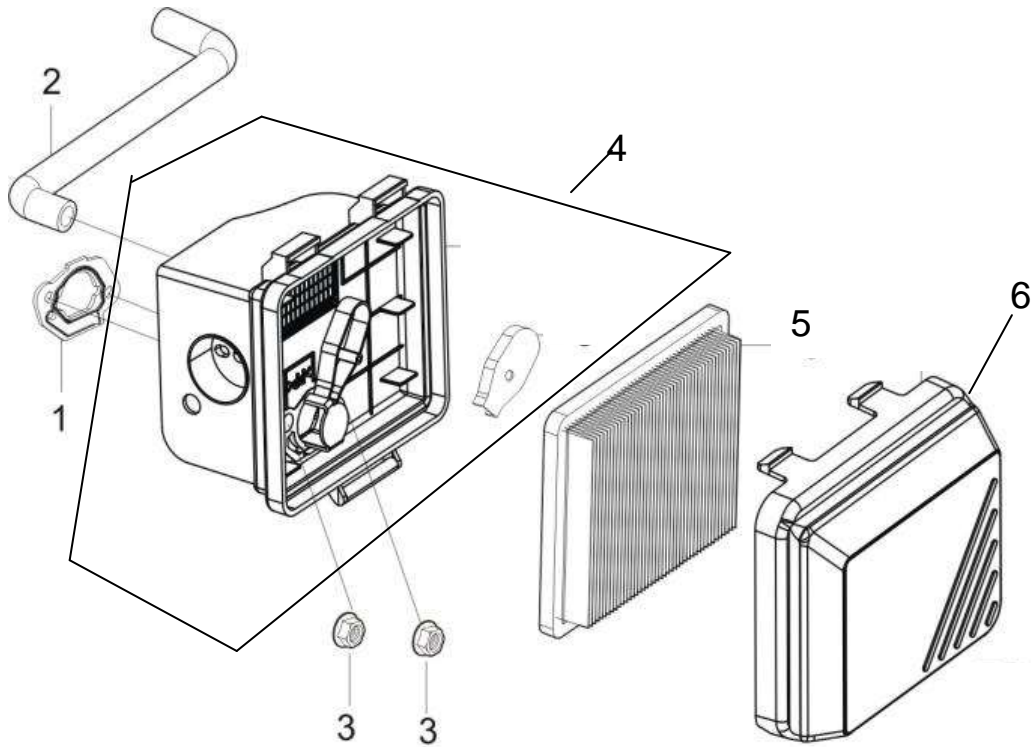
| REF. NO. | DESCRIPTION | PART NO. | RQD |
|----------|--|-----------------------|-----|
| 1 | Gasket, Insulator | <i>Reference Only</i> | 1 |
| 2 | Spacer, Gasket | <i>Reference Only</i> | 2 |
| 3 | Gasket, Carburetor | <i>Reference Only</i> | 3 |
| 4 | Heat Shield, Carburetor | <i>Reference Only</i> | 1 |
| 5 | Kit, Carburetor Gasket (Incl. #1-4) | A203037 | 1 |
| 6 | ASM, Carburetor | A201658 | 1 |
| 7 | ASM, Primer Bulb | A201683 | 1 |
| 8 | Jet, High Altitude (above 7000 feet MSL) | A203107 | 1 |

Flywheel / Ignition



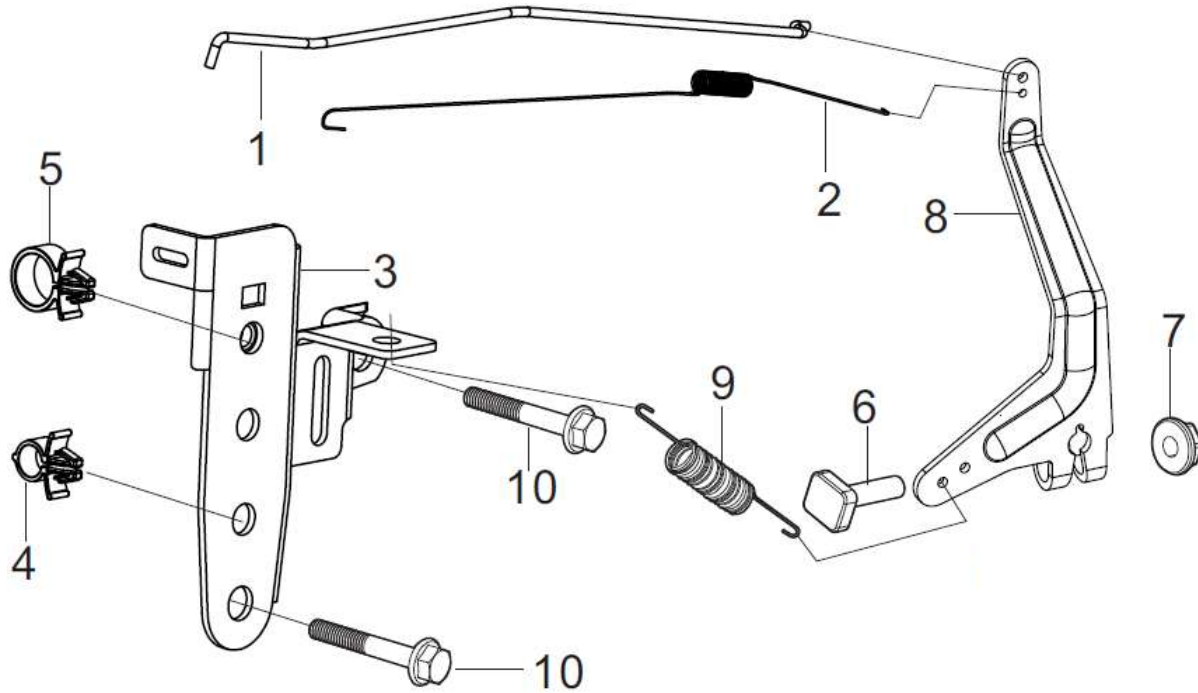
| REF. NO. | DESCRIPTION | PART NO. | RQD |
|----------|--|-----------------------|-----|
| 1 | M14x1.5 Serrated Hex Flange Nut, Zinc, Grade 8 | <i>Reference Only</i> | 1 |
| 2 | Fan, Flywheel | A201686 | 1 |
| 3 | Flywheel | A203038 | 1 |
| 4 | M6x1.0x25 Hex Flange Bolt, Zinc, Grade 8.8 | <i>Reference Only</i> | 2 |
| 5 | Ground Wire, Engine Kill Switch | A201691 | 1 |
| 6 | Switch, Engine Kill | A201692 | 1 |
| 7 | Lead, Low Tension | A201693 | 1 |
| 8 | Coil, Ignition | A203039 | 1 |

Air Cleaner



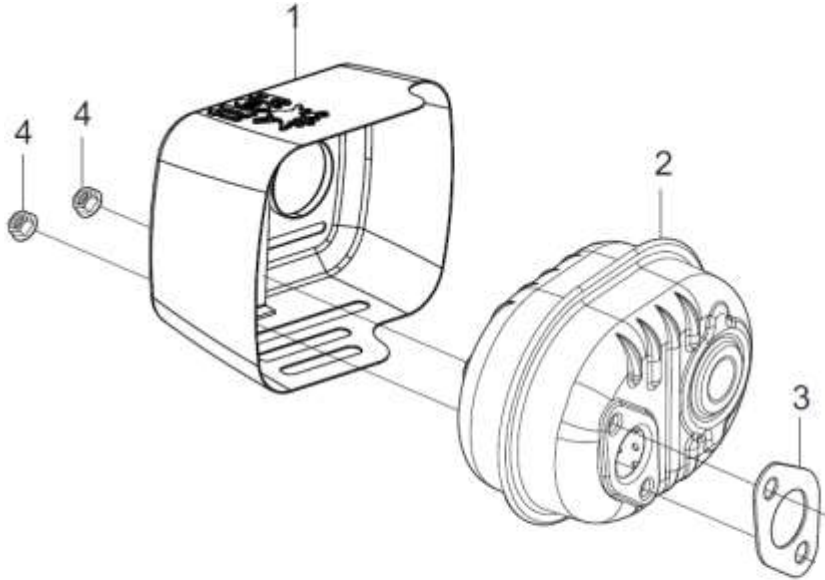
| REF. NO. | DESCRIPTION | PART NO. | RQD |
|----------|----------------------------------|-----------------------|-----|
| 1 | Gasket, Air Filter | A201696 | 1 |
| 2 | Tube, Breather | A201697 | 1 |
| 3 | M6x1.0 Flange Nut, Zinc, Grade 8 | <i>Reference Only</i> | 2 |
| 4 | Kit, Air Filter Housing | A201763 | 1 |
| 5 | Element, Filter | A201700 | 1 |
| 6 | Cover, Air Filter | A201764 | 1 |

Control



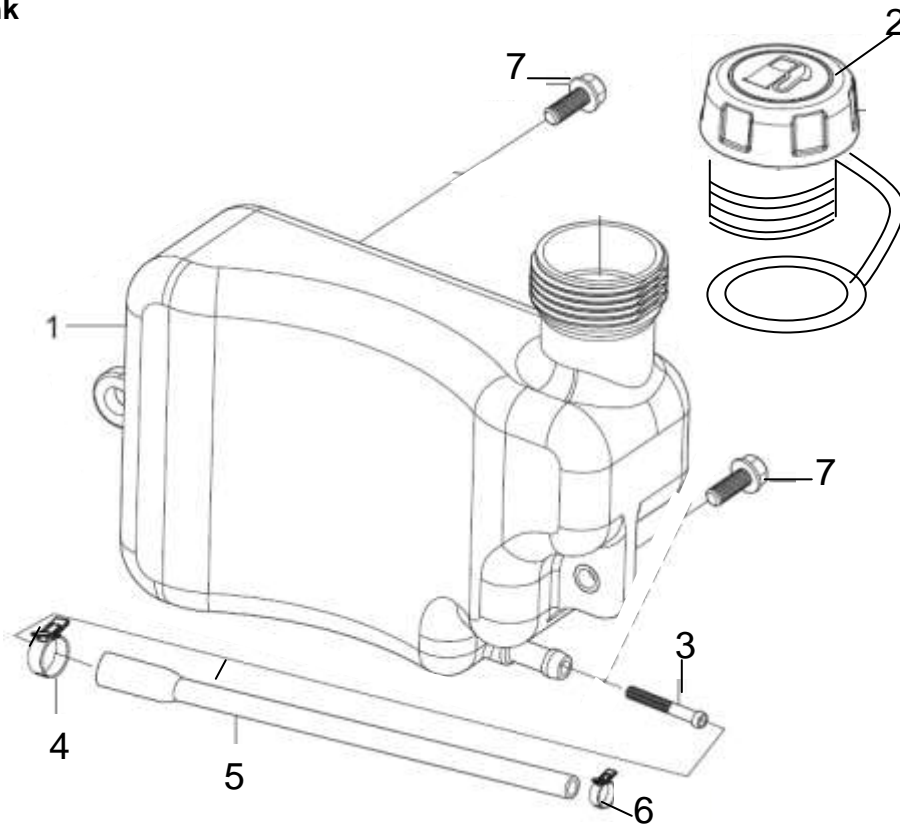
| REF. NO. | DESCRIPTION | PART NO. | RQD |
|----------|--|-----------------------|-----|
| 1 | Rod, Governor | A201702 | 1 |
| 2 | Spring, Throttle Return | A201703 | 1 |
| 3 | Bracket, Throttle Control | <i>Reference Only</i> | 1 |
| 4 | Clip – 1 | <i>Reference Only</i> | 1 |
| 5 | Clip – 2 | <i>Reference Only</i> | 1 |
| 6 | Bolt, Governor Arm | <i>Reference Only</i> | 1 |
| 7 | Nut, Governor | <i>Reference Only</i> | 1 |
| 8 | Arm, Governor | <i>Reference Only</i> | 1 |
| 9 | Spring, Governor | A201710 | 1 |
| 10 | M6x1.0x12 Hex Flange Bolt, Zinc, Grade 8.8 | <i>Reference Only</i> | 2 |

Muffler



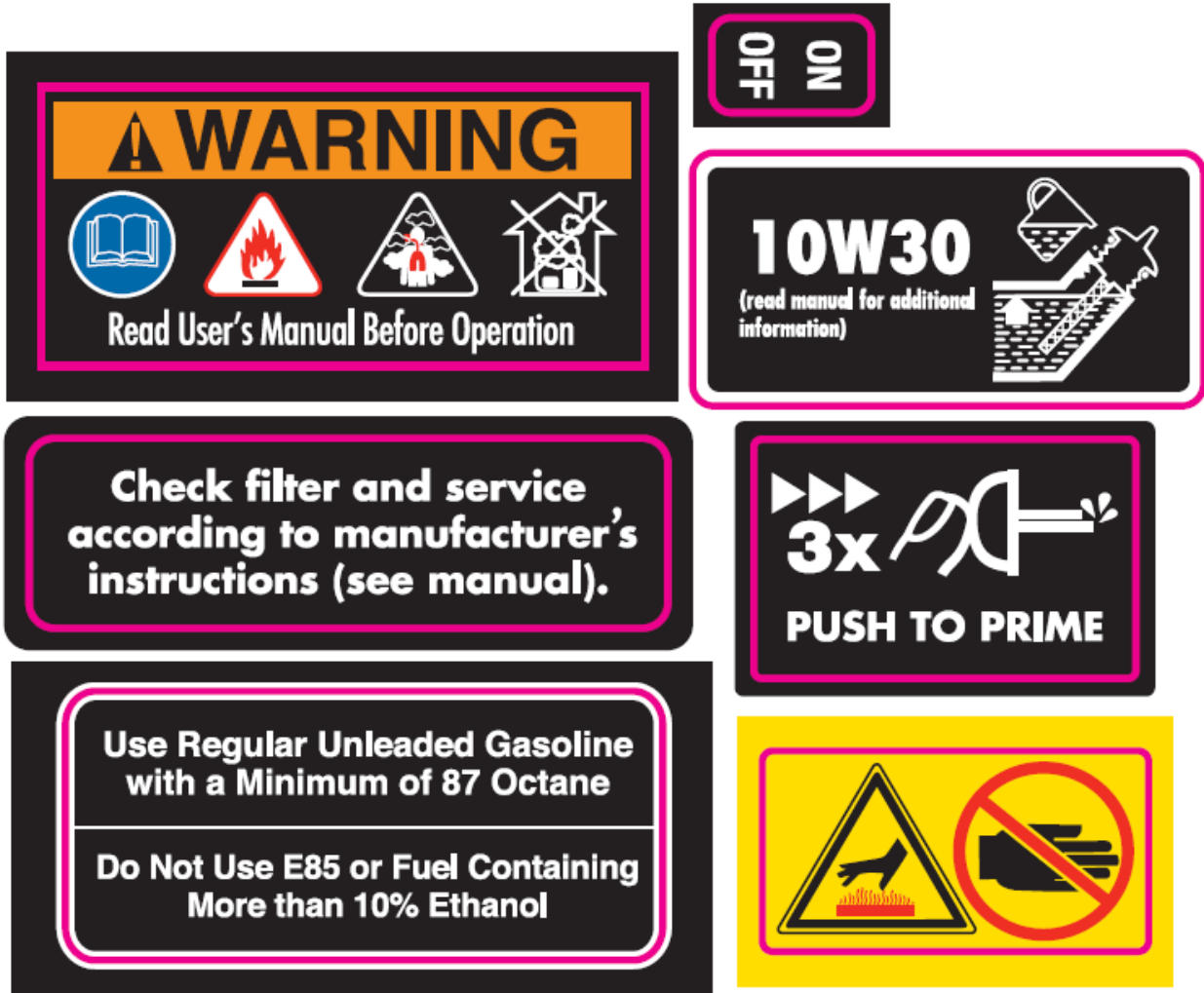
| REF. NO. | DESCRIPTION | PART NO. | RQD |
|----------|--------------------------------------|-----------------------|-----|
| 1 | Shield, Muffler | A201712 | 1 |
| 2 | ASM, Muffler | A203045 | 1 |
| 3 | Gasket, Muffler | A203047 | 1 |
| 4 | M6x1.0 Hex Flange Nut, Zinc, Grade 8 | <i>Reference Only</i> | 2 |

Fuel Tank



| REF. NO. | DESCRIPTION | PART NO. | RQD |
|----------|---|-----------------------|-----|
| 1 | Tank, Fuel | A201717 | 1 |
| 2 | Cap, Fuel – EPA3 | A202482 | 1 |
| 3 | Filter, Fuel | A201722 | 1 |
| 4 | Clamp, Fuel Line – 1 | <i>Reference Only</i> | 1 |
| 5 | Line, Fuel | A201724 | 1 |
| 6 | Clamp, Fuel Line – 2 | <i>Reference Only</i> | 1 |
| 7 | M6x1.0x14 Hex Flange Head Bolt, Zinc, Grade 8.8 | <i>Reference Only</i> | 2 |

Engine Decals



| REF. NO. | DESCRIPTION | PART NO. | QTY |
|----------|--|----------|-----|
| - | Decal Sheet, PFTT140/SFTT140 RATO Engine | A202631 | 1 |