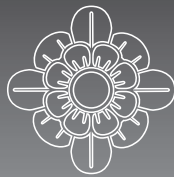
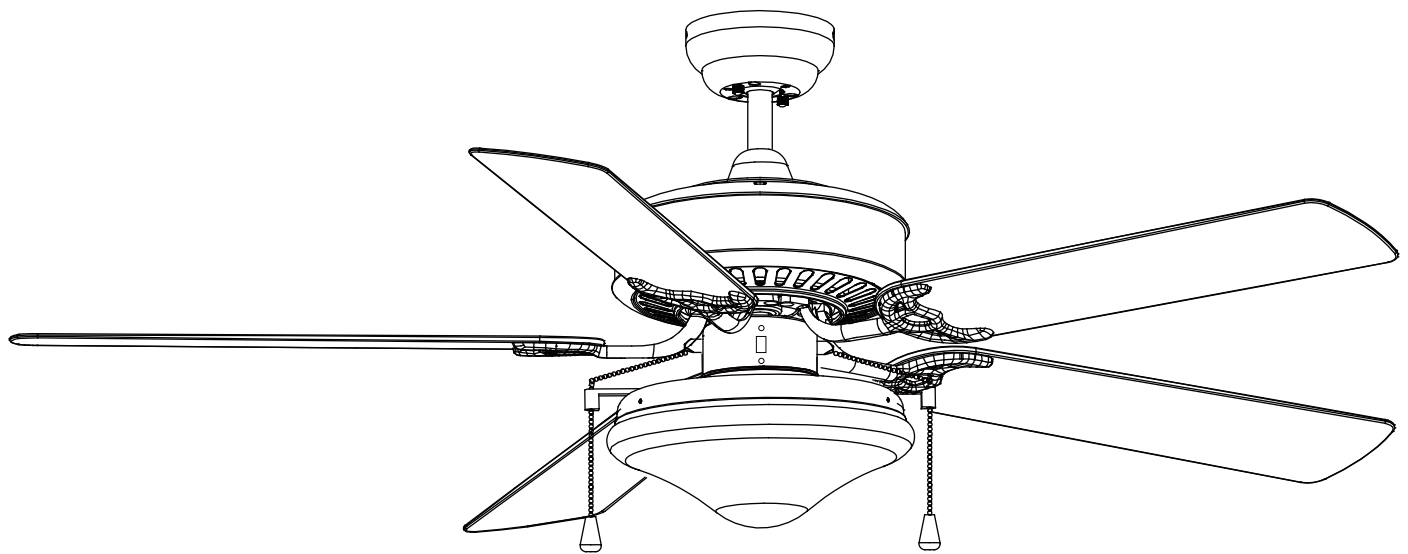


MONTE CARLO



CEILING FAN COMPANY

Owner's Guide and Installation Manual



5HVO52XXXD Series Fan

CUL Model NO. : 5HVO52XXXD

Attach sales receipt to this card and retain as your proof of purchase

DATE OF PURCHASE: _____

RETAILER NAME: _____

MODEL NUMBER: _____

RETAILER ADDRESS: _____

To register your fixture, please visit our website www.montecarlofans.com



8.3 kgs
18.3 lbs

Total fan weight with light



Cautions and Warnings

WARNING: TO REDUCE THE RISK OF FIRE, ELECTRIC SHOCK, OR INJURY TO PERSONS, OBSERVE THE FOLLOWING READ AND SAVE THESE INSTRUCTIONS

Installation work and electrical wiring must be done by qualified person(s) in accordance with applicable codes and standards (ANSI/NFPA 70) including fire-rated construction.

Use this unit only in the manner intended by the manufacturer. If you have any questions contact the manufacturer.

After making the wire connections, the wires should be spread apart with the grounded conductor and the equipment-grounding conductor on one side of the outlet box and ungrounded conductor on the other side of the outlet box. The splices, after being made, should be turned upward and pushed carefully up into the outlet box.

WARNING: Before you begin installing the fan, servicing or cleaning unit, Switch power off at Service panel and lock service disconnecting means to prevent power from being switched on accidentally. When the service disconnecting means cannot be locked, securely fasten a prominent warning device, such as a tag, to the service panel.

Be cautious! Read all instructions and safety information before installing your new fan. Review the accompanying assembly diagrams.

When cutting or drilling into wall or ceiling, do not damage electrical wiring and other hidden utilities.

Make sure the installation site you choose allows the fan blades to rotate without any obstructions. Allow a minimum clearance of 7 feet from the floor to the trailing edge of the blade.

WARNING: To Reduce The Risk Of Fire, Electric Shock, or Personal Injury, Mount To Outlet Box Marked "Acceptable for Fan Support of 15.9 kg (35 lbs) or less" And Use Mounting Screws Provided With The Outlet Box.

CAUTION: For Compliance with Local Codes and Regulations, If Installing The Secondary Support Safety Cable in the U.S., Do Not Remove Knockouts In The Outlet Box. Mount the secondary support safety cable through the reserved nail/screw hole on the outlet box to the building structure (or the ceiling joist).

WARNING: To reduce the risk of personal injury, do not bend blade holders during installation to motor, balancing or during cleaning. Do not insert foreign object between rotating blades.

Attach the mounting bracket using only the hardware supplied with the outlet box.

WARNING: To reduce the risk of fire or electric shock, do not use this fan with any unverified solid state fan speed control device, or variable speed control.

If this unit is to be installed over a tub or shower, it must be marked as appropriate for the application.

Never place a switch where it can be reached from a tub or shower.

The combustion airflow needed for safe operation of fuel-burning equipment may be affected by this unit's operation. Follow the heating equipment manufacturer's guideline safety standards such as those published by the National Fire Protection Association (NFPA), and the American Society for Heating, Refrigeration and Air Conditioning Engineers (ASHRAE) and the local code authorities.

CAUTION: To Reduce the Risk of Electric Shock, Disconnect the electrical supply circuit to the fan before installing the light kit.

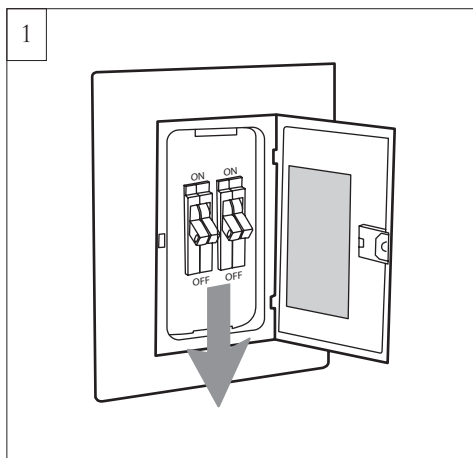
All set screws must be checked and tightened where necessary before installation.

Note: Suitable for use in wet locations when installed in a GFCI protected branch circuit.

Tools Required for Assembly (not included): Electrical Tape, Phillips Screwdriver, Pliers, Safety Glasses, Stepladder and Wire Strippers

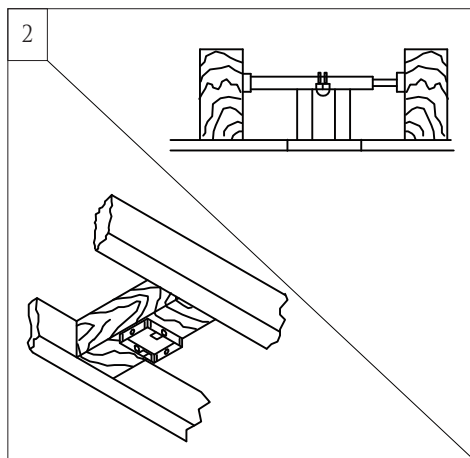
Customer Service
800-969-3347

Customer Service Center
7400 Linder Ave.
Skokie, IL 60077
www.montecarlofans.com

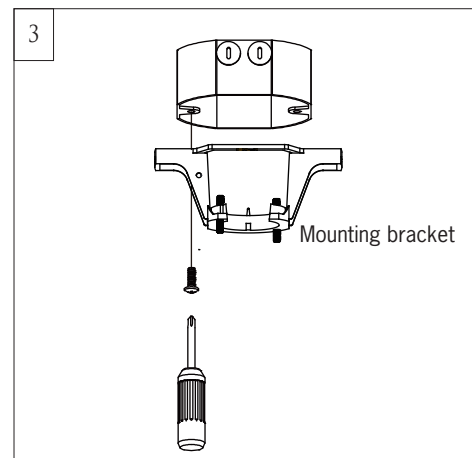


Before you begin installing the fan, Switch power off at Service panel and lock service disconnecting means to prevent power from being switched on accidentally. When the service disconnecting means cannot be locked, securely fasten a warning device, such as a tag, to the service panel.

Use AC 120V/60HZ power supply only.

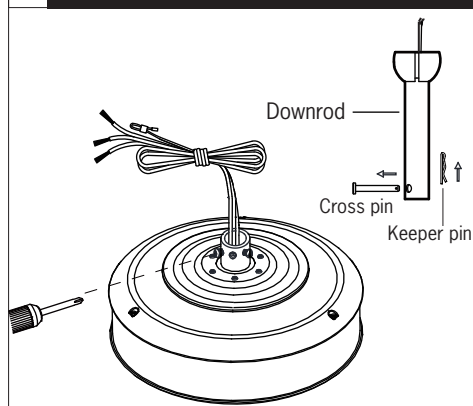


Before installing this fan make sure the outlet box is properly installed to the house structure. To reduce the risk of fire, electric shock, or personal injury, mount to outlet box or supporting system acceptable for fan support. (Mounting must support at least 35 lbs.)

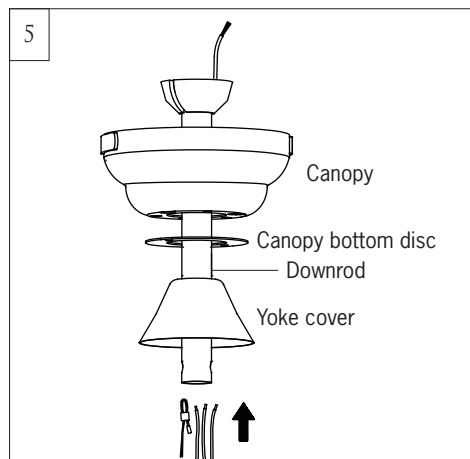


Use metal outlet box suitable for fan support and use only the screws provided with the outlet box (must support 35 lbs). Before attaching fan to outlet box, ensure the outlet box is securely fastened by at least two points to a structural ceiling member (a loose box will cause the fan to wobble). Remove the two outlet box screws provided with the box, aligning the holes of the mounting bracket with the holes of the outlet box. Reinstall the 2 outlet box screws securely.

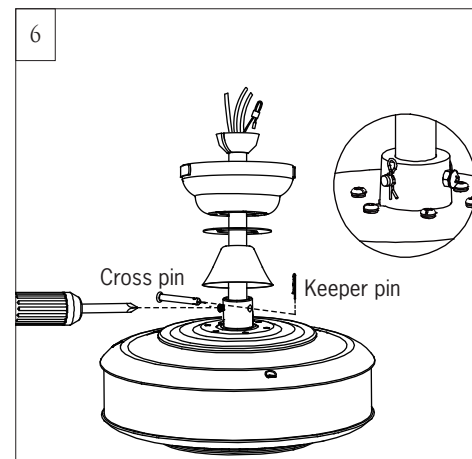
4 Downrod Mount Installation



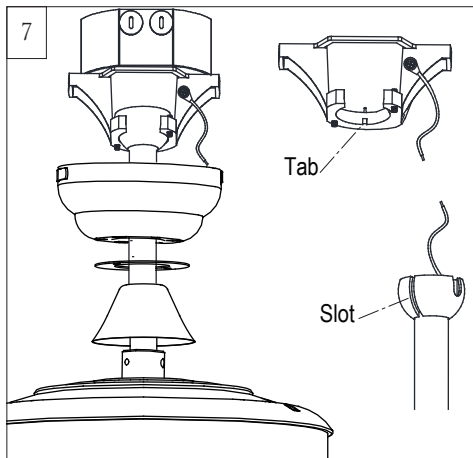
Partially loosen downrod set screws from yoke at top of motor assembly. Remove preassembled cross pin and keeper pin from downrod.



Place downrod over canopy, canopy bottom disc and yoke cover. Thread lead wires and safety cable from motor assembly through downrod.



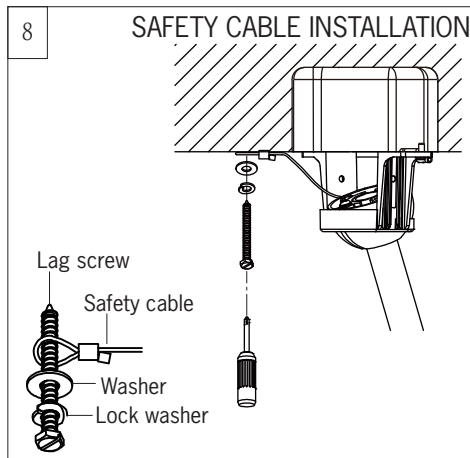
Slip downrod into motor housing yoke, aligning holes and install cross pin and keeper pin. Insert cross pin through yoke and downrod until point appears on the other side, and insert keeper pin on cross pin. Pull the downrod up tight against the cross pin, and then evenly tighten the downrod set screws on motor housing yoke. Place yoke cover on top housing of fan. **Warning:** Cross pin and keeper pin must be installed securely, failure to install them will result in serious injury.



Install ball end of downrod into mounting bracket opening. Align (engage) slot on ball with tab on mounting bracket.

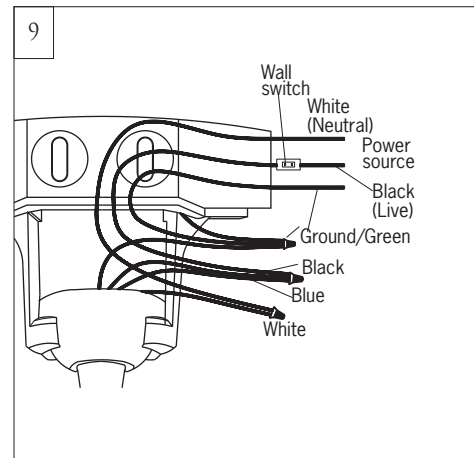
Warning: Failure to align slot on ball with tab may result in serious injury.

Important: If using the angle mount, make sure open end of mounting bracket is installed facing the higher point of the ceiling and make sure the ceiling angle is not steeper than 30°.

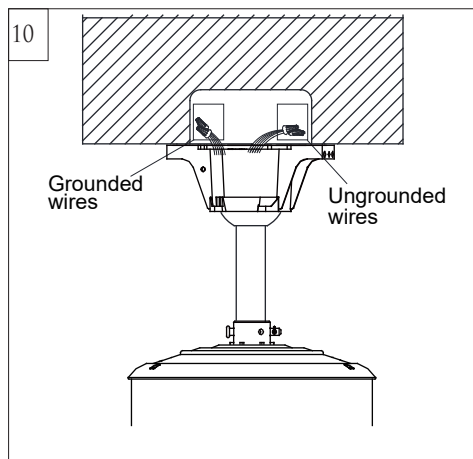


For Canadian installation and for USA fan and light kit combinations over 35 lbs, in both flush and downrod modes the safety cable must be installed into the house structure beams using 3" lag screws, washers and lock washers provided. Make sure that when the safety cable is fully extended the lead wires are longer than the cable and no stress is placed on the lead wires.

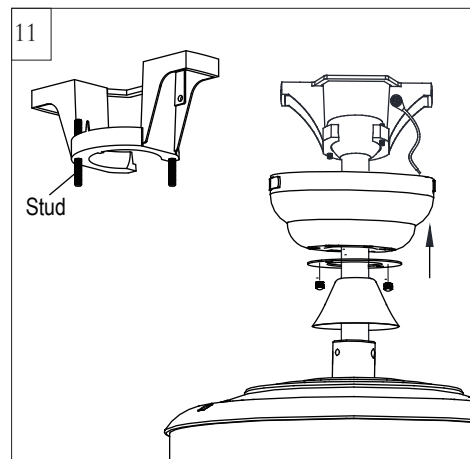
Note: If Installing The Secondary Support Safety Cable in the U.S., Do Not Remove Knockouts In The Outlet Box.



Make wiring connections using wire connectors provided as indicated above. White from fan to White (Neutral) from house. Black and Blue from fan to Black (Live) from house. Connect all green grounded wires to Grounded wire from House. Make sure that no filaments are outside of the wire connectors.



After making the wire connections, the wires should be spread apart with the grounded conductor and the equipment-grounding conductor on one side of the outlet box and ungrounded conductor on the other side of the outlet box. The splices after being made should be turned upward and pushed carefully up into the outlet box.

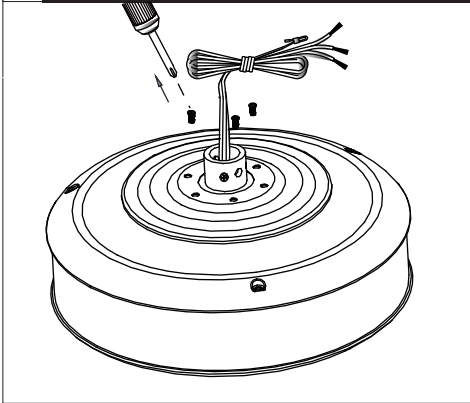


Lift Canopy allowing the 2 studs to protrude through the canopy. Next lift the cover ring and install knurled nuts as shown. Tighten the knurled nuts securely. The canopy should adjust for any irregularity in the ceiling or Outlet box. Make sure the studs protruding from the bottom of the Mounting bracket are installed with threads all the way through the bracket.

Go to step 19 to finish installation



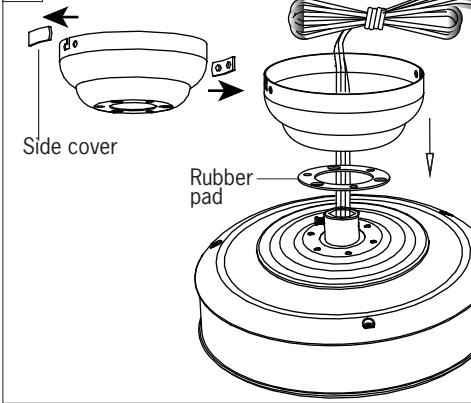
12 Flush Mount Installation



Remove every other screws from yoke located on top of fan assembly. Keep screws.

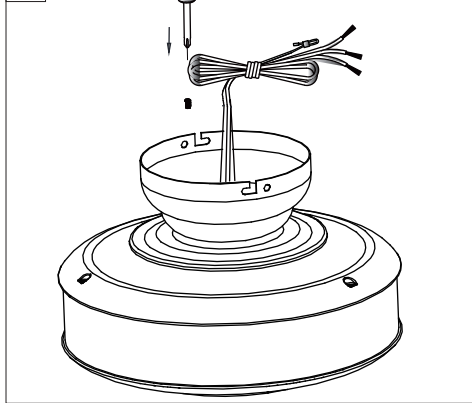
Note: Flush mount is not available with vaulted ceiling.

13



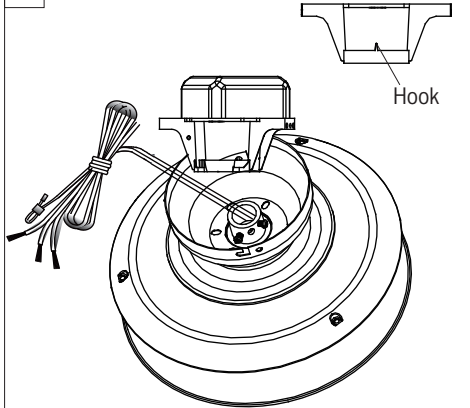
Remove side covers from canopy exposing 4 holes. 2 closed holes and 2 open "L" shape holes. Place rubber pad and canopy over lead wire and safety cable and align the larger holes in canopy and holes on rubber pad with the set screws on yoke.

14



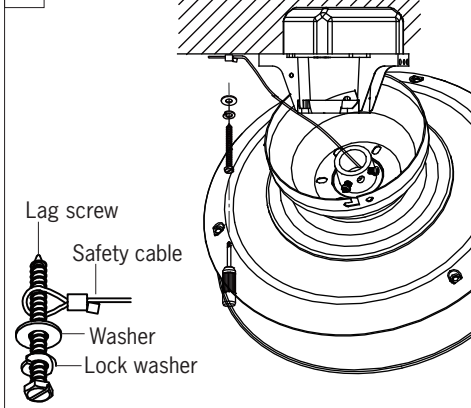
Reinstall the 3 set screws remove in step 12. Tighten screws securely.

15



To prepare the fan for wiring, hang fan onto mounting bracket by sliding the canopy over the mounting bracket hook **(Use one of non-slotted holes on the rim of the canopy)**.

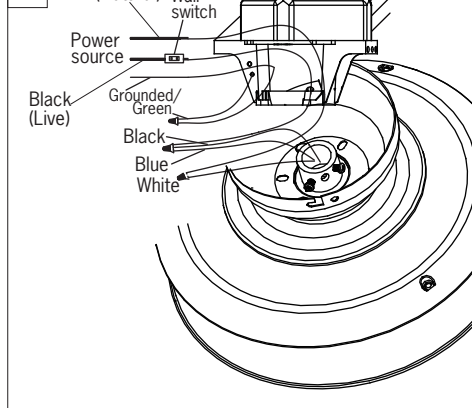
16 SAFETY CABLE INSTALLATION



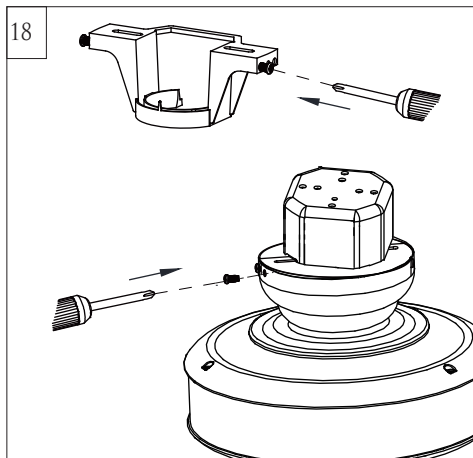
For Canadian installation and for USA fan and light kit combinations over 35 lbs, in both flush and downrod modes the safety cable must be installed into the house structure beams using 3" lag screws, washers and lock washers provided. Make sure that when the safety cable is fully extended the lead wires are longer than the cable and no stress is placed on the lead wires.

Note: If Installing The Secondary Support Safety Cable in the U.S., Do Not Remove Knockouts In The Outlet Box.

17

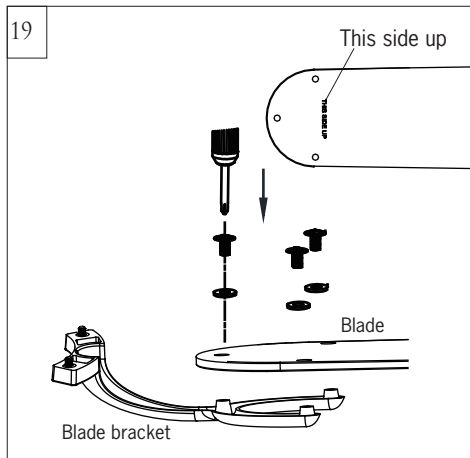


Make wiring connections using wire connectors provided as indicated above. White from fan to White (Neutral) from house. Black and Blue from fan to Black (Live) from house. Connect all green grounded wires to Grounded wire from House. Make sure that no filaments are outside of the wire connectors. After making the wire connections, the wires should be spread apart with the grounded conductor and the equipment-grounding conductor on one side of the outlet box and ungrounded conductor on the other side of the outlet box. The splices after being made should be turned upward and pushed carefully up into the outlet box.



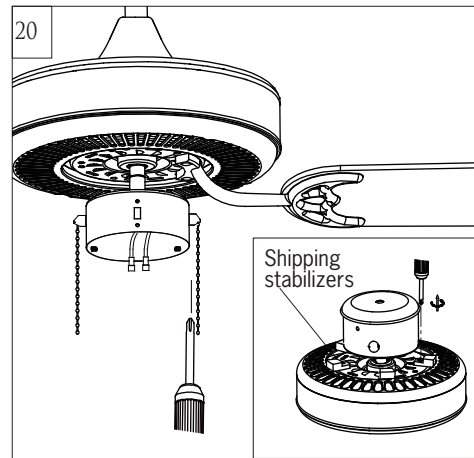
Install 2 of the screws to the side panel of mounting bracket corresponding to the open slotted holes on the canopy upper rim, screws provided. Remove the thread studs from the lower part of the mounting bracket.

Lift fan to mounting bracket, aligning the "L" shape holes on canopy with the screws on the mounting bracket. Turn the fan clockwise to lock in position. Install the other 2 canopy mounting set screws from the hardware pack and tighten all screws securely.



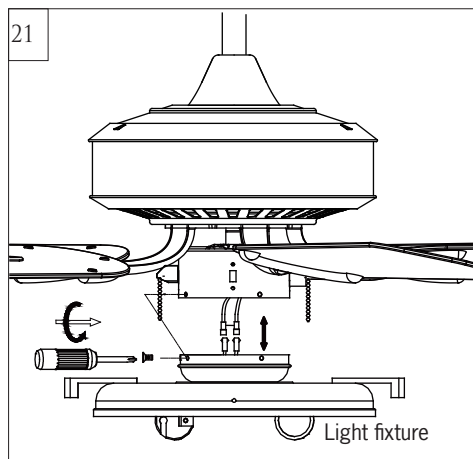
Install blade bracket with blade by 3 blade screws and washers provided. Tighten screws securely. Repeat this process for remaining blades.

Note: Make sure the side with a label "This side up" is installed upward.



Remove shipping stabilizers from motor assembly.

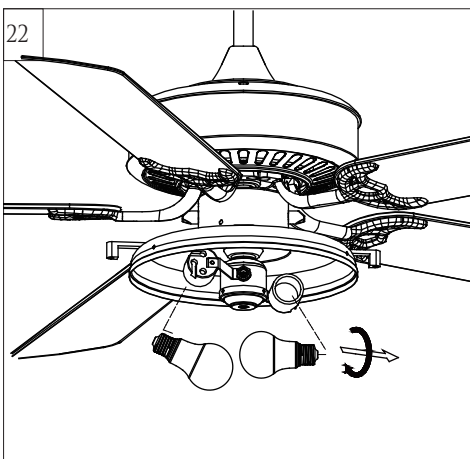
Install the blade assembly to motor using the preinstalled screws. Tighten screws securely. Repeat this process for remaining blade assemblies.



Remove the set screws from switch housing cap on top of light fixture. Keep screws.

Connect light lead wires. White to white, blue (or black) to black (or blue). Make sure the quick connectors are clasped firmly.

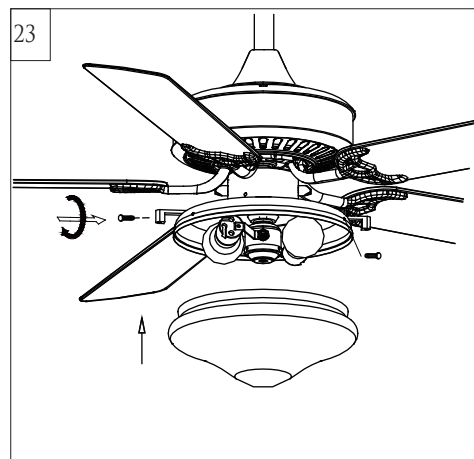
Align the pull chains from fan with the pull chain guides on light fixture and then attach light fixture onto the switch housing of fan, aligning the holes and reinstall the set screws.



Install 2 x 10W medium base dimmable LED bulbs. California Title 24 compliant bulbs included.

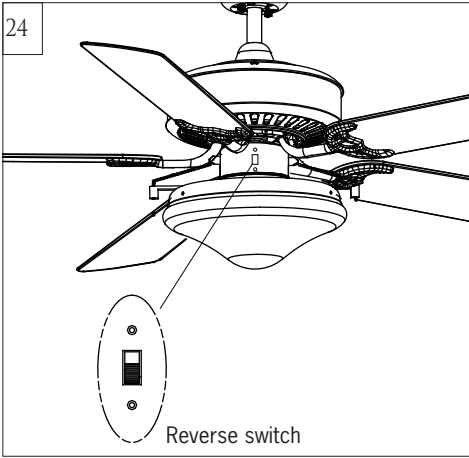
Caution: Approved for use with LED light bulb only (Part No. 97502S). **Do not use incandescent light bulb.**

Caution: Do not replace bulb until it cools down.



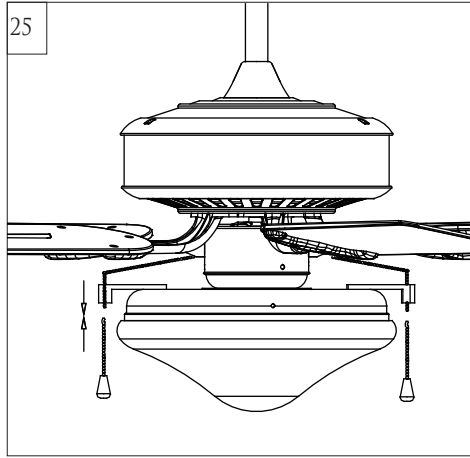
Partially loosen 3 set screws from light fixture.

Attach glass onto light fixture and hand tighten the set screws to hold the glass in place.

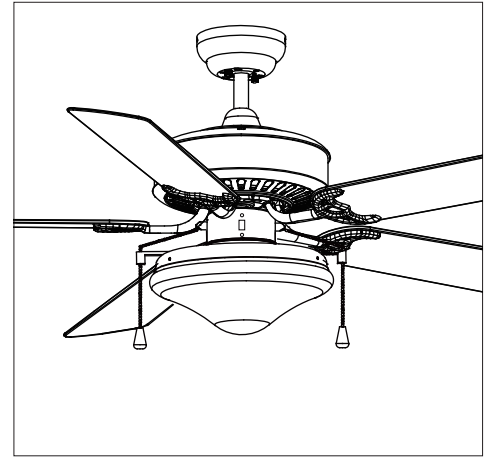


Setting the reverse switch in the down position will result in downward airflow and setting the switch in the up position will result in upward airflow.

Note: Reverse switch must be set either completely down or completely up for fan to function. If the reverse switch is set in the middle position, fan will not operate.



Thread pull chains through pull chain guides, and install pull chains to preassembled pull chains on fan. Pull chains provided.





Trouble Shooting

If you have difficulty operating your new ceiling fan, it may be the result of incorrect assembly, installation, or wiring. In some cases, these installation errors may be mistaken for defects. If you experience any faults, please check this Trouble Shooting Chart. If a problem cannot be remedied, or you are experiencing difficulty in installation, please call our Customer Service Center at the number printed on your parts list insert sheet.

Warning: Before servicing or cleaning unit, Switch power off at Service panel and lock service disconnecting means to prevent power from being switched on accidentally. When the service disconnecting means cannot be locked, securely fasten a prominent warning device, such as a tag, to the service panel.

| Trouble | Suggested Remedy |
|----------------------------|---|
| 1. If fan does not start: | <ol style="list-style-type: none">1.Check main and branch circuit fuses or circuit breakers.2.Check line wire connections to fan and switch wire connections in switch housing. <p>CAUTION: Make sure main power is turned off.</p> <ol style="list-style-type: none">3.If this fan uses manual forward/reverse switch, make sure the switch is pushed firmly either way. Fan will not operate when switch is in the middle.4.If this fan uses remote controller, make sure dip switches are setting properly and make sure battery is effective. |
| 2. If fan sounds noisy: | <ol style="list-style-type: none">1.Check to make sure all screws in motor housing are snug (not over tightened).2.Check to make sure the screws which attach the fan blade holder to the motor are tight.3.Check to make sure wire nut connectors in switch housing are not rattling against each other or against the interior wall of the switch housing. <p>CAUTION: Make sure main power is turned off before entering switch housing.</p> <ol style="list-style-type: none">4.Check to be sure light bulb is tight in socket and not touching the glass shade.5.Some fan motors are sensitive to signals from Solid State variable speed controls.6.Allow "break-in" period of 24 hours. Most noises associated with a new fan will disappear after this period. |
| 3. If fan wobbles: | <ol style="list-style-type: none">1.If this is a downrod mount fan, make sure the ridge on mounting bracket engages the notch in the downrod ball.2.Make sure that canopy, mounting bracket or mounting plate are tightened securely to ceiling junction box and junction box is mounted firmly to ceiling joist.3.Check that all blades are screwed firmly into blade holders.4.Check that all blade holders are tightened securely to motor.5.Most fan wobble problems are caused when blade levels are unequal. Check this level by selecting a point on the ceiling above the tip of one of the blades. Measure this distance from blade tip to ceiling. Keeping measure within 1/8", rotate the fan until the next blade is positioned for measurement. Repeat for each blade. If all blade levels are not equal, you can adjust blade levels by the following procedure. To adjust a blade tip down, insert a washer (not supplied) between the blade and blade holder at the screw closest to the motor. To adjust a blade tip up, insert washer (not supplied) between the blade and blade holder at the two screws farthest from the motor. Reverse the position of the washer if blades mount from top of blade.6.If blade wobble is still noticeable, interchanging two adjacent (side by side) blades can redistribute the weight and possibly result in smoother operation. <p>If the above steps do not eliminate the wobble problem, you will need to dynamic balance your fan with balancing kit provided.</p> |
| 4. If light does not work: | <ol style="list-style-type: none">1.Check blue wire from fan to make sure it is connected to hot wire from house.2.Check for loose or disconnected wires in fan switch housing.3.Check for loose or disconnected wires in light kit.4.Check for faulty light bulb and make sure bulb is tight in socket.5.Remove light kit and check the plug connections if they are present.6.If this fan uses remote controller, make sure dip switches are setting properly and make sure battery is effective. <p>CAUTION: Make sure main power is turned off before entering switch housing and/or canopy.</p> <p>WARNING: This fixture is equipped with a wattage limiting device. Over lamping the fixture will result in the lights shutting down and may damage the wattage limiter. Turn power off and replace with a proper wattage of lamps. Replacement lamps are available, please call customer care center.</p> |

Oct.2018