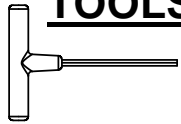


Ivy Terrace™

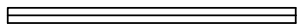
Model: IVR100

- (1) Hardware pack
- (2) Sideframes
- (2) Rocker bottoms
- (1) Back
- (1) Seat
- (1) Long brace
- (1) Short brace
- (1) Head piece

TOOLS NEEDED



4MM HEX KEY, ALLEN, T-HANDLE
INCLUDED

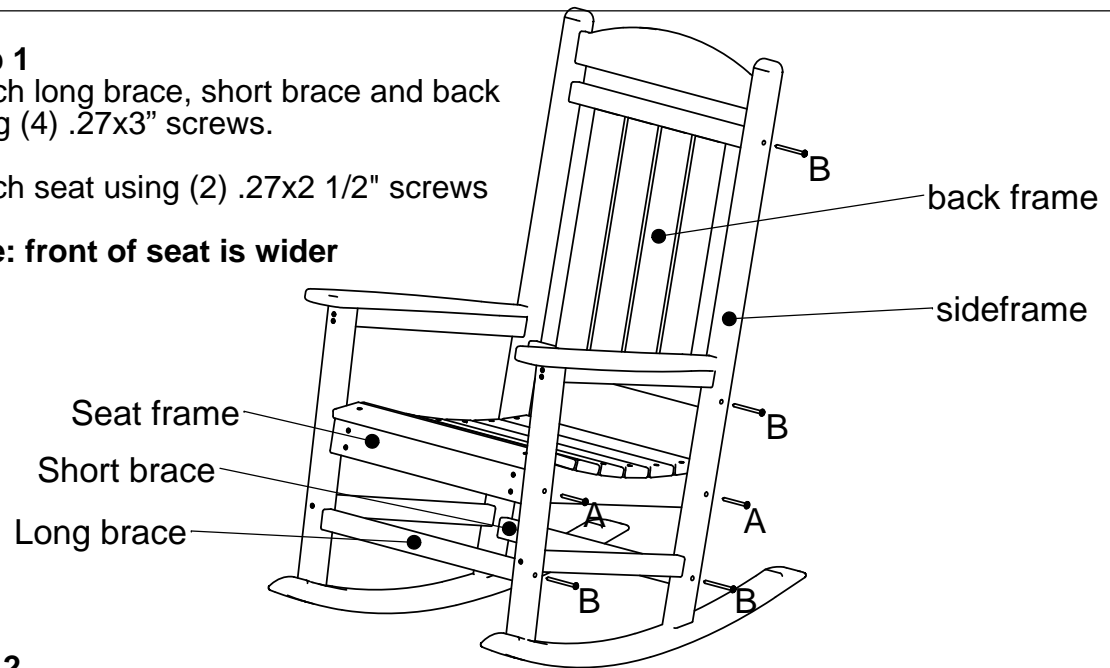


4MM HEX KEY, SHORT, FOR DRILL
INCLUDED

Step 1
Attach long brace, short brace and back using (4) .27x3" screws.

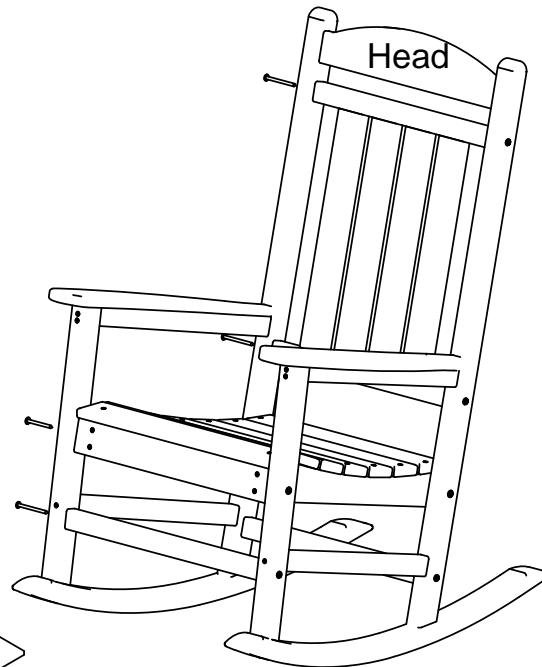
Attach seat using (2) .27x2 1/2" screws

Note: front of seat is wider

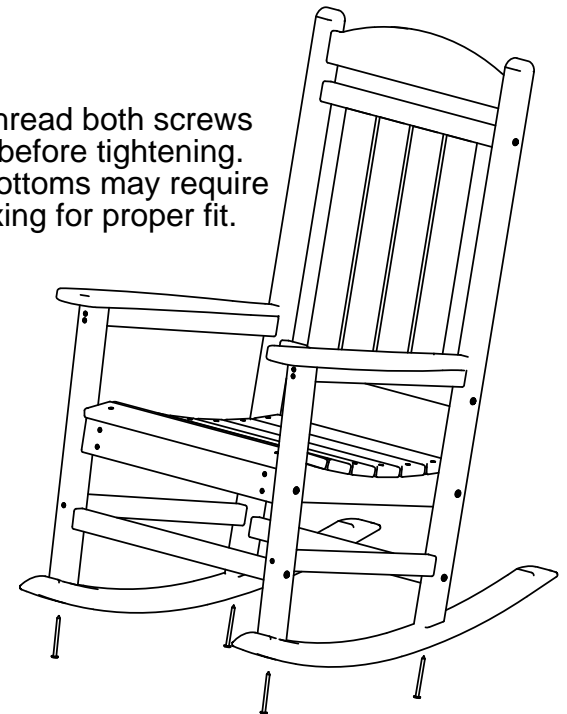


Step 2
Insert head piece into top of post
Repeat step 1 on other side

Step 3
Attach rocker bottom with (4) 14x3" screws



NOTE:
Partially thread both screws into post before tightening. Rocker bottoms may require some flexing for proper fit.



Qty.	Description
4	A - .27 X 2-1/2 SOCKET WAFER A
12	B - .27 X 3 SOCKET WAFER A

