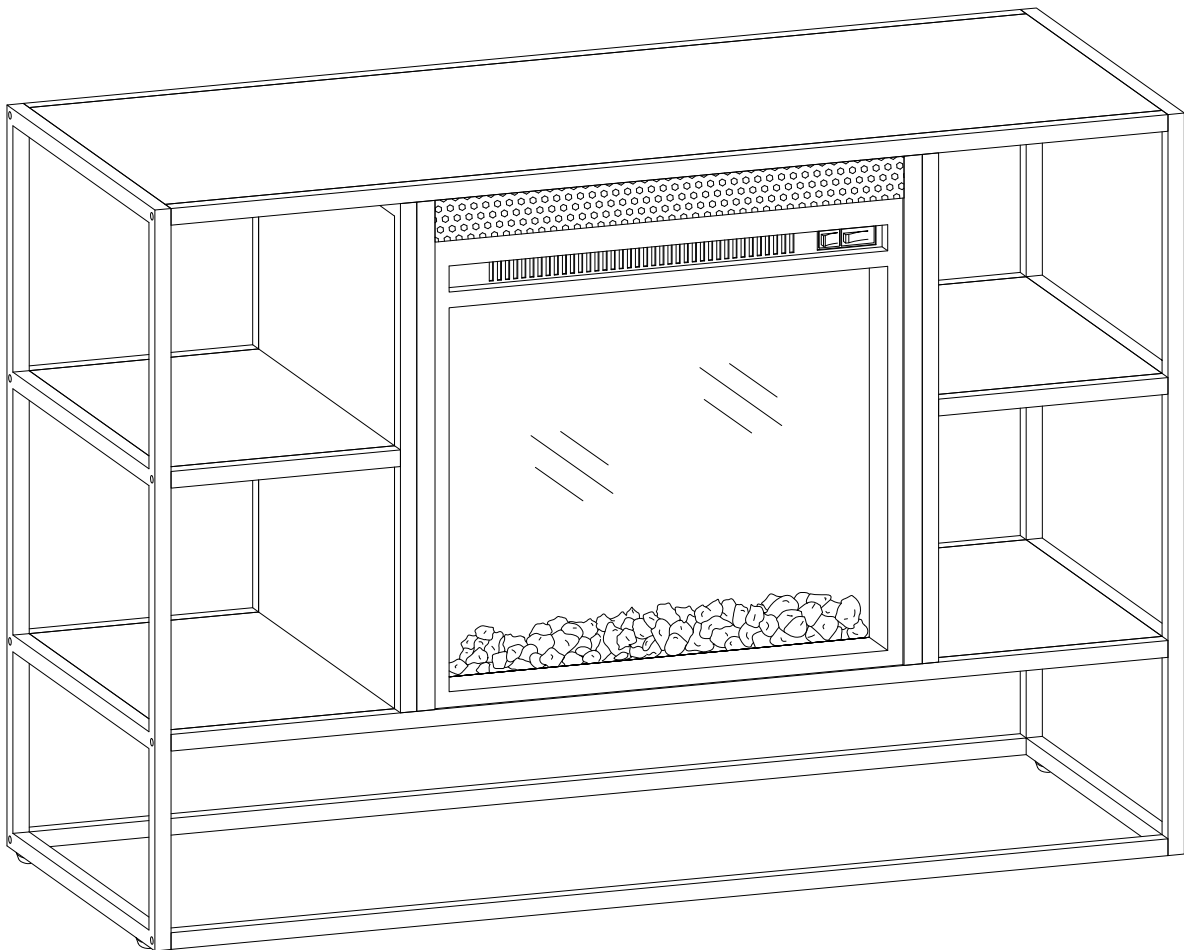




Walker<sup>®</sup>  
Edison

Item # : W40FPJER  
Assembly Instructions

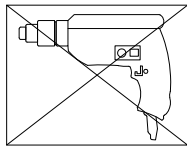


*Please visit our website for the most current instructions, assembly tips, report damage, or request parts. [www.walkeredison.com](http://www.walkeredison.com)*

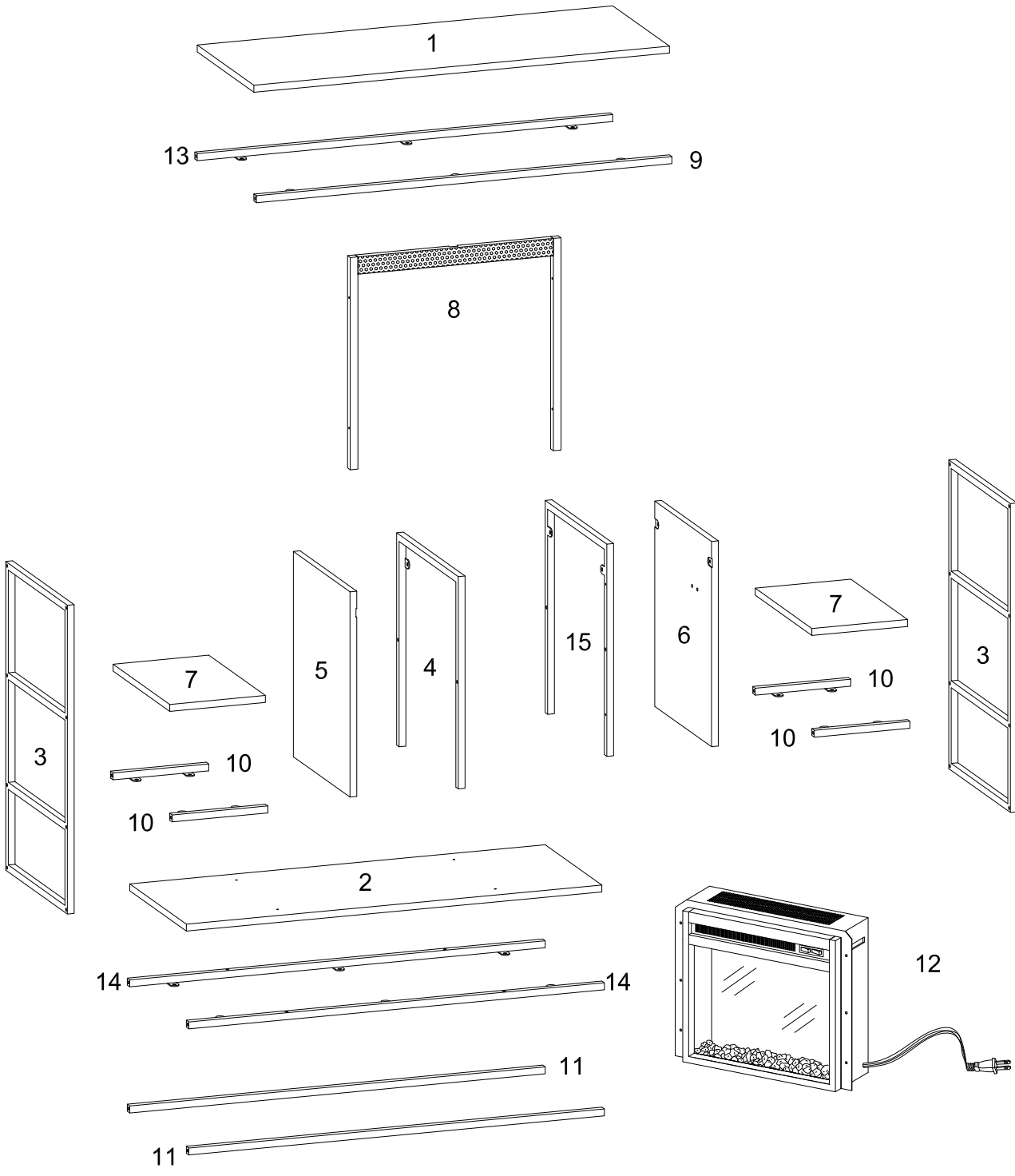
Revised 04/20/2018

# General Assembly Guidelines

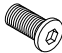
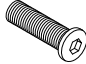
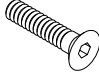
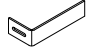

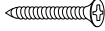


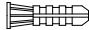
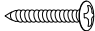

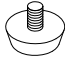
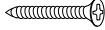
- I. Ensure that all parts and hardware are available before beginning assembly.
- II. Follow each step carefully to ensure the proper assembly of this product.
- III. Two people are recommended for ease in the assembly of this product.
- IV. The main type of hardware used to assemble this product is: bolts.
- V. Power tools should not be used to assemble this product .

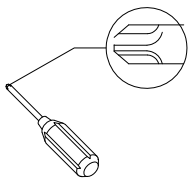


# Parts List



# Hardware List

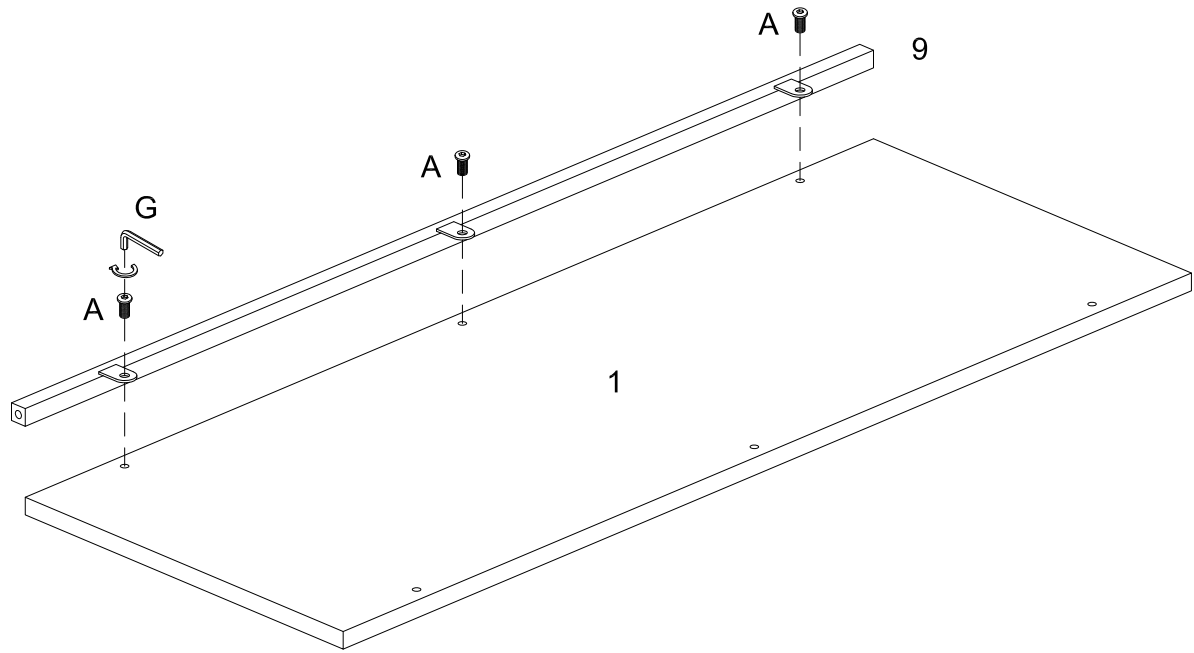
A		Ø1/4"x12mm	Bolt	26 pcs
B		Ø1/4"x25mm	Bolt	20 pcs
C		Ø1/4"x25mm	Bolt	4 pcs
D			Bracket	2 pcs
E		Ø4x12	Screw	4 pcs
F		Ø4x30	Screw	4 pcs
G		M4	Hex key	1 pc
H			Bracket	2 pcs
J			Anchor	2 pcs
K		Ø4x30mm	Screw	2 pcs
L		Ø16x6.5x1.0mm	Washer	2 pcs
M			Foot	4 pcs
N		Ø4x35	Screw	4 pcs



Philips head screwdriver required for assembly  
(not included)

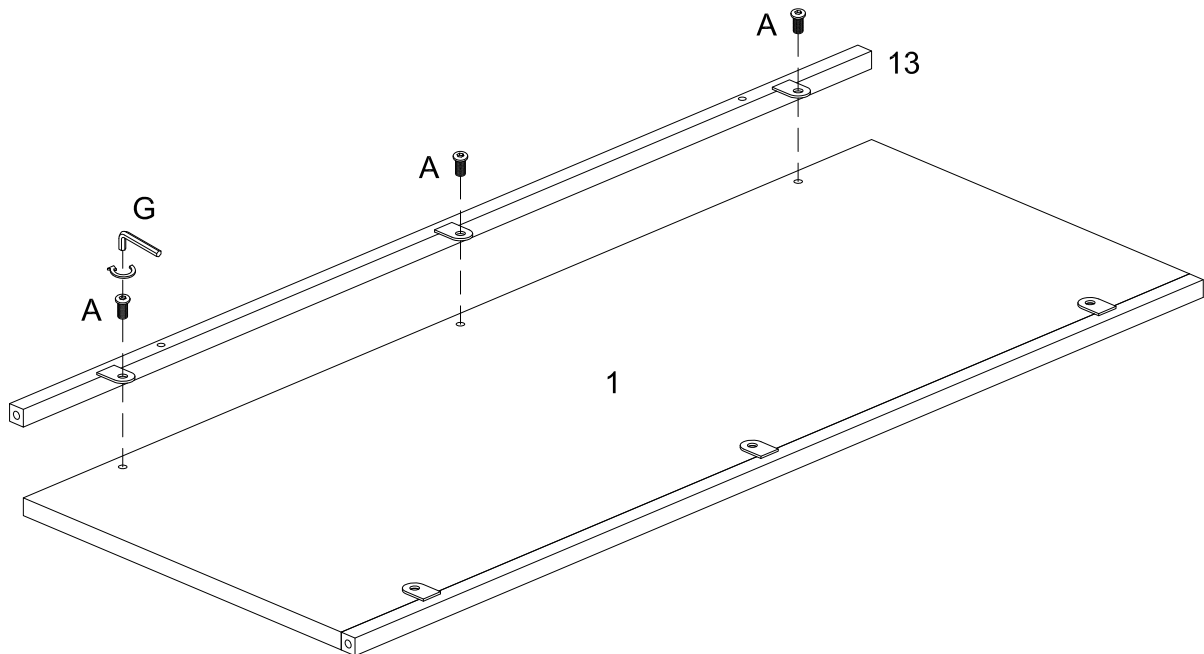
*The hardware quantities listed above are required for proper assembly.  
Some extra hardware may also have been included.*

## Step 1



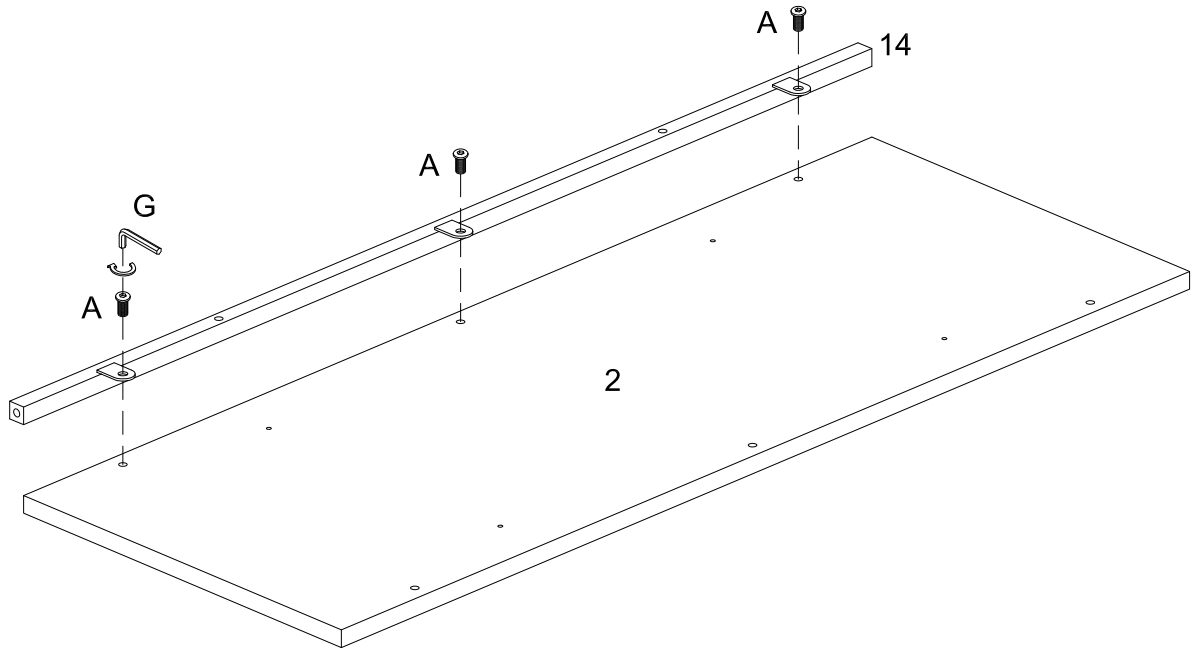
Attach part (9) to part (1) using bolt (A) and Hex Key (G).

## Step 2



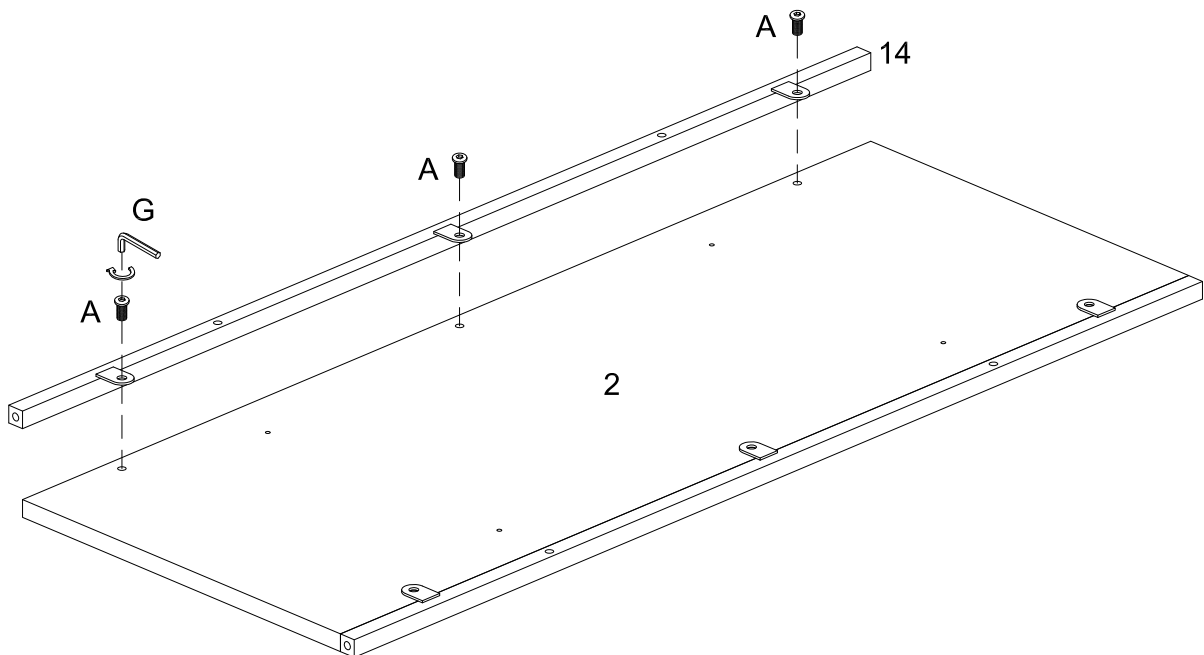
Attach part (13) to part (1) using bolt (A) and Hex Key (G).

## Step 3



Attach part (14) to part (2) using bolt (A) and Hex Key (G).

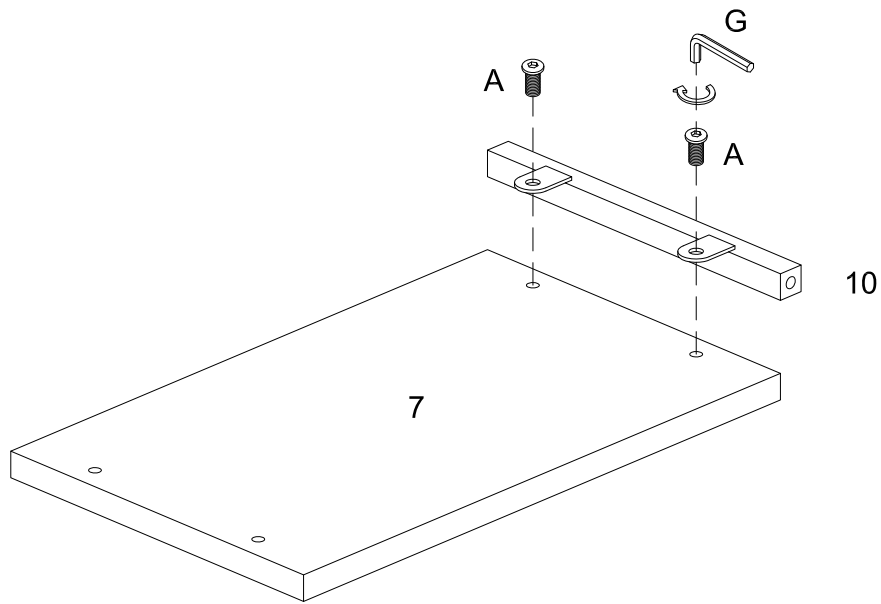
## Step 4



Attach part (14) to part (2) using bolt (A) and Hex Key (G).

## Step 5

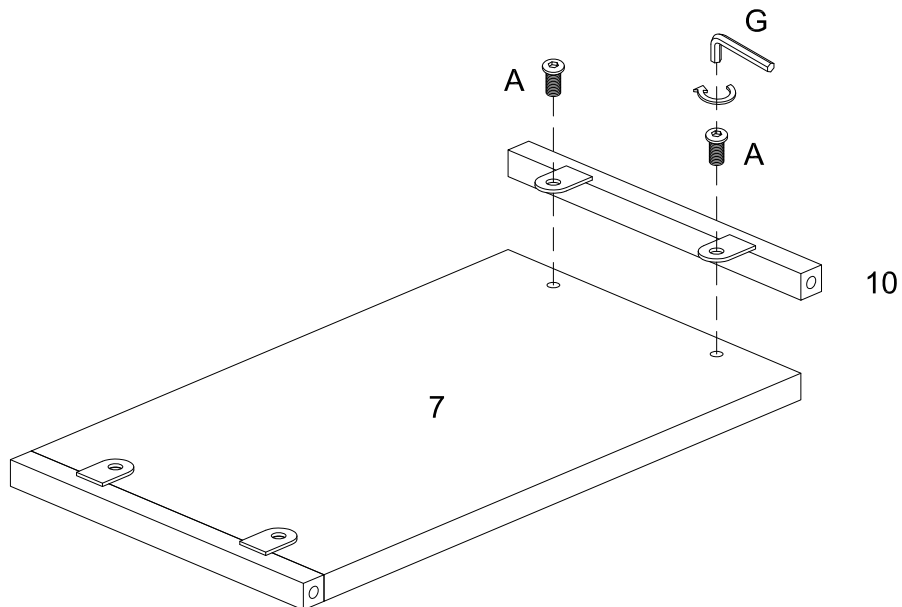
x 2



Attach part (10) to part (7) using bolt (A) and Hex Key (G). Repeat this step.

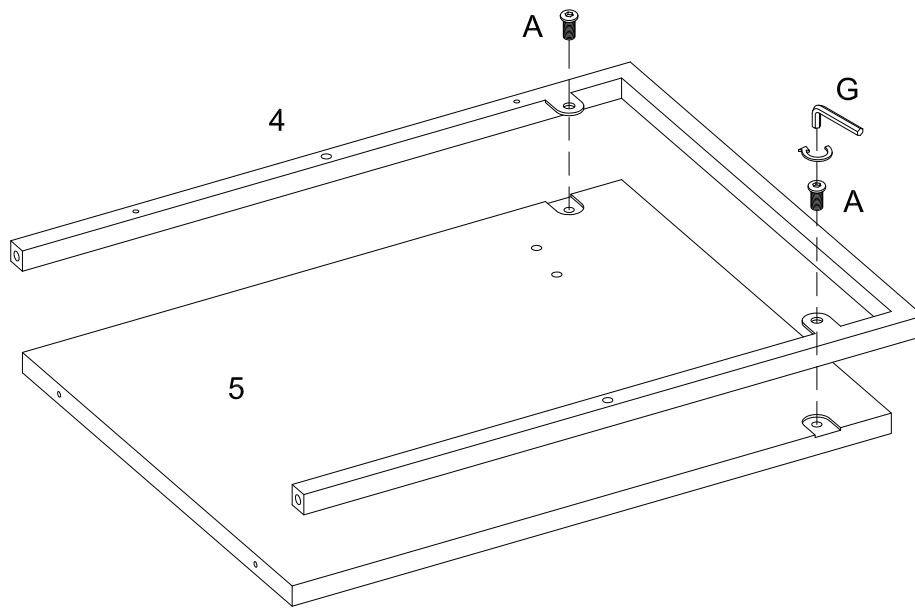
## Step 6

x 2



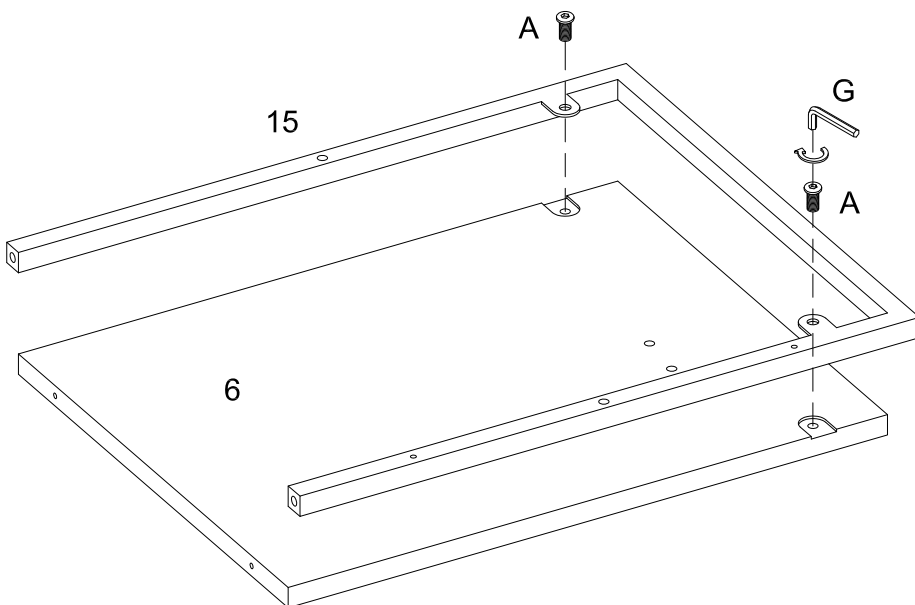
Attach part (10) to part (7) using bolt (A) and Hex Key (G). Repeat this step.

## Step 7



Attach part (4) to part (5) using bolt (A) and Hex Key (G).

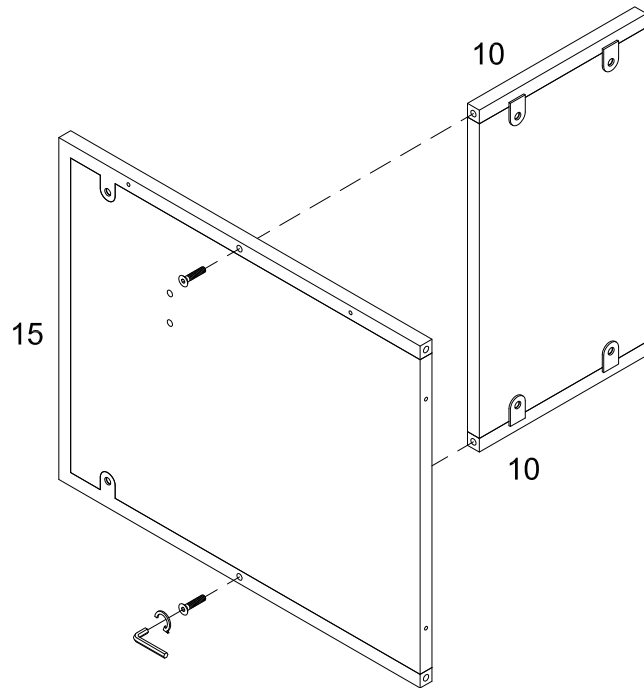
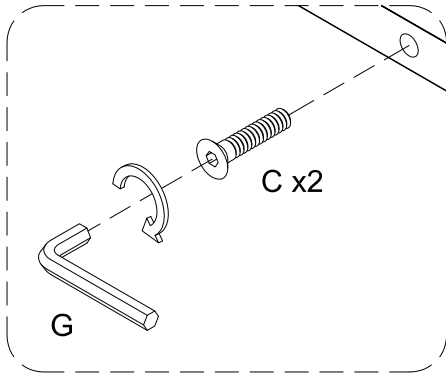
## Step 8



Attach part (15) to part (6) using bolt (A) and Hex Key (G).

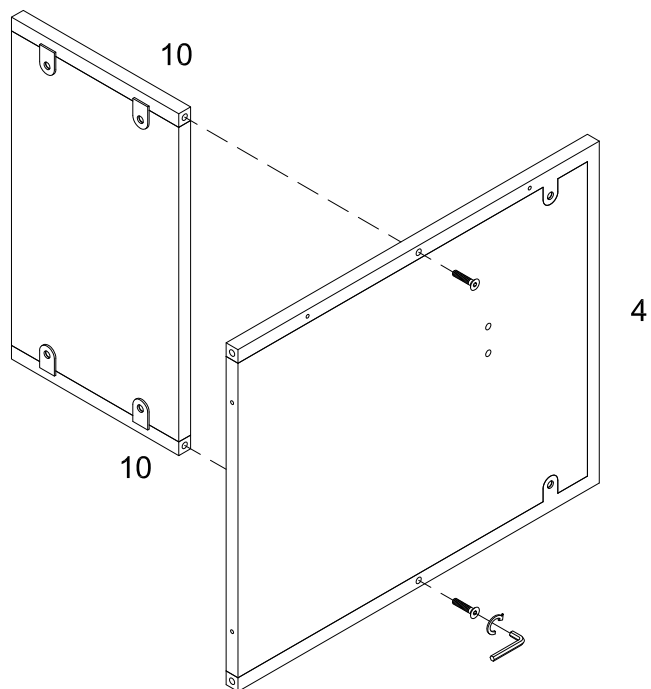
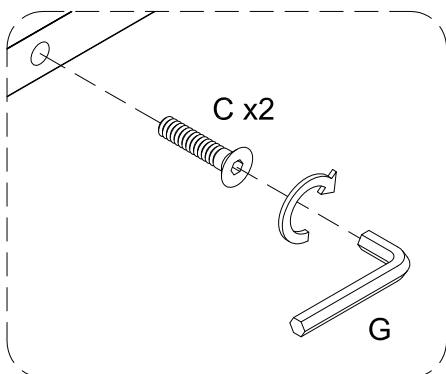


## Step 9



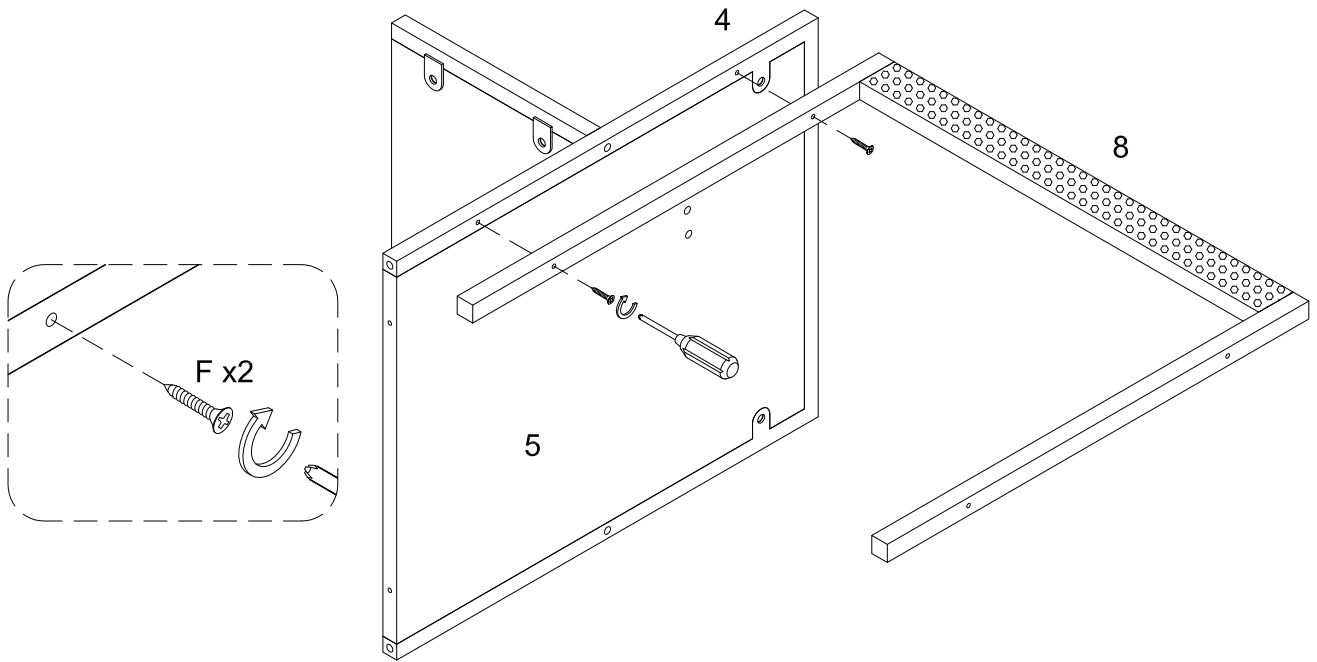
Attach part (15) to part (10) using bolt (C) and Hex Key (G).

## Step 10



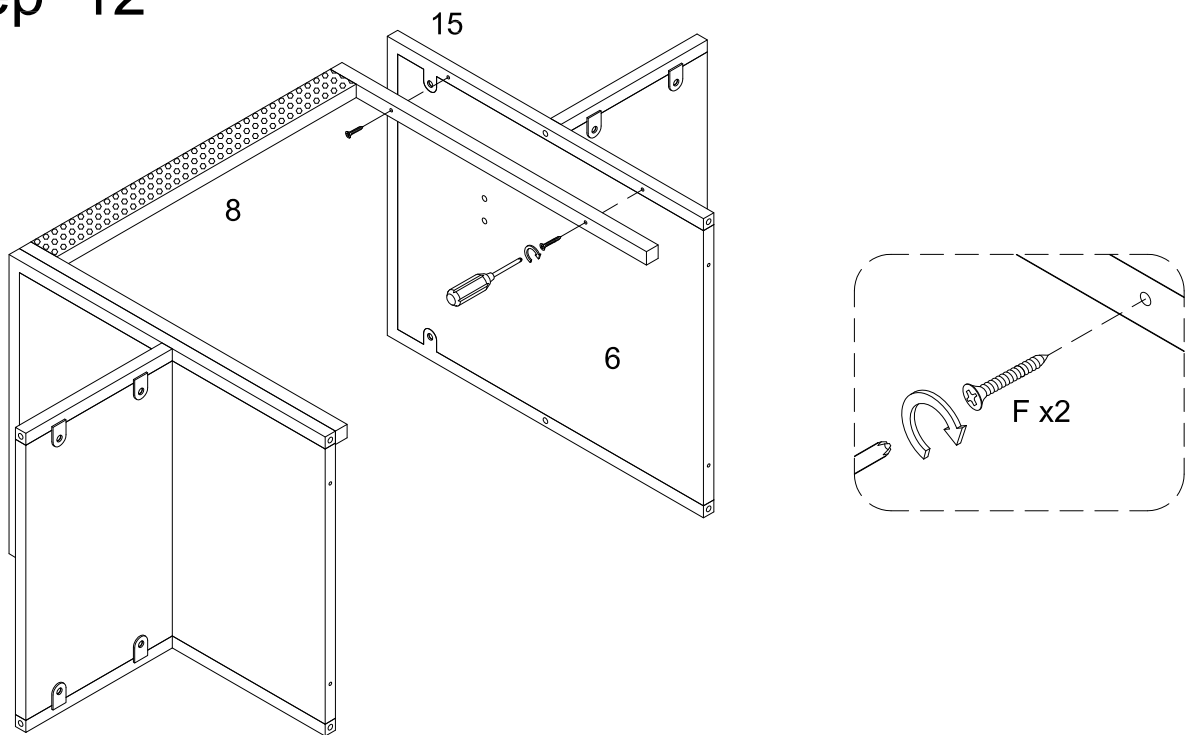
Attach part (4) to part (10) using bolt (C) and Hex Key (G).

## Step 11



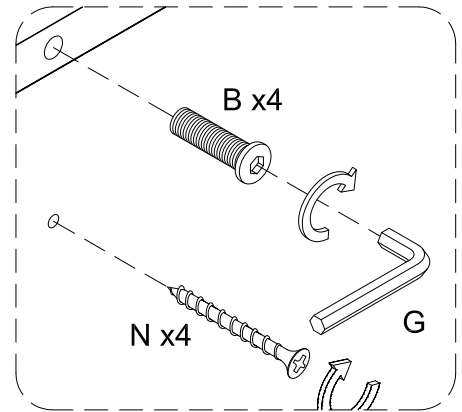
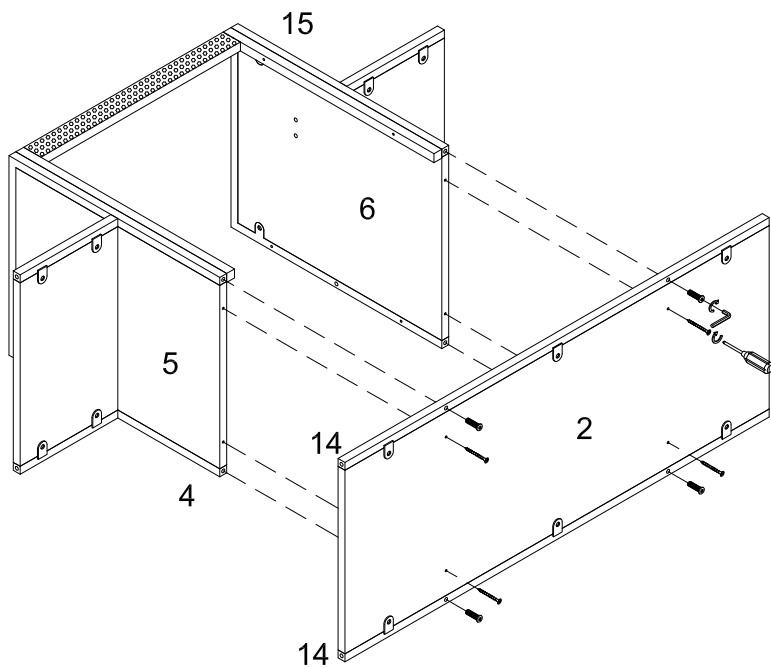
Attach part (8) to part (4) using screw (F) and screwdriver.

## Step 12



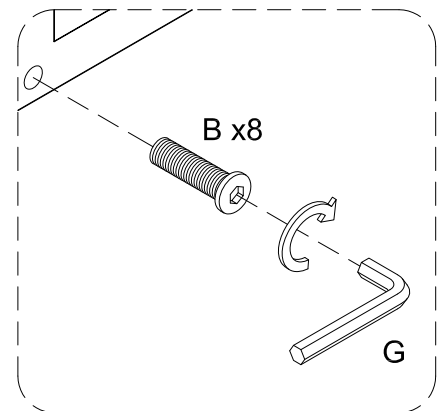
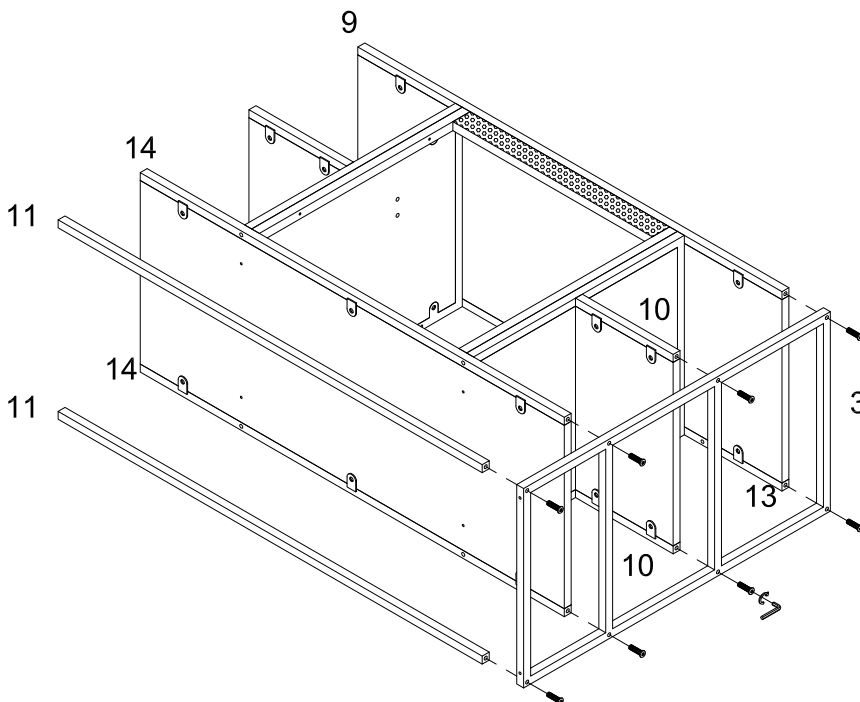
Attach part (8) to part (15) using screw (F) and screwdriver.

## Step 13



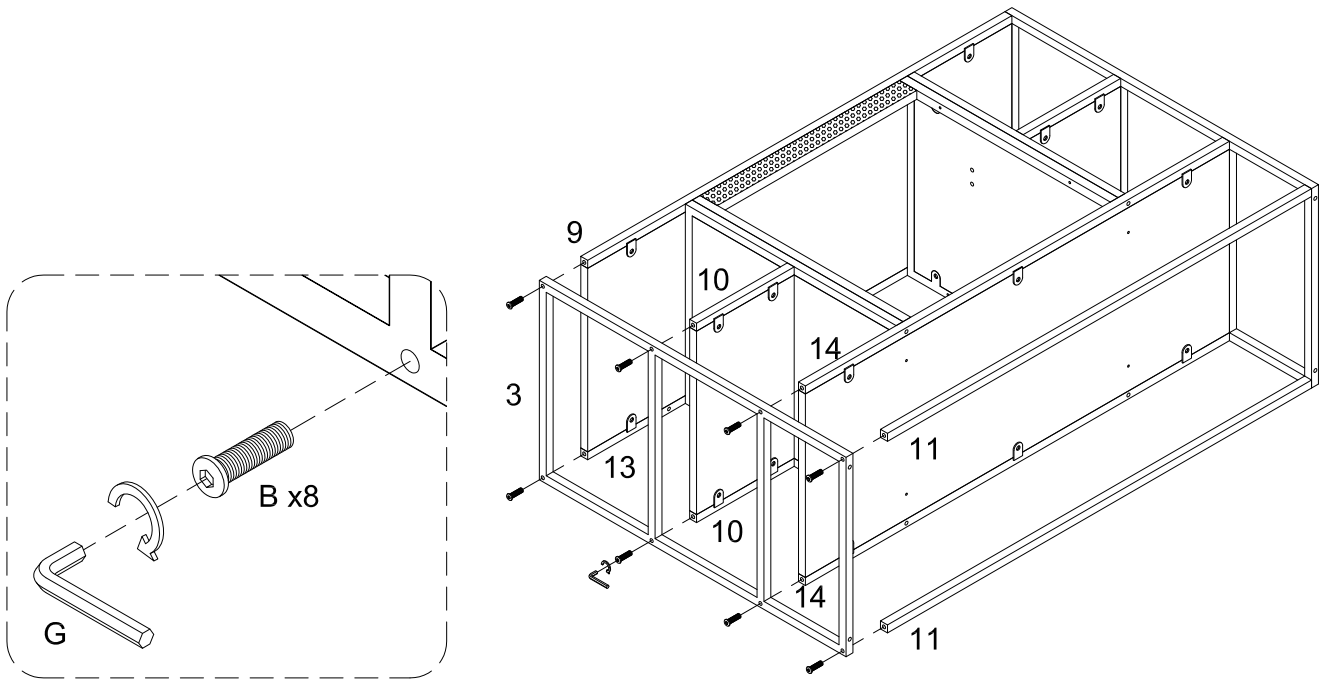
Attach part (2) to part (4,5,6,15) using screw (N) with screwdriver, and bolt (B) with hex key (G).

## Step 14



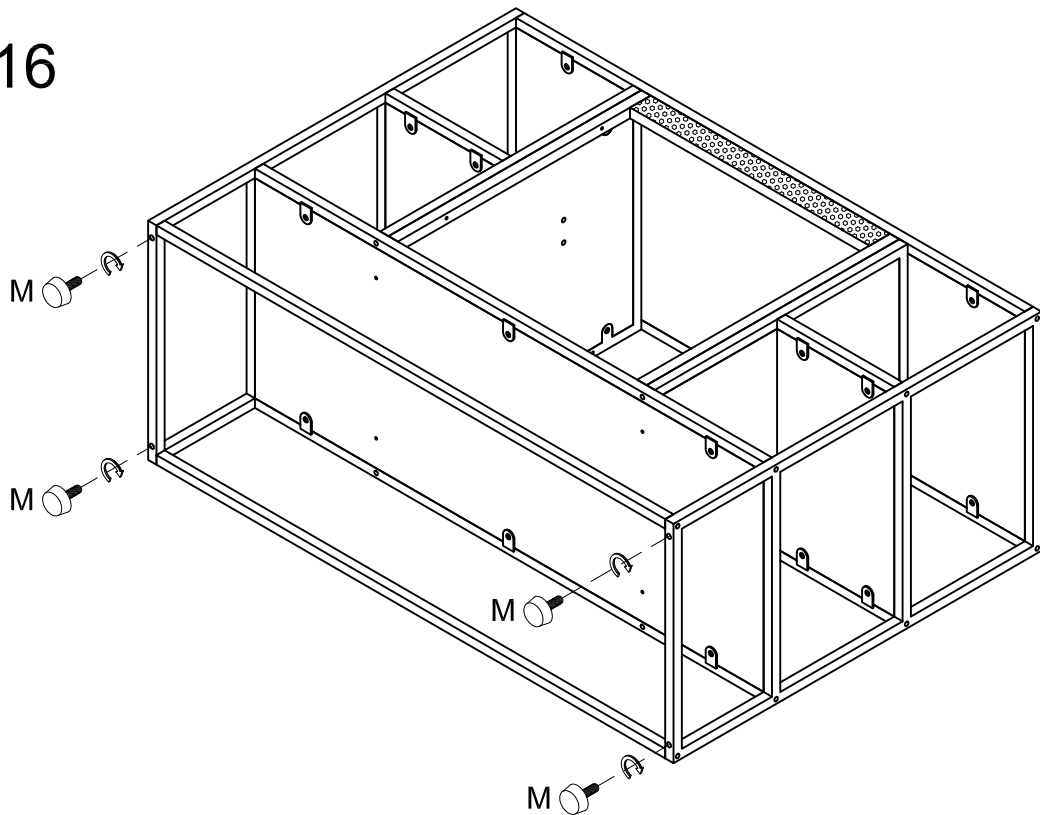
Attach part (3) to part (9,10,11,13,14) using bolt (B) and Hex Key (G).

## Step 15



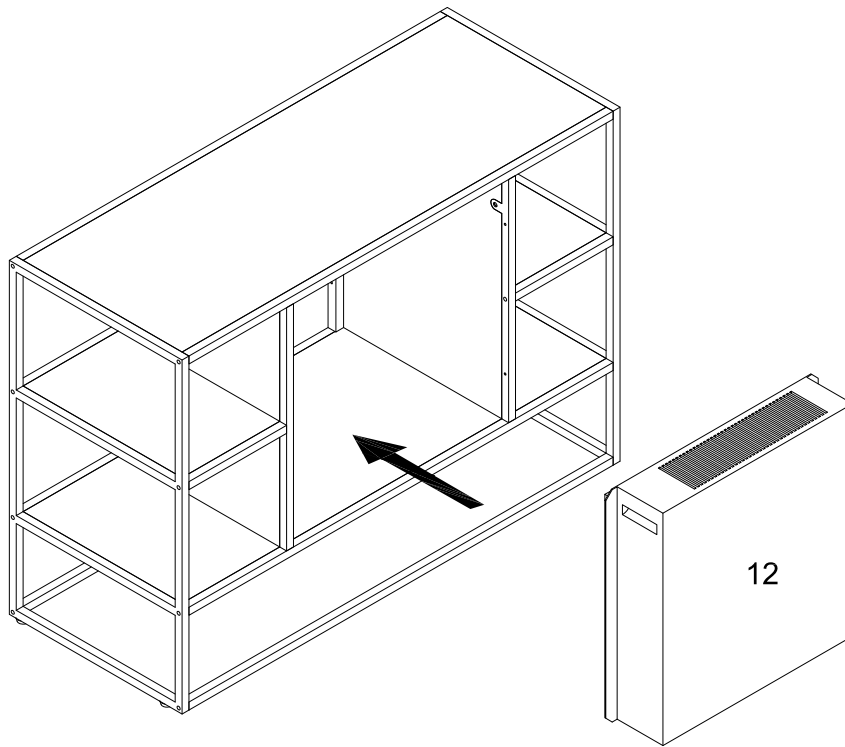
Attach part (3) to part (9,10,11,13,14) using bolt (B) and Hex Key (G).

## Step 16



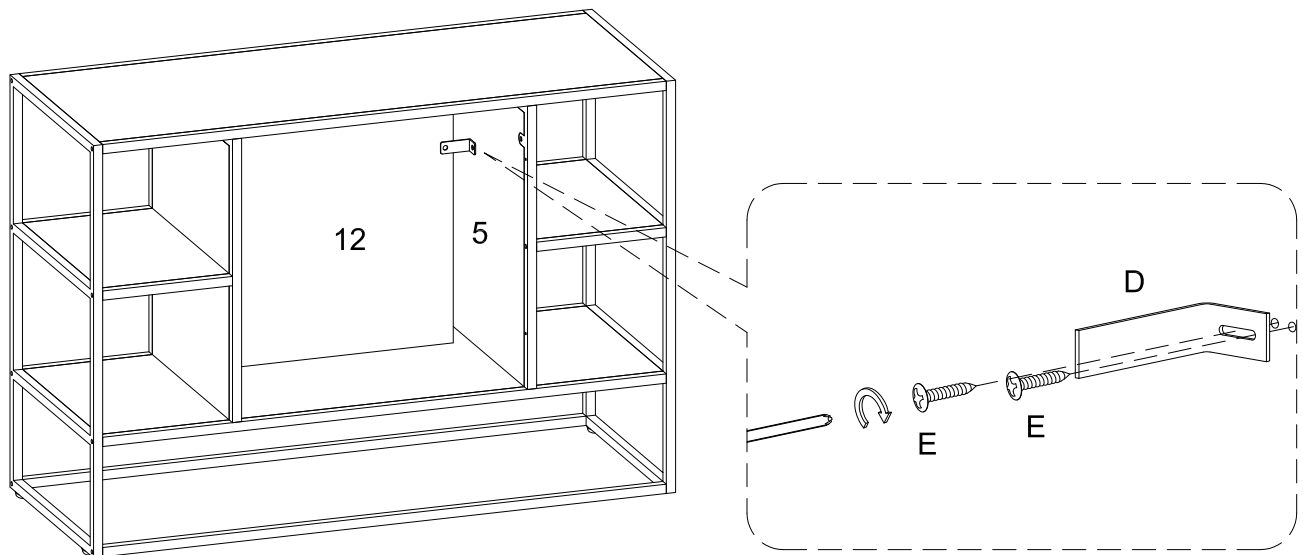
Screw foot (M) on to frame as per diagram.

## Step 17



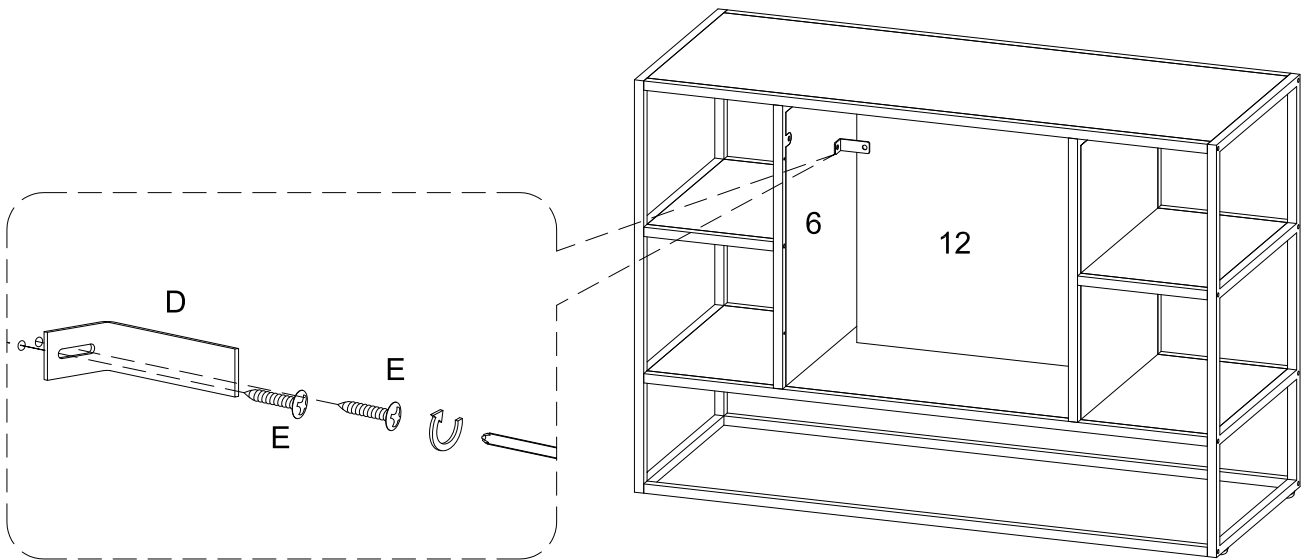
Place fireplace (12) into the frame from the rear.

## Step 18



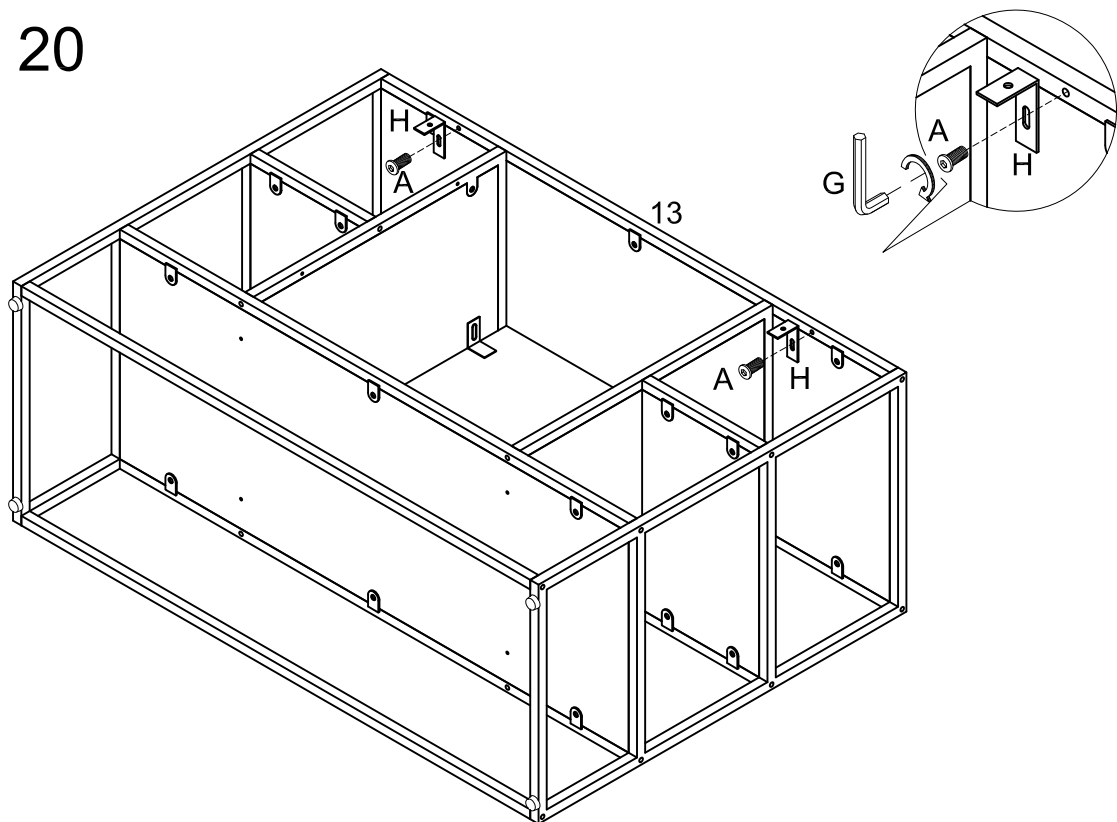
Attach bracket (D) to part (5) using screw (E) with screwdriver.

## Step 19



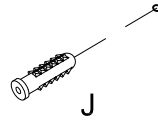
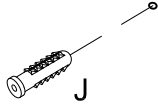
Attach bracket (D) to part (6) using screw (E) with screwdriver.

## Step 20



Attach bracket (H) to part (13) using bolt (A) with hex key (G).

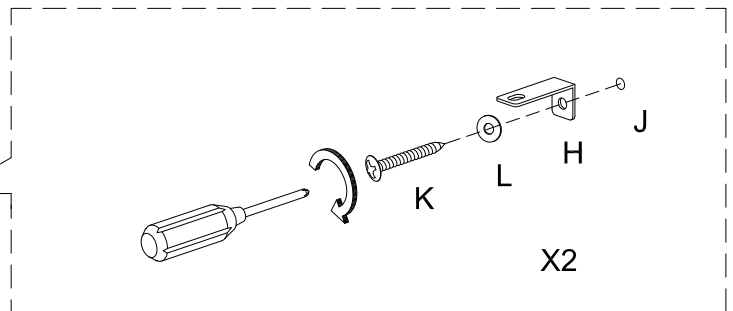
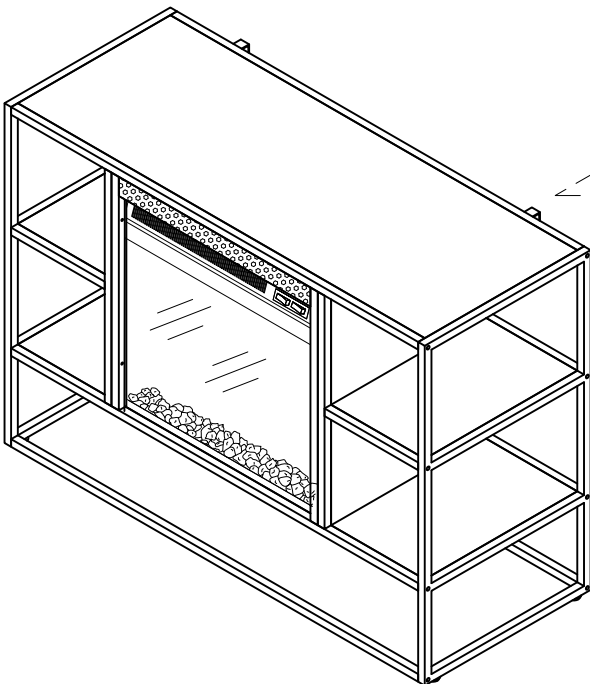
## Step 21



Wall

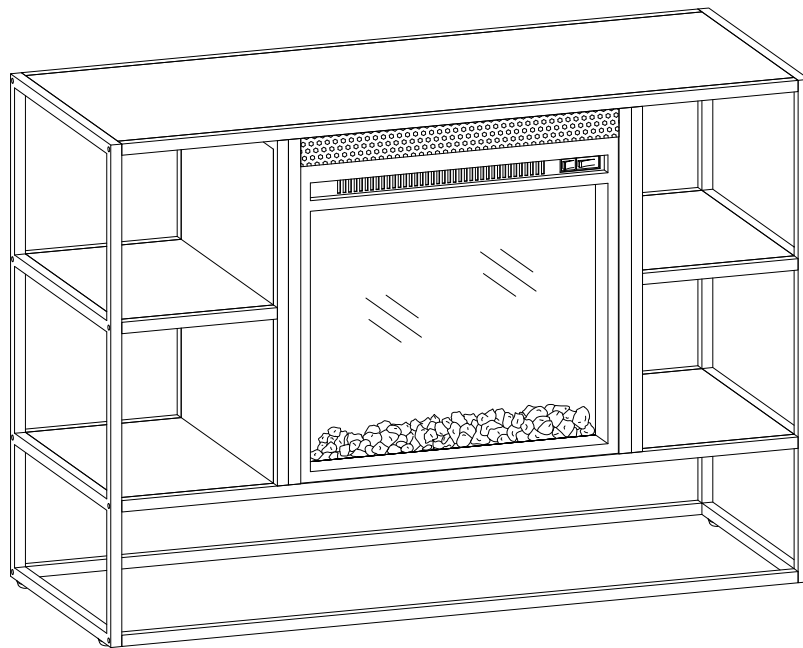
Measure height for bracket in desired location. Insert anchor (J) into wall at desired location.

## Step 22



Secure furniture to anchor in wall using washer (L) and screw (K) with screwdriver.

# Step 23



## Final Assembly