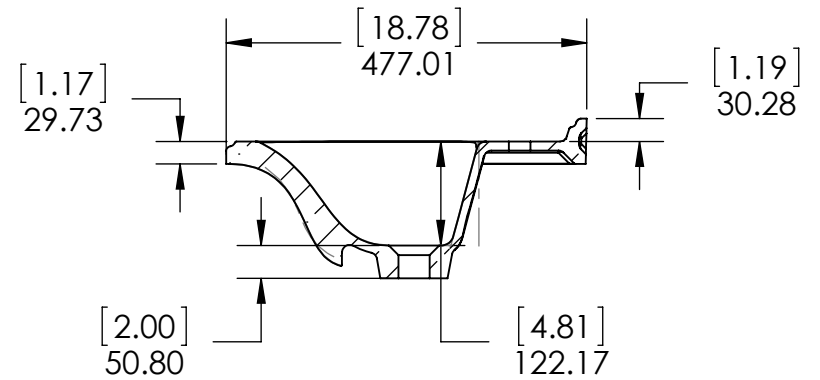
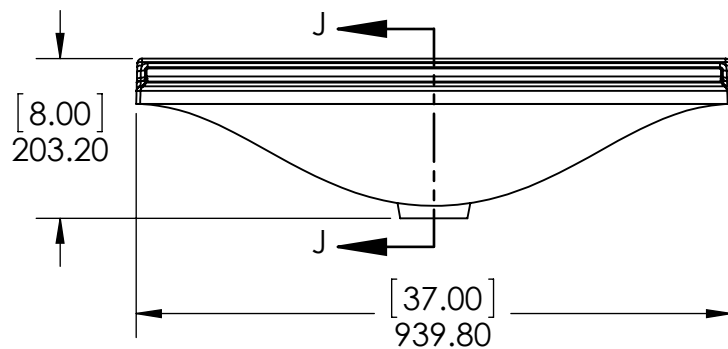
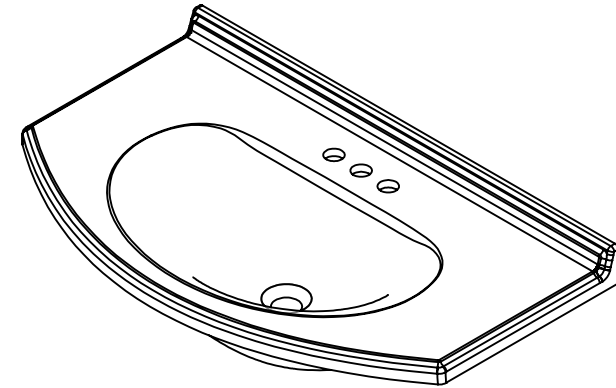
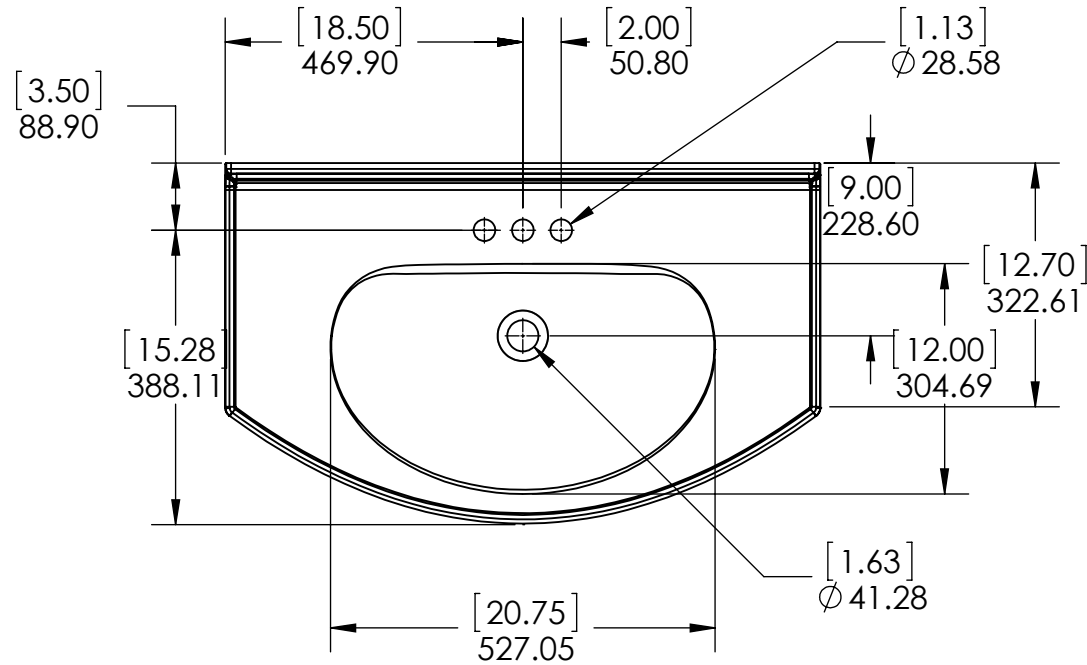


ID	Description	Technology	Status
595534	Top Sleeve Regal 37in Del Mar .COM	Solid White	Approved for production

Rev #	Approved by	Change
1	R. Rubio	New Model Added



PROPRIETARY AND CONFIDENTIAL
 THE INFORMATION CONTAINED IN THIS DRAWING IS THE
 SOLE PROPERTY OF WOODCRAFTERS. ANY
 REPRODUCTION IN PART OR AS A WHOLE WITHOUT THE
 WRITTEN PERMISSION OF WOODCRAFTERS IS PROHIBITED.

UNLESS OTHERWISE SPECIFIED
 DIMENSIONS ARE IN MM.
 AND (INCHES)
 TOLERANCES ARE
 +0.125 [3.175] -0.125 [-3.175]
 SCALE:1:10

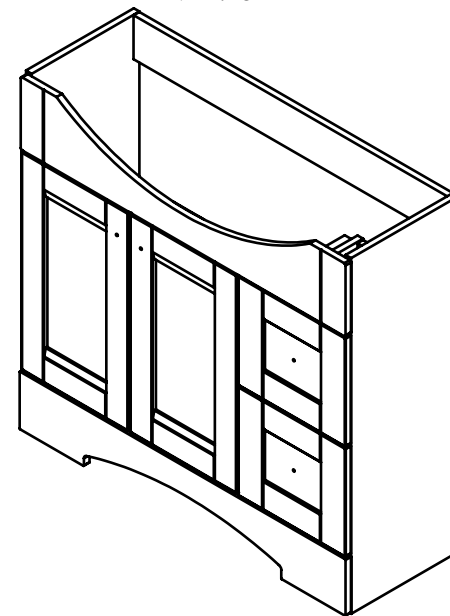
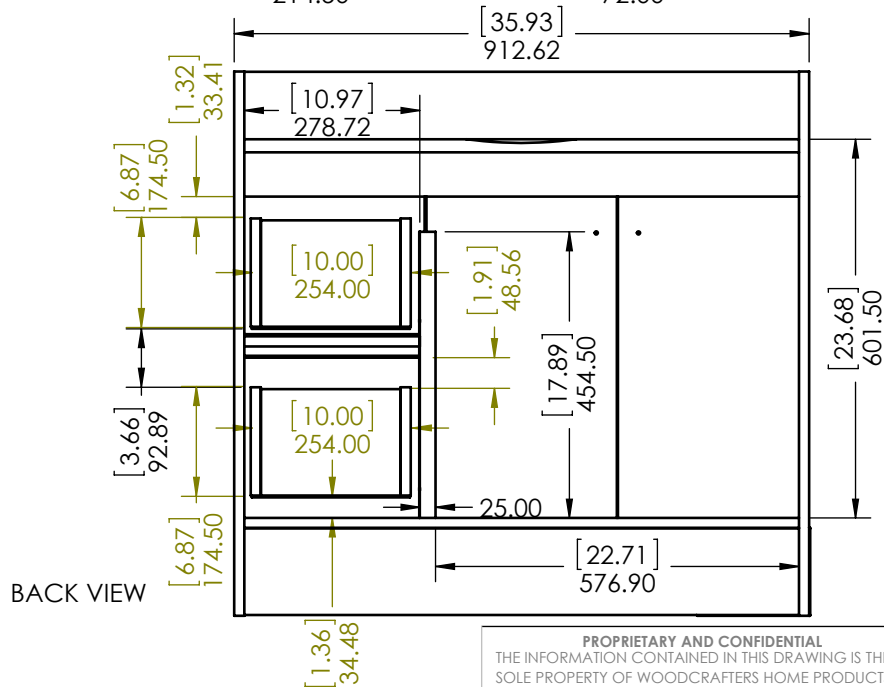
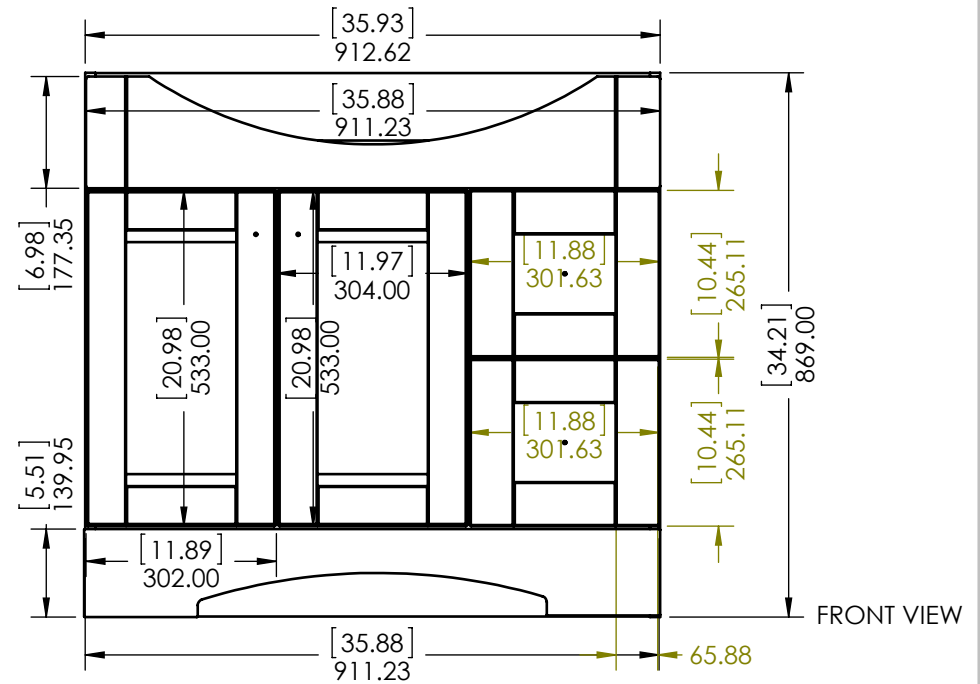
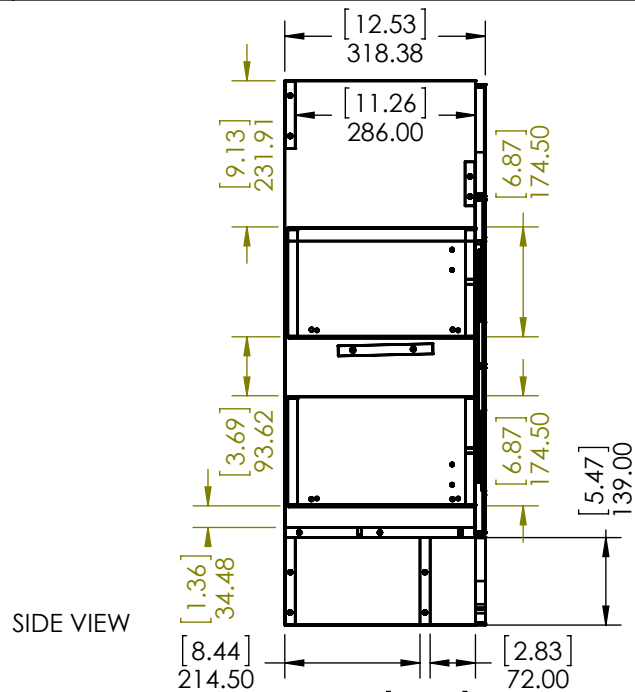
	NAME	DATE
DRAWN	O. Razo	07/09/19
CHECKED	E. Sandoval	07/09/19
ENG APPR.	R. Rubio	07/09/19
MFG APPR.	C. Leal	07/09/19

Wood Crafters

SIZE DWG. NO. SHEET 1 OF 1
A Top Sleeve Regal 37in Del Mar .COM REV. 1

ITEM ID	DESCRIPTION
DMSD36P2COM-W/ES	36in Del Mar SD with Regal Top COM - White / Espresso

REV	ECO#	DESCRIPTION	REV'D BY DATE	CHK'D BY DATE	APR'V'D BY DATE
0		New Release	IASV 3/21/16	IASV 3/21/16	IASV 3/21/16



ISOMETRIC VIEW



PROPRIETARY AND CONFIDENTIAL
 THE INFORMATION CONTAINED IN THIS DRAWING IS THE SOLE PROPERTY OF WOODCRAFTERS HOME PRODUCTS L.L.C. ANY REPRODUCTION IN PART OR AS A WHOLE WITHOUT THE WRITTEN PERMISSION OF WOODCRAFTERS HOME PRODUCTS L.L.C. IS PROHIBITED.

UNLESS OTHERWISE SPECIFIED
 DIMENSIONS ARE IN mm and [inches] AND TOLERANCES ARE +/- 1.0 [0.04]

DRAWN BY:	IASV	3/21/16
CHECKED BY:	IASV	3/21/16
APPROVED BY:	IASV	3/21/16
DO NOT SCALE DRAWING	SCALE: 1:10	SIZE: A

TITLE:	DEL MAR 36" ASSEMBLY	
PART NO:	PAGE	REV:
	1 OF 1	0