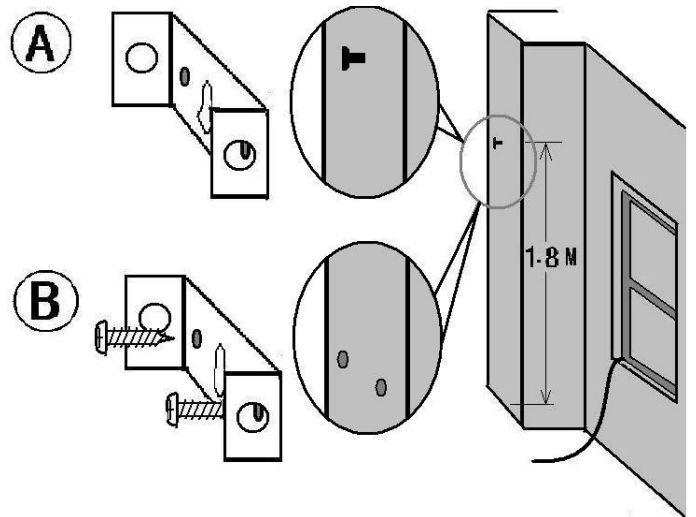
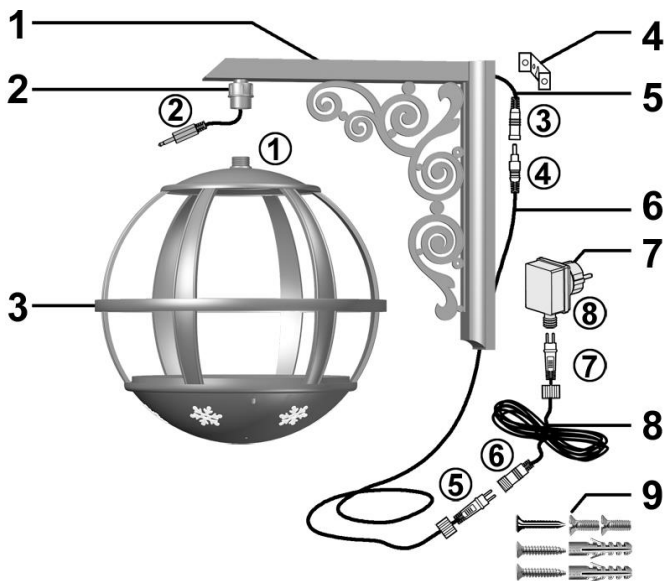


Caution

- This product (especially the lamp holder) is fragile, do not exert too much strength or drop it during the assembly and use. Be sure to fix it on the wall securely.
- Please assemble it in strict accordance with the steps and requirements specified in the instruction to ensure safety and reliability during the installation.



1) Schematic diagram



2) List of Components

No.	Name	Quantity
1	L-shape support	1
2	hold-nut	1
3	lamp	1
4	U-shaped fastener	1
5	built-in wire	1
6	power wire	1 (137in)
7	adapter (12V AC 500mA)	1
8	extended wire	1 (137in)
9	iron nail, screw and expansion tube	7
Note	1, 2,3,4,5,6,7,8 are wire connectors.	

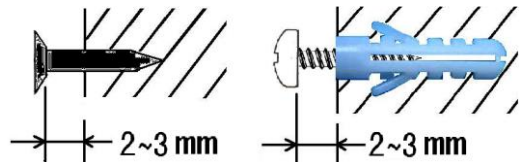
3) Assembly process

1. Determine installation site

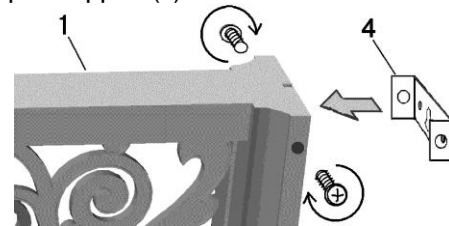
- It is suggested to install at the height of 71in from the ground to get the best view angle;
- The installation must allow for the power wire to run into the house through gaps of windows or doors to avoid the adapter and main power supply to be dampened and cause danger.

2. Install L-shaped support

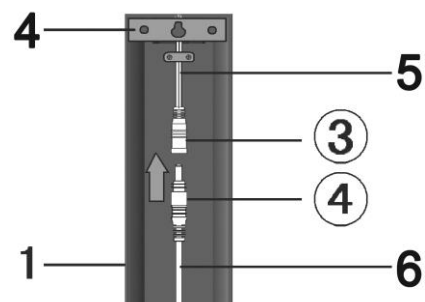
- **Method A:** See above figure to apply the lamp with only one iron nail (if you're not able to use an iron nail due to the wall materials, use the screw expansion tube instead). The advantage of this method is that it can reduce damages on the wall surface. If there has been an iron nail (or a screw) on the wall already, it only needs to adjust the length slightly. The disadvantage of this method is that the lamp may be swayed by the external force and is not very sturdy. Therefore, this method is appropriate for the places where it cannot be influenced by the strong wind or human touch. The specific method is: to fix the supplied iron nail (or screw + expansion tube) on the wall surface which shall be 2-3mm away from the cap of the iron nail (or screw) so that the lamp can be suspended on it as shown in the following figure.



Then use two screws to fix U-shaped fastener (4) into L-shaped support (1):

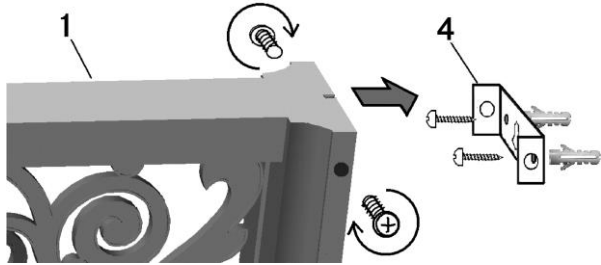


Connect the plug (4) of power wire (6) with the socket (3) of built-in wire (5) and then suspend L-shaped support (1) on the wall.



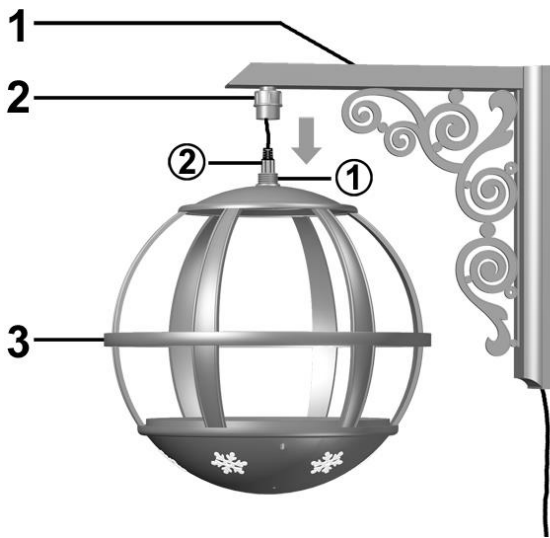
- **Method B:** if the lamp holder is easy to be effected by

wind or human activities, it will need to be fastened. It is suggested to use Method B to install L-shaped support (1). The specific method is: drill two circular holes with diameter of X mm and depth Y mm, and use two expansion tubes and grub screws to fix U-shaped fastener (4) on the wall, then use two screws to fix L-shaped support (1) on the U-shaped fastener. But before doing this, do not forget to connect plug (4) with socket (3) as shown in the above figure:

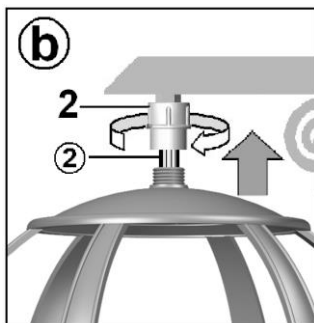


3. Fix the lamp

a. Connect power wire to the lamp: After ensuring the L-shaped support is well suspended on the wall, insert the plug (2) of the built-in wire into the socket (1) on the top of the lamp (3):



b. Fix lamp: lift the lamp (3) up so that the upper part of the plug (2) and its wire can enter into the hole of the hold-nut (2), and turn the hold-nut (2) to let it tightly fit the thread of the upper part of the lamp until the lamp and L-shaped support to be fixed as a whole. Meanwhile, adjust the direction of the lamp until it is satisfied. **Note: #1.** The hold-nut must be screwed tightly. **#2.** The lamp holder is fragile, use caution so it doesn't fall on ground.



4. Power on and examination

a. Power on: connect the plug (5) of power wire (6) with

the socket (8) of adaptor (7). If the power wire (6) is not long enough, add extended wire (8) between those two and connect (5) and (6), (7) and (8) separately. After that, connect the adaptor (7) with main power supply.

b. Examination: there is a switch at the bottom of the lamp (3) (see the following figure). Turn on the switch to left side; the lights should be twinkling, snow flying around and music playing. If the above are not functioning, check that the connections are done properly. You can also turn the switch to right side to turn off the music.



5. Attention

Please pay special attention:

- Please fix the hold-nut at the top of lamp securely.
- All connection points 1, 2, 3, 4, 5, 6, 7 and 8 must be screwed securely to avoid water and electricity leakage!
- It is best to ensure that the connecting point between adaptor and main power should be located indoors where it's free from rain and snow, to avoid the electricity leakage or electric shock risk.

