

# WAGNER®

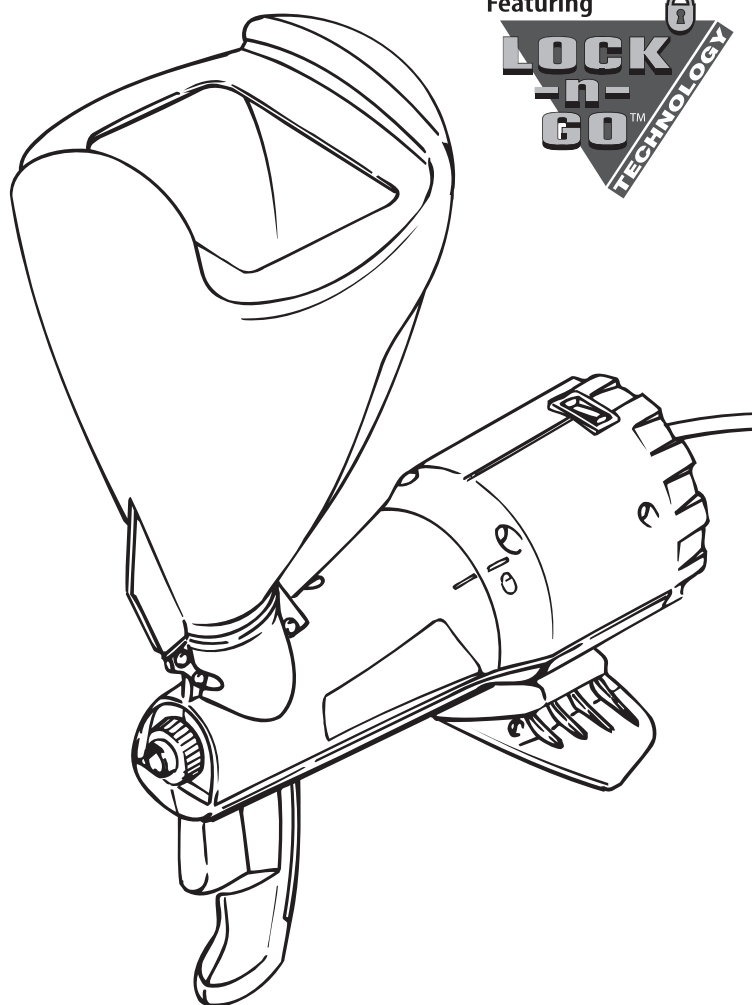
PAINT FAST. PAINT SMART.

# POWER TEX®

**Owner's manual:** Read this manual for complete instructions

**Guide d'utilisation :** Ce manuel contient des instructions détaillées

**Manual del propietario:** Le este manual para obtener instrucciones completas



## English - Table of Contents

Safety Information	2
Components and Description	3
Setup	4
Spraying	5
Cleanup	6
Troubleshooting / Warranty	7
Parts List	20

**Technical service hours: Monday through Friday, 8:00 am to 4:30 Central Time**

## Français - Table des matières

Consignes de sécurité	8
Composants et description	9
Montage	10
Pulvérisation	11
Nettoyage	12
Dépannage / Garantie	13
Liste de pièces	20

**Heures d'ouverture du Service technique : du lundi au vendredi, de 8 h à 4:30 h, heure normale du Centre**

## Español - Tabla de Contenido

Información sobre seguridad	14
Componentes y descripción	15
Montaje	16
Rociadora	17
Limpieza	18
Solución de problemas / Garantía	19
Lista de piezas	20

**Horario del servicio técnico: De lunes a viernes, de 8 a.m. a 4:30 p.m., Hora Central**

**1-800-328-8251**  
**Wagner Technical Service**  
 Or visit us on the world wide web!  
 Ou visitez notre site Web!  
 ¡O visítenos en Internet!  
<http://www.wagnerspraytech.com>

**Need Help?**  
 Call us first for answers fast. Call Wagner toll-free if you have any comments or problems with this Wagner product.

**Besoin d'aide?**  
 Appelez-nous pour des réponses rapides. Téléphonnez à Wagner sans frais d'appel si vous avez des commentaires ou des problèmes avec l'appareil.

**¿Necesita Ayuda?**  
 Llámennos primero para obtener respuestas rápidas. Llame a la línea gratuita de Wagner si quiere hacer un comentario o tiene problemas con este producto de Wagner.



# Important Safety Information • Read all safety information before operating the equipment. Save these instructions

## ⚠️ WARNING

Indicates a hazardous situation which, if not avoided, could result in death or serious injury.

### HAZARD: GENERAL

Can cause severe injury or property damage.

- Read all instructions and safety precautions for equipment and spray material before operating any equipment.
- Comply with all appropriate local, state, and national codes governing ventilation, fire prevention, and operation.
- This unit is intended for use with **water-based textured materials only**. **DO NOT** use this sprayer with any flammable or oil-based materials.
- Keep sprayer out of the reach of children.
- Hearing protection is recommended for extended use.
- Always wear appropriate gloves, eye protection and a respirator or mask when painting.
- Do not operate or spray near children. Keep children away from equipment at all times.
- Do not overreach or stand on an unstable support. Certain material overspray can make floors slippery. Keep effective footing and balance at all times. Wear rubber-soled shoes.
- Stay alert and watch what you are doing.
- Do not operate the unit when fatigued or under the influence of drugs or alcohol.
- Use only manufacturer authorized parts. User assumes all risks and liabilities when using parts that do not meet the minimum specifications and safety devices of the turbine manufacturer.
- Wear protective eyewear and ear protection.
- Wear long-sleeved work clothing to prevent skin irritation.
- **DO NOT** pull the trigger while the turbine is turned OFF (I) and the hopper is filled with material. Material could leak down into the turbine.
- Always remove turbine before cleaning.

### HAZARD: DUST INHALATION

Dust or mist created by this sprayer may cause eye, skin, throat or respiratory irritation.

- Avoid inhalation of mist or dust. Wear a NIOSH / MSHA approved respirator when using this equipment or for anyone entering the work area.
- Maintain proper ventilation to reduce mist / dust exposure.
- **NO EATING, DRINKING OR SMOKING** should be done in the work area to prevent ingesting contaminated paint particles. Workers should wash and clean up **BEFORE** eating, drinking, and smoking. Articles of food, drink, or smoking should not be left in the work area where dust would settle on them.
- Follow all warnings and recommendations provided by the textured coating manufacturer.

### HAZARD: ELECTRIC SHOCK HAZARD

May cause severe injury.

- Always remove turbine before cleaning.
- Power cord must be connected to a grounded circuit.
- Never submerge electrical parts.
- Never expose the equipment to rain. Store indoors.

## Important Electrical Information

Use only a 3-wire extension cord that has a 3-blade grounding plug and a 3-slot receptacle that will accept the plug on the product. Make sure your extension cord is in good condition. When using an extension cord, be sure to use one heavy enough to carry the current your product will draw. An undersized cord will cause a drop in line voltage resulting in loss of power and overheating. A 14 gauge or 12 gauge cord is recommended. If an extension cord is to be used outdoors, it must be marked with the suffix W-A after the cord type designation. For example, a designation of SJTW-A would indicate that the cord would be appropriate for outdoor use.

Wagner Spray Tech accessory extension cords recommended:

P/N 0090241 20 foot extension cord.

P/N 0090242 35 foot extension cord.

		Minimum gauge for extension cords							
Ampere rating range	Voltage	Cord length (feet)							
	120V	25-50	100	150	200	250	300	400	500
3 - 4		18	16	14	12	12	10	10	8

## Grounding Instructions

This product must be grounded. In the event of an electrical short circuit, grounding reduces the risk of electric shock by providing an escape wire for the electric current. This product is equipped with a cord having a grounding wire with an appropriate grounding plug. The plug must be plugged into an outlet that is properly installed and grounded in accordance with all local codes and ordinances.

## ⚠️ WARNING

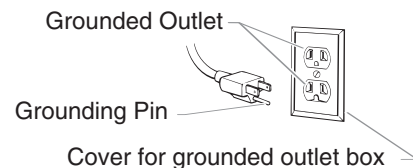


**DANGER--Improper installation of the grounding plug can result in a risk of electric shock.**

If repair or replacement of the cord or plug is necessary, do not connect the green grounding wire to either flat blade terminal. The wire with insulation having a green outer surface with or without yellow stripes is the grounding wire and must be connected to the grounding pin.

Check with a qualified electrician or serviceman if the grounding instructions are not completely understood, or if you are in doubt as to whether the product is properly grounded. Do not modify the plug provided. If the plug will not fit the outlet, have the proper outlet installed by a qualified electrician.

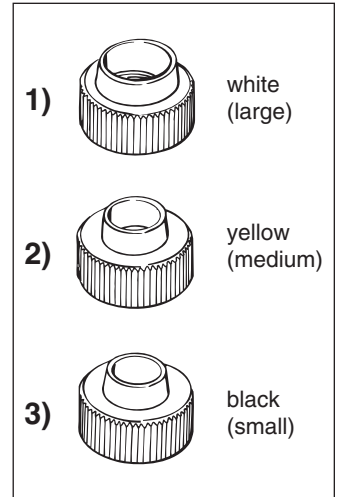
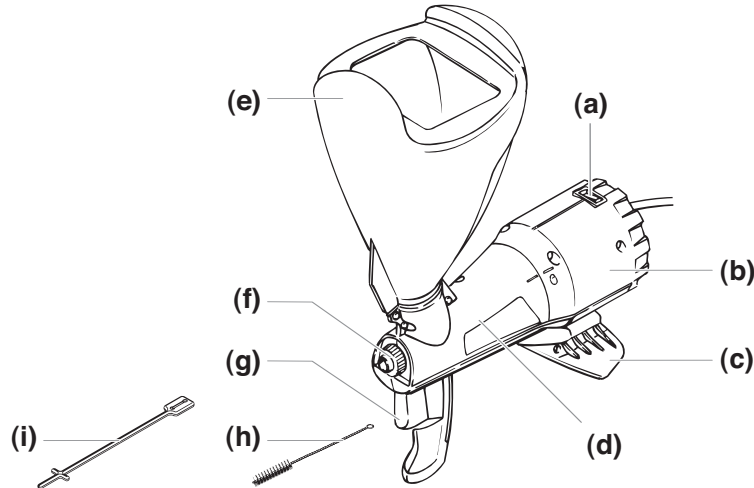
This product is for use on a nominal 120 volt circuit and has a grounding plug that looks like the plug illustrated below. Make sure that the product is connected to an outlet having the same configuration as the plug.



**This product is intended for household use only.**

# Components and Description

- a) ON / OFF switch
- b) Turbine
- c) Arm rest / Stand
- d) Sprayer body
- e) Hopper
- f) Spray nozzle
  - 1) large nozzle
  - 2) medium nozzle
  - 3) small nozzle
- g) Trigger
- h) Cleaning brush
- i) Nozzle holder



- ON/OFF Switch** . . . . . The ON/OFF switch turns the power to the sprayer on and off (O=OFF, I=ON).
- Turbine** . . . . . The turbine provides air flow that delivers the material from the sprayer.
- Lock N Go™** . . . . . This sprayer has been designed with Lock N Go™ technology, allowing for easy cleanup.
- Trigger** . . . . . The trigger controls the delivery of the fluid being pumped. The farther the trigger is pulled, the more material will flow from the nozzle. **DO NOT** pull the trigger while the turbine is turned **OFF (I)** and if there is material in the hopper. This may cause material to flow into the turbine.
- Spray nozzle** . . . . . This unit is equipped with three different spray nozzles. The nozzles have different opening sizes (large, medium, small) that determine the volume of material being sprayed. The bigger the opening, the more material will flow from the nozzle.
- Hopper** . . . . . The hopper can rotate 180° to accommodate a higher spraying angle. The user's free hand may also be placed on the rear of the hopper for increased stability during usage.
- Arm rest** . . . . . The sprayer has been designed to rest comfortably on the user's arm during usage.
- Nozzle holder** . . . . . The nozzle holder can be threaded through the nozzles and then wrapped around the power cord for easy storage.

## **Product Description:**

The Power Tex® is intended for use for the residential application of water-based textured materials to ceilings, walls, or other surfaces. The Power Tex® is an ideal tool for applying textured material to small areas or for repairing damaged sections of knockdown or acoustic texture surfaces.

## **Materials that can be sprayed:**

This unit has been designed to be used with **1)** aggregated materials such as simulated acoustic ("popcorn") and **2)** unaggregated materials such as diluted joint compound for knockdown and orange peel. Make sure to follow all the manufacturer's recommendations and warnings when mixing and using textured materials.

## **Mixing the material:**

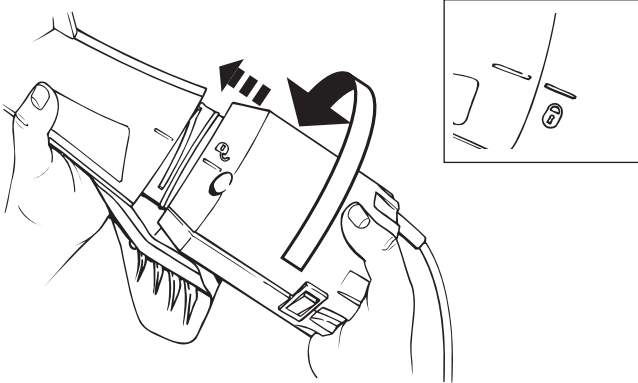
When mixing the material you are going to spray, follow the manufacturer's directions. **It is very important that the material you use is properly mixed.** The material should appear creamy, wet, and lump-free, similar to pancake batter (refer to chart on page 5 for variations). **DO NOT** mix the material inside the hopper. Use a separate container to mix the material. For best results, use an electric drill with a paint-mixer attachment when mixing the material. Make sure the material settles for 15 minutes before using and then mix again thoroughly. To ensure proper consistency, mix enough material to complete the job. Mixing separate batches for one job may give inconsistent results.

## **Preparing the work area:**

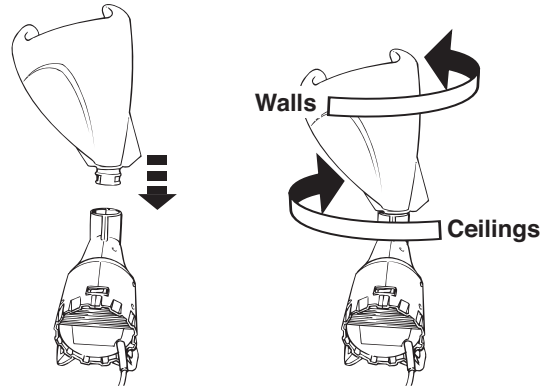
Texture spraying creates a great deal of dust and overspray material. It is necessary that you cover with drop cloths anything you do not want sprayed (walls, windows, floors, furniture) and remove as many non-essential items from the room as possible. Make sure the work surface has also been properly prepared. Application over unsealed, stained, improperly prepared, or not completely dry surfaces may cause discoloration and adhesion problems.

# Setup

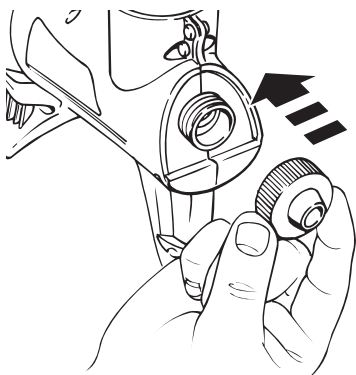
1. Line up the “unlock” symbol on the turbine with the guide on the sprayer. Twist the two halves in opposite directions until the “lock” symbol on the turbine lines up with the guide on the sprayer.



2. While facing the rear of the sprayer/ turbine assembly, insert the hopper into the receptacle with the hopper oriented as shown. Depending on what surface you plan to spray, turn the hopper 1/4 turn in either direction to lock it in place.



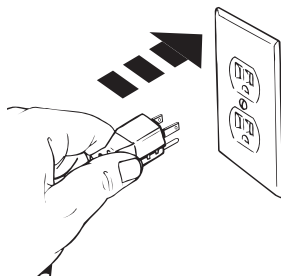
3. Attach desired nozzle by threading it onto the end of the sprayer.



4. Slowly fill the hopper with the material you plan to use. Be sure the sprayer/ turbine assembly is resting on a flat, stable surface that is covered by a drop cloth.

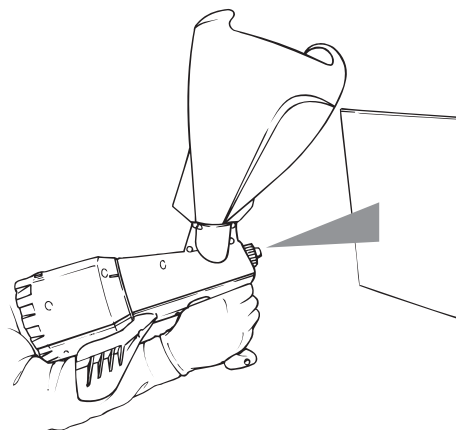


5. Plug the power cord into an extension cord. Plug the extension cord into a grounded outlet. Turn the switch to **ON (I)**.



The turbine will start up and air will blow from the nozzle. No material will flow from the nozzle until the trigger is pulled.

6. Place the arm rest over your forearm. Aim the sprayer at a scrap piece of wood or cardboard to test the spray pattern.



# Texture Spraying

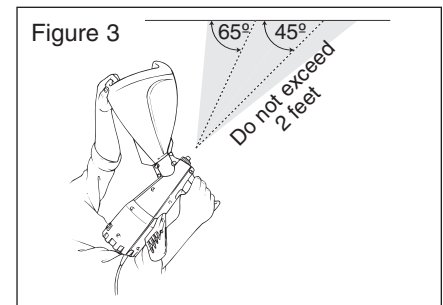
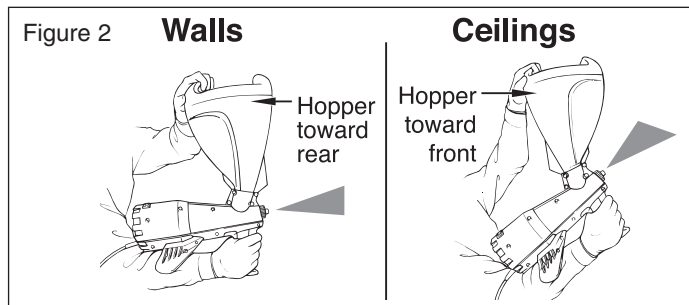
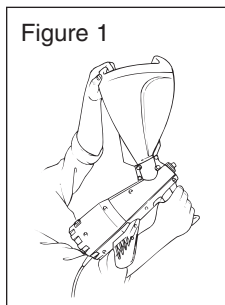
## General Spraying Tips:

- The sprayer can feel heavy when full of spraying material. It is recommended that your free hand be placed at the rear of the hopper for increased support during usage (**see figure 1**).
- Swivel hopper forward when spraying a ceiling; swivel hopper toward the rear when spraying a wall (**see figure 2**).
- When spraying, try to keep the nozzle no farther than 2 feet away. When doing ceilings keep the sprayer between a 45°-65° angle to the spraying surface (**see figure 3**). You can adjust the spraying angle, nozzle size, and vary trigger activation to achieve desired results.
- If spraying a large surface, use broad, sweeping, side-to-side strokes with continuous trigger activation for optimal coverage. It is recommended that the surface be sprayed in slightly overlapping, 3' x 3' sections. Spray each section in one direction, then spray at a perpendicular angle to complete the section.
- The thickness of the spray material can be adjusted by adding small amounts of water or material.
- Texture spraying creates a great deal of dust and overspray material. It is recommended that you adequately cover anything you do not want sprayed with drop cloths (walls, windows, floors, furniture) and remove as many non-essential items from the room as possible.
- The spray pattern can be adjusted by switching to a different nozzle. Before removing/changing nozzles, always turn the sprayer **OFF (O)** and unplug the power cord.
- When repairing a small area, it is a good idea to scrape away any damaged material that may be around the affected area. Spray an area slightly larger than the affected area to create a uniform look. Generally, when repairing a small area, the small nozzle should be used, and the trigger should be activated using light, intermittent pressure.
- All new surfaces should be covered with primer prior to texture spraying.
- Knockdown and orange-peel materials may need to be painted after application to create a final uniform color.

Refer to the chart below for assistance with all the variables involved in texture spraying. Texture spraying is not an exact science, and the variables below may need to be adjusted to meet your particular texture spraying needs.

Texture	Simulated Acoustic (popcorn)			Knockdown			Orange Peel		
	Fine	Medium	Coarse	Fine	Medium	Coarse	Fine	Medium	Coarse
Material to purchase	Fine aggregated	Medium aggregated	Coarse aggregated	Unaggregated or thinned joint compound	Unaggregated or thinned joint compound	Unaggregated or thinned joint compound	Unaggregated or thinned joint compound	Unaggregated or thinned joint compound	Unaggregated or thinned joint compound
Material Thickness	Slightly thinner (add water)	Pancake batter	Slightly thicker (add material)	Slightly thinner (add water)	Pancake batter	Slightly thicker (add material)	Slightly thinner (add water)	Slightly thinner (add water)	Pancake batter
Nozzle color	Yellow	Yellow	Yellow	Black	Yellow	White	Black	Black	Yellow
Trigger pull	Full	Full	Full	Full	Full	Full	Half	Full	Full
Paint needed after application	No	No	No	Yes	Yes	Yes	Yes	Yes	Yes

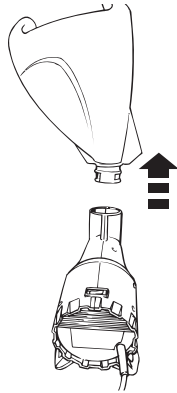
\*When using knockdown, let material dry for 10-15 minutes after application. Use a soft squeegee to "knock down" the material. Do not wait more than 30 minutes after application to knock down the material.



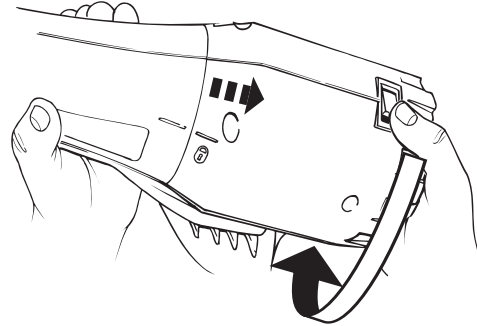
# Cleanup

1. Turn the switch **OFF (O)** and unplug the power cord. Make sure the hopper is empty of spraying material. Pour any leftover material into a separate container. Remove the hopper when empty.

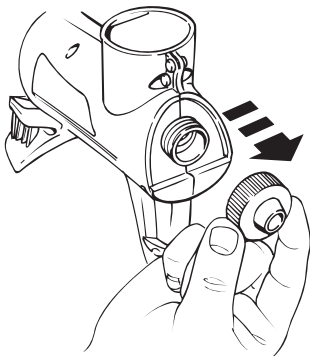
**DO NOT attempt to remove the hopper from the sprayer if it is full of material.**



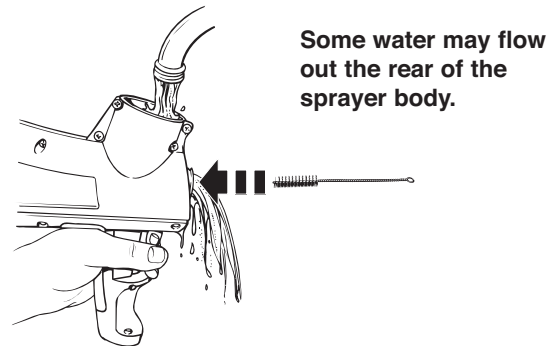
2. Unlock turbine from sprayer by turning the two halves in opposite directions. The “unlock” symbol on the turbine should come toward the guide on the sprayer. Set turbine aside in a dry area.



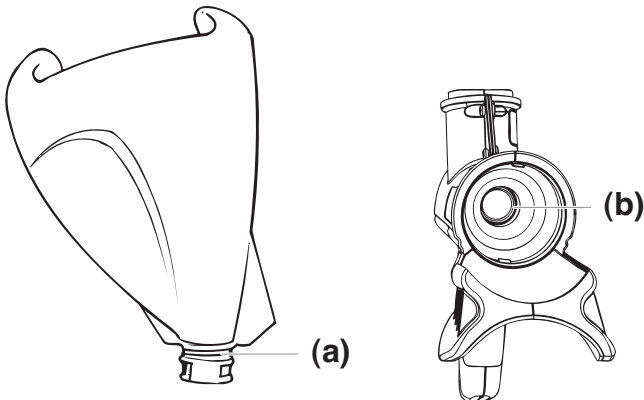
3. Remove nozzle from the sprayer.



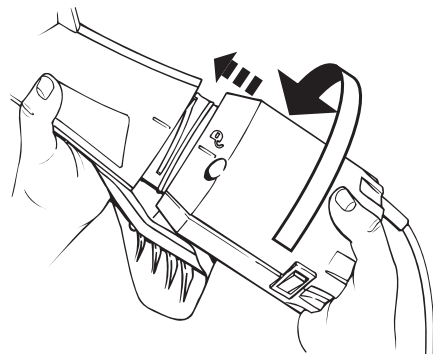
4. The nozzle, sprayer and the hopper can now be hand-cleaned using warm, soapy water and the cleaning brush provided with the unit. Let faucet water run into the area where the hopper connects to the sprayer. While the water is running, activate the trigger to fully clean the nozzle area. **DO NOT submerge the turbine.** The outside of the turbine can be wiped clean with a damp cloth.



5. With the lubricant included with your sprayer, lubricate the O-ring on the hopper **(a)** and lubricate the outer edge of the plunger inside the rear of the sprayer housing **(b)**. Pull and release the trigger a few times to distribute the lubricant.



6. After all components are clean, wipe down with a dry cloth. Reassemble the sprayer/turbine. ON/OFF switch should be facing upward. Clean turbine labels with a damp cloth.



# Troubleshooting / Warranty

<b>Problem</b>	<b>Cause</b>	<b>Solution</b>
A. The sprayer does not start.	<ol style="list-style-type: none"><li>1. The sprayer is not plugged in.</li><li>2. The ON/OFF switch is set to OFF.</li><li>3. No voltage at wall plug.</li><li>5. The extension cord is damaged or has too low a capacity.</li><li>6. There is a problem with the turbine.</li></ol>	<ol style="list-style-type: none"><li>1. Plug the sprayer in.</li><li>2. Turn the ON/OFF switch to ON.</li><li>3. Properly test the power supply voltage.</li><li>5. Replace the extension cord.</li><li>6. Take sprayer to Authorized Service Center.</li></ol>
B. No material coming from the sprayer.	<ol style="list-style-type: none"><li>1. Material too thick.</li><li>2. Nozzle too small for thickness of material.</li><li>3. Plugged or dirty sprayer.</li></ol>	<ol style="list-style-type: none"><li>1. Thin the material by adding water.</li><li>2. Switch to a larger nozzle and/or thin the material.</li><li>3. Thoroughly clean the sprayer.</li></ol>
C. Application speed too slow.	<ol style="list-style-type: none"><li>1. Nozzle too small.</li><li>2. Plugged or dirty sprayer.</li><li>3. O-ring on turbine damaged, missing or dirty.</li></ol>	<ol style="list-style-type: none"><li>1. Switch to a larger nozzle.</li><li>2. Thoroughly clean the sprayer.</li><li>3. Clean or replace the O-ring.</li></ol>
D. Sputtering/intermittent flow.	<ol style="list-style-type: none"><li>1. Hopper empty.</li><li>2. Plugged or dirty sprayer.</li></ol>	<ol style="list-style-type: none"><li>1. Fill the hopper.</li><li>2. Thoroughly clean the sprayer.</li></ol>
E. Clumpy spray pattern.	<ol style="list-style-type: none"><li>1. Material not sufficiently mixed.</li></ol>	<ol style="list-style-type: none"><li>1. Mix the material.</li></ol>
F. Material leakage at hopper connection.	<ol style="list-style-type: none"><li>1. O-ring on hopper damaged, missing or dirty.</li></ol>	<ol style="list-style-type: none"><li>1. Clean or replace the O-ring.</li></ol>

## WAGNER ONE-YEAR LIMITED WARRANTY - Keep on File

This product, manufactured by Wagner Spray Tech Corporation (Wagner) is warranted against defects in material and workmanship for one year following date of purchase if operated in accordance with Wagner's printed recommendations and instructions. This warranty does not cover damage resulting from improper use, accidents, user's negligence or normal wear. This warranty does not cover any defects or damages caused by service or repair performed by anyone other than a Wagner Authorized Service Center.

ANY IMPLIED WARRANTY OF MERCHANTABILITY OR FITNESS FOR A PARTICULAR PURPOSE IS LIMITED TO ONE YEAR FOLLOWING DATE OF PURCHASE. THIS PRODUCT IS DESIGNED FOR HOME USAGE ONLY. IF USED FOR COMMERCIAL OR RENTAL PURPOSES, THIS WARRANTY APPLIES ONLY FOR 30 DAYS FROM DATE OF PURCHASE. WAGNER SHALL NOT IN ANY EVENT BE LIABLE FOR ANY INCIDENTAL OR CONSEQUENTIAL DAMAGES OF ANY KIND, WHETHER FOR BREACH OF THIS WARRANTY OR ANY OTHER REASON. THIS WARRANTY DOES NOT APPLY TO ACCESSORIES.

If any product is defective in material and/or workmanship during the applicable warranty period, return it with proof of purchase, transportation prepaid, to any Wagner Authorized Service Center. (A listing of Service Center locations is enclosed with this product.) Wagner's Authorized Service Center will either repair or replace the product (at Wagner's option) and return it to you, postage prepaid.



# Consignes de sécurité important • Lire toutes ces consignes avant d'utiliser l'appareil. Garder ces consignes.

## ⚠ MISE EN GARDE

**Indique une situation à risque, laquelle, si elle n'est pas évitée, peut entraîner des blessures graves, voire la mort.**

### DANGER : GÉNÉRALITÉS

**Peut causer de graves blessures ou des dommages matériels.**

- Lisez toutes les directives et toutes les mesures de sécurité portant sur l'appareil et le produit de pulvérisation avant l'emploi de l'appareil.
- Respectez la réglementation locale, provinciale et fédérale pour tout ce qui concerne la ventilation, la prévention des incendies et les conditions générales d'utilisation.
- Cet appareil est conçu pour être utilisé avec des matériaux texturés à base d'eau seulement. N'utilisez PAS ce pulvérisateur avec un matériau inflammable ou à base d'huile.
- Gardez le pulvérisateur hors de la portée des enfants.
- Il est recommandé d'utiliser des protecteurs antibruit lors d'usages prolongés.
- Portez toujours des gants appropriés, des lunettes de protection ainsi qu'un respirateur ou un masque lorsque vous peignez.
- Ne faites pas fonctionner l'appareil ou ne pulvérisez pas de produit en présence d'enfants à proximité. Éloignez les enfants de l'appareil en tout temps.
- Ne tentez pas d'étendre votre portée à l'excès et évitez de vous placer sur un support instable. La surpulvérisation de certains matériaux peut rendre les planchers glissants. Maintenez toujours les deux pieds bien au sol pour ne pas perdre l'équilibre. Portez des chaussures à semelles de caoutchouc.
- Restez vigilant et portez attention à tout ce que vous faites.
- Ne vous servez pas de l'appareil si vous êtes fatigué ou si vos capacités sont affaiblies par la consommation de drogues ou de boissons alcoolisées.
- N'utilisez que des pièces autorisées par le fabricant. L'utilisateur assume tous les risques et responsabilités lorsqu'il utilise des pièces qui ne sont pas conformes aux spécifications et aux exigences minimales du fabricant de la turbine.
- Portez des lunettes de protection et des protecteurs antibruit.
- Portez des vêtements de travail à manches longues pour éviter les irritations cutanées.
- N'appuyez PAS sur la détente lorsque la turbine est en position d'arrêt (O) et que la trémie est remplie de matériau. Le matériau pourrait s'écouler dans la turbine.
- Toujours enlevez la turbine avant le nettoyage.

### DANGER : Inhalation de poussière

**La poussière ou le brouillard créé par ce pulvérisateur peut causer une irritation des yeux, de la peau, de la gorge, ou des voies respiratoires.**

- Évitez d'inhaler le brouillard de pulvérisation ou la poussière. Portez un respirateur homologué NIOSH / MSHA lorsque vous utilisez cet appareil et veillez à ce que toute personne pénétrant dans l'aire de travail en fasse autant.
- Maintenez une ventilation adéquate pour réduire l'exposition au brouillard et à la poussière.
- Il ne faut ni manger ni boire ni fumer sur le lieu de travail pour éviter toute ingestion de particules de peinture contaminées. Les travailleurs doivent se laver avant de manger, boire ou fumer. Il ne faut pas laisser de nourriture, de boisson ou de cigarette sur le lieu de travail; elles pourraient se couvrir de poussières.
- Respectez tous les avertissements et toutes les recommandations fournis par le fabricant de revêtement texturé.

### Danger : Risque de choc électrique

**Peut causer de graves blessures.**

- Toujours enlevez la turbine avant le nettoyage.
- Le cordon d'alimentation doit être branché à un circuit doté d'une mise à la terre.
- N'immergez jamais les composants électriques.
- Ne laissez jamais l'appareil sous la pluie. Entreposez-le à l'intérieur.

## Informations importantes sur le système électrique

Utilisez seulement une rallonge électrique trifilaire pourvue d'une prise avec mise à la terre (trois tiges) et d'une connexion femelle à trois trous convenant au cordon de l'appareil. Assurez-vous que la rallonge électrique est en bon état. Lorsque vous utilisez une rallonge électrique, assurez-vous qu'elle a un calibre assez élevé pour transmettre le courant nécessaire au fonctionnement de l'appareil.

L'utilisation d'une rallonge de calibre trop faible entraîne une chute de tension sectorielle se traduisant par une perte de courant et une surchauffe de l'appareil. On recommande des fils de calibre 14 ou 12. Si vous devez utiliser une rallonge à l'extérieur, la mention W-A doit y figurer suivant la désignation du type de rallonge. Par exemple, SJTW-A représente une rallonge appropriée pour une utilisation à l'extérieur.

### Rallonges électriques Wagner Spray Tech recommandées :

N/P 0090241 rallonge électrique de 6 m (20 pi).

N/P 0090242 rallonge électrique de 10 m (35 pi).

Calibre minimal pour les rallonges électriques									
Plage d'intensité nominale (ampères)	Tension	Longueur de la rallonge (m)							
	120V	8-16	31	46	62	77	93	124	155
3 - 4		18	16	14	12	12	10	10	8

## Directives sur la mise à la terre

Ce produit doit être mis à la terre. La mise à la terre réduit le risque de chocs électriques en fournissant au courant électrique une voie d'échappement en cas de court-circuit. Ce produit est muni d'un cordon pourvu d'un fil de mise à la terre et d'une fiche d'alimentation appropriée. La fiche d'alimentation doit être branchée dans une prise de courant correctement installée et mise à la terre conformément à la réglementation locale.

## ⚠ MISE EN GARDE

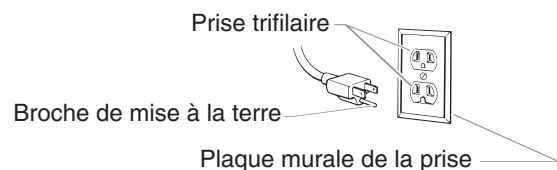


**DANGER – Une mauvaise installation de la fiche de mise à la terre peut entraîner un risque de choc électrique.**

Si vous devez faire réparer ou remplacer le cordon ou la fiche d'alimentation électrique, ne branchez pas le fil vert de mise à la terre sur une des bornes plates. Le fil vert isolé, qui pourrait aussi avoir des rayures jaunes, est le fil de mise à la terre. Il doit, par conséquent, être branché à la tige de mise à la terre.

Si vous ne comprenez pas toutes les instructions de mise à la terre ou en cas de doute sur la mise à la terre de l'outil, consultez un électricien ou un technicien qualifié. Ne modifiez pas la fiche qui vous est fournie. Si vous n'arrivez pas à l'insérer dans la prise de courant, faites installer une prise de courant adéquate par un électricien qualifié.

Cet appareil est conçu pour être utilisé sur un circuit à intensité nominale de 120 volts, et il est doté d'une fiche de mise à la terre ressemblant à celle illustrée ci-dessous. Assurez-vous que l'appareil est branché à une prise ayant la même configuration que la fiche.

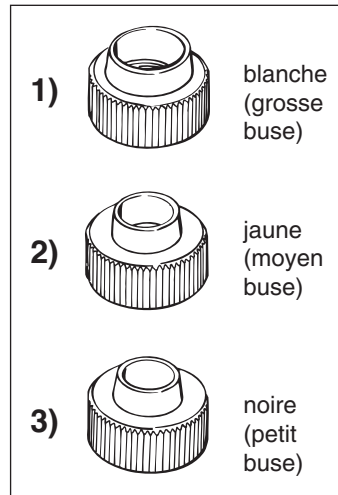
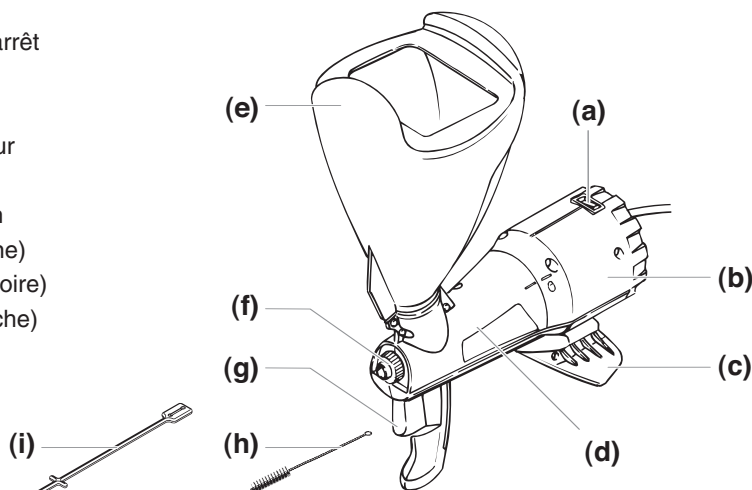


**Cet appareil est conçu uniquement pour une utilisation domestique.**



# Composants et description

- a) Interrupteur marche/arrêt
- b) Turbine
- c) Appuie-bras / support
- d) Corps du pulvérisateur
- e) Trémie
- f) Buse de pulvérisation
  - 1) grosse buse (jaune)
  - 2) moyenne buse (noire)
  - 3) petite buse (blanche)
- g) Détente
- h) Brosse de nettoyage
- i) Support de buse



**Interrupteur marche/arrêt** . . . L'interrupteur marche/arrêt met le pulvérisateur sous tension et hors tension (O = arrêt, I = marche).

**Turbine** . . . . . La turbine produit le débit d'air servant à pulvériser le matériau.

**Lock N Go™** . . . . . Ce pulvérisateur a été conçu avec la technologie Lock N Go™, facilitant le nettoyage.

**Détente** . . . . . La détente régularise le débit de fluide pompé. Plus vous appuyez sur la détente, plus le débit de matériau est important au sortir de la buse. N'appuyez **PAS** sur la détente lorsque la turbine est en position d'arrêt (O) et s'il y a présence de matériau dans la trémie. Le matériau pourrait alors s'écouler dans la turbine.

**Buse de pulvérisation** . . . . Cet appareil est équipé de trois différentes buses de pulvérisation. La dimension d'ouverture des buses diffère (grosse, moyenne, petite) et cela détermine le volume de matériau pulvérisé. Plus grande est l'ouverture, plus le débit de matériau est important au sortir de la buse.

**Trémie** . . . . . La trémie peut pivoter à 180° pour permettre un plus grand angle de pulvérisation. Vous pouvez également positionner votre main à l'arrière de la trémie pour augmenter la stabilité de l'appareil.

**Appuie-bras** . . . . . Le pulvérisateur a été conçu pour reposer confortablement sur le bras de l'utilisateur.

**Support de buse** . . . . . Le support de buse peut être fileté dans les buses et être ensuite enroulé sur le cordon d'alimentation pour un rangement aisé.

**Type de produit :** Le pulvérisateur Power Tex® est destiné à un usage domestique pour l'application de matériaux texturés à base d'eau sur les plafonds, murs et autres surfaces. Le Power Tex® est un outil idéal pour appliquer un matériau texturé sur de petites surfaces ou pour réparer des sections texturées endommagées, martelées ou acoustiques.

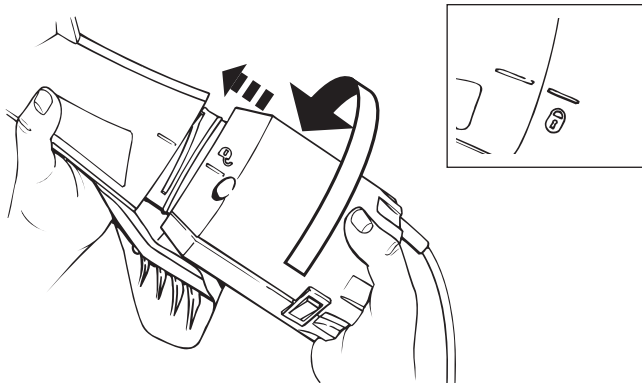
**Matériaux pouvant être pulvérisés :** Cet appareil a été conçu pour être utilisé avec 1) des matériaux agglomérés de type pseudo-acoustiques (rappelant le maïs soufflé) et 2) avec des matériaux non agglomérés tels un composé à joint dilué produisant des effets de martellement ou de peau d'orange. Veuillez respecter toutes les recommandations et tous les avertissements du fabricant lors du mélange et de l'utilisation de matériaux texturés.

**Mélange du matériau :** Lorsque vous mélangez le matériau à pulvériser, suivez les directives du fabricant. **Il est très important que le matériau que vous utilisez soit bien mélangé.** Il doit avoir une apparence crémeuse, détrempée et sans grumeaux, comme une pâte à crêpe (reportez-vous au tableau de la page 11 pour les différentes variations). Ne mélangez **PAS** le matériau à l'intérieur de la trémie. Utilisez un contenant séparé pour mélanger le matériau. Pour de meilleurs résultats, utilisez une perceuse électrique pourvue d'un mélangeur à peinture. Veuillez à ce que le matériau se stabilise pendant 15 minutes avant utilisation et mélangez-le de nouveau à fond. Pour assurer une uniformité du produit, mélangez une quantité suffisante pour terminer le travail. Le mélange de quantités différentes pour une même tâche peut produire des résultats non uniformes.

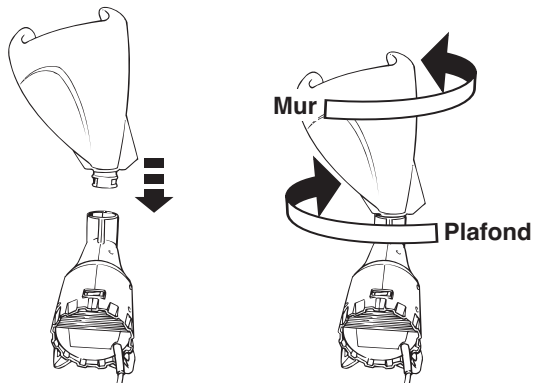
**Préparation de l'aire de travail :** La pulvérisation de matériau texturé crée beaucoup de poussière et de surpulvérisation de matière. Il est nécessaire d'utiliser des toiles de protection pour recouvrir tout ce que vous désirez mettre à l'abri des jets de pulvérisation (murs, fenêtres, planchers, meubles) et de retirer de la pièce tous les articles non essentiels devant être protégés. Assurez-vous que la surface de travail a été bien préparée. L'application du produit sur une surface non scellée, tachée, incorrectement préparée ou non complètement séchée peut causer une décoloration et des problèmes d'adhérence.

# Montage

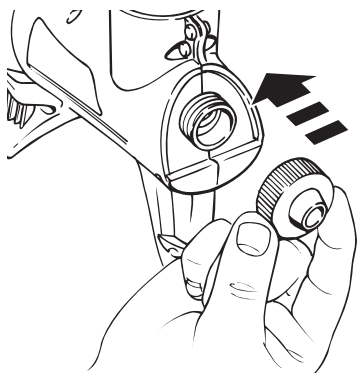
1. Alignez le symbole « déverrouillage » sur la turbine avec le guide sur le pulvérisateur. Tournez les deux moitiés dans le sens opposé jusqu'à ce que le symbole « verrouillage » sur la turbine soit aligné avec le guide sur le pulvérisateur.



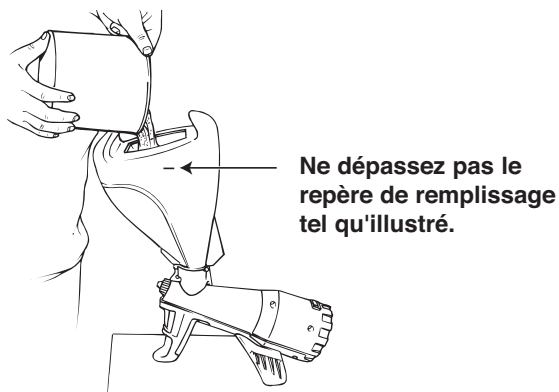
2. Tout en faisant face à l'arrière de l'ensemble pulvérisateur/turbine, insérez la trémie dans le réceptacle avec la trémie orientée tel qu'illustré. Selon la surface que vous désirez pulvériser, tournez la trémie d'un quart de tour dans un sens ou l'autre pour la verrouiller en position.



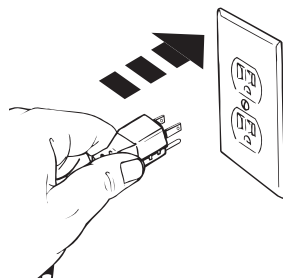
3. Montez la buse désirée en la filetant sur l'extrémité du pulvérisateur.



4. Remplissez lentement la trémie avec le matériau que vous prévoyez utiliser. Assurez-vous que l'ensemble pulvérisateur/turbine repose sur une surface plane et stable, recouverte d'une toile de protection.

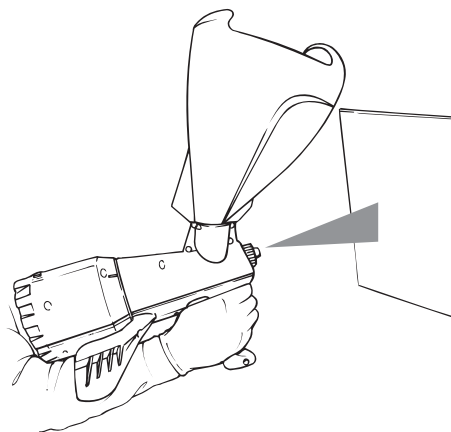


5. Branchez le cordon d'alimentation dans une rallonge électrique. Branchez la rallonge électrique dans une prise de courant avec mise à la terre. Mettez l'interrupteur en position de marche (I).



**La turbine démarrera et de l'air s'échappera par la buse. Aucun matériau ne sortira par la buse avant que vous n'appuyez sur la détente.**

6. Positionnez l'appuie-bras sur votre avant-bras. Orientez le pulvérisateur sur une pièce de rebut en bois ou en carton pour vérifier le motif de pulvérisation.



# Pulvérisation de matériau texturé

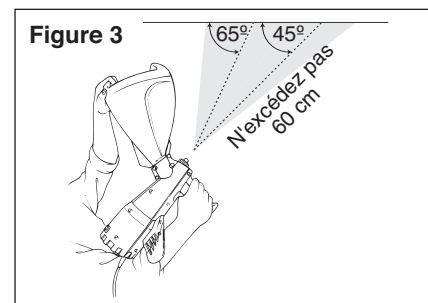
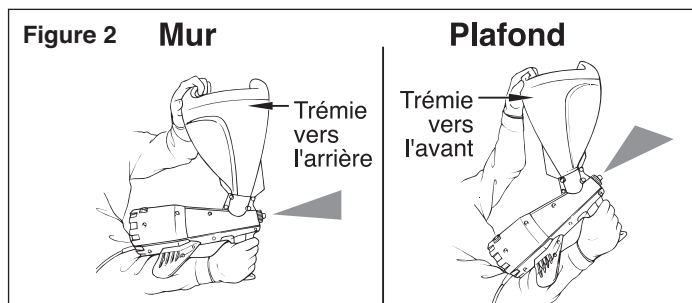
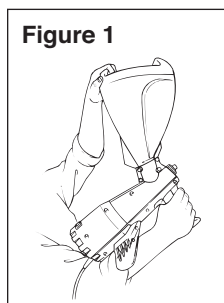
## Conseils généraux de pulvérisation :

- Le pulvérisateur peut sembler lourd lorsque rempli de matériau de pulvérisation. Il est recommandé que vous placiez votre main libre à l'arrière de la trémie pour obtenir un meilleur soutien en cours d'usage (**voir figure 1**).
- Faites pivoter la trémie vers l'avant lorsque vous traitez un plafond et faites-la pivoter vers l'arrière lorsque vous traitez un mur (**voir figure 2**).
- Lorsque vous pulvérisez, dans la mesure du possible, ne distancez pas la buse de plus de 60 cm (2 pi) par rapport à la surface. Lorsque vous traitez des plafonds, gardez le pulvérisateur à un angle de 45° à 65° par rapport à la surface à pulvériser (**voir figure 3**). Vous pouvez varier l'angle de pulvérisation, la grosseur de la buse et l'appui sur la détente pour obtenir les résultats désirés.
- Si vous traitez une grande surface, «balayez» la surface par des mouvements de va-et-vient plus amples en gardant la détente enfoncée pour obtenir une couverture optimale. Il est recommandé de pulvériser la surface par sections de 1 m x 1 m (3 pi x 3 pi), en les faisant chevaucher légèrement. Pulvérisez chaque section dans un sens et faites ensuite un trait perpendiculaire pour compléter la section.
- L'épaisseur du matériau à pulvériser peut être modifiée en ajoutant de petites quantités d'eau ou de matériau.
- La pulvérisation de matériau texturé crée beaucoup de poussière et de surpulvérisation de matière. Il est recommandé d'utiliser des toiles de protection et de recouvrir adéquatement tout ce que vous désirez mettre à l'abri des jets de pulvérisation (murs, fenêtres, planchers, meubles) et de retirer de la pièce tous les articles non essentiels devant être protégés.
- Le motif de pulvérisation peut être réglé en changeant de grosseur de buse. Avant d'enlever une buse ou de la changer, mettez toujours l'interrupteur en position d'arrêt (O) et débranchez le cordon d'alimentation.
- Lorsque vous réparez une petite surface, il est judicieux de gratter tout matériau endommagé autour de la section à traiter. Pulvérisez une surface légèrement plus grande que la section à traiter pour créer une apparence d'uniformité. De manière générale, lorsque vous réparez une petite surface, il est conseillé d'utiliser la petite buse et d'appuyer sur la détente par intermittence avec une légère pression.
- Toutes les surfaces neuves doivent être recouvertes d'un apprêt avant de procéder à une pulvérisation de matériau texturé.
- Les matériaux à effets de martellement et de peau d'orange peuvent devoir être peints après l'application pour créer une couleur finale uniforme.

Reportez-vous au tableau ci-dessous pour des conseils à propos des différentes variables entrant en ligne de compte lors d'une pulvérisation de matériau texturé. La pulvérisation de matériau texturé n'est pas une science exacte et les variables ci-dessous peuvent devoir être modifiées en fonction de vos besoins particuliers en matière de pulvérisation de matériau texturé.

Textures	Pseudo-acoustique (maïs soufflé)			Martellement			Piel de Naranja		
	Jet fin	Moyen	Gros grain	Jet fin	Moyen	Gros grain	Jet fin	Moyen	Gros grain
Matériau à acheter	Aggloméré fin	Aggloméré moyen	Aggloméré à gros grain	Non aggloméré ou composé à joint dilué	Non aggloméré ou composé à joint dilué	Non aggloméré ou composé à joint dilué	Non aggloméré ou composé à joint dilué	Non aggloméré ou composé à joint dilué	Non aggloméré ou composé à joint dilué
Épaisseur du matériau	Légèrement plus dilué (ajouter de l'eau)	Pâte à crêpes	Légèrement plus épais (ajouter du matériau)	Légèrement plus dilué (ajouter de l'eau)	Pâte à crêpes	Légèrement plus épais (ajouter du matériau)	Légèrement plus dilué (ajouter de l'eau)	Légèrement plus dilué (ajouter de l'eau)	Pâte à crêpes
Couleur de la buse	Jaune	Jaune	Jaune	Noire	Jaune	Blanche	Noire	Noire	Jaune
Détente	Maximum	Maximum	Maximum	Maximum	Maximum	Maximum	À demi	Maximum	Maximum
Peinture nécessaire après l'application	Non	Non	Non	Oui	Oui	Oui	Oui	Oui	Oui

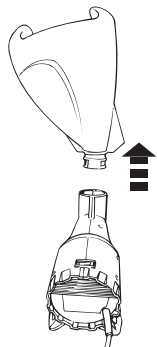
\*Lorsque vous désirez faire du martellement, laissez le matériau sécher de 10 à 15 minutes après l'application. Utilisez une raclette souple pour «marteler» le matériau. N'attendez pas plus de 30 minutes après l'application pour marteler le matériau.



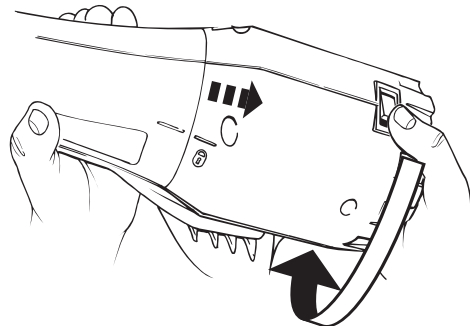
# Nettoyage

1. Mettez l'interrupteur en position d'arrêt (O) et débranchez le cordon d'alimentation. Assurez-vous qu'il n'y a plus de matériau de pulvérisation dans la trémie. Versez tout matériau non utilisé dans un contenant séparé. Enlevez la trémie une fois qu'elle est vide.

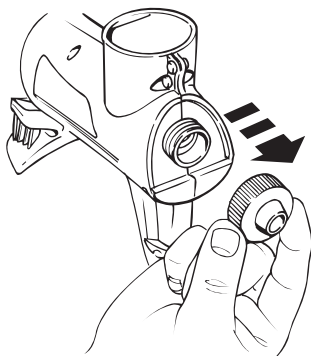
**Ne tentez PAS de retirer la trémie du pulvérisateur lorsqu'elle est pleine de matériau.**



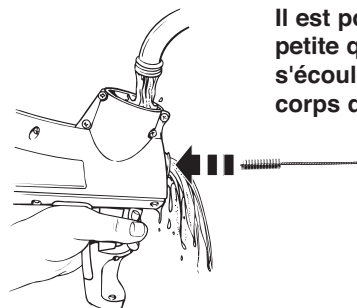
2. Déverrouillez la turbine du pulvérisateur en tournant les deux moitiés en sens contraire. Le symbole «déverrouillage» sur la turbine doit être positionné en direction du guide sur le pulvérisateur. Déposez la turbine à l'écart dans un endroit sec.



3. Enlevez la buse du pulvérisateur.

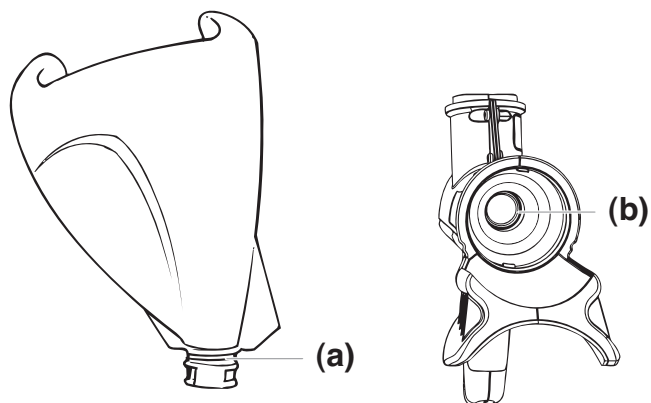


4. La buse, le pulvérisateur et la trémie peuvent maintenant être nettoyés à la main en utilisant une eau savonneuse tiède ainsi que la brosse de nettoyage fournie avec l'appareil. Laissez circuler l'eau du robinet dans la section où la trémie se raccorde au pulvérisateur. Pendant que l'eau coule, actionnez la détente pour nettoyer la section de la buse à fond. N'immergez PAS la turbine. L'extérieur de la turbine peut être nettoyé avec un chiffon humide.

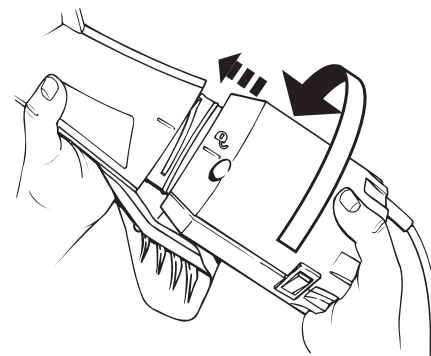


**Il est possible qu'une petite quantité d'eau s'écoule par l'arrière du corps de pulvérisateur.**

5. Le lubrifiant étant inclus avec votre pulvérisateur, lubrifiez les joints toriques sur la trémie et lubrifiez le bord externe du plongeur l'intérieur l'arrière du logement de pulvérisateur (b). Tirez et libérez le détente plusieurs fois de distribuer le lubrifiant.



6. Une fois tous les composants nettoyés, essuyez-les avec un chiffon sec. Réassemblez le pulvérisateur avec la turbine. Le Interrupteur marche/arrêt de devrait faire face vers le haut. Étiquettes propres de turbine avec un chiffon humide.



# Dépannage / Garantie

## Problème

A. Le pulvérisateur ne démarre pas.

## Cause

1. Le pulvérisateur n'est pas branché.
2. L'interrupteur marche/arrêt est en position d'arrêt.
3. Il n'y a pas de tension à la prise murale.
4. La rallonge électrique est endommagée ou de trop faible calibre.
5. Il y a un problème avec la turbine.

## Solution

1. Brancher le pulvérisateur.
2. Mettre l'interrupteur en position marche (I).
3. Examinez correctement la tension d'alimentation d'énergie.
4. Remplacer la rallonge électrique.
5. Apporter à un centre de service autorisé pour réparation.

B. Aucun matériau ne sort du pulvérisateur.

1. Le matériau trop épais.
2. La buse est trop petite pour l'épaisseur du matériau.
3. Le pulvérisateur est bouché ou encrassé.

1. Diluer le matériau.
2. Commutez à un plus grand buse ou diluer le matériau.
3. Nettoyez complètement le pulvérisateur.

C. La vitesse d'application est trop lente.

1. La buse est trop petite.
2. Le pulvérisateur est bouché ou encrassé.
3. Le joint torique de la turbine est endommagé, manquant ou encrassé.

1. Commutez à un plus grand buse.
2. Nettoyez complètement le pulvérisateur.
3. Nettoyez ou remplacez le joint torique de la turbine.

D. Projection en gouttes/débit intermittent.

1. La trémie est vide.
2. Le pulvérisateur est bouché ou encrassé.

1. Remplir la trémie.
2. Nettoyez complètement le pulvérisateur.

E. Motif de pulvérisation en mottes.

1. Le matériau n'est pas suffisamment mélangé.

1. Mélangez le matériau.

F. Fuite de matériau au raccordement de la trémie.

1. Le joint torique sur la trémie est endommagé, manquant ou encrassé.

1. Nettoyez ou remplacez le joint torique la trémie.

## **GARANTIE LIMITÉE D'UN AN - À conserver**

Ce produit, fabriqué par Wagner Spray Tech Corporation (Wagner) est garanti contre tout défaut de matériau ou de fabrication pendant un an à compter de la date d'achat lorsqu'il est utilisé conformément aux recommandations et aux directives imprimées de Wagner. Cette garantie ne couvre pas l'usure normale, les dommages découlant d'un accident, d'une utilisation incorrecte ou de négligence. La présente garantie ne couvre pas non plus les défauts ou dommages causés par un entretien ou une réparation effectué par une personne qui n'est pas membre d'un centre d'entretien agréé de Wagner.

TOUTE GARANTIE IMPLICITE DE QUALITÉ MARCHANDE OU D'ADAPTATION À UN USAGE PARTICULIER EST LIMITÉE À UNE ANNÉE À COMPTER DE LA DATE D'ACHAT. CE PRODUIT EST CONÇU POUR UN USAGE DOMESTIQUE SEULEMENT. S'IL EST UTILISÉ À DES FINS COMMERCIALES OU DE LOCATION, CETTE GARANTIE EST LIMITÉE À UNE PÉRIODE DE 30 JOURS À COMPTER DE LA DATE D'ACHAT. WAGNER NE POURRA EN AUCUN CAS ÊTRE TENUE RESPONSABLE DE DOMMAGES-INTÉRÊTS INDIRECTS OU CONSÉCUTIFS, QUE CE SOIT POUR UNE VIOLATION DE CETTE GARANTIE OU POUR TOUTE AUTRE RAISON. CETTE GARANTIE NE COUVRE PAS LES ACCESSOIRES.

Si un produit est défectueux en ce qui concerne les matériaux ou la main-d'œuvre pendant la période couverte par la garantie, vous devez le retourner accompagné de la preuve d'achat, frais de transport payés, à n'importe quel centre d'entretien agréé de Wagner. (Une liste des adresses de centres d'entretien accompagne ce produit.) Le centre de service agréé de Wagner réparera ou remplacera le produit (au choix de Wagner) et vous le renverra, port payé.



# Información de seguridad importante • Lea toda la información de seguridad antes de operar el equipo. Guarde estas instrucciones.

## ⚠️ ADVERTENCIA

Indica una situación peligrosa que, de no evitarse, puede causar la muerte o lesiones graves.

### PELIGRO: INFORMACIÓN GENERAL

Puede ocasionar lesiones graves o daños a la propiedad.

- Lea todas las instrucciones y precauciones de seguridad del equipo y del material que usará para rociar, antes de utilizar cualquier equipo.
- Respete todos los códigos locales, estatales y nacionales pertinentes sobre la ventilación, la prevención de incendios y el uso de la unidad.
- Esta unidad está diseñada para utilizar únicamente materiales con textura a base de agua. NO utilice este rociador con materiales inflamables o a base de aceite.
- Mantenga el rociador fuera del alcance de los niños.
- Se recomienda usar protección auditiva durante el uso prolongado de la unidad.
- Siempre utilice guantes, protección ocular y respirador o máscara adecuados cuando pinte.
- No haga funcionar la unidad, ni rocíe cerca de los niños. Mantenga a los niños alejados del equipo en todo momento.
- No se asome ni se pare sobre soportes inestables. El piso puede volverse resbaladizo a causa del rocío accidental de ciertos materiales. Mantenga siempre el equilibrio y asegúrese de tener una posición firme. Utilice zapatos con suelas de goma.
- Manténgase alerta y preste atención a lo que está haciendo.
- No utilice la unidad cuando se encuentre cansado o bajo la influencia de las drogas o el alcohol.
- Utilice únicamente piezas autorizadas por el fabricante. Si se utilizan piezas que no cuentan con las especificaciones y dispositivos de seguridad mínimos establecidos por el fabricante de la turbina, el usuario asumirá todos los riesgos y responsabilidades.
- Utilice protección ocular y auditiva.
- Utilice ropa de trabajo de mangas largas para evitar la irritación de la piel.
- NO presione el gatillo mientras la turbina esté en la posición de apagado – OFF (0) – y la pistola contenga material, ya que éste podría filtrarse hacia la turbina.
- Siempre retire la turbina antes de realizar la limpieza.

### PELIGRO: Inhalación del Polvo

El polvo o rocío que genera este rociador puede ocasionar irritación en los ojos, la piel, la garganta o las vías respiratorias.

- Al utilizar este equipo, evite inhalar el rocío o el polvo utilizando una mascarilla aprobada por NIOSH / MSHA. Las personas que ingresen al área de trabajo también deberán utilizar una mascarilla.
- Permita una ventilación adecuada para reducir la exposición al polvo o al rocío.
- No se debe comer, beber ni fumar en el área de trabajo, para evitar la ingestión de partículas de pintura contaminadas. Los trabajadores deben lavarse y limpiarse antes de comer, beber o fumar. No se debe dejar comida, bebidas ni cigarrillos en el área de trabajo ya que el polvo puede acumularse sobre estos elementos.
- Siga todas las advertencias y recomendaciones del fabricante de revestimientos con textura.

### Peligro: Peligro de Descarga Eléctrica

Puede causar lesiones graves.

- Siempre retire la turbina antes de realizar la limpieza.
- El cable de alimentación debe estar conectado a un circuito con toma a tierra.
- Nunca sumerja las piezas eléctricas.
- Nunca exponga el equipo a la lluvia. Almacénelo bajo techo.

## Información Importante sobre el Sistema Eléctrico

Utilice sólo un cable de extensión de tres alambres que tenga un enchufe con toma a tierra de 3 patas y un enchufe hembra de 3 ranuras que admita el enchufe del producto. Asegúrese de que el cable de extensión se encuentre en buen estado. Cuando utilice un cable de extensión, asegúrese de que tenga la resistencia necesaria para transmitir la corriente que utilizará el producto. Un cable de extensión inadecuado ocasionará una baja en el voltaje de línea, lo que provocará una pérdida de energía y recalentamiento. Se recomienda un cable de calibre 14 ó 12. Si se utiliza un cable de extensión en exteriores, éste deberá estar marcado con el sufijo W-A luego de la designación del tipo de cable. Por ejemplo, una designación de SJTW-A indica que el cable es adecuado para el uso en exteriores.

P/N 0090241 cable de extensión de 20 pies.

P/N 0090242 cable de extensión de 35 pies.

Calibre mínimo para los cables de extensión									
Rango de clasificación de amperios	Voltaje	Largo del cable (pies)							
		25-50	100	150	200	250	300	400	500
3 - 4	120V	18	16	14	12	12	10	10	8

## Instrucciones para la Toma a Tierra

Este producto debe instalarse con una toma a tierra. En caso de cortocircuito eléctrico, la toma a tierra reduce el riesgo de descargas mediante un cable de escape para la corriente eléctrica. El cable de este producto posee una línea y su correspondiente enchufe, ambos con toma a tierra. El enchufe debe conectarse a un tomacorriente que esté instalado y conectado a tierra apropiadamente, de acuerdo con todos los códigos y ordenanzas locales.

## ⚠️ ADVERTENCIA

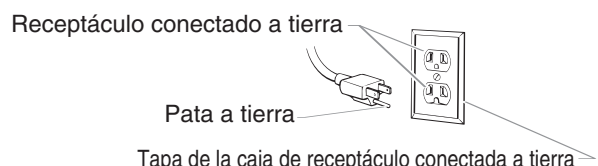


**PELIGRO: la instalación inadecuada del enchufe con toma a tierra puede producir riesgos de descarga eléctrica.**

Si es necesario reparar o reemplazar el cable o el enchufe, no conecte el cable verde de la toma a tierra a ninguno de los dos terminales de borde plano. El cable con aislamiento que presenta una superficie exterior verde, con o sin franjas amarillas, es el cable de la toma a tierra y debe conectarse a la clavija de toma a tierra.

Consulte con un electricista calificado o con personal técnico habilitado si no comprende completamente las instrucciones sobre la toma a tierra o si tiene alguna duda acerca de si la herramienta tiene una toma a tierra adecuada. No modifique el enchufe que viene con el producto. Si el enchufe no corresponde al tomacorriente, haga que un electricista calificado instale el tomacorriente adecuado.

Este producto se utiliza en un circuito de 120 voltios (nominal) y cuenta con un enchufe con toma a tierra semejante al enchufe que se muestra a continuación. Asegúrese de que la herramienta esté conectada a un tomacorriente que tenga la misma configuración que el enchufe.



**Este producto está diseñado solamente para el uso doméstico.**

# Descripción de los Componentes

a) Interruptor de encendido y apagado (ON /OFF)

b) Turbina

c) Apoyabrazos / Soporte

d) Estructura del rociador

e) Tolva

f) Boquilla rociadora

1) boquilla grande (amarilla)

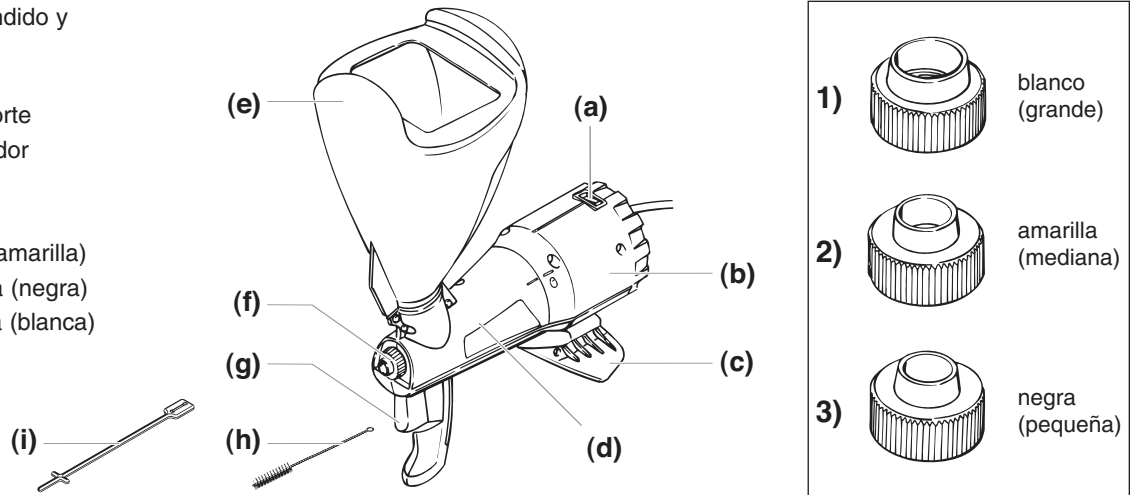
2). boquilla mediana (negra)

3). boquilla pequeña (blanca)

g) Gatillo

h) Cepillo de limpieza

i) Sujetador para boquillas



**Interruptor** . . . . . El interruptor enciende y apaga el rociador (O=APAGADO, I=ENCENDIDO).

**Turbina** . . . . . La turbina genera el flujo de aire que rocía el material.

**Lock N Go™** . . . . . Este rociador ha sido diseñado con la tecnología Lock N Go™, que permite una limpieza sencilla.

**Gatillo** . . . . . El gatillo controla el paso del fluido que se bombea. Cuanto más presione el gatillo, mayor cantidad de material fluirá a través de la boquilla. **NO** presione el gatillo mientras la turbina esté en posición OFF (O) y la pistola contenga material, pues éste podría filtrarse hacia la turbina.

**Boquilla rociadora** . . . . . Esta unidad está equipada con tres boquillas rociadoras diferentes. Las boquillas tienen aberturas de distintos tamaños (grande, mediano, pequeño) que regulan la cantidad de material que se rociará. Cuanto más grande sea la abertura, mayor cantidad de material fluirá a través de la boquilla.

**Tolva** . . . . . La tolva se puede rotar 180° para rociar material en un ángulo mayor. Si necesita una mejor estabilidad durante la utilización, el usuario puede colocar la mano libre sobre la parte posterior de la tolva.

**Apoyabrazos** . . . . . El rociador ha sido diseñado para ser apoyado sobre el brazo durante el funcionamiento, de una manera que resulte cómoda para el usuario.

**Sujetador para boquillas** . . . Es posible pasar el sujetador por los orificios de las boquillas y colocarlo alrededor del cable de alimentación para un almacenamiento más sencillo.

**Descripción del Producto:** El Power Tex® está diseñado para la aplicación residencial de materiales con textura a base de agua, sobre techos, paredes u otras superficies. El Power Tex® es la herramienta ideal para la aplicación de material con textura sobre áreas pequeñas, o para la reparación de secciones de manchado o de superficies con textura acústica dañadas.

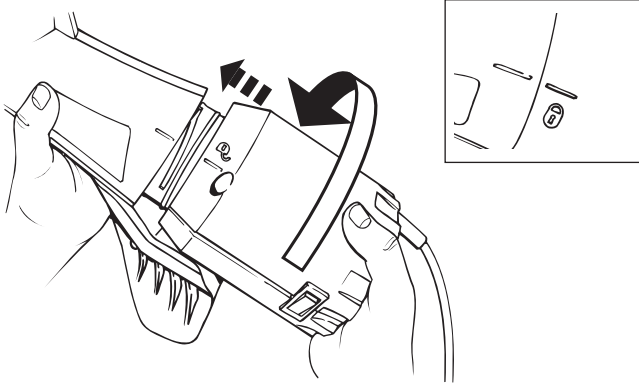
**Materiales que se pueden rociar:** Esta unidad ha sido diseñada para utilizar **1)** productos con agregado de material, como para los acabados acústicos de imitación (“popcorn”) y **2)** productos sin agregado de material, como los compuestos diluidos para uniones que logran los efectos de manchado y piel de naranja. Asegúrese de seguir todas las recomendaciones y advertencias del fabricante al mezclar y utilizar materiales con textura.

**Mezcla del material:** Siga las instrucciones del fabricante para mezclar el material que va a rociar. **Es muy importante que el material esté mezclado adecuadamente.** Su consistencia debe ser cremosa, húmeda y no debe tener grumos, como la preparación para panqueques (consulte la tabla de la página 17 que muestra las diferentes variantes según la textura). **NO** mezcle el material dentro de la pistola: utilice otro contenedor para mezclar el material. Si desea lograr mejores resultados, utilice un taladro eléctrico con un accesorio para mezclar el material. Antes de utilizarlo, asegúrese de que el material decante por 15 minutos y luego mézclelo bien nuevamente. Para garantizar una consistencia adecuada, mezcle suficiente material como para terminar el trabajo, ya que preparar diferentes lotes para un único trabajo puede causar resultados desiguales.

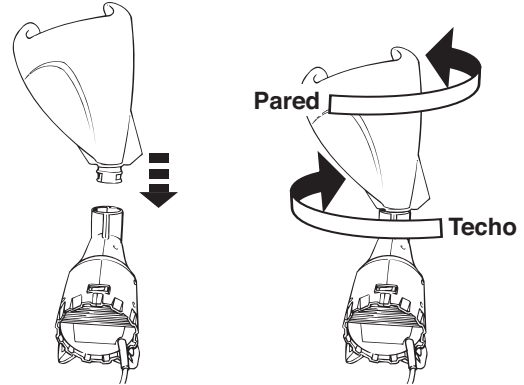
**Preparación del área de trabajo:** Al rociar materiales con textura, se produce una gran cantidad de polvo y exceso de rocío, por lo que deberá cubrir con protectores de tela todo aquello que no quiera rociar (paredes, ventanas, pisos, muebles) y retirar de la habitación todos los elementos que no sean indispensables. Asegúrese de que la superficie de trabajo también haya sido preparada adecuadamente. Si aplica el material sobre superficies que no han sido selladas, que están manchadas, que han sido preparadas de manera inadecuada o que no están completamente secas, es posible que el material no se adhiera o el color no sea parejo.

# Preparación

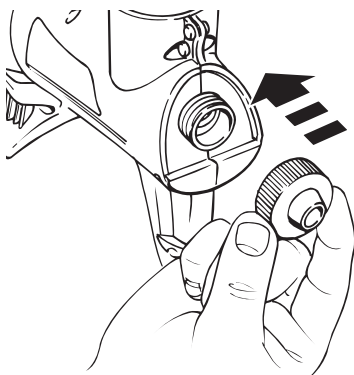
1. Alinee el símbolo de desbloqueo de la turbina con la guía del rociador. Haga girar las dos partes en direcciones opuestas hasta que el símbolo de bloqueo de la turbina esté alineado con la guía del rociador.



2. De frente a la parte trasera del ensamblaje del rociador y la turbina, inserte la tolva en el receptáculo como se indica en la figura. Según la superficie que desee rociar, gire la tolva 1/4 de vuelta en cualquier dirección para asegurarla en su lugar.



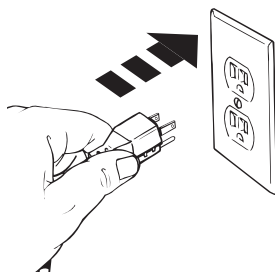
3. Coloque la boquilla adecuada enroscándola en el extremo del rociador.



4. Llene lentamente la pistola con el material que desee utilizar. Asegúrese de que el ensamblaje del rociador y la turbina se encuentre apoyado sobre una superficie plana y estable, cubierta con un protector de tela.

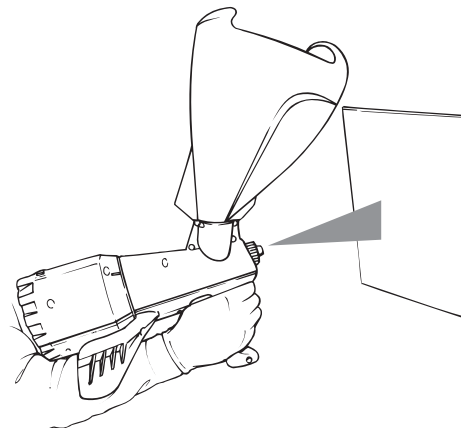


5. Enchufe el cable de alimentación en un cable de extensión. Enchufe el cable de extensión en un tomacorriente con toma a tierra. Coloque el interruptor en la posición de encendido: ON (I).



La turbina se pondrá en marcha y saldrá aire por la boquilla. Mientras no presione el gatillo, no saldrá material por la boquilla.

6. Coloque el apoyabrazos sobre su antebrazo. Apunte el rociador a un trozo desechable de madera o cartón para probar la modalidad de rociado.





# Rociado de Material con Textura

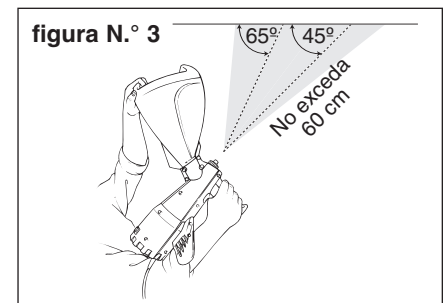
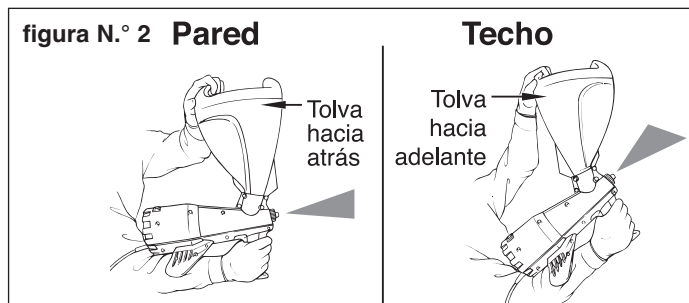
## Consejos Generales para el Rociado:

- El rociador tendrá un peso considerable cuando esté lleno de material. Se recomienda colocar la mano libre en la parte trasera de la pistola para lograr un mayor apoyo durante la utilización (**vea la figura N.º 1**).
- Mueva la pistola hacia adelante para rociar un techo o hacia atrás para rociar una pared (**vea la figura N.º 2**).
- Al rociar, mantenga la boquilla a no más de una distancia de 2 pies de la superficie. Al trabajar en techos, mantenga el rociador en un ángulo de entre 45° y 65° con respecto a la superficie a rociar (**vea la figura N.º 3**). Puede variar el ángulo de rociado, el tamaño de la boquilla y la presión sobre el gatillo para lograr los resultados deseados.
- Si debe rociar una superficie de gran tamaño, realice movimientos que barran la superficie ampliamente, de lado a lado, y mantenga una presión constante sobre el gatillo, para conseguir una cobertura óptima. Se recomienda rociar la superficie por secciones de 3' x 3' que se superpongan levemente. Rocíe cada sección en una dirección, luego rocíe en un ángulo perpendicular para completar la sección.
- Se puede variar la densidad del material a rociar agregando pequeñas cantidades de agua o de material.
- Al rociar materiales con textura, se produce una gran cantidad de polvo y exceso de rocío. Por esta razón, se recomienda cubrir adecuadamente con protectores de tela todo aquello que no desea rociar (paredes, ventanas, pisos, muebles) y retirar de la habitación todos los elementos que no sean indispensables.
- La modalidad de rociado se puede variar cambiando la boquilla por otra de diferente tamaño. Antes de quitar o cambiar una boquilla, siempre apague el rociador, colocando el interruptor en la posición OFF (O), y desenchufe el cable de alimentación.
- Al reparar un área pequeña, es aconsejable raspar todo el material dañado que pueda encontrarse alrededor del área afectada. Rocíe una superficie un poco mayor al área dañada para crear un efecto uniforme. En general, al reparar un área pequeña, deberá utilizar la boquilla pequeña y presionar el gatillo suave e intermitentemente.
- Antes de rociar el material con textura, se deben cubrir todas las superficies nuevas con primer.
- Luego de aplicar materiales para lograr efectos de manchado o de piel de naranja, es posible que sea necesario pintar la superficie, si se desea obtener un color final uniforme.

Consulte la tabla que aparece a continuación si necesita referencias sobre las variantes para el rociado de material con textura. Realizar acabados con textura no es una ciencia exacta, por lo que las variables que se brindan a continuación deberán ser adaptadas para que cumplan con las necesidades particulares de su trabajo.

Textura	Acústica de Imitación (popcorn)			Manchado			Piel de Naranja			
	Efecto	Fino	Medio	Grueso	Fino	Medio	Grueso	Fino	Medio	Grueso
Material que debe comprar	Con agregado fino	Con agregado medio	Con agregado grueso	Compuesto para uniones diluido o sin agregado	Compuesto para uniones diluido o sin agregado	Compuesto para uniones diluido o sin agregado	Compuesto para uniones diluido o sin agregado	Compuesto para uniones diluido o sin agregado	Compuesto para uniones diluido o sin agregado	Compuesto para uniones diluido o sin agregado
Densidad del material	Diluido levemente (agregue agua)	Consistencia de la preparación para panqueques	Levemente espeso (agregue material)	Diluido levemente (agregue agua)	Consistencia de la preparación para panqueques	Levemente espeso (agregue material)	Diluido levemente (agregue agua)	Diluido levemente (agregue agua)	Consistencia de la preparación para panqueques	Consistencia de la preparación para panqueques
Color de la boquilla	Amarilla	Amarilla	Amarilla	Negra	Amarilla	Blanco	Negra	Negra	Amarilla	Amarilla
Presión en el gatillo	Total	Total	Total	Total	Total	Total	Media	Total	Total	Total
Pintura luego de la aplicación	No	No	No	Sí	Sí	Sí	Sí	Sí	Sí	Sí

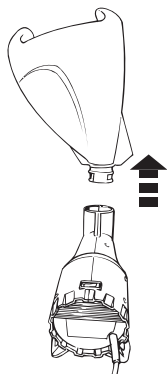
\*Para el efecto de manchado, deje secar el material de 10 a 15 minutos luego de la aplicación. Utilice una escobilla blanda para "manchar" la superficie. No deje pasar más de 30 minutos luego de la aplicación para realizar el efecto de manchado.



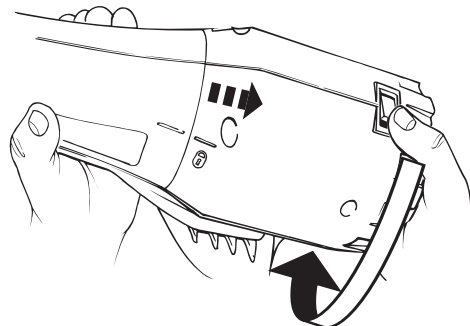
# Limpeza

1. Coloque el interruptor en la posición OFF (O) y desenchufe el cable de alimentación. Asegúrese de que la tolva esté vacía. Vierta todo el material restante en otro contenedor. Retire la tolva cuando esté vacía.

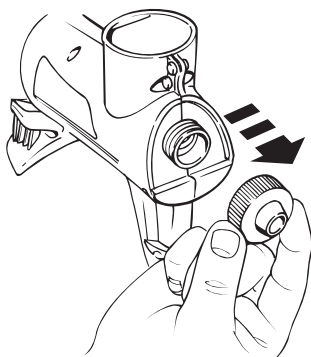
**NO intente quitar la tolva del rociador si contiene material.**



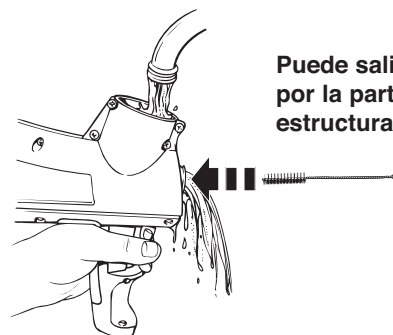
2. Desbloquee la turbina del rociador haciendo girar las dos partes en direcciones opuestas. El símbolo de desbloqueo de la turbina debe acercarse a la guía del rociador. Coloque la turbina a un lado en un lugar seco.



3. Retire la boquilla del rociador.

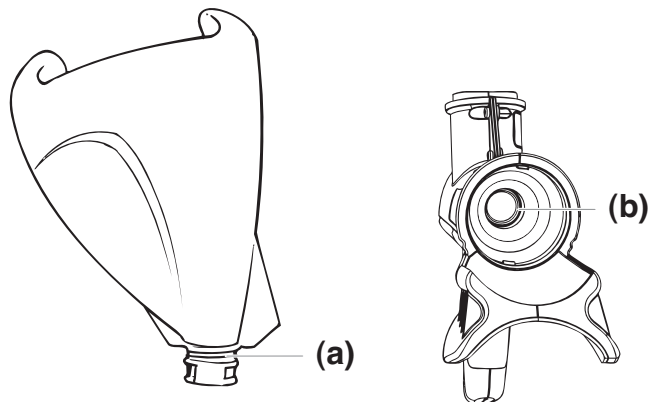


4. Ahora se pueden limpiar a mano la boquilla, el rociador y la tolva, utilizando agua tibia y jabonosa, y el cepillo de limpieza provisto con la unidad. Deje correr agua del grifo dentro del área donde se conecta la tolva y el rociador. Mientras el agua corre, presione el gatillo para limpiar completamente el área de la boquilla. NO sumerja la turbina. El exterior de la turbina se puede limpiar con un paño húmedo.

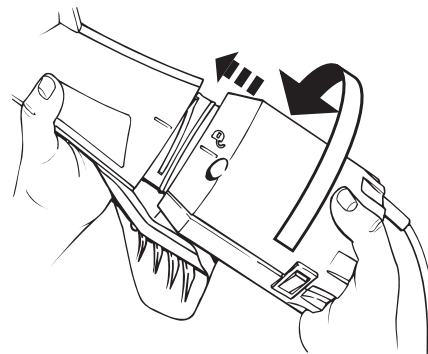


**Puede salir algo de agua por la parte trasera de la estructura del rociador.**

5. Usando el lubricante incluido con el rociador, lubrique los aros tóricos en la tolva y lubrique el borde externo del émbolo el interior la parte posterior de la cubierta del rociador (b). Tire y lance del gatillo algunas veces de distribuir el lubricante.



6. Luego de que todos los componentes estén limpios, seque con un paño. Vuelva a ensamblar el rociador y la turbina. El interruptor encendido/apagado debe hacer frente hacia arriba. Etiquetas limpias de la turbina con un paño húmedo



# Solución de Problemas / Garantía

## Problema

## Causa

## Solución

A. El rociador no se pone en marcha.	<ol style="list-style-type: none"><li>1. El rociador no está enchufado.</li><li>2. El interruptor se encuentra en la posición de apagado (OFF).</li><li>3. No hay voltaje en el enchufe de la pared.</li><li>4. El cable de extensión está dañado o tiene muy poca capacidad.</li><li>5. Existe algún problema con la turbina.</li></ol>	<ol style="list-style-type: none"><li>1. Enchufe el rociador.</li><li>2. Coloque el interruptor en la posición de encendido: ON (I).</li><li>3. Pruebe correctamente el voltaje de la fuente de alimentación.</li><li>4. Reemplácelo el cable de alimentación.</li><li>5. Lleve su pulverizador al Centro de servicios Autoriza.</li></ol>
B. No sale material del rociador.	<ol style="list-style-type: none"><li>1. El material está demasiado espeso.</li><li>2. La boquilla es demasiado pequeña para la densidad del material.</li><li>3. El rociador está tapado o sucio.</li></ol>	<ol style="list-style-type: none"><li>1. Diluya el material.</li><li>2. Cambie a un boquilla más grande o diluya el material.</li><li>3. Limpie completamente la rociadora.</li></ol>
C. La velocidad de aplicación es muy baja.	<ol style="list-style-type: none"><li>1. La boquilla es demasiado pequeña.</li><li>2. El rociador está tapado o sucio.</li><li>3. Falta la junta en forma de aro tórico de la turbina, o está dañada o sucia.</li></ol>	<ol style="list-style-type: none"><li>1. Cambie a un boquilla más grande.</li><li>2. Limpie completamente la rociadora.</li><li>3. Limpie o reemplácelo el forma de aro tórico.</li></ol>
D. Flujo intermitente o con pequeñas explosiones.	<ol style="list-style-type: none"><li>1. La pistola está vacía.</li><li>2. El rociador está tapado o sucio.</li></ol>	<ol style="list-style-type: none"><li>1. Rellene el tolva.</li><li>2. Limpie completamente la rociadora.</li></ol>
E. Rociado aglutinado.	<ol style="list-style-type: none"><li>1. El material no está lo suficientemente mezclado.</li></ol>	<ol style="list-style-type: none"><li>1. Mezcle el material.</li></ol>
F. Pérdida de material por la conexión de la pistola.	<ol style="list-style-type: none"><li>1. Falta la junta en forma de aro tórico de la tolva, o está dañada o sucia.</li></ol>	<ol style="list-style-type: none"><li>1. Limpie o reemplácelo el forma de aro tórico de la tolva.</li></ol>

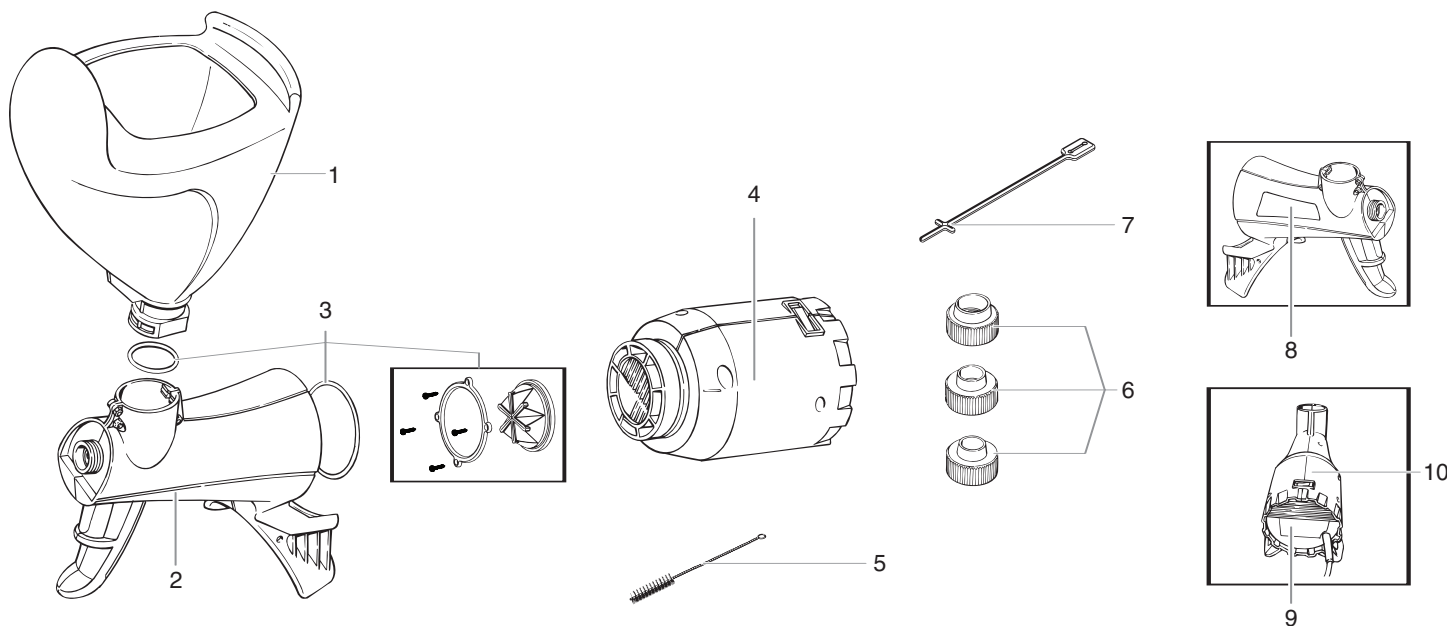
## GARANTÍA LIMITADA DE UN AÑO DE WAGNER - Conservar en Archivo

Este producto, fabricado por Wagner Spray Tech Corporation (Wagner), está garantizado ante todo defecto de materiales y fabricación durante un año a partir de la fecha de compra si dicho producto se hace funcionar en conformidad con las recomendaciones e instrucciones impresas de Wagner. Esta garantía no cubre los daños resultantes del uso incorrecto, accidentes, negligencia del usuario o desgaste normal del producto. Esta garantía no cubre defectos ni daños causados por el mantenimiento o la reparación realizada en cualquier lugar que no sea un Centro de Servicio Autorizado de Wagner.

LA DURACIÓN DE TODA GARANTÍA IMPLÍCITA DE COMERCIALIZACIÓN O IDONEIDAD PARA UN PROPÓSITO EN PARTICULAR SE LIMITA A UN AÑO A PARTIR DE LA FECHA DE COMPRA. ESTE PRODUCTO ESTÁ DISEÑADO ÚNICAMENTE PARA EL USO DOMÉSTICO. SI SE UTILIZA CON FINES COMERCIALES O DE ALQUILER, LA GARANTÍA TENDRÁ VALIDEZ SÓLO DURANTE 30 DÍAS A PARTIR DE LA FECHA DE COMPRA. WAGNER NO SERÁ RESPONSABLE BAJO NINGUNA CIRCUNSTANCIA DE LOS DAÑOS INCIDENTALES O SECUNDARIOS DE CUALQUIER CLASE POR INCUMPLIMIENTO DE ESTA GARANTÍA O POR CUALQUIER OTRO MOTIVO. ESTA GARANTÍA NO CUBRE LOS ACCESORIOS.

Si un producto presenta defectos de materiales o de fabricación durante el período de vigencia de la garantía, devuélvalo con el comprobante de compra, con el flete de transporte prepagado, a cualquier Centro de Servicio Autorizado de Wagner. (Con este producto se adjunta una lista de las direcciones de los Centros de Servicio.) El Centro de Servicio Autorizado de Wagner se encargará de la reparación o el reemplazo del producto (a criterio de Wagner) y se lo enviará, con el franqueo prepagado.

# Parts List • Liste de pièces • Lista de piezas



Item Article Artículo	Part No. N° de pièce Pieza No.	English - Description	Français - Description	Español - Descripción	Quantity Quantite Cantidad
1)	0520103	Hopper	Trémie	Tolva	1
2)	0520104	Sprayer	Pulvérisateur	Rociador	1
3)	0520102	Turbine valve and o-ring kit*	Nécessaire de soupape de turbine et joints toriques*	Juego de válvula de turbina y juntas de forma de aro tórico*	1
4)	0520105	Turbine	Turbine	Turbina	1
5)	0514209	Cleaning brush	Brosse de nettoyage	Cepillo de limpieza	1
6)	0520101	Nozzle kit***	Nécessaire de buses***	Juego de boquillas***	1
7)	0520324	Nozzle holder	Support de buse	Sujetador para boquillas	1
8)	0520801	Warning label	Étiquette d'avertissement	Etiqueta de advertencia	1
9)	0520802	Warning label	Étiquette d'avertissement	Etiqueta de advertencia	1
10)	0520805	Warning label	Étiquette d'avertissement	Etiqueta de advertencia	1
11)	9892550	Lubricant (not shown)	Lubrifiants (non montré)	Lubricante (no demostrado)	1

## English

\*O-rings are located on the connecting areas of the turbine and hopper.

\*\*\*Includes all three nozzles (small, medium, and large)

**All parts can be ordered by calling customer service at 1-800-328-8251.**

## Français

\*Les joints toriques sont situés sur les sections de raccordement de la turbine et de la trémie.

\*\*\*Inclut les trois buses (petite, moyenne et grosse).

**Toutes les pièces peuvent être commandées en appelant le service à la clientèle au 1 800 328-8251.**

## Español

\*Las juntas en forma de aro tórico se encuentran en las áreas de conexión de la turbina y la tolva.

\*\*\*Incluye las tres boquillas (pequeña, mediana y grande)

**Todas las partes se pueden ordenar llamando a la línea del servicio al cliente: 1-800-328-8251.**

## Replacing the turbine valve • Remplacement de la soupape de turbine • Reemplázelo la válvula de la turbina

- 1 Remove the four valve ring screws (a) with a screwdriver.  
Retirez les quatre vis d'anneau de soupape (a) avec un tournevis.  
Quite los cuatro tornillos del anillo de la válvula (a) con un destornillador.
- 2 Remove the valve ring (b) and the old valve (c).  
Retirez l'anneau de soupape (b) et la vieille soupape (c).  
Quite el anillo de la válvula (b) y la vieja válvula (c).
- 3 Replace with new valve. Replace valve ring and screws.  
Remplacez la nouvelle soupape. Remplacez l'anneau et les vis de soupape.  
Reemplázelo la válvula nueva. Reemplázelo el anillo de la válvula y los tornillos.

