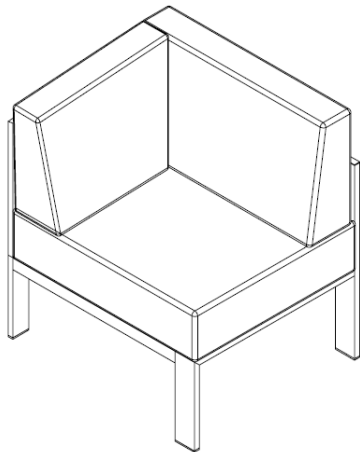


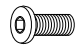
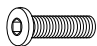

Thank you for purchasing the **MODWAY CORNER**!

Before you start, here is some helpful advice:

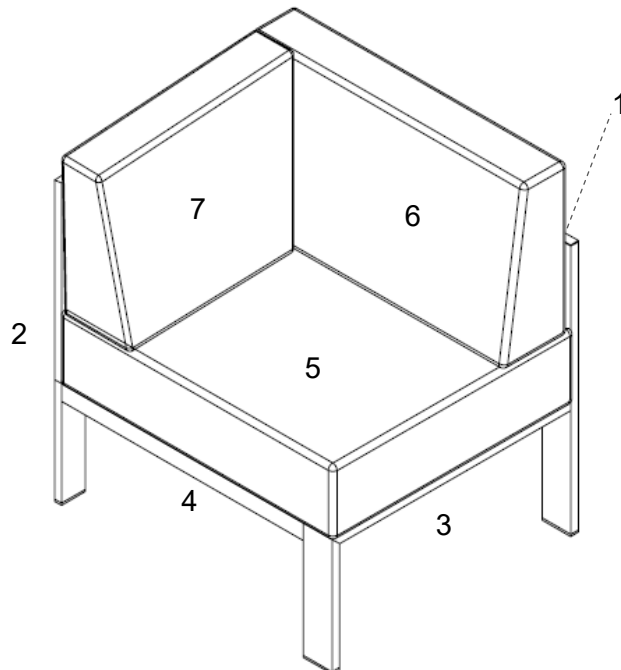
1. We suggest you spend a short time reading through this leaflet and then follow the simple step by step instructions.
2. Owing to the size and weight of the corner, we recommend that it is assembled by two adults, on a carpeted or padded area, in the room that it is intended for. Approx assembly time: 30 minutes.
3. Please do not use any tools other than those provided or recommended in these instructions.
4. Please do not throw away any of the packaging or the instruction until you have checked all the components and hardware and the furniture is fully assembled. Please ensure that the packaging is disposed of in a safe environmentally friendly way.
5. Assemble all components loosely until advised to tighten. Depending on use, it may be necessary to tighten the components from time to time, so please save the tools that has been provided.
6. Please keep all fitting out of reach of children.



Hardware:

- | | | | |
|---|--|-----------------|----|
| A |  | Bolt M6x20mm | x4 |
| B |  | Bolt M6x25mm | x6 |
| C |  | Allen Wrench M4 | x1 |

Component:



| | | | | | | | | | | | |
|---|----------|--------------|----|----------|----|--------------|-----------|----|---|--------------|----|
| 1 | Top Rail | x1 | 2 | Left Leg | x1 | 3 | Right Leg | x1 | 4 | Seat Frame | x1 |
| | 5 | Seat Cushion | x1 | | 6 | Back Cushion | x1 | | 7 | Side Cushion | x1 |

STEP 1:

Remove the plastic covers which pre-install in the end of the **Seat Frame (4)** by using **Allen Wrench (C)**.

Please put **left Leg (2)** on a carpeted or padded area.

Insert **Top Rail (1)** and **Seat Frame (4)** into **Left Leg (2)** as shown.

Insert 3 pieces of **Bolt (B)** from the pre-drilled holes on the bottom of the **Top Rail (1)** and **Seat Frame (4)** into each side on the bottom of **Left Leg (2)**.

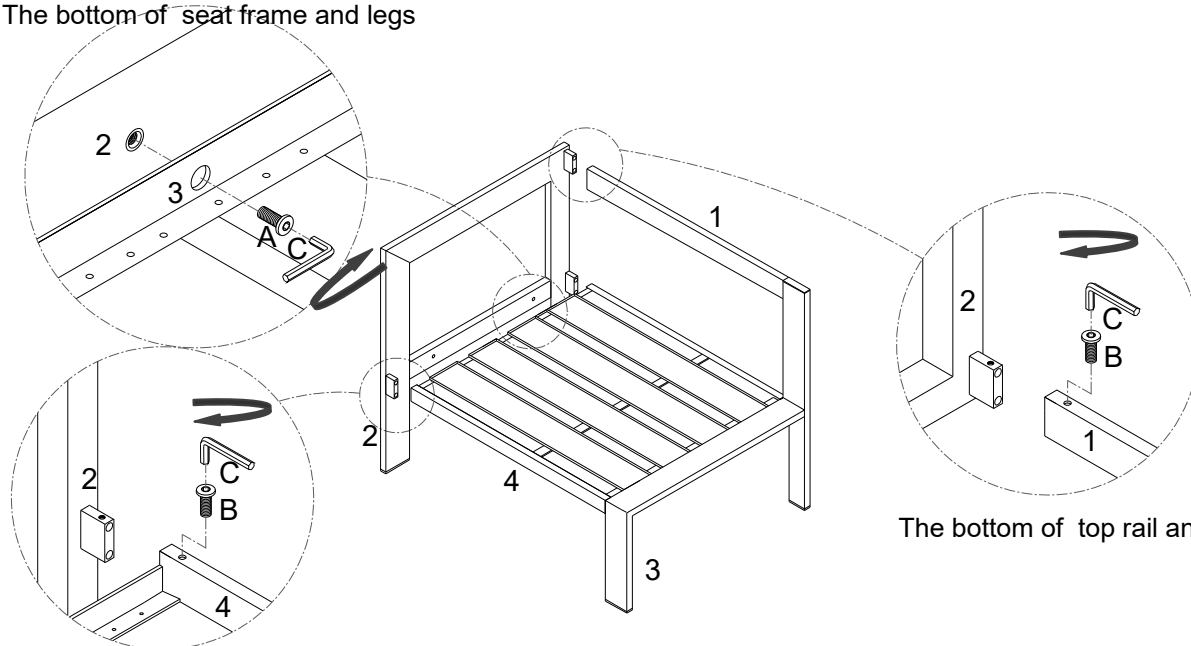
Insert 2 pieces of **Bolt (A)** from the pre-drilled holes on the side rail of the **Seat Frame (4)** into each end of **Left Leg (2)** as shown.

Do not fully tighten **Bolt (A&B)** at this step.

Repeat the same steps for **Right Leg (3)**.


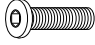

After checking the leveling for all connections, please use **Allen Wrench (C)** to tighten all **Bolts (A&B)** clockwise until secure.

The bottom of seat frame and legs



The bottom of top rail and legs

The bottom of seat frame and legs

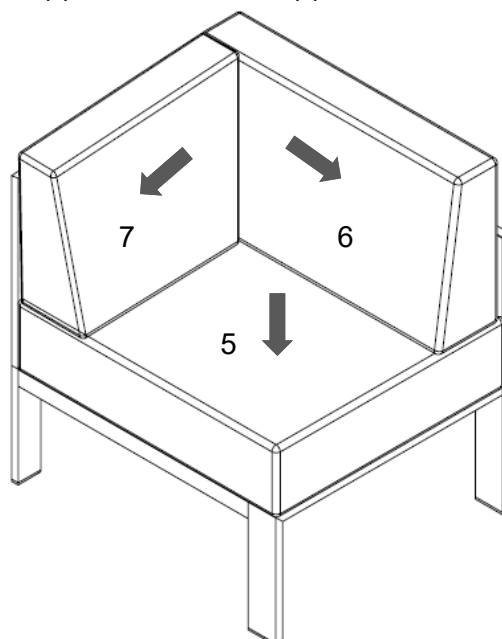
| | | |
|---|---|---|
|  |  |  |
| Ax4 | Bx6 | Cx1 |

Hardware & Tool required

STEP 2:

Carefully place the assembled corner at your desired position.

Put the **Seat Cushion (5)**, **Back Cushion (6)**, and **Side Cushion (7)** to assembled corner frame as shown.



Assembly is completed. The corner is ready to enjoy now!