

# Item # : BR6DLYDDR

## Assembly Instructions



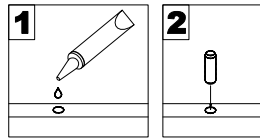
Please visit our website for the most current instructions, assembly tips, to report damage or request parts. [www.walkerredson.com](http://www.walkerredson.com)

Revised 10/2019

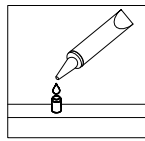
Copyright © 2018, by Walker Edison Furniture Co., LLC, All rights reserved.

# General Assembly Guidelines

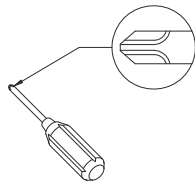
- I. Ensure that all parts and hardware are available before beginning assembly.
- II. Follow each step carefully to ensure the proper assembly of this product.
- III. Two people are recommended for ease in the assembly of this product.
- IV. The three main types of hardware used to assemble this product are wood dowels, screws and bolts.
- V. The provided glue is to secure wood dowels in place . When first inserting dowels , locate the appropriate hole for the dowel , place a small amount of glue in the hole and insert the dowel . Wipe away excess glue immediately.



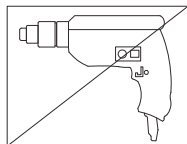
In future assembly steps when dowels are necessary to attach assembly parts together , place a small amount of glue on the end of the dowel before attaching parts together . Wipe away excess glue immediately.



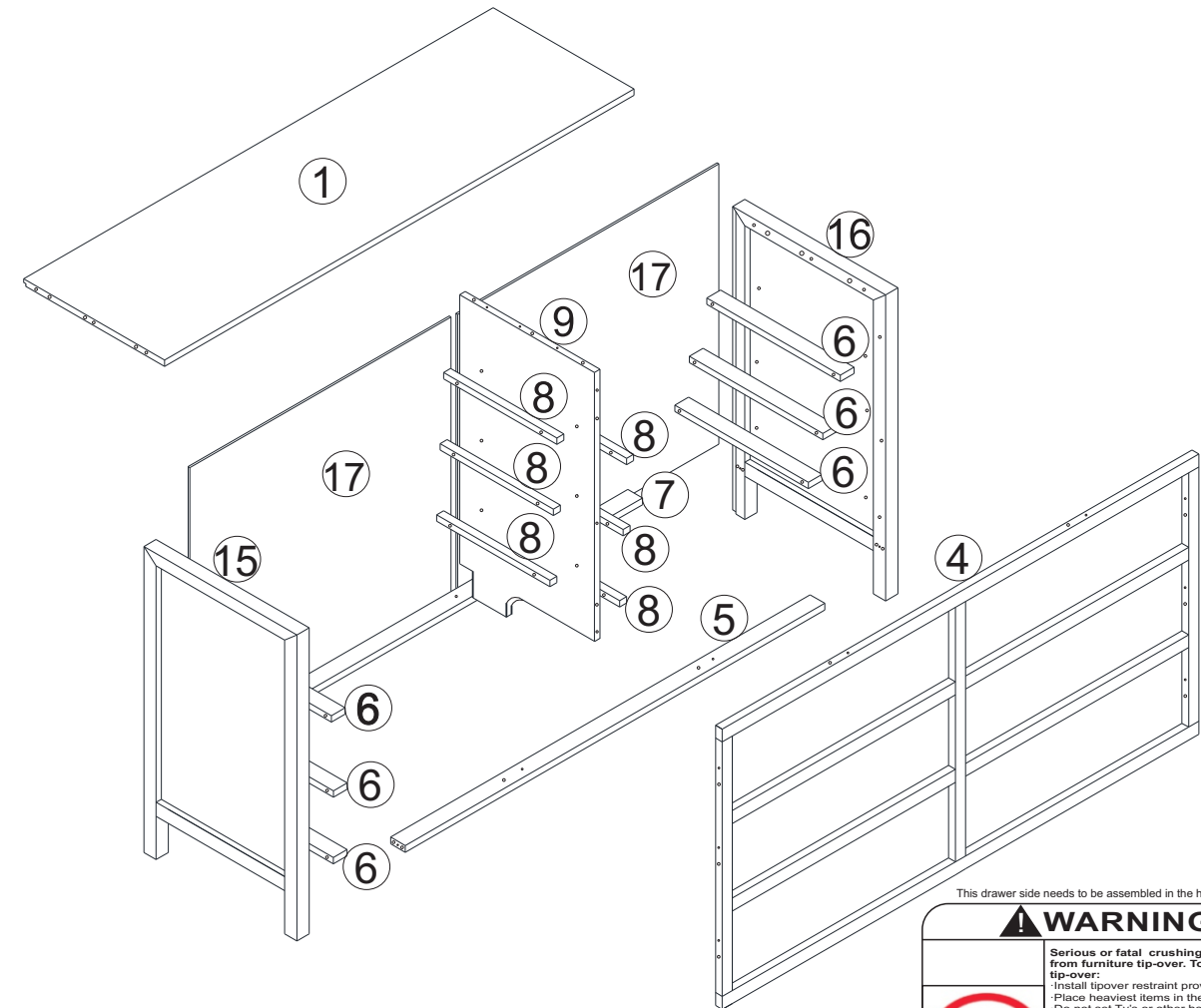
- VI. A Phillips head screwdriver is required for the assembly of this product.



- VII. Power tools should not be used to assemble this product.



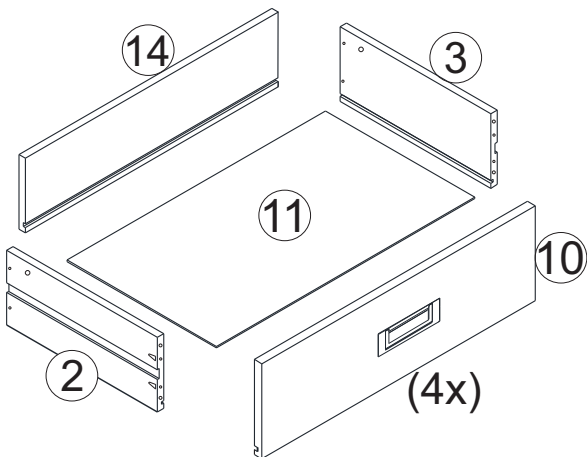
# Parts List



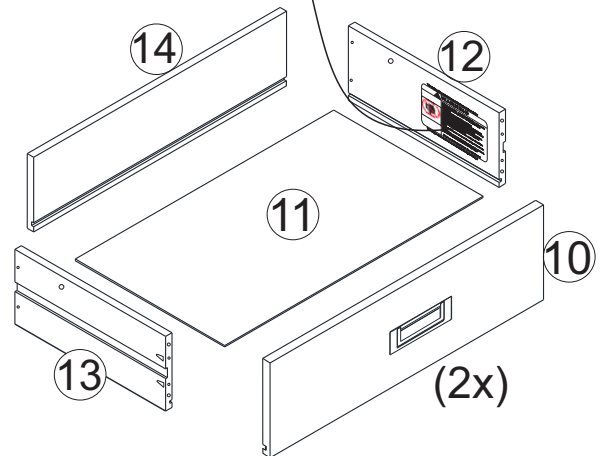
This drawer side needs to be assembled in the highest drawer

	<b>WARNING</b>
	<p><b>Serious or fatal crushing injuries can occur from furniture tip-over. To help prevent tip-over:</b></p> <ul style="list-style-type: none"> <li>-Install tipover restraint provided.</li> <li>-Place heaviest items in the lowest drawers.</li> <li>-Do not set TVs or other heavy objects on top of this product, unless the product is specifically designed to accommodate them.</li> <li>-Never allow children to climb or hang on drawers, doors, or shelves.</li> <li>-Never open more than one drawer at a time. (OR)</li> <li>-Do not defeat or remove the drawer interlock system.</li> <li>-Use of tip-over restraints may only reduce, but not eliminate, the risk of tip-over.</li> </ul> <p style="text-align: right; font-size: small;">This is a permanent label. Do not remove!</p>

This drawer side needs to be assembled in the highest drawer

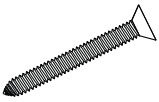

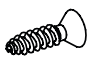
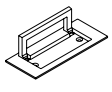





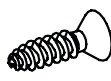

(4x)

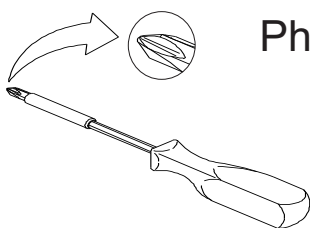


(2x)

# Hardware List

A		Ø8,0 x 30mm	Wood Dowel	78x
B		Ø4,0 x 40mm	Screw	24x
C		Ø4,0 x 30mm	Screw	70x
D		Ø14 x 14mm	Cam Lock	6x
E		Ø3,0 x 12mm	Screw	12x
F		96 x 40mm	Puller	6x
G		Ø8,0 x 40mm	Wood Dowel	6x
H		Ø10 x 10mm	Nail	40x
I		Ø5,5 x 28mm	Screw	6x

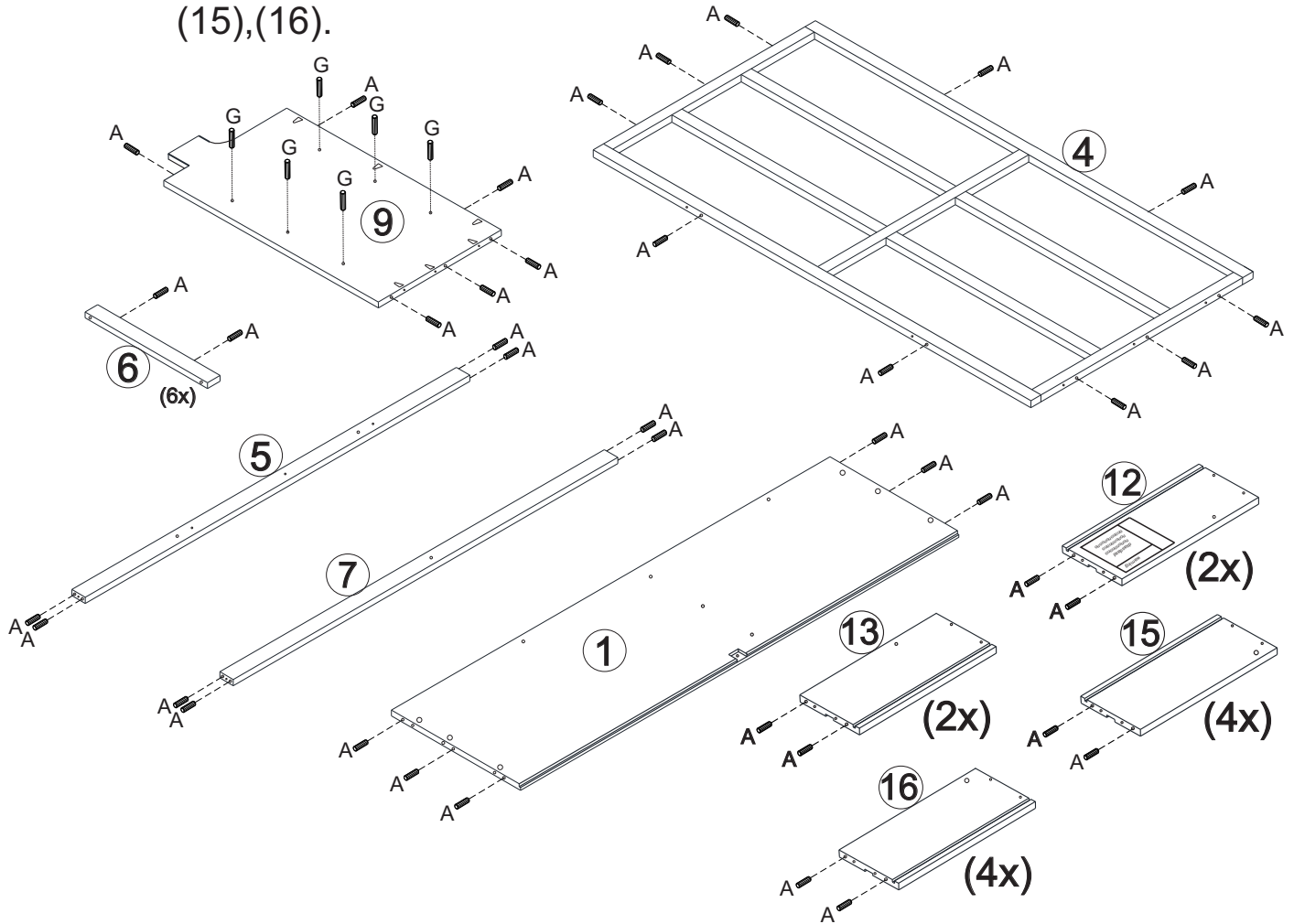
J			Ribbon	1x
K			Washer	2x
L		Ø3,5 x 14mm	Screw	1x
M				1x



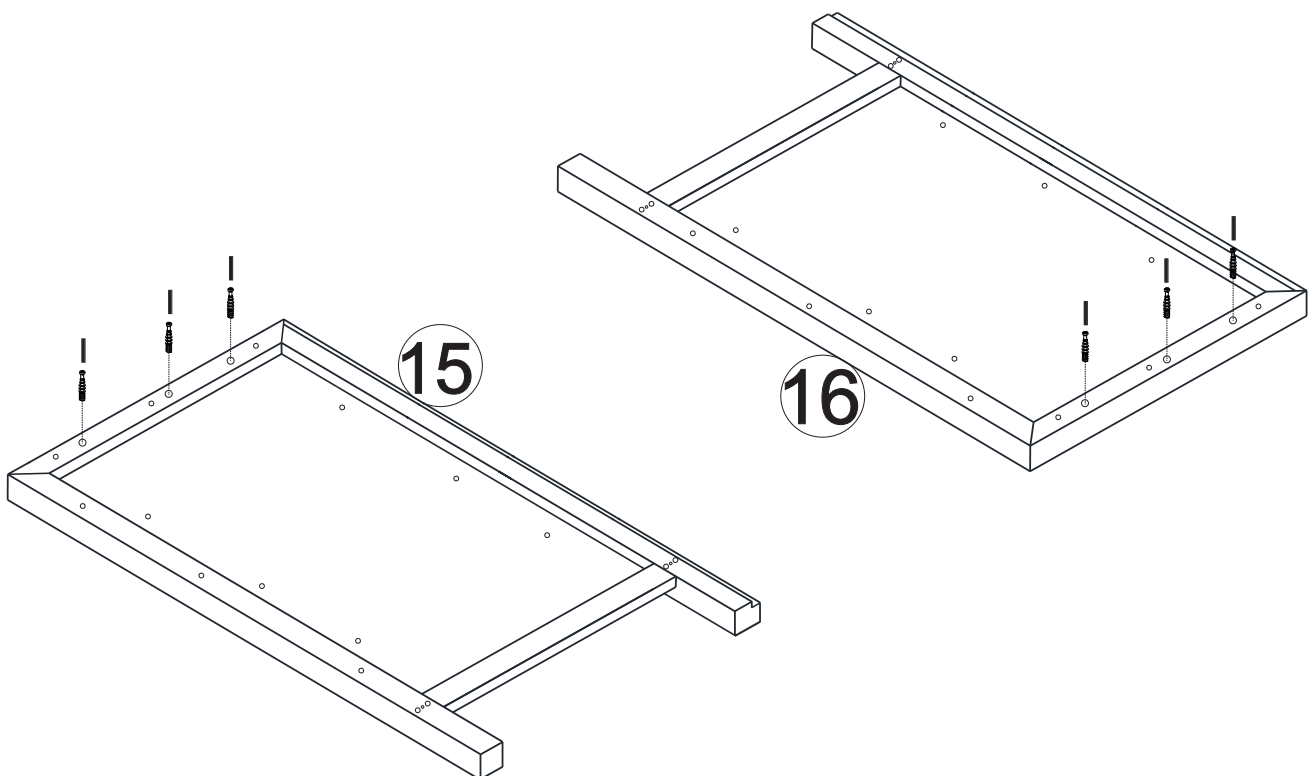
Philips head screwdriver required for assembly  
(not included)

The hardware quantities listed above are required for proper assembly  
Some extra hardware may also have been included

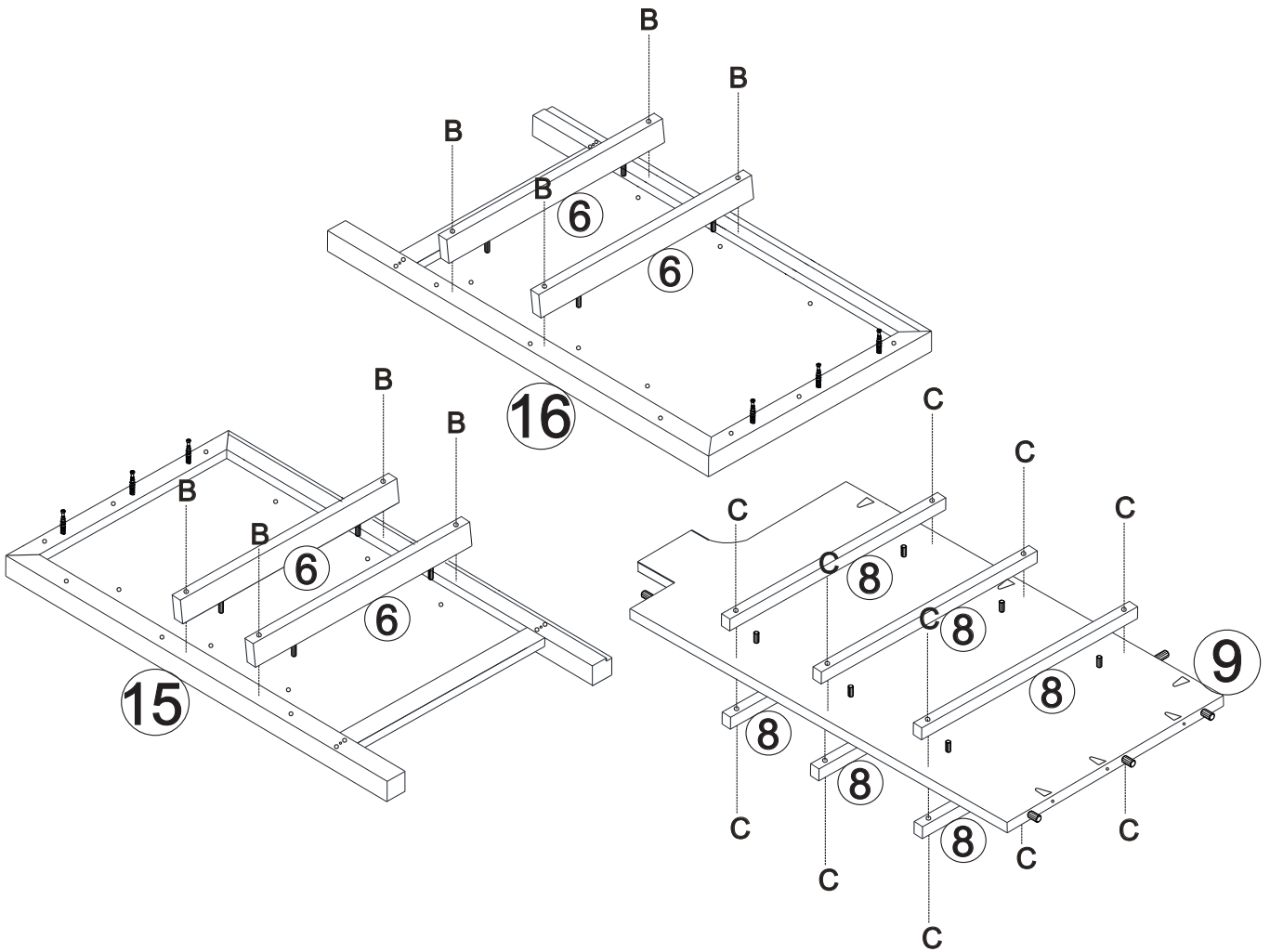
**Step 1** Insert wood dowel A (x66) into parts (1),(4),(5),(6),(7),(9),(12),(13), (15),(16).



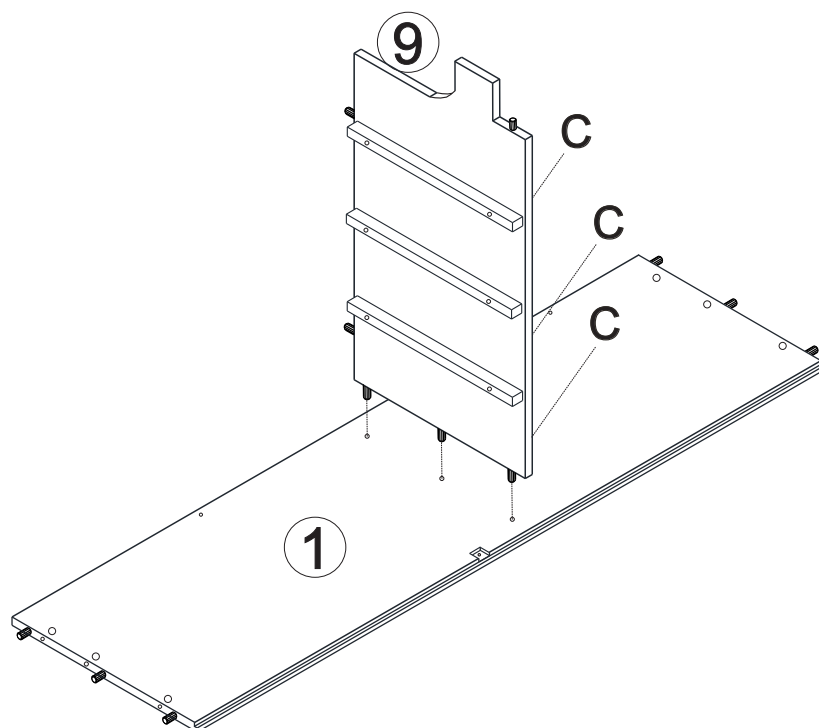
**Step 2** Insert Cam Lock I (x6) into parts (2),(3).



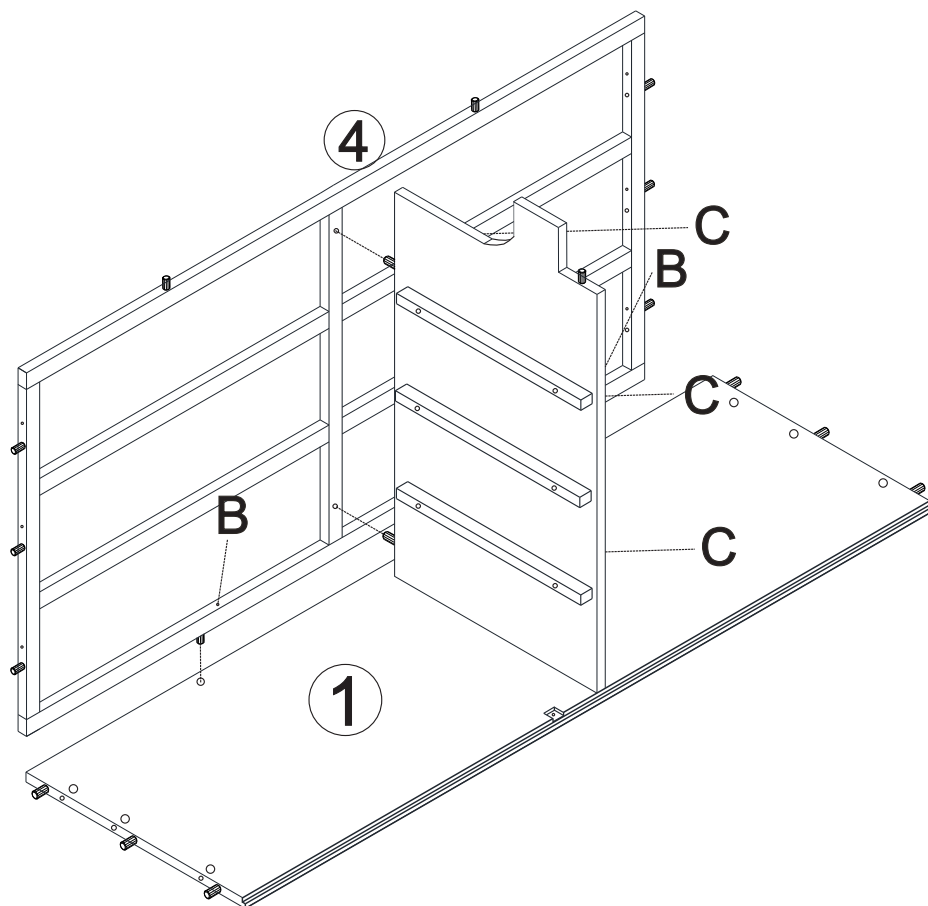
Step 3 Insert screw B (x8) C (12) into parts (2),(3),(9),(6),(8).



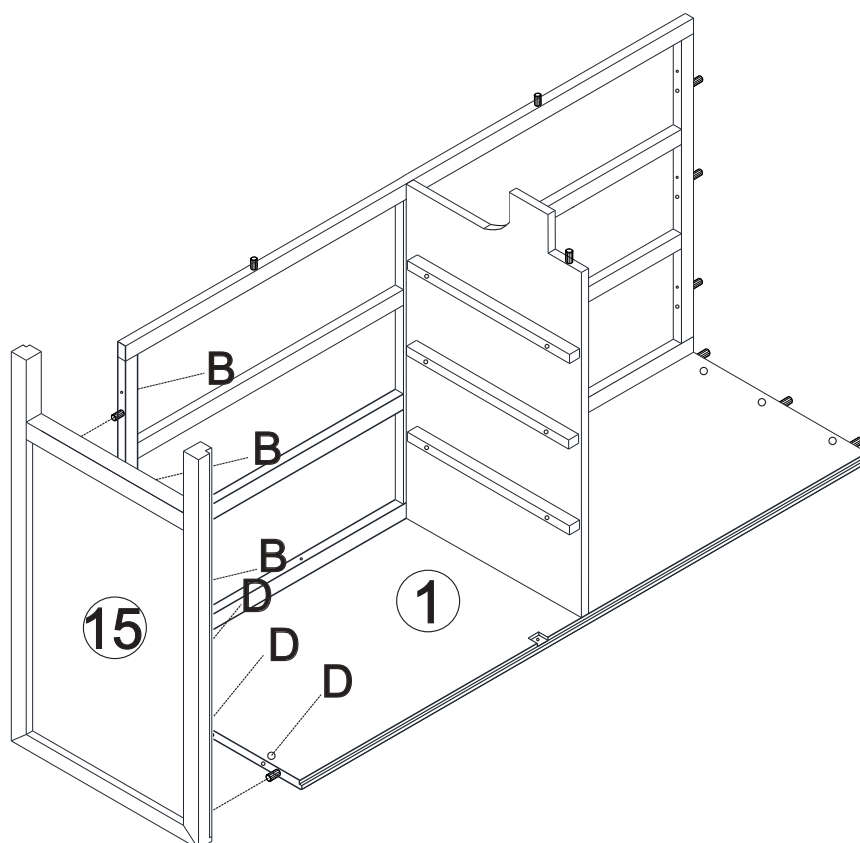
Step 4 Insert screw C (x3) into parts (9).



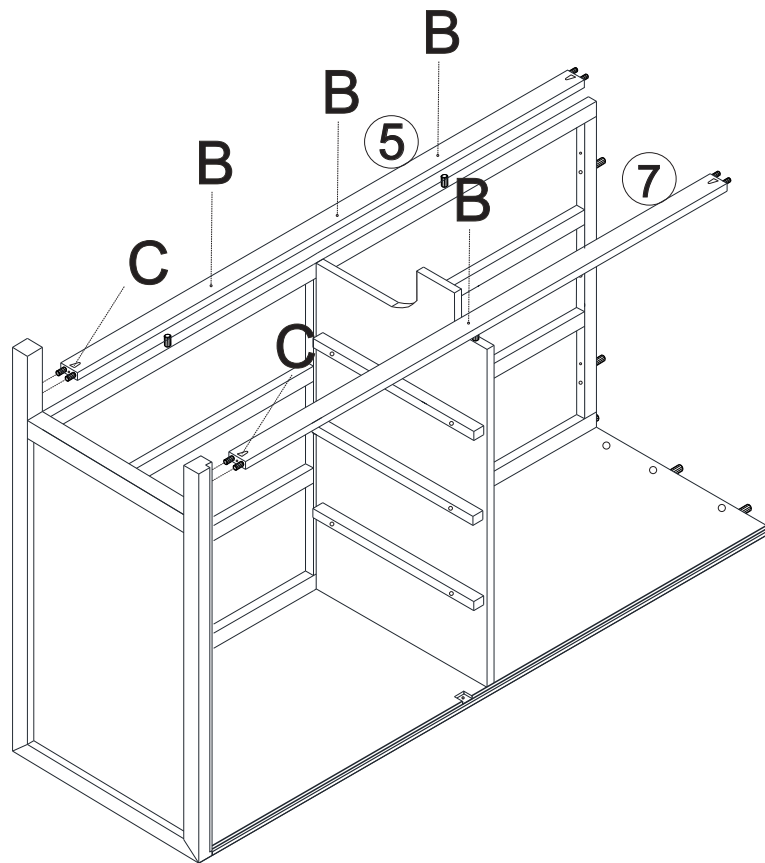
**Step 5** Insert screw B (x2) C (x3) into parts (4),(1).



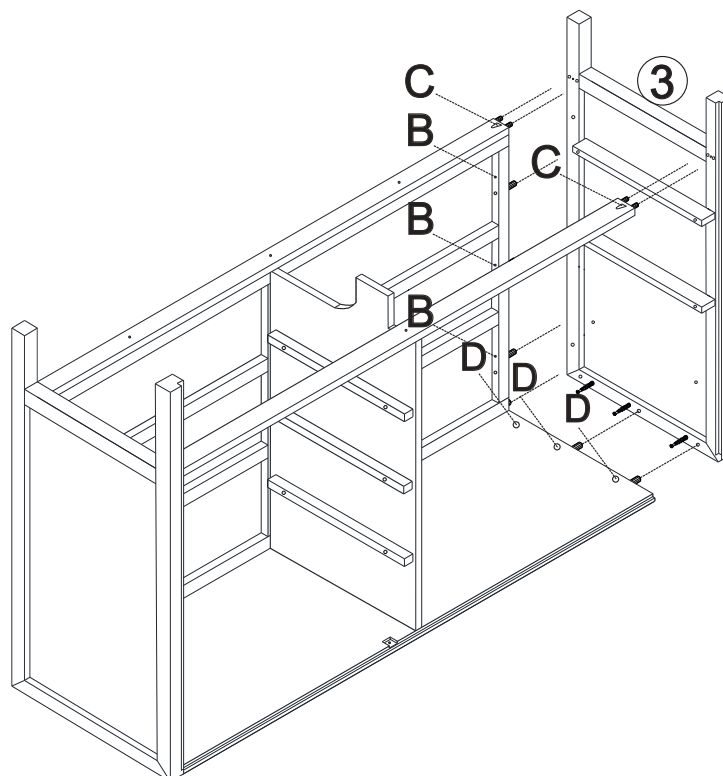
**Step 6** Insert screw B (x3) Cam lock D (x3) into parts (2),(1).



Step 7 Insert screw B (x4), C (x2) into parts (5),(7).

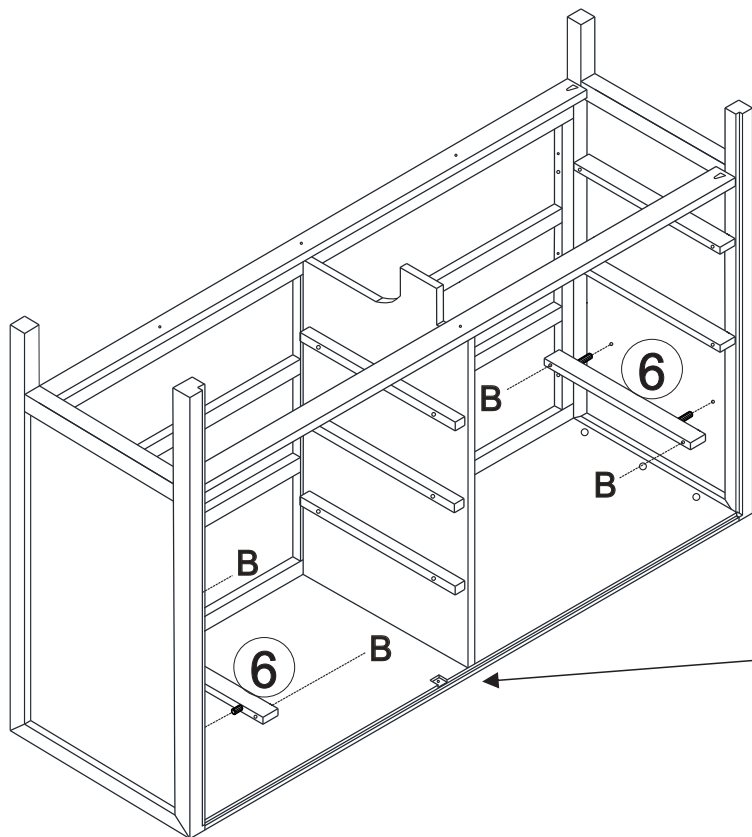


Step 8 Insert screw B (x3), C (X2) Cam lock D (x3) into parts (3).

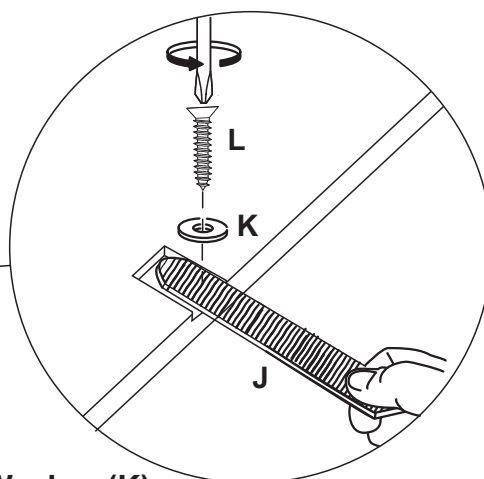




**Step 9** Insert screw B (x4) into parts (6).

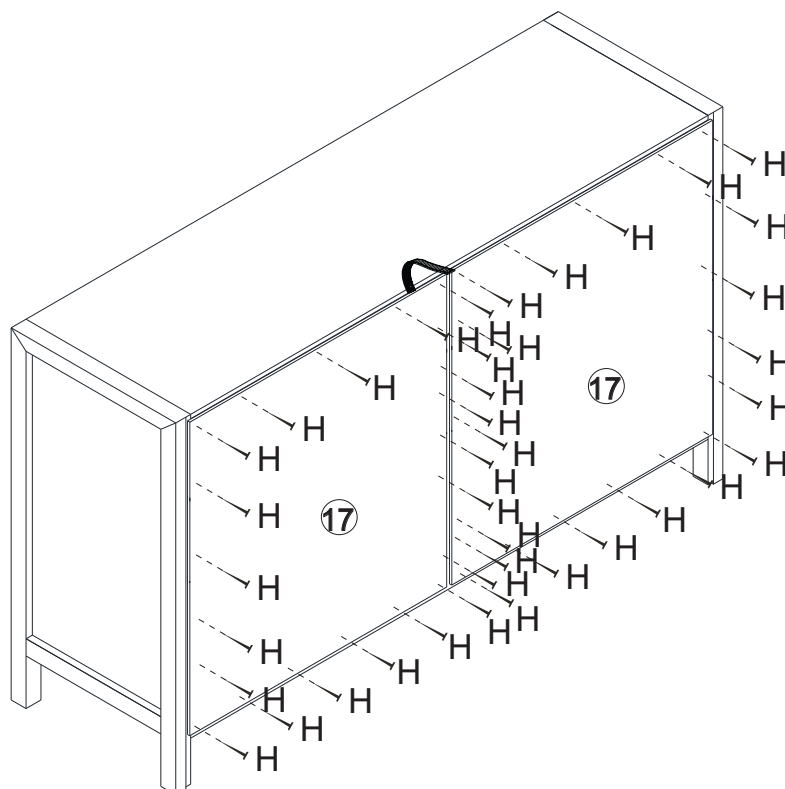


J		1x
K		2x
L	$\varnothing 3,5 \times 14\text{mm}$	1x

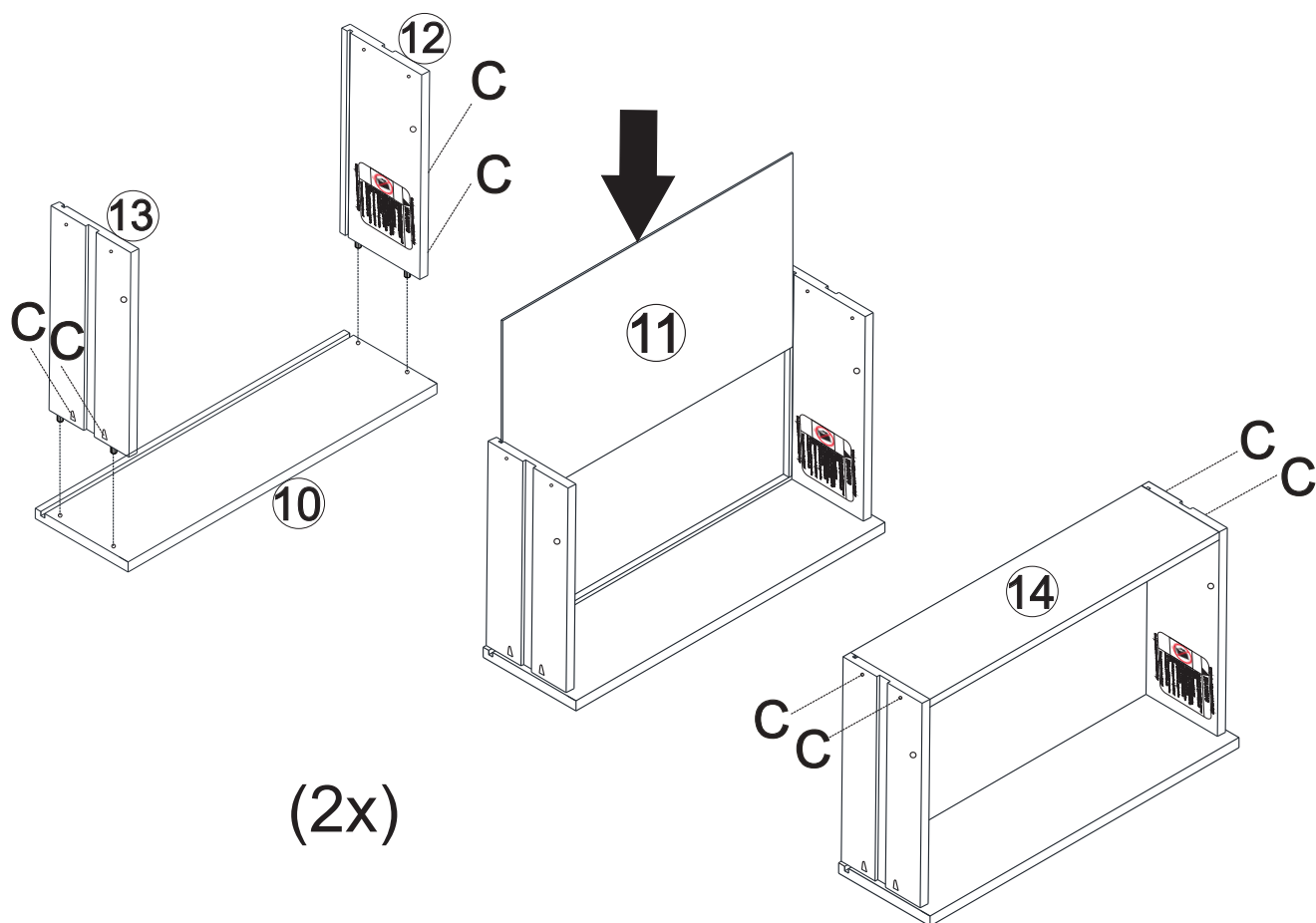


**Attach part (J) with Screw (L) and Washer (K) inside of superior panel unit.**

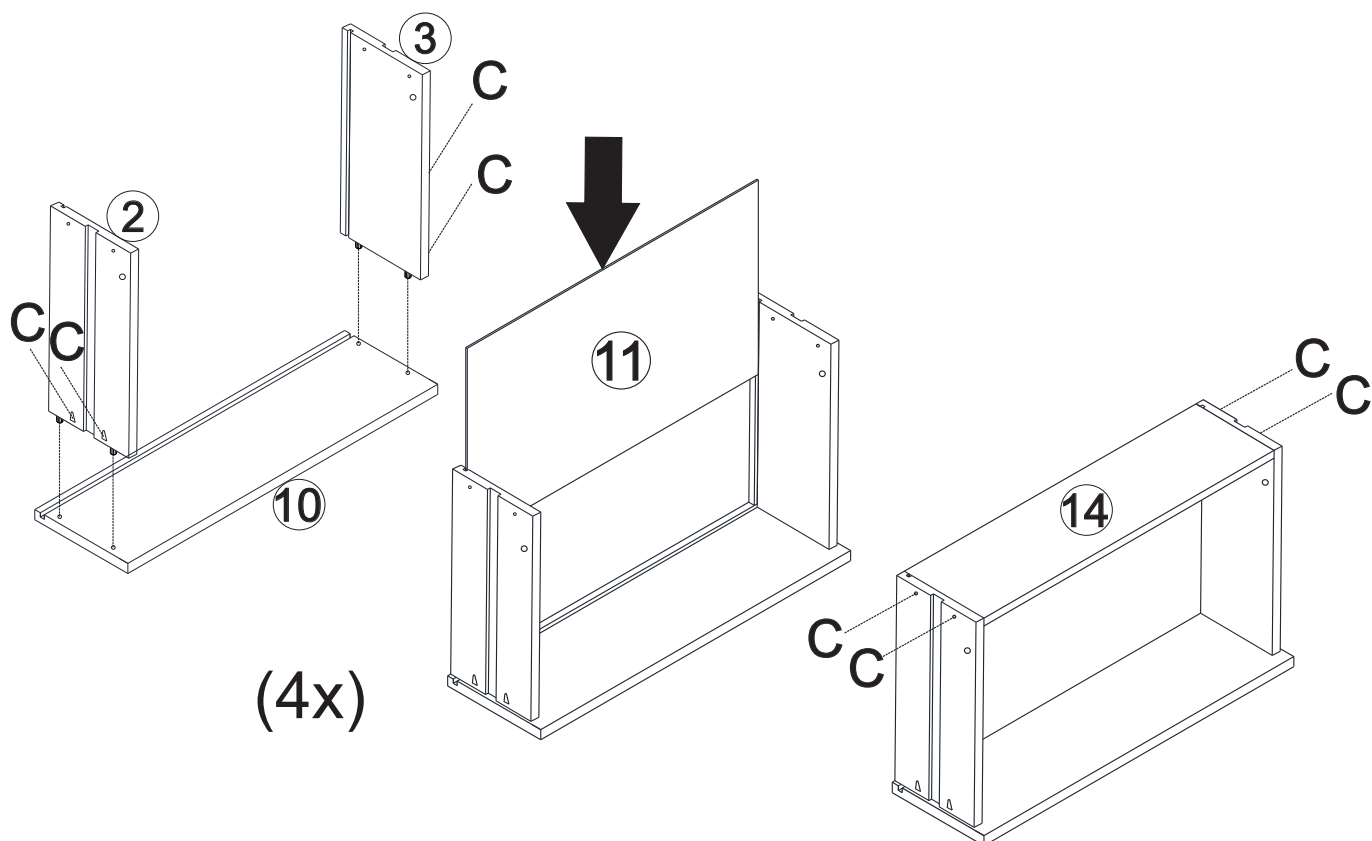
**Step 10** Let the Ribbon (J) to outside and Insert Nail H (x40) into parts (17).



Step 11 Insert screw C (x16) into parts (12),(13),(14).



Step 12 Insert screw C (x32) into parts (15),(16),(14).

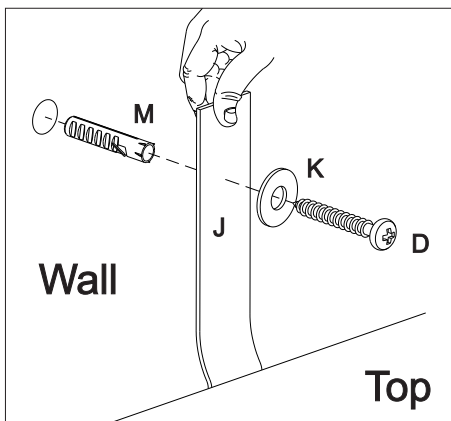


## Step 13

# WARNING

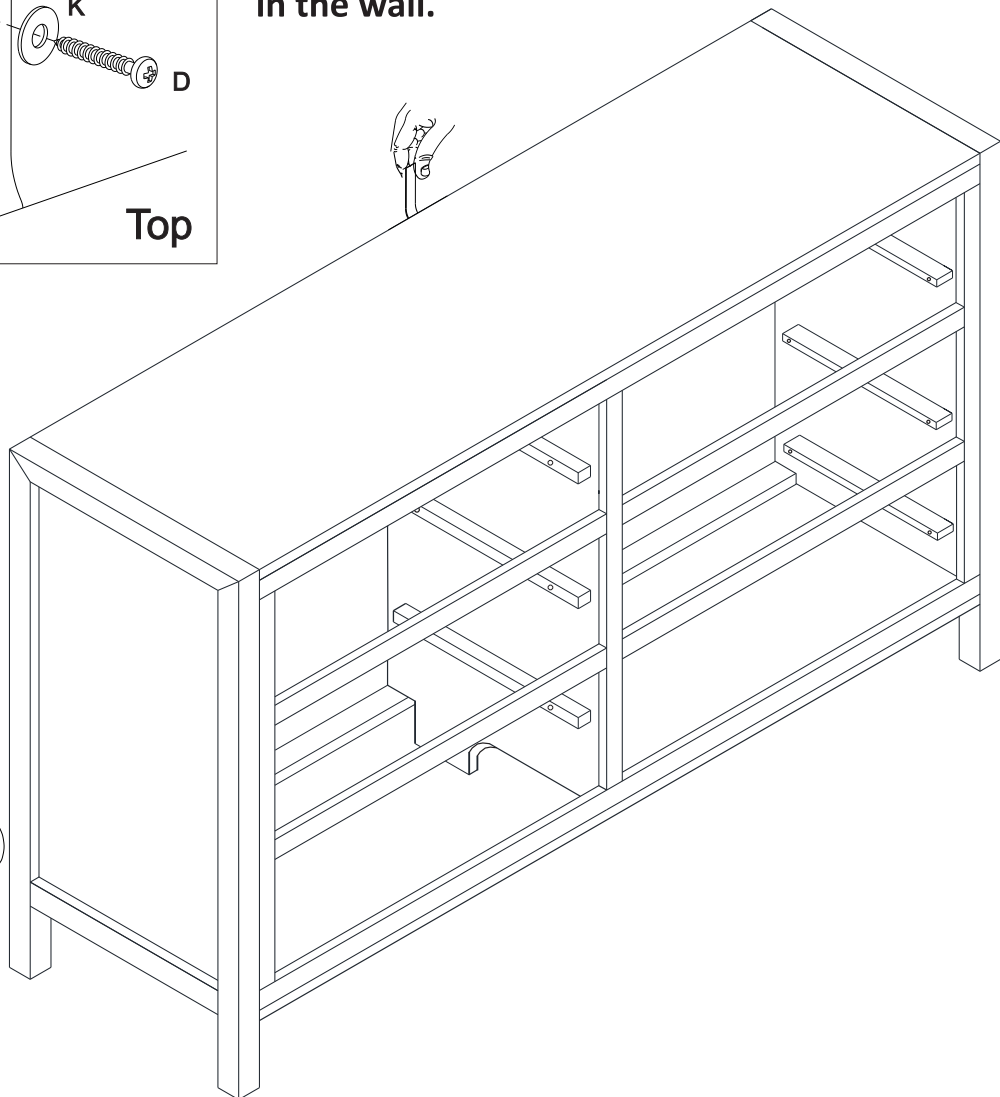
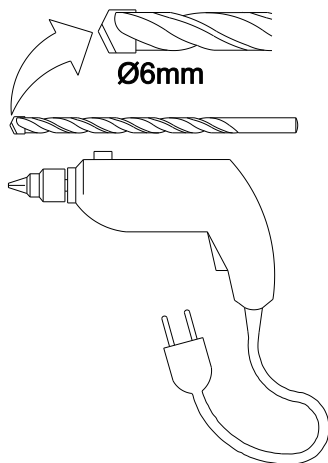
**Serious or fatal injuries can occur from furniture tipping over. To prevent the furniture from tipping over we recommend that it is permanently fixed to the wall.**

**Wall anchor and hardware are included with this product. Please make sure hardware is suitable for your walls before installing, as different wall materials may require different types of anchors.**



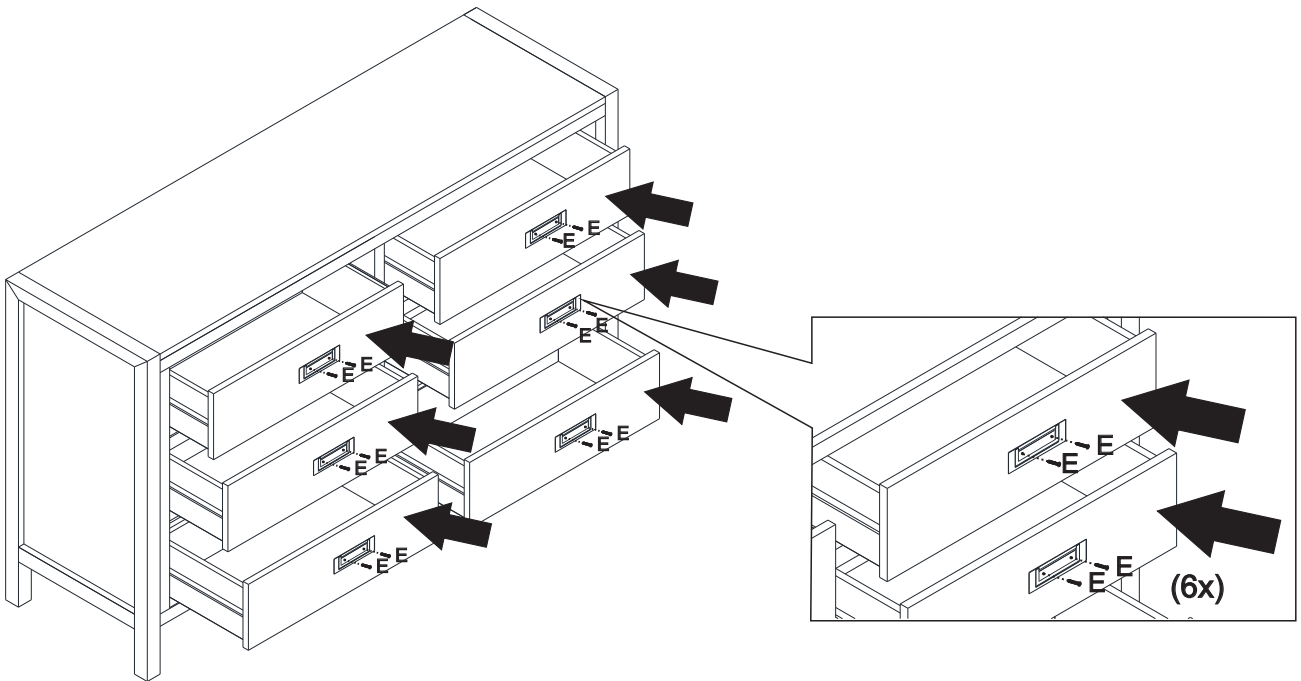
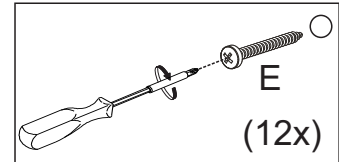
With drilling machine make one hole in the wall, Insert part (M) in the hole.

Secure part (K) with Screw (D) and Washer (L), in the wall.



**CHECK FOR HIDDEN PIPES AND CABLES BEFORE DRILLING**

Step 15 Use screw E (x12) to attach Puller F (x6) to the drawers.



Final Assembly