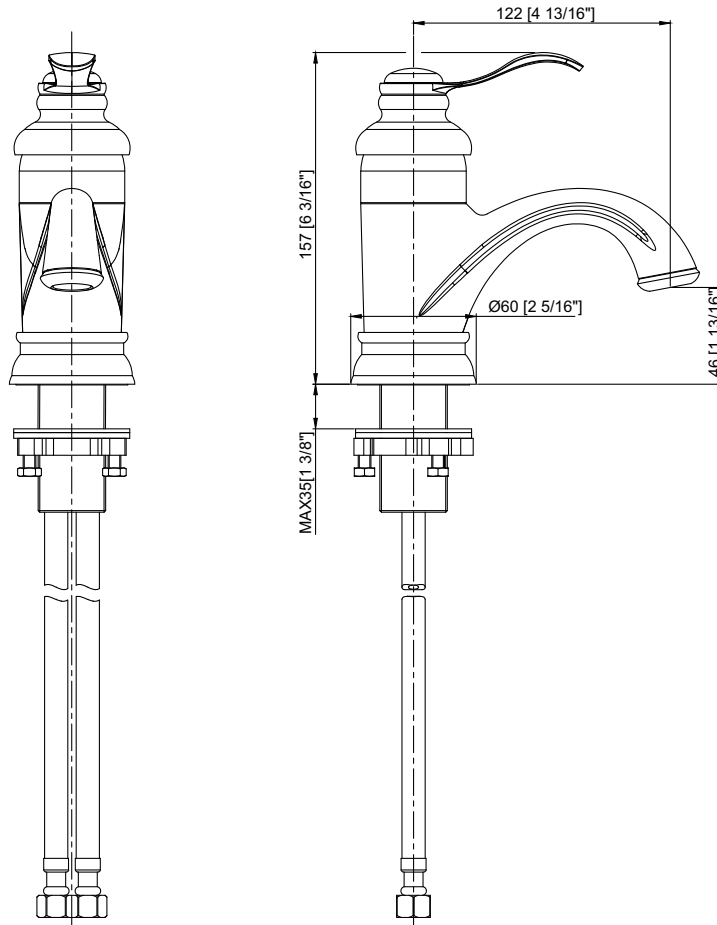




Single-handle Bathroom Sink Faucet

81H04S-***



Technical Information

All product dimensions are nominal.

Valve body: Lead free brass

Drain included: NO

Spout

Spout Length: 4-13/16"

Spout Height: 1-13/16"

Faucet

Flow rate: 1.5 gal/min (5.7 l/min)

Pressure: 60 psi (4.1 bar)

Installation Information

Install this product according to the installation instructions.

Faucet Lifetime Limited Warranty

See website for detailed warranty information.





Single-handle Bathroom Sink Faucet

81H04S-***

Features

- Single lever handle allows for both on/off activation,
- Ceramic disc valves exceed industry longevity standards for a lifetime of durable performance.
- 1.5 gal/min (5.7 l/min) maximum flow rate [max at 60 psi (4.1 bar)]
- Red/blue indexing on handle.
- Flexible supplies for simplified installation.

Material

- Premium metal construction.
- Finishing resists corrosion and tarnishing.



Installation

- Single-hole.



NSF/ANSI 61



Codes/Standards

- CUPC (ASME A112.18.1-2012/CSA B125.1-12)
- NSF/ANSI 61
- NSF/ANSI 372
- All applicable US Federal and State material regulations
- EPA WaterSense®
- CEC (California Energy Commission)

Available Color/Finishes

Intended for reference only.

Color	Code	Description
	CHR	Chrome
	BN	Brush Nickel
	ORB	Oil Rubbed Bronze
	MB	Matte Black

Italia Faucets, Inc.
 2505 Anthem Village Dr, Suite E-240
 Henderson, NV 89052
 (877) 482-5422
 For the most current Specification Sheet, go to : www.italiafaucets.com

