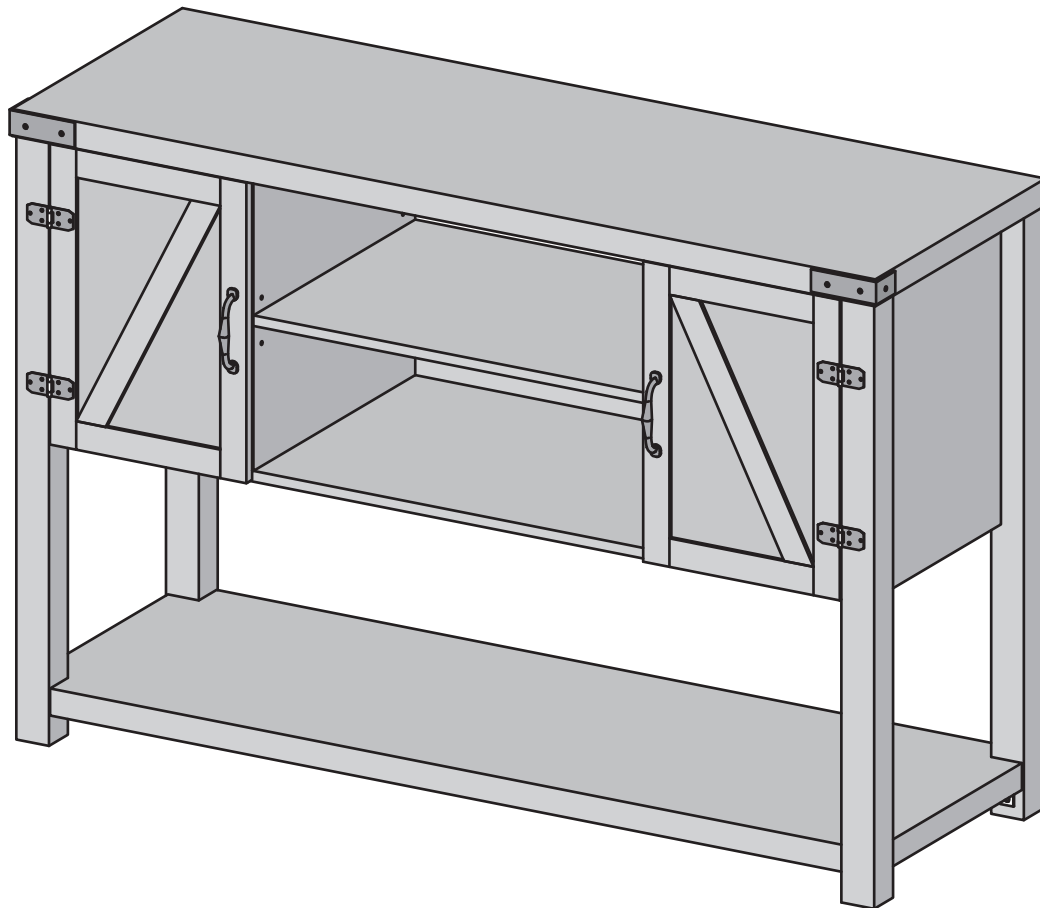


**W** Walker<sup>®</sup>  
Edison  
furniture company

Item # : W52BD4C  
Assembly Instructions

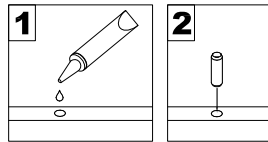


*Please visit our website for the most current instructions, assembly tips, report damage, or request parts. [www.walkeredison.com](http://www.walkeredison.com)*

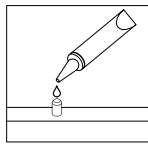
Revised 03/2017

# General Assembly Guidelines

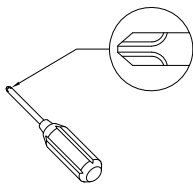
- I. Ensure that all parts and hardware are available before beginning assembly.
- II. Follow each step carefully to ensure the proper assembly of this product.
- III. Two people are recommended for ease in the assembly of this product.
- IV. The three main types of hardware used to assemble this product are : wood dowels , screws and bolts.
- V. The provided glue is to secure wood dowels in place . When first inserting dowels , locate the appropriate hole for the dowel , place a small amount of glue in the hole and insert the dowel . Wipe away excess glue immediately.



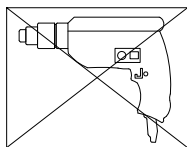
In future assembly steps when dowels are necessary to attach assembly parts together , place a small amount of glue on the end of the dowel before attaching parts together . Wipe away excess glue immediately.



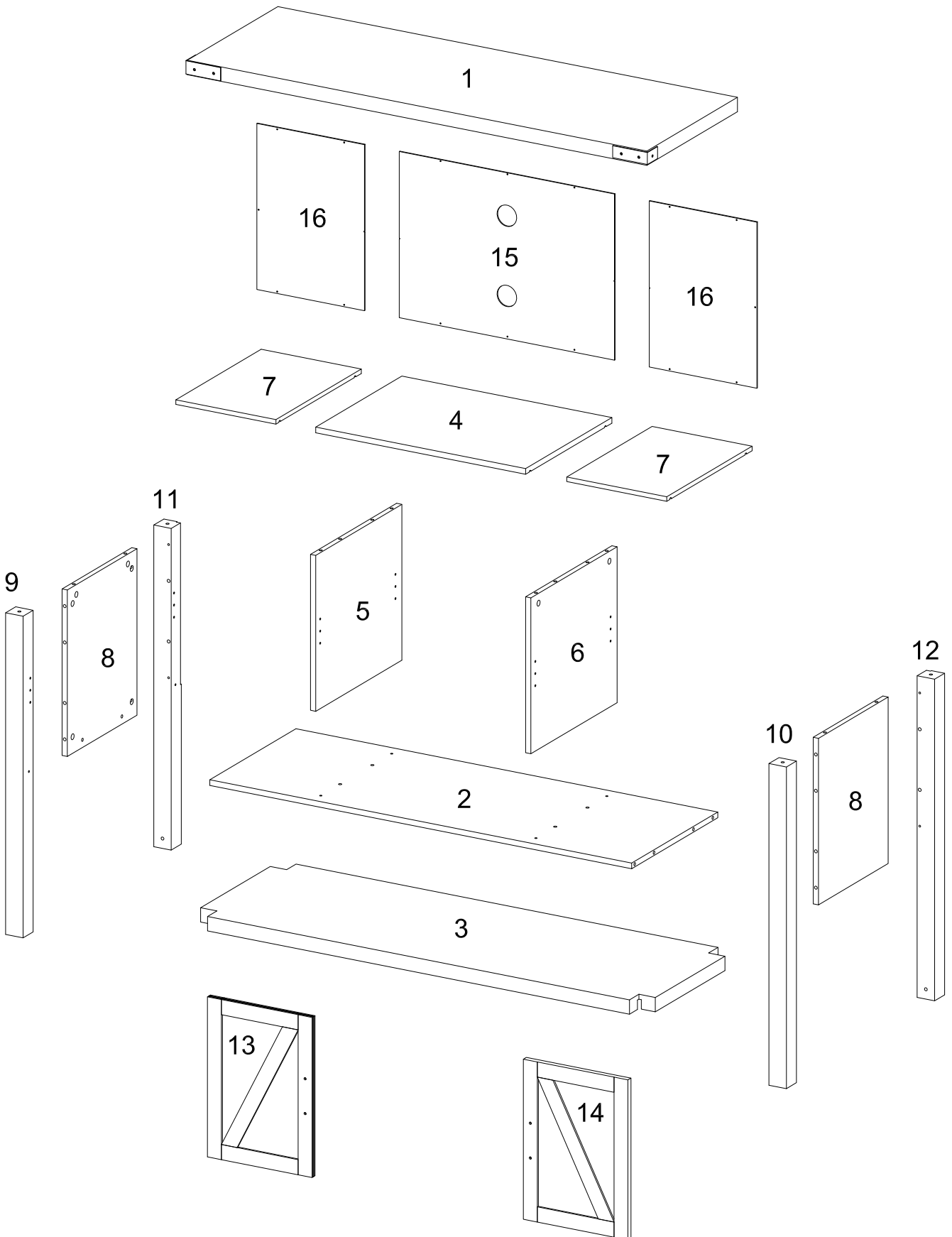
- VI. A Phillips head screwdriver is required for the assembly of this product .




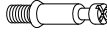


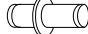
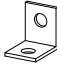


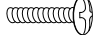



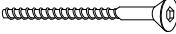

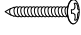
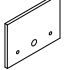
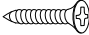


- VII. Power tools should not be used to assemble this product .

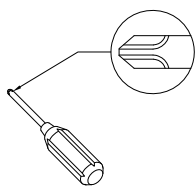


# Parts List



# Hardware List

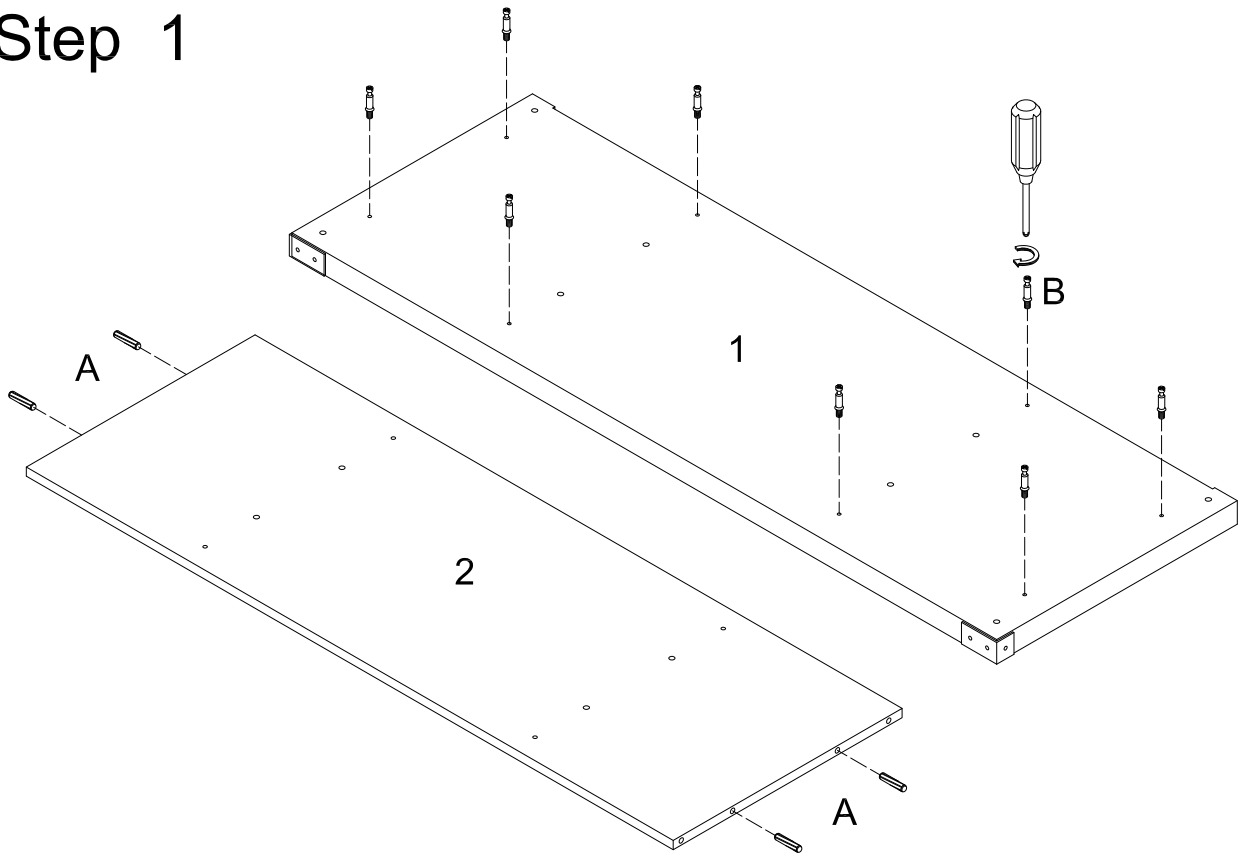
|   |   |          |                   |        |
|---|---|----------|-------------------|--------|
| A |    | Ø8x30mm  | Wooden dowel      | 24 pcs |
| B |    | Ø6x35mm  | Cam bolt          | 20 pcs |
| C |    | Ø15x11mm | Cam lock          | 20 pcs |
| D |    | Ø3x12mm  | Screw             | 18 pcs |
| E |    |          | Shelf support pin | 12 pcs |
| F |    |          | Iron angle        | 4 pcs  |
| G |    |          | Bolt              | 8 pcs  |
| H |    |          | Handle            | 2 pcs  |
| J |    | Ø4x22mm  | Bolt              | 4 pcs  |
| K |    |          | Hinge             | 4 pcs  |
| L |  | Ø3x12mm  | Screw             | 24 pcs |
| M |  |          | Sticker           | 20 pcs |
| N |  | Ø6x50mm  | Screw             | 4 pcs  |
| P |  |          | Door stopper      | 2 pcs  |
| Q |  | Ø3x15mm  | Screw             | 4 pcs  |
| R |  | 30x20mm  | Metal piece       | 2 pcs  |
| S |  | Ø3x12mm  | Screw             | 2 pcs  |
| U |  | Ø4mm     | Wrench            | 1 pc   |
| V |  |          | Glue tube         | 1 pc   |



Philips head screwdriver required for assembly  
(not included)

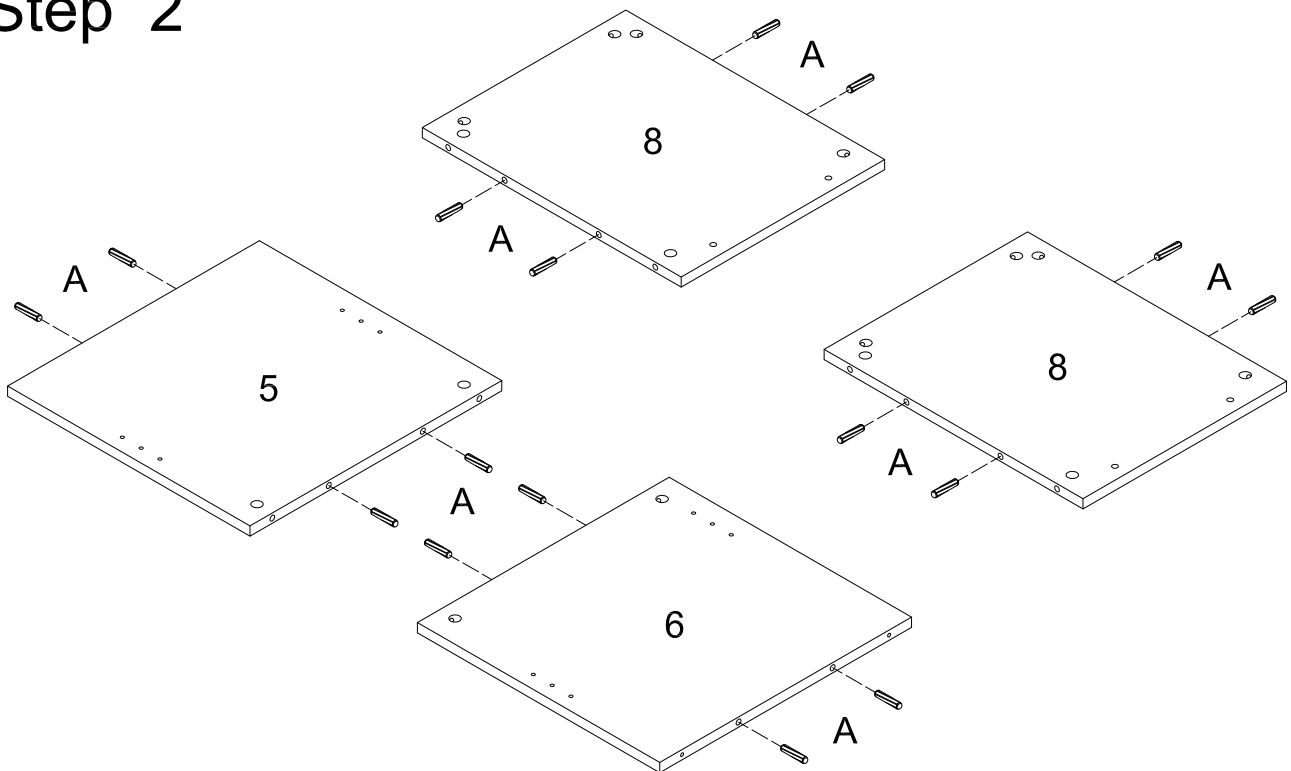
*The hardware quantities listed above are required for proper assembly.  
Some extra hardware may also have been included.*

# Step 1



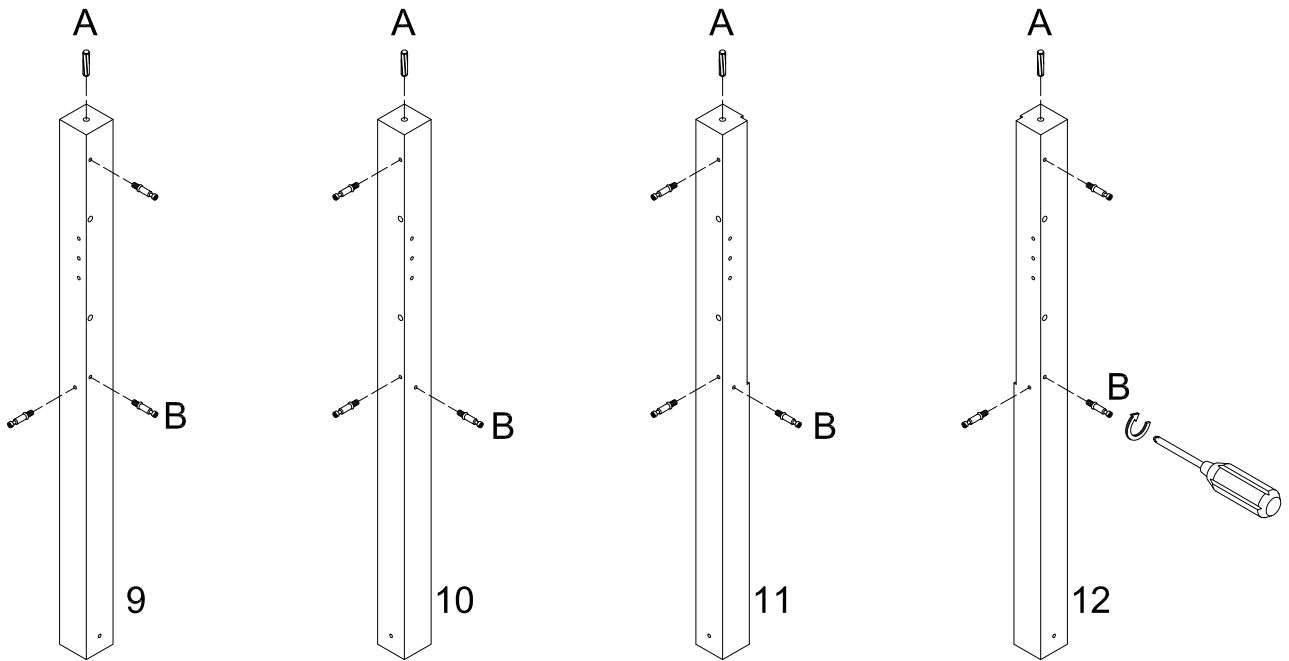
Attach cam bolts (B) to parts (1). Insert wooden dowels (A) into parts (2).

# Step 2



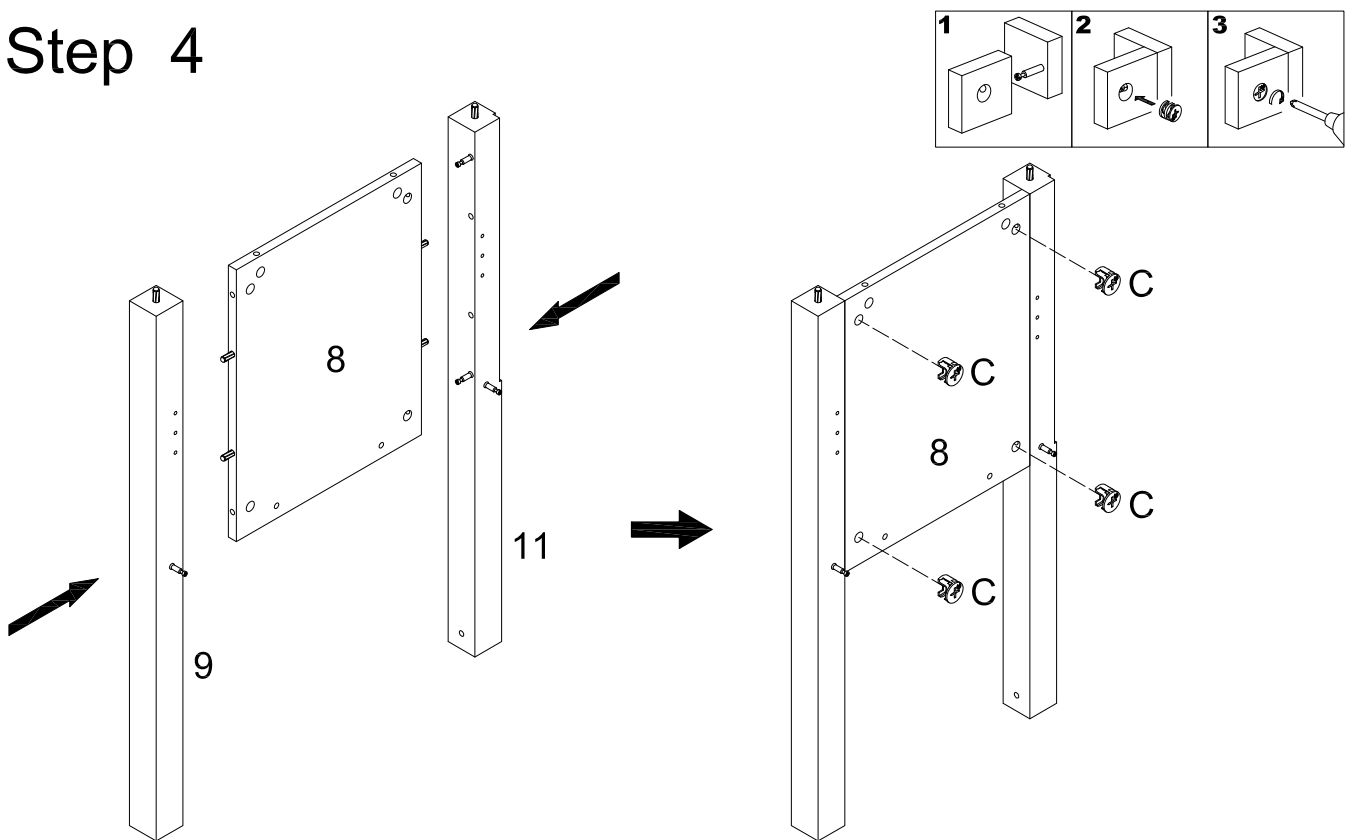
Insert wooden dowels (A) into parts (5, 6) and (8) as shown in the diagram.

# Step 3



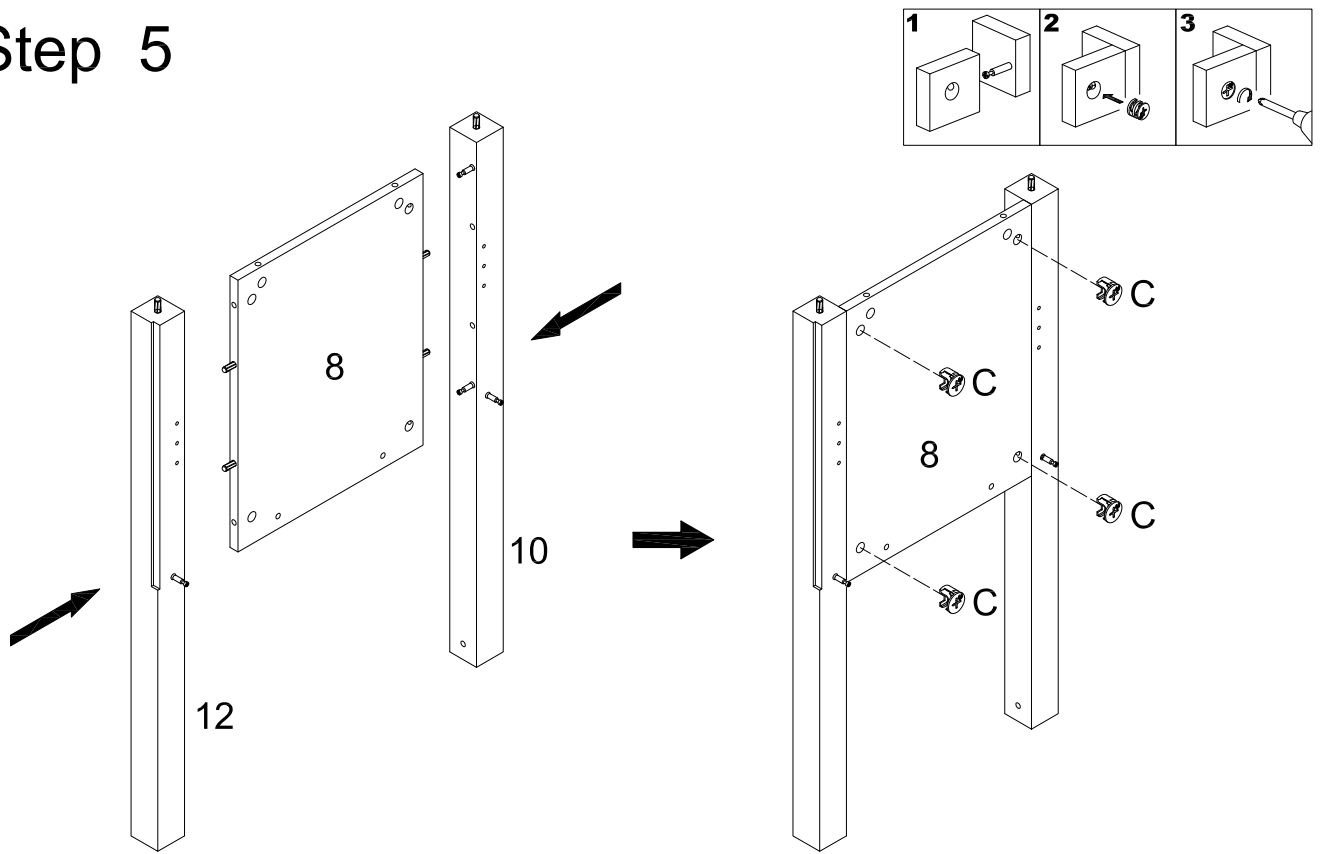
Attach cam bolts (B) and Insert wooden dowels (A) into parts (9,10,11) and (12).

# Step 4



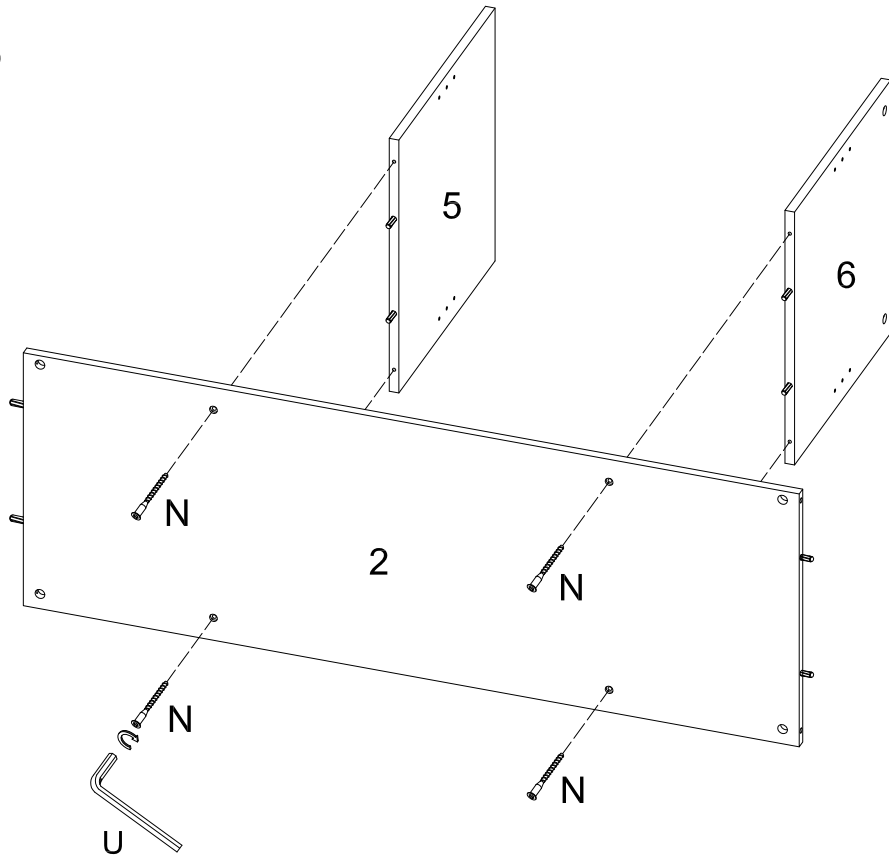
Attach parts (9) and (11) to part (8), then insert and tighten cam locks (C) as shown in the diagram.

# Step 5



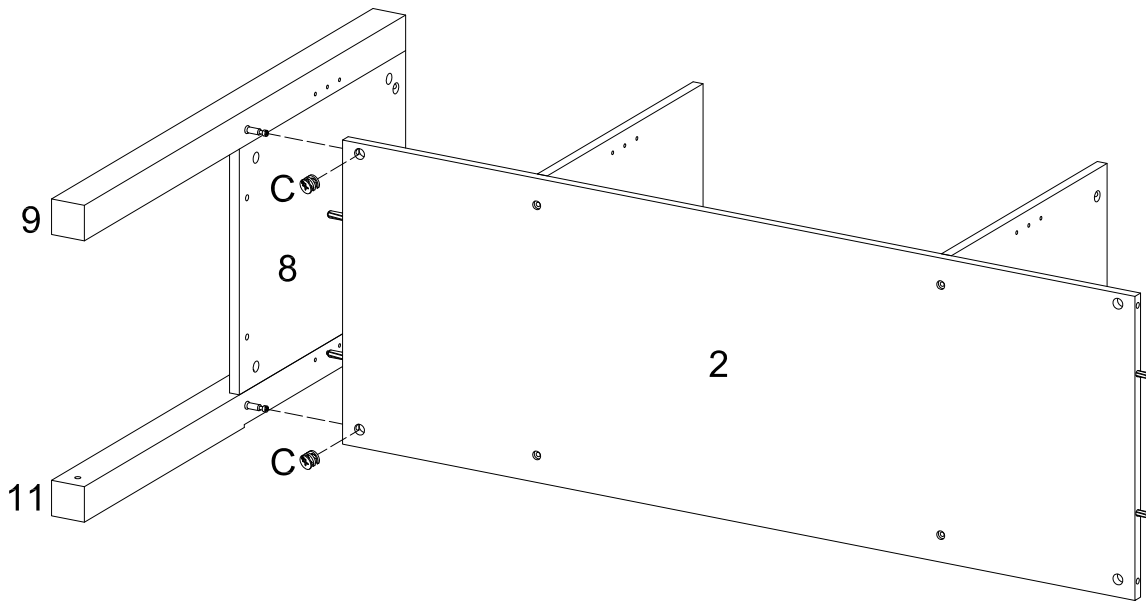
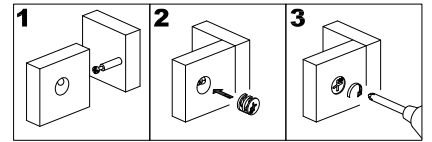
Attach parts (10) and (12) to part (8), then insert and tighten cam locks (C) as shown in the diagram.

# Step 6



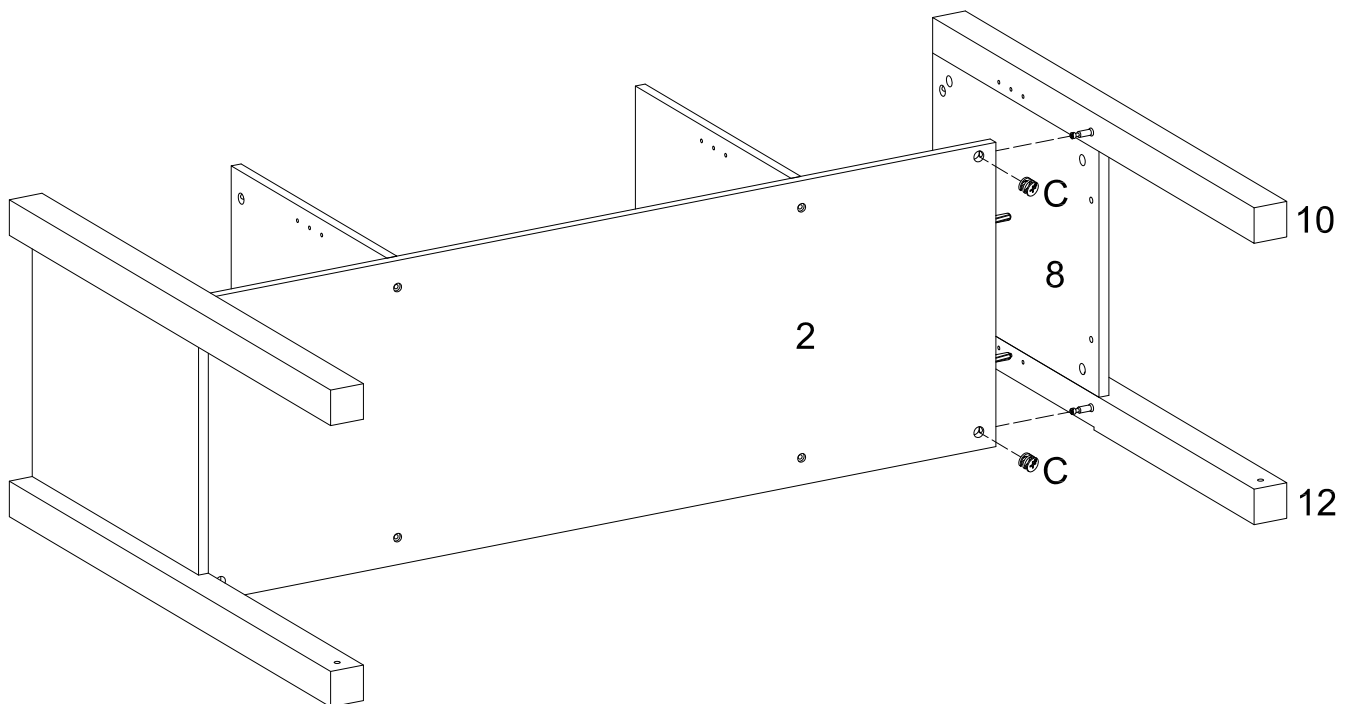
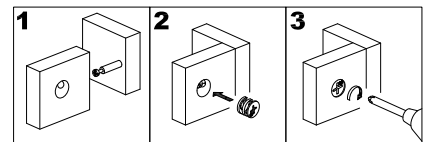
Use the wrench (U) to tighten bolts (N) to connect parts (5) and (6) to part (2).

# Step 7



Use cam bolts (C) to connect parts (9) and (11) to part (2).

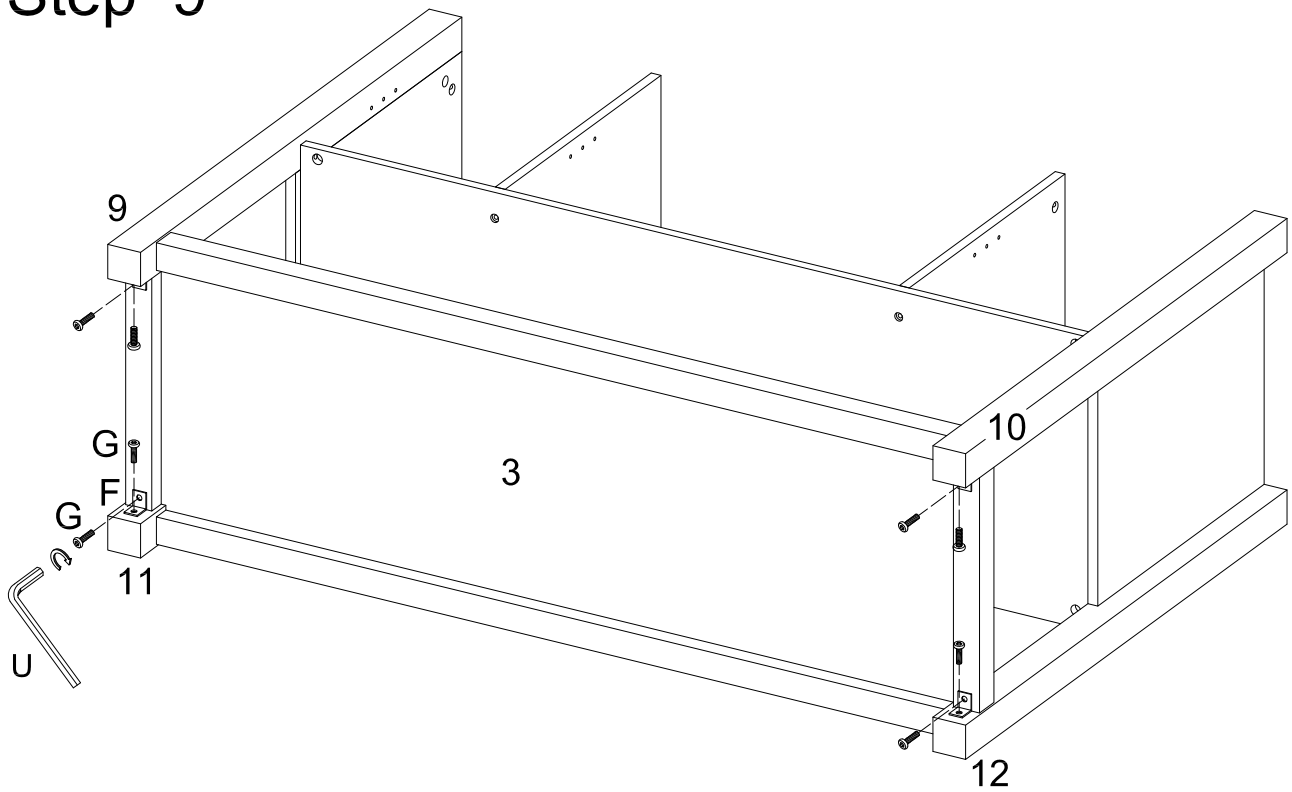
# Step 8



Use cam bolts (C) to connect parts (10) and (12) to part (2).

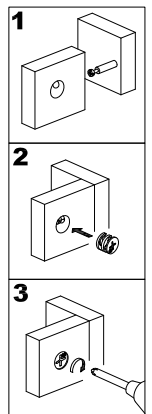
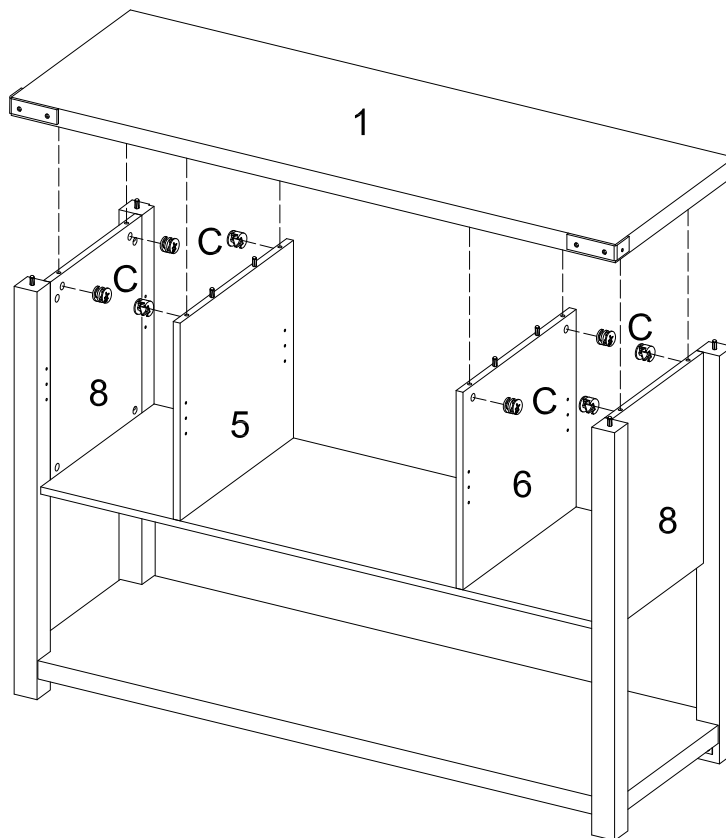


## Step 9



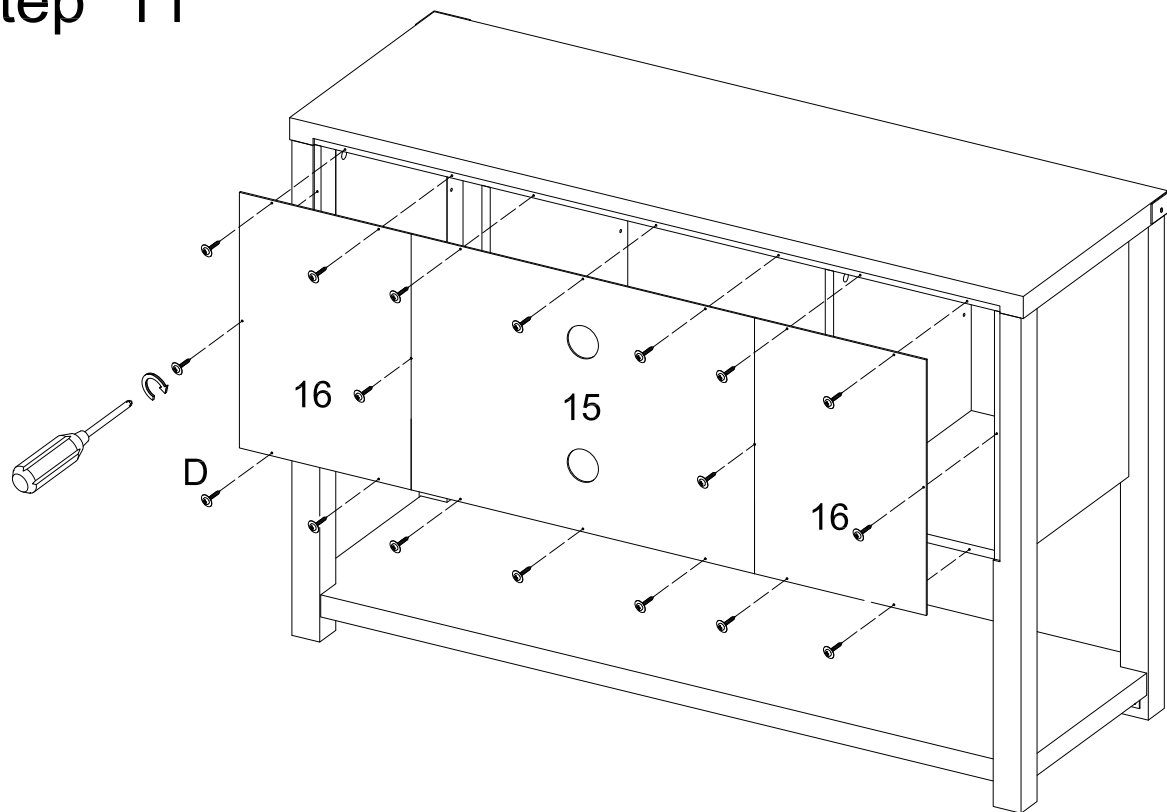
Secure shelf (3) to legs using parts (F) and (G) as shown in the diagram.

## Step 10



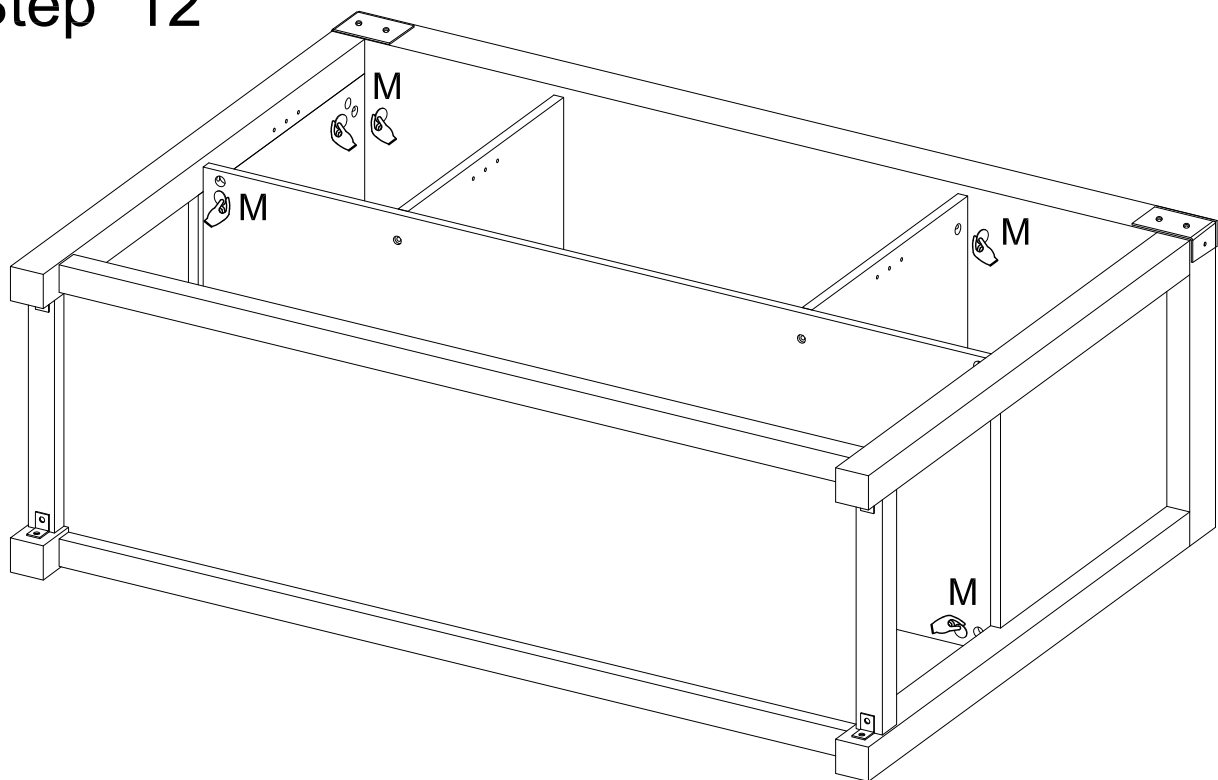
Use cam bolts to connect part (1) to the frame assembly as shown in the diagram.

## Step 11



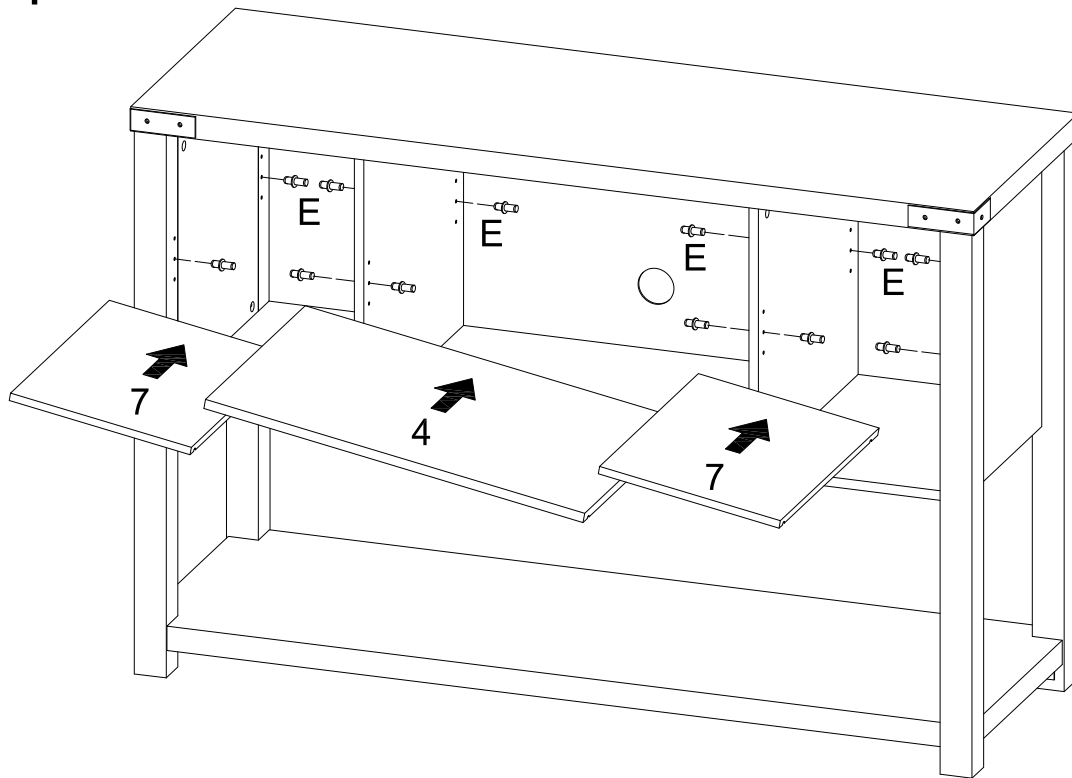
Attach back panels (15) and (16) using screws (D) as shown in the diagram.

## Step 12



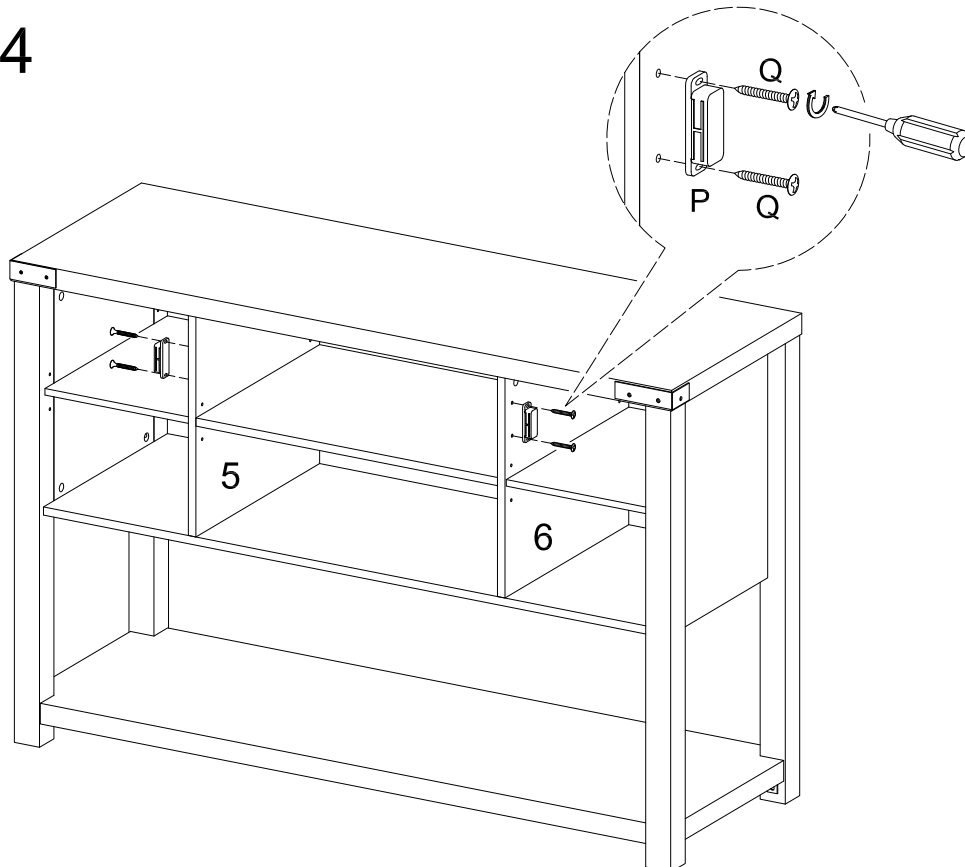
Place stickers (M) over cam locks as desired.

## Step 13



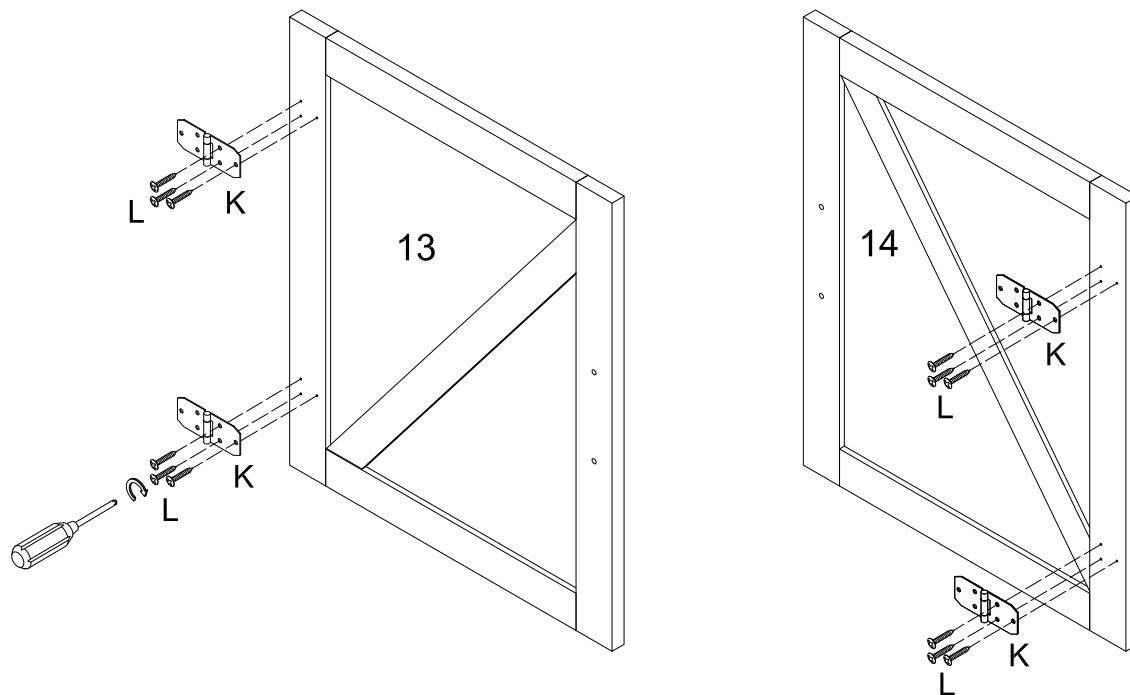
Insert shelf supports (E) and place shelves (4) and (7) as shown in the diagram.

## Step 14



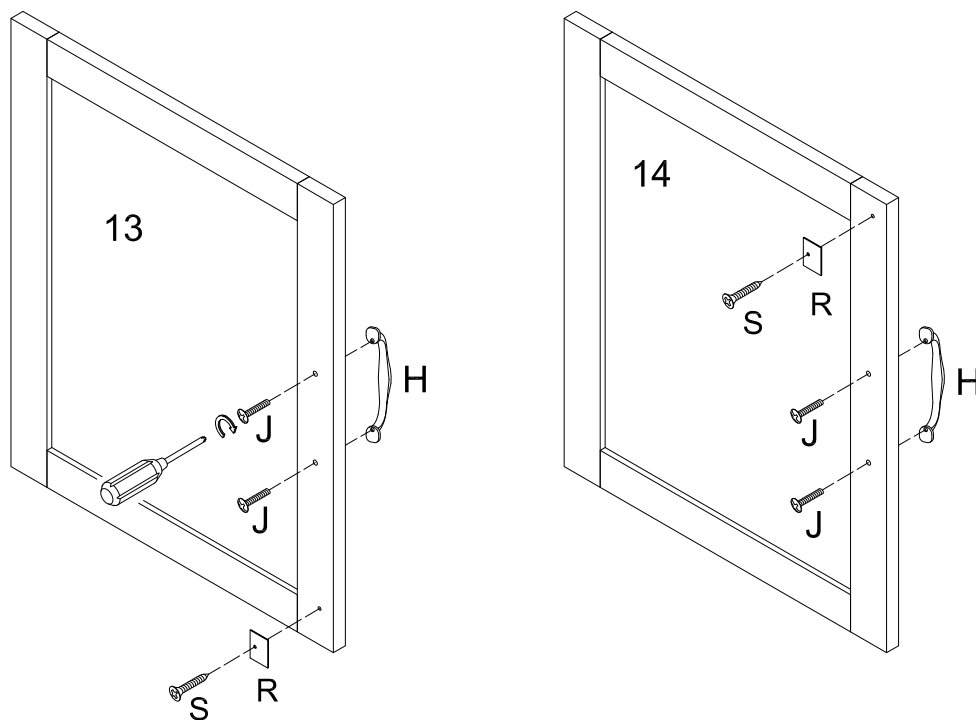
Attach door stopper (P) to designated areas by using screws (Q).

## Step 15



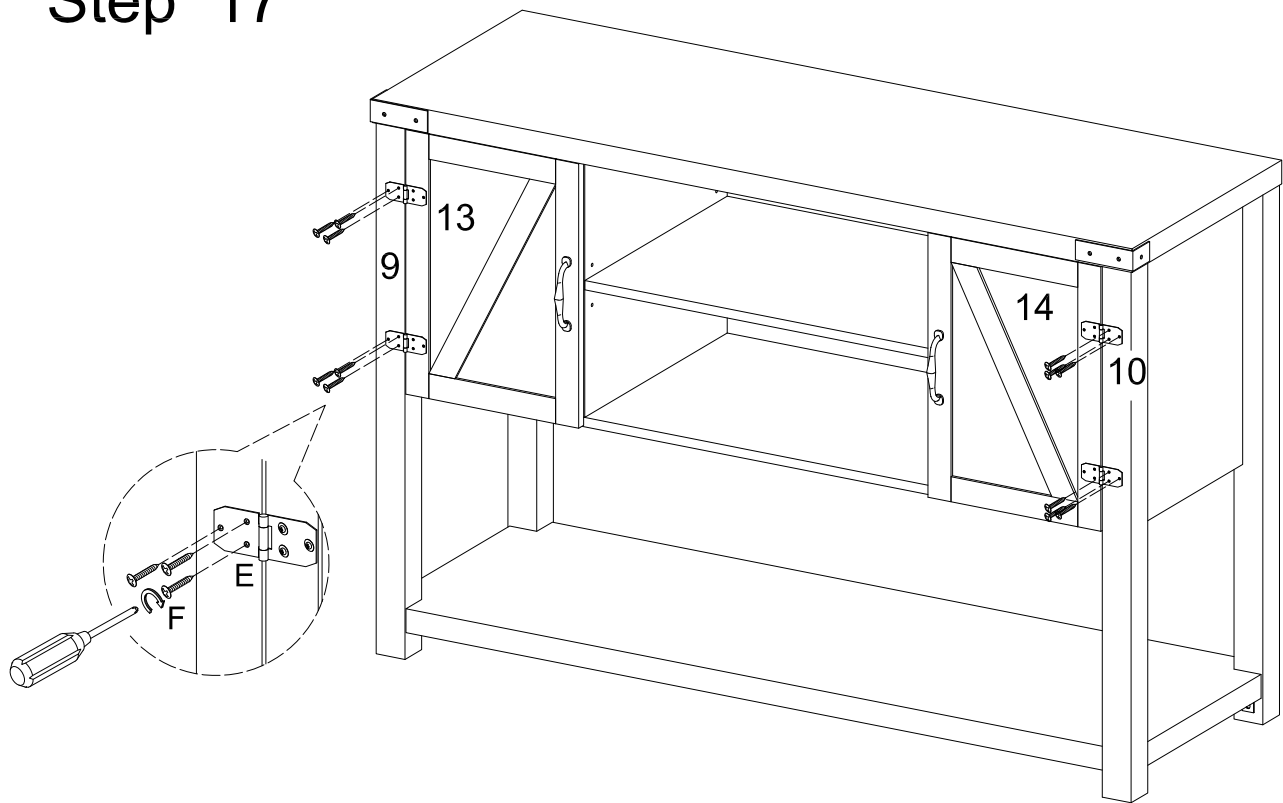
Attach hinges (K) to the doors (13,14) by using screws (L).

## Step 16



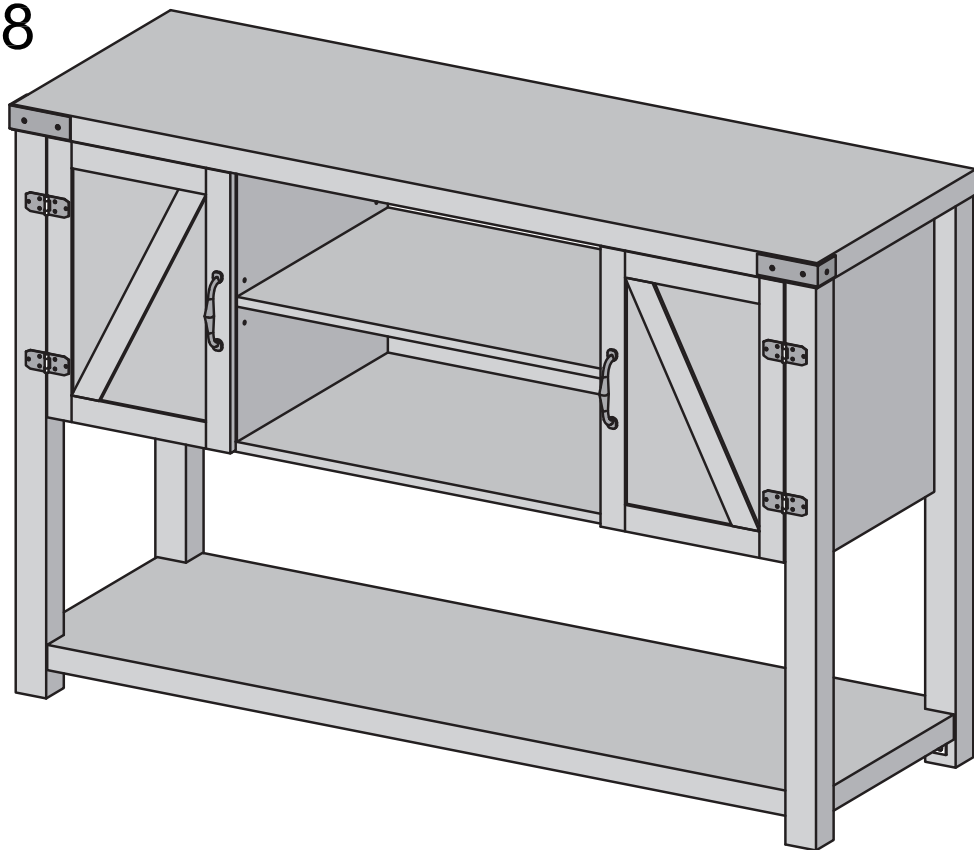
Attach handles (H) to the doors (13,14) by using screws (J). Attach metal stopper (R) using screw (S).

## Step 17



Attach hinges (E) by using screws (F) as shown in the diagram.

## Step 18



### Final Assembly