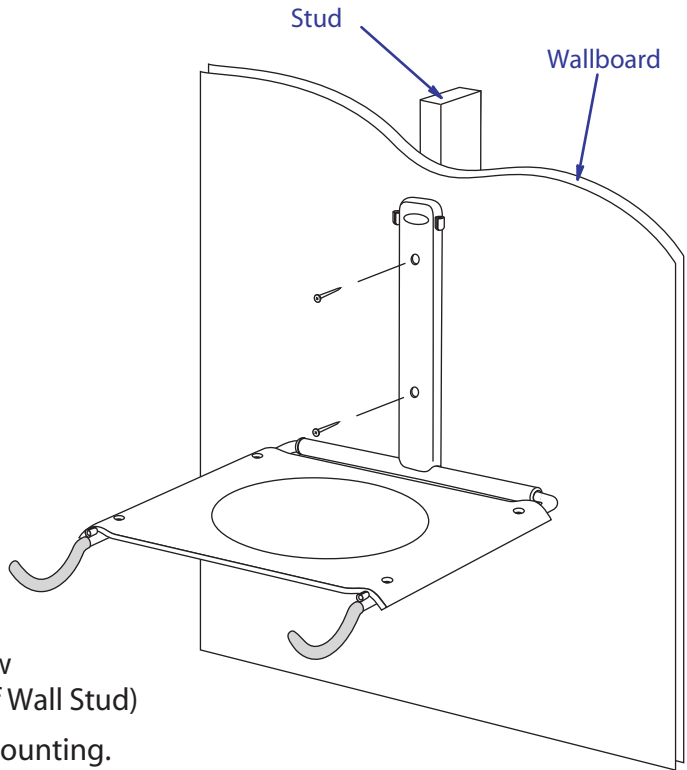
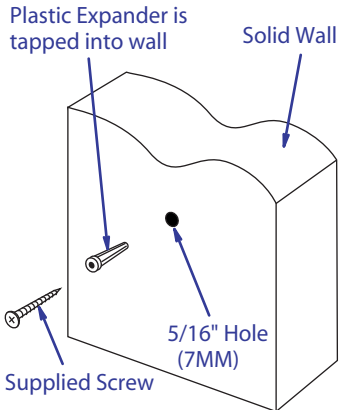


Solid Wall Installation

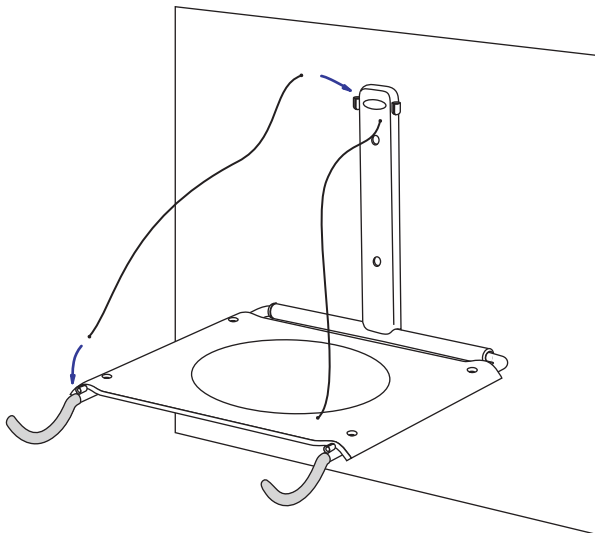
Mark Mounting Points accurately on wall BEFORE drilling any holes.



1

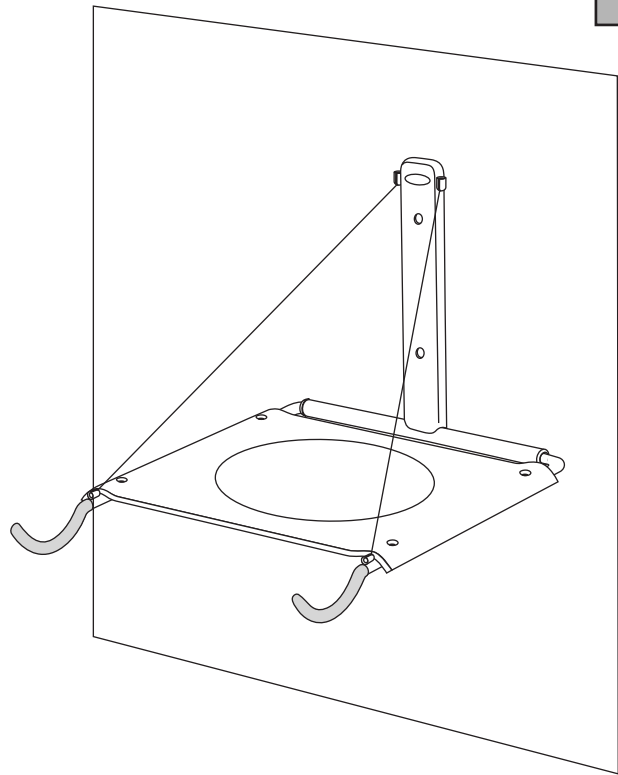
1. Locate Stud beneath wallboard.
2. Position Shelf at desired height and screw into place. (screws should be in center of Wall Stud)

NOTE: Make sure the Shelf is level when mounting.

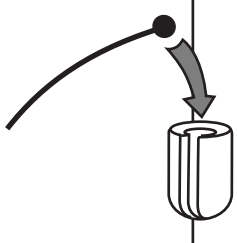


Slide Cables into mounts on Main Frame and shelf.

WARNING: Make sure cables are Fully Seated before using Selves.



WARNING: Max Weight 50LBS



Fully Seated.



Delta Cycle Corporation
21 Cocasset Street
Foxborough, MA 02035 USA

PART: MONET -RS 5500
ASSEMBLY DIAGRAM

© Copyright 2004