

# PRIVEX®

## Digital Lever Lock

### User Manual / Installation Guide



#### SK500 Series SPECIFICATIONS

Dimensions (Panels with levers):  
5 3/16" (H) x 5 1/2" (W) x 2 3/4" (D)

Total Weight: 3.31lbs

Door Thickness: 1 3/16" — 2"

Adjustable Stainless Steel Latch

Power Supply:  
4AA Alkaline Batteries (included)

Digital Keypad

Temperature: -40°F — 185°F

Thank you for choosing the PRIVEX® SK500 Digital Lever Lock.  
Please keep this manual for future reference.

#### TEMPLATE

Mark and Bore center of  
door thickness for 1" (25mm) hole

50 mm  
45 mm  
40 mm  
35 mm

Please tear off along the dotted line

Fold along dotted line and fit on door edge

For backset 2 3/8" 60 mm - Mark center

For backset 2 3/4" 70 mm - Mark center

Drill 2 1/8" (54 mm) dia. hole

## SK500 USER INSTRUCTIONS

The SK500 can be programmed to remain locked at all times, requiring a Master Code each time access to the door is required. It can also be programmed to remain unlocked at all times, allowing open access until the the lock code is used. Please follow the instructions below.

### TO UNLOCK WITH ONE-TIME ACCESS

- Enter Master Code or Sub-Code and press #.
- Correct:** One long beep. Motor of lock is engaged & latch is operable.
- Incorrect:** Three beeps. After 5 successional incorrect attempts, the Keypad becomes inactive for 1 minute.

*\*Note: Auto-Lock Function engages after 2 seconds of latch retracting or 5 seconds of lock being idle.*

### TO UNLOCK WITH UNLIMITED ACCESS

- Enter Master Code or Sub-Code and press #.
- Correct:** One long beep. Motor of lock is engaged & latch is operable.
- Incorrect:** Three beeps. After 5 successional incorrect attempts, the Keypad becomes inactive for 1 minute.
- Press # to lock.

### TO UNLOCK WITH KEY

- Remove Key Hole Cover.
- Insert key and turn 180° clockwise. As long as the key is in this position, the lock will remain unlocked.
- Return key to original position and remove from lock.
- Replace Key Hole Cover.

*\*Note: Using the key will not reset the Keypad or the Auto-Lock function.*

### TO LOCK

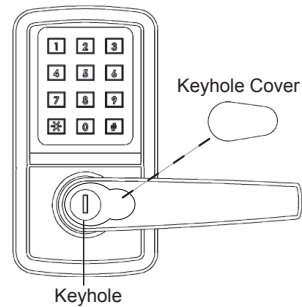
- Press #.

### TO PROGRAM MASTER CODE AND SUB-CODES

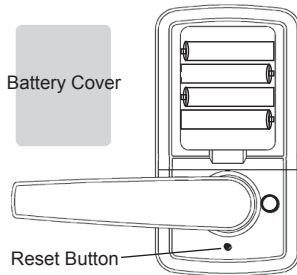
- Press Reset Button twice. (One long beep will follow.)
- Enter Master Code (111111) and #. (One long beep will follow.)
- Enter Sub-Code (see chart on right).
- Wait 2 seconds. Enter new code (4-6 digits) & press #. (One beep indicates accepted code. Three beeps indicate Error.)
- Press # to exit Program Mode.

*\*Note: Two beeps indicate idleness longer than 5 seconds and lock has exited Program Mode.*

### EXTERIOR VIEW



### INTERIOR VIEW



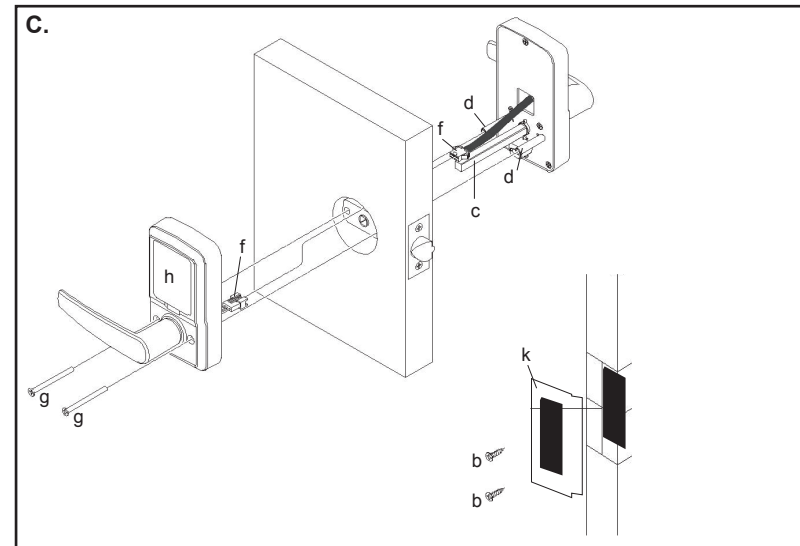
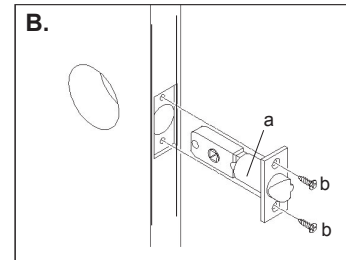
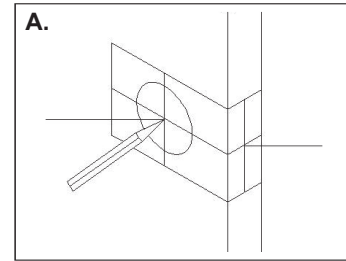
### PROGRAMMABLE SUBCODES

Master Code = \*00  
(Pre-programmed Master Code = 111111)

Sub-Code 1 = \*01  
Sub-Code 2 = \*02  
Sub-Code 3 = \*03  
Sub-Code 4 = \*04  
Sub-Code 5 = \*05  
Sub-Code 6 = \*06  
Sub-Code 7 = \*07  
Sub-Code 8 = \*08  
Sub-Code 9 = \*09

Temp Code = \*10  
(Provides one-time Temporary Access.  
Code is erased after one-time use.)

## SK500 INSTALLATION



**A.** If door is not bored, use the attached template on the back of this manual. Follow instructions on the template. If door is bored, skip Step A and proceed to Step B.

**B.** Insert latch (a) into the door. Use a phillips screwdriver to tighten the screws (b), being careful not to overtighten.

**C.** Insert the square spindle (c) through the door and latch (a). Connect the wires (f x 2). Connect the two plates and tighten screws (g) into pipes (d). Remove battery cover (h) and install 4 AA batteries. Place strike plate (k) on door frame and tighten screws (b) with screwdriver.

## TEMPLATE

