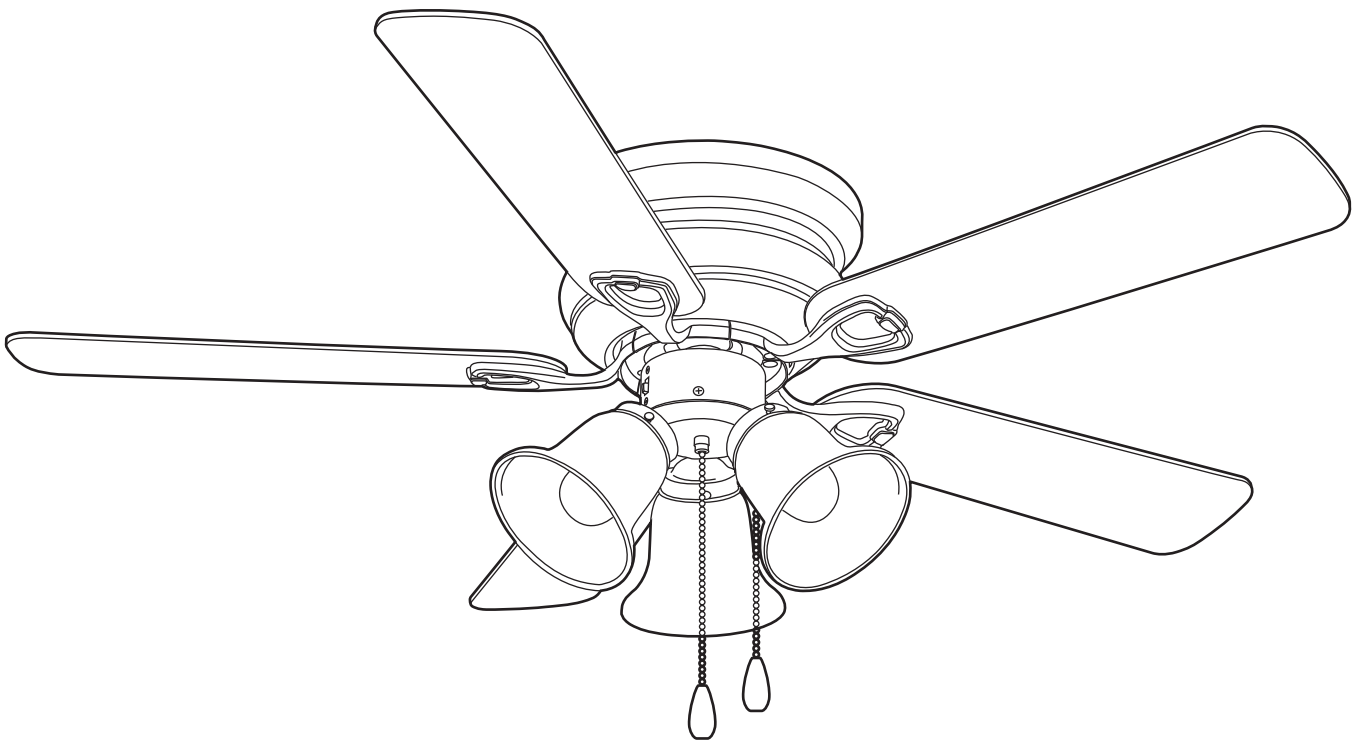


# USE AND CARE GUIDE

---

## CLARKSTON 44 INCH CEILING FAN



Questions, problems, missing parts?  
Before returning to the store, call Customer Service

1-877-527-0313

HOMEDEPOT.COM



# Table of Contents

Table of Contents .....	2	Operation .....	11
Safety Information .....	2	Care and Cleaning .....	11
Warranty .....	3	Troubleshooting .....	12
Pre-installation .....	3	Service Parts .....	13
Specifications .....	3		
Tools Required .....	3		
Hardware Included .....	4		
Package Contents .....	5		
Installation .....	6		
Assembly .....	7		
Hanging the Fan .....	7		
Attaching the Fan Blades .....	10		
Installing the Light Kit .....	10		

## Safety Information - Read and Save These Instructions

1. To reduce the risk of electric shock, ensure electricity has been turned off at the circuit breaker or fuse box before beginning.
2. All wiring must be in accordance with the National Electrical Code “ANSI/NFPA 70-1999” and local electrical codes. Electrical installation should be performed by a qualified licensed electrician.
3. The outlet box and support structure must be securely mounted and capable of reliably supporting a minimum of 35 lbs. Use only UL Listed outlet boxes marked “FOR FAN SUPPORT.”
4. The fan must be mounted with a minimum of 7 ft. clearance from the trailing edge of the blades to the floor.
5. Avoid placing objects in the path of the blades.
6. To avoid personal injury or damage to the fan and other items, be cautious when working around or cleaning the fan.
7. Do not use water or detergents when cleaning the fan or fan blades. A dry dust cloth or lightly dampened cloth will be suitable for most cleaning.
8. After making electrical connections, spliced conductors should be turned upward and pushed carefully up into the outlet box. The wires should be spread apart with the grounded conductor and the equipment-grounding conductor on one side of the outlet box and ungrounded conductor on the other side of the outlet box.
9. All setscrews must be checked and retightened where necessary before installation.



**WARNING:** To reduce the risk of electrical shock or fire, do not use this fan with any solid-state fan speed control device. It will permanently damage the electronic circuitry.



**WARNING:** To reduce the risk of personal injury, do not bend the blade arms (also referred to as flanges), when installing the brackets, balancing the blades or cleaning the fan.



**WARNING:** Do not insert foreign objects between rotating fan blades.



**WARNING:** To reduce the risk of fire, electric shock or personal injury, mount the fan to the outlet box marked acceptable for fan support with the screws provided with the outlet box.



**CAUTION:** To reduce the risk of personal injury, use only the screws provided with the outlet box.

# Warranty

We warrant the fan motor to be free from defects in workmanship and material present at time of shipment from the factory for a period of 15 years after the date of purchase by the original purchaser. We also warrant that all other fan parts, excluding any glass or acrylic blades, to be free from defects in workmanship and material at the time of shipment from the factory for a period of one year after the date of purchase by the original purchaser. We agree to correct such defects without charge or at our option replace with a comparable or superior model if the product is returned. To obtain warranty service, you must present a copy of the receipt as proof of purchase. All costs of removing and reinstalling the product are your responsibility. Damage to any part such as by accident, misuse, improper installation or by affixing any accessories, is not covered by this warranty. Because of varying climatic conditions this warranty does not cover any changes in brass finish, including rusting, pitting, corroding, tarnishing or peeling. Brass finishes of this type give their longest useful life when protected from varying weather conditions. A certain amount of "wobble" is normal and should not be considered a defect. Servicing performed by unauthorized persons shall render the warranty invalid. There is no other express warranty. We hereby disclaim any and all warranties, including but not limited to those of merchantability and fitness for a particular purpose to the extent permitted by law. The duration of any implied warranty which cannot be disclaimed is limited to the time period as specified in the express warranty. Some states do not allow limitation on how long an implied warranty lasts, so the above limitation may not apply to you. The retailer shall not be liable for incidental, consequential, or special damages arising out of or in connection with product use or performance except as may otherwise be accorded by law. Some states do not allow the exclusion of incidental or consequential damages, so the above exclusion or limitation may not apply to you. This warranty gives specific legal rights, and you may also have other rights which vary from state to state. This warranty supersedes all prior warranties. Shipping costs for any return of product as part of a claim on the warranty must be paid by the customer.

Contact the Customer Service Team at 1-877-527-0313 or visit [WWW.HOMEDEPOT.COM](http://WWW.HOMEDEPOT.COM).

# Pre-Installation

## SPECIFICATIONS

Fan size	Speed	Volts	Amps	Watts	RPM	CFM	N.W.	G.W.	C.F.
44 in.	Low	120	0.22	14.7	95	1711	7.15 kgs (15.73 lbs)	8.60 kgs (18.92 lbs)	1.39 ft.
	Medium		0.31	29.2	135	2549			
	High		0.40	48.4	182	3241			



**NOTE:** These are approximate measures. They do not include amps and wattage used by the light kit.

## TOOLS REQUIRED

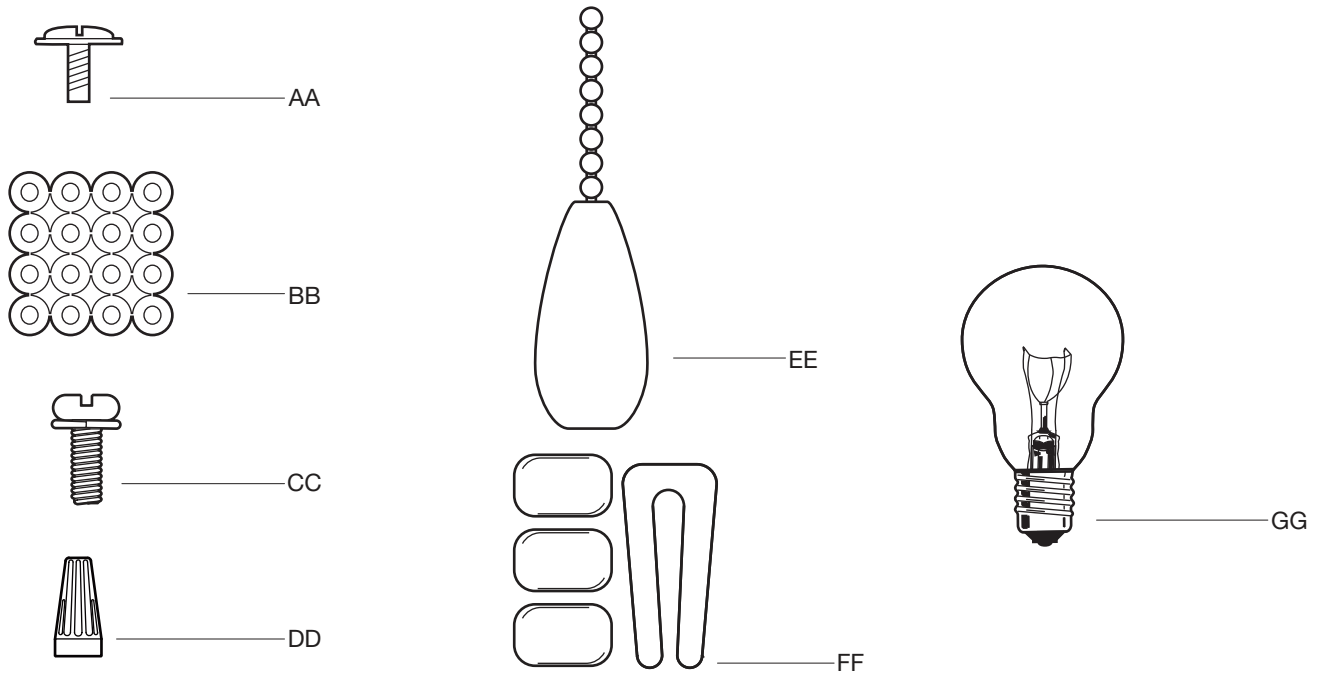


# Pre-Installation (continued)

## HARDWARE INCLUDED



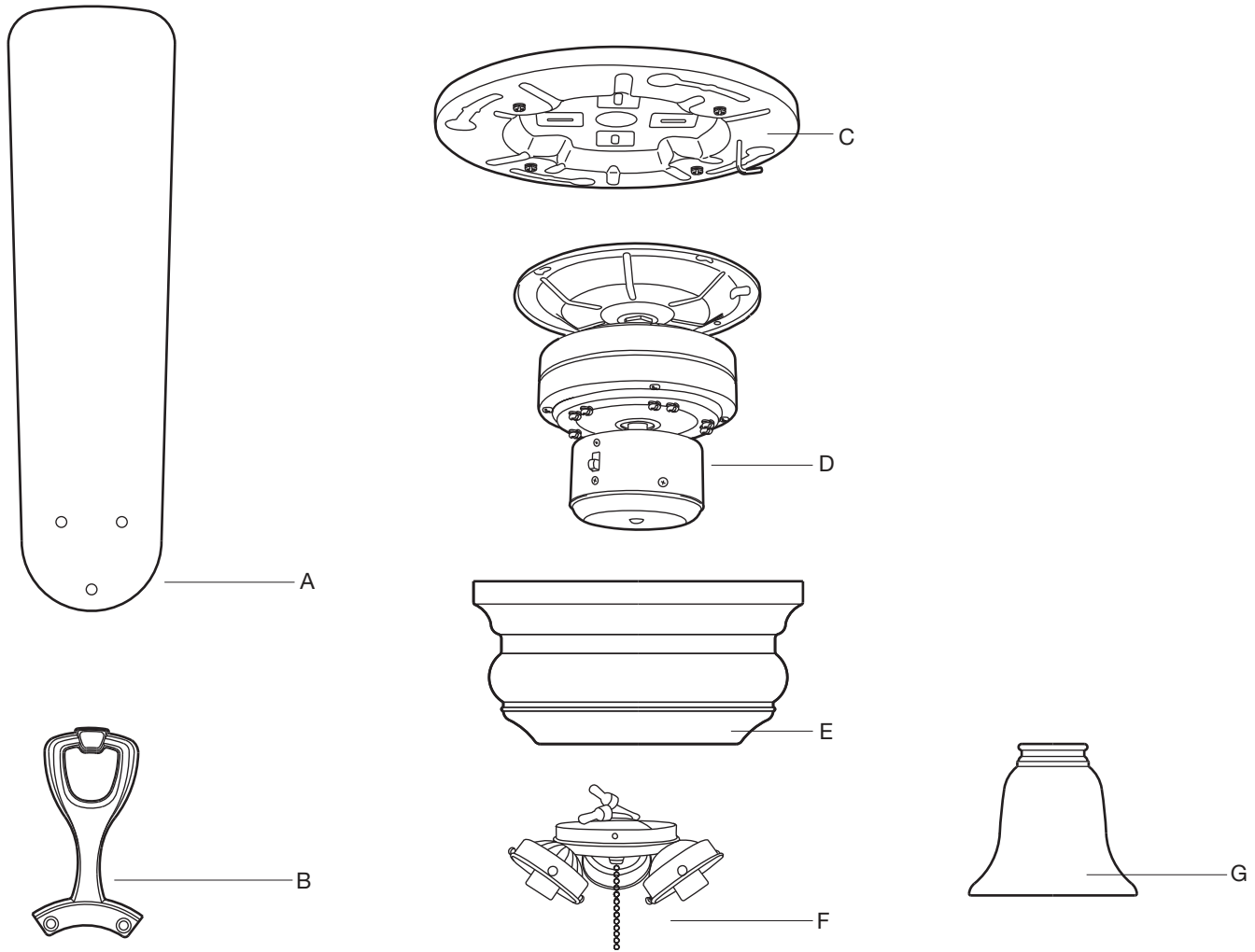
**NOTE:** Hardware shown to actual size unless noted otherwise in the table below.



Part	Description	Quantity
AA	Blade screw	16
BB	Fiber washer (not to scale)	16
CC	Blade bracket screw (10 pieces preassembled)	11
DD	Plastic wire nut	3
EE	Pull chain fob	2
FF	Balancing kit (not to scale)	1
GG	60W A15C bulb (not to scale)	3

# Pre-Installation (continued)

## PACKAGE CONTENTS



Part	Description	Quantity
A	Blade	5
B	Blade bracket	5
C	Mounting bracket	1
D	Fan motor assembly	1

Part	Description	Quantity
E	Fan housing	1
F	Light kit assembly	1
G	Glass shade	3

# Installation

## MOUNTING OPTIONS

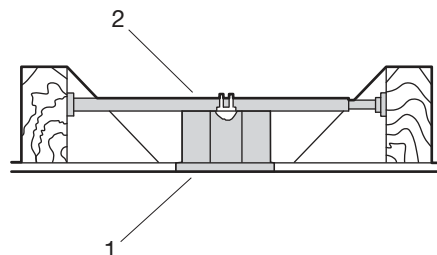
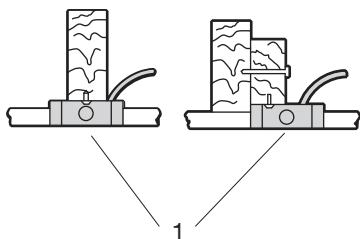
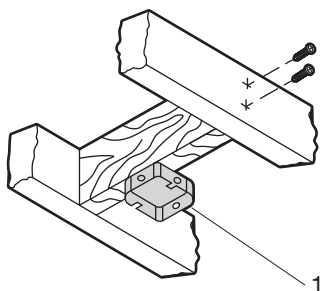


**WARNING:** To reduce the risk of fire, electric shock, or personal injury, mount the fan to an outlet box marked acceptable for fan support using the screws provided with the outlet box. An outlet box commonly used for the support of lighting fixtures may not be acceptable for fan support and may need to be replaced. If in doubt, consult a qualified electrician.

If your ceiling fan does not have an existing UL-listed mounting box, then install one using the following instructions:

- Disconnect the power by removing the fuses or turning off the circuit breakers.
- Secure the outlet box (1) (not included) directly to the building structure. Use appropriate fasteners and materials (not included). The outlet box and its bracing must be able to fully support the weight of the moving fan (at least 35 lbs.). Do not use a plastic outlet box.

The illustrations below show two different ways to mount the outlet box (not included).



To hang your fan where there is an existing fixture but no ceiling joist, you may need an installation hanger bar (2) (not included) as shown above.

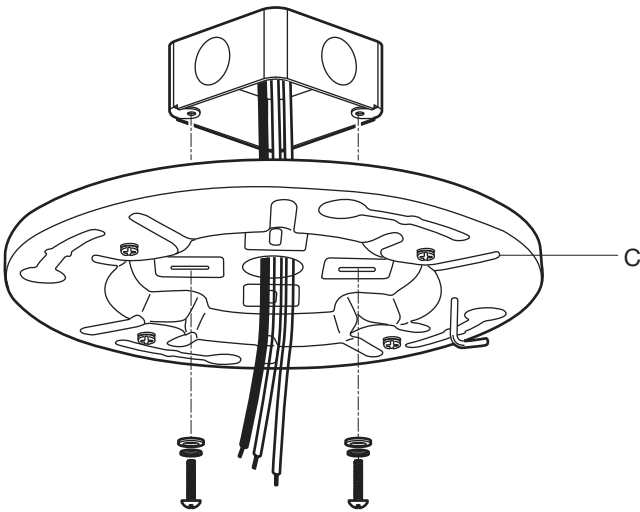
# Assembly – Hanging the Fan

## 1 Installing the mounting bracket to the electrical box



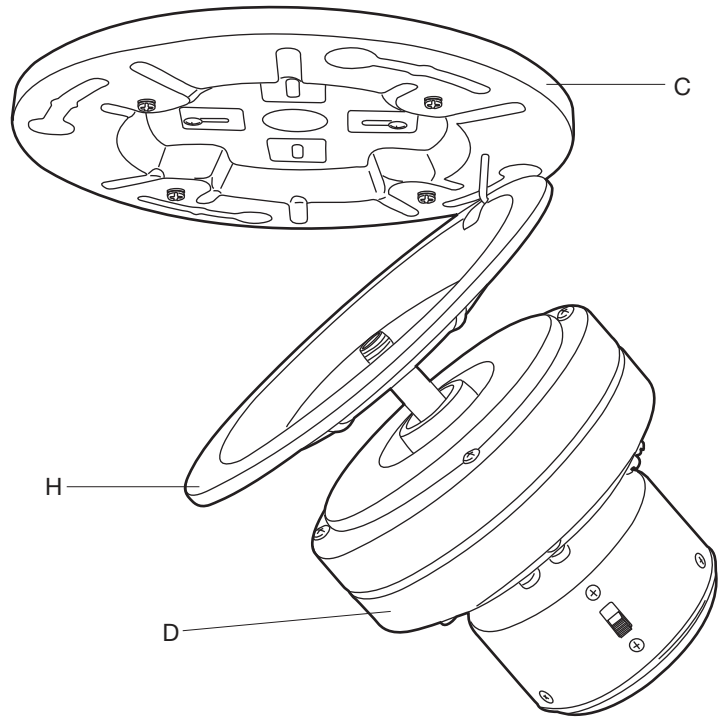
**WARNING:** To reduce the risk of fire, electric shock or other personal injury, mount the fan only to an outlet box or supporting system marked acceptable for fan support and use the mounting screws provided with the outlet box.

- Attach the mounting bracket (C) to the outlet box with two screws and washers provided with the outlet box. Make sure the mounting bracket (C) is tight and secured.



## 2 Hanging the fan to the mounting bracket

- Lift the fan into position by hanging the mounting plate (H) portion of the fan motor assembly (D) onto the hook from the ceiling mounting bracket (C) allowing it to hang freely.



# Assembly – Hanging the Fan (continued)

## 3 Making the electrical connections



**WARNING:** To avoid possible electrical shock, be sure electricity is turned off at the circuit breaker or main fuse box before wiring.



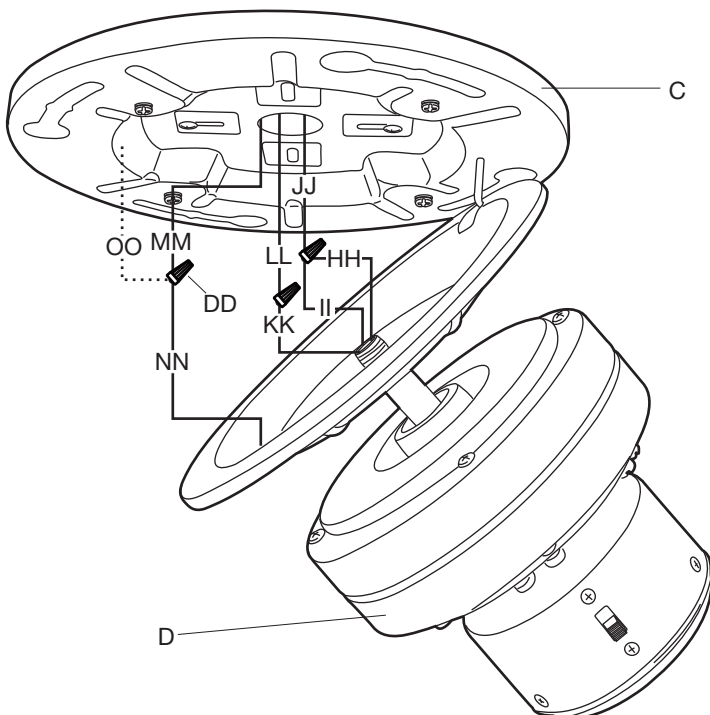
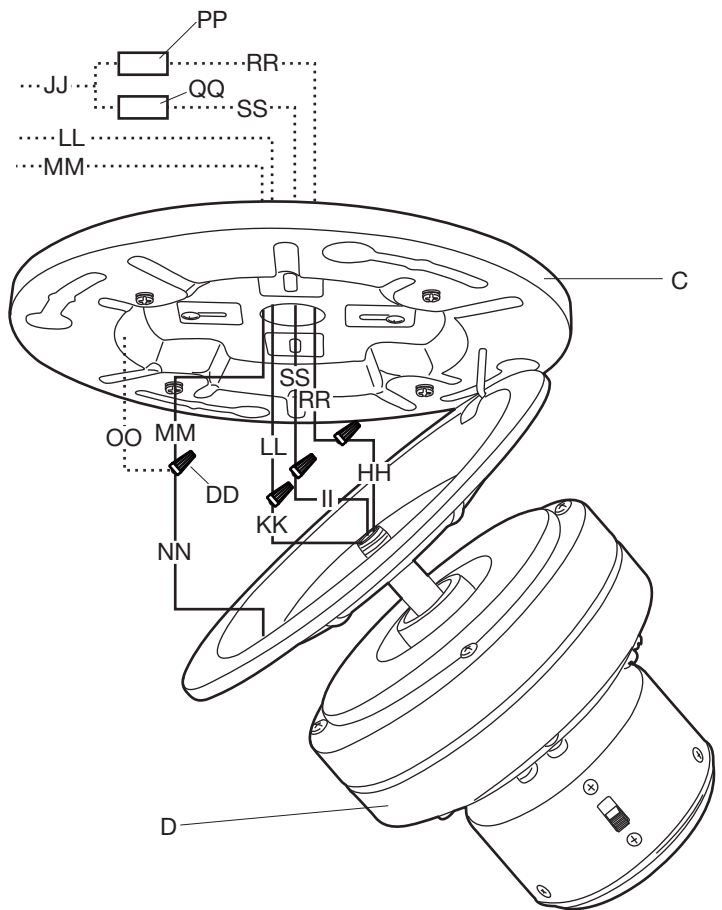
**WARNING:** Check to see that all connections are tight, including ground, and that no bare wire is visible at the wire nuts, except for the ground wire.

Follow the steps below to connect the fan to your house supply wires. Secure the wire nuts (DD) supplied with your fan by wrapping the connections with electrical tape.

- Connect the black (HH) and blue (II) color wires from the fan to the hot wire (black) (JJ) from the ceiling. Connect the white (KK) color wire from the fan to the neutral wire (white) (LL) from the ceiling.
- If there is a ground wire (MM) (green color or bare copper color) in your outlet box, connect the green wire (NN) from the fan to it. If there is not a ground wire in your outlet box, connect the green wire (NN) from the fan to the green wire (OO) from the mounting bracket (C). Secure the wire connection with the plastic wire nuts (DD).

- If you wish to install an optional wall control, use this diagram as a guide but refer to the installation manual for the wall control for the correct color and wire connections.

PP: Fan wall control  
QQ: Light wall control  
RR: Fan wall control output wire  
SS: Light wall control output wire

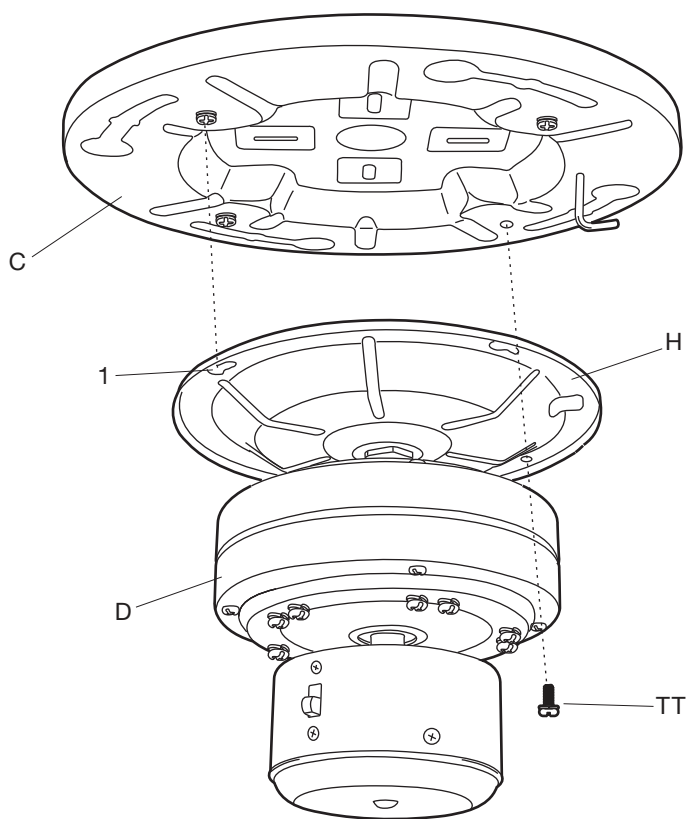




## Assembly – Hanging the Fan (continued)

### 4 Attaching the fan motor assembly to the mounting bracket

- Remove one of the four screws (TT) on the mounting bracket (C) and loosen, but do not remove, the other three screws (TT).
- Remove the motor assembly (D) from the J hook.
- Lift and place the key holes (1) on the mounting plate (H) over the three screws previously loosened on the mounting bracket (C) and turn the mounting plate (H) until it locks in place and no longer turns.
- Secure by tightening the three screws previously loosened and the screw (TT) previously removed.

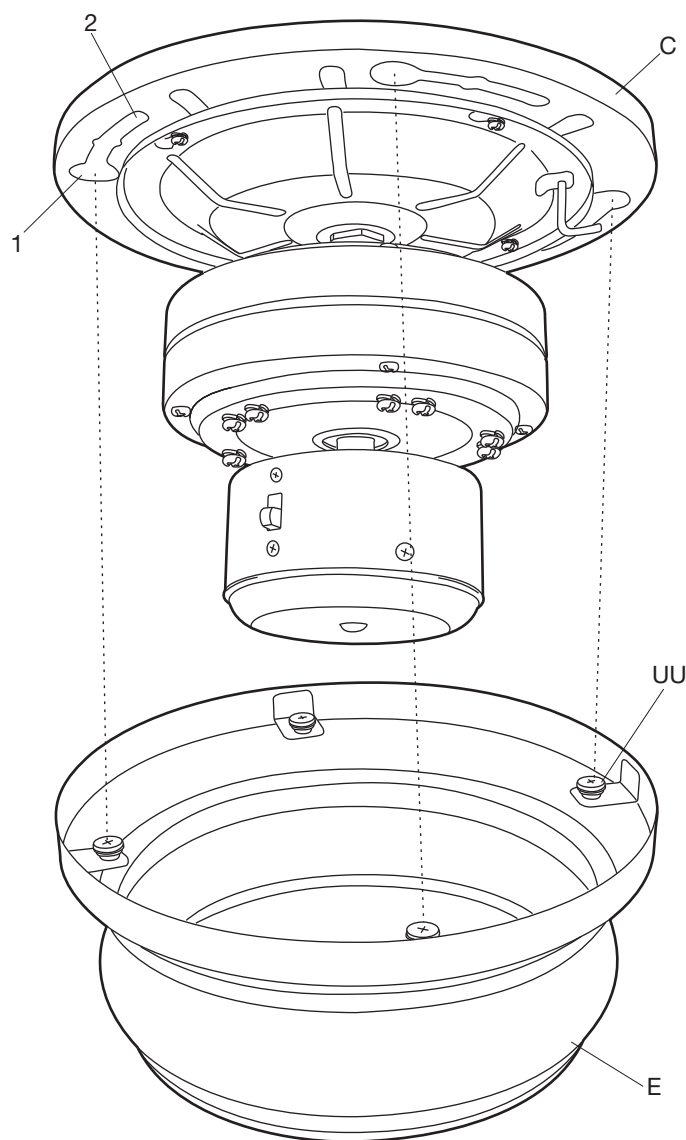


### 5 Finishing the fan installation

- Align the four large screwheads (UU) pre-locked on the fan housing (E) to the key holes (1) of the mounting bracket (C).
- Turn the fan housing (E) at the right side and twist the screwheads (UU) to the end of the slotted holes (2) until they lock in place and no longer turn.



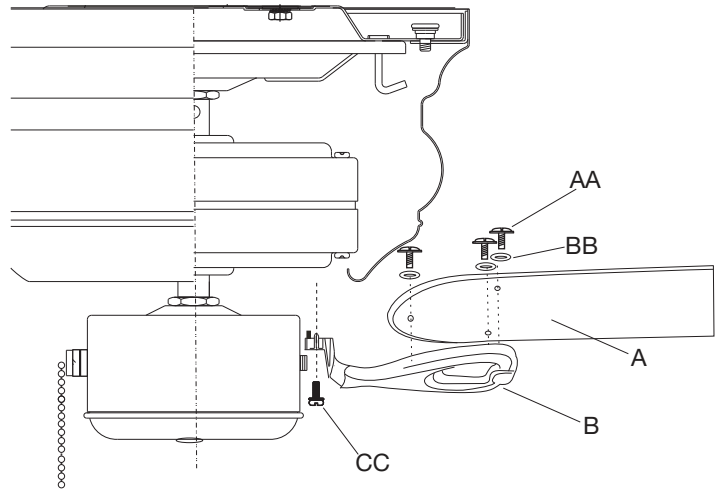
**WARNING:** Ensure you complete this step correctly and follow all steps. Failure to correctly follow this step might cause the fan to fall.



## Assembly – Attaching the Fan Blades

### 6 Fastening the blade assemblies to the motor

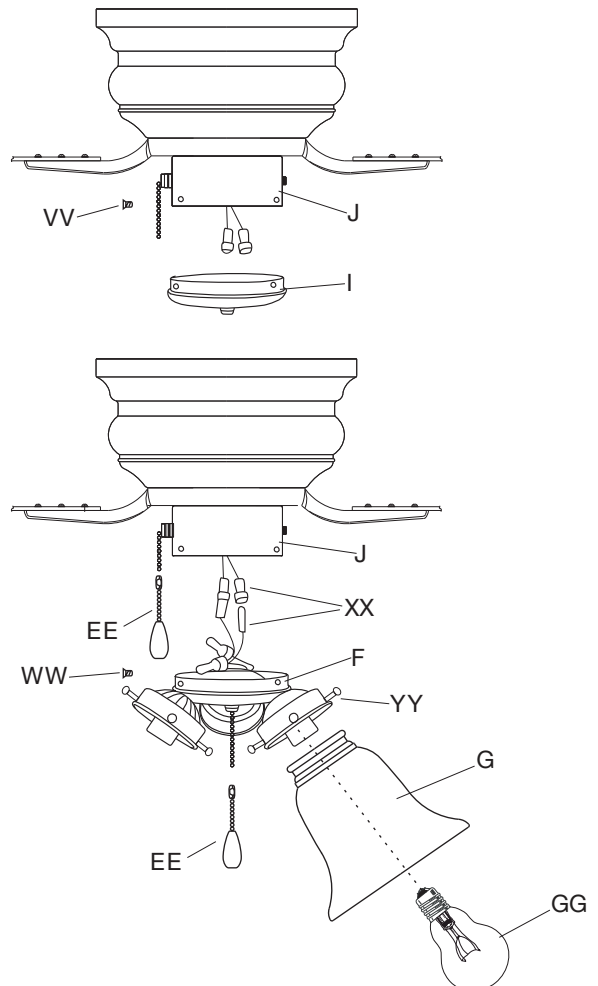
- Attach the fan blades (A) to the blade bracket (B) using the blade screws (AA) and fiber washers (BB). Tighten the screws (AA) securely.
- Remove the ten blade bracket screws (CC) from the bottom of the motor.
- Align the motor holes to the blade bracket (B) and secure with the blade bracket screws (CC). Tighten the screws (CC) securely.
- Repeat this procedure with the remaining blade assemblies.



## Assembly – Installing the Light Kit

### 7 Finish the light kit assembly and glass shades mounting

- Disassemble the switch house cover (I) by removing the three screws (VV) on the switch house (J).
- Remove the three screws (WW) in the light kit (F). While holding the light kit assembly under your fan, snap together the wire connection plugs (XX).
- Carefully push all wires back into the switch house (J), then install the light kit assembly (F) onto the switch house (J) with the three screws (WW) removed and securely tighten all screws.
- To install light kit glass shade (G), loosen the light kit screws (YY) and install the glass shade (G) to the light kit (F). Secure by tightening the light kit screws (YY) previously loosened.
- Install 3×60W A15C bulbs (GG) (included).
- **Attach the pull chain fob (EE) to the chain on the switch house (J) and the light kit assembly (F).**
- Restore power and your light kit is ready for use.



## Operation

Turn on the power and check the operation of your fan. There are two pull chains available in your fan.

**The fan pull chain** controls the fan speed as follows:  
1 pull- High, 2 pulls- Medium, 3 pulls- Low, and 4 pulls- Off.

**The light kit pull chain** turns the light "ON" or "OFF"

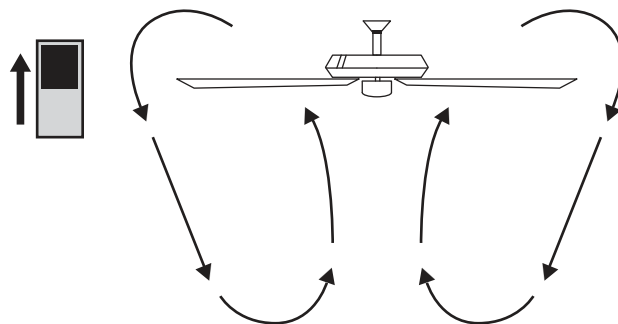
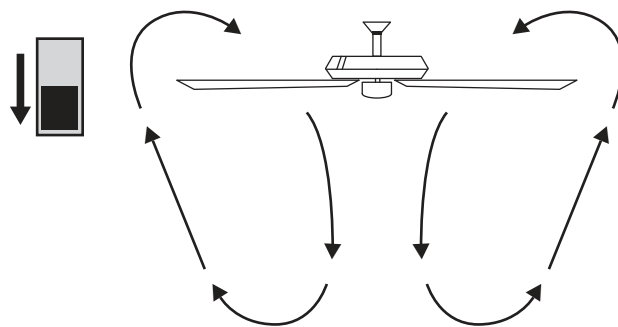
The reverse switch is located on the surface of the switch housing. This switch controls directions: forward (switch down) or reverse (switch up).



**NOTE:** Wait for the fan to stop before reversing the direction of the blade rotation.

**Warm weather - (Counterclockwise Direction)** A downward air flow creates a cooling effect. This allows you to set your air conditioner on a higher setting without affecting your comfort.

**Cool weather - (Clockwise Direction)** An upward air flow moves warm air off the ceiling. This allows you to set your heating unit on a lower setting without affecting your comfort.



## Care and Cleaning

### Do

- Check the support connections, brackets, and blade attachments twice a year. Ensure they are secure. Because of the fan's natural movement, some connections may become loose over time. It is not necessary to remove the fan from the ceiling.
- Clean your fan periodically. Use only a soft brush or lint-free cloth to avoid scratching the finish. The plating is sealed with a lacquer to minimize discoloration or tarnishing.
- (Optional) Apply a light coat of furniture polish to the wood blades.
- (Optional) Cover small scratches with a light application of shoe polish.

### Do not

- Do not use water when cleaning. Water could damage the motor, or the wood, or possibly cause an electrical shock.
- Do not apply oil to your fan or motor. The motor has permanently-lubricated sealed ball bearings.

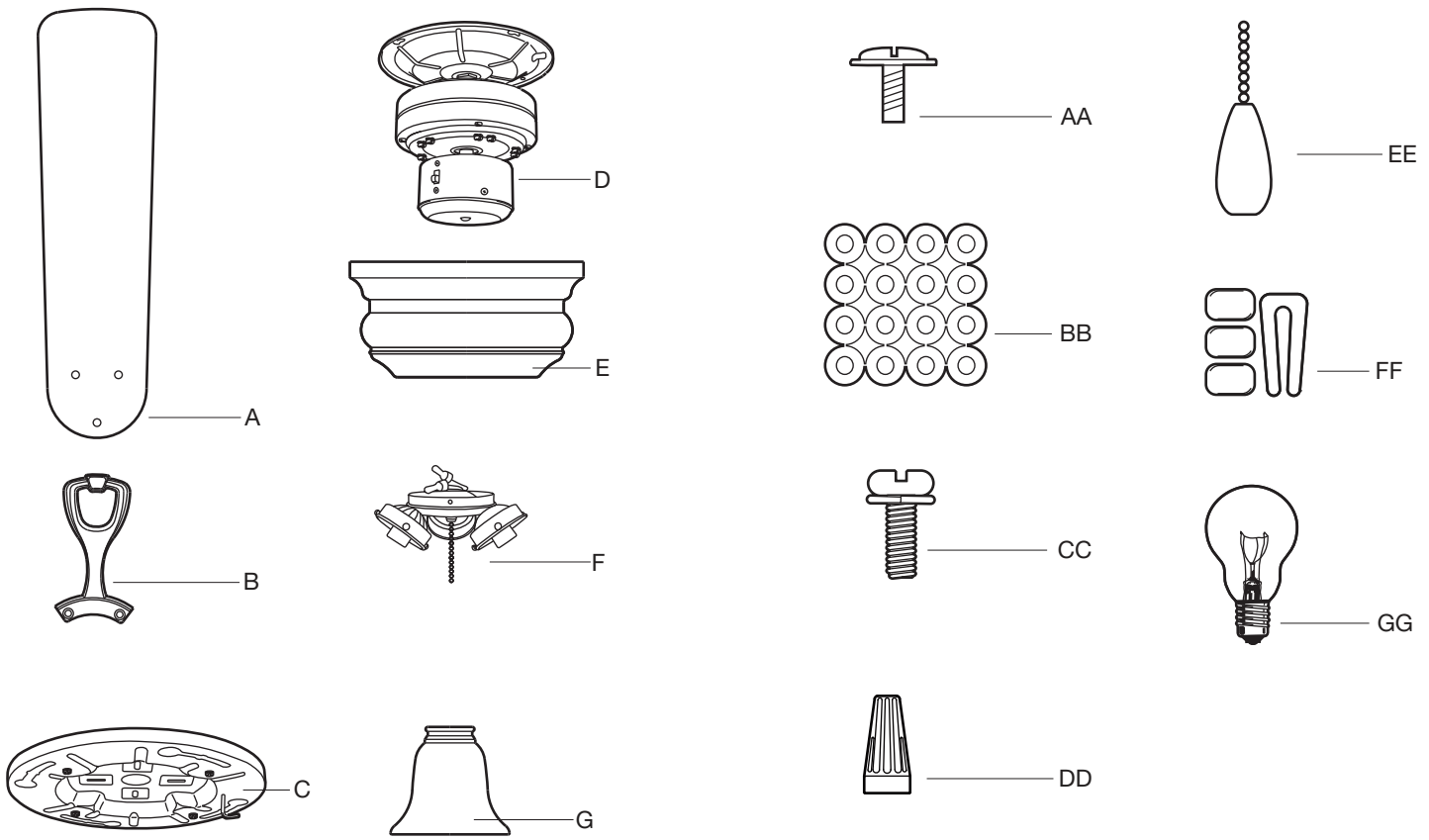
# Troubleshooting



**WARNING:** Ensure the power is off at the electrical panel box before you attempt any repairs. Refer to the section "Making the Electrical Connections" on page 8.

Problem	Solution
The fan will not start.	<input type="checkbox"/> Check the main and branch circuit fuses or breakers.
	<input type="checkbox"/> Check the line wire connections to the fan and switch wire connections in the switch housing.
	<input type="checkbox"/> Check to ensure the dip switches from the remote control and receiver are set to the same frequency.
The fan sounds noisy.	<input type="checkbox"/> Ensure all motor housing screws are snug.
	<input type="checkbox"/> Ensure the screws that attach the fan blade arm to the motor hub are tight.
	<input type="checkbox"/> Ensure wire nut connections are not rattling against each other or the interior wall of the switch housing.
	<input type="checkbox"/> Allow a 24-hour "breaking-in" period. Most noises associated with a new fan disappear during this time.
	<input type="checkbox"/> If using the ceiling light kit, ensure the screws securing the glassware are tight. Check that the light bulb is also secure.
	<input type="checkbox"/> Ensure there is a short distance from the ceiling to the canopy. It should not touch the ceiling.
	<input type="checkbox"/> Ensure your ceiling box is secure and rubber isolator pads are used between the mounting bracket and outlet box.
The fan wobbles.	<input type="checkbox"/> Check that all blade and blade arm screws are secure.
	<input type="checkbox"/> Most fan wobble problems are caused when blade levels are unequal. Check this level by selecting a point on the ceiling above the tip of one of the blades. Measure from a point on the center of each blade to the point on the ceiling. Rotate the fan until the next blade is positioned for measurement. Repeat for each blade. Measurements deviation should be within 1/8 in. Run the fan for 10 minutes.
	<input type="checkbox"/> Use the enclosed blade balancing kit if the blade wobble is still noticeable.

# Service Parts



Part	Description
A	Blade
B	Blade bracket
C	Mounting bracket
D	Fan motor assembly
E	Fan housing
F	Light kit assembly
G	Glass shade

Part	Description
AA	Blade screw
BB	Fiber washer
CC	Blade bracket screw
DD	Plastic wire nut
EE	Pull chain fob
FF	Balancing kit
GG	60W A15C bulb

Questions, problems, missing parts?  
Before returning to the store, call Customer Service

**1-877-527-0313**

**HOMEDEPOT.COM**

Retain this manual for future use.