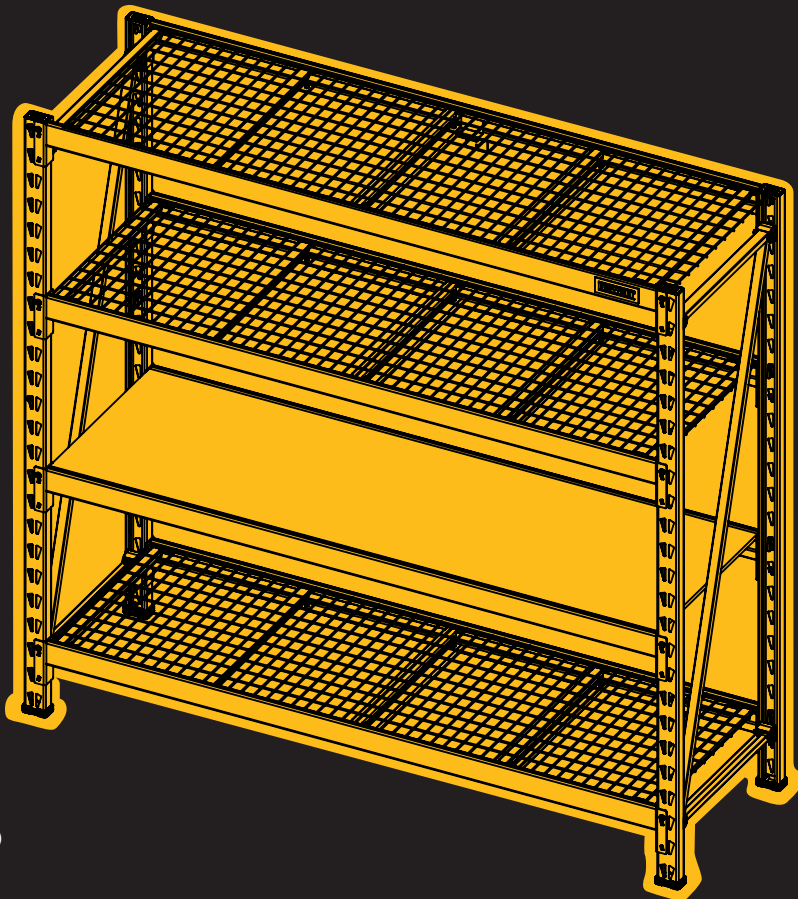


DEWALT®

TITAN INDUSTRIAL RACK 6-FOOT TALL / 4-SHELF



DXST10000

IMPORTANT:

Please read this manual carefully before assembling this storage rack and save it for reference

**INSTRUCTION
MANUAL**

TABLE OF CONTENTS

TECHNICAL SPECIFICATIONS	4
SAFETY	5
PARTS LIST	6
ASSEMBLY	8
OPTIONS	13
WARRANTY	14

**SAVE THESE INSTRUCTIONS**

This manual contains important safety and operating instructions. Read all instructions and follow them with use of this product.

TECHNICAL SPECIFICATIONS

TOTAL CAPACITY	10,000 lb (4,535.9 kg) <small>*WHEN WEIGHT IS EVENLY DISTRIBUTED</small>
CAPACITY PER SHELF	2,500 lb (1,133.9 kg) <small>*WHEN WEIGHT IS EVENLY DISTRIBUTED</small>
HEIGHT	72" (182.8 cm)
WIDTH	77" (195 cm)
DEPTH	24" (61 cm)
WEIGHT	180.78 lb (82 kg)

GENERAL SAFETY

- Keep work area clean and dry.
- Use correct/recommended tools for the job.
- Never leave tools unattended.
- Never force a part into place.
- Wear safety apparel.
- Wear safety glasses/goggles.
- Never crawl, sit, stand, or climb on a rack.
- Keep small parts away from children. Never leave a small child unattended while assembling.
- Always use common sense – your personal safety is your responsibility.

SPECIFIC SAFETY FOR WALL MOUNT BRACKET

- Serious or fatal crashing injuries can occur from furniture tipping over. To prevent this, the rack must be secured to a wall, especially in earthquake-prone environments, where surfaces are uneven, and where children and/or pets are present.
- Different wall materials require different types of fasteners. Use fasteners suitable for your specific type of wall. If you are uncertain about what type of fasteners to use, then please contact your local hardware store.

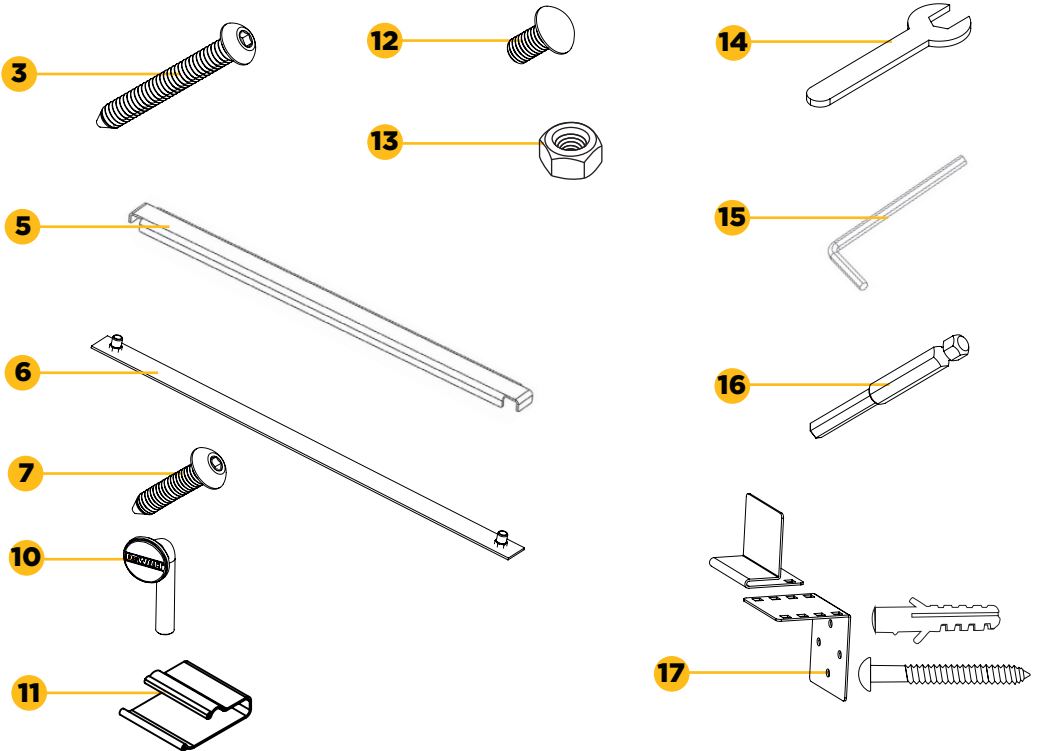
DO NOT EXCEED THE FOLLOWING WEIGHT LIMITS FOR THIS RACK

- Maximum load for each shelf: Up to 2,500 lb (1,133.9 kg) when weight is evenly distributed. It is recommended that the heaviest load be placed on the bottom shelf.



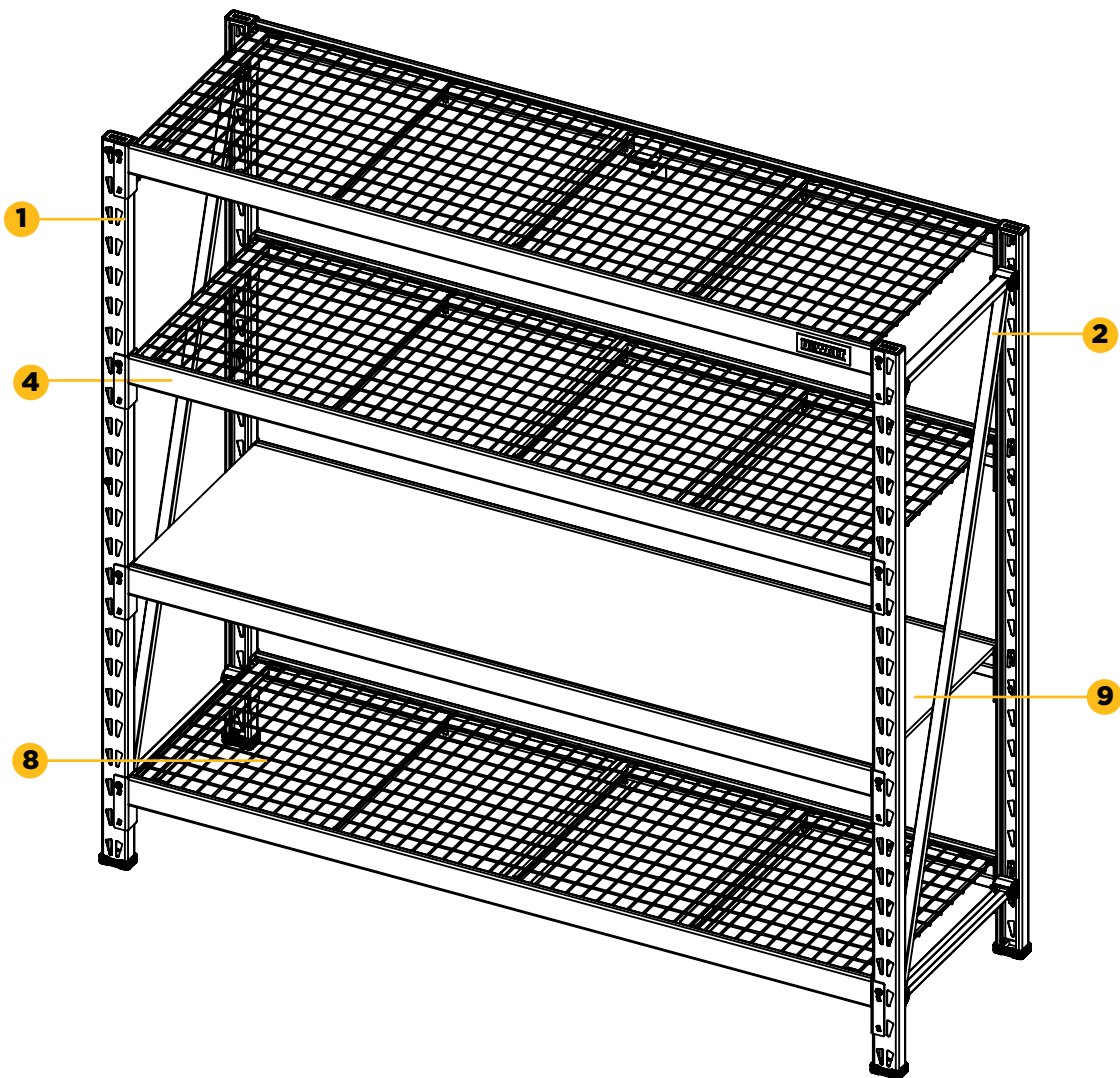
- *Save all warnings and instructions for future reference.*
- *This manual contains important safety and assembly instructions. Read all instructions and follow them with the use of this product.*

No.	Description	Qty.	No.	Description	Qty.
1	Vertical Beam	2	10	Locking Shelf Pin	16
2	Pre-Bolted Vertical Assembly	2	11	Locking Grid Clip	12
3	Vertical Assembly Bolt	4	12	Carriage Bolt	2
4	Crossbeam	8	13	10 mm Nut	2
5	Shelf Support Strap	20	14	10 mm Wrench	1
6	Safety Strap With Weld Nut	12	15	4 mm Hex Key	1
7	Safety Strap Bolt	24	16	4 mm Hex Bit	1
8	Wire Grid	3	17	Wall Mount Bracket Assembly	1
9	Laminate Deck	1			



BEFORE YOU BEGIN:

- Read all instructions thoroughly.
- Remove all components from the box, and lay them on the floor in an orderly fashion.
- Keep this information for further reference.



Tools Required for Rack Assembly: 4 mm Hex Key (included) OR 4 mm Hex Bit (included); Rubber Mallet (not included)

EXPANDABLE UPRIGHT FRAME INSTRUCTIONS

- Note: For ease of assembly, two (2) Vertical Beams feature pre-bolted horizontal and diagonal beams.

STEP 1

- Place one (1) Vertical Beam and one (1) Pre-Bolted Vertical Beam on the floor, parallel to one another (about 24"/60.9 cm apart). The widest part of the teardrop-shaped hole pattern on each beam should be facing upward (or away from you).

STEP 2

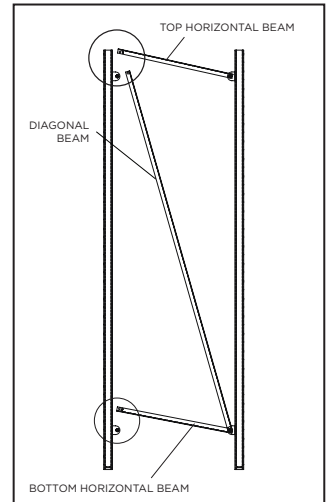
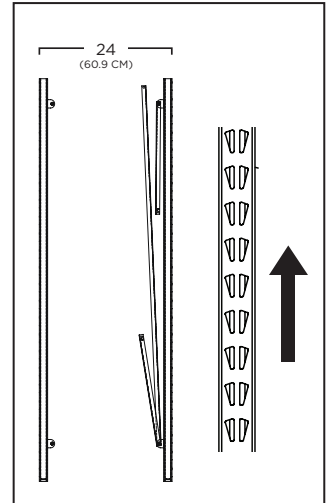
- Take the free end of the diagonal beam and insert it into the free end of the top horizontal beam. Align the holes. Insert both beams into the U-shaped bracket at the top of the opposing Vertical Beam, and align the holes. Using the included hex key or hex bit, thread a vertical assembly bolt through the holes and into the weld nut that is attached to the U-shaped bracket. Do not fully tighten the bolt.

STEP 3

- Swing out the bottom horizontal beam, and insert it into the U-shaped bracket at the bottom of the opposing Vertical Beam. Thread a vertical assembly bolt through the holes and into the weld nut that is attached to the U-shaped bracket. Do not fully tighten the bolt.

STEP 4

- Repeat Steps 1-3 to assemble the second upright frame. Once both are assembled, fully tighten the bolts on all four corners. Be careful not to over-tighten the bolts; there should be no deformation of the U-shaped brackets and/or horizontal beams.

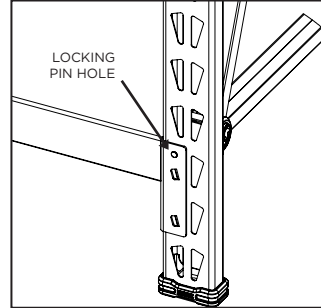


CROSSBEAM INSTRUCTIONS

- Note: It is recommended for one person to hold the upright frames in place while a second person installs the crossbeams.

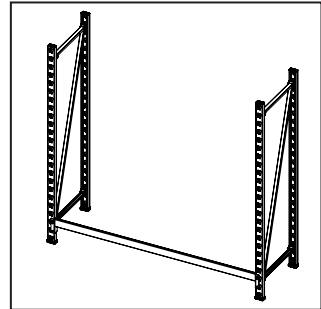
STEP 1

- There is a set of locking tabs at both ends of every crossbeam. To begin assembly, take one crossbeam and insert the tabs into two of the holes on the lower portion of one upright frame. Engage the locking tabs into the holes using a downward motion. The locking pin hole should be at the top. Make sure the end of the crossbeam is flush against the upright frame.



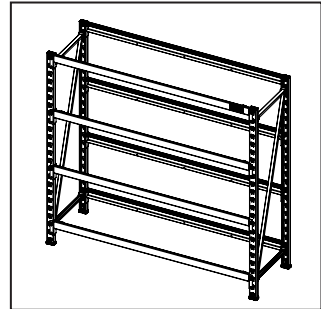
STEP 2

- Repeat for the opposite side of the upright frame. Tap the ends of the crossbeam closest to the upright frames with a rubber mallet until fully seated. The crossbeam and locking tabs should easily slip into place. If they do not, then recheck the alignment of the teardrop-shaped holes and tabs. Too much force may damage the interlock between the crossbeam and upright frame.



STEP 3

- Using the methods listed above, install another crossbeam to the opposite side of the upright frames, parallel to the first crossbeam you installed. Make sure both crossbeams are at the same level.



STEP 4

- Continue by installing the last three sets of crossbeams to the upright frames. Make sure the crossbeams are attached at the same level on both sides.

WARNING!



- *Serious or fatal crashing injuries can occur from furniture tipping over. To prevent this, the rack must always be secured to a wall, especially in earthquake-prone environments, where surfaces are uneven, and where children and/or pets are present.*

SHELF SUPPORT AND SAFETY STRAP INSTRUCTIONS

- Note: There are five (5) Shelf Support Straps and three (3) Safety Straps with Weld Nuts for every set of crossbeams.

STEP 1

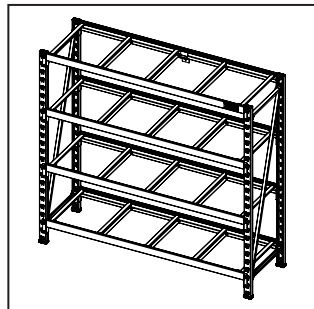
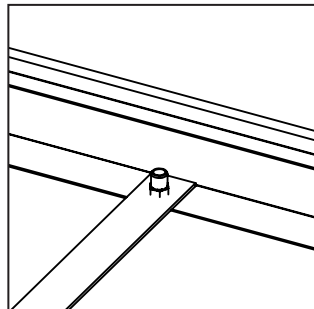
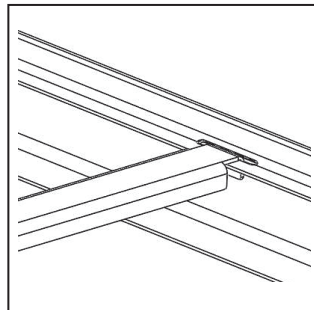
- Starting with the lowest set of crossbeams, place one shelf support strap perpendicular to the crossbeams and insert each end into the slots on each side of the crossbeam.

STEP 2

- Continue aligning the remaining four supports perpendicularly across the beams, and secure them into place. Repeat for the remaining three sets of crossbeams.

STEP 3

- Starting at the bottom of the rack, place the safety straps between the crossbeams where the two sets of pre-drilled holes are. Use a safety strap bolt to fasten the safety straps to the crossbeams, and use the hex key or hex bit to tighten completely. Repeat for the remaining three sets of crossbeams.

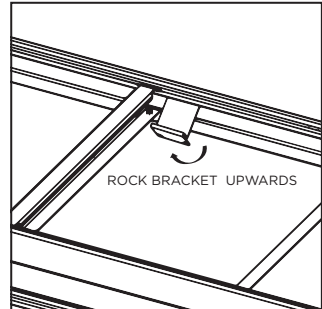


WALL MOUNTING INSTRUCTIONS

- Note: Drywall anchors and anchor screws are included with this rack; however, different wall materials require different types of fasteners. Use fasteners suitable for your specific type of wall. If you are uncertain about what type of fasteners to use, then please contact your local hardware store.

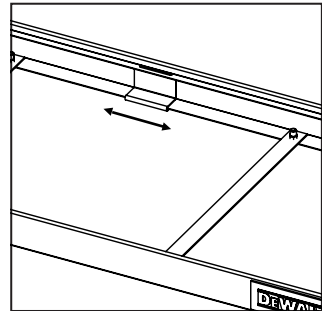
STEP 1

- Take the U-shaped bracket and rock it up at an angle to attach it to the bottom inner channel of the crossbeam. Once attached, the back portion will sit flush against the inside of the crossbeam.



STEP 2

- Once attached, the U-shaped bracket can be moved from side to side (in between the two safety straps). This allows for it to be attached to a 2 x 4 in the wall.

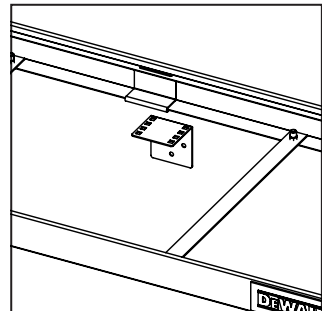


STEP 3

- The L-shaped bracket has two sets of four square holes that allow you to adjust the distance of the rack to the wall. Use two carriage bolts and two 10 mm nuts to attach the L-shaped bracket to the bottom of the U-shaped bracket.

STEP 4

- Position the rack so the flat end of the L-shaped bracket is touching the wall. Use a pencil to mark the location of the four holes on the wall. Use the included drywall anchors, anchor screws, and the appropriate tools if you're securing the rack to drywall only. Be sure to follow standard instructions for installing anchor screws.



WARNING!

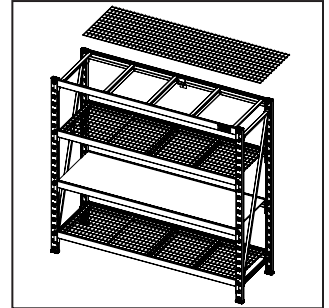
- *Serious or fatal crashing injuries can occur from furniture tipping over. To prevent this, the rack must be secured to a wall, especially in earthquake-prone environments, where surfaces are uneven, and where children and/or pets are present.*

LAMINATE DECK INSTRUCTIONS

- Please the first laminate deck onto the top ridge of any set of crossbeams. If seated properly, it will “pop” into place and lay evenly.

WIRE GRID INSTRUCTIONS

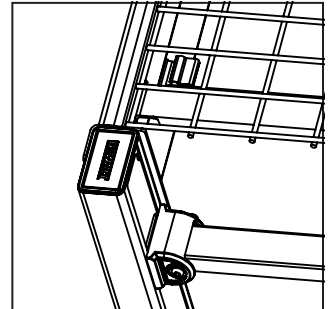
- Note: Each wire grid consists of two sides. On one side, the wire runs the length of the crossbeams (the long side). On the opposite side, the wire runs the width between the set of crossbeams (the short side). We recommend placing the short side on top, or facing upward, to make sliding objects on and off the shelf easier.

**STEP 1**

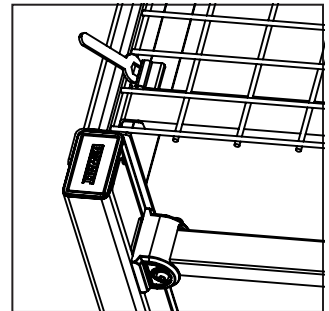
- Place the wire grid onto the top ridge of any open set of crossbeams. If seated properly, it will “pop” into place and lay evenly.

STEP 2

- Take a locking grid clip, and place it at the outmost corner of the shelf. Make sure the rolled edge with the groove is facing upward.

**STEP 3**

- With one hand, apply pressure to the back of the clip. With your free hand, use the included wrench to spread the tine of the clip up and over the “long” wire that is underneath.

**STEP 4**

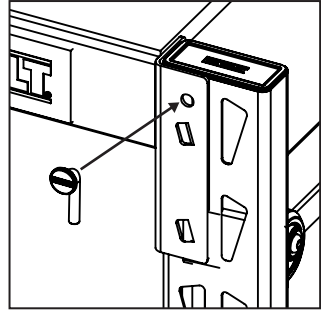
- Pull back on the wrench. The grooved channel in the clip should now match up with the wire decking, which will help secure it to the shelf beam.

STEP 5

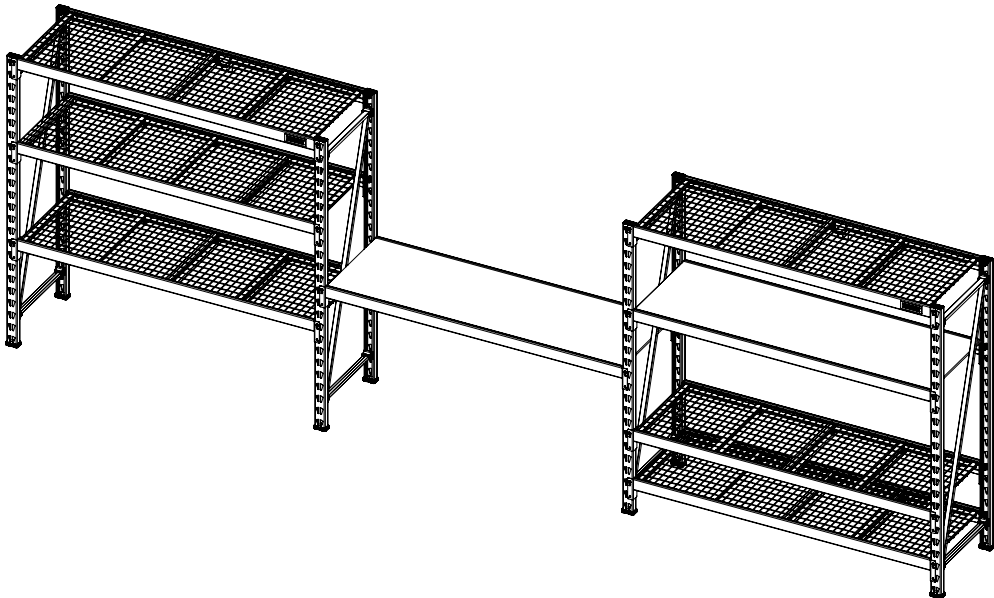
- Repeat Steps 2-4 for the remaining three corners of the wire grid. Repeat the entire set of instructions to finish installing the remaining two grids and locking clips.

LOCKING SHELF PIN INSTRUCTIONS

- There is a locking pin hole at both ends of every crossbeam. This is where the locking shelf pins are to be installed. If a pin does not easily slip into place, moderately tap the end of the crossbeam closest to the upright frame to fully seat the locking tabs.



MAXIMIZE YOUR DEWALT STORAGE OPTIONS



NOTE: Connect multiple racks together to create the ultimate storage solution.

* Additional racks are sold separately.

ONE YEAR LIMITED WARRANTY

DEWALT will replace this industrial rack due to faulty materials or workmanship for one year from the date of purchase (please be sure to keep your receipt). This warranty does not cover part failure due to normal wear or rack abuse. This warranty does not apply to accessories or damage caused where repairs have been made or attempted. For further detail of warranty coverage, call 1-844-377-8451.

In addition to the warranty, DEWALT tools are covered by our:

90 DAY MONEY BACK GUARANTEE

If you are not completely satisfied with the performance of your DEWALT Industrial Rack for any reason, you can return it within 90 days from the date of purchase with a receipt for a full refund – no questions asked.

LATIN AMERICA: This warranty does not apply to products sold in Latin America. For products sold in Latin America, see country specific warranty information contained in the packaging, call the local company or see website for warranty information.

