

### LAVATORY FAUCET:

- Single Handle Deck Mount
- 1 or 3 Hole Sink Applications

### STANDARD SPECIFICATIONS:

- Maximum 1.0 gpm @ 60 psi, 3.8 L/min @ 414 kPa.
- Solid brass casted body.
- One or three hole mount (escutcheon optional, included).
- ceramic cartridge
- Red/Blue indicator markings
- Polymer braided flexible supply hose with 9/16 - 24 UNEF thread connection - 29 7/16" (747mm) long
- Models have drain with pop-up type fitting with plated lange and stopper.

### WARRANTY:

- Lifetime limited warranty on parts (other than electronic parts and batteries) and finishes; or, for commercial users, for 5 years from the date of purchase.
- 5 year limited warranty on electronic parts (other than batteries); or for commercial users, for 1 year from the date of purchase. No warranty is provided on batteries.



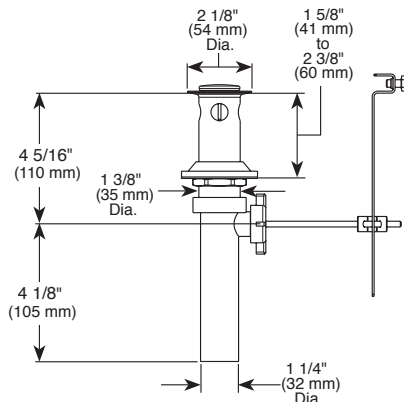
### COMPLIES WITH:

- ASME A112.18.1 / CSA B125.1
- ASME A112.18.2 / CSA B125.2



Indicates compliance to ICC / ANSI A117.1

- EPA WaterSense®
- Verified compliant with 0.25% weighted average Pb content regulations



▲ Designate proper finish suffix