

MILLBRIDGE Twin Handle Tub & Shower Faucet

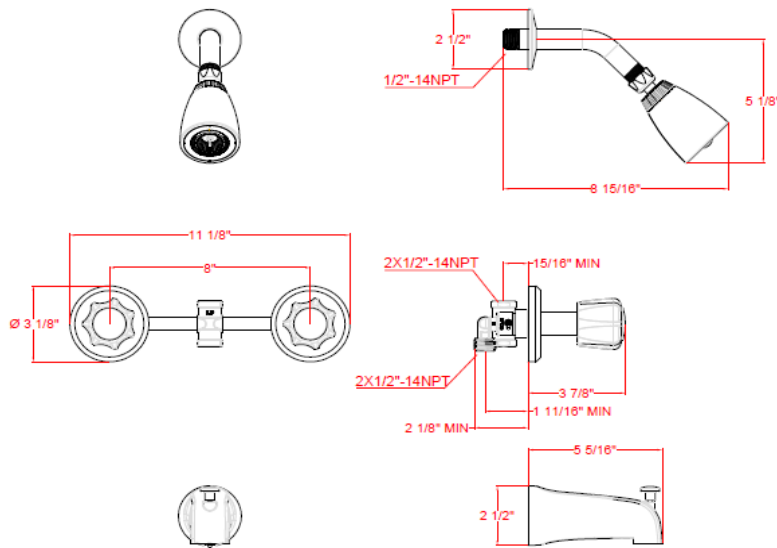


Specifications

Material Content	Brass valve with 2 Acrylic handles, Zinc spout
Cartridge	Washerless Cartridge
Lever Handle Operation	(1/4) quarter turn stop
Spout	Diverter Spout
Reach (Shower)	8-15/16"
Max Waterflow (GPM)	2.5 GPM @ 80psi



Dimensions



Warranty & Compliances

Warranty	Lifetime Limited Warranty; Lifetime Limited Finish Warranty
IAPMO/UPC	CUPC compliant
ASME	ASME A112.18.1-05
CSA	CSA B125.1-05
ASSE	1016 standard (Pressure Balance Valve)
ADA	Compliant



Order Codes & Finishes/Colors

Polished Chrome

546184



Type:

Job:

Order Code:

Approvals:

Design House reserves the right to make changes in materials, specifications & models at any time. Design House also reserves the right to discontinue product without notice or obligation.