

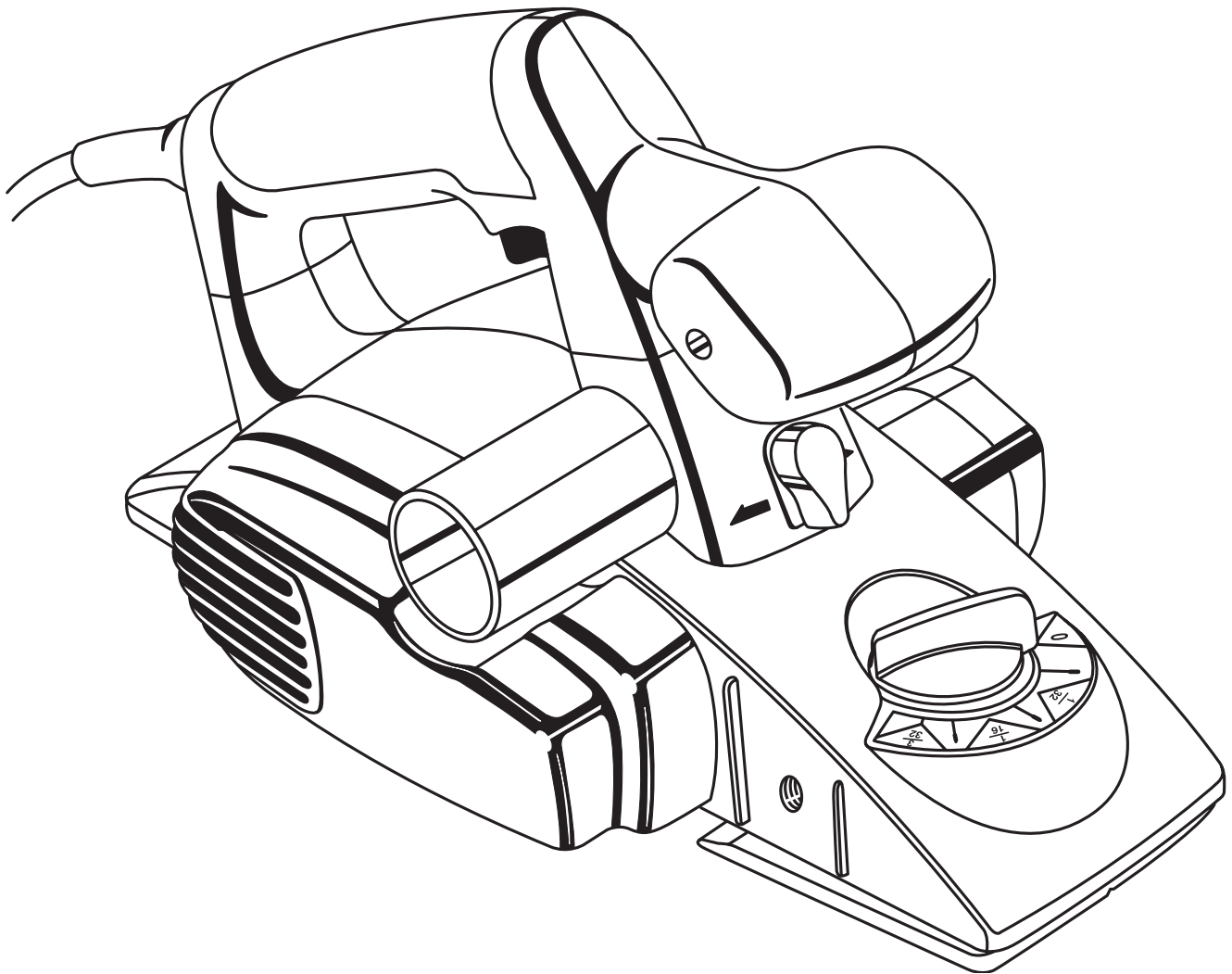


OPERATOR'S MANUAL

POWER PLANER

DOUBLE INSULATED

HPL51



Your planer has been engineered and manufactured to our high standard for dependability, ease of operation, and operator safety. When properly cared for, it will give you years of rugged, trouble-free performance.

WARNING: To reduce the risk of injury, the user must read and understand the operator's manual before using this product.

Thank you for your purchase.

SAVE THIS MANUAL FOR FUTURE REFERENCE

TABLE OF CONTENTS

■ Introduction	2
■ Warranty	2
■ General Safety Rules	3-4
■ Specific Safety Rules.....	4
■ Symbols.....	5-6
■ Electrical	7
■ Features.....	8
■ Assembly	9
■ Operation.....	10-13
■ Maintenance.....	14-16
■ Parts Ordering / Service	18

INTRODUCTION

This tool has many features for making its use more pleasant and enjoyable. Safety, performance, and dependability have been given top priority in the design of this product making it easy to maintain and operate.

WARRANTY

RYOBI® POWER TOOL - LIMITED TWO YEAR WARRANTY AND 30 DAY EXCHANGE POLICY

One World Technologies, Inc., warrants its RYOBI® power tools with the following conditions:

30-DAY EXCHANGE POLICY: During the first 30 days after date of purchase, you may either request service under this warranty or you may exchange any RYOBI® power tool which does not work properly due to defective workmanship or materials by returning the power tool to the dealer from which it was purchased. To receive a replacement power tool or requested warranty service, you must present proof of purchase and return all original equipment packaged with the original product. The replacement power tool will be covered by the limited warranty for the balance of the two year period from the date of the original purchase.

WHAT THIS WARRANTY COVERS: This warranty covers all defects in workmanship or materials in your RYOBI® power tool for a period of two years from the date of purchase. With the exception of batteries, power tool accessories are warranted for ninety (90) days. Batteries are warranted for two years.

HOW TO GET SERVICE: Just return the power tool, properly packaged and postage prepaid, to an Authorized Service Center. You can obtain the location of the Service Center nearest you by contacting a service representative at One World Technologies, Inc., P.O. Box 1207, Anderson, SC 29622-1207, by calling 1-800-525-2579 or by logging on to www.ryobitools.com. When you request warranty service, you must also present proof of purchase documentation, which includes the date of purchase (for example, a bill of sale). We will repair any faulty workmanship, and either repair or replace any defective part, at our option. We will do so without any charge to you. We will complete the work in a reasonable time, but, in any case, within ninety (90) days or less.

WHAT'S NOT COVERED: This warranty applies only to the original purchaser at retail and may not be transferred. This warranty only covers defects arising under normal usage and does not cover any malfunction, failure or defects resulting from misuse, abuse, neglect, alteration, modification or repairs by other than Authorized Service Centers. One World Technologies, Inc. makes no warranties, representations or promises as to the quality or performance of its power tools other than those specifically stated in this warranty.

ADDITIONAL LIMITATIONS: Any implied warranties granted under state law, including warranties of merchantability or fitness for a particular purpose, are limited to two years from the date of purchase. One World Technologies, Inc. is not responsible for direct, indirect, or incidental damages, so the above limitations and exclusions may not apply to you. This warranty gives you specific legal rights, and you may also have other rights which vary from state to state.

GENERAL SAFETY RULES



WARNING:


Read and understand all instructions. Failure to follow all instructions listed below, may result in electric shock, fire and/or serious personal injury.

SAVE THESE INSTRUCTIONS

WORK AREA

- **Keep your work area clean and well lit.** Cluttered benches and dark areas invite accidents.
- **Do not operate power tools in explosive atmospheres, such as in the presence of flammable liquids, gases, or dust.** Power tools create sparks which may ignite the dust or fumes.
- **Keep bystanders, children, and visitors away while operating a power tool.** Distractions can cause you to lose control.

ELECTRICAL SAFETY

- **Double insulated tools are equipped with a polarized plug (one blade is wider than the other). This plug will fit in a polarized outlet only one way. If the plug does not fit fully in the outlet, reverse the plug. If it still does not fit, contact a qualified electrician to install a polarized outlet. Do not change the plug in any way.** Double insulation  eliminates the need for the three-wire grounded power cord and grounded power supply system.
- **Avoid body contact with grounded surfaces such as pipes, radiators, ranges, and refrigerators.** There is an increased risk of electric shock if your body is grounded.
- **Don't expose power tools to rain or wet conditions.** Water entering a power tool will increase the risk of electric shock.
- **Do not abuse the cord. Never use the cord to carry the tools or pull the plug from an outlet. Keep cord away from heat, oil, sharp edges, or moving parts. Replace damaged cords immediately.** Damaged cords increase the risk of electric shock.
- **When operating a power tool outside, use an outdoor extension cord marked "W-A" or "W".** These cords are rated for outdoor use and reduce the risk of electric shock.

PERSONAL SAFETY

- **Stay alert, watch what you are doing and use common sense when operating a power tool. Do not use tool while tired or under the influence of drugs, alcohol, or medication.** A moment of inattention while operating power tools may result in serious personal injury.
- **Dress properly. Do not wear loose clothing or jewelry. Contain long hair. Keep your hair, clothing, and gloves away from moving parts.** Loose clothes, jewelry, or long hair can be caught in moving parts.

- **Avoid accidental starting. Be sure switch is off before plugging in.** Carrying tools with your finger on the switch or plugging in tools that have the switch on invites accidents.
- **Remove adjusting keys or wrenches before turning the tool on.** A wrench or a key that is left attached to a rotating part of the tool may result in personal injury.
- **Do not overreach. Keep proper footing and balance at all times.** Proper footing and balance enables better control of the tool in unexpected situations.
- **Use safety equipment. Always wear eye protection.** Dust mask, nonskid safety shoes, hard hat, or hearing protection must be used for appropriate conditions.
- **Do not wear loose clothing or jewelry. Contain long hair.** Loose clothes, jewelry, or long hair can be drawn into air vents.
- **Do not use on a ladder or unstable support.** Stable footing on a solid surface enables better control of the tool in unexpected situations.

TOOL USE AND CARE

- **Use clamps or other practical way to secure and support the workpiece to a stable platform.** Holding the work by hand or against your body is unstable and may lead to loss of control.
- **Do not force tool. Use the correct tool for your application.** The correct tool will do the job better and safer at the rate for which it is designed.
- **Do not use tool if switch does not turn it on or off.** Any tool that cannot be controlled with the switch is dangerous and must be repaired.
- **Disconnect the plug from power source before making any adjustments, changing accessories, or storing the tool.** Such preventive safety measures reduce the risk of starting the tool accidentally.
- **Store idle tools out of the reach of children and other untrained persons.** Tools are dangerous in the hands of untrained users.
- **Maintain tools with care. Keep cutting tools sharp and clean.** Properly maintained tools with sharp cutting edges are less likely to bind and are easier to control.
- **Check for misalignment or binding of moving parts, breakage of parts, and any other condition that may affect the tool's operation. If damaged, have the tool serviced before using.** Many accidents are caused by poorly maintained tools.
- **Use only accessories that are recommended by the manufacturer for your model.** Accessories that may be suitable for one tool, may become hazardous when used on another tool.
- **Keep the tool and its handle dry, clean and free from oil and grease. Always use a clean cloth when cleaning. Never use brake fluids, gasoline, petroleum-based products, or any strong solvents to clean your tool. Following this rule will reduce the risk of loss of control and deterioration of the enclosure plastic.**

GENERAL SAFETY RULES

SERVICE











- **Tool service must be performed only by qualified repair personnel.** Service or maintenance performed by unqualified personnel may result in a risk of injury.
- **When servicing a tool, use only identical replacement parts. Follow instructions in the Maintenance section of this manual.** Use of unauthorized parts or failure to follow Maintenance Instructions may create a risk of electric shock or injury.

SPECIFIC SAFETY RULES

- **Wait for the cutter to stop before setting the tool down.** An exposed cutter may engage the surface leading to possible loss of control and serious injury.
- **Use clamps or another practical way to secure and support the workpiece to a stable platform.** Holding the work by hand or against your body leaves it unstable and may lead to loss of control.
- **Hold tool by insulated gripping surfaces when performing an operation where the cutting tool may contact hidden wiring or its own cord.** Contact with a “live” wire will make exposed metal parts of the cutting tool “live” and shock the operator.
- **Know your power tool. Read operator’s manual carefully. Learn its applications and limitations, as well as the specific potential hazards related to this tool.** Following this rule will reduce the risk of electric shock, fire, or serious injury.
- **Always wear safety glasses. Everyday eyeglasses have only impact-resistant lenses; they are NOT safety glasses.** Following this rule will reduce the risk of serious personal injury.
- **Protect your lungs. Wear a face or dust mask if the operation is dusty.** Following this rule will reduce the risk of serious personal injury.
- **Protect your hearing. Wear hearing protection during extended periods of operation.** Following this rule will reduce the risk of serious personal injury.
- **Inspect tool cords periodically and, if damaged, have repaired at your nearest Authorized Service Center. Constantly stay aware of cord location.** Following this rule will reduce the risk of electric shock or fire.
- **Check damaged parts. Before further use of the tool, a guard or other part that is damaged should be carefully checked to determine that it will operate properly and perform its intended function. Check for alignment of moving parts, binding of moving parts, breakage of parts, mounting, and any other conditions that may affect its operation. A guard or other part that is damaged should be properly repaired or replaced by an authorized service center.** Following this rule will reduce the risk of shock, fire, or serious injury.
- **Make sure your extension cord is in good condition. When using an extension cord, be sure to use one heavy enough to carry the current your product will draw. A wire gauge size (A.W.G.) of at least 16 is recommended for an extension cord 50 feet or less in length. A cord exceeding 100 feet is not recommended. If in doubt, use the next heavier gauge. The smaller the gauge number, the heavier the cord. An undersized cord will cause a drop in line voltage resulting in loss of power and overheating.**
- **Inspect for and remove all nails from lumber before using this tool.** Following this rule will reduce the risk of serious personal injury.
- **Save these instructions.** Refer to them frequently and use them to instruct others who may use this tool. If you loan someone this tool, loan them these instructions also.




SYMBOLS

Some of the following symbols may be used on this tool. Please study them and learn their meaning. Proper interpretation of these symbols will allow you to operate the tool better and safer.

SYMBOL	NAME	DESIGNATION/EXPLANATION
V	Volts	Voltage
A	Amperes	Current
Hz	Hertz	Frequency (cycles per second)
W	Watt	Power
min	Minutes	Time
~	Alternating Current	Type of current
≡	Direct Current	Type or a characteristic of current
n_0	No Load Speed	Rotational speed, at no load
	Class II Construction	Double-insulated construction
.../min	Per Minute	Revolutions, strokes, surface speed, orbits etc., per minute
	Wet Conditions Alert	Do not expose to rain or use in damp locations.
	Read The Operator's Manual	To reduce the risk of injury, user must read and understand operator's manual before using this product.
	Eye Protection	Always wear safety goggles or safety glasses with side shields and, as necessary, a full face shield when operating this product.
	Safety Alert	Precautions that involve your safety.
	No Hands Symbol	Failure to keep your hands away from the blade will result in serious personal injury.
	No Hands Symbol	Failure to keep your hands away from the blade will result in serious personal injury.
	No Hands Symbol	Failure to keep your hands away from the blade will result in serious personal injury.
	No Hands Symbol	Failure to keep your hands away from the blade will result in serious personal injury.
	Hot Surface	To reduce the risk of injury or damage, avoid contact with any hot surface.

SYMBOLS

The following signal words and meanings are intended to explain the levels of risk associated with this product.

SYMBOL	SIGNAL	MEANING
	DANGER:	Indicates an imminently hazardous situation, which, if not avoided, will result in death or serious injury.
	WARNING:	Indicates a potentially hazardous situation, which, if not avoided, could result in death or serious injury.
	CAUTION	Indicates a potentially hazardous situation, which, if not avoided, may result in minor or moderate injury.
	CAUTION	(Without Safety Alert Symbol) Indicates a situation that may result in property damage.

SERVICE

Servicing requires extreme care and knowledge and should be performed only by a qualified service technician. For service we suggest you return the product to the nearest **AUTHORIZED SERVICE CENTER** for repair. When servicing, use only identical replacement parts.



WARNING:

To avoid serious personal injury, do not attempt to use this product until you read thoroughly and understand completely the operator's manual. If you do not understand the warnings and instructions in the operator's manual, do not use this product. Call Ryobi customer service for assistance.



WARNING:



The operation of any power tool can result in foreign objects being thrown into your eyes, which can result in severe eye damage. Before beginning power tool operation, always wear safety goggles or safety glasses with side shields and, when needed, a full face shield. We recommend Wide Vision Safety Mask for use over eyeglasses or standard safety glasses with side shields. Always use eye protection which is marked to comply with ANSI Z87.1.

SAVE THESE INSTRUCTIONS

ELECTRICAL

DOUBLE INSULATION

Double insulation is a concept in safety in electric power tools, which eliminates the need for the usual three-wire grounded power cord. All exposed metal parts are isolated from the internal metal motor components with protecting insulation. Double insulated tools do not need to be grounded.

WARNING:

The double insulated system is intended to protect the user from shock resulting from a break in the tool's internal insulation. Observe all normal safety precautions to avoid electrical shock.

NOTE: Servicing of a tool with double insulation requires extreme care and knowledge of the system and should be performed only by a qualified service technician. For service, we suggest you return the tool to your nearest authorized service center for repair. Always use original factory replacement parts when servicing.

ELECTRICAL CONNECTION

This tool has a precision-built electric motor. It should be connected to a **power supply that is 120 volts, 60 Hz, AC only (normal household current)**. Do not operate this tool on direct current (DC). A substantial voltage drop will cause a loss of power and the motor will overheat. If the tool does not operate when plugged into an outlet, double-check the power supply.

EXTENSION CORDS

When using a power tool at a considerable distance from a power source, be sure to use an extension cord that has the capacity to handle the current the tool will draw. An undersized cord will cause a drop in line voltage, resulting in overheating and loss of power. Use the chart to determine the minimum wire size required in an extension cord. Only round jacketed cords listed by Underwriter's Laboratories (UL) should be used.

When working outdoors with a tool, use an extension cord that is designed for outside use. This type of cord is designated with "WA" on the cord's jacket.

Before using any extension cord, inspect it for loose or exposed wires and cut or worn insulation.

**Ampere rating (on tool data plate)

Cord Length	Wire Size (A.W.G.)					
	0-2.0	2.1-3.4	3.5-5.0	5.1-7.0	7.1-12.0	12.1-16.0
25'	16	16	16	16	14	14
50'	16	16	16	14	14	12
100'	16	16	14	12	10	—

**Used on 12 gauge - 20 amp circuit.

NOTE: AWG = American Wire Gauge

WARNING:

Keep the extension cord clear of the working area. Position the cord so that it will not get caught on lumber, tools or other obstructions while you are working with a power tool. Failure to do so can result in serious personal injury.

WARNING:

Check extension cords before each use. If damaged replace immediately. Never use tool with a damaged cord since touching the damaged area could cause electrical shock resulting in serious injury.

FEATURES

PRODUCT SPECIFICATIONS

Maximum Planing Depth	3/32 in.	No Load Speed	16,000/min.
Maximum Planing Width	3-1/4 in.	Input	120 V, 60 Hz, AC only, 5.0 Amps
Maximum Rabbet Depth	7/16 in.	Net Weight.....	6 lbs.

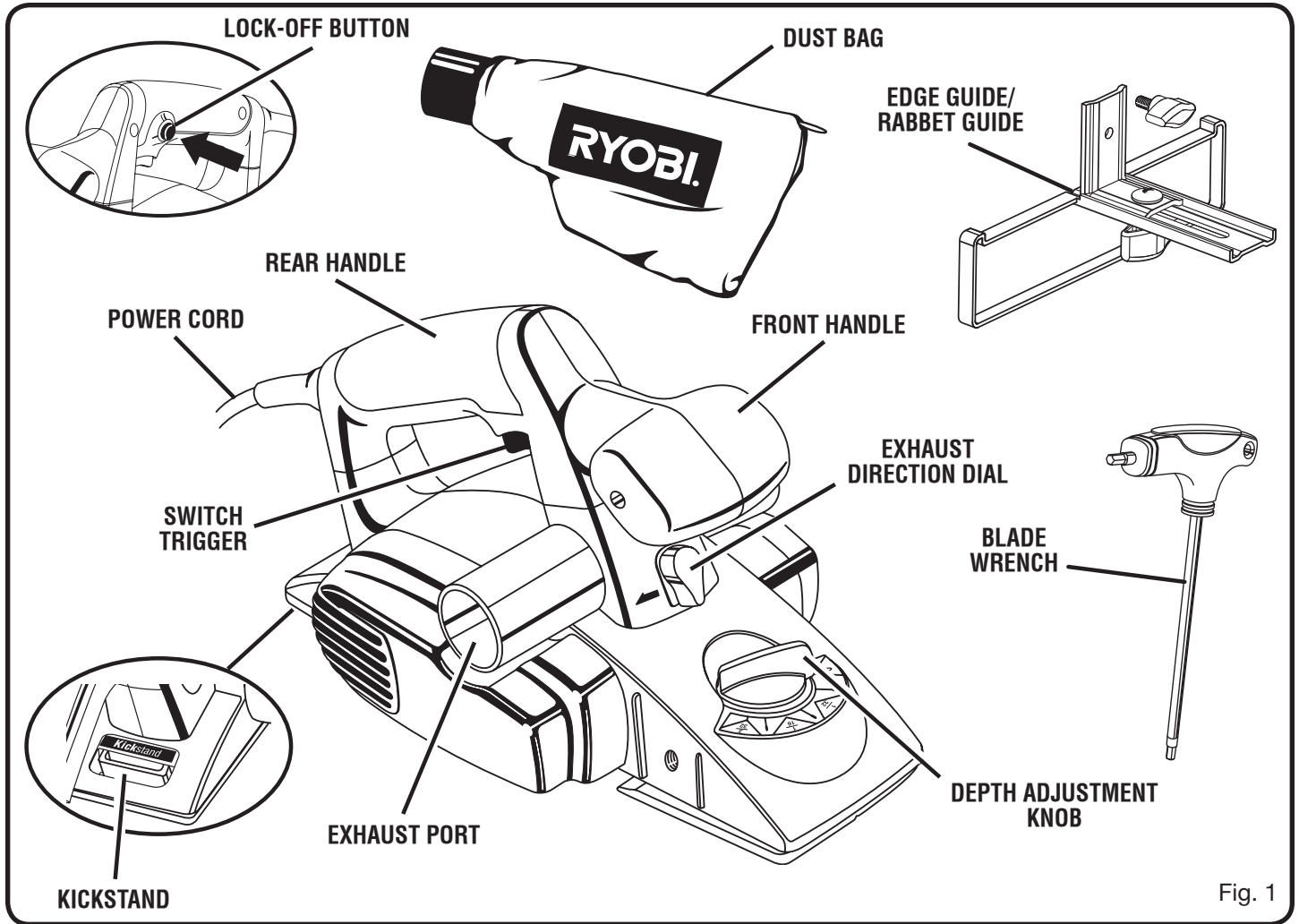


Fig. 1

KNOW YOUR PLANER

See Figure 1.

The safe use of this product requires an understanding of the information on the tool and in this operator's manual as well as a knowledge of the project you are attempting. Before use of this product, familiarize yourself with all operating features and safety rules.

DEPTH ADJUSTMENT KNOB

Adjust the planing depth from 0 to 3/32 in. in 1/64 in. increments.

DUST BAG

The dust bag attaches to the planer and helps keep the work area free of dust and debris.

EDGE/RABBET GUIDE

The edge guide included allows you to plane edges and make rabbet cuts.

KICKSTAND

The kickstand allows you to set the planer down on a workpiece or clear table area without damaging the workpiece or the blades.

LOCK-OFF BUTTON

The lock-off button locks the switch trigger in the **OFF** position when the switch trigger is released.

ASSEMBLY

UNPACKING

This product has been shipped completely assembled.

- Carefully remove the tool and any accessories from the box. Make sure that all items listed in the packing list are included.
- Inspect the tool carefully to make sure no breakage or damage occurred during shipping.
- Do not discard the packing material until you have carefully inspected and satisfactorily operated the tool.
- If any parts are damaged or missing, please call 1-800-525-2579 for assistance.

PACKING LIST

Planer
Blades (2)
Blade Wrench
Edge/Rabbit Guide
Dust Bag
Case
Operator's Manual

WARNING:

If any parts are damaged or missing do not operate this tool until the parts are replaced. Failure to heed this warning could result in serious personal injury.

WARNING:

Do not attempt to modify this tool or create accessories not recommended for use with this tool. Any such alteration or modification is misuse and could result in a hazardous condition leading to possible serious personal injury.

WARNING:

Do not connect to power supply until assembly is complete. Failure to comply could result in accidental starting and possible serious personal injury.

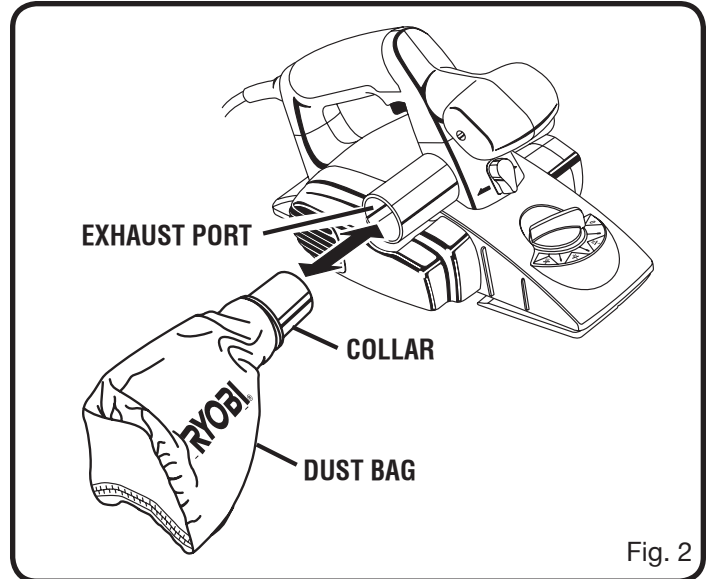


Fig. 2

ATTACHING THE DUST BAG

See Figure 2.

- Unplug the planer.
- Slide the collar of the dust bag onto the exhaust port.
NOTE: To remove the dust bag, pull it straight out of the exhaust port.

CAUTION:

The dust bag fills quickly. Empty it often to prevent damage to the product.

OPERATION

⚠ WARNING:

Do not allow familiarity with tools to make you careless. Remember that a careless fraction of a second is sufficient to inflict serious injury.

⚠ WARNING:

Always wear safety goggles or safety glasses with side shields when operating power tools. Failure to do so could result in objects being thrown into your eyes resulting in possible serious injury.

⚠ WARNING:

Do not use any attachments or accessories not recommended by the manufacturer of this tool. The use of attachments or accessories not recommended can result in serious personal injury.

APPLICATIONS

You may use this tool for the purposes listed below:

- Planing the edge of a wooden door or shelf
- Planing the edge of a piece of lumber
- Making rabbet cuts in wood

ADJUSTING THE EXHAUST DIRECTION

See Figure 3.

Control the direction of debris when working in confined areas. Change the direction of the exhaust to either the right or left.

- Unplug the planer.
- Adjust the exhaust direction and dust bag:
- *To adjust exhaust to the right:* Move the exhaust direction knob to the right and install the dust bag on the right exhaust port.
- *To adjust exhaust to the left:* Move the exhaust direction knob to the left and install the dust bag on the left exhaust port.

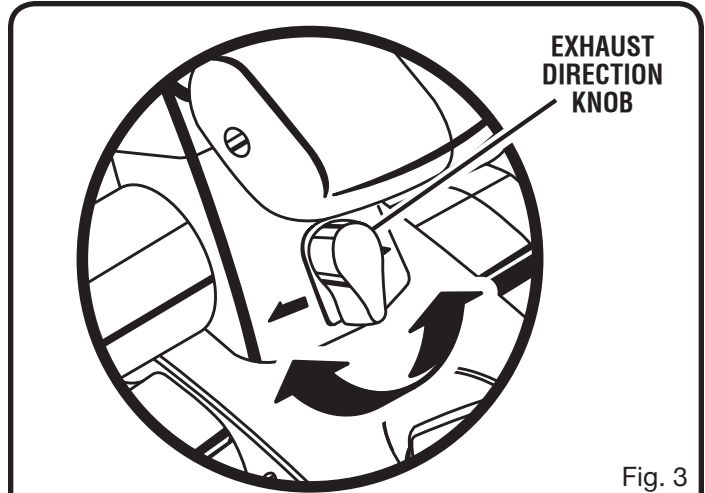


Fig. 3

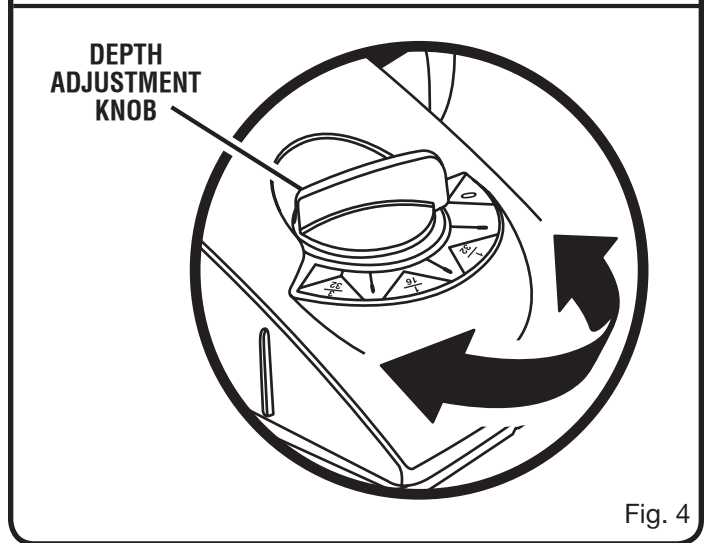


Fig. 4

PLANING DEPTH

See Figure 4.

When you begin planing a rough piece of material, the planer will only remove the high spots at first. Successive passes will remove more and more material. By removing no more than 1/64 in. with each pass, you will achieve the smoothest finish, even from the roughest workpiece.

Always begin by making test cuts in scrap wood to make sure that the planer is removing the desired amount of wood.

To set the planing depth:

- Unplug the planer.
- Turn the depth adjustment knob clockwise to reach the maximum depth of cut.

NOTE: To protect the blades during storage, transporting, etc., set the depth adjustment to 0.

OPERATION

STARTING/STOPPING THE PLANER

See Figure 5.

- To start the planer. Push the lock-off button, and then depress the switch trigger.
- To stop the planer. Release the switch trigger.

OPERATING THE PLANER

- Clamp the work securely.
- Support the work so that the operation is on your right.

⚠ WARNING:

Work moving during a cut could result in loss of control of the planer and cause serious injury.

- Hold the planer with both hands. Hold the front handle with your left hand and the rear handle with your right hand.
- Plane slowly and empty the dust bag often.

CAUTION:

Planing too fast results in a poor finish and increases chip build-up in the chip exhaust. Chip build-up restricts air flow and can cause motor overheating.

⚠ WARNING:

Do not attempt to clear a blocked chip exhaust until the blades stop and you have disconnected the product from the power source. Failure to heed this warning can result in serious personal injury.

- Keep the cord away from the work area. Do not allow the cord to hang on the work while planing.

⚠ WARNING:

Using the planer with a damaged cord could cause electrical shock resulting in serious injury.

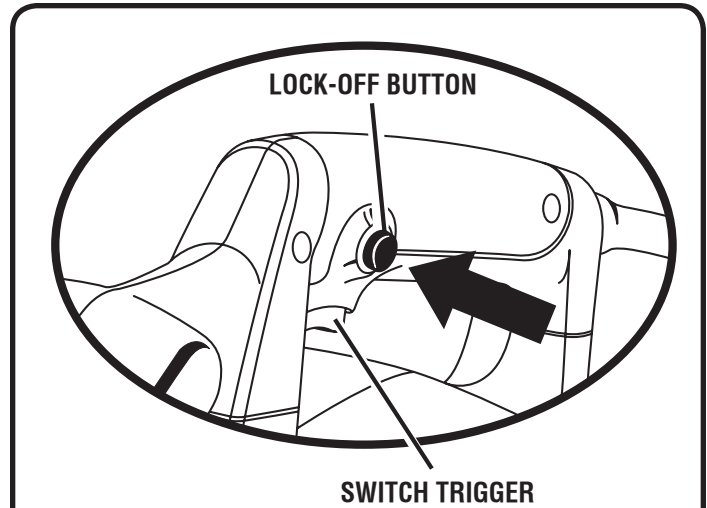
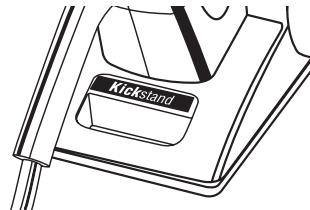


Fig. 5

**THE KICKSTAND
PIVOTS DOWN WHEN THE
PLANER IS NOT IN USE**



**THE KICKSTAND
RETRACTS WHEN THE
PLANER IS IN USE**

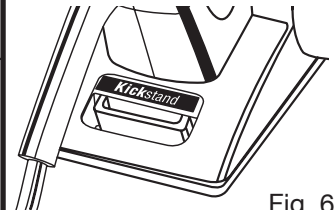


Fig. 6

KICKSTAND

See Figure 6.

The planer has been equipped with an automatic pivoting kickstand that will prevent the blades from contacting the workbench when not in use. As you begin the planing operation, the kickstand will automatically retract as it passes over the edge of the workpiece. When setting the planer down on the workbench, the kickstand will automatically pivot down to prevent the blade from making any contact.

⚠ WARNING:

Make sure the kickstand operates freely at all times and that the area surrounding the kickstand is clear of debris. Failure to do so could result in serious personal injury.

OPERATION

PLANING

See Figure 7.

- Clamp the work securely.
- Adjust the planing depth. Refer to **Adjusting the Planing Depth** earlier in this manual.
- Hold the front handle with your left hand and the rear handle with your right hand.

WARNING:

Always use two hands on the tool for any operation; this assures that you maintain control and avoid risk of serious personal injury. Always properly support and clamp the work so that both hands are free to control the planer.

- Place the front shoe on the edge of work to be planed.
NOTE: Make sure the blades are not touching the work.
- Apply pressure to the front handle so that the front shoe is completely flat on the work.
- Start the planer and let the motor reach maximum speed.
- Hold the planer firmly and push it forward into the work, using a slow, steady motion.
- Apply downward pressure toward the rear handle as you reach the end of the planed cut. This helps keep the rear section of the planer base in contact with the work and prevents the front of the planer from gouging the cut.

WARNING:

Be careful to avoid hitting nails during planing operation; this action could nick, crack, or damage blades.

NOTE: We suggest that you always keep an extra set of blades on hand. As soon as the blades in the planer show signs of becoming dull, replace them. The blades are reversible and can be reversed until both sides become dull.

CHAMFERING

See Figure 8.

The planer is designed with a chamfering groove in the front shoe to chamfer edges of boards as shown. Before making a cut on good lumber, practice cutting on scrap lumber to determine the amount to be removed.

- Clamp the work securely.
- Hold the front handle with your left hand and the rear handle with your right hand.
- Place the chamfering groove on the surface to be cut.

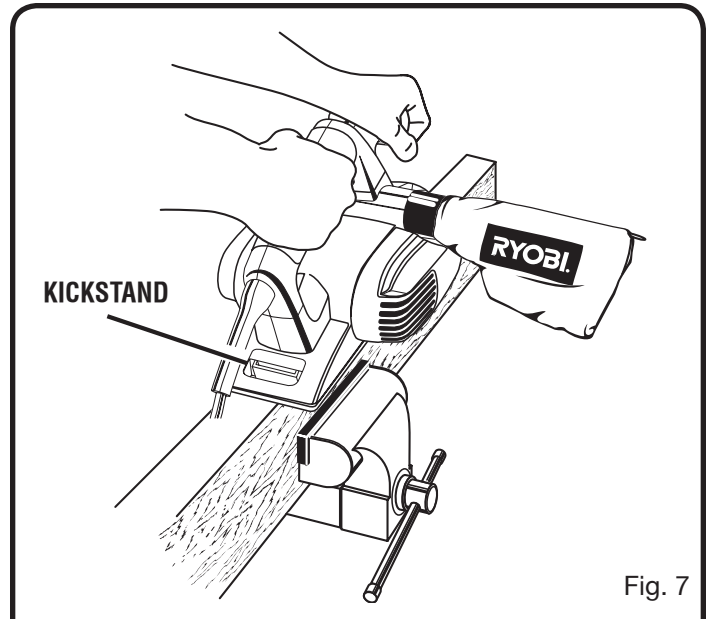


Fig. 7

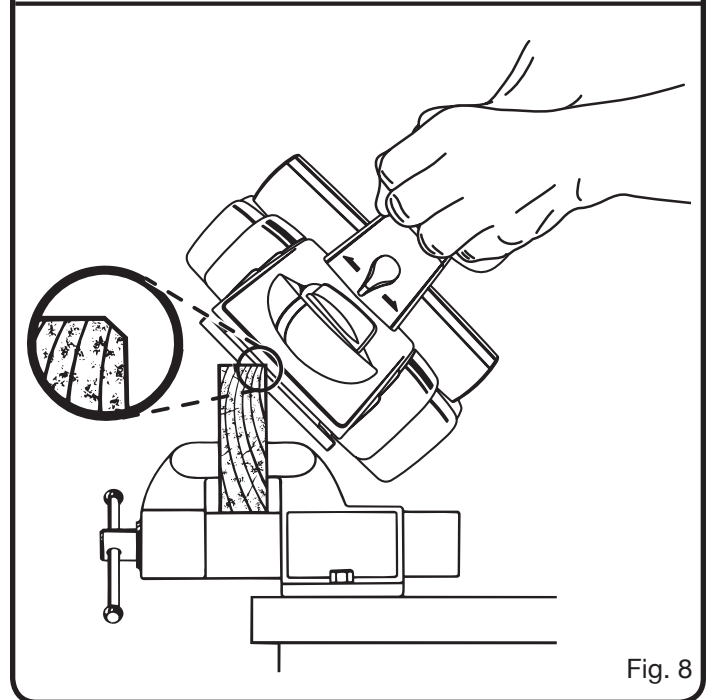


Fig. 8

- Start the planer and let the motor reach maximum speed.
- Hold the planer firmly and push it forward into the work, using a slow, steady motion.
- Apply downward pressure to keep the planer flat at the beginning and the end of the work surface.

OPERATION

PLANING EDGES AND MAKING RABBET CUTS

The planer comes with an adjustable edge guide for precision edge planing and rabbet cutting. Attach the edge guide to either side of the planer for planing edges and attach the edge guide to the left side for making rabbet cuts.

ATTACHING THE EDGE GUIDE FOR PLANING EDGES

See Figures 9 - 10.

- Unplug the planer.
- Attach the bracket to the desired side of the planer using the knob bolt.
- Attach the edge guide to the bracket using the knob nut and the carriage head bolt.
- Tighten the knob nut securely.

PLANING EDGES

See Figure 10.

Follow the directions in the **Planing** section earlier in this manual. Hold the edge guide firmly against the edge of the work surface.

ATTACHING THE EDGE GUIDE FOR MAKING RABBET CUTS

See Figure 11.

- Unplug the planer.
- Attach the bracket to the left side of the planer using the knob bolt.
- Attach the edge guide loosely to the bracket using the knob nut and the carriage head bolt.
- Adjust the edge guide to the desired width for the rabbet cut.
- Tighten the knob nut securely.

TO MAKE RABBET CUTS

See Figure 11.

Follow the directions in the **Planing** section earlier in this manual. Hold the edge guide firmly against the edge of the work surface.

The depth of the rabbet is determined by the depth of the cut and the number of passes made along the work surface. The maximum depth of the rabbet cut is 7/16 in. and has to be cut in 3/32 in. passes or less to reach the desired depth. The width of the rabbet cut is adjustable by moving the edge guide.

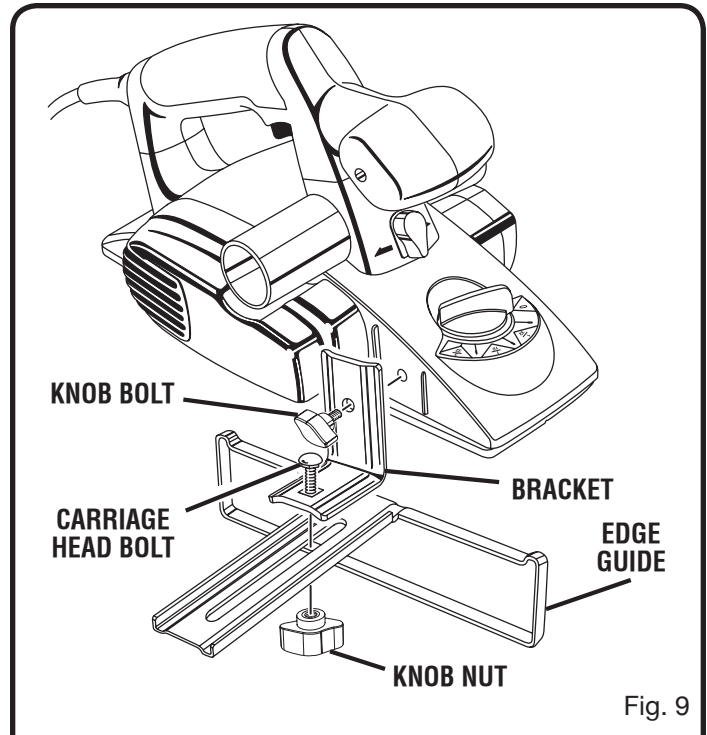


Fig. 9

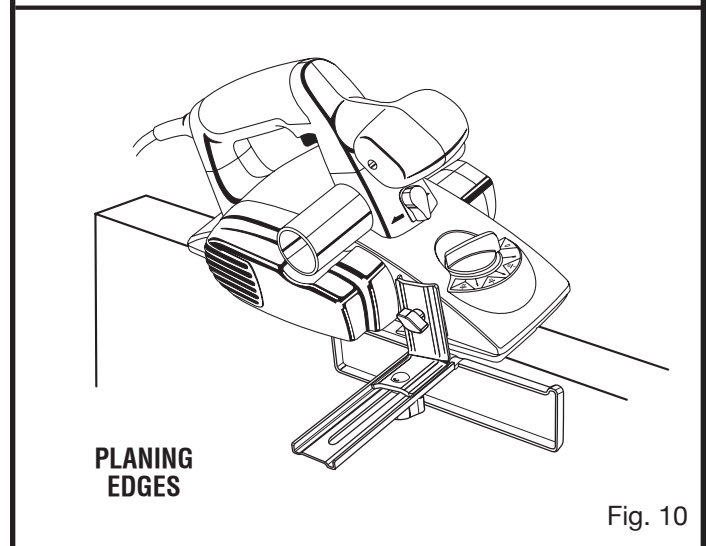


Fig. 10

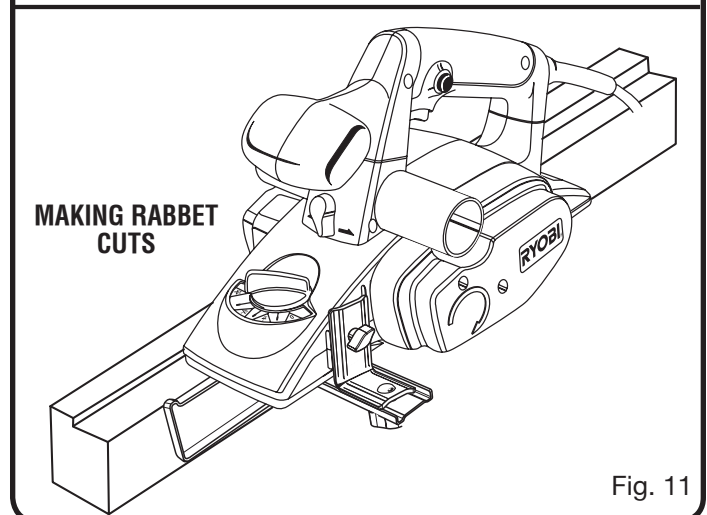


Fig. 11

MAINTENANCE

⚠ WARNING:

When servicing, use only identical replacement parts. Use of any other parts may create a hazard or cause product damage.

⚠ WARNING:

Always wear safety goggles or safety glasses with side shields during power tool operation or when blowing dust. If operation is dusty, also wear a dust mask.

⚠ WARNING:

Failure to unplug the planer could result in accidental starting causing serious injury.

GENERAL MAINTENANCE

Avoid using solvents when cleaning plastic parts. Most plastics are susceptible to damage from various types of commercial solvents and may be damaged by their use. Use clean cloths to remove dirt, dust, oil, grease, etc.

⚠ WARNING:

Do not at any time let brake fluids, gasoline, petroleum-based products, penetrating oils, etc., come in contact with plastic parts. Chemicals can damage, weaken or destroy plastic which may result in serious personal injury.

Electric tools used on fiberglass material, wallboard, spackling compounds, or plaster are subject to accelerated wear and possible premature failure because the fiberglass chips and grindings are highly abrasive to bearings, brushes, commutators, etc. Consequently, we do not recommend using this tool for extended work on these types of materials. However, if you do work with any of these materials, it is extremely important to clean the tool using compressed air.

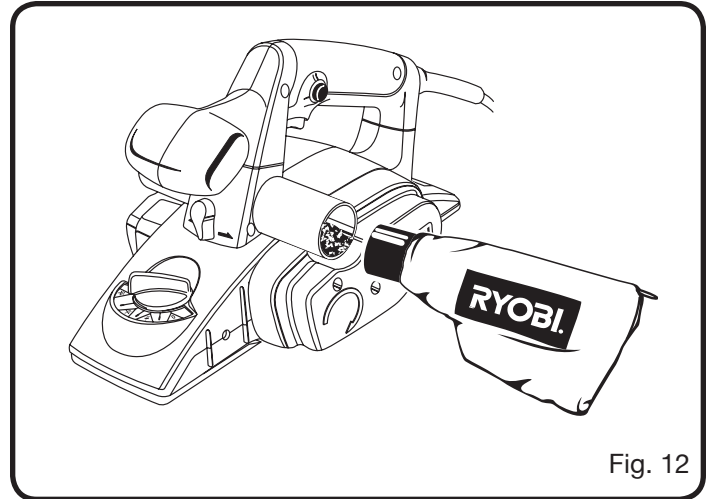


Fig. 12

LUBRICATION

All of the bearings in this tool are lubricated with a sufficient amount of high grade lubricant for the life of the unit under normal operating conditions. Therefore, no further lubrication is required.

CLEANING THE EXHAUST PORT AND EMPTYING THE DUST BAG

See Figure 12.

After using the planer for an extended period of time or when planing wet or green lumber, chips may build-up in the exhaust port and require cleaning. Chip build-up restricts air flow and causes the motor to overheat. Clean the exhaust port and empty the dust bag regularly.

- Unplug the planer.
- Remove the dust bag from the exhaust port.
- Clean the chip or dust build-up from the exhaust port of the planer with a small piece of wood. Do not use your hands or fingers.
- Empty all debris from the dust bag and ensure that the collar is free of debris.
- Replace the dust bag.

MAINTENANCE

REPLACING BLADES

See Figures 13 - 15.

The planer blades are reversible. When one edge becomes dull, the blade can be reversed so that the other side can be used.

Always replace or reverse blades in pairs. Do not attempt to sharpen blades. If the blades in the planer show signs of becoming dull, chipped, or damaged in any way, replace them.

When replacing the blades, use recommended replacement blade only, Ryobi part number 6986101.

WARNING:

The blades are sharp. Use extreme caution when replacing blades. Failure to heed this warning can result in serious personal injury.

- Unplug the planer.
- Secure the planer in an upside-down position.
- Loosen the three screws securing the blade on the blade holder using the blade wrench provided.

NOTE: Do not over-loosen the screws. If screws are too loose, alignment of the new blade will not be accurate.

NOTE: Before removing the old blades, take notice of the direction of cut as well as how the tapered edge of the old blades are oriented. The tapered edge of the new blades must be in the same orientation as the original blades, with the tapered edge on the same side as the screw heads and the flat edge facing the cutter block.

- Push the blade (to the right) out of the blade holder using the tip of a screwdriver.
- Remove the old blade from the blade holder.

NOTE: If blade cannot be easily pushed out of blade holder after loosening blade securing screws, use a block of wood to break the blade loose from the blade holder with a short sharp blow. Then push the blade with a screwdriver to remove. If necessary, tap the block of wood sharply with a small hammer to break the blade loose.

- Clean any sawdust or wood chips from around the blade area.
- Slide the new blade into the slot of the blade holder.
- Use a screwdriver to push the blade into the blade holder until it is centered into position.
- Retighten the three blade securing screws using the blade wrench.
- Repeat the above procedure to change the other blade.

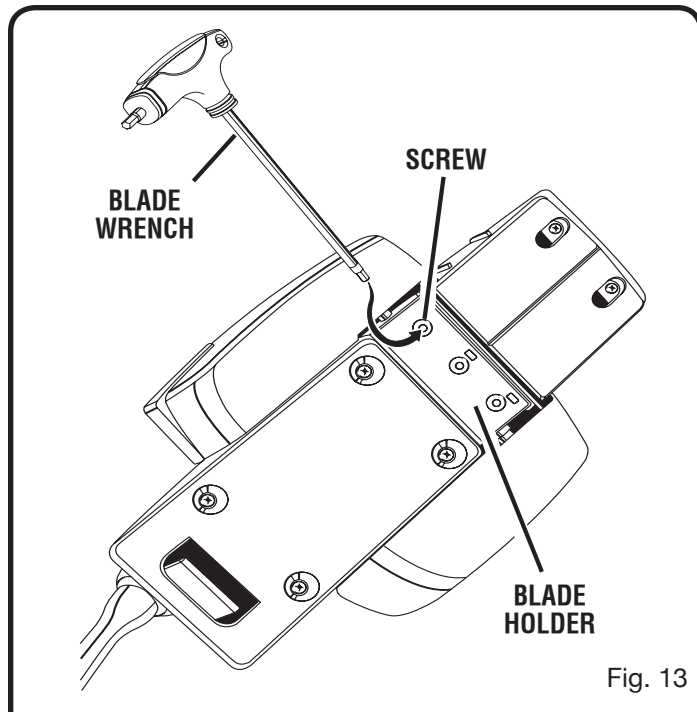


Fig. 13

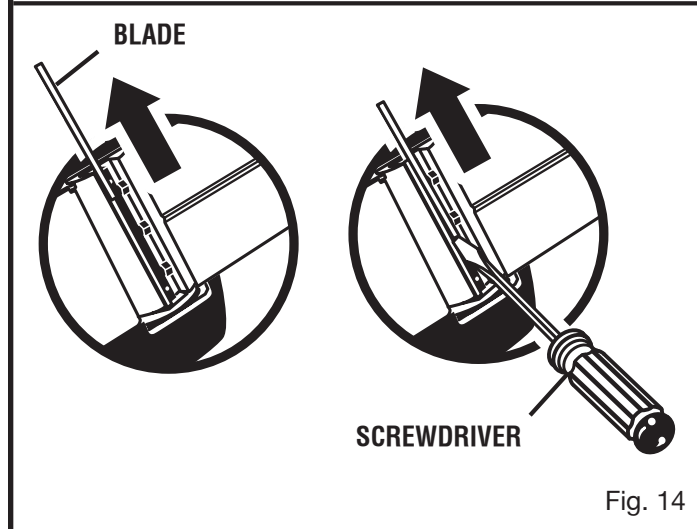


Fig. 14

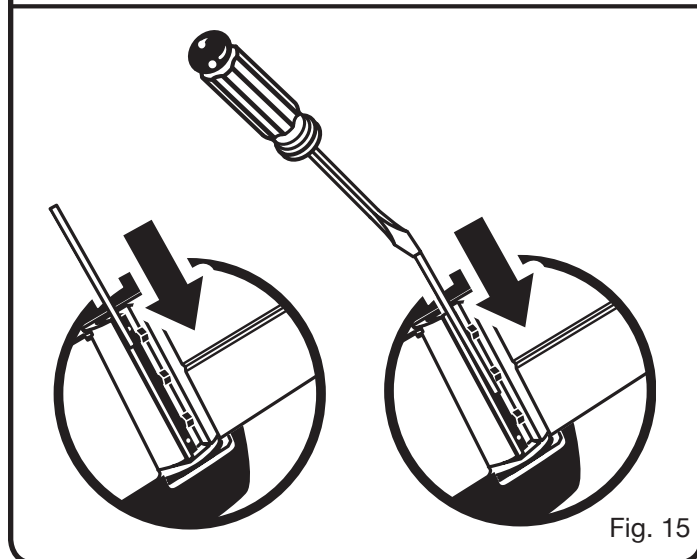


Fig. 15

MAINTENANCE

REPLACING THE BELT

See Figures 16 - 17.

When replacing the belt, use the recommended replacement belt only, Ryobi part number 5695001.

- Unplug the planer.
- Remove belt cover screws.
- Remove the belt cover.
- Force the old belt from the small pulley by turning in the direction shown. As you turn the belt, pull and work it off the small pulley until it has been completely removed from both pulleys.
- Install the new belt over the large pulley. As you turn the belt, push and work it onto the small pulley until it is in place.
- Replace the belt cover.
- Install belt cover screws and tighten securely.

NOTE: Do not overtighten the screws.

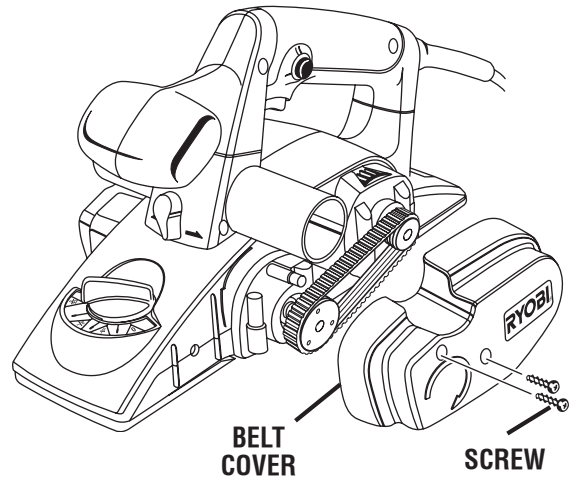


Fig. 16

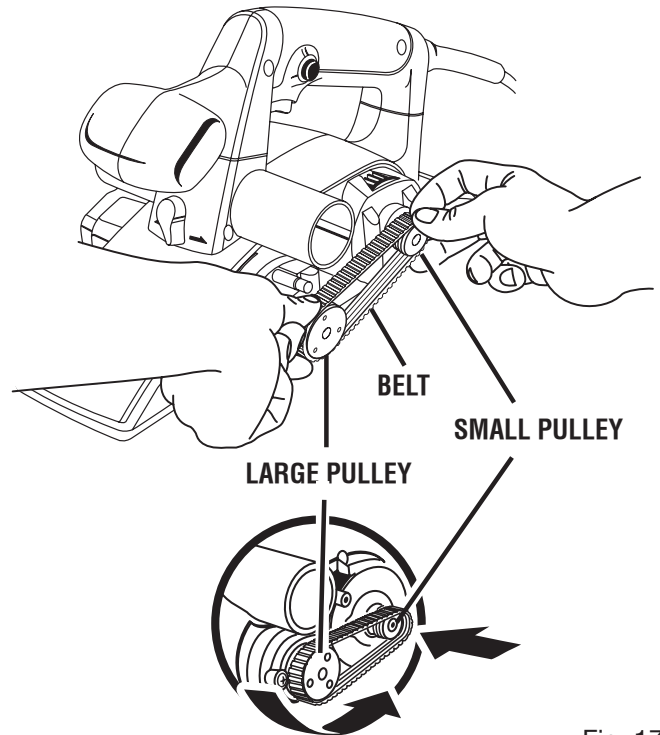


Fig. 17



OPERATOR'S MANUAL

POWER PLANER

DOUBLE INSULATED

HPL51

WARNING:

Some dust created by power sanding, sawing, grinding, drilling, and other construction activities contains chemicals known to cause cancer, birth defects or other reproductive harm. Some examples of these chemicals are:

- lead from lead-based paints,
- crystalline silica from bricks and cement and other masonry products, and
- arsenic and chromium from chemically-treated lumber.

Your risk from these exposures varies, depending on how often you do this type of work. To reduce your exposure to these chemicals: work in a well ventilated area, and work with approved safety equipment, such as those dust masks that are specially designed to filter out microscopic particles.

• **SERVICE**

Now that you have purchased your tool, should a need ever exist for repair parts or service, simply contact your nearest Authorized Service Center. Be sure to provide all pertinent facts when you call or visit. Please call 1-800-525-2579 for your nearest Authorized Service Center. You can also check our web site at www.ryobitools.com for a complete list of Authorized Service Centers.

• **MODEL NO. AND SERIAL NO.**

The model number of this tool will be found on a plate attached to the motor housing. Please record the model number and serial number in the space provided below.

• **HOW TO ORDER REPAIR PARTS**

When ordering repair parts, always give the following information:

- MODEL NUMBER HPL51
- SERIAL NUMBER

Ryobi® is a registered trademark of Ryobi Limited used under license.

ONE WORLD TECHNOLOGIES, INC.

1428 Pearman Dairy Road, Anderson, SC 29625

Phone 1-800-525-2579

www.ryobitools.com