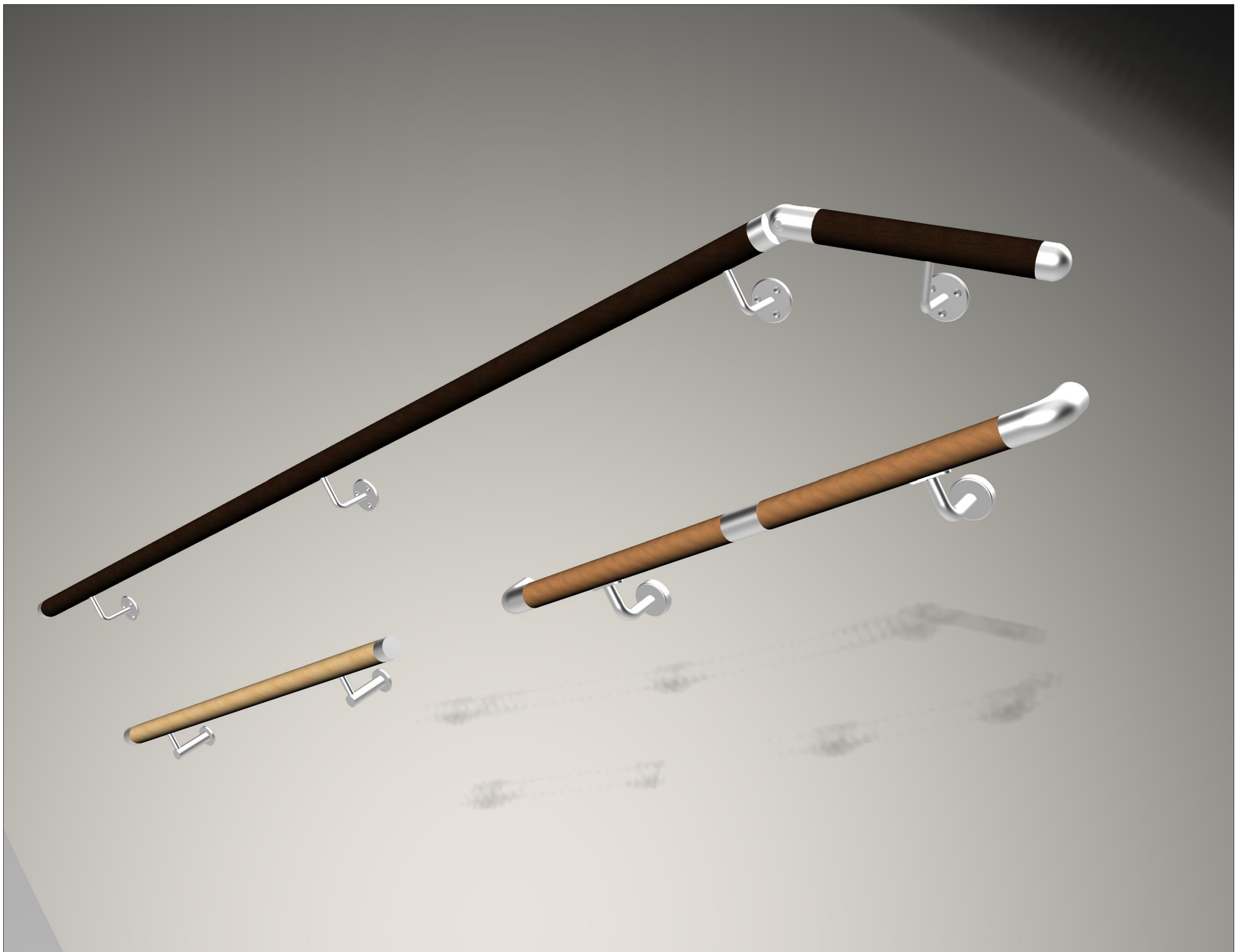
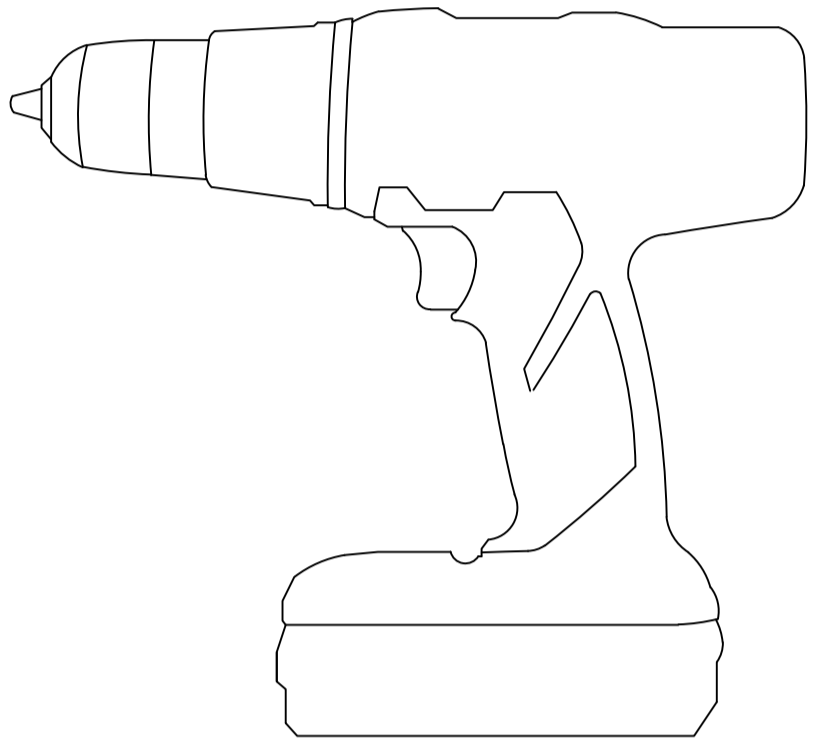


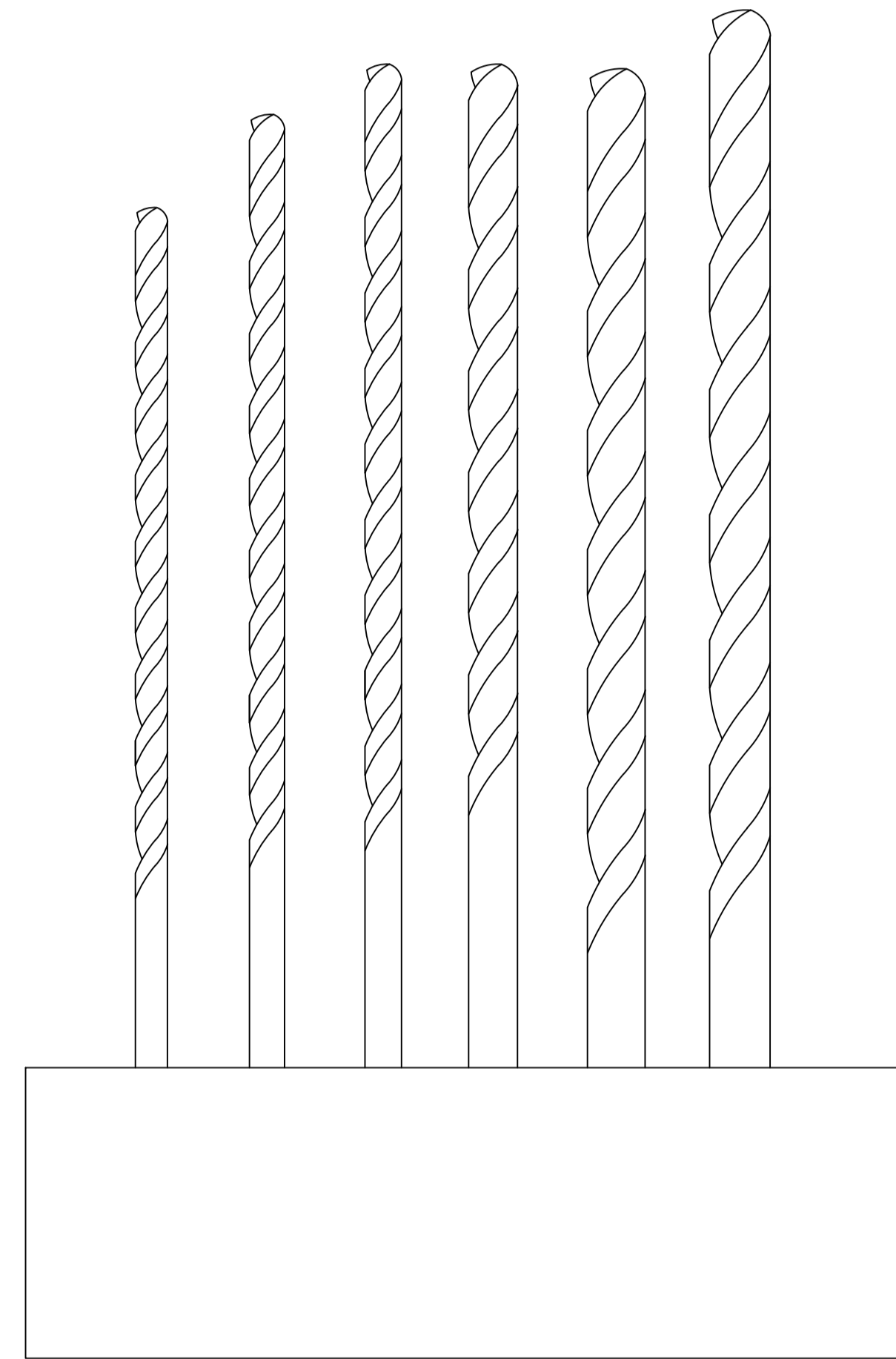
## WOODINOX DIY KIT



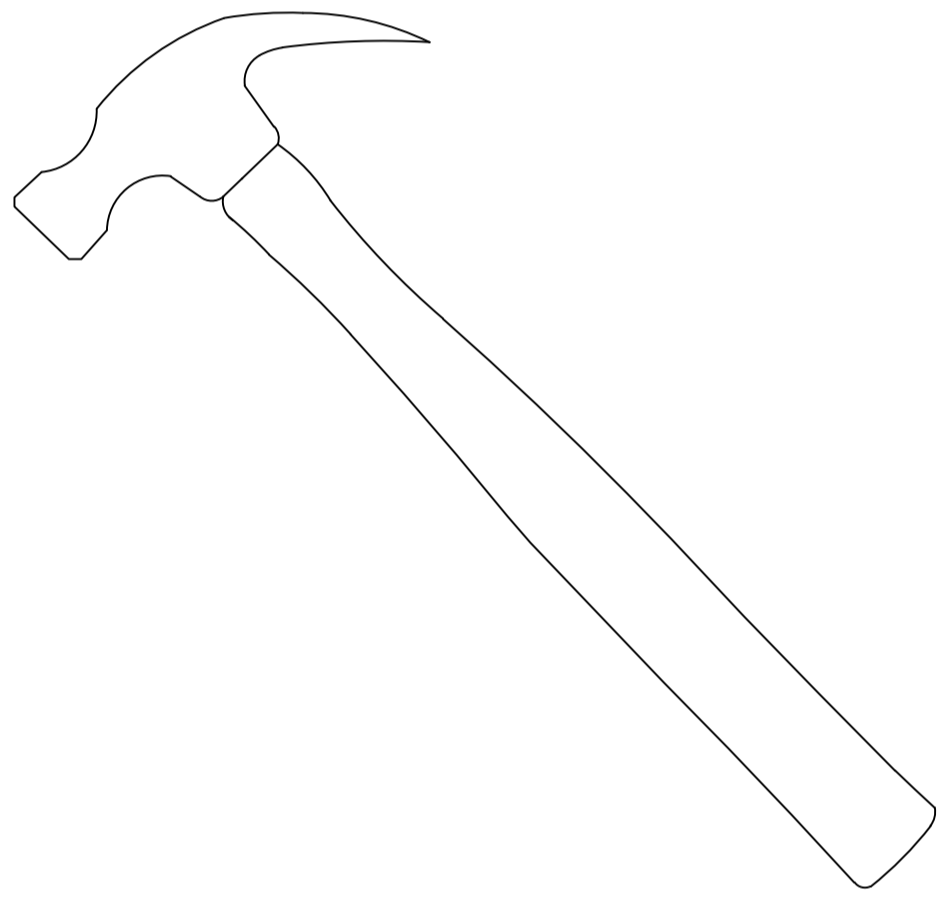
## TOOLS NEEDED TO COMPLETE JOB



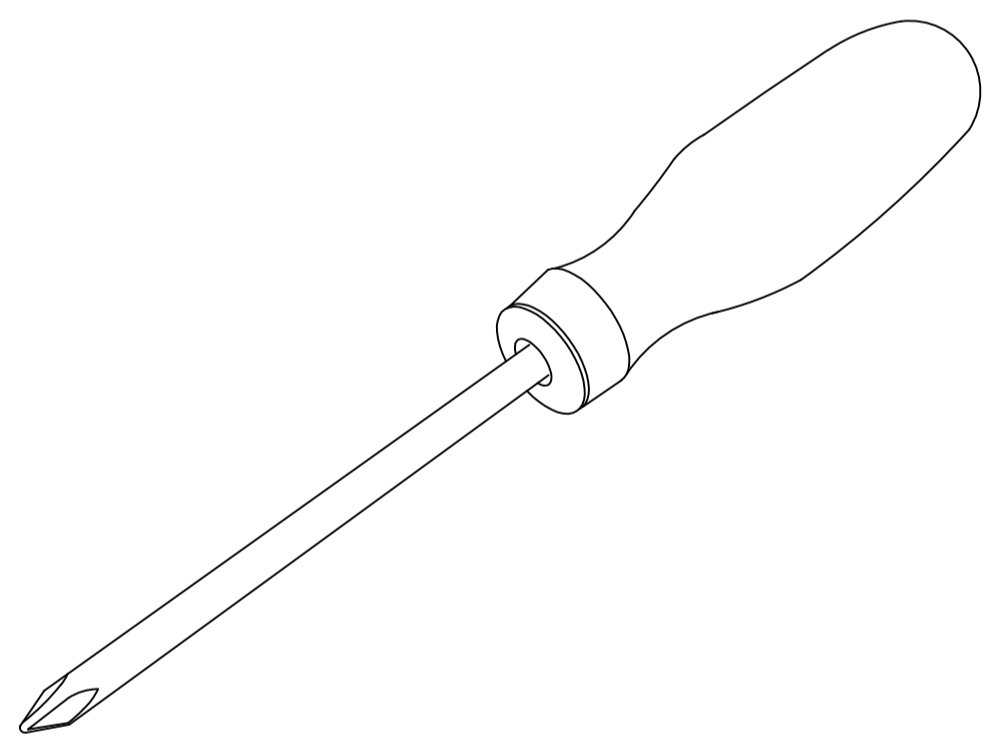
**DRILL**



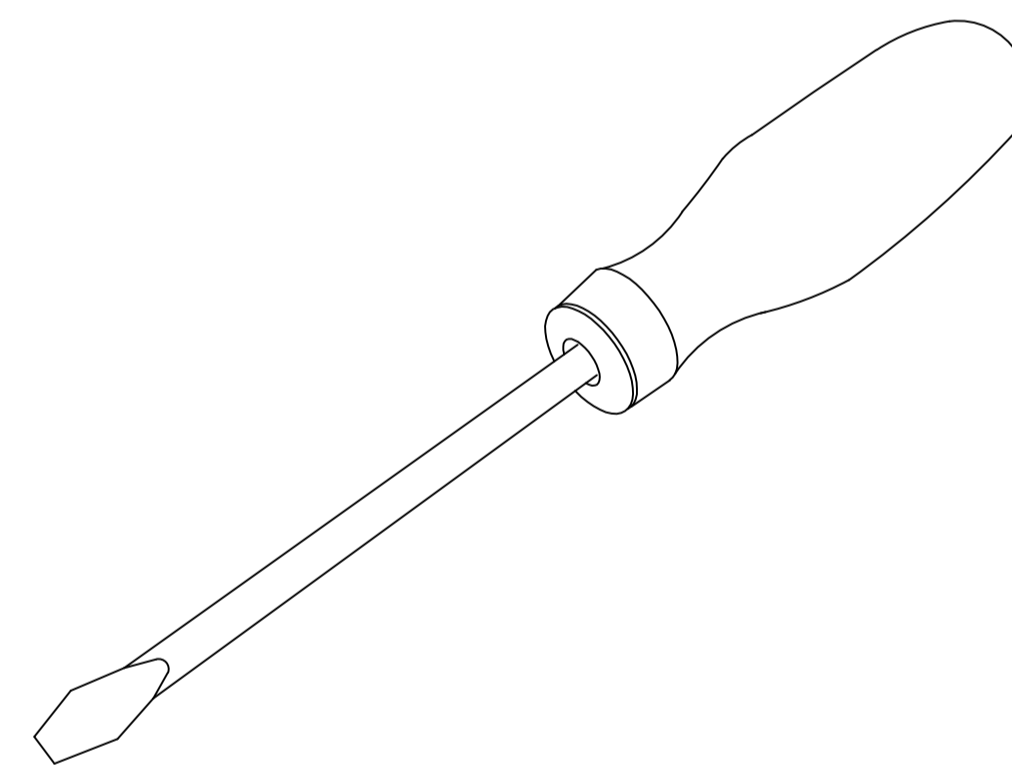
**DRILL BITS**



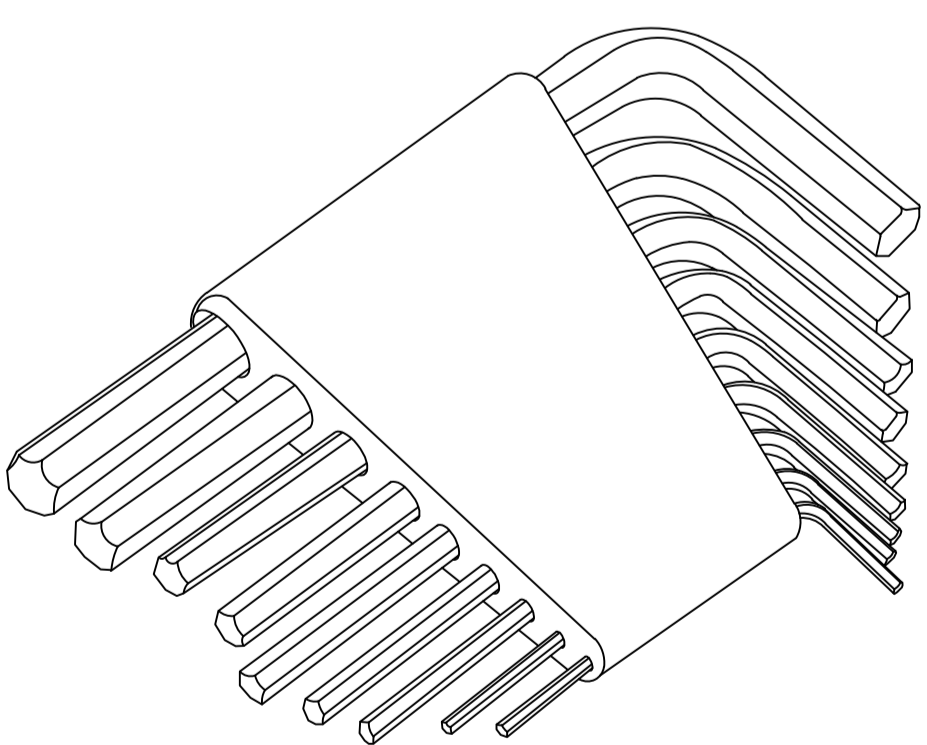
**HAMMER**



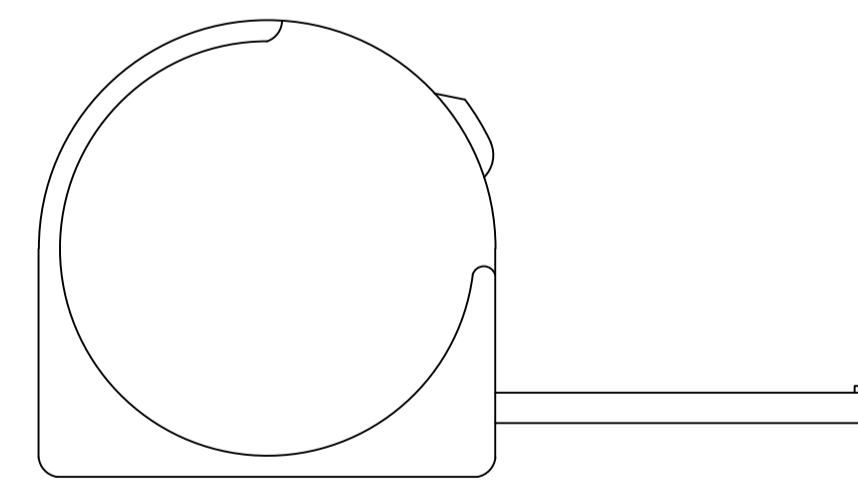
**PHILLIPS-HEAD  
SCREW DRIVER**



**FLAT HEAD  
SCREW DRIVER**



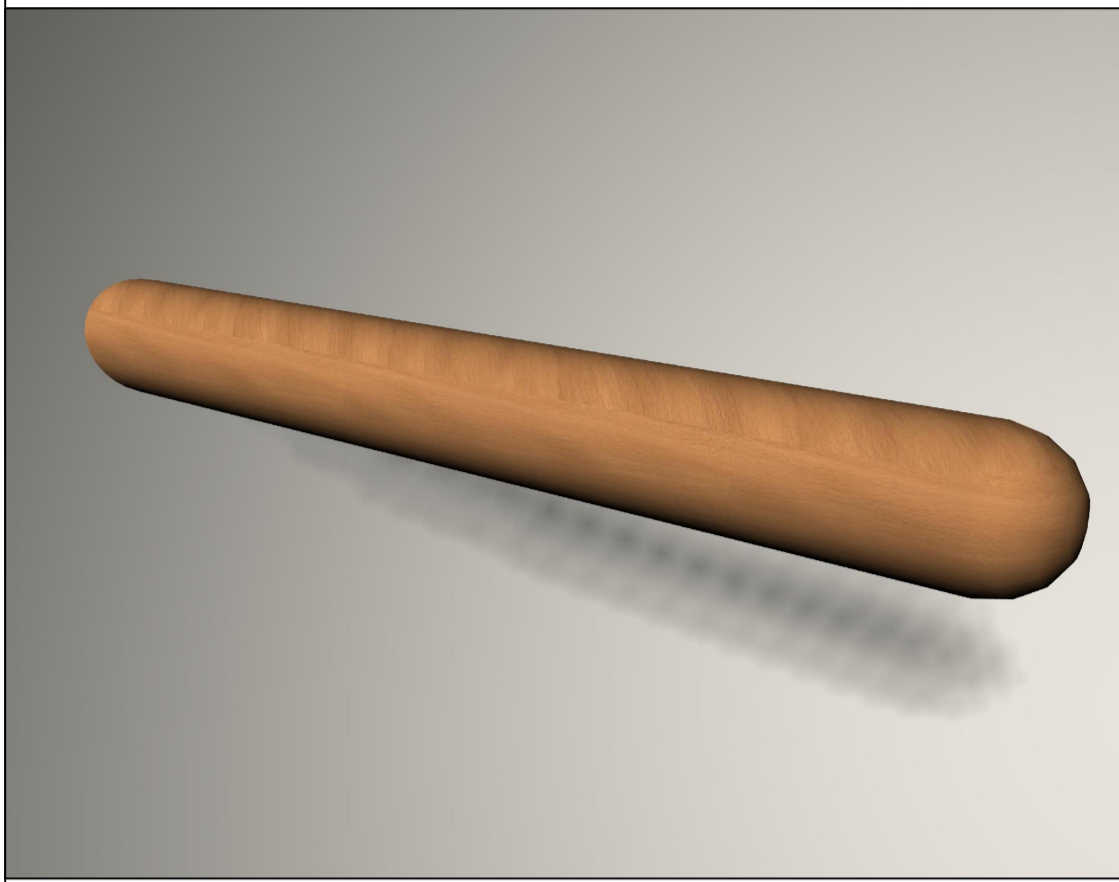
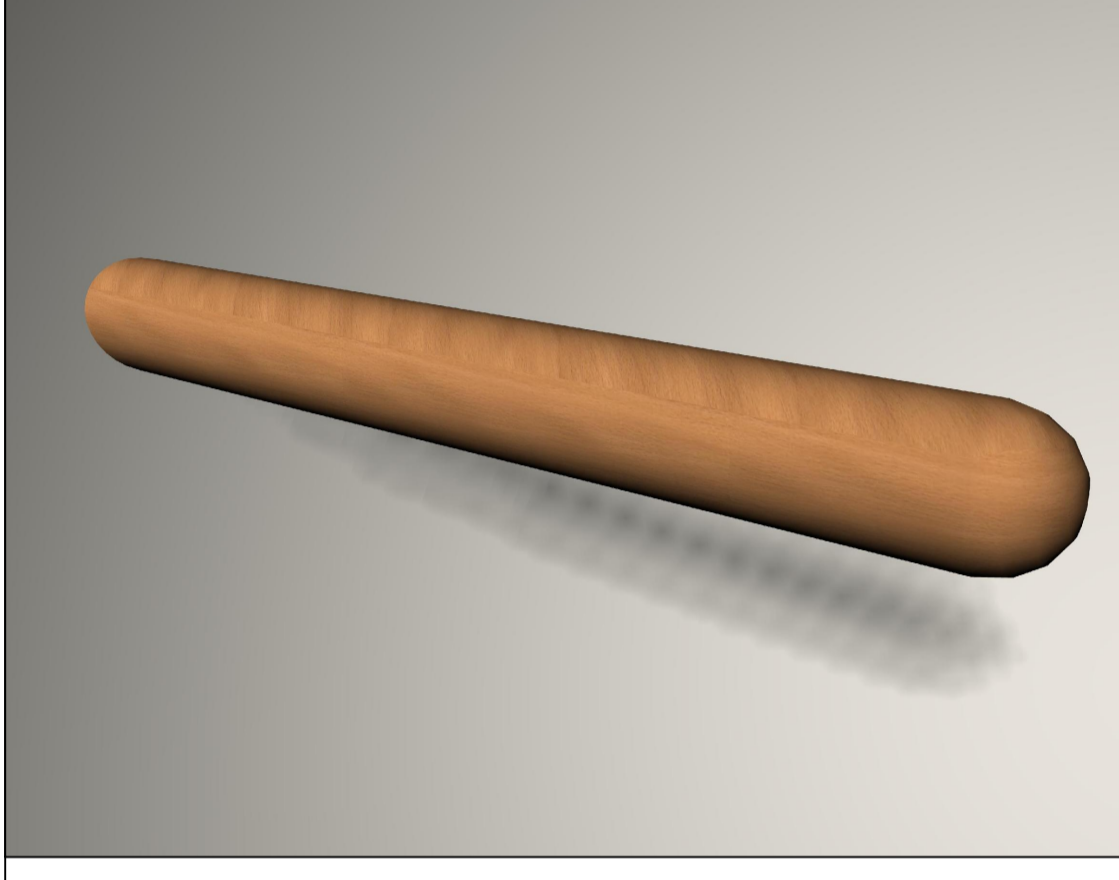
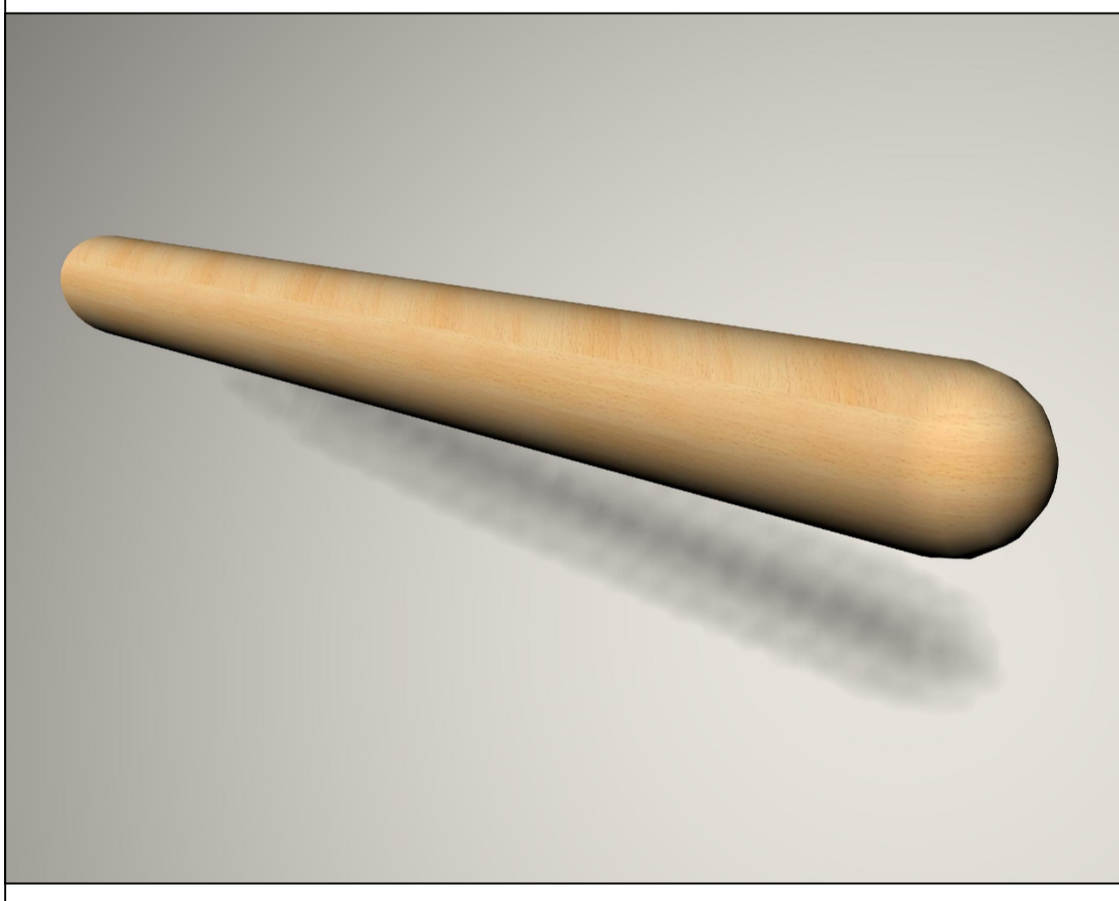
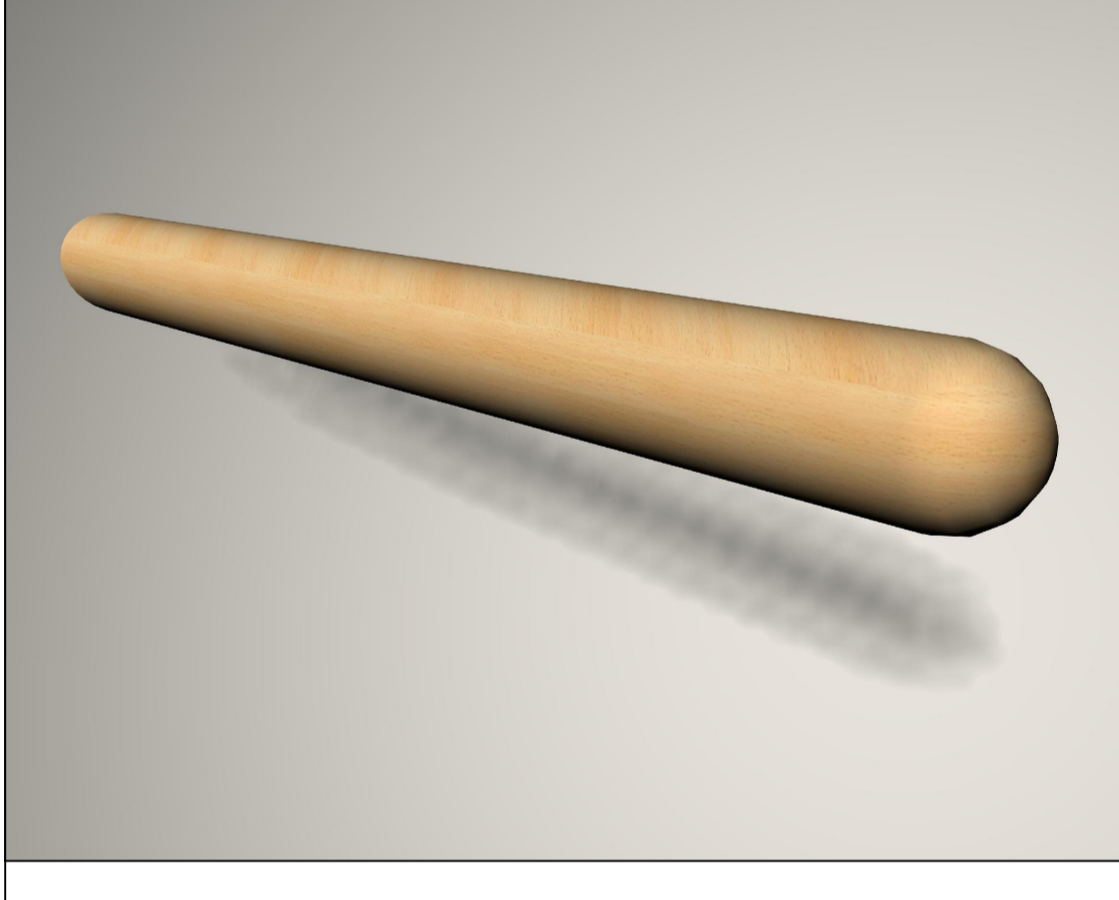


**ALLEN WRENCH SET**



**MEASURING  
TAPE**

# HANDRAIL FINISH OPTIONS

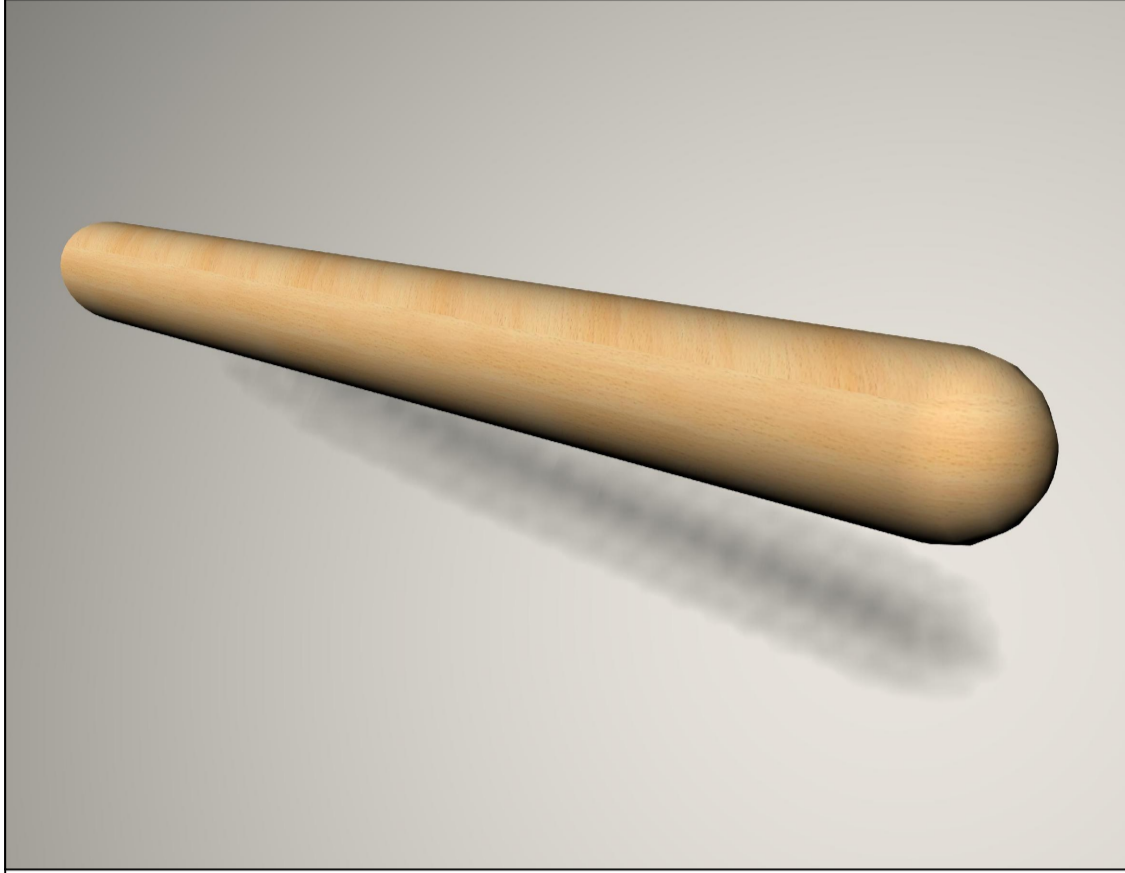
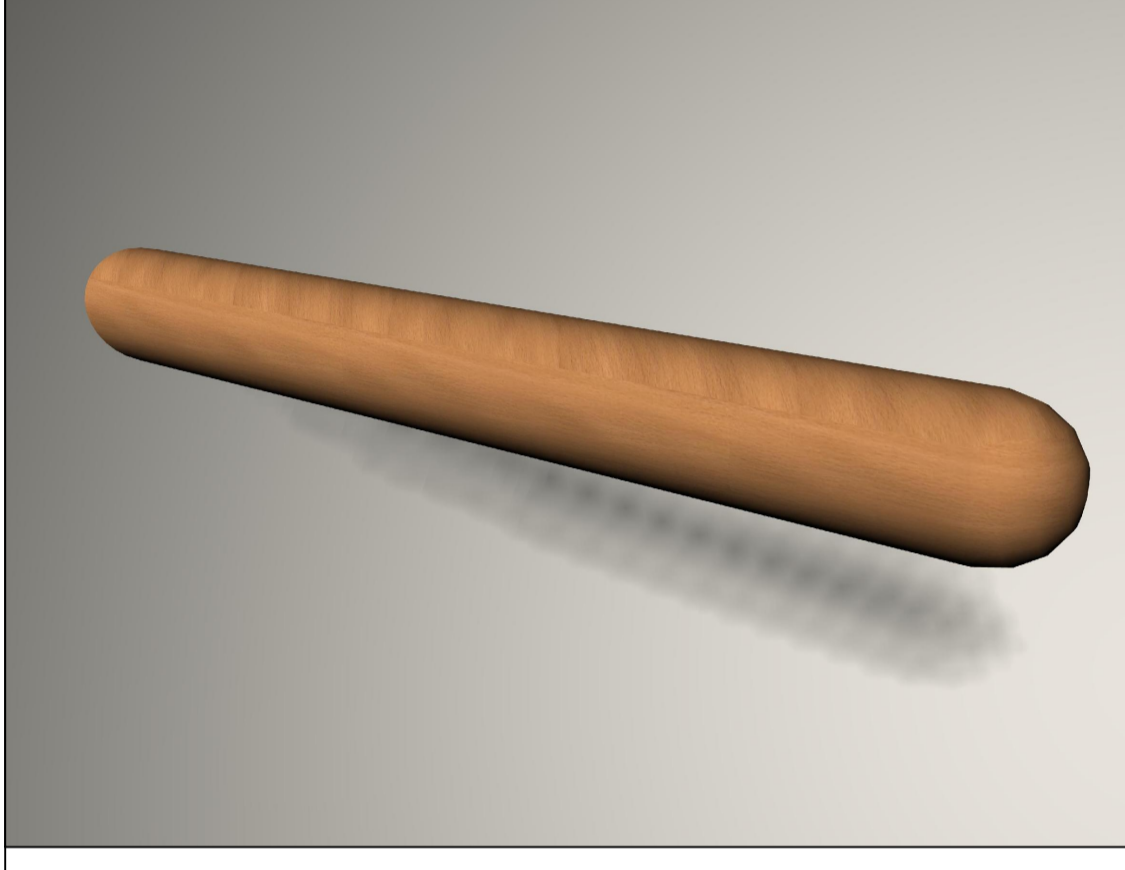

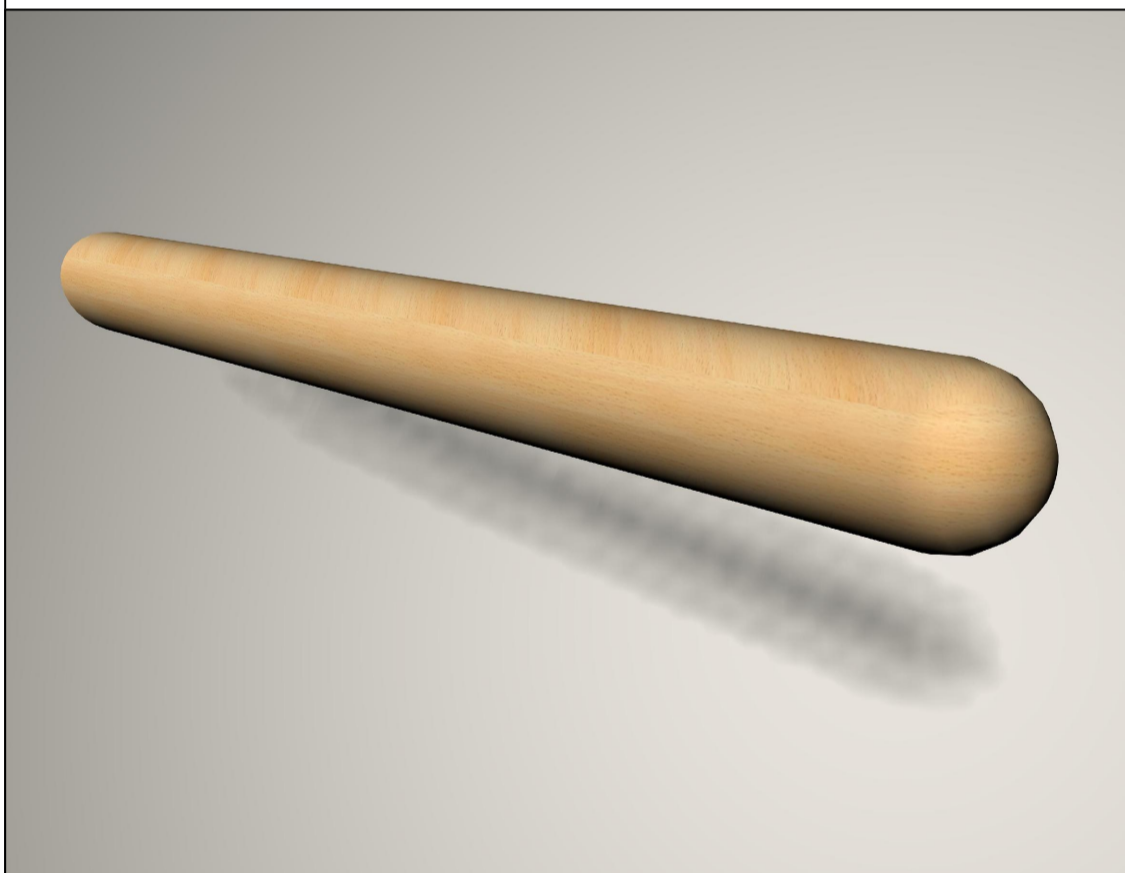
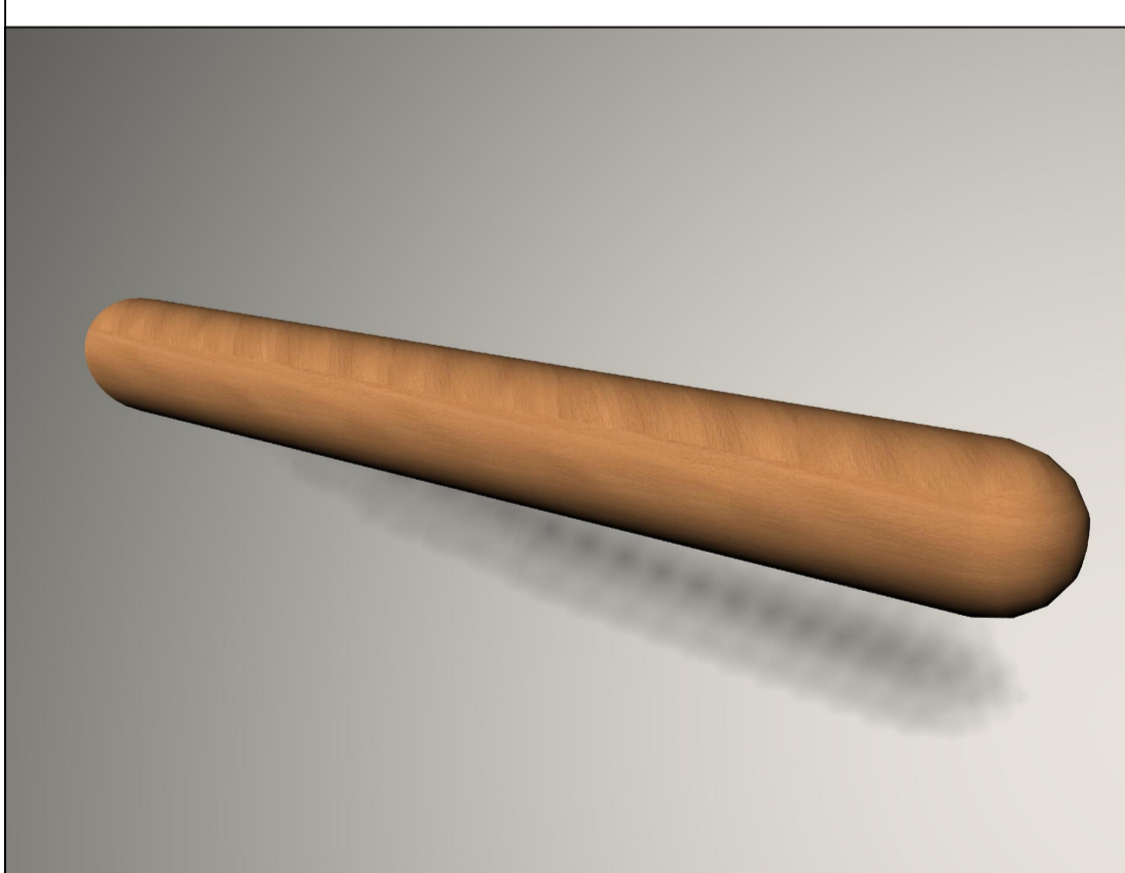

3

PRODUCT DESCRIPTION	PRODUCT VISUAL	PRODUCT QUANTITY
1. HANDRAIL WOODEN 1-3/4"O.D. 6-1/2" FT. LONG FINISH: BEECH INDITAL PART: E690		1
2. HANDRAIL WOODEN 1-3/4" O.D. 6-1/2" FT. LONG FINISH: BEECH INDITAL PART: E690/3000		1
3. HANDRAIL WOODEN 1-3/4" O.D. 10 FT. LONG FINISH: RAW INDITAL PART: E690/3000/G		1
4. HANDRAIL WOODEN 1-3/4" O.D. 6-1/2 FT. LONG FINISH: RAW INDITAL PART: E690//G		1
5. HANDRAIL WOODEN 1-3/4"O.D. 6-1/2" FT LONG FINISH: WENGE INDITAL PART: E692		1
6. HANDRAIL WOODEN 1-3/4" O.D. 10" FT LONG FINISH: WENGE INDITAL PART: E692/3000		1

3

# HANDRAIL FINISH OPTIONS



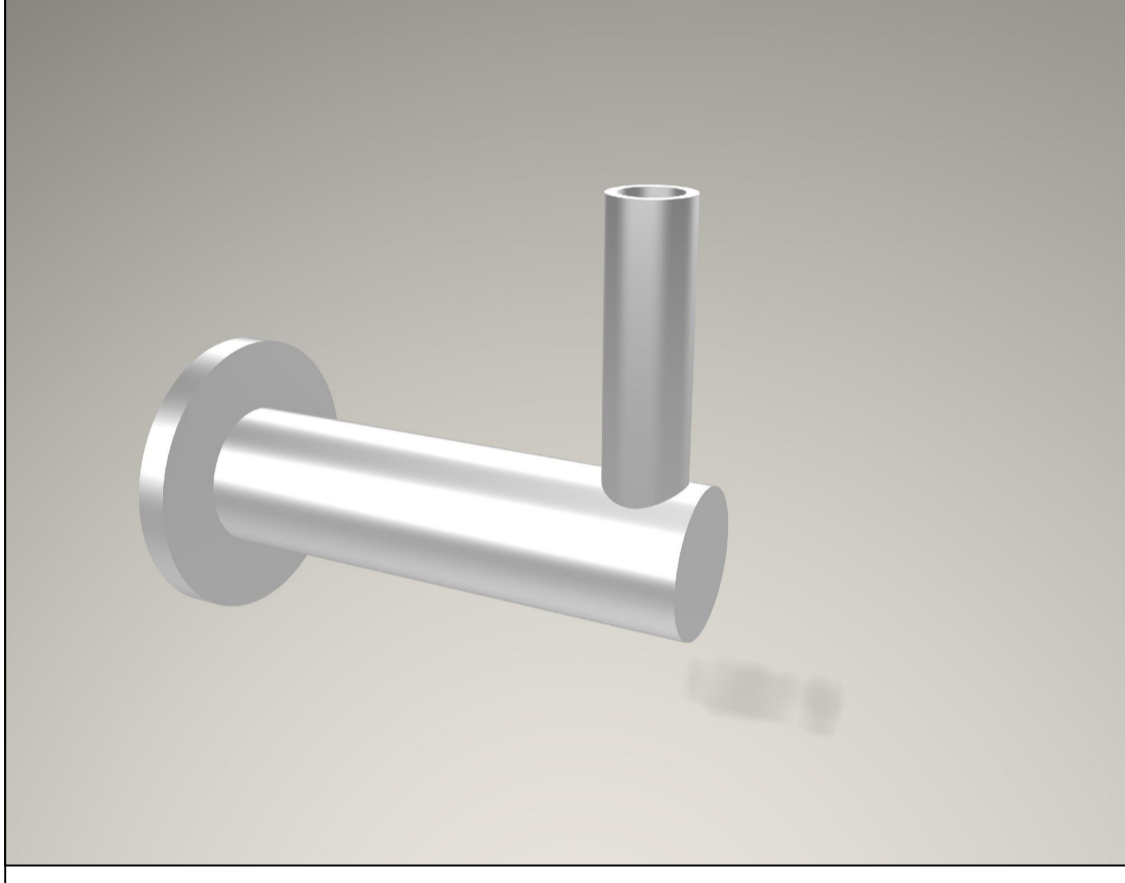
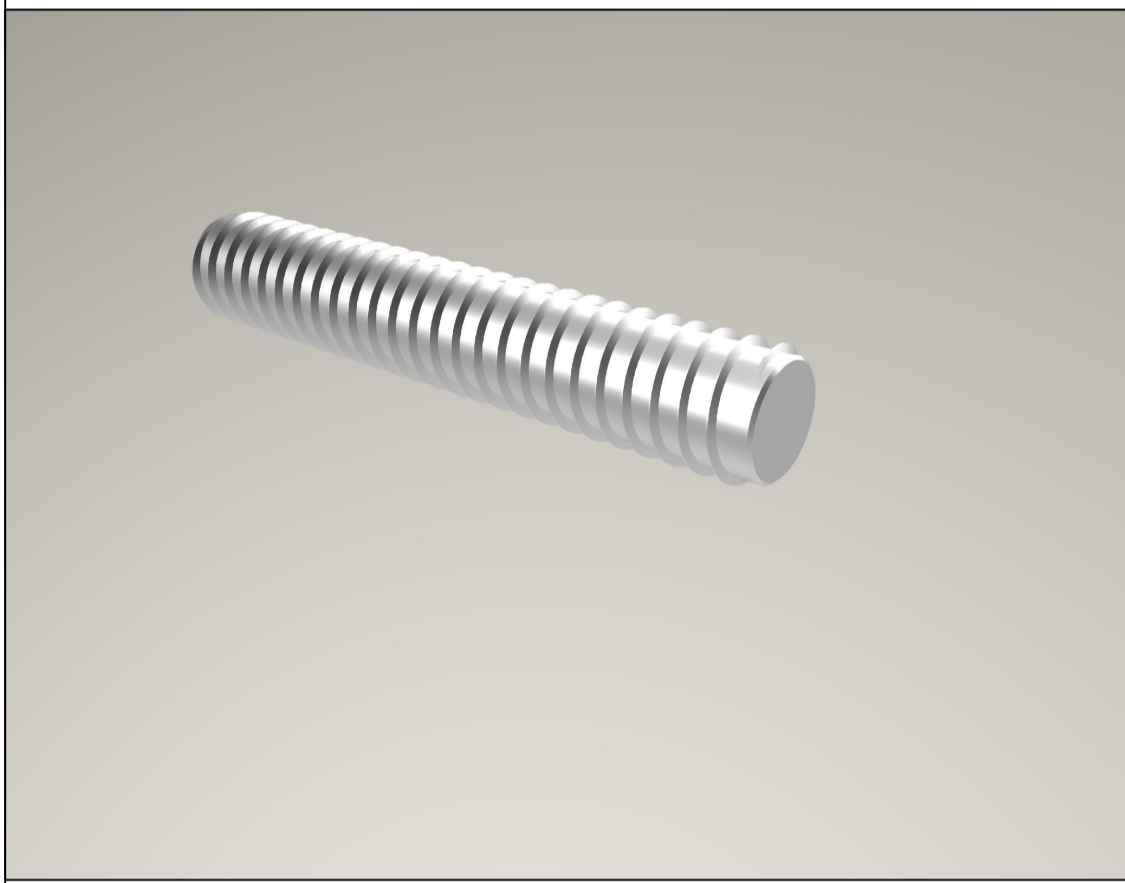
4

PRODUCT DESCRIPTION	PRODUCT VISUAL	PRODUCT QUANTITY
<p>7. HANDRAIL WOODEN 1-3/4" O.D. 6-1/2" FT LONG FINISH:RAW (ASSEMBLED) INDITAL PART: E6951/1</p>		<p>1</p>
<p>8. HANDRAIL WOODEN 1-3/4" O.D. 6-1/2" FT LONG FINISH:BEECH (ASSEMBLED) INDITAL PART: E695/1</p>		<p>1</p>
<p>9. HANDRAIL WOODEN 1-3/4" O.D. 6-1/2" FT LONG FINISH:WENGE (ASSEMBLED) INDITAL PART: E6952/1</p>		<p>1</p>
<p>10. HANDRAIL WOODEN 1-3/4" O.D. 10" FT LONG FINISH:RAW (ASSEMBLED) INDITAL PART: E6961/1</p>		<p>1</p>
<p>11. HANDRAIL WOODEN 1-3/4" O.D. 10" FT LONG FINISH:BEECH (ASSEMBLED) INDITAL PART: E696/1</p>		<p>1</p>
<p>12. HANDRAIL WOODEN 1-3/4" O.D. 10" FT LONG FINISH:WENGE (ASSEMBLED) INDITAL PART: E6962/1</p>		<p>1</p>

4

# HANDRAIL SUPPORTS

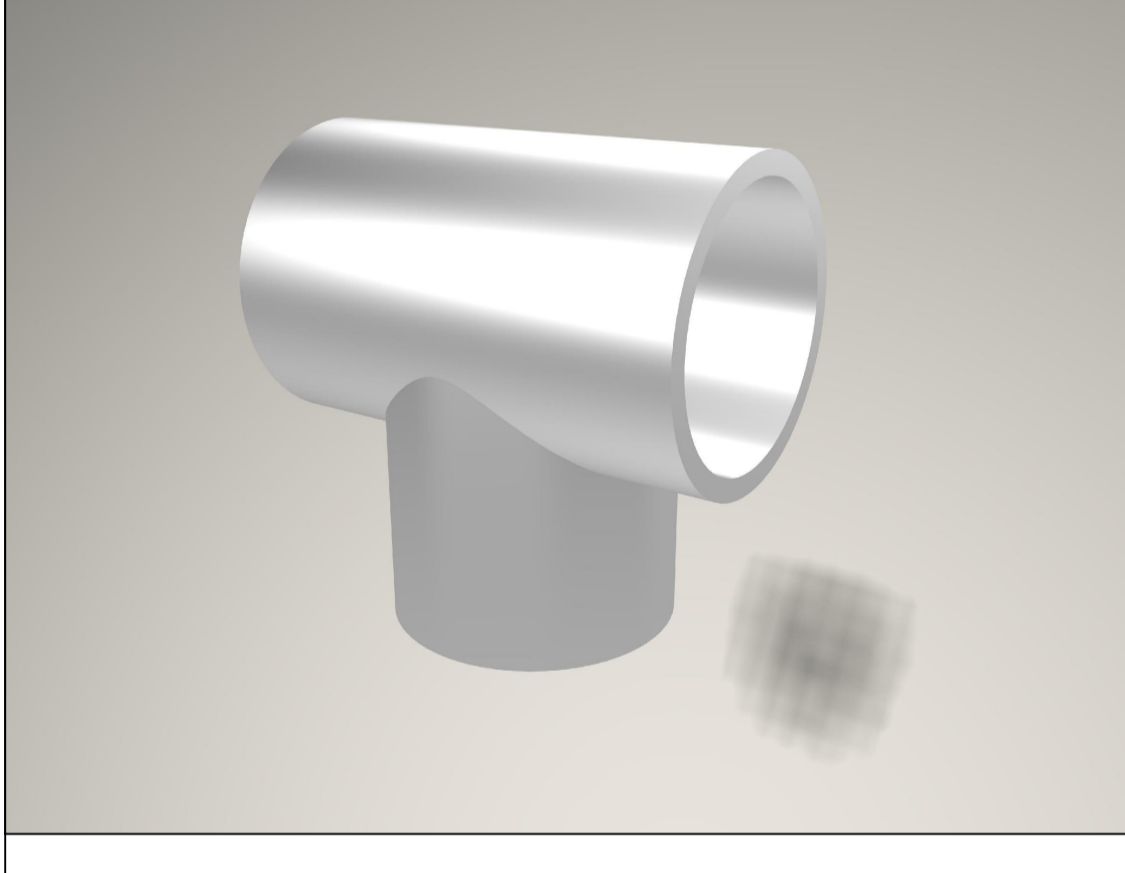

5

PRODUCT DESCRIPTION	PRODUCT VISUAL	PRODUCT QUANTITY
<p>1. STAINLESS HR SUPPORT 3/4"  <b>INDITAL PART: E022/S</b></p>		<p>8</p>
<p>2. HANDRAIL SUPPORT WITH FLANGE  <b>INDITAL PART: E0224</b></p>		<p>20</p>
<p>3. HANDRAIL SUPPORT FOR TUBE 40-4  <b>INDITAL PART: E4586</b></p>		<p>15</p>
<p>** THREADED ATTACHMENT INCLUDED WITH HANDRAIL SUPPORT E4586            * NOT INCLUDED WITH HANDRAIL SUPPORT E0024  <b>INDITAL PART: ESM614</b></p>		

5

# CONNECTORS FOR HANDRAIL

6

PRODUCT DESCRIPTION	PRODUCT VISUAL	PRODUCT QUANTITY
<p>1. ROUNDED END CAP FOR WOODNOX INDITAL PART: E4260</p>		<p>45</p>
<p>2. FLAT END CAP FOR WOODINOX INDITAL PART: E4265</p>		<p>30</p>
<p>3. ROUNDED ELBOW FOR WOODINOX HANDRAIL INDITAL PART: E600</p>		<p>10</p>
<p>4. T FITTING FOR WOODINOX HANDRAIL INDITAL PART: E602</p>		<p>12</p>
<p>5. CONNECTOR FOR WOODINOX HANDRAIL INDITAL PART: E603</p>		<p>20</p>
<p>6. SHARP ELBOW FOR WOODINOX HANDRAIL INDITAL PART: E601</p>		<p>10</p>

6

# CONNECTORS FOR HANDRAIL

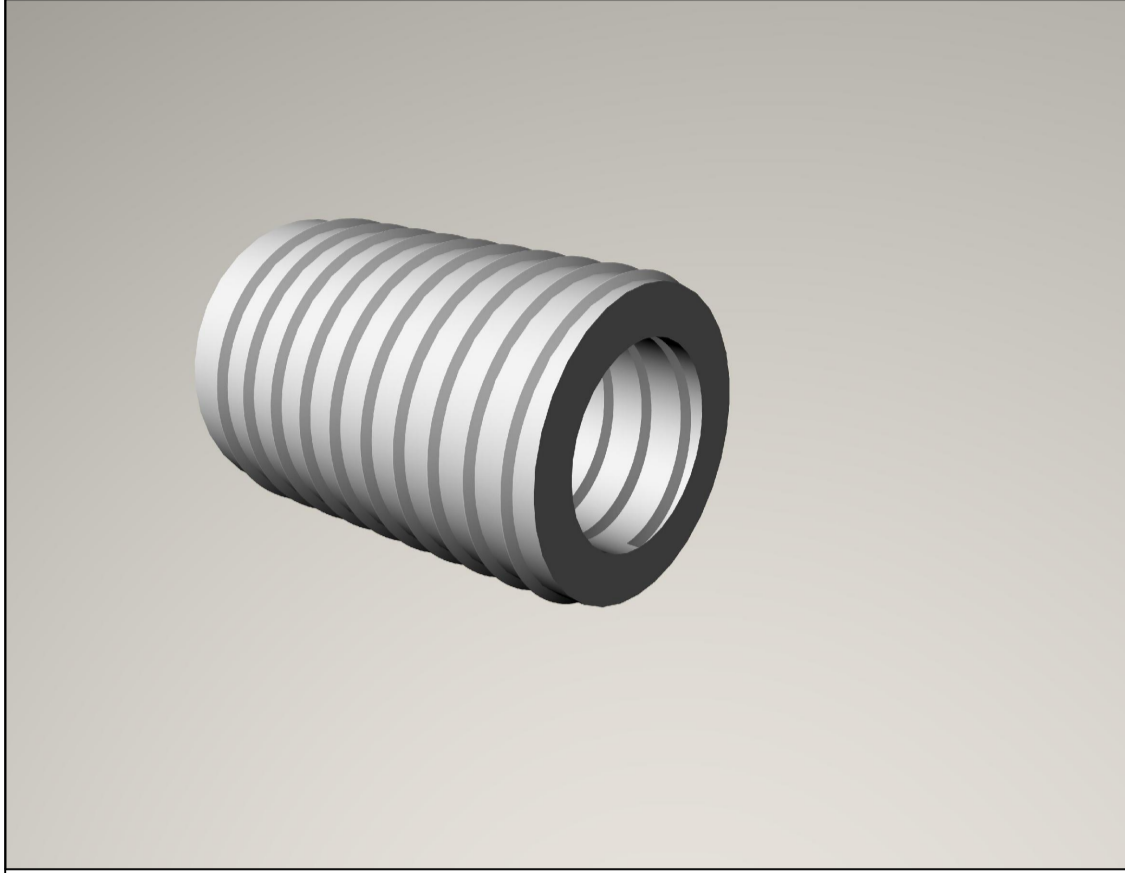
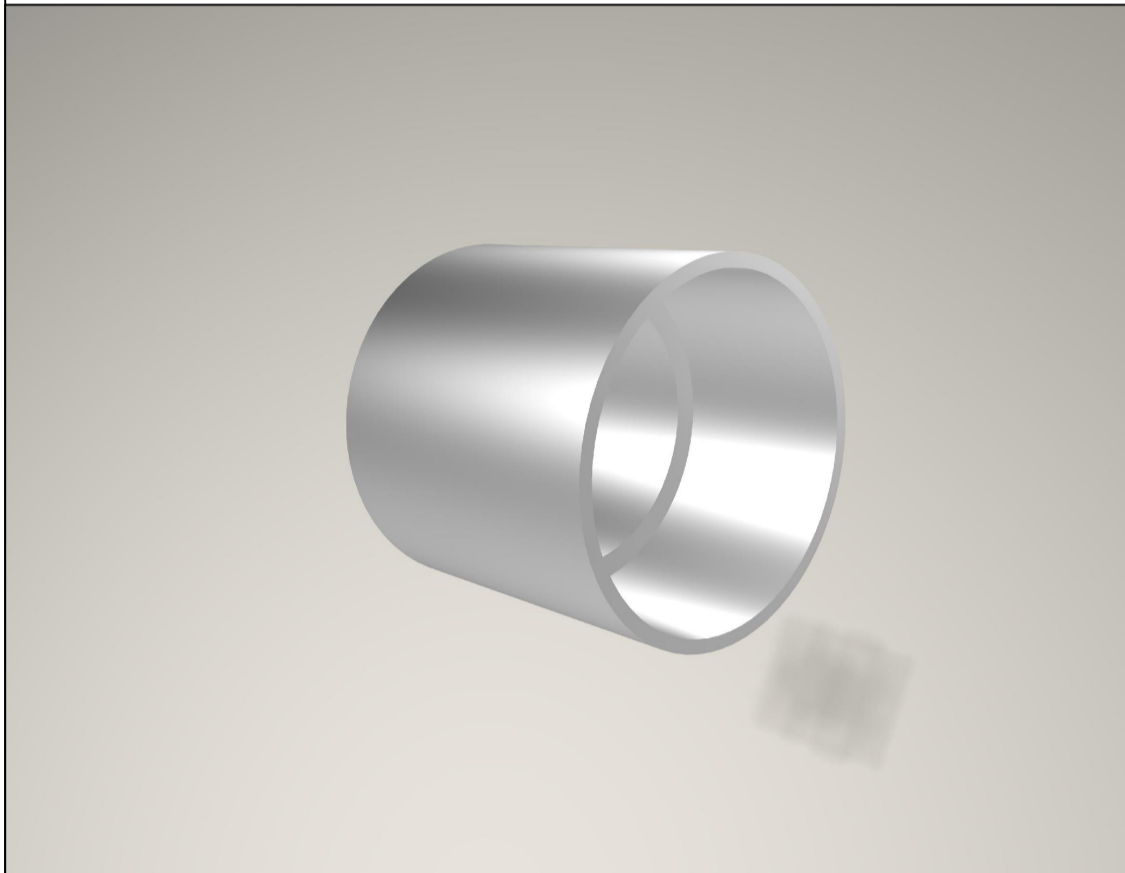
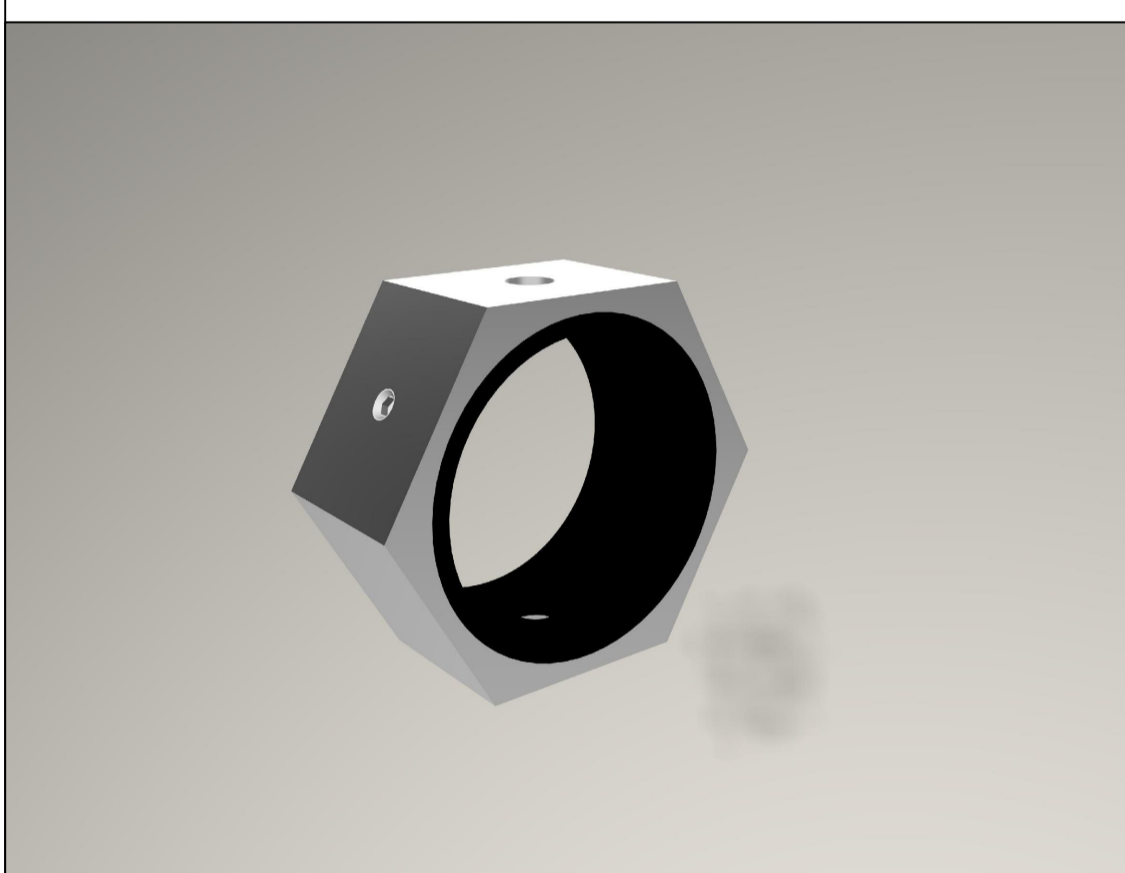
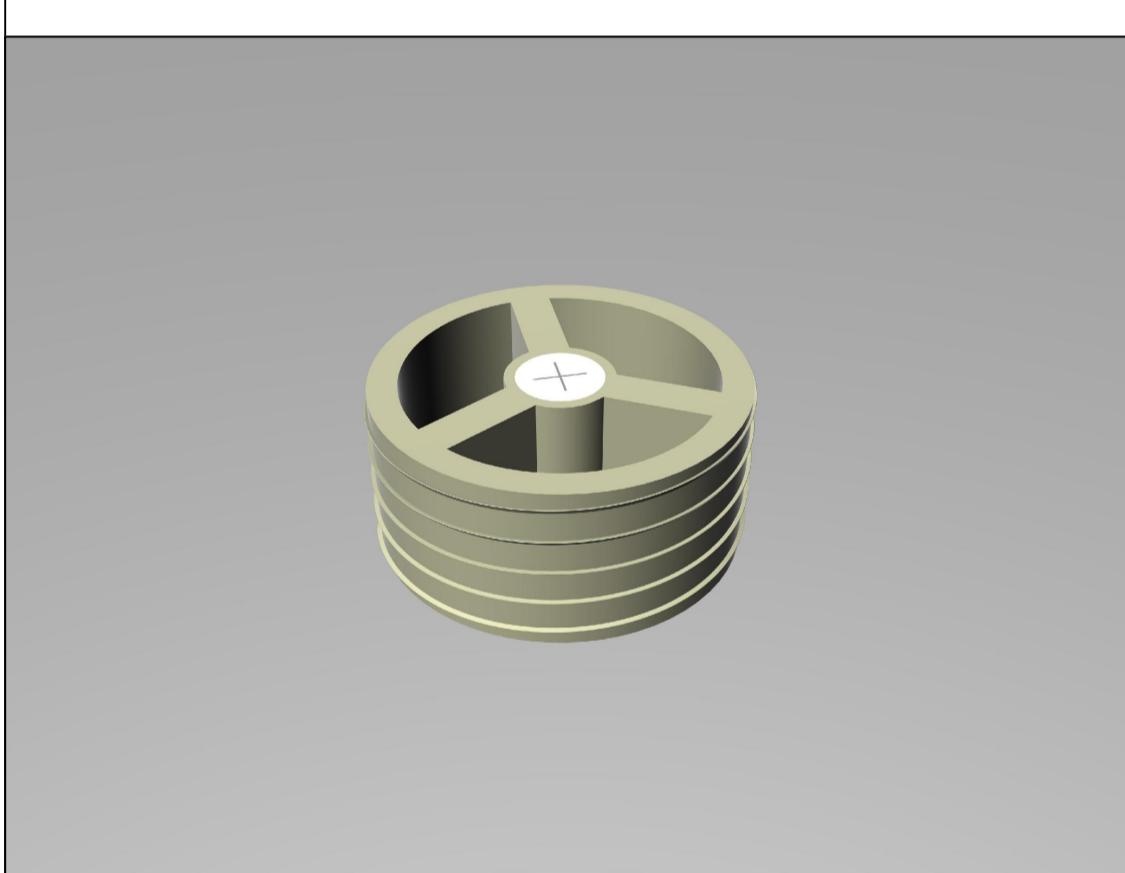
7

PRODUCT DESCRIPTION	PRODUCT VISUAL	PRODUCT QUANTITY
<p>7. PIVOTABLE CONNECTOR FOR WOODINOX HANDRAIL STYLE 1 INDITAL PART: E605</p>		<p>15</p>
<p>8. PIVOTABLE CONNECTOR FOR WOODINOX HANDRAIL STYLE 2 INDITAL PART: E6070</p>		<p>10</p>
<p>9. WALL ANCHOR FOR HANDRAIL 45mm INDITAL PART: E6080</p>		<p>10</p>

7

# MISCELLANEOUS PARTS FOR WOODINOX

8

PRODUCT DESCRIPTION	PRODUCT VISUAL	PRODUCT QUANTITY
<p>1. THREADED NUT (M6X1") FOR WOODINOX HANDRAIL INCLUDED WITH HANDRAIL SUPPORT E4586; NOT WITH HANDRAIL SUPPORT E0224  <b>INDITAL PART: EINSM6X12</b></p>		<p>100</p>
<p>2. DRILL GAUGE FOR WOOD HANDRAIL  <b>INDITAL PART: E600/D</b></p>		<p>25</p>
<p>3. DRILLING TEMPLATES FOR WOODINOX HANDRAIL  <b>INDITAL PART: E600/D1</b></p>		<p>15</p>
<p>4. SUPPORT FOR END CAPS AND FITTINGS (PLASTIC)  <b>INDITAL PART: E600/T</b></p>		<p>144</p>

8

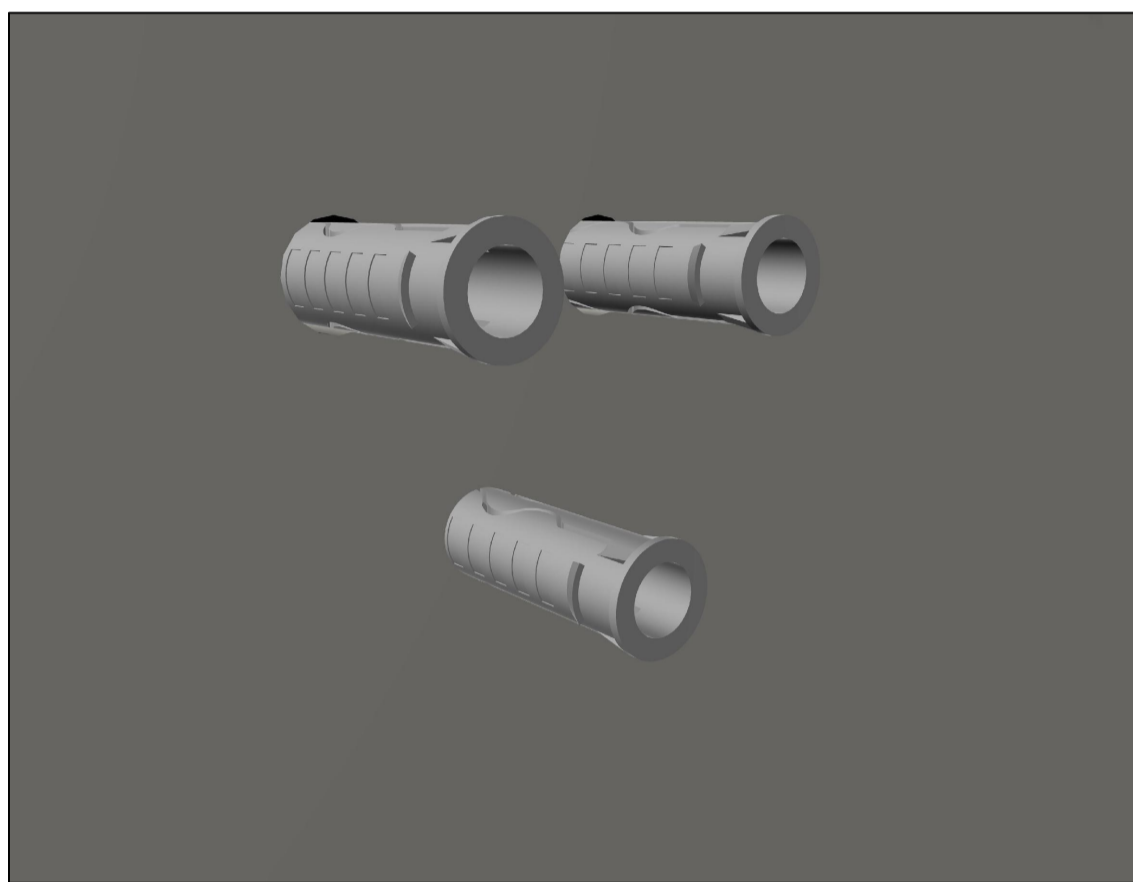


# HOW TO ATTACH HANDRAIL SUPPORT E022/S

9



1. MARK THE PLACEMENT OF THE HANDRAIL SUPPORT USING THE HANDRAIL SUPPORT (E022/S) AS A TEMPLATE



2. IF BLOCKING IS NOT PROVIDED, DRYWALL ANCHORAGES CAN BE USED AS SHOWN FOR ADDED STABILITY.



3. FASTEN HANDRAIL SUPPORT (E022/S) TO WALL UTILIZING LAG SCREWS INCLUDED, TO BE INSERTED INTO DRYWALL ANCHORAGES, OR DRILLED INTO HOLES MARKED WITH BLOCKING.



4. PRIOR TO FASTENING THE HANDRAIL SUPPORT SADDLE TO THE STEM, POSITION THE FLANGE CANOPY TO COVER THE WALL FLANGE



5. UPON PLACING THE FLANGE CANOPY TO COVER FLANGE, FASTEN SADDLE TO STEM TO FINALIZED HANDRAIL SUPPORT.



6. FASTEN HANDRAIL (E001) TO HANDRAIL SUPPORTS (E022/S) USING THE M5 SCREWS (E0382) FOR WOOD.

**\*\* IF BRACING OF ANY SORT IS NOT AVAILABLE, UTILIZE DRYWALL ANCHORAGES FOR ADDED STABILITY**

9

# HOW TO ATTACH HANDRAIL SUPPORT BASE TO ADAPTER

1.) CUT HANDRAIL TO LENGTH

2.) IN ORDER TO ATTACH THE PREVIOUSLY MENTIONED HANDRAIL SUPPORTS, THE CUSTOMER WILL NEED TO UTILIZE THE M6 THREADED NUT (EINSM6X12) THAT WILL ALLOW THE ADAPTER (INCLUDED WITH HANDRAIL SUPPORT) TO CONNECT THE HANDRAIL SUPPORT TO THE WOOD HANDRAIL.

3.) DETERMINE PLACEMENT OF HANDRAIL SUPPORTS ALONG WALL RAIL AND MARK LOCATION.

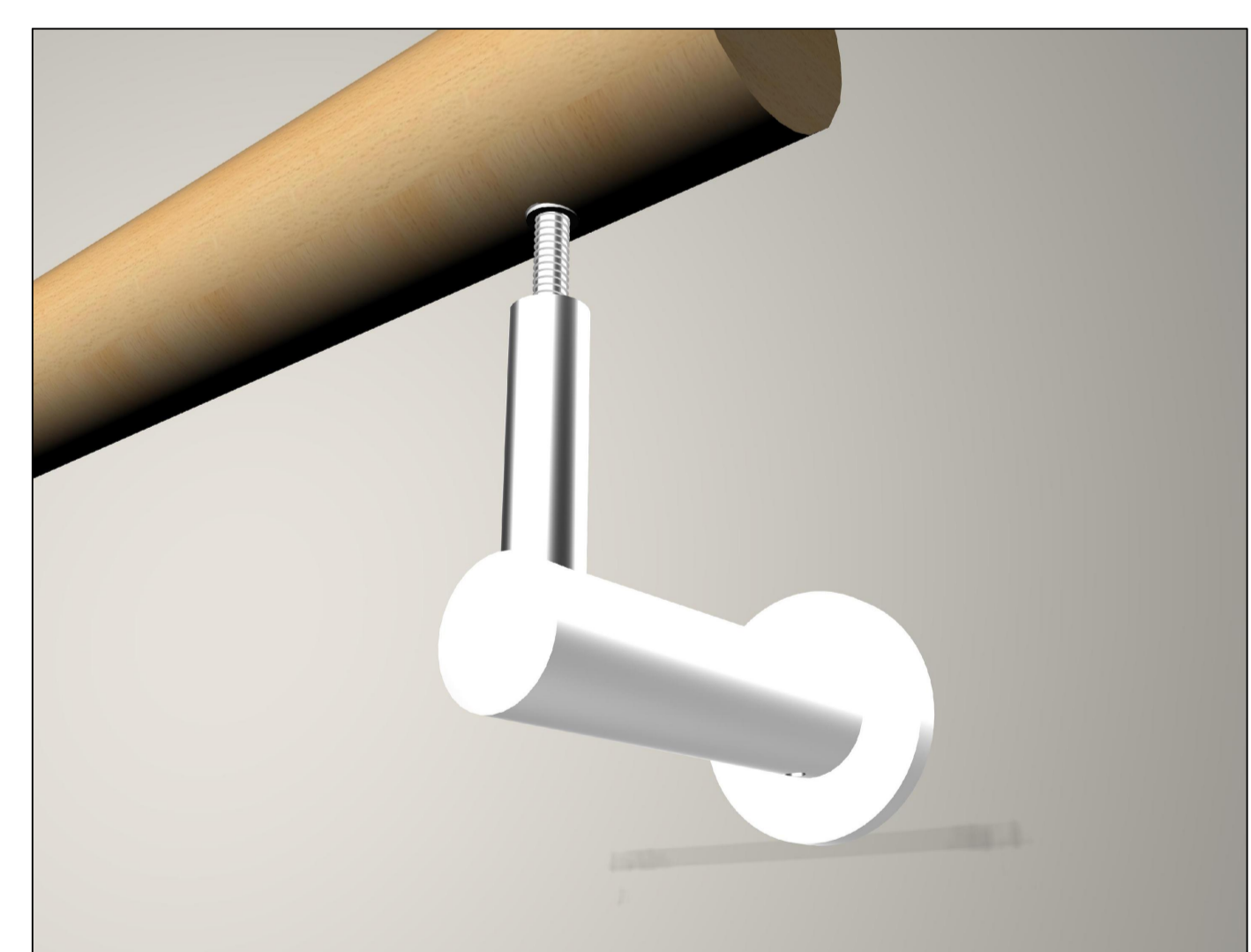
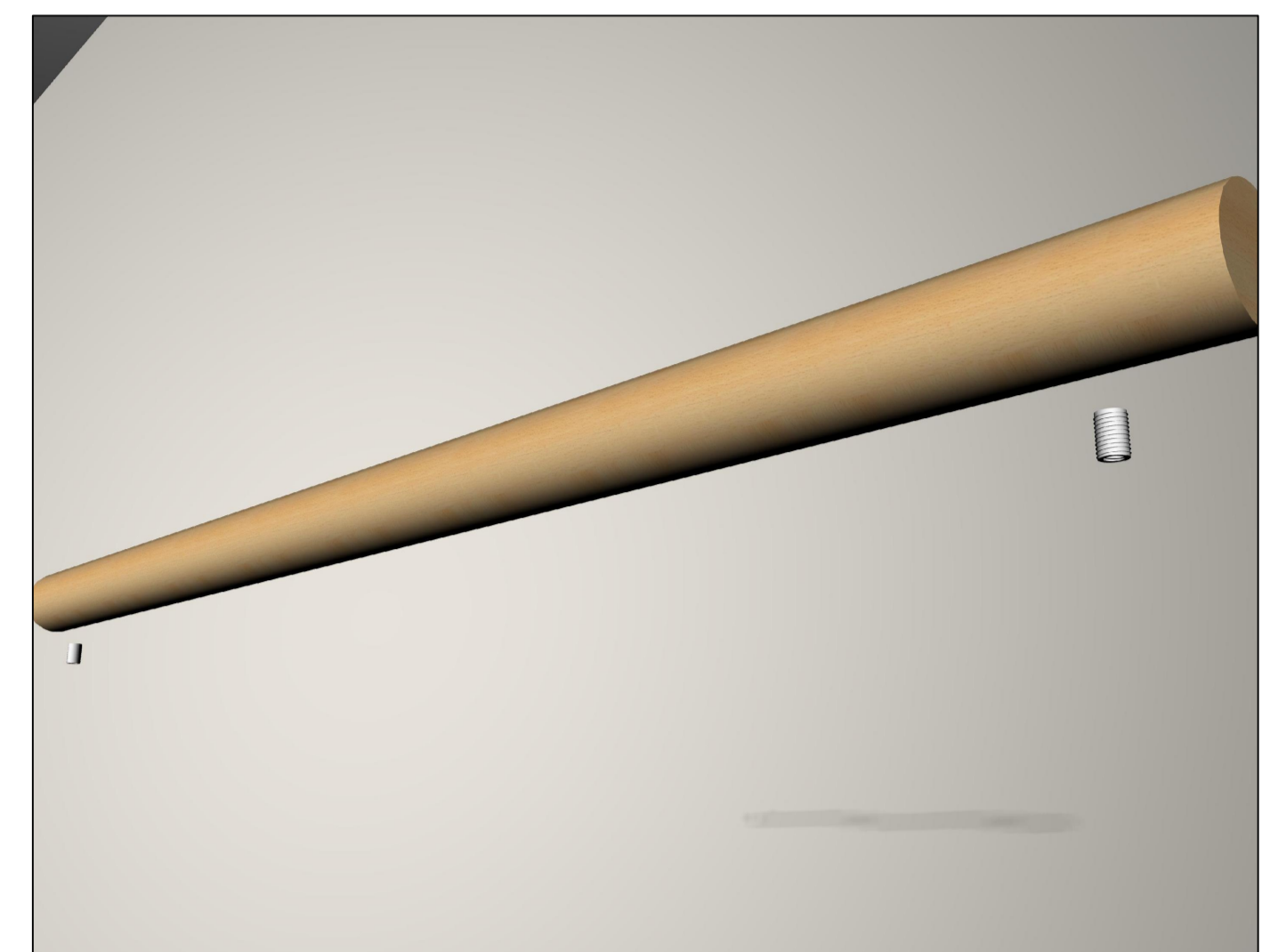
4.) INSTALL THE M6 THREADED NUT (EINSM6X12) AT THE MARKED LOCATIONS.

**\*\*DRILL ~1" INTO THE HANDRAIL**

5.) UTILIZING THE THREADED SCREWS PROVIDED, INSERT INTO THE HANDRAIL SUPPORTS.

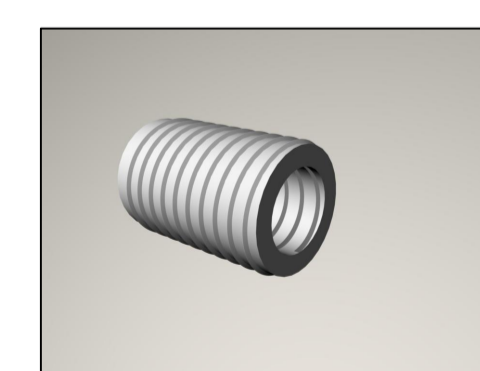
6.) SCREW HANDRAIL SUPPORTS INTO HANDRAIL AT LOCATIONS UTILIZING M6 THREADED SCREW.

**\*\* IF BRACING OF ANY SORT IS NOT AVAILABLE, UTILIZE DRYWALL ANCHORAGES FOR ADDED STABILITY**

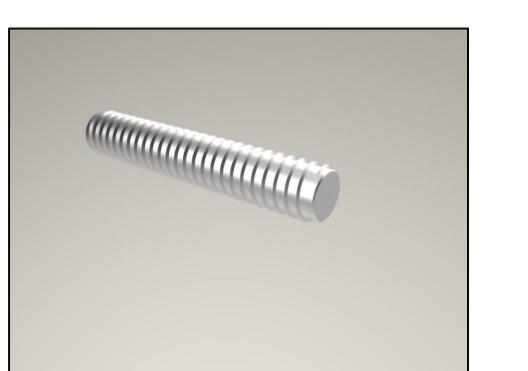


**E0224  
(NOT INCLUDED)**

EINSM6X12

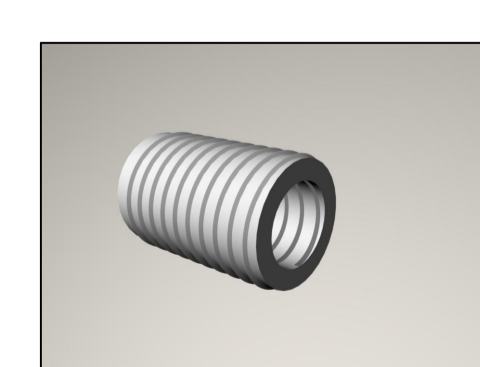


ESM614

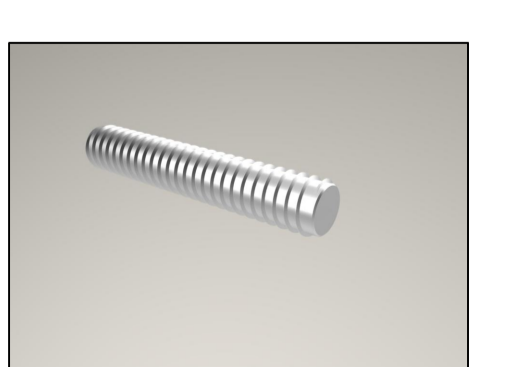


**E4586  
(INCLUDED)**

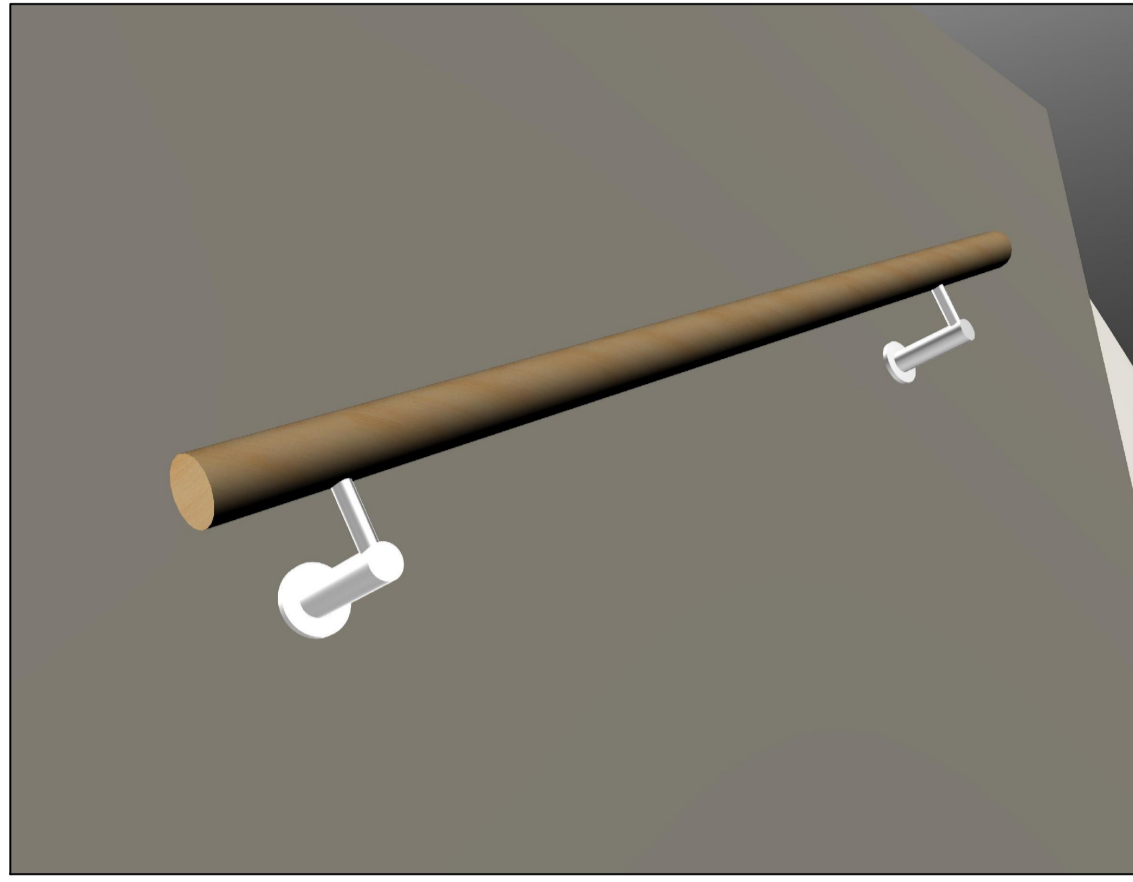
EINSM6X12



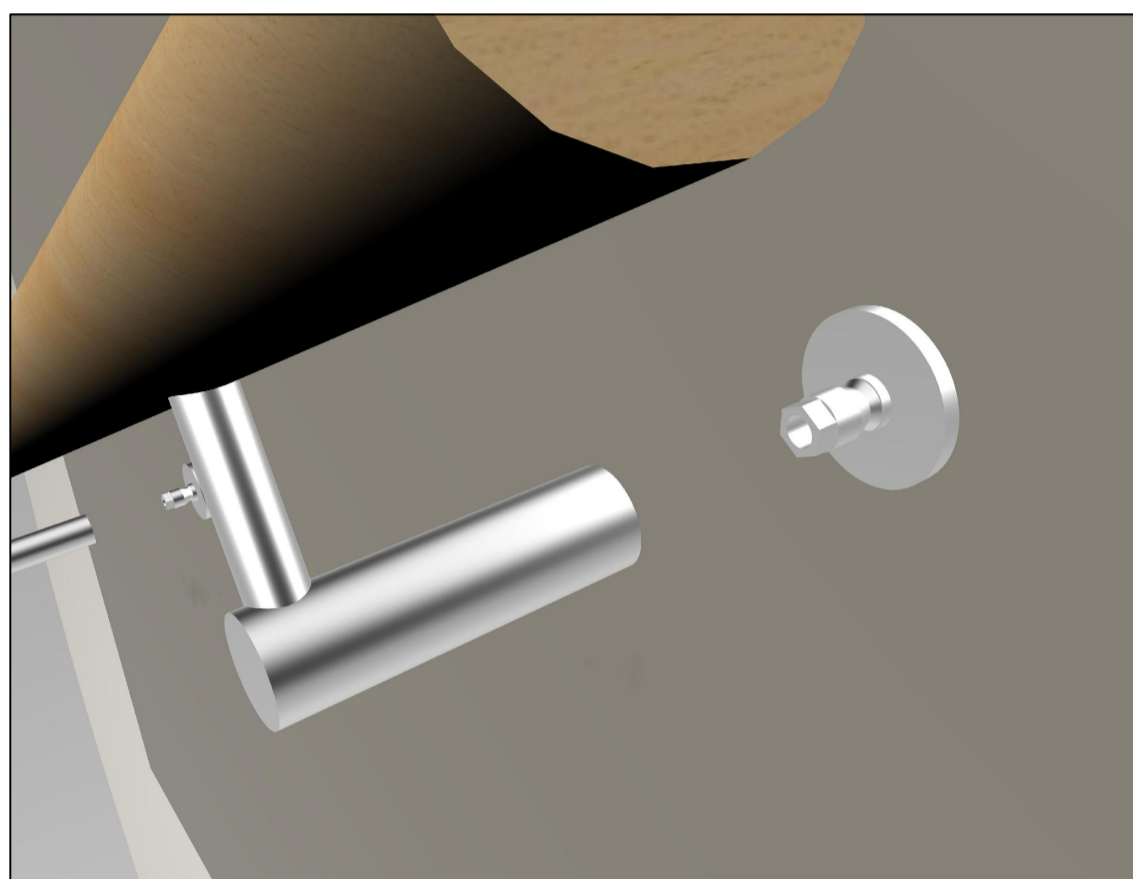
ESM614



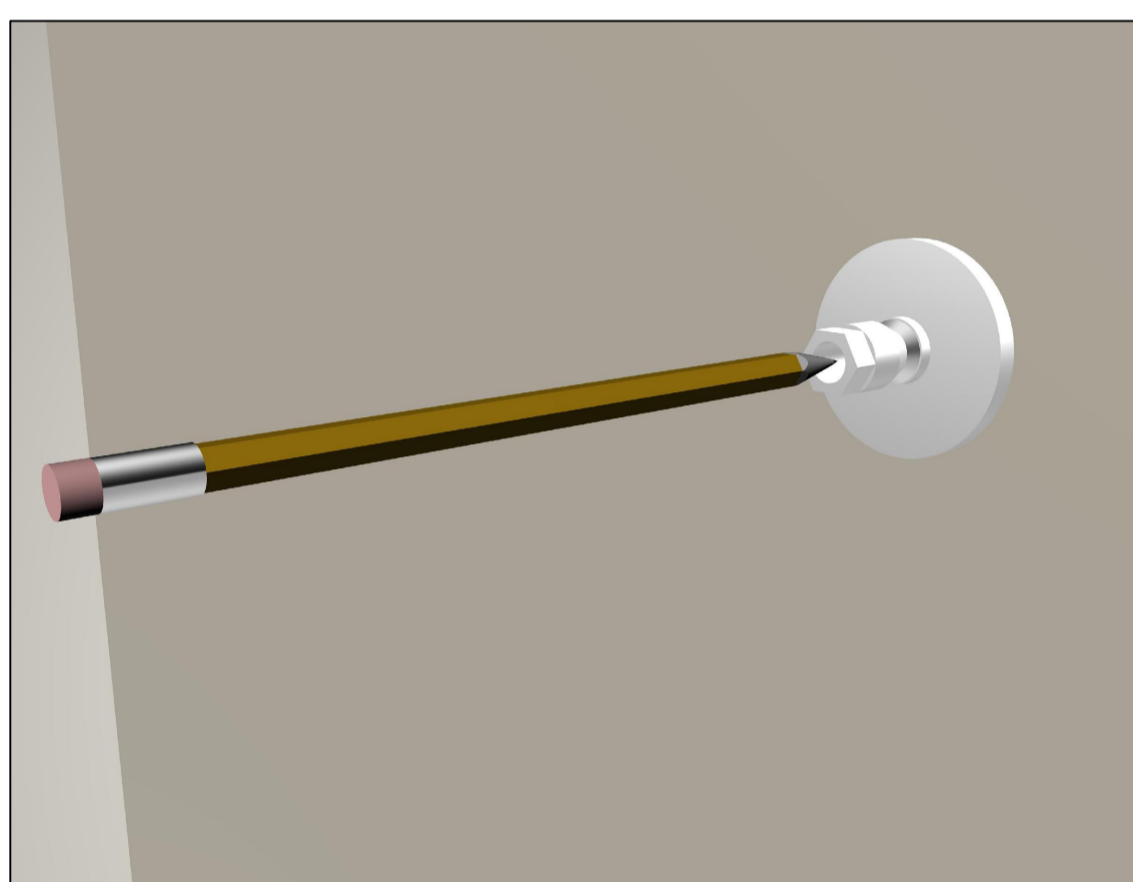
# HOW TO ATTACH HANDRAIL SUPPORT E4586



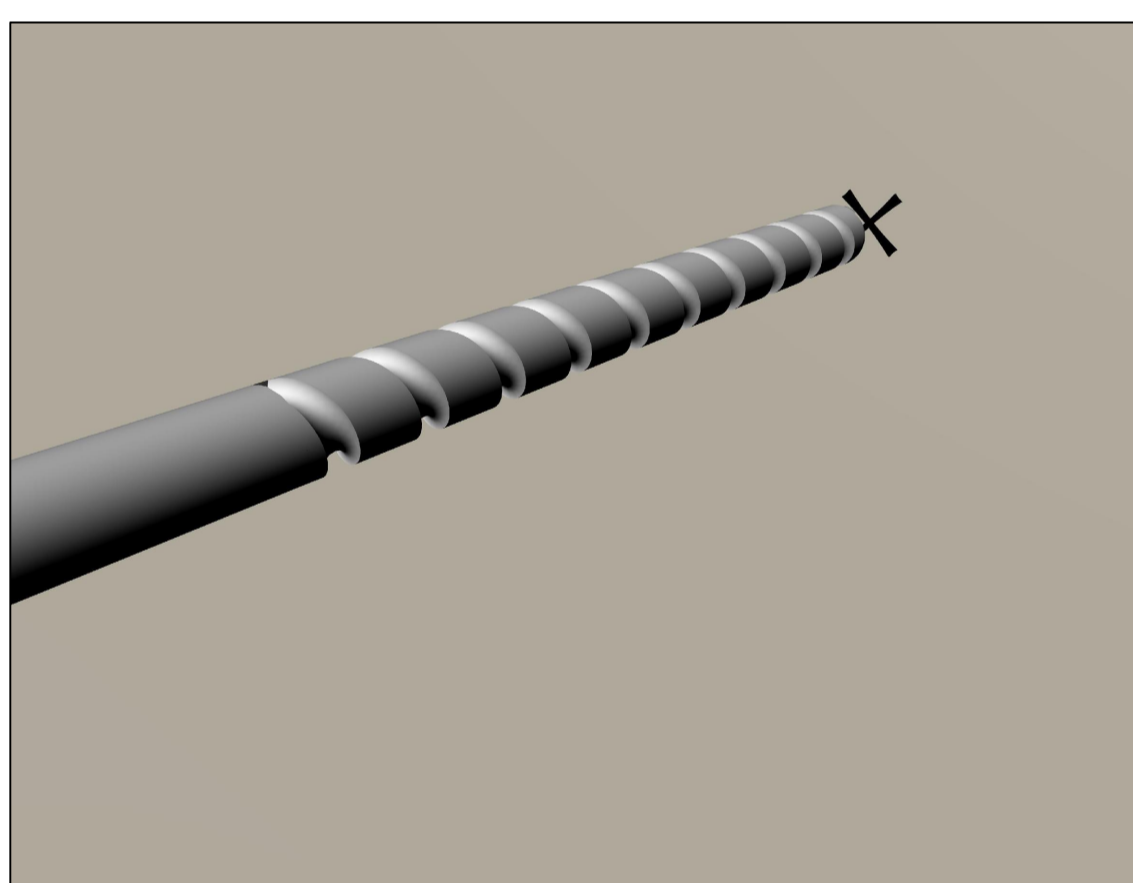
1. ATTACH THE SUPPORT STRUCTURE FOR THE HANDRAIL BY UTILIZING STEPS SHOWN ON PAGE 10.



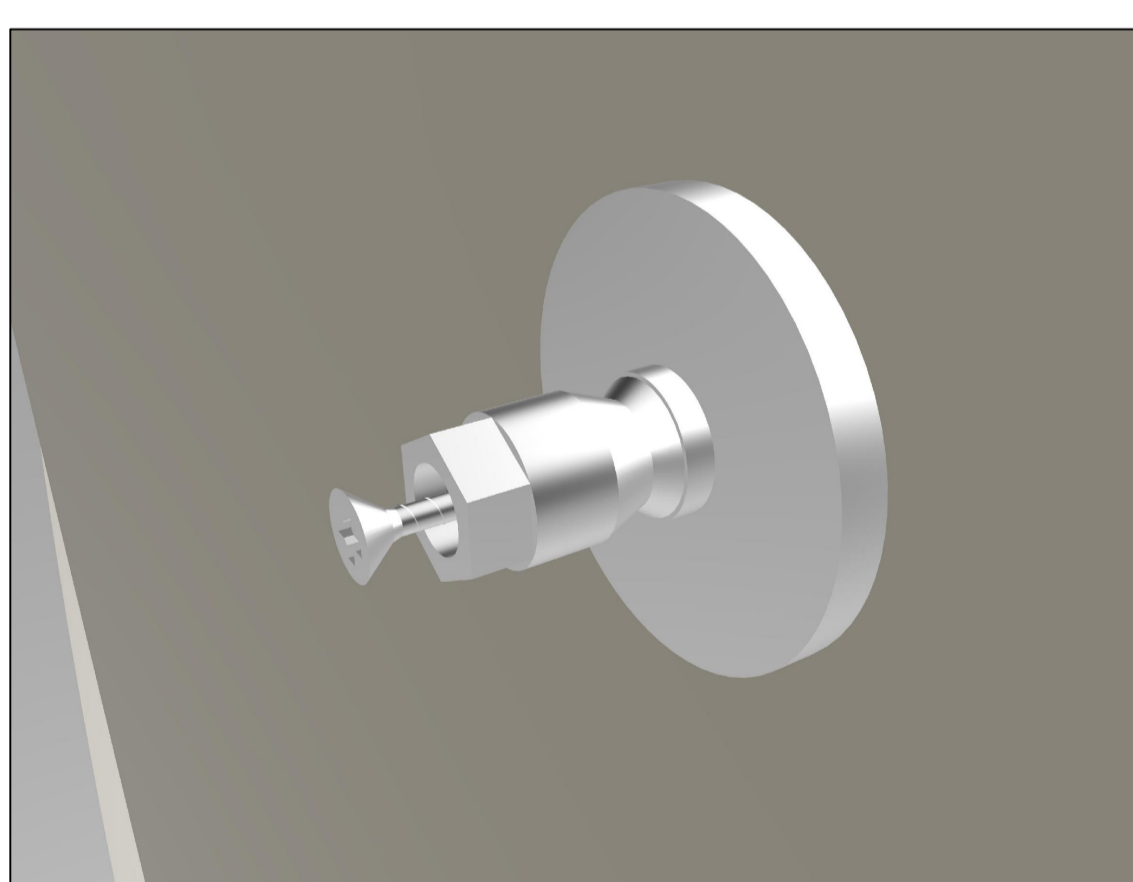
2. ONCE YOU HAVE ESTABLISHED PLACEMENT OF HANDRAIL, AND HANDRAIL SUPPORT, REMOVE HANDRAIL AND ATTACHED SUPPORT, SEPARATING THE BACK BASE.



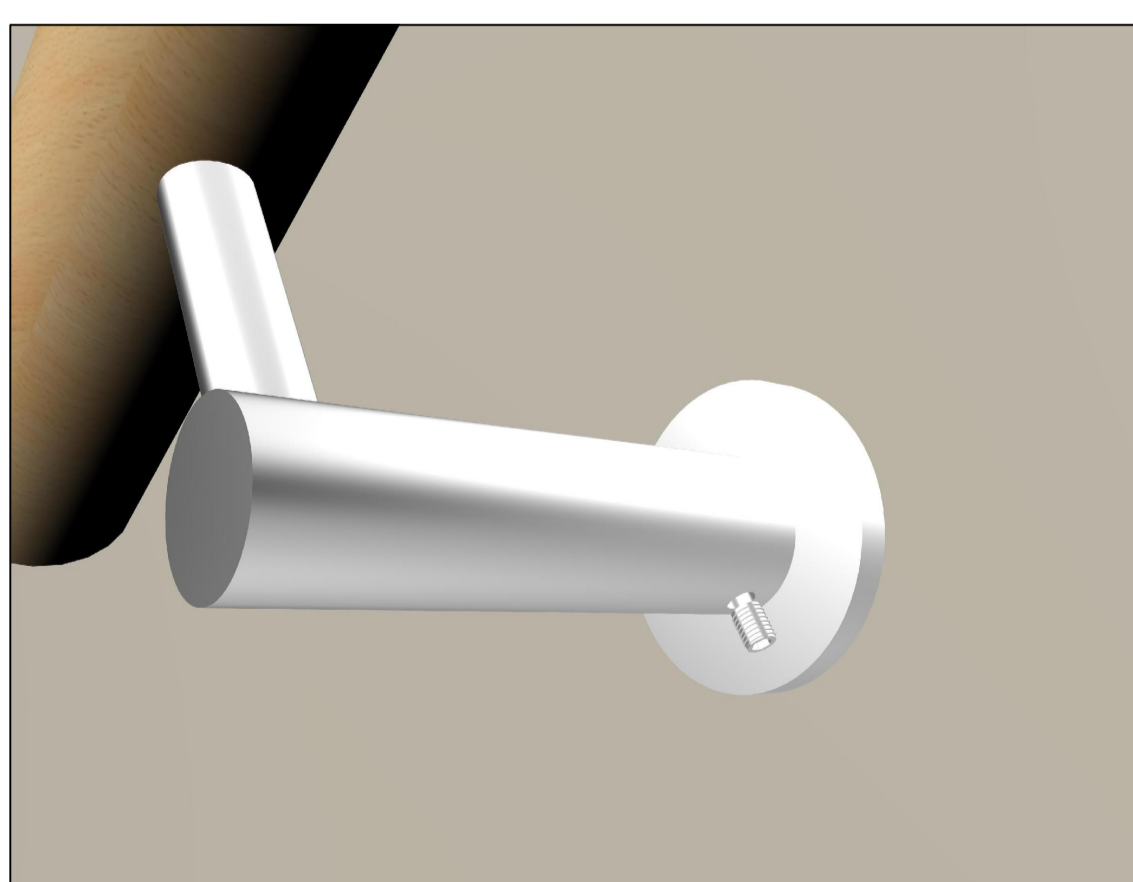
3. MARK THE LOCATION, TO SOLIDIFY POSITION.



4. USING A 17/64" DRILL BIT DRILL THE HOLE PREVIOUSLY MARKED. THEN, ANCHOR BASE TO WALL; IF BLOCKING IS NOT PROVIDED, DRYWALL ANCHORAGES CAN BE USED



5. ONCE BASE IS ANCHORED TO WALL, REATTACHED HANDRAIL SUPPORT AND FASTEN UTILIZING THE SET SCREW ON THE UNDER SIDE OF THE SUPPORT.

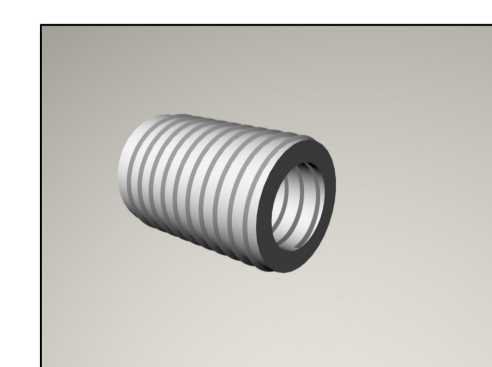


6. THIS WILL COMPLETE YOUR HANDRAIL SUPPORT ATTACHMENT TO THE WALL FOR THE E4586

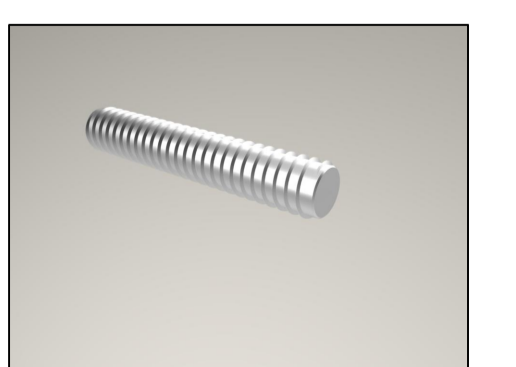
**\*\* IF BRACING OF ANY SORT IS NOT AVAILABLE, UTILIZE DRYWALL ANCHORAGES FOR ADDED STABILITY**

**E4586  
(INCLUDED)**

**EINSM6X12**

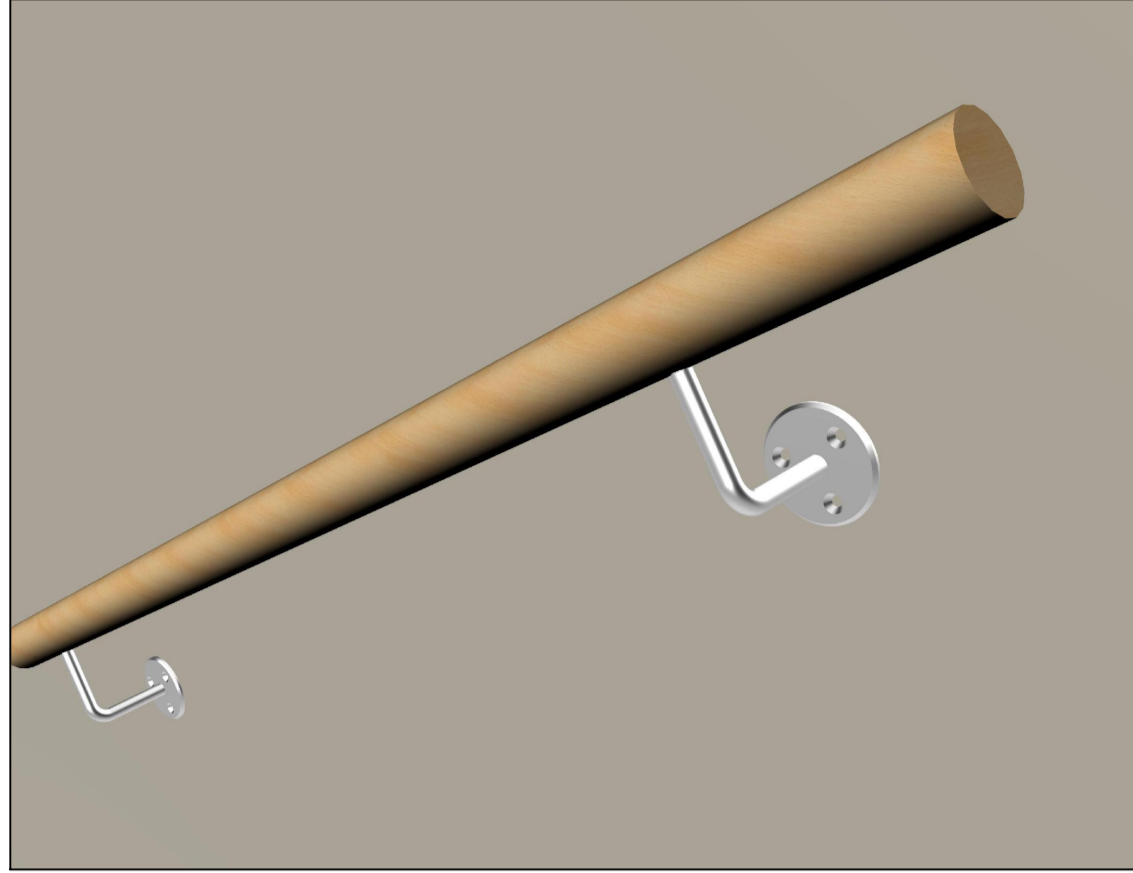


**ESM614**

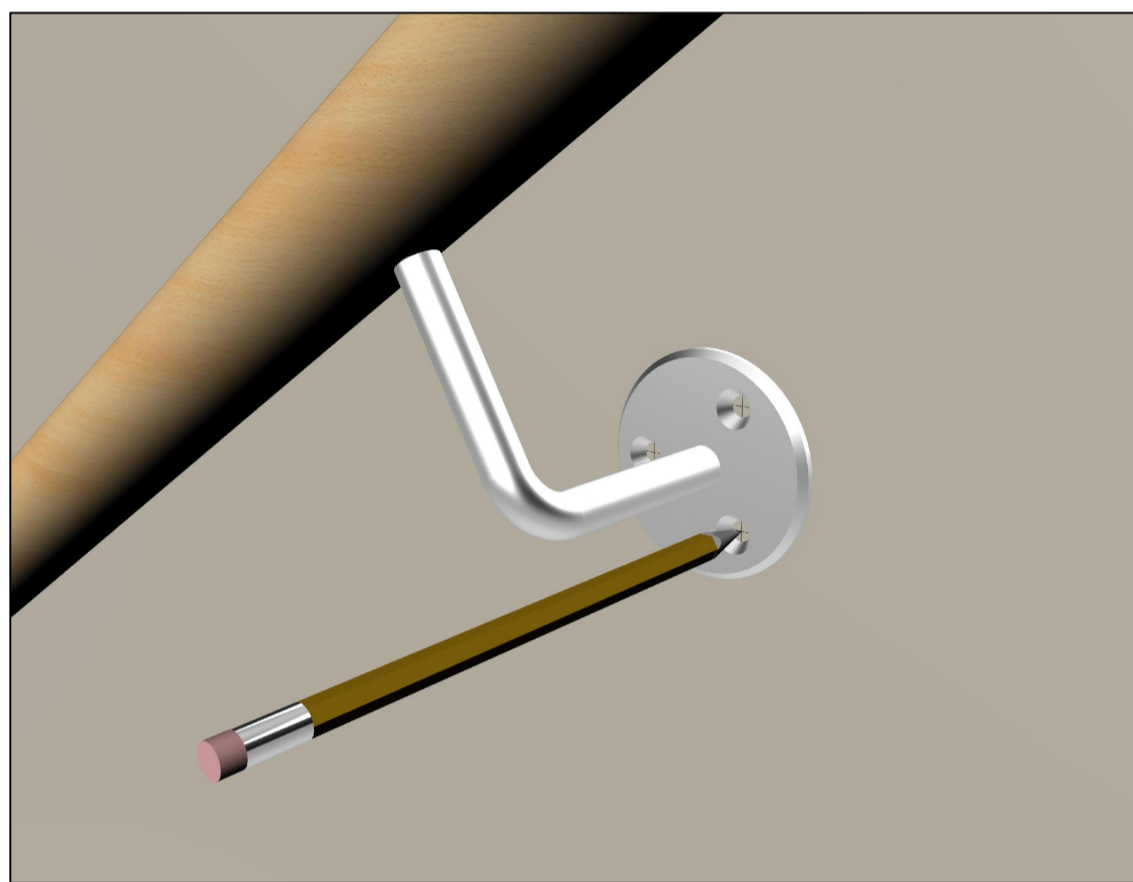


# HOW TO ATTACH HANDRAIL SUPPORT E0224

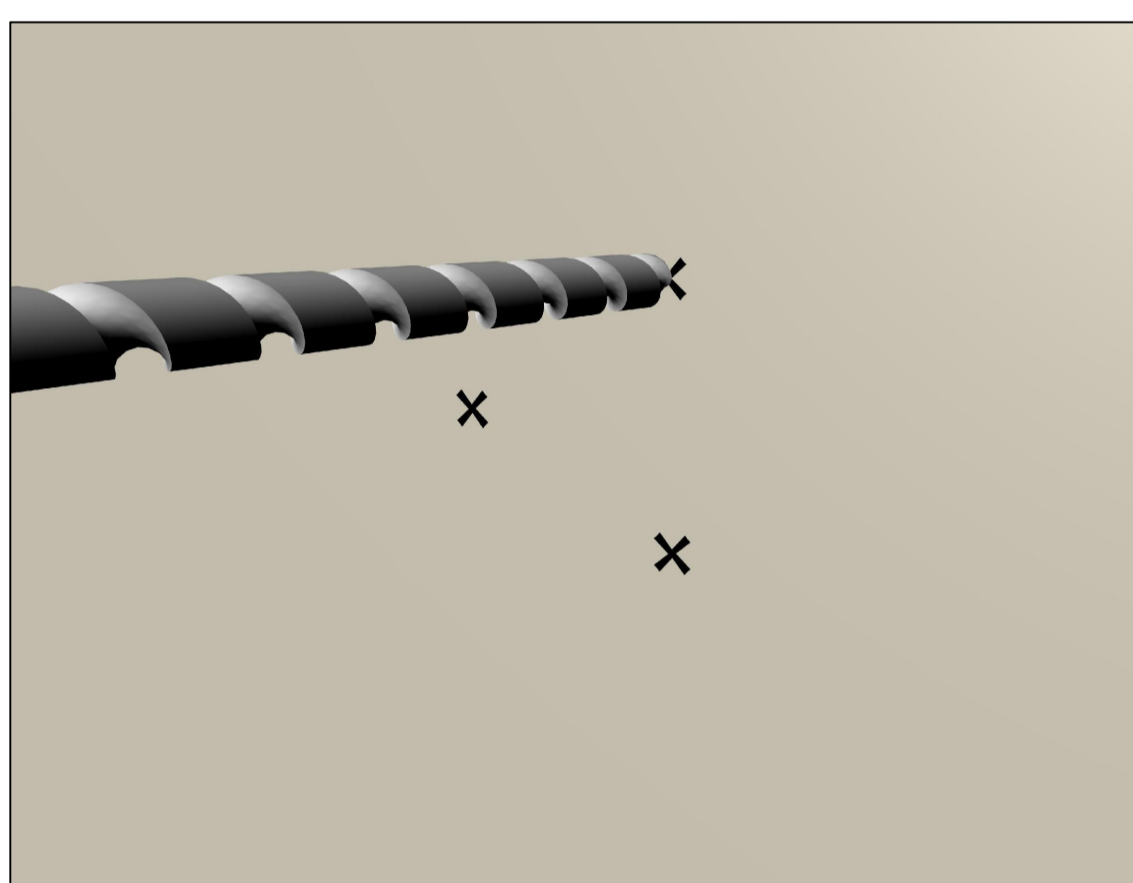
12



1. ATTACH THE SUPPORT STRUCTURE FOR THE HANDRAIL BY UTILIZING STEPS SHOWN ON PAGE 10.



2. ONCE YOU HAVE ESTABLISHED PLACEMENT OF HANDRAIL, AND HANDRAIL SUPPORT, MARK THE LOCATION FOR DRILLING



3. USING A 1/4" DRILL BIT, DRILL THE HOLE PREVIOUSLY MARKED.



4. MOUNT THE HANDRAIL SUPPORT TO THE WALL UTILIZING THE PREDRILLED HOLES.

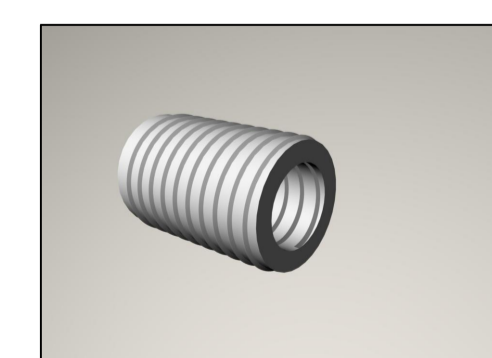
**\*\* IF BRACING OF ANY SORT IS NOT AVAILABLE, UTILIZE DRYWALL ANCHORAGES FOR ADDED STABILITY**

THIS HANDRAIL SUPPORT WILL NEED TO UTILIZE THE M6 THREADED ADAPTER (EINSM6X12) AND THE THREADED SCREW (ESM614). INSTALLER WILL NEED 1 PER HANDRAIL SUPPORT.

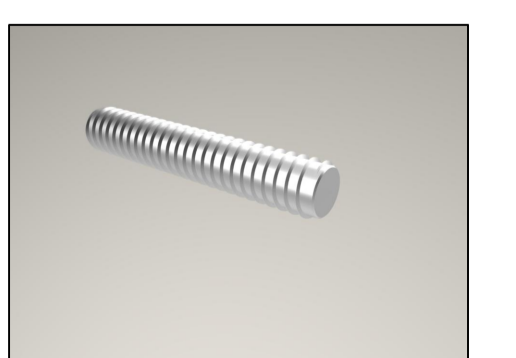
**\*\*DRILL ~1" INTO THE HANDRAIL**

**E0224  
(NOT INCLUDED)**

EINSM6X12



ESM614

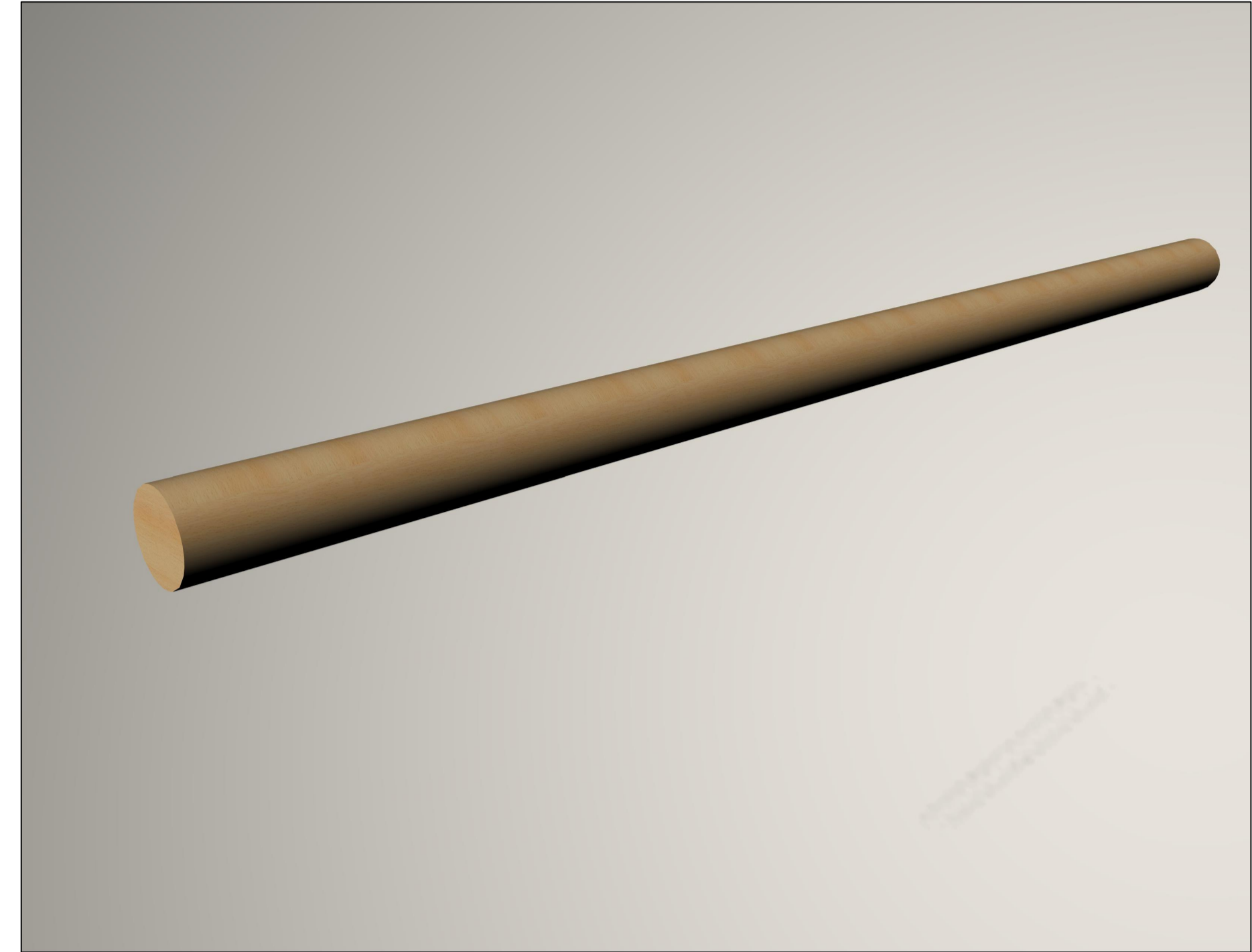


12

## HOW TO ATTACH CONNECTORS

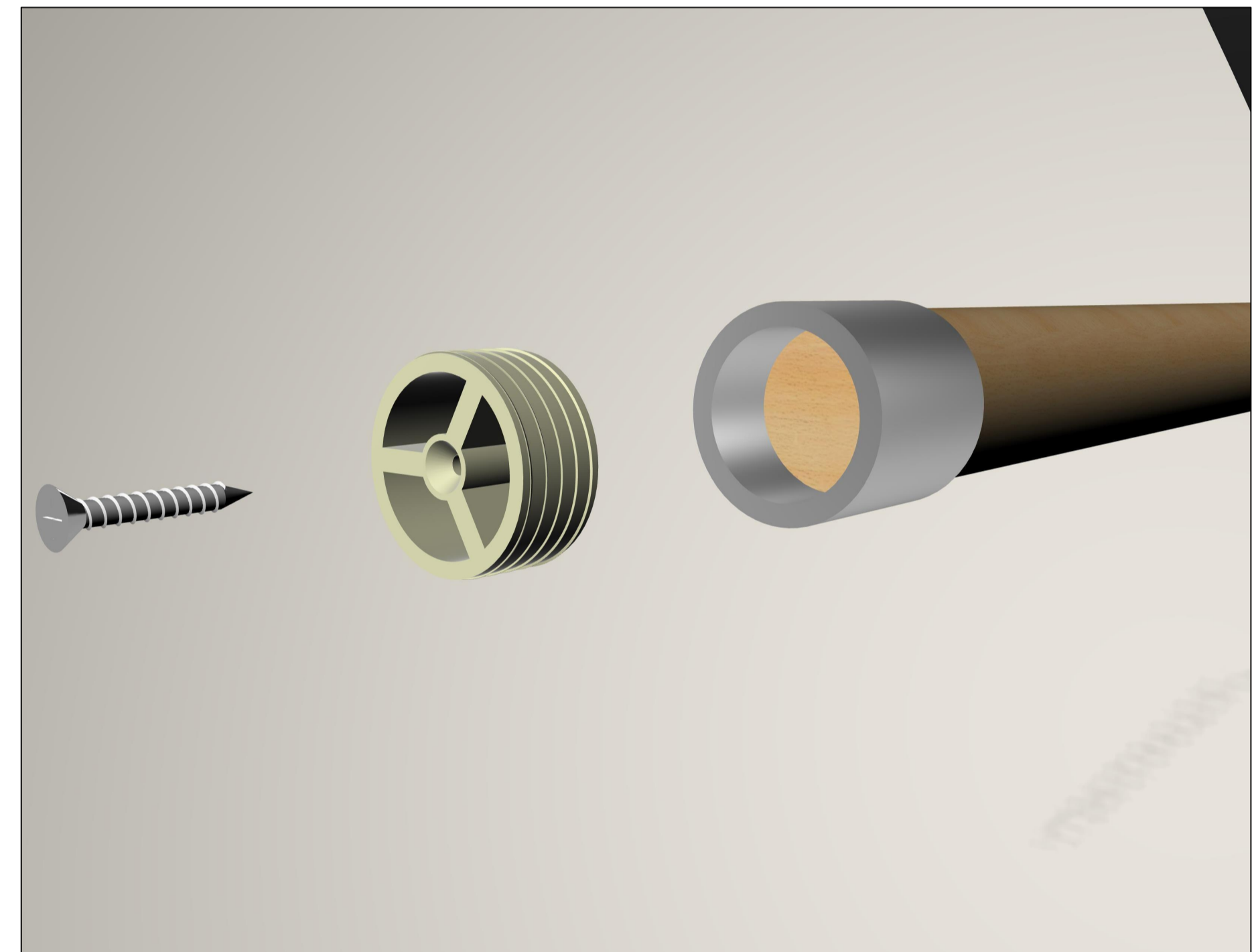
13

**1.) CUT HANDRAIL TO LENGTH**

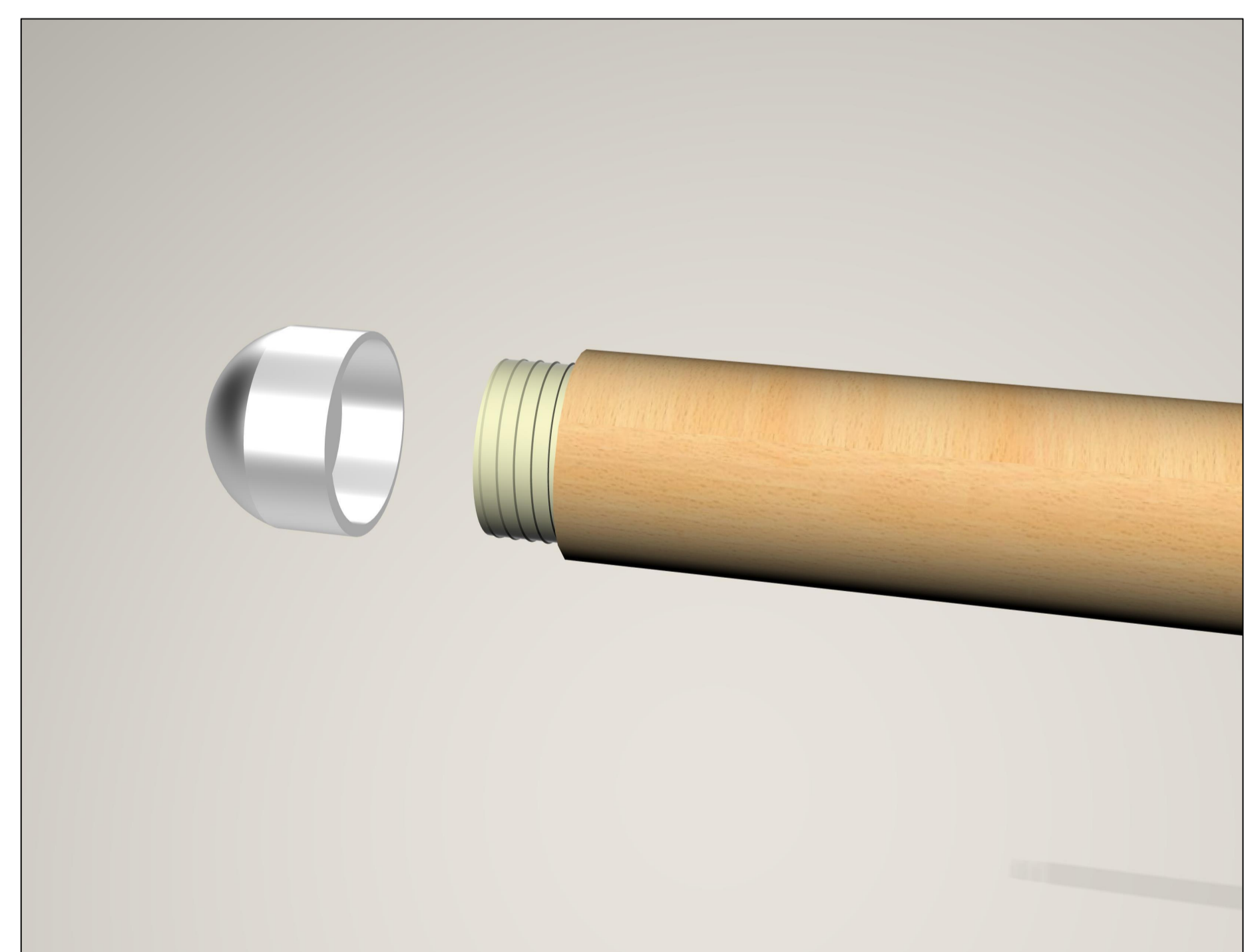


**2.) IN ORDER TO ATTACH CONNECTORS TO HANDRAIL, A MALE CONNECTOR MUST BE MOUNTED TO END OF HANDRAIL FOR ALL FEMALE PARTS.**

**3.) ATTACH GUIDE (E600/D) TO END OF HANDRAIL, AND PLACE MALE ADAPTER (E600/T) WITHIN EXPOSED END OF THE GUIDE.**



**4.) USING THE WOOD SCREW INCLUDED, ATTACH MALE ADAPTER (E600/T) TO END OF HANDRAIL ALLOWING FOR CONNECTORS TO BE ATTACHED.**



**5.) PLACE NEEDED CONNECTOR IN ACCORDANCE TO YOUR APPLICATION, AND REPEAT STEPS THROUGHOUT.**

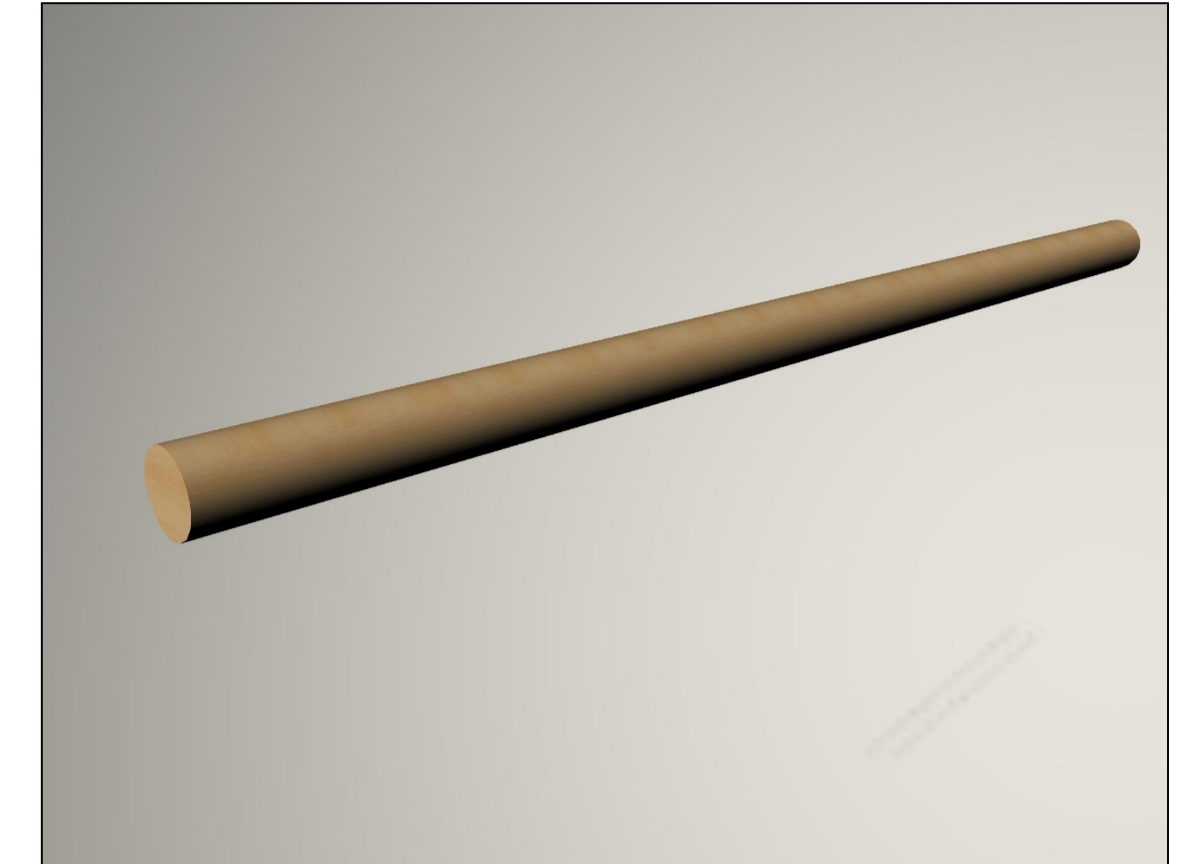
**\*\*UTILIZE APOXY WHEN ATTACHING CONNECTORS TO MALE ADAPTER FOR A MORE SECURE BOND.**

13

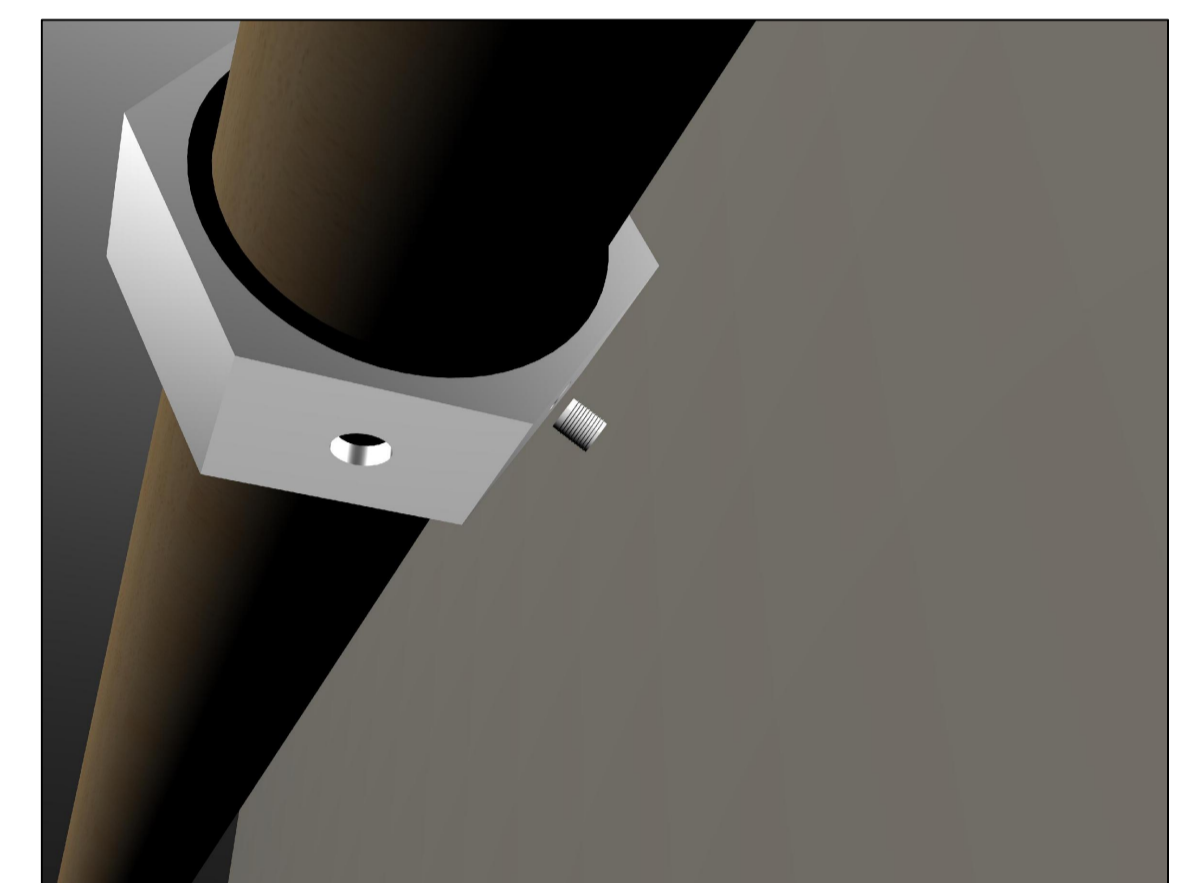
## GUIDE FOR HANDRAIL SUPPORTS E0224 & E4586

14

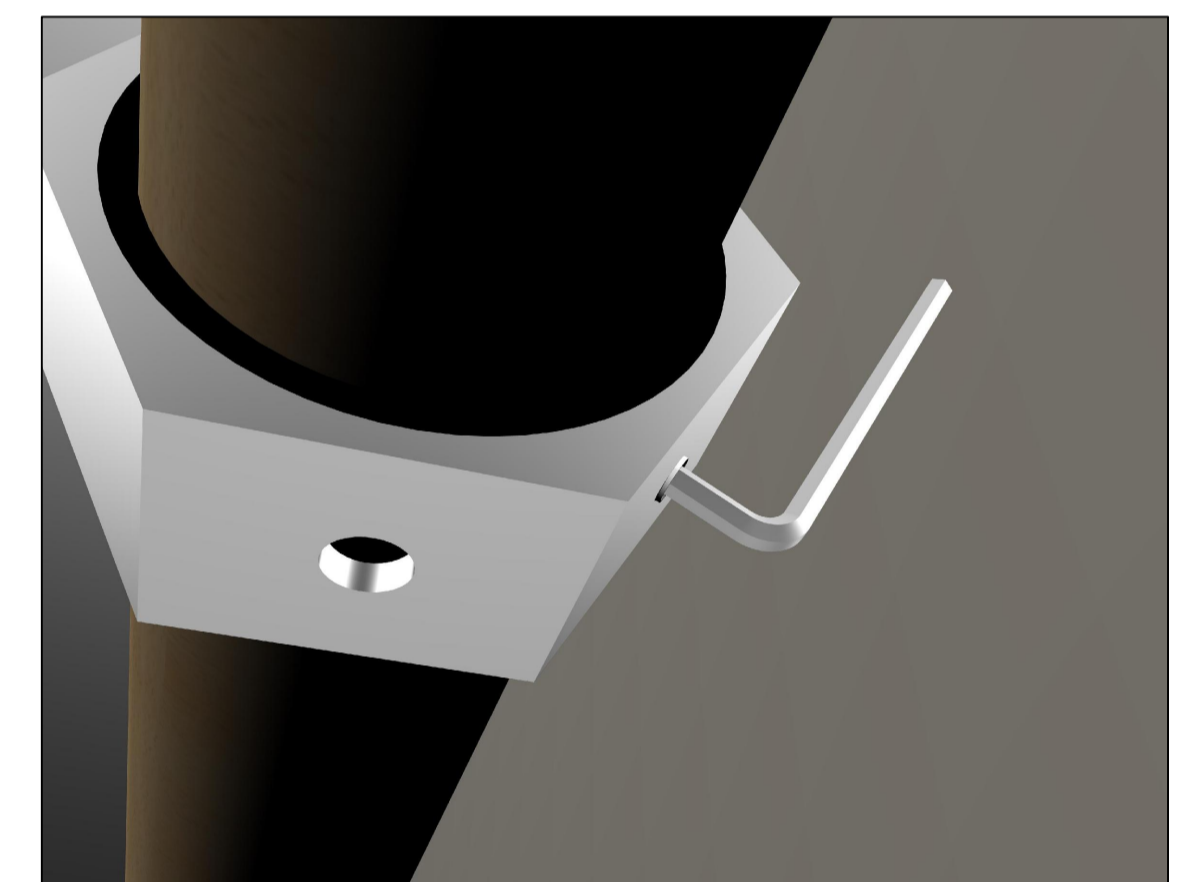
1.) USING YOUR CUT TO LENGTH HANDRAIL, PLACE THE HEXAGONAL GUIDE OVER THE DESIRED HANDRAIL SUPPORT LOCATION.



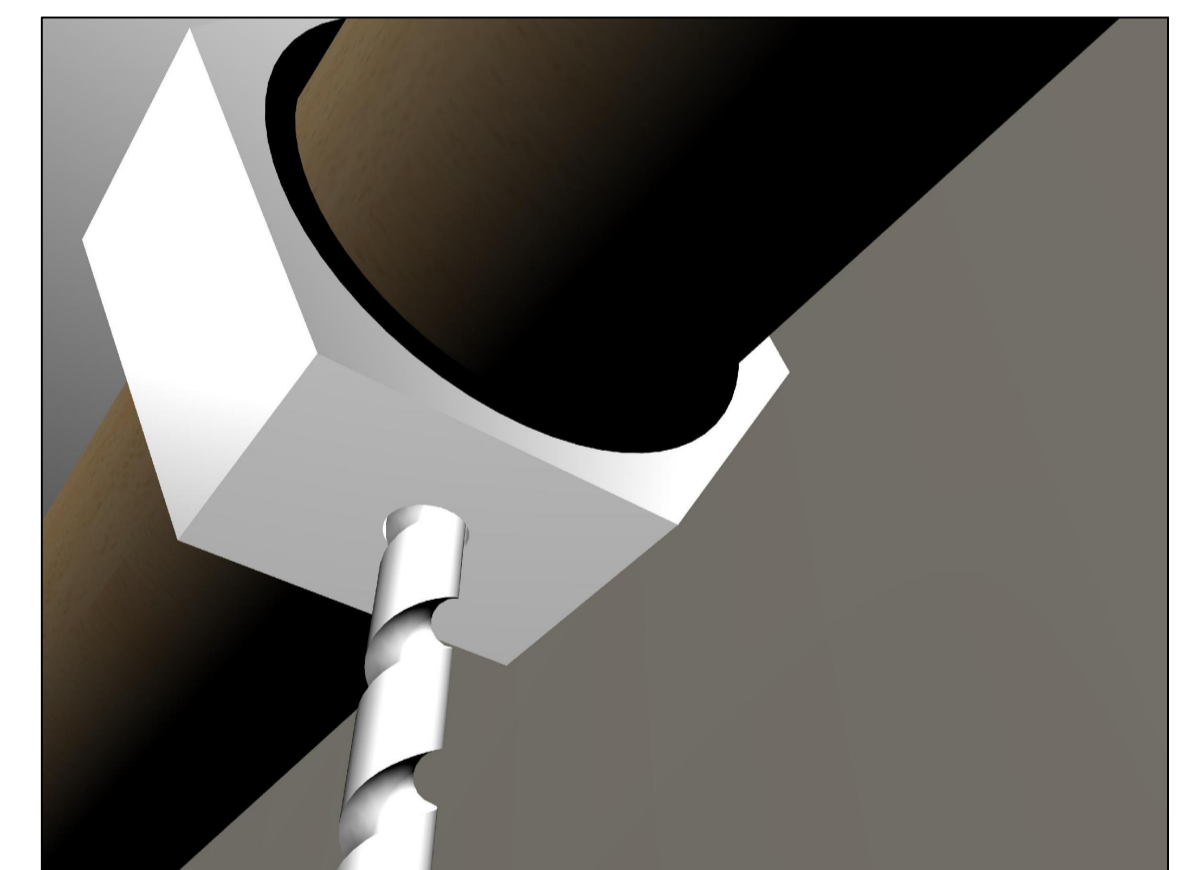
2.) WHEN UTILIZING THE HEXAGONAL GUIDE, PLACE SET SCREW ON WALL FACING SIDE.



3.) ONCE SET IN DESIRED LOCATION USING AN ALLEN WRENCH TIGHTEN THE SET SCREW TO SOLIDIFY PLACEMENT FOR DRILLING.

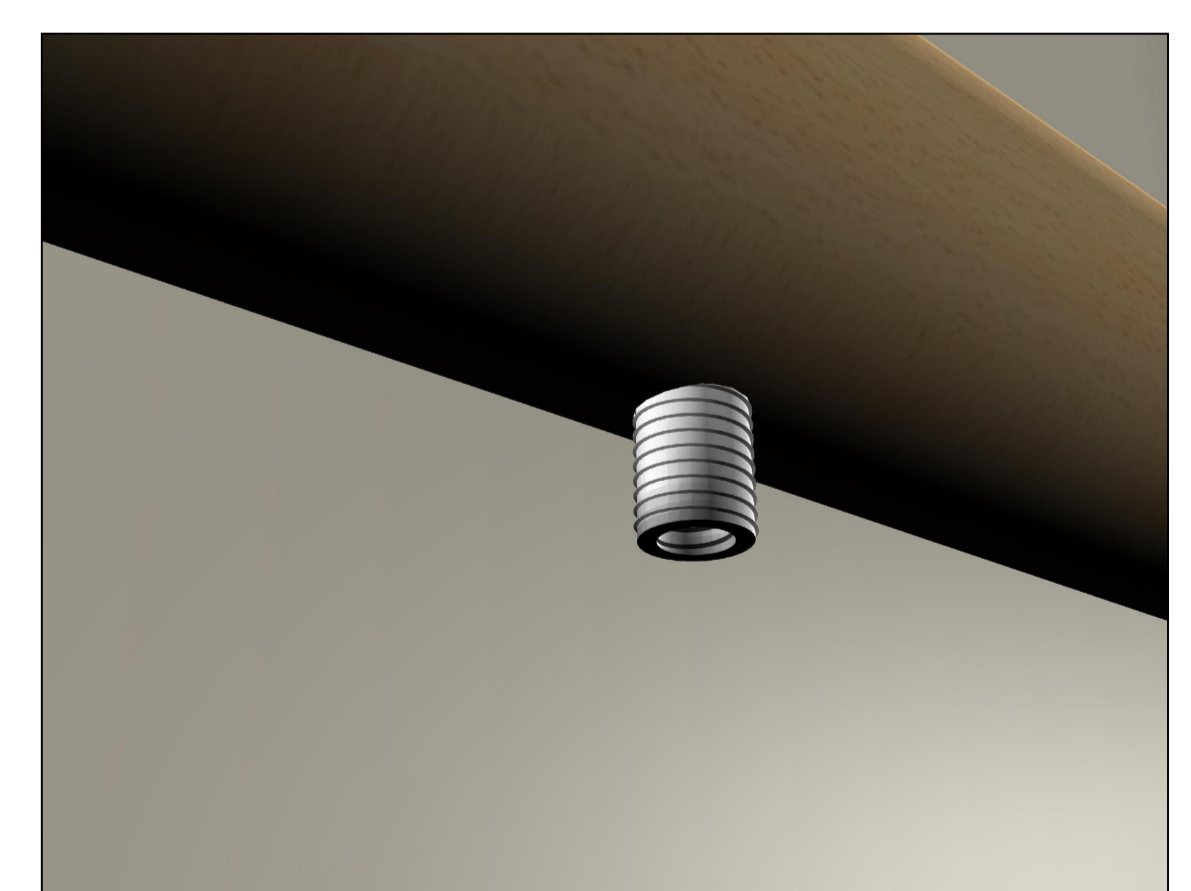


4.) ONCE SET IN DESIRED LOCATION, USING A 15/64" DRILL BIT DRILL HOLE IN MARKED LOCATION, FOR INSERTION OF M6 THREADED ADAPTER (EINSM6X12).

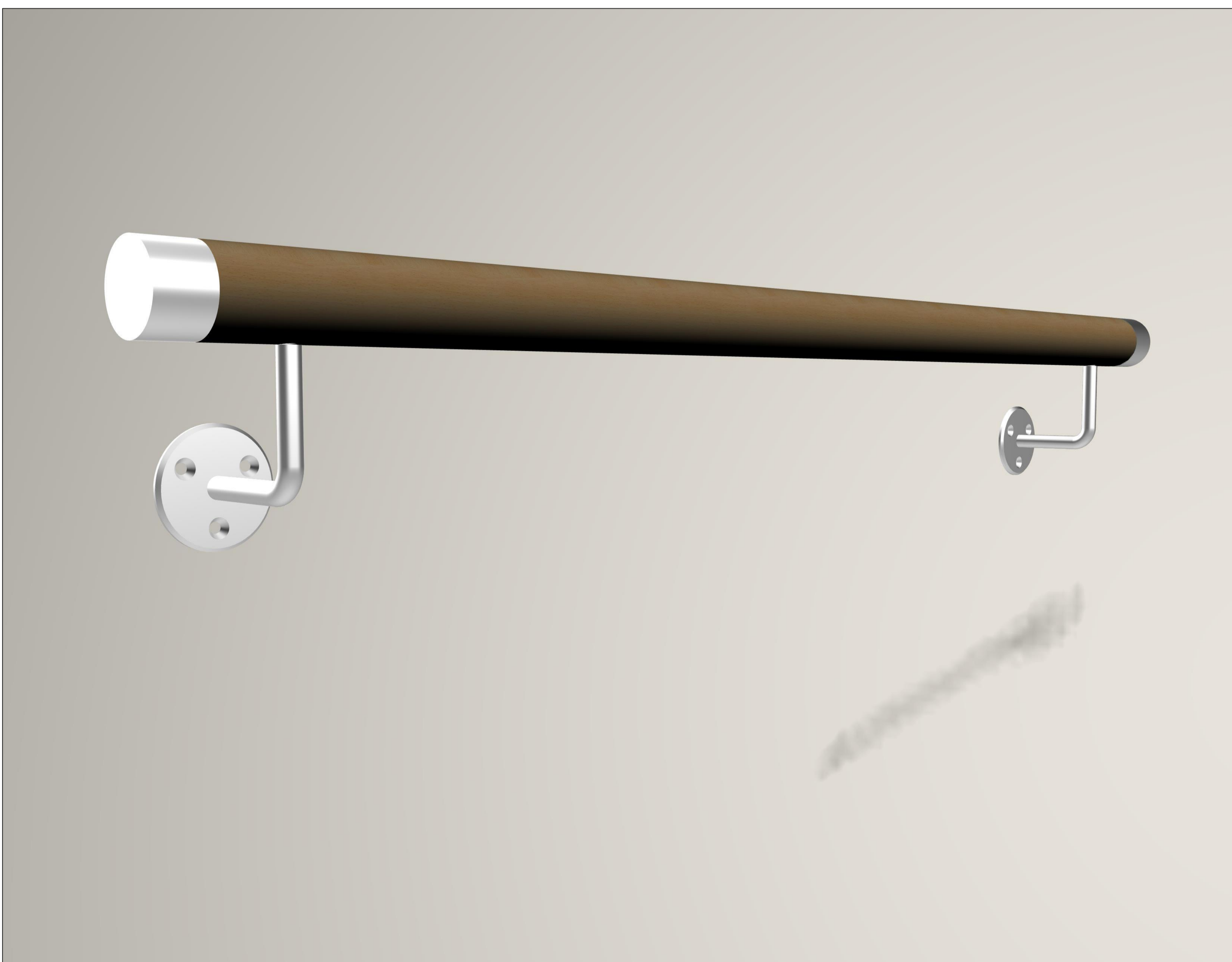
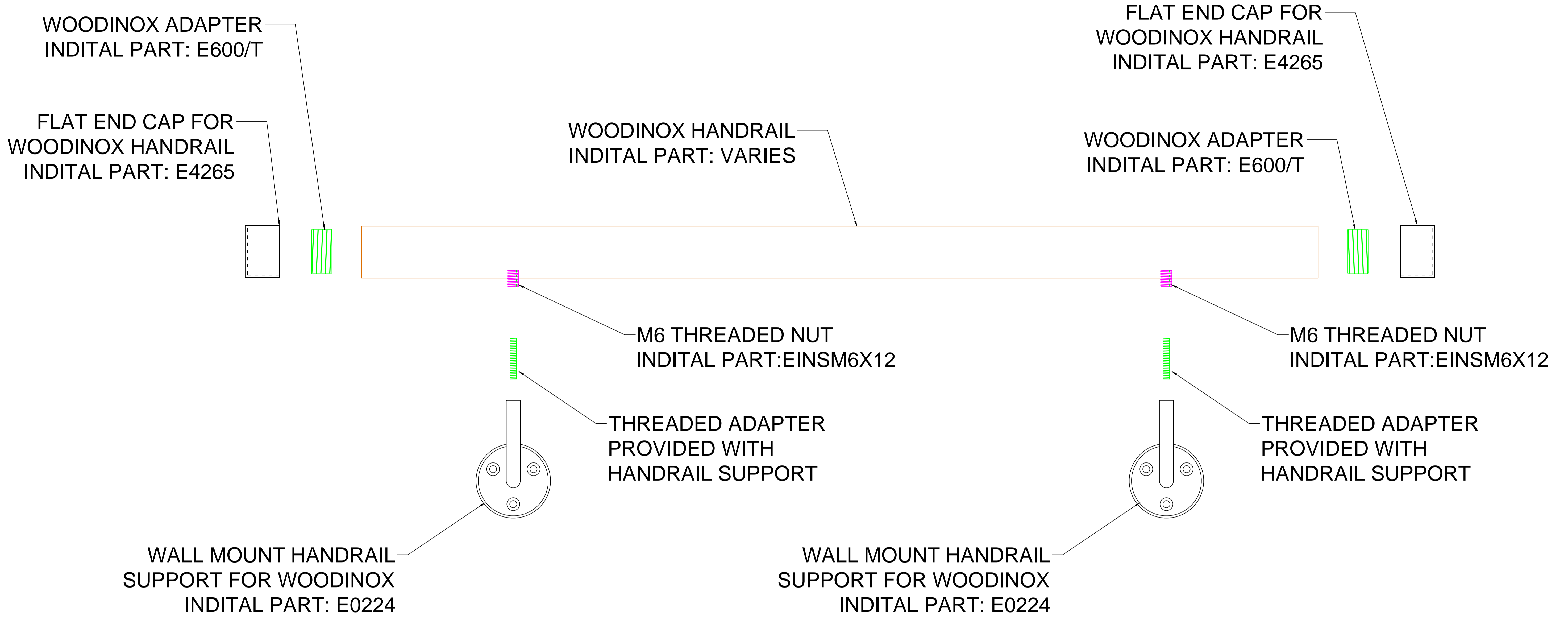


**\*\*DRILL ~1" INTO THE HANDRAIL**

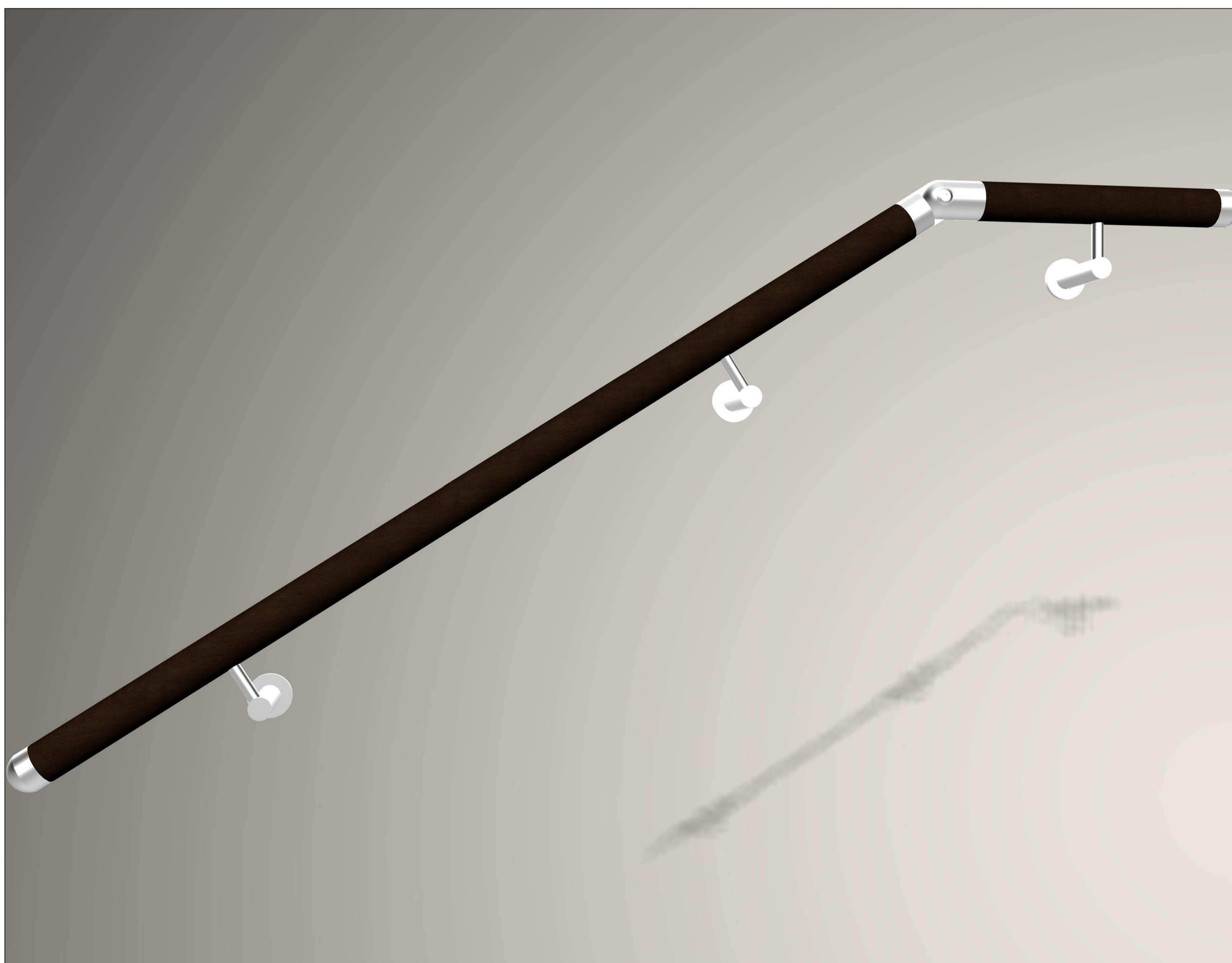
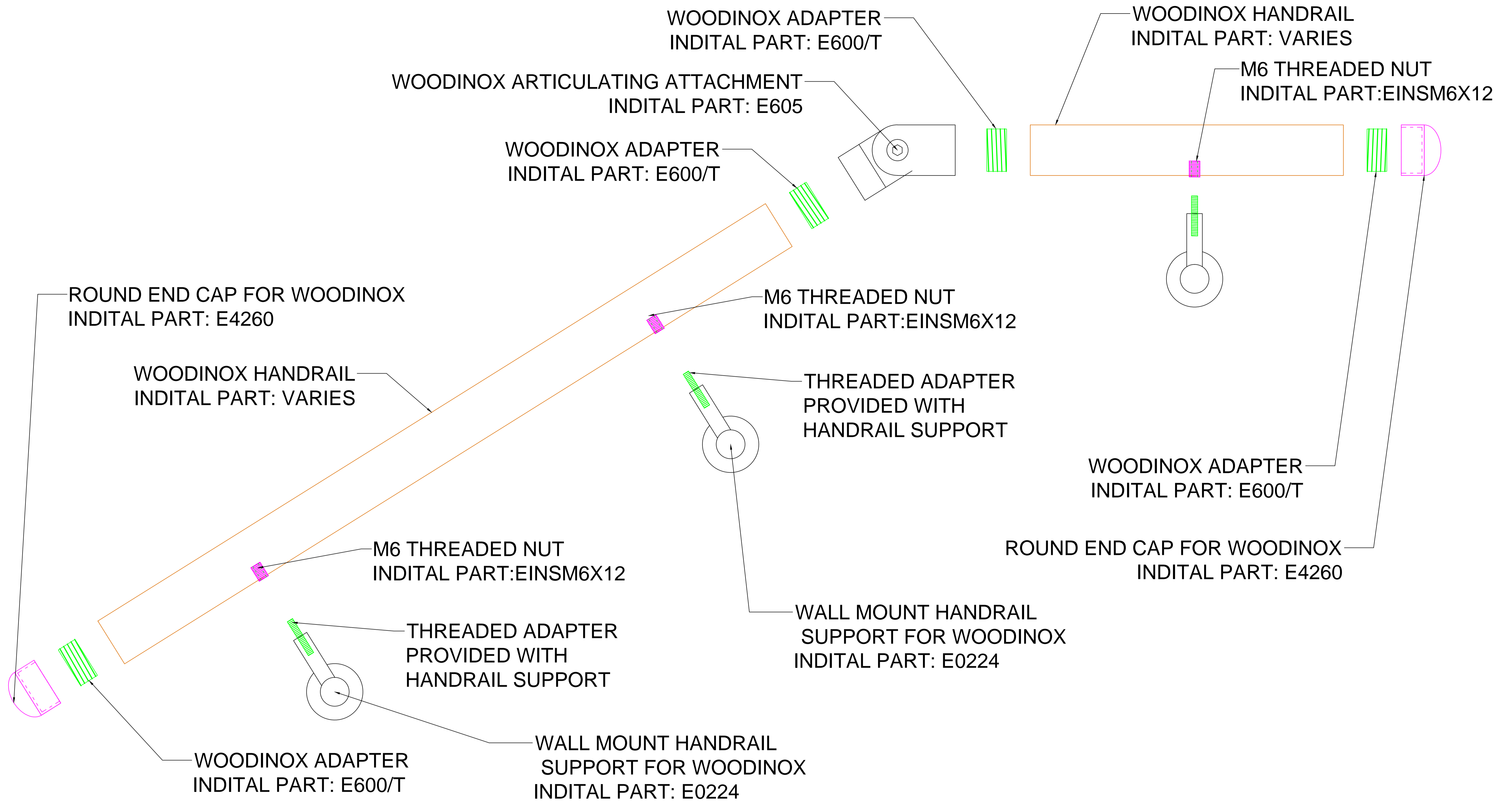
5.) AFTER HOLE IS DRILLED RELEASE HEXAGONAL GUIDE AND INSERT THE THREADED ADAPTER (EINSM6X12) FOR THE HANDRAIL SUPPORT. ONCE THIS ADAPTER IS INSERTED, REFERENCE PAGES 10-12 DEPENDING ON HANDRAIL SUPPORT CHOSEN.



14



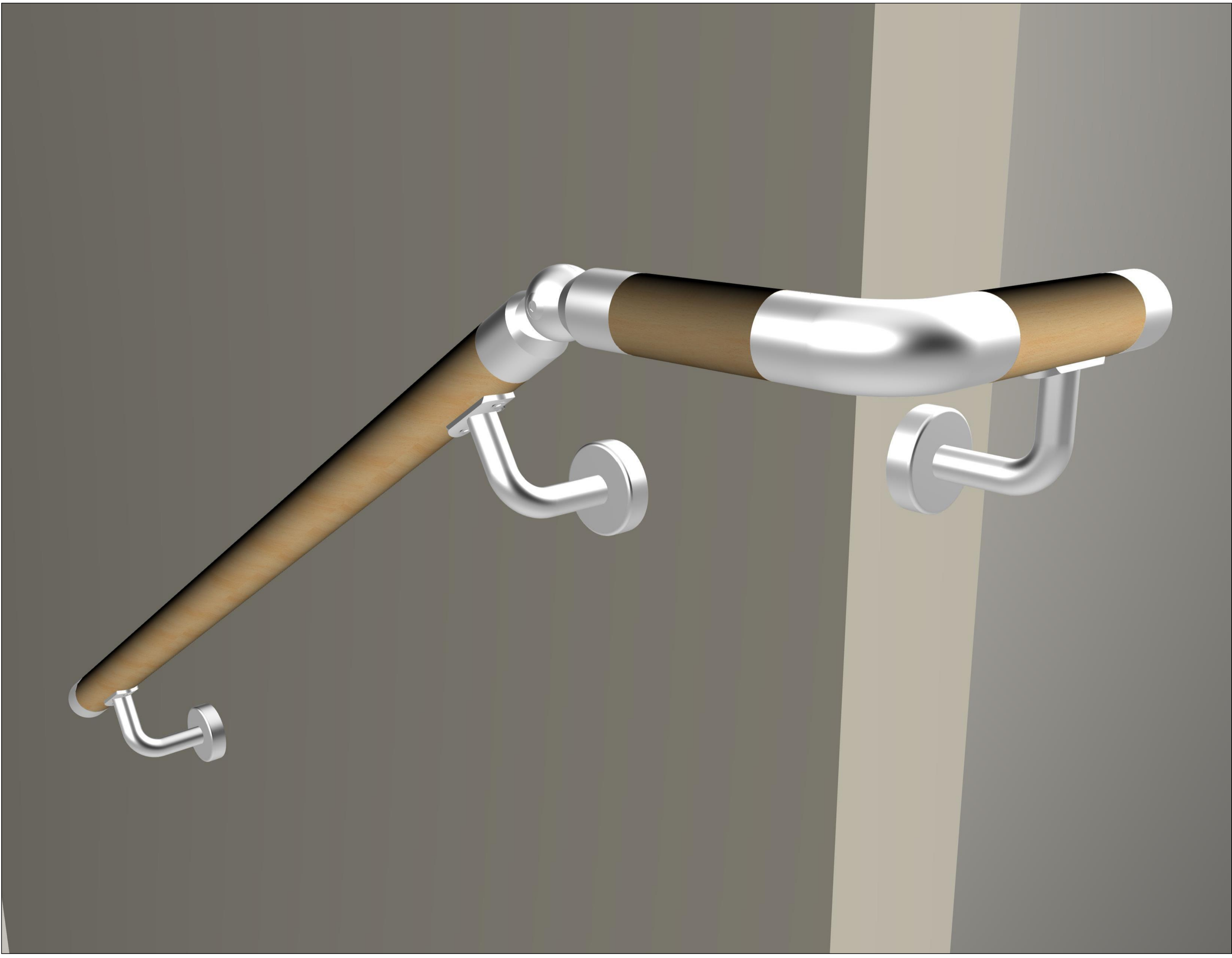
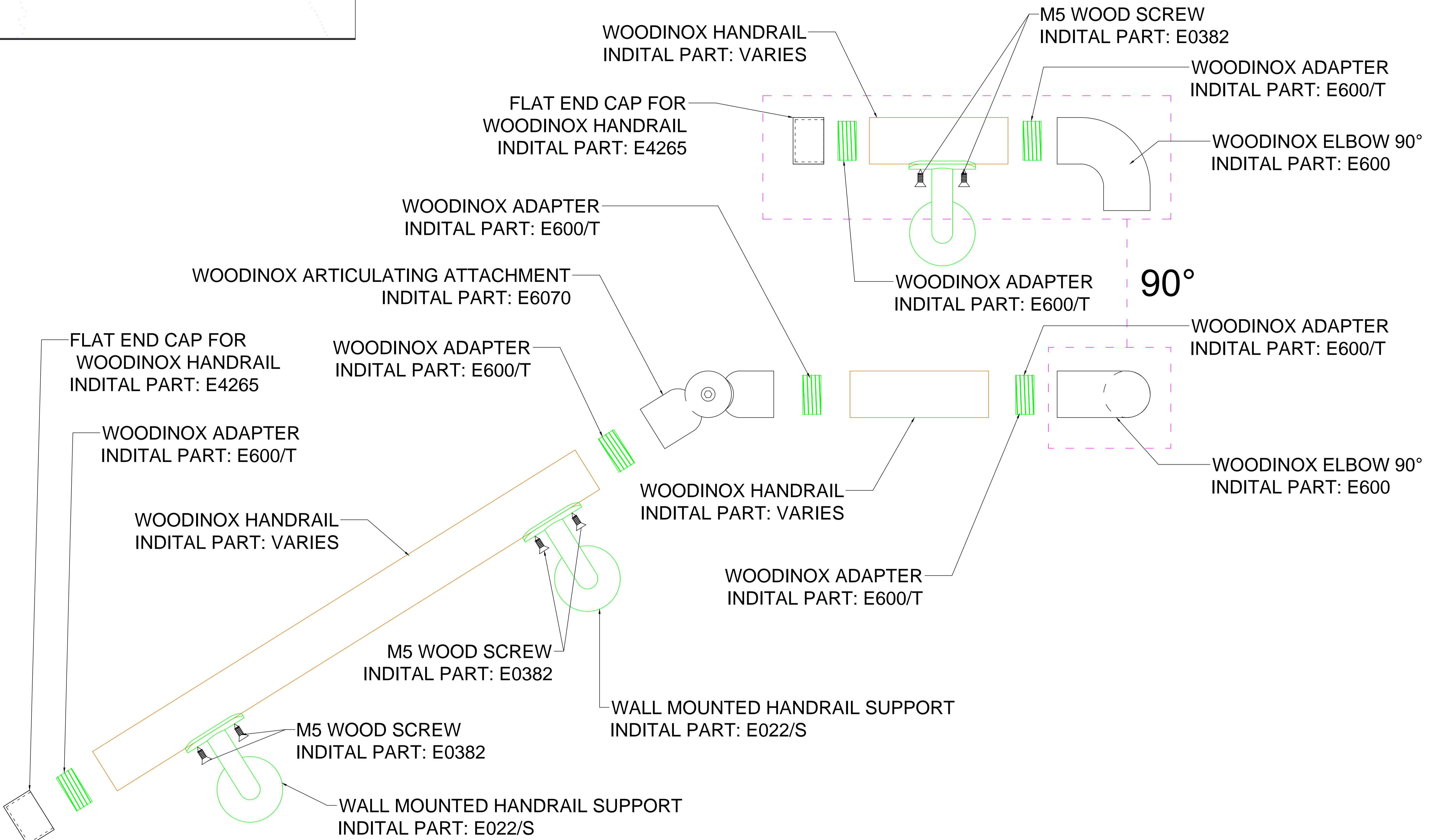
# SAMPLE APPLICATION #2





### SAMPLE APPLICATION #3

17



17