

Installation and Care Guide

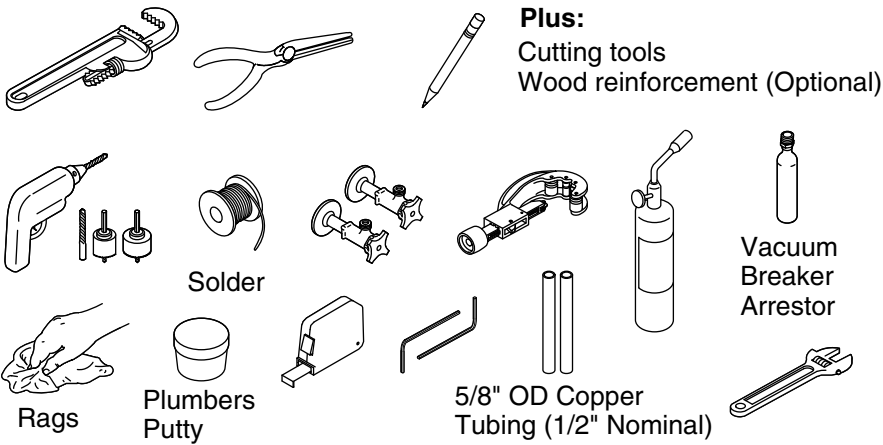
Diverter Bath Faucet with Remote Valve

M product numbers are for Mexico (i.e. K-12345**M**)
Los números de productos seguidos de
M corresponden a México (Ej.
K-12345**M**)
Français, page "Français-1"
Español, página "Español-1"

THE BOLD LOOK
OF **KOHLER**®

1330094-2-A

Tools and Materials



Before You Begin

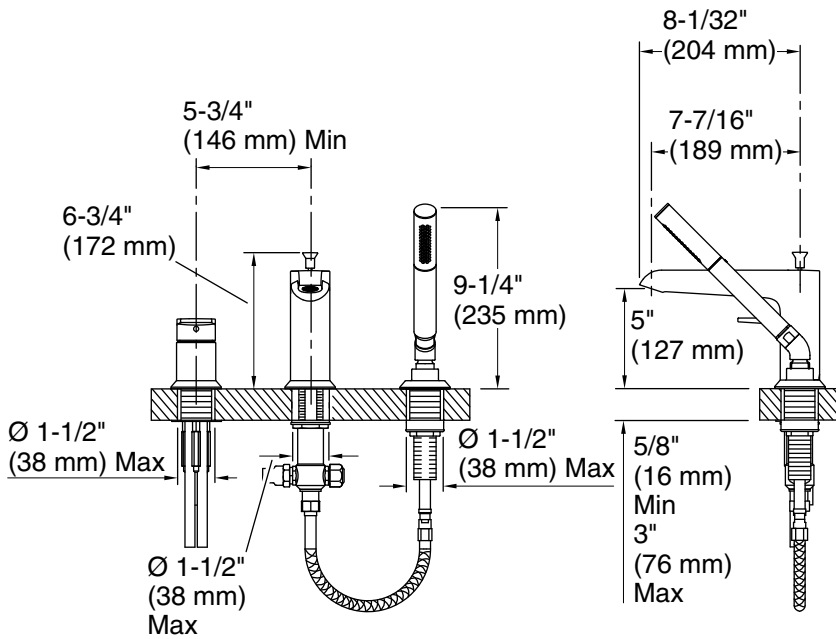


WARNING: Risk of personal injury. Do not install the bath faucet in an area where it may inadvertently be used for support by the bather.



CAUTION: Risk of property damage. Select a cutting tool appropriate for the deck/rim surface type. Refer to the surface manufacturer's instructions for the proper cutting procedures.

- Observe all local plumbing and building codes.
- Turn OFF the water supply.
- Protect the surface of the bath deck or rim during installation.
- Kohler Co. recommends installing a Sioux Chief 652-AD vacuum breaker arrestor (or equivalent) close to the outlet of the remote valve. This will reduce cavitation and water hammer when the valve or diverter is activated. Visit Sioux Chief's website at siouxchief.com for technical and installation information.



Roughing-In

1. Prepare the Site



CAUTION: Risk of property damage. Select a cutting tool appropriate for the deck/rim surface type. Refer to the surface manufacturer's instructions for proper cutting procedures.

NOTE: To simplify future servicing, install an access panel to reach the plumbing.

NOTICE: The remote valve may be installed anywhere on the deck. To allow adequate clearance for handle rotation, provide a minimum distance of 5-3/4" (146 mm) from the center of the spout to the center of the valve.

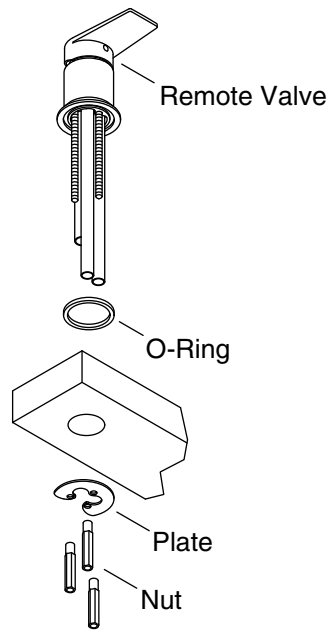
- Determine the mounting-hole locations for the spout diverter and remote valve. Refer to the roughing-in dimensions illustrated for proper placement and diameters.

Prepare the Site (cont.)

- **For a finished bath deck/rim less than 5/8" (16 mm) thick:** Install wood reinforcement to the underside of the deck/rim. The combined thickness of the reinforcing material and the deck/rim must not exceed 3" (76 mm).

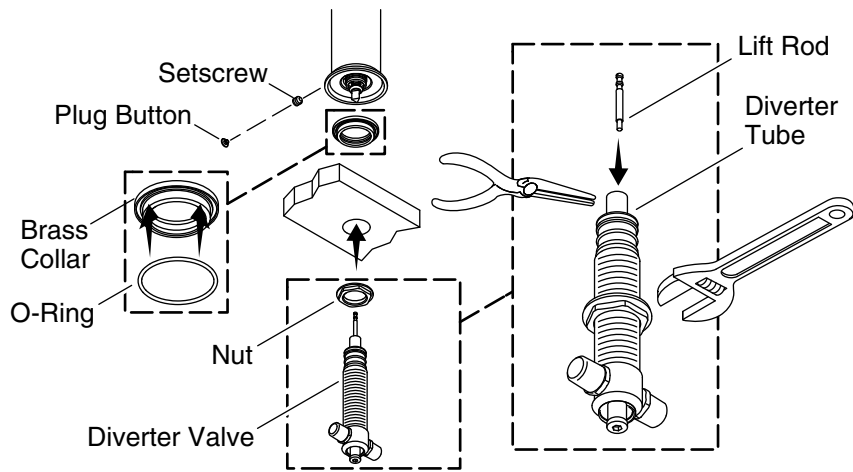
NOTICE: Do not exceed 1-1/2" (38 mm) hole diameters for the spout diverter and the remote valve mounting holes. Maximum contact area is necessary for a successful installation.

- Carefully cut mounting holes for the spout diverter and remote valve.
- Carefully cut mounting holes for the spout and valve bodies.
- Install or relocate the water supplies as needed.



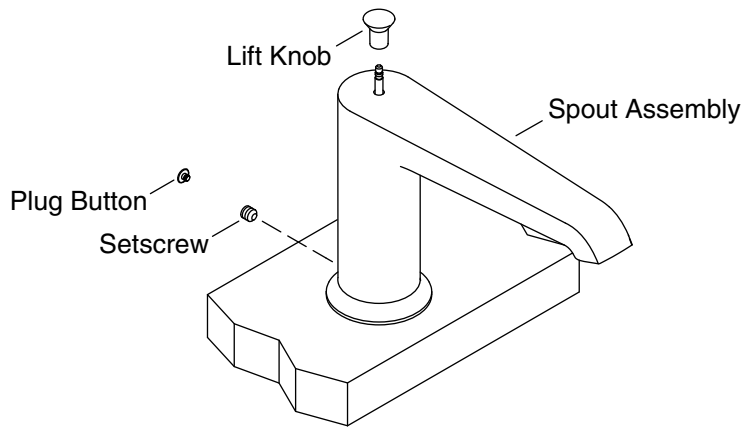
2. Install the Remote Valve

- Insert the O-ring into the groove in the underside of the bonnet.
- Insert the remote valve assembly through the mounting hole.
- Slide the plate onto the remote valve, then wrench-tighten the three nuts to secure the remote valve.



3. Install the Spout

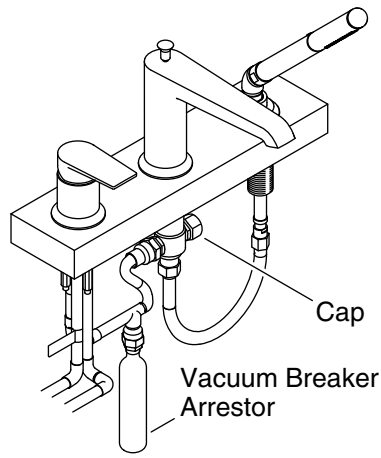
- Thread the nut all the way down the diverter valve.
- Insert the diverter valve into the mounting hole from underneath.
- Thread the brass collar with the O-ring down the diverter valve until it stops.
- Wrench tighten the nut to secure the diverter valve.
- Use needlenose pliers to lift and hold the diverter tube. Then thread the lift rod into the diverter tube.
- Ensure that the setscrew does not protrude beyond the inside wall of the spout. Back the setscrew out if needed.



4. Install the Lift Knob

IMPORTANT! Do not bend the lift rod during spout installation.

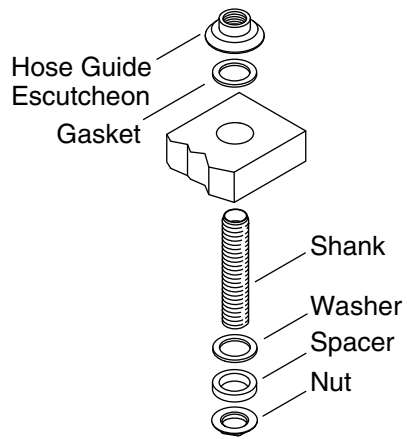
- Position the spout over the lift rod, and slide it down onto the diverter valve.
- Tighten the setscrew.
- Insert the plug button into the setscrew hole.
- Use needle-nose pliers to lift and hold the stem up for knob installation.
- Install the lift knob onto the lift rod. Tighten the two setscrews.



5. Connect the Plumbing

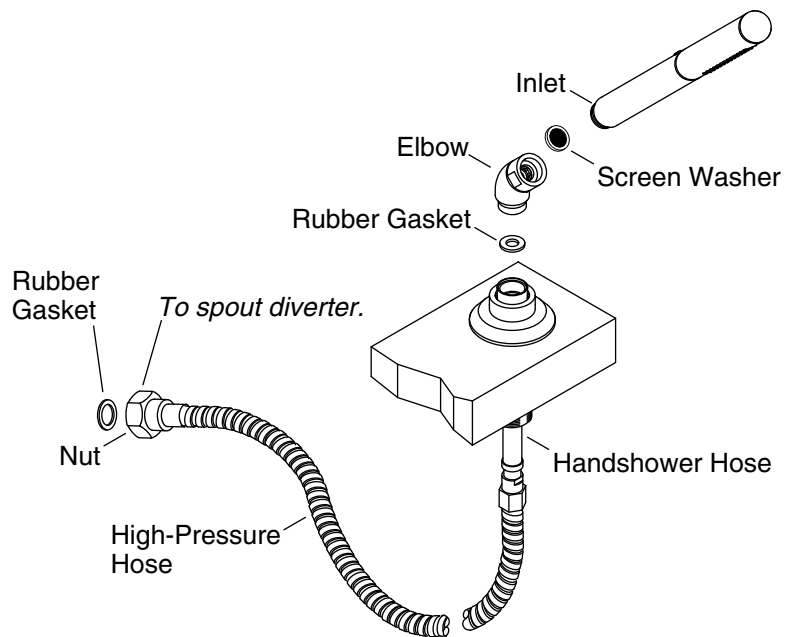
NOTE: The illustration shown is a suggested plumbing connection method. Actual plumbing connections will vary by site.

- ❑ Verify that the spout, diverter valve, and remote valve are properly positioned and secured.
- ❑ Cut and assemble the copper tubing and connections to fit the installation layout.
- ❑ Install a vacuum breaker arrester near the diverter valve inlet. Follow the vacuum breaker arrester manufacturer's instructions.
- ❑ Solder the connections.
- ❑ Use thread sealant tape, and securely wrench tighten a cap to the open inlet port of the diverter valve.



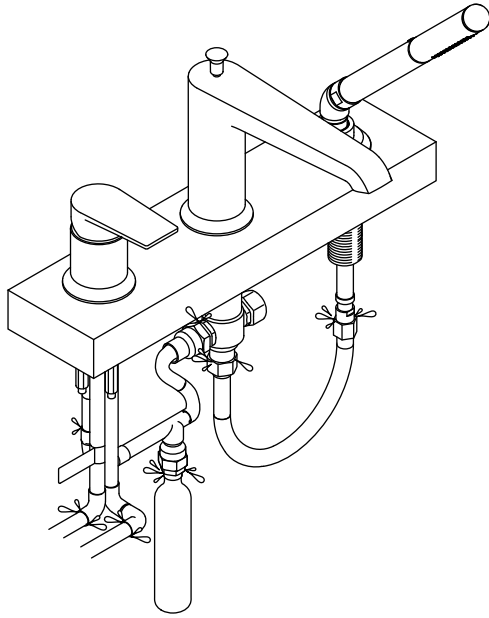
6. Install the Hose Guide

- Thread the hose guide escutcheon onto the shank.
- Insert the hose guide assembly and gasket into the mounting hole.
- Slide the washer and spacer up the shank from underneath.
- Thread the nut up the hose guide, and securely wrench tighten.



7. Install the Handshower

- Run cold and hot water through the shower outlet to flush out dirt and debris.
- Insert the screen washer into the outlet end of the elbow, and thread the elbow onto the handshower. Adjust the position of the elbow as needed so the installed handshower will lean over the bath rim.
- Fit a rubber gasket into the tapered end of the handshower hose, and securely handtighten the handshower hose to the elbow.
- Fit a rubber gasket into the handshower hose, and securely handtighten the handshower hose to the high-pressure hose.
- Feed the hoses into the hose guide.
- Fit a rubber gasket into the end of the high-pressure hose, and securely wrench-tighten the high-pressure hose to the spout diverter.



8. Complete the Installation

- Turn on the water supplies.
- Check for leaks at all connections. Repair as needed.
- Turn the remote valve handle to the ON position.
- Check for leaks at all connections. Repair as needed.
- Activate the handshower. Check for leaks at the connections. Tighten the connections as needed.
- Turn off the water, and check that the lift knob drops back to its original position.
- Turn on the water, and verify that water is only flowing from the spout.

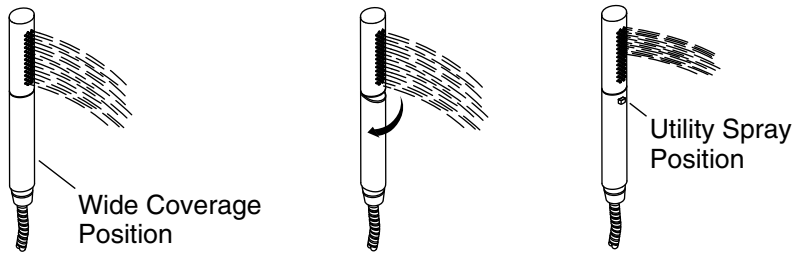
Care and Cleaning

For best results, keep the following in mind when caring for your KOHLER product:

Care and Cleaning (cont.)

- Use a mild detergent such as liquid dishwashing soap and warm water for cleaning. Do not use abrasive cleaners that may scratch or dull the surface.
- Carefully read the cleaner product label to ensure the cleaner is safe for use on the material.
- Always test your cleaning solution on an inconspicuous area before applying to the entire surface.
- Do not allow cleaners to sit or soak on the surface.
- Wipe surfaces clean and rinse completely with water immediately after cleaner application. Rinse and dry any overspray that lands on nearby surfaces.
- Use a soft, dampened sponge or cloth. Never use an abrasive material such as a brush or scouring pad to clean surfaces.

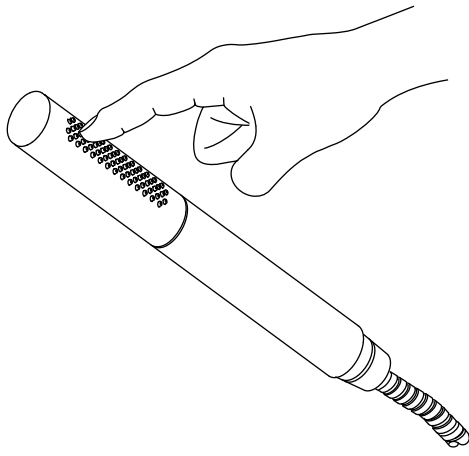
For detailed cleaning information and products to consider, visit kohler.com/clean. To order Care & Cleaning information, call 1-800-456-4537.



Using Your Handshower

Your handshower has two spray options, wide-coverage and utility spray.

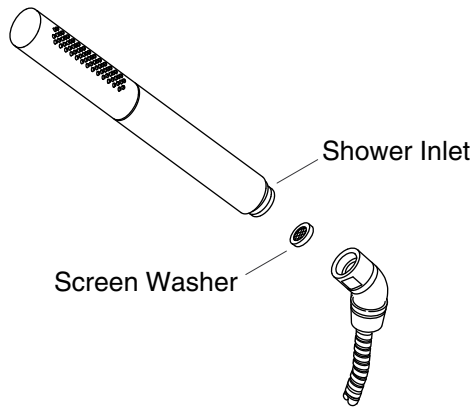
- To change the spray of your handshower from wide-coverage to utility spray, turn the handle until the sprayface aligns with the nub on the handle.



Clean the Nozzles

To dislodge debris and mineral build-up:

- Run water through the handshower.
- Firmly rub your finger back and forth across the spray nozzles on the handshower face.
- If this procedure fails to improve the performance of the handshower, proceed to the "Clean the Screen Washer" section of this guide.



Clean the Screen Washer

- Remove the handshower from the elbow.
- Using a thin, flat-blade screwdriver, carefully pry up the edge of the screen washer.
- Remove the screen washer. Do not attempt to remove the flow control.
- Clean the screen washer to dislodge debris and mineral build-up.
- Reinstall the screen washer.
- Reinstall the handshower to the elbow.

Warranty

KOHLER® Faucet Lifetime Limited Warranty

Kohler Co. warrants its Faucets* manufactured after January 1, 1997, to be leak and drip free during normal residential use for as long as the original consumer purchaser owns his or her home. If the Faucet should leak or drip during normal use, Kohler Co. will, free of charge, mail to the purchaser the cartridge necessary to put the Faucet in good working condition. This warranty applies only to Kohler Faucets installed in the United States of America, Canada or Mexico ("North America").

Kohler Co. also warrants all other aspects of the faucet or accessories ("Faucet")*, (except gold, non-Vibrant®, non-chrome finishes) to be free of defects in material and workmanship during normal residential use for as long as the original consumer purchaser owns his or her home.

Warranty (cont.)

This warranty applies only to Kohler Faucets installed in North America. If a defect is found in normal residential use, Kohler Co. will, at its election, repair, provide a replacement part or product, or make appropriate adjustment. Damage to a product caused by accident, misuse, or abuse is not covered by this warranty. Improper care and cleaning will void the warranty**. Proof of purchase (original sales receipt) must be provided to Kohler Co. with all warranty claims. Kohler Co. is not responsible for labor charges, installation, or other incidental or consequential costs. In no event shall the liability of Kohler Co. exceed the purchase price of the Faucet.

If the Faucet is used commercially or is installed outside of North America, or if the finish is gold, non-Vibrant or a painted or powder coated color finish, Kohler Co. warrants the Faucet to be free from defects in material and workmanship for one (1) year from the date the product is installed, under Kohler Co.'s standard one-year limited warranty.

If you believe that you have a warranty claim, contact Kohler Co., either through your Dealer, Plumbing Contractor, Home Center or E-tailer, or by writing Kohler Co., Attn.: Customer Care Center, 444 Highland Drive, Kohler, WI 53044, USA. Please be sure to provide all pertinent information regarding your claim, including a complete description of the problem, the product, model number, color, finish, the date the product was purchased and from whom the product was purchased. Also include your original invoice. For other information, or to obtain the name and address of the service and repair facility nearest you, call 1-800-4-KOHLER (1-800-456-4537) from within the USA and Canada, and 001-800-456-4537 from within Mexico, or visit www.kohler.com within the USA, www.ca.kohler.com from within Canada, or www.mx.kohler.com in Mexico.

KOHLER CO. AND/OR SELLER ARE PROVIDING THESE WARRANTIES IN LIEU OF ALL OTHER WARRANTIES, EXPRESSED OR IMPLIED, INCLUDING BUT NOT LIMITED TO THE IMPLIED WARRANTIES OF MERCHANTABILITY AND FITNESS FOR A PARTICULAR PURPOSE. KOHLER CO. AND/OR SELLER DISCLAIM ALL LIABILITY FOR SPECIAL, INCIDENTAL OR CONSEQUENTIAL DAMAGES. Some states/provinces do not allow limitations of how long an implied warranty lasts or the exclusion or limitation of such damages, so these limitations and exclusions may not apply to you. This warranty gives the consumer specific legal rights. You may also have other rights that vary from state/province to state/province.

This is Kohler Co.'s exclusive written warranty.

Warranty (cont.)

*Trend® faucets, MasterShower® tower, BodySpa systems and components; WaterHaven® tower, systems and components; Tripoint® faucets, Polished Gold, non-Vibrant and painted or powder coated finishes, fittings; all items within the "Fixture Related" section of the Kohler Faucets Price Book, drains, Duostrainer® sink strainers, soap/lotion dispensers, Moxie® Wireless Speaker; and faucets used in commercial settings, and outside North America, are covered by Kohler Co.'s one-year limited warranty.

**Never use cleaners containing abrasive cleansers, ammonia, bleach, acids, waxes, alcohol, solvents or other products not recommended for chrome. This will void the warranty.

Warranty

For Mexico

KOHLER CO.

It is recommended that at the time of purchase, you verify that all accessories and components are complete in this package.

This Kohler product is warranted to be free of defects in material and workmanship for one (1) year from the date of purchase as shown on the invoice or receipt.

1. Kohler Co. will only service its commercialized products through its authorized distributors.
2. To obtain warranty service, please present the invoice and corresponding warranty.
3. Through its authorized distributors, Kohler Co. promises to repair the defective product or provide a new replacement or an equivalent model (in those cases that the model has been discontinued) when the product is beyond repair, without any charge to the consumer.
4. The time of repair will not exceed six (6) weeks commencing on the date the product is received.
5. It is recommended that the consumer save the invoice or receipt as additional protection, as it may substitute the warranty in the case that there is a discrepancy in the validity of the warranty.

EXCEPTIONS AND RESTRICTIONS

The Warranty will not be valid in the following cases:

1. When the product is not operated in accordance with the instructions concerning use and operation set forth in the owner's manual or installation instructions, and when the recommendations

Warranty (cont.)

and warnings included are not observed.

2. When the product has been modified or dismantled partially or totally; or has been used in a negligent fashion and as a consequence has suffered damages attributable to the consumer, individual, or hardware not authorized by Kohler Co.

3. This warranty does not cover the damages as a result of disaster such as fire or acts of God, including flooding, earthquake, or electric storms, etc. To obtain a list of distributors in your area where you can exercise your rights under this warranty, please call 001-800-456-4537.

KOHLER CO., KOHLER, WI 53044 U.S.A.

IMPORTER:

COMERCIALIZADORA INTERCERAMIC, S.A. DE C.V.

AV. CARLOS PACHECO NO. 7200, COL. MADERA 65

CHIHUAHUA, CHIH., MEXICO C.P. 31060

R.F.C. CIN141022IE9

TEL: 52 (614) 429-11-11

IMPORTER:

GAMA MATERIALES Y ACEROS, S.A. DE C.V.

AVE LOS ANGELES NO. 1800

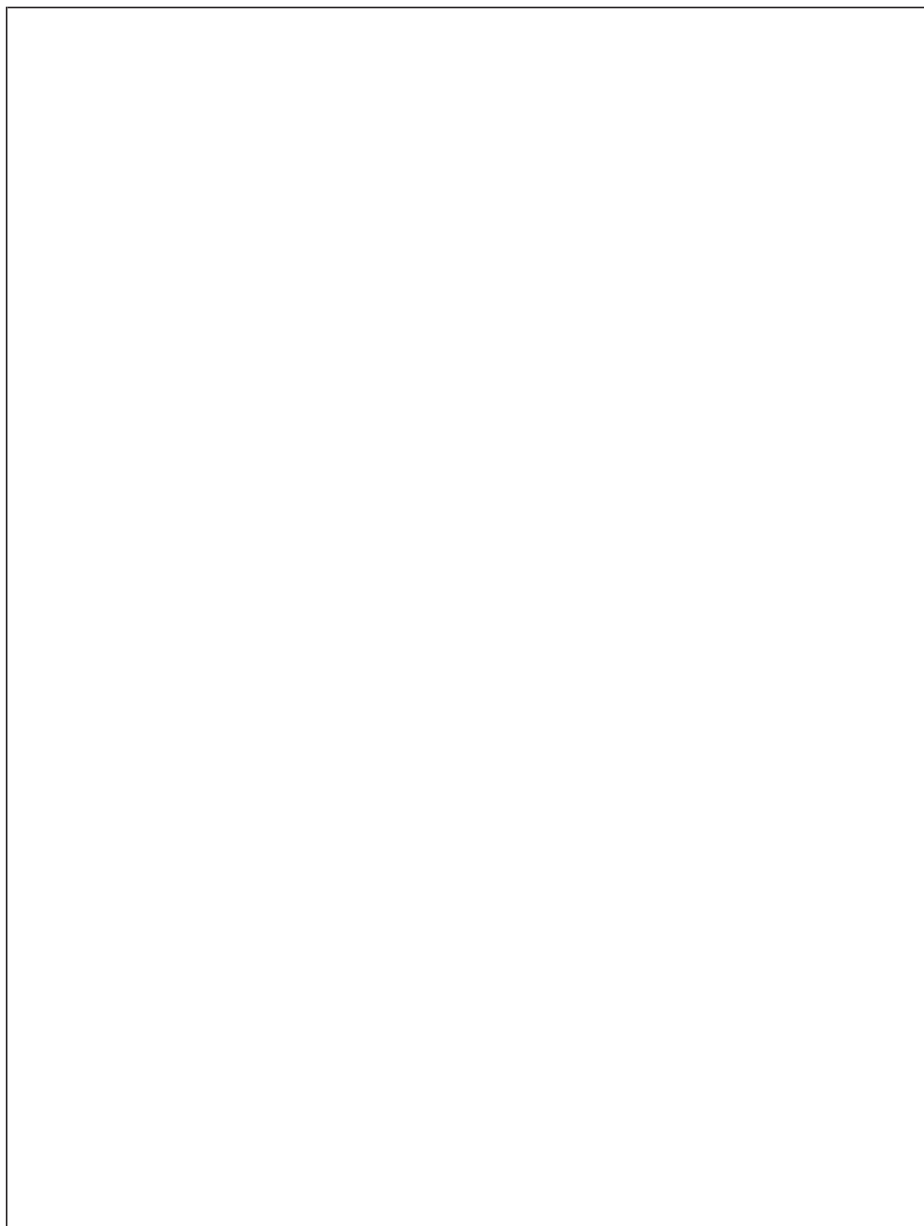
COL VALLE DEL NOGALAR, SAN NICOLAS DE LOS GARZA

N.L. MEXICO

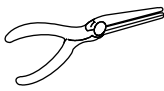
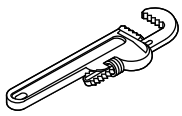
R.F.C. GMA901220U11

TEL: 81-1160-5500

Guide d'installation et d'entretien
Robinet de baignoire à inverseur avec vanne
à distance

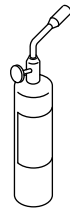
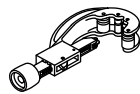


Outils et matériel



Plus:

Outils de découpes
Renfort en bois (optionnel)



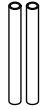
Brasure



Chiffons



Mastic de plombier



Tubulure cuivre de dia.
ext. 5/8" (1/2" nominal)



Dispositif
d'arrêt
casse-vide

Avant de commencer

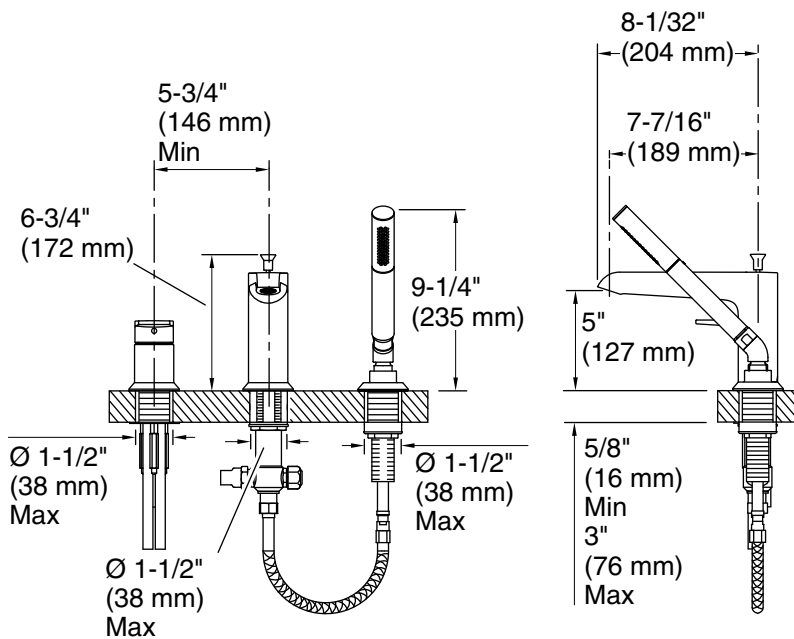


WARNING: Risque de blessures. Ne pas installer le robinet de la baignoire dans un endroit où la personne dans le bain peut s'y appuyer par inadvertance.



CAUTION: Risque de dommages matériels. Choisir un outil de coupe adapté à la surface du plateau/rebord à découper. Se reporter aux instructions du fabricant de la surface pour les procédures de découpage appropriées.

- Respecter tous les codes de plomberie et de bâtiment locaux.
- Couper l'alimentation en eau.
- Protéger la surface du plateau ou du rebord de la baignoire pendant l'installation.
- Kohler Co. recommande d'installer un dispositif d'arrêt casse-vide Sioux Chief 652-AD (ou un dispositif équivalent) à proximité de la sortie de la vanne à distance. Ceci réduira les cavitations et les coups de bélier lors de l'activation de la vanne ou de l'inverseur. Consulter le site Web de Sioux Chief à siouxchief.com pour obtenir des renseignements techniques et des instructions d'installation.



Raccordement

1. Préparer le site



CAUTION: Risque de dommages matériels. Choisir un outil de coupe adapté à la surface du plateau/rebord à découper. Se reporter aux instructions du fabricant de la surface pour les procédures de découpage adéquates.

NOTE: Pour simplifier les interventions ultérieures, prévoir un panneau d'accès à la plomberie.

NOTICE: La vanne à distance peut être installée n'importe où sur le plateau. Pour permettre un dégagement adéquat pour la rotation de la poignée, fournir une distance minimum de 5-3/4" (146 mm) entre le centre du bec et le centre de la vanne.

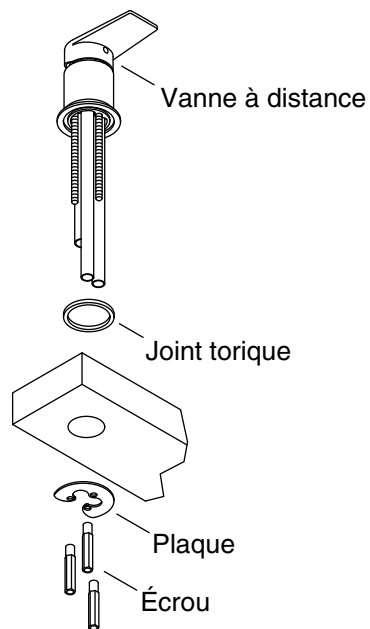
- Déterminer les emplacements des trous de montage pour l'inverseur du bec et la vanne à distance. Se reporter aux dimensions de raccordement illustrées pour le positionnement et les diamètres adéquats.

Préparer le site (cont.)

- **Plateau/rebord de baignoire fini de moins de 5/8" (16 mm) d'épaisseur:** Installer un renfort en bois sur le dessous du plateau/rebord. L'épaisseur combinée du matériau de renfort et du plateau/rebord ne doit pas dépasser 3" (76 mm).

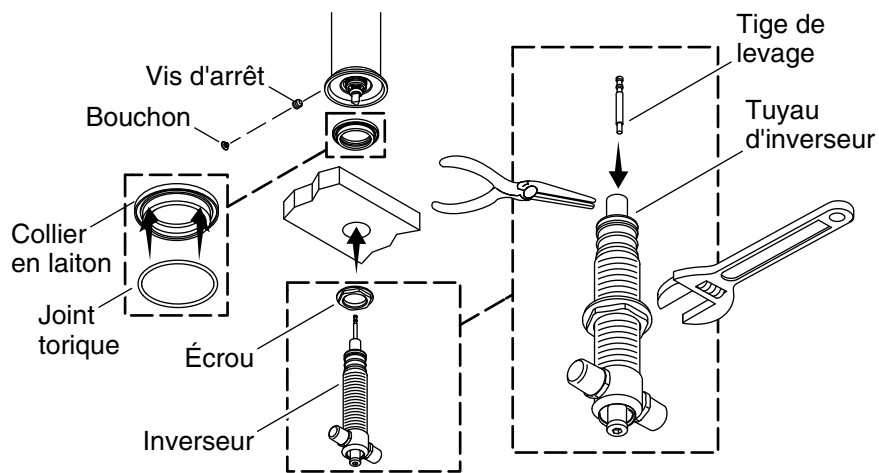
NOTICE: Ne pas dépasser des diamètres de trous de 1-1/2" (38 mm) pour les trous de montage de l'inverseur du bec et de la vanne à distance. La surface de contact doit être maximale pour assurer une installation réussie.

- Découper avec soin les trous de montage pour l'inverseur du bec et la vanne à distance.
- Découper avec précaution les trous de fixation pour le bec et les corps de vannes.
- Installer ou déplacer les alimentations en eau selon les besoins.



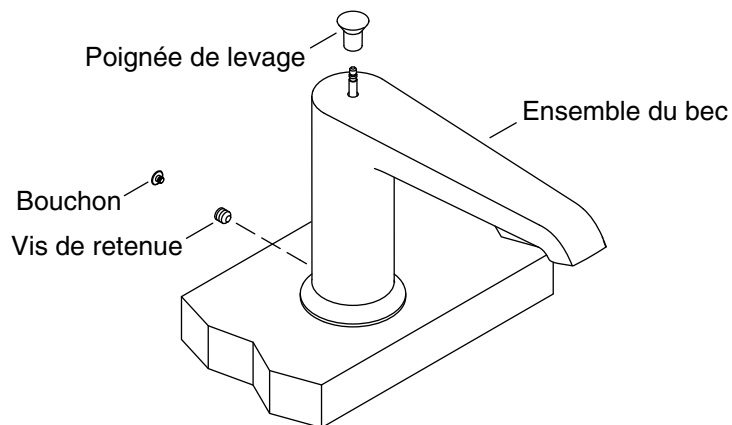
2. Installer le robinet à distance

- Insérer le joint torique dans la gorge dans le dessous du chapeau.
- Enfiler l'ensemble de la vanne à distance dans le trou de montage.
- Faire glisser la plaque sur la vanne à distance, puis serrer les trois écrous à la clé pour fixer la vanne à distance en place.



3. Installer le bec

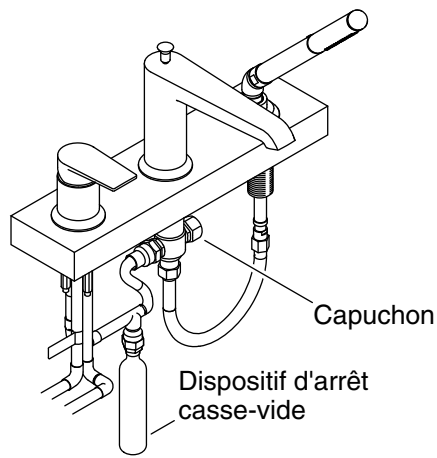
- Enfiler l'écrou entièrement dans le fond de l'inverseur.
- Insérer l'inverseur dans le trou de montage à partir du dessous.
- Enfiler le collier en laiton avec le joint torique dans le bas de la vanne de l'inverseur, jusqu'à ce qu'il s'arrête.
- Serrer l'écrou avec une clé pour fixer l'inverseur en place.
- Utiliser une pince à becs effilés pour lever et tenir le tube de l'inverseur. Enfiler ensuite la tige de levage dans le tube de l'inverseur.
- S'assurer que la vis d'arrêt ne dépasse pas au-delà de la paroi interne du bec. Faire ressortir la vis d'arrêt si nécessaire.



4. Installer le bouton de levage

IMPORTANT! Ne pas plier la tige de levage pendant l'installation du bec.

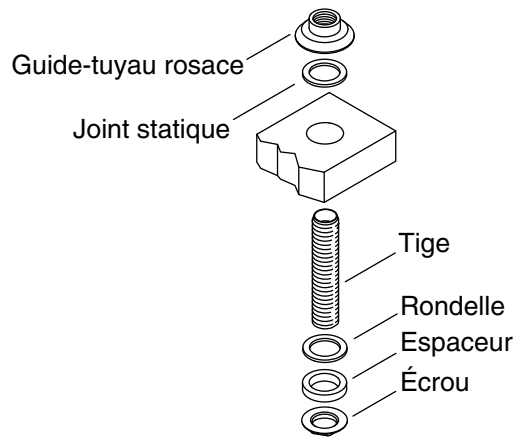
- Positionner le bec par-dessus la tige de levage et le faire glisser vers le bas sur l'inverseur.
- Serrer la vis d'arrêt.
- Insérer le bouchon dans le trou de la vis d'arrêt.
- Utiliser une pince à becs effilés pour lever et tenir la tige verticalement pour l'installation du bouton.
- Installer le bouton de levage sur la tige de levage. Serrer les deux vis d'arrêt.



5. Raccorder la plomberie

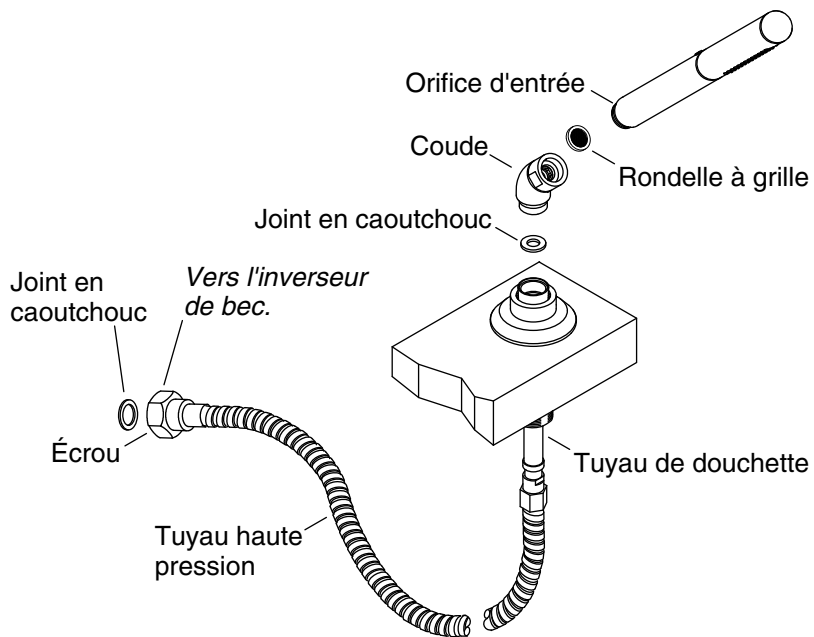
NOTE: L'illustration fournie est une méthode de connexion de plomberie suggérée. Les connexions de plomberie réelles varient d'un site à l'autre.

- Vérifier que le bec, l'inverseur et la vanne à distance sont positionnés et sécurisés de manière appropriée.
- Couper et assembler la tubulure et les connexions en cuivre pour les adapter à la disposition d'installation.
- Installer un dispositif d'arrêt casse-vide à proximité de l'entrée de l'inverseur. Suivre les instructions du fabricant du dispositif d'arrêt du robinet casse vide.
- Braser les raccords.
- Avec du ruban d'étanchéité pour filets, bien serrer à la clé un capuchon sur le port d'entrée ouvert de l'inverseur.



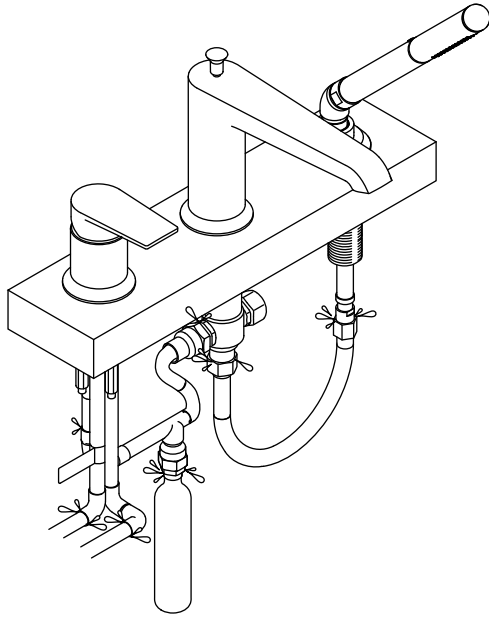
6. Installer le guide-tuyau

- Enfiler l'applique du guide-tuyau sur la tige.
- Insérer l'ensemble du guide-tuyau et le joint dans le trou de montage.
- Faire glisser la rondelle et l'espaceur vers le haut de la tige à partir du dessous.
- Enfiler l'écrou vers le haut du guide-tuyau et bien serrer à la clé.



7. Installer la douche

- Faire couler de l'eau froide et de l'eau chaude dans l'orifice de sortie de la douche pour évacuer les saletés et les débris.
- Insérer la rondelle à grille dans l'extrémité de sortie du coude et enfiler le coude sur la douche. Ajuster la position du coude selon les besoins de manière à ce que la douche installée se penche par-dessus le rebord de la baignoire.
- Adapter un joint en caoutchouc dans l'extrémité effilée du tuyau de la douche et bien serrer à la main le tuyau de la douche sur le coude.
- Adapter un joint en caoutchouc dans le tuyau de la douche et bien serrer à la main le tuyau de la douche sur le tuyau haute pression.
- Alimenter les tuyaux dans le guide-tuyau.
- Adapter un joint en caoutchouc dans l'extrémité du tuyau haute pression et bien serrer à la clé le tuyau haute pression sur l'inverseur du bec.



8. Terminer l'installation

- Ouvrir les alimentations en eau.
- Rechercher s'il y a des fuites au niveau de toutes les connexions. Effectuer les réparations nécessaires.
- Tourner la vanne à distance en position ouverte.
- Rechercher s'il y a des fuites au niveau de toutes les connexions. Effectuer les réparations nécessaires.
- Activer la douchette. Rechercher s'il y a des fuites au niveau des connexions. Serrer les connexions selon les besoins.
- Fermer l'arrivée d'eau et vérifier que le bouton de levage retourne à sa position originale.
- Ouvrir l'arrivée d'eau et vérifier que l'eau s'écoule seulement du bec.

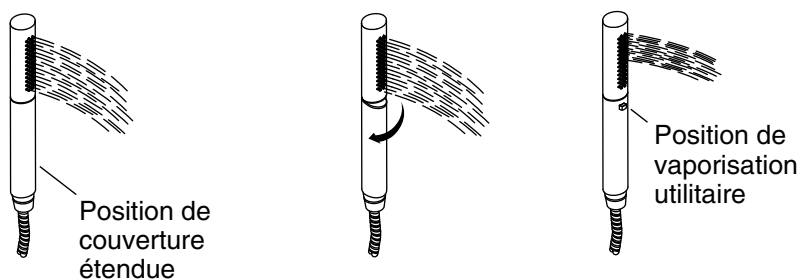
Entretien et nettoyage

Pour obtenir les meilleurs résultats possibles, prendre ce qui suit en considération lors de l'entretien de votre produit KOHLER:

Entretien et nettoyage (cont.)

- Utiliser un détergent doux comme du liquide pour vaisselle et de l'eau chaude pour nettoyer. Ne pas utiliser de nettoyeurs abrasifs qui pourraient rayer ou ternir la surface.
- Lire l'étiquette du produit de nettoyage avec le plus grand soin pour assurer que celui-ci peut être utilisé sans danger sur le matériau.
- Toujours tester la solution de nettoyage sur une surface non visible avant de l'appliquer sur l'ensemble de la surface.
- Ne pas laisser les nettoyeurs reposer ou tremper sur la surface.
- Essuyer les surfaces et rincer complètement avec de l'eau immédiatement après l'application du nettoyeur. Rincer et sécher tout éclaboussement sur les surfaces avoisinantes.
- Utiliser une éponge ou un chiffon doux et humide. Ne jamais utiliser de matériau abrasif tel qu'une brosse ou une éponge à récurer pour nettoyer les surfaces.

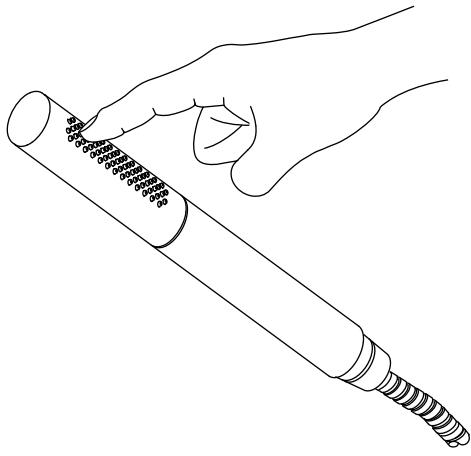
Pour obtenir des renseignements détaillés sur le nettoyage et les produits à considérer, consulter le site kohler.com/clean. Pour commander des renseignements sur le nettoyage, appeler le 1-800-456-4537.



Utiliser la douchette

La douchette a deux options de vaporisation, large couverture et vaporisateur utilitaire.

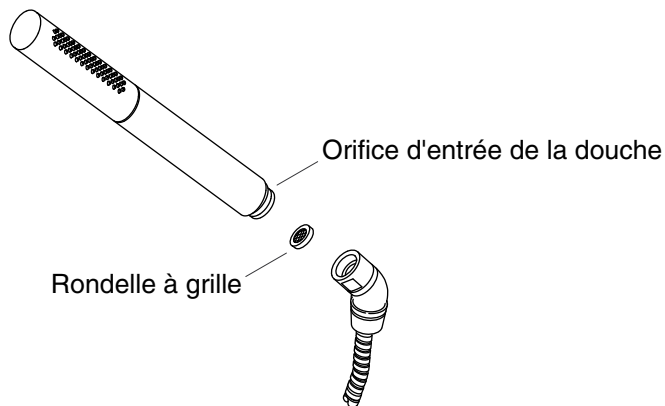
- Pour changer le vaporisateur de la douchette de la couverture large au vaporisateur utilitaire, tourner la poignée jusqu'à ce que la face du vaporisateur s'aligne avec la bosse sur la poignée.



Nettoyer les buses

Pour déloger les débris et les particules minérales:

- Faire couler de l'eau dans la douche.
- Frotter vigoureusement votre doigt dans un mouvement de va-et-vient sur les buses de vaporisation se trouvant sur la face de la douche.
- Si cette procédure n'améliore pas la performance de la douche, passer à la section "Nettoyer la rondelle à grille" du présent guide.



Nettoyer la rondelle à grille

- Retirer la douchette du coude.
- Utiliser un tournevis fin à lame plate pour écarter délicatement le rebord de la rondelle à grille.
- Installer la rondelle à grille. Ne pas essayer de retirer le contrôle du débit.
- Nettoyer la rondelle à grille pour déloger les dépôts de débris et minéraux.
- Ré-installer la rondelle à grille.
- Réinstaller la douchette sur le coude.

Garantie

Garantie limitée à vie du robinet KOHLER®

Kohler Co. garantit que les robinets* fabriqués après le 1er janvier 1997 ne fuient pas et ne gouttent pas lors d'une utilisation domestique normale, aussi longtemps que l'acquéreur d'origine demeure propriétaire de son domicile. Si le robinet goutte ou présente des fuites lors d'une utilisation normale, Kohler Co. enverra par courrier à l'acheteur, sans frais, la cartouche nécessaire pour réparer le robinet. La présente garantie s'applique uniquement aux robinets Kohler installés aux États-Unis d'Amérique, au Canada ou au Mexique ("Amérique du Nord").

Kohler Co. garantit également toutes les autres caractéristiques du robinet ou des accessoires ("Robinet")*, (à l'exception des finitions

Garantie (cont.)

dorées, non-Vibrant®, non chromées) contre tout vice de matériau et de fabrication lors d'une utilisation domestique normale, aussi longtemps que l'acquéreur d'origine demeure propriétaire de son domicile. La présente garantie s'applique uniquement aux robinets Kohler installés en Amérique du Nord. Si un vice est décelé lors d'une utilisation domestique normale, Kohler Co. choisira, à sa discrétion, la réparation, le remplacement ou la rectification appropriée. Cette garantie n'offre pas de protection contre les dommages dus à un accident, une mauvaise utilisation ou un mauvais traitement. Un entretien et un nettoyage inadéquats annulent la garantie**. Une preuve d'achat (ticket de caisse d'origine) doit être présentée à Kohler Co. avec toutes les réclamations au titre de la garantie. Kohler n'est pas responsable des frais de main-d'œuvre, d'installation ou de tous autres frais particuliers, accessoires ou indirects. La responsabilité de Kohler Co. ne dépassera en aucun cas le prix d'achat du robinet.

Si le robinet est utilisé dans un commerce ou s'il est installé en dehors d'Amérique du Nord, ou si la finition est dorée, non-Vibrant, peinte ou revêtue d'une poudre, Kohler Co. garantit le robinet contre tout vice de matériau et de fabrication pendant un (1) an à partir de la date d'installation du produit, selon les modalités de la garantie limitée standard d'un an de Kohler Co.

Pour toute réclamation au titre de la présente garantie, contacter Kohler Co. par l'intermédiaire du vendeur, plombier, centre de rénovation ou revendeur par internet, ou bien par écrit à l'adresse suivante Kohler Co., Attn.: Customer Care Center, 444 Highland Drive, Kohler, WI 53044, USA. Fournir tous les renseignements pertinents à la réclamation, dont notamment une description complète du problème et du produit, le numéro de modèle, la couleur, la finition, la date et le lieu d'achat du produit. Joindre également l'original de la facture. Pour de plus amples renseignements, ou pour obtenir le nom et l'adresse de l'établissement d'entretien et de réparation le plus proche, appeler le 1-800-4-KOHLER (1-800-456-4537) à partir des É.-U. et du Canada, et le 001-800-456-4537 à partir du Mexique, ou consulter le site www.kohler.com à partir des É.-U., www.ca.kohler.com à partir du Canada, ou www.mx.kohler.com au Mexique.

KOHLER CO. ET/OU LE REVENDEUR FOURNISSENT CES GARANTIES AU LIEU ET PLACE DE TOUTES AUTRES GARANTIES, EXPRESSES OU TACITES, Y COMPRIS LES GARANTIES TACITES DE COMMERCIALITÉ ET D'ADAPTATION À UN USAGE PARTICULIER. KOHLER CO. ET/OU LE REVENDEUR DÉCLINENT TOUTE RESPONSABILITÉ CONTRE LES DOMMAGES PARTICULIERS, ACCESSOIRES OU INDIRECTS. Certains états et provinces ne permettent pas de limite

Garantie (cont.)

sur la durée de la garantie tacite, ni l'exclusion ou la limite de tels dommages, et, par conséquent, lesdites limites et exclusions peuvent ne pas s'appliquer à votre cas. La présente garantie accorde au consommateur des droits juridiques particuliers. Vous pouvez également avoir d'autres droits qui varient d'un état ou d'une province à l'autre.

Ceci constitue la garantie écrite exclusive de Kohler Co.

*Les robinets Trend®, la colonne MasterShower®, les systèmes et éléments BodySpa; la colonne, les systèmes et les éléments WaterHaven®; les robinets Tripoint®, les finitions or poli, non-Vibrant et peintes ou à revêtement de poudre, les raccords, tous les articles de la section "Fixture Related" du catalogue des prix des robinets Kohler, les drains, les crépines d'évier Duostrainer®, les distributeurs de savon/lotion, le haut-parleur sans fil Moxie® et les robinets utilisés dans des installations commerciales et en dehors de l'Amérique du Nord sont couverts par la garantie limitée d'un an de Kohler Co.

**Ne jamais utiliser de nettoyants contenant des agents abrasifs, de l'ammoniaque, de l'eau de Javel, des acides, des cires, de l'alcool, des dissolvants ou autres produits non recommandés pour le chrome. Ceci annulera la garantie.

Garantie

Pour le Mexique

KOHLER CO.

Il est recommandé de s'assurer qu'il ne manque aucun accessoire ou composant dans l'emballage au moment de l'achat.

Ce produit Kohler est garanti contre tout défaut de matériel et de fabrication pour une période d'un (1) an à partir de la date d'achat tel qu'indiqué sur la facture ou le reçu de caisse.

1. Kohler Co. effectuera seulement un entretien de ses produits commercialisés à travers son réseau de distributeurs agréés.
2. Pour obtenir un service-garantie, présenter la facture et le certificat de garantie du produit correspondant.
3. Kohler Co. s'engage, par l'intermédiaire de ses distributeurs autorisés, à réparer ou à remplacer tout produit défectueux par un modèle équivalent (dans les cas où les modèles ne sont plus fabriqués) lorsque le produit ne peut pas être réparé, sans frais pour le consommateur.
4. Le temps de réparation n'excédera pas six (6) semaines à compter de

Garantie (cont.)

la date de réception du produit.

5. Il est recommandé que le consommateur conserve la facture ou le ticket de caisse comme mesure de protection supplémentaire, car ceux-ci pourraient remplacer la garantie dans le cas d'erreur de validité de la garantie.

EXCEPTIONS ET RESTRICTIONS

La garantie perdra sa validité dans les cas suivants:

1. Lorsque le produit n'est pas utilisé conformément aux instructions d'utilisation et de fonctionnement indiquées dans le guide du propriétaire ou dans les instructions d'installation, et quand les recommandations et mises en garde ne sont pas respectées.
2. Quand le produit a été partiellement ou totalement modifié ou démonté, ou s'il a été utilisé d'une façon négligée ayant pour conséquence un endommagement causé par le consommateur, une personne ou un matériel non autorisé par Kohler Co.
3. Cette garantie ne couvre pas les dommages issus de catastrophes telles que les incendies ou les catastrophes naturelles, y compris les inondations, les tremblements de terre, les orages électriques, etc. Pour obtenir une liste des distributeurs dans votre région auprès desquels il est possible d'exercer ses droits dans le cadre de la présente garantie, composer le 001-800-456-4537.

KOHLER CO., KOHLER, WI 53044 U.S.A.

IMPORTATEUR:

COMERCIALIZADORA INTERCERAMIC, S.A. DE C.V.

AV. CARLOS PACHECO NO. 7200, COL. MADERA 65

CHIHUAHUA, CHIH., MEXICO C.P. 31060

R.F.C. CIN141022IE9

TÉL.: 52 (614) 429-11-11

IMPORTATEUR:

GAMA MATERIALES Y ACEROS, S.A. DE C.V.

AVE LOS ANGELES NO. 1800

COL VALLE DEL NOGALAR, SAN NICOLAS DE LOS GARZA

N.L. MEXIQUE

Garantie (cont.)

R.F.C. GMA901220U11

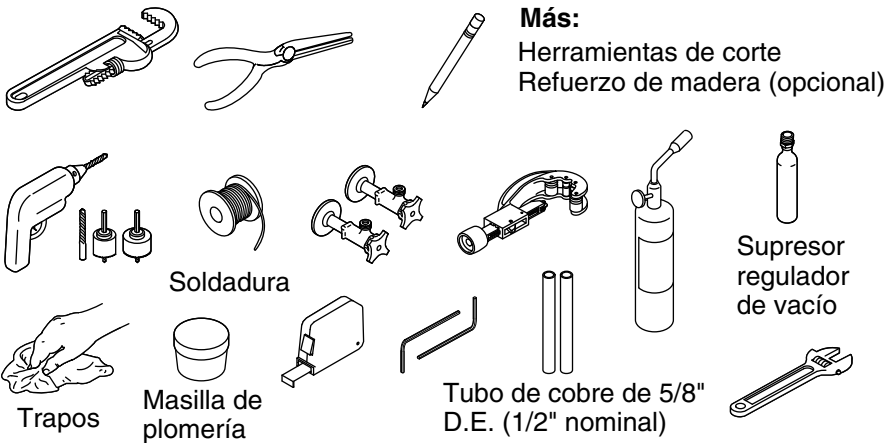
TÉL.: 81-1160-5500

Guía de instalación y cuidado

Grifería para bañera con desviador con
válvula remota



Herramientas y materiales



Antes de comenzar



WARNING: Riesgo de lesiones personales. No instale la grifería de bañera en un área donde la persona que se baña pudiera utilizarla accidentalmente como soporte.



CAUTION: Riesgo de daños a la propiedad. Seleccione una herramienta de corte adecuada para el tipo de superficie de cubierta o reborde. Consulte las instrucciones del fabricante de la superficie para obtener los procedimientos correctos de corte.

- Cumpla todos los códigos locales de plomería y de construcción.
- Cierre el suministro de agua.
- Proteja la superficie de la cubierta o el reborde de la bañera durante la instalación.
- Kohler Co. recomienda que se instale un supresor regulador de vacío Sioux Chief 652-AD (o equivalente) cerca de la salida de la válvula remota. Esto reduce la cavitación y el golpe de ariete cuando se activa la válvula o el desviador. Visite el sitio en Internet de Sioux Chief en siouxchief.com para consultar información técnica y de instalación.

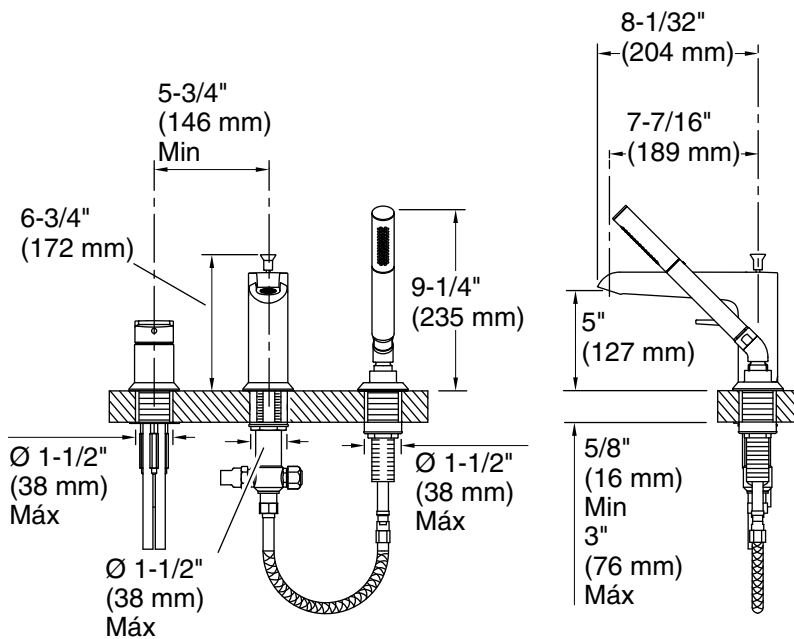


Diagrama de instalación

1. Prepare el sitio



CAUTION: Riesgo de daños a la propiedad. Seleccione una herramienta de corte adecuada para el tipo de superficie de cubierta o reborde. Consulte las instrucciones del fabricante de la superficie para obtener los procedimientos correctos de corte.

NOTE: Para simplificar las tareas futuras de servicio, instale un panel de acceso para alcanzar la tubería.

NOTICE: La válvula remota se puede instalar en cualquier lugar de la cubierta. Para dejar suficiente espacio libre para que giren las manijas, deje una distancia mínima de 5-3/4" (146 mm) del centro del surtidor al centro de la válvula.

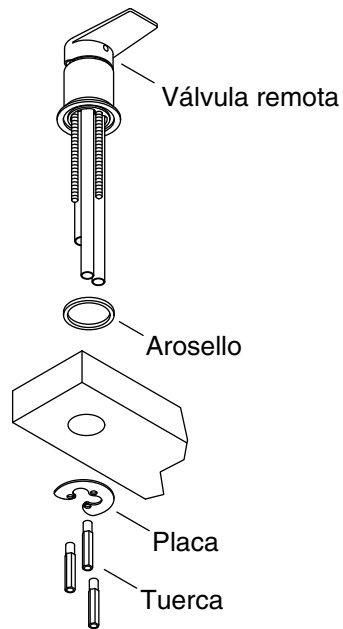
- Determine los lugares de los orificios de montaje para el desviador del surtidor y la válvula remota. Consulte el lugar de correcto y los diámetros en las dimensiones de instalación inicial que se ilustran.

Prepare el sitio (cont.)

- **En una cubierta acabada/reborde de bañera con grosor menor de 5/8" (16 mm):** Instale un refuerzo de madera a la cara inferior de la cubierta o del reborde. El grosor total del material de refuerzo y de la cubierta o el reborde no debe exceder 3" (76 mm).

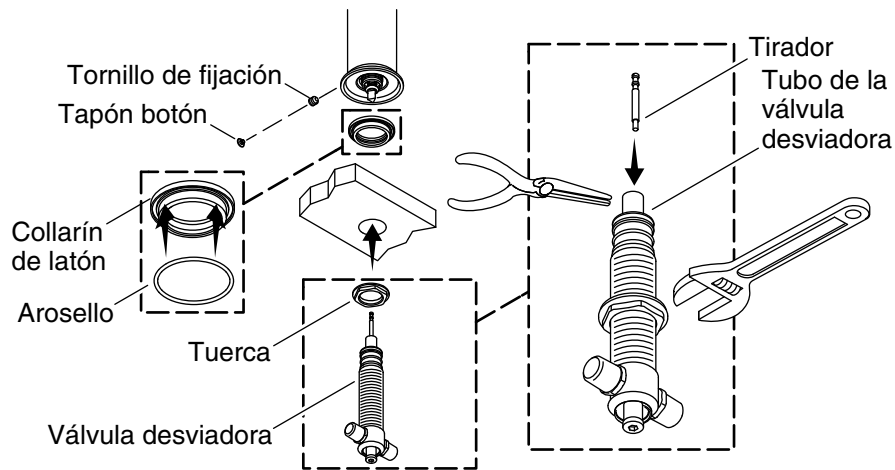
NOTICE: No exceda diámetros de 1-1/2" (38 mm) para los orificios de montaje del desviador del surtidor y de la válvula remota. Es necesario tener el área máxima de contacto para que la instalación sea exitosa.

- Con cuidado corte los orificios de montaje para el desviador del surtidor y para la válvula remota.
- Con cuidado abra orificios de montaje para el surtidor y para los cuerpos de las válvulas.
- Instale o cambie la ubicación de los suministros de agua según sea necesario.



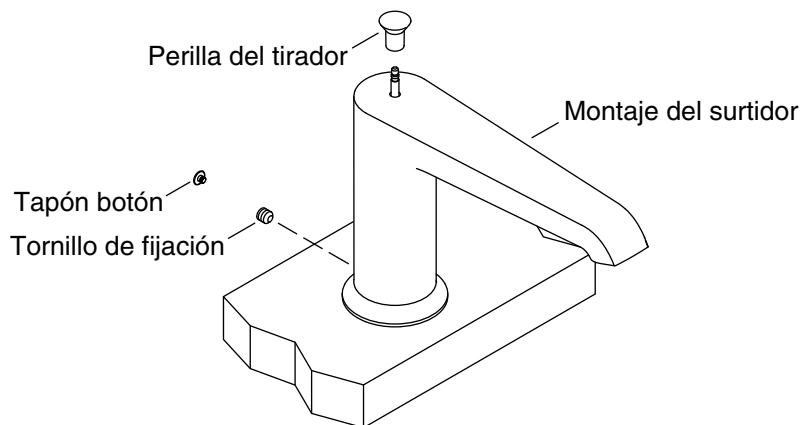
2. Instale la válvula remota

- Introduzca el arosello en la ranura en la cara inferior del bonete.
- Introduzca el ensamblaje de la válvula remota a través del orificio de montaje.
- Deslice la placa en la válvula remota, y luego apriete con una llave de apriete las 3 tuercas para fijar la válvula remota.



3. Instale el surtidor

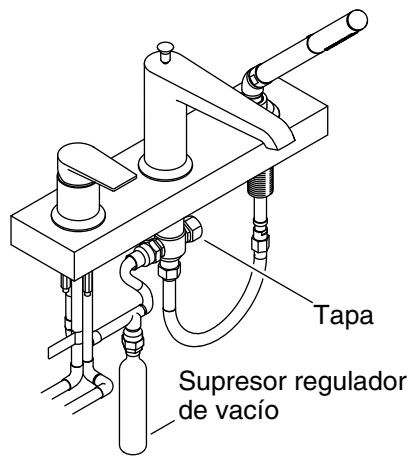
- Enrosque la tuerca por completo hasta abajo de la válvula desviadora.
- Introduzca desde abajo la válvula desviadora en el orificio de montaje.
- Enrosque el collarín de latón con el arosello hacia abajo en la válvula desviadora hasta que se detenga.
- Con una llave, apriete la tuerca para fijar la válvula desviadora.
- Con pinzas de punta de aguja levante y sostenga el tubo de la válvula desviadora. Luego enrosque el tirador en el tubo de la válvula desviadora.
- Asegúrese de que el tornillo de fijación no sobresalga de la pared interior del surtidor. Si es necesario, desenrosque un poco el tornillo de fijación.



4. Instale la perilla del tirador

IMPORTANT! No doble el tirador al instalar el surtidor.

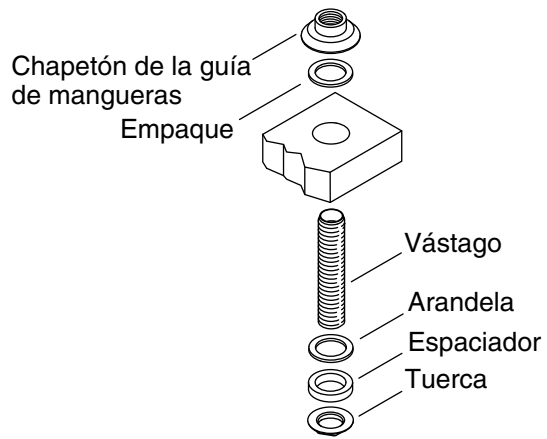
- Coloque el surtidor sobre el tirador, y deslícelo hacia abajo en la válvula desviadora.
- Apriete el tornillo de fijación.
- Introduzca el tapón botón en el orificio del tornillo de fijación.
- Con pinzas de punta de aguja levante y sostenga el vástago para instalar la perilla.
- Ajuste la perilla del tirador en el tirador. Apriete los dos tornillos de fijación.



5. Conecte la plomería

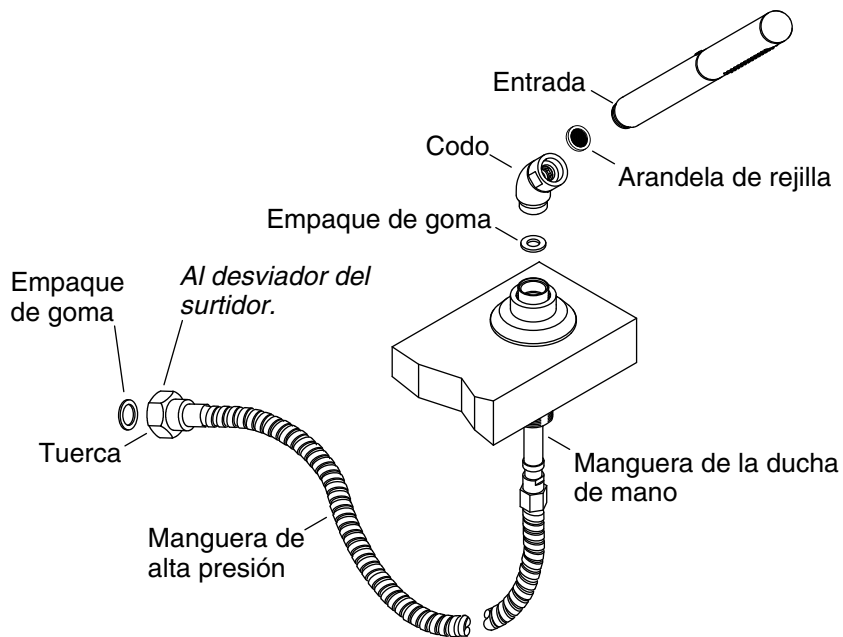
NOTE: La ilustración muestra un método de conexión de plomería sugerido. Las conexiones de plomería reales pueden variar de sitio a sitio.

- Verifique que el surtidor, la válvula desviadora, y la válvula remota estén bien colocados y fijos.
- Corte y ensamble la tubería de cobre y las conexiones para ajustarse al diagrama de instalación.
- Instale un supresor regulador de vacío cerca de la entrada a la válvula desviadora. Siga las instrucciones del fabricante del supresor regulador de vacío.
- Suelde las conexiones.
- Use cinta selladora de roscas, y apriete bien con llave de apriete una tapa en el puerto de entrada abierto en la válvula desviadora.



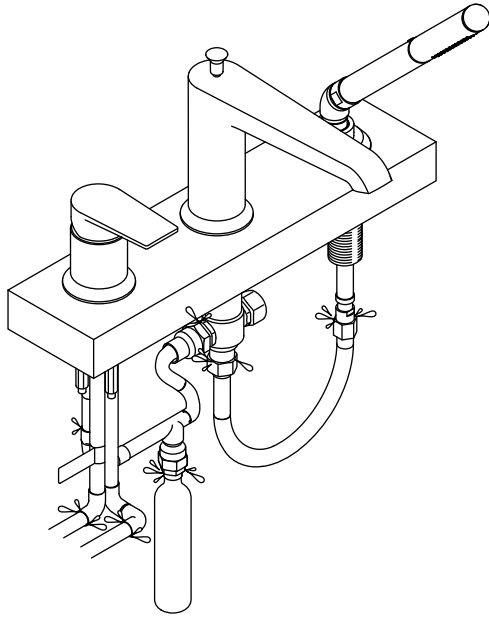
6. Instale la guía de mangueras

- Enrosque el chapetón de la guía de mangueras en el vástago.
- Introduzca el ensamblaje de la guía de mangueras y el empaque en el orificio de montaje.
- Deslice desde abajo la arandela y el espaciador hacia arriba del vástago.
- Enrosque la tuerca hacia arriba de la guía de mangueras, y apriete bien con una llave de apriete.



7. Instale la ducha de mano

- Deje correr agua caliente y agua fría por la salida de la ducha para eliminar partículas y residuos.
- Introduzca la arandela de rejilla en el extremo de salida del codo, y enrosque el codo en la ducha de mano. Ajuste la posición del codo lo que sea necesario de forma que la ducha de mano instalada se incline sobre el reborde de la bañera.
- Ajuste un empaque de goma en el extremo cónico de la manguera de la ducha de mano, y apriete bien a mano la manguera de la ducha de mano al codo.
- Ajuste un empaque de goma en la manguera de la ducha de mano, y apriete bien a mano la manguera de la ducha de mano a la manguera de alta presión.
- Pase las mangueras hacia dentro de la guía de mangueras.
- Ajuste un empaque de goma en el extremo de la manguera de alta presión, y apriete bien con una llave de apriete la manguera de alta presión al desviador del surtidor.



8. Termine de hacer la instalación

- Abra los suministros de agua.
- Verifique que no haya fugas en ninguna de las conexiones. Repare si es necesario.
- Gire la manija de la válvula remota a la posición abierta (ON).
- Verifique que no haya fugas en ninguna de las conexiones. Repare si es necesario.
- Active la ducha de mano. Verifique que no haya fugas en las conexiones. Apriete las conexiones lo que sea necesario.
- Cierre el agua y revise que la perilla del tirador baje de nuevo a su posición original.
- Abra el agua y verifique que el agua solo fluya del surtidor.

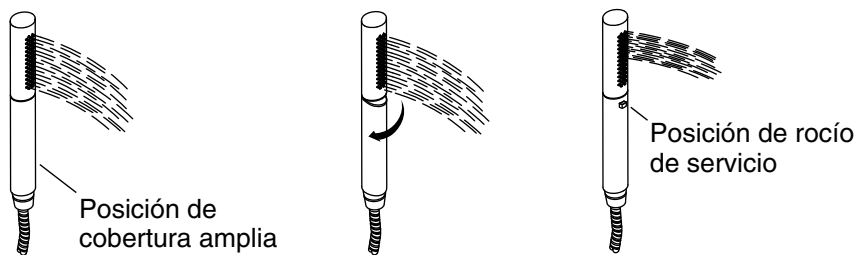
Cuidado y limpieza

Para obtener los mejores resultados, tenga presente lo siguiente al limpiar su producto KOHLER:

Cuidado y limpieza (cont.)

- Para limpiar utilice solamente detergente suave, como líquido para lavar vajillas, y agua tibia. No utilice limpiadores abrasivos que pudieran rayar u opacar la superficie.
- Lea atentamente la etiqueta del producto de limpieza para asegurarse de que no represente riesgos al usarse en el material.
- Siempre pruebe la solución de limpieza en un área oculta antes de aplicarla a toda la superficie.
- No deje los limpiadores durante mucho tiempo en la superficie.
- Limpie con un paño, y enjuague completa e inmediatamente con agua después de usar limpiadores. Enjuague y seque las superficies cercanas donde hayan caído salpicaduras.
- Utilice una esponja humedecida, o un paño suave y húmedo. Para limpiar las superficies nunca utilice materiales abrasivos, como cepillos o estropajos.

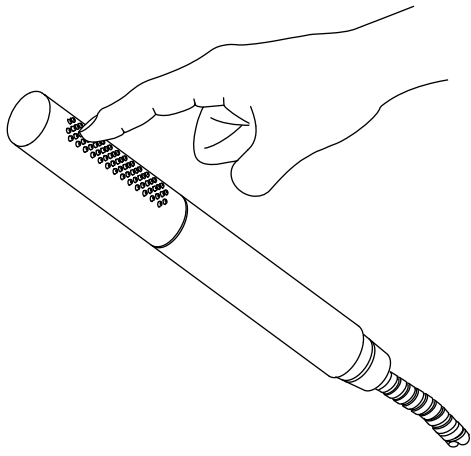
Para obtener información detallada de limpieza y de productos a considerar, visite kohler.com/clean. Para solicitar información sobre cuidado y limpieza, llame al 1-800-456-4537.



Uso de la ducha de mano

La ducha de mano tiene dos opciones de rocío, de cobertura amplia y de servicio.

- Para cambiar el rocío de su ducha de mano de cobertura amplia a rocío de servicio, gire la manija hasta que la placa exterior del rociador quede alineada con la protuberancia en el mango.



Limpie las boquillas

Para eliminar la suciedad y los depósitos minerales:

- Deje circular agua por la ducha de mano.
- Frote bien las boquillas de rocío con un dedo, moviendo el dedo hacia delante y hacia atrás, en la cara de la ducha de mano.
- Si este procedimiento no mejora el funcionamiento de la ducha de mano, prosiga a la sección "Limpie la arandela de rejilla" en esta guía.



Limpie la arandela de rejilla

- Retire la ducha de mano del codo.
- Haga palanca con cuidado con un pequeño destornillador plano para levantar el borde de la arandela de rejilla.
- Retire la arandela de rejilla. No trate de desinstalar el controlador de flujo.
- Limpie la arandela de rejilla para eliminar la suciedad y los depósitos minerales.
- Vuelva a instalar la arandela de rejilla.
- Vuelva a instalar la ducha de mano al codo.

Garantía

Garantía limitada de por vida para la grifería KOHLER®

Kohler Co. garantiza sus griferías* fabricadas después del 1.º de enero de 1997 contra problemas de fugas y goteo durante el uso residencial normal, mientras el comprador consumidor original sea el propietario de su casa. En caso de que la grifería presente fugas o goteo durante el uso normal, Kohler Co. enviará por correo, y sin ningún cargo al comprador original, el cartucho necesario para que la grifería funcione correctamente. Esta garantía se aplica solo a la grifería Kohler instalada en los Estados Unidos de América, Canadá o México ("Norteamérica").

Kohler Co. también garantiza todas las demás características de la grifería o de los accesorios ("Grifería")*, (excepto los acabados de oro, que no sean Vibrant®, o que no sean de cromo) contra defectos de

Garantía (cont.)

material y mano de obra, durante el uso residencial normal, mientras el comprador consumidor original sea el propietario de su casa. Esta garantía se aplica solo a la grifería Kohler instalada en Norteamérica. Si se llegara a encontrar algún defecto durante el uso residencial normal, Kohler Co., a su criterio, reparará, proveerá un repuesto o producto, o realizará los ajustes pertinentes. Esta garantía no cubre daños causados por accidentes, abuso o uso indebido del producto. El cuidado y la limpieza indebidos anulan la garantía**. Al presentar las reclamaciones de garantía a Kohler Co. es necesario incluir el comprobante de compra (recibo de venta original). Kohler Co. no se hace responsable de costos de mano de obra, instalación u otros costos incidentales o indirectos. En ningún caso la responsabilidad de Kohler Co. excederá el precio de compra de la grifería.

Si la grifería se utiliza comercialmente o si se instala fuera del territorio de Norteamérica, o si el acabado es de oro, no es Vibrant o es un acabado de color con revestimiento de pintura o polvo, Kohler Co. garantiza la grifería contra defectos de material y mano de obra durante un (1) año a partir de la fecha de instalación, bajo la garantía limitada de un año estándar de Kohler Co.

Si usted considera que tiene una reclamación en virtud de la garantía, comuníquese con Kohler Co. a través de su distribuidor, contratista de plomería, centro de remodelación o distribuidor por Internet, o escriba a Kohler Co., Atención: Customer Care Center, 444 Highland Drive, Kohler, WI 53044, EE.UU. Asegúrese de proporcionar toda la información pertinente a su reclamación, incluida una descripción completa del problema, el producto, el número de modelo, el color, el acabado, la fecha de compra y el lugar de compra del producto. También incluya el recibo original. Para consultar información adicional, o para obtener el nombre y la dirección del lugar de reparación y servicio más cercano a usted, llame al 1-800-4-KOHLER (1-800-456-4537) en los EE.UU. y Canadá, y al 001-800-456-4537 en México, o visite www.kohler.com en los EE.UU., www.ca.kohler.com en Canadá, o www.mx.kohler.com en México.

KOHLER CO. Y/O EL VENDEDOR OFRECEN ESTAS GARANTÍAS QUE SUSTITUYEN A TODAS LAS DEMÁS GARANTÍAS, EXPRESAS O IMPLÍCITAS, INCLUIDAS, ENTRE OTRAS, LAS GARANTÍAS IMPLÍCITAS DE COMERCIALIZACIÓN E IDONEIDAD PARA UN USO DETERMINADO. KOHLER CO. Y/O EL VENDEDOR DESCARGAN TODA RESPONSABILIDAD POR CONCEPTO DE DAÑOS PARTICULARES, INCIDENTALES O INDIRECTOS. Algunos estados/algunas provincias no permiten limitaciones en cuanto a la duración de una garantía implícita o a la exclusión o limitación de dichos daños, por lo que es posible que

Garantía (cont.)

estas limitaciones y exclusiones no se apliquen a su caso. Esta garantía otorga al consumidor ciertos derechos legales específicos. Además, usted puede tener otros derechos que varían de estado a estado y de provincia a provincia.

Esta es la garantía exclusiva por escrito de Kohler Co.

*La grifería Trend®, la torre MasterShower®, los sistemas y los componentes BodySpa, la torre, los sistemas y los componentes WaterHaven®, las griferías Tripoint®, el acabado en oro pulido, que no sea Vibrant, y los acabados con revestimiento de pintura o en polvo, las conexiones, todos los artículos contenidos en la sección "Fixture Related" de la lista de precios de la grifería Kohler, los desagües, las coladeras de fregadero Duostrainer®, los dispensadores de jabón y loción, la bocina inalámbrica Moxie®; y la grifería de uso comercial e instalada fuera del territorio de Norteamérica, están cubiertos por la garantía limitada de un año de Kohler Co.

**Nunca utilice limpiadores que contengan abrasivos, amoníaco, blanqueador, ácidos, ceras, alcohol, disolventes u otros productos no recomendados para el cromo. Esto anula la garantía.

Garantía

Para México

KOHLER CO.

Se recomienda que al momento de compra se verifique que todos los accesorios y componentes estén completos en esta caja.

Se garantiza este producto Kohler contra defectos en material y mano de obra durante un (1) año a partir de la fecha de compra que aparezca en la factura o en el recibo.

1. Kohler Co. prestará servicio únicamente a los productos comercializados a través de sus distribuidores autorizados.
2. Para obtener el servicio de garantía, favor de presentar la factura de compra y la garantía correspondiente.
3. Kohler Co., a través de sus distribuidores autorizados, se compromete a reparar el producto defectuoso o, cuando la reparación no sea posible, reemplazarlo por uno nuevo o por un modelo equivalente (en caso de que el producto haya sido discontinuado) sin ningún cargo al consumidor.
4. El tiempo de reparación no excederá seis (6) semanas a partir de la fecha de recepción del producto.

Garantía (cont.)

5. Se recomienda al consumidor que conserve el recibo o la factura de compra como protección adicional, pues el mismo puede sustituir a la garantía en caso de que exista discrepancia en cuanto a la validez de la misma.

EXCEPCIONES Y RESTRICCIONES

La garantía no tendrá validez en los siguientes casos:

1. Cuando el producto no se utilice conforme a las instrucciones de uso y funcionamiento que se incluyen en el manual del usuario o en las instrucciones de instalación, y cuando no observen las recomendaciones y las advertencias provistas.
2. Cuando el producto se haya modificado o desmantelado parcial o totalmente, o manipulado de manera negligente y, como consecuencia, haya sufrido daños atribuibles al consumidor, a personas o a herrajes no autorizados por Kohler Co.
3. Esta garantía no cubre los daños que resulten de desastres naturales, tales como incendios o casos de fuerza mayor, como inundaciones, terremotos, tormentas eléctricas, etc. Para obtener una lista de distribuidores cerca de usted y así hacer valer sus derechos bajo esta garantía, llame al 001-800-456-4537.

KOHLER CO., KOHLER, WI 53044 U.S.A.

IMPORTADOR:

COMERCIALIZADORA INTERCERAMIC, S.A. DE C.V.

AV. CARLOS PACHECO NO. 7200, COL. MADERA 65

CHIHUAHUA, CHIH., MÉXICO C.P. 31060

R.F.C. CIN141022IE9

TEL: 52 (614) 429-11-11

IMPORTADOR:

GAMA MATERIALES Y ACEROS, S.A. DE C.V.

AVE. LOS ÁNGELES NO. 1800

COL. VALLE DEL NOGALAR, SAN NICOLÁS DE LOS GARZA

N.L. MÉXICO

R.F.C. GMA901220U11

TEL: 81-1160-5500

USA/Canada: 1-800-4KOHLER

México: 001-800-456-4537

kohler.com

THE BOLD LOOK
OF **KOHLER**®

©2017 Kohler Co.

1330094-2-A