

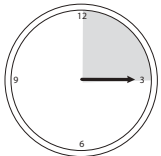


AFFORDABLE INNOVATIVE

Achim's family of Home Furnishings thanks you for your most recent purchase. We are confident this product will bring you years of pleasure and enjoyment !

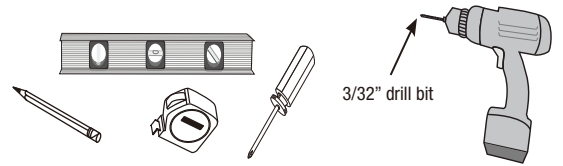
Instructions for Installation, Operation and Cleaning

Congratulations on your G2 cordless blind purchase! You can take pride and comfort in knowing that your new blind will be easy to install, will add to your home's beauty, and will perform to your expectations. Before beginning installation, please take a moment to review the following instructions and safety warnings.

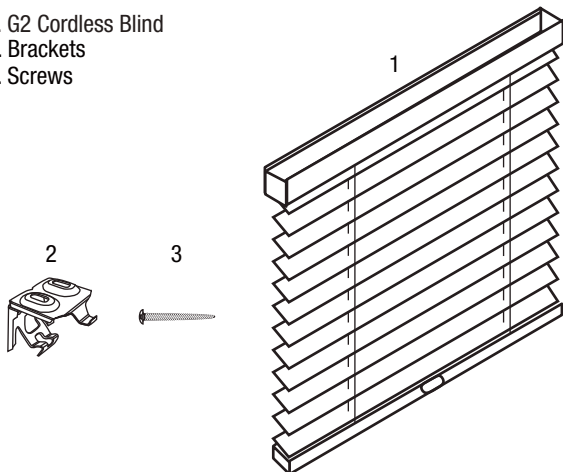


Time Required: 15 minutes

Tools Needed



- 1. G2 Cordless Blind
- 2. Brackets
- 3. Screws



IMPORTANT SAFETY INFORMATION

Read all instructions , warning tags, and labels provided with your product to avoid injury. Keep this manual.

Please contact our Customer Service Center at the phone number, email or address below for additional support.

For additional safety tips visit the Home Safety Council at www.homesafety.org.

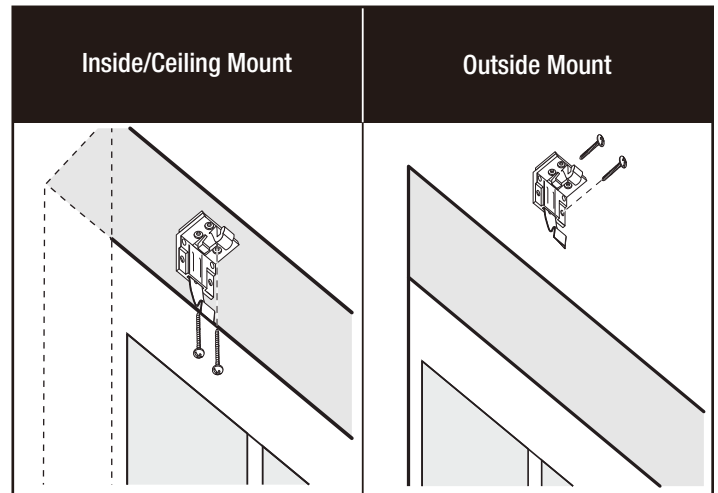


If you have any questions regarding installation please call Achim's Customer Service at 1800-54-ACHIM www.achimonline.com

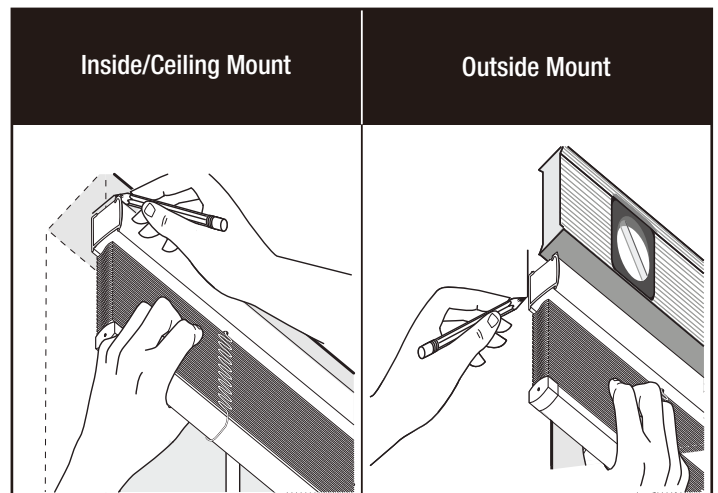
02032015

Installation Instructions

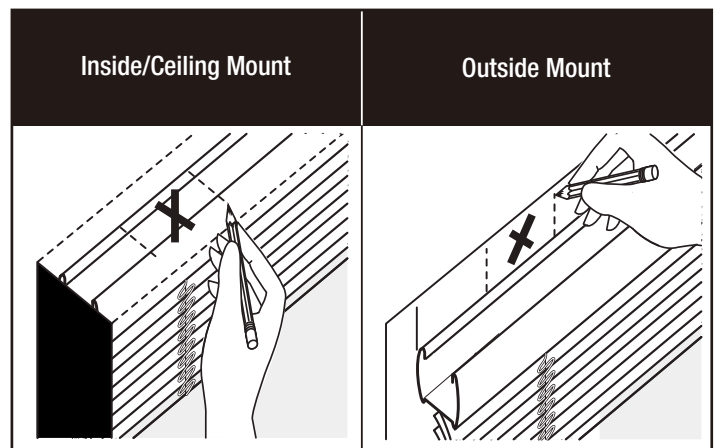
1. Determine inside/ceiling or outside mount



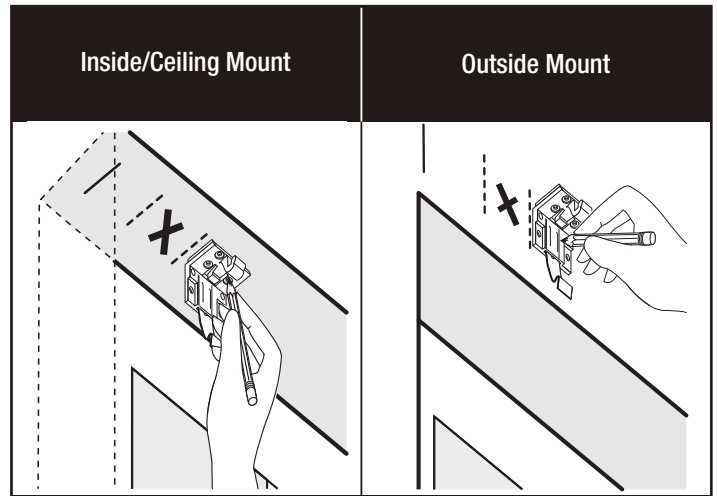
2. Place blind in desired location and mark corners.



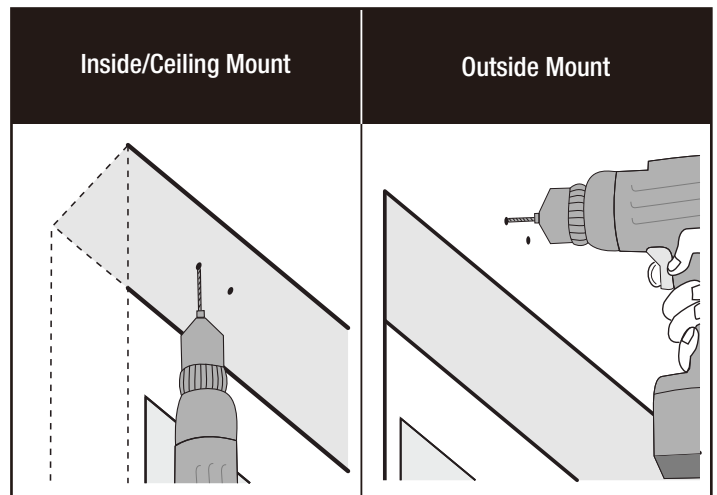
3. Tilt blind forward and mark location of internal components. For proper operation of the blind, brackets must be outside of this area.



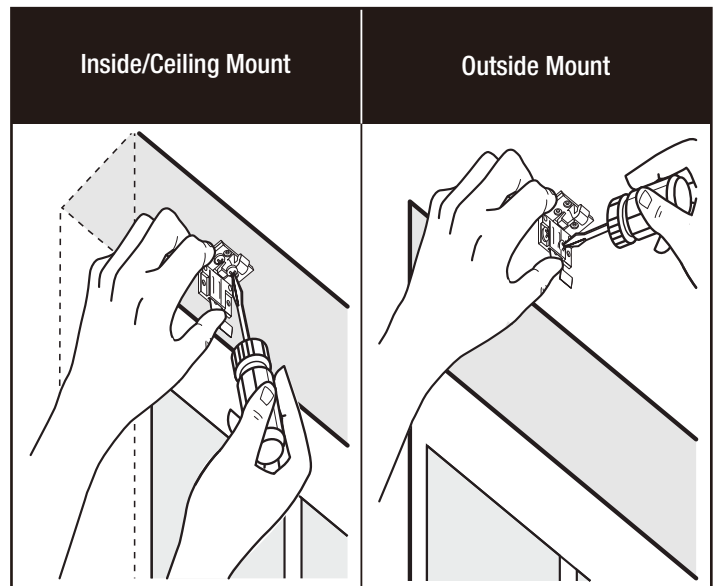
4. Mark screw locations. Align edge of bracket with inside or outside of marks made in step 3, ensuring to avoid the "X."



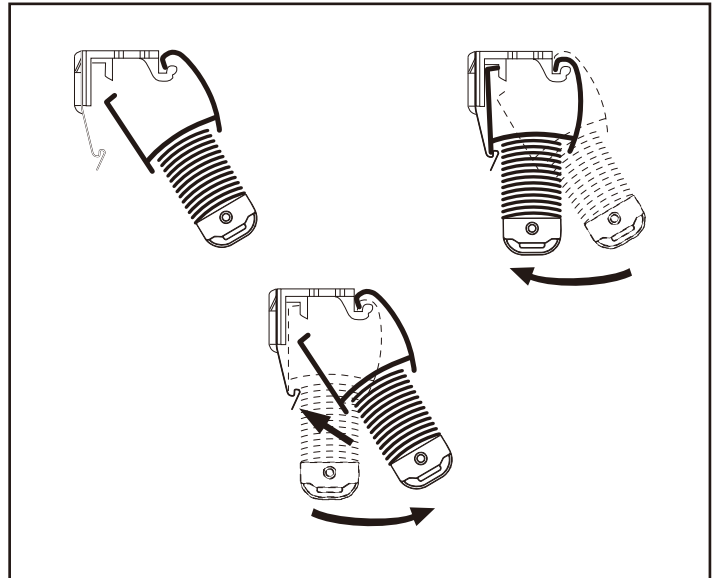
5. Drill holes.



6. Screw brackets into place.



7. Mount blind in brackets.



Operation Instructions

TO BRING BLIND DOWN TO WINDOW SILL:

Pull blind down to the window sill by pushing on button located at the center of the bottom rail and gently pulling down.

Tip: You may pull blind all the way down to the window sill or stop at any desired height.



TO FULLY OPEN BLIND:

Push blind up by pushing on the button located at the center of the bottom rail and gently pushing up.

Tip: You may fully open blind to top of window or stop at any desired height.



TO TILT SLATS:

Use tilt wand to open and close blinds as desired.



TIP:

You can always move blind up and down and adjust slat tilt at any time.

TO CLEAN BLIND:

Dust gently with clean, damp non-abrasive cloth.

NOTE:

This blind cannot be shortened. Blind intentionally made longer to allow for slat tilt operation. Altering the length of this blind will compromise the function and shall void the warranty.

ACHIM'S CONTACT

If you have any questions regarding installation please call Achim's Customer Service at 1800-54-ACHIM
www.achimonline.com

