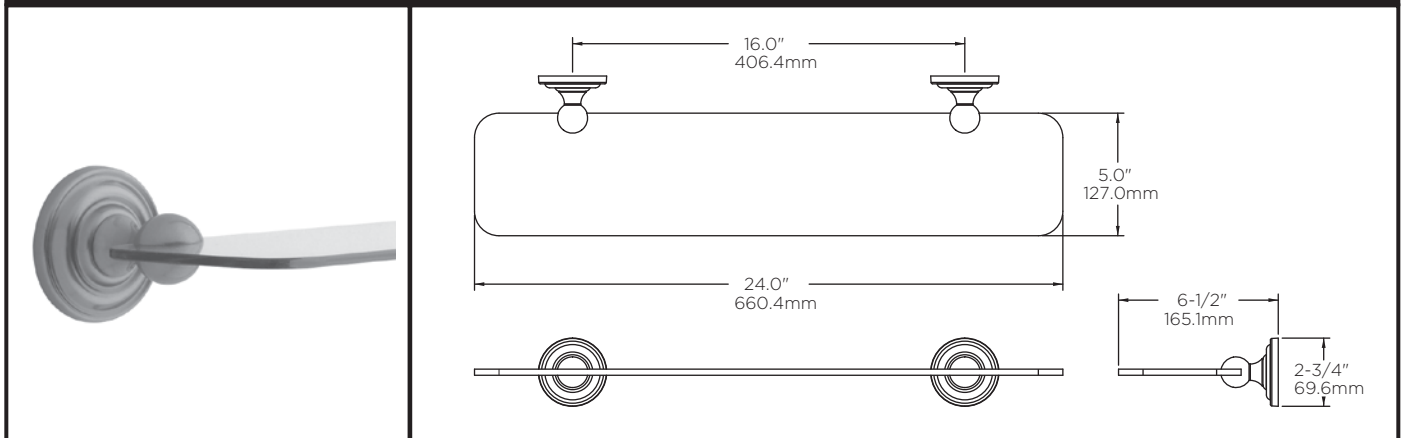


TECHNICAL DATA

Greenwich®

24 in. TEMPERED GLASS SHELF



MATERIALS:
 Post - Zinc Die Cast
 Escutcheon - Zinc Die Cast
 Shelf - Glass
 Wall Plate - Steel x 19 Gauge, Nickel Plated

OPTIONAL FASTENER INFORMATION:
 Wood blocking is preferable behind all wall surfaces. If wood blocking is not available, the following fasteners are suggested: Tile/Masonry - Plastic or Lead Anchors, Plaster/Drywall - Toggle Bolts.

SPECIFICATION: Surface mounted tempered glass shelf shall be model _____
 (fill in model number) by Liberty Hardware Manufacturing Corporation.

