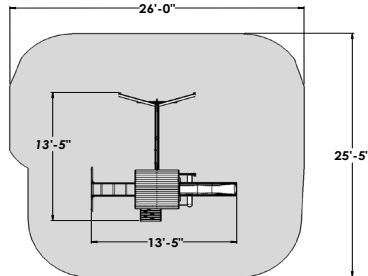


CRANBROOK FORT AND SWING – F23875AUSI

INSTALLATION AND OPERATING INSTRUCTIONS



! WARNING To reduce the risk of serious injury or death, you must read and follow these instructions. Keep and refer to these instructions often and give them to any future owner of this play system. Manufacturer contact information provided below.

OBSTACLE FREE SAFETY ZONE - 25'5" x 26' (7.75 m x 7.92 m) area requires Protective Surfacing. See page 3.

MAXIMUM VERTICAL FALL HEIGHT - 6'5" (1.98 m)

CAPACITY - 11 Users Maximum, Ages 3 to 10; Weight Limit 110 lbs. (49.9 kg) per child.

RESIDENTIAL HOME USE ONLY. Not intended for public areas such as schools, churches, nurseries, day cares or parks.



8 - 10 Hrs
Two person assembly

SLIDE SOLD SEPARATELY



Cedar Summit
c/o ©Solowave Design L.P.
Mount Forest, ON Canada
N0G 2L0
www.cedarsummitplay.com
support@cedarsummitplay.com
Customer Service
1-519-323-2258

Table of Contents

Warnings and Safe Play Instructions pg. 2
 Protective Surfacing Guidelines pg. 3
 Instructions for Proper Maintenance pg. 4
 About Our Wood – Limited Warranty pg. 5
 Keys to Assembly Success pg. 6
 Metric Conversion Sheets pg. 7,8
 Part ID pg. 9

Warnings and Safe Play Instructions



CONTINUOUS ADULT SUPERVISION REQUIRED. Most serious injuries and deaths on playground equipment have occurred while children were unsupervised! Our products are designed to meet mandatory and voluntary safety standards. Complying with all warnings and recommendations in these instructions will reduce the risk of serious or fatal injury to children using this play system. Go over the warnings and safe play instructions regularly with your children and make certain that they understand and follow them. Remember on-site adult supervision is required for children of all ages.



WARNING

SERIOUS HEAD INJURY HAZARD

Installation over concrete, asphalt, dirt, grass, carpet and other hard surface creates a risk of serious injury or death from falls to the ground. Install and maintain shock absorbing material under and around play-set as recommended on page 3 of these instructions.

COLLISION HAZARD

Place play-set on level ground at least 6 feet from any obstruction such as a garage or house, fences, poles, trees, sidewalks, walls, landscape timbers, rocks, pavement, planters, garden borders, overhanging branches, laundry lines, and electrical wires. (See OBSTACLE FREE SAFETY ZONE on cover)

CHOKING HAZARD/SHARP EDGES & POINTS

Adult assembly required. This product contains small parts and parts with sharp edges and points. Keep parts away from children until fully assembled.

WARNING LABEL

Owners shall be responsible for maintaining the legibility of the warning labels.

STRANGULATION HAZARD

- NEVER allow children to play with ropes, clotheslines, pet leashes, cables, chains or cord-like items when using this play-set or to attach these items to play-set.
- NEVER allow children to wear loose fitting clothing, ponchos, hoods, scarves, capes, necklaces, items with draw-strings, cords or ties when using this play-set.
- NEVER allow children to wear bike or sport helmets when using this play-set.

Failure to prohibit these items, even helmets with chin straps, increases the risk of serious injury and death to children from entanglement and strangulation.

TIP OVER HAZARD

Choose a level location for the equipment. This can reduce the likelihood of the play set tipping over and loose-fill surfacing materials washing away during heavy rains.

DO NOT allow children to play on the play-set until the assembly is complete and the unit is properly anchored.



WARNING – Safe Play Instructions

- ✓ Observe capacity limitations of your play-set. See front cover.
- ✓ Dress children with well fitting and full foot enclosing footwear.
- ✓ Teach children to sit with their full weight in the center of the swing seat to prevent erratic swing motion or falling off.
- ✓ Check for splintered, broken or cracked wood; missing, loose, or sharp edged hardware. Replace, tighten and or sand smooth as required prior to playing.
- ✓ Verify that suspended climbing ropes, rope ladders, chain or cable are secured at both ends and cannot be looped back on itself as to create an entanglement hazard.
- ✓ On sunny and or hot days, check the slide and other plastic rides to assure that they are not very hot as to cause burns. Cool hot slide and rides with water and wipe dry prior to using.
- ✗ Do not allow children to wear open toe or heel footwear like sandals, flip-flops or clogs.
- ✗ Do not allow children to walk, in front, between, behind or close to moving rides.
- ✗ Do not let children twist swing chains or ropes or loop them over the top support bar. This may reduce the strength of the chain or rope and cause premature failure.
- ✗ Do not let children get off rides while they are in motion.
- ✗ Do not permit climbing on equipment when it is wet.
- ✗ Do not permit rough play or use of equipment in a manner for which it was not intended. Standing on or jumping from the roof, elevated platforms, swings, climbers, ladders or slide can be dangerous.
- ✗ Do not allow children to swing empty rides or seats.
- ✗ Do not allow children to go down slide head first or run up slide.

⚠️ Protective Surfacing - Reducing Risk of Serious Head Injury From Falls.

One of the most important things you can do to reduce the likelihood of serious head injuries is to install shock-absorbing protective surfacing under and around your play equipment. The protective surfacing should be applied to a depth that is suitable for the equipment height in accordance with ASTM F1292. There are different types of surfacing to choose from; whichever product you select, follow these guidelines:

Loose-Fill Materials

- Maintain a minimum depth of 9 inches of loose-fill materials such as wood mulch/chips, engineered wood fiber (EWF), or shredded/recycled rubber mulch for equipment up to 8 feet high; and 9 inches of sand or pea gravel for equipment up to 5 feet high. NOTE: An initial fill level of 12 inches will compress to about a 9-inch depth of surfacing over time. The surfacing will also compact, displace, and settle, and should be periodically raked and refilled to maintain at least a 9-inch depth.
- Use a minimum of 6 inches of protective surfacing for play equipment less than 4 feet in height. If maintained properly, this should be adequate. (At depths less than 6 inches, the protective material is too easily displaced or compacted.)

NOTE: Do not install home playground equipment over concrete, asphalt, or any other hard surface. A fall onto a hard surface can result in serious injury to the equipment user. Grass and dirt are not considered protective surfacing because wear and environmental factors can reduce their shock absorbing effectiveness. Carpeting and thin mats are not adequate protective surfacing. Ground level equipment -- such as a sandbox, activity wall, playhouse or other equipment that has no elevated play surface -- does not need any protective surfacing.

- Use containment, such as digging out around the perimeter and/or lining the perimeter with landscape edging. Don't forget to account for water drainage.
- Periodically rake, check and maintain the depth of the loose-fill surfacing material. Marking the correct depth on the play equipment support posts will help you to see when the material has settled and needs to be raked and or replenished. Be sure to rake and evenly redistribute the surfacing in heavily used areas.
- Do not install loose fill surfacing over hard surfaces such as concrete or asphalt.

Poured-In-Place Surfaces or Pre-Manufactured Rubber Tiles

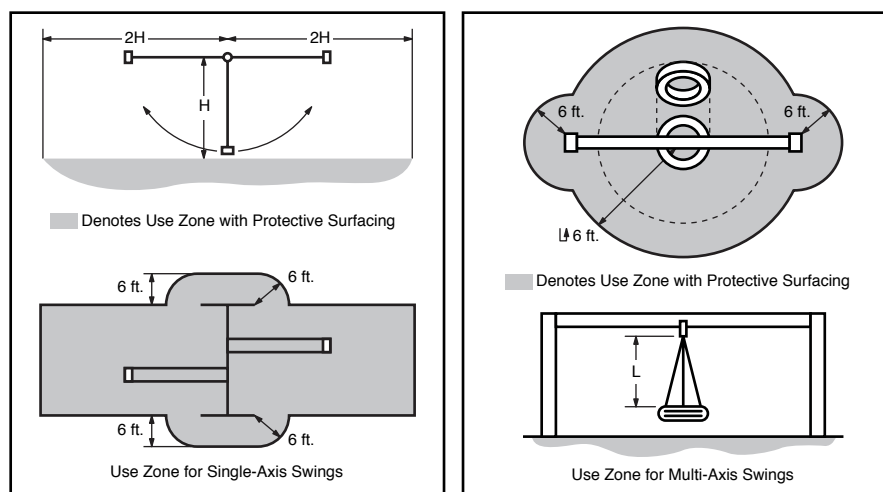
You may be interested in using surfacing other than loose-fill materials - like rubber tiles or poured-in-place surfaces.

- Installations of these surfaces generally require a professional and are not "do-it yourself" projects.
- Review surface specifications before purchasing this type of surfacing. Ask the installer/manufacture for a report showing that the product has been tested to the following safety standard: ASTM F1292 *Standard Specification for Impact Attenuation of Surfacing Materials within the Use Zone of Playground Equipment*. This report should show the specific height for which the surface is intended to protect against serious head injury. This height should be equal to or greater than the fall height - vertical distance between a designated play surface (*elevated surface for standing, sitting, or climbing*) and the protective surfacing below - of your play equipment.
- Check the protective surfacing frequently for wear.

Placement

Proper placement and maintenance of protective surfacing is essential. Refer to diagram on front cover. Be sure to;

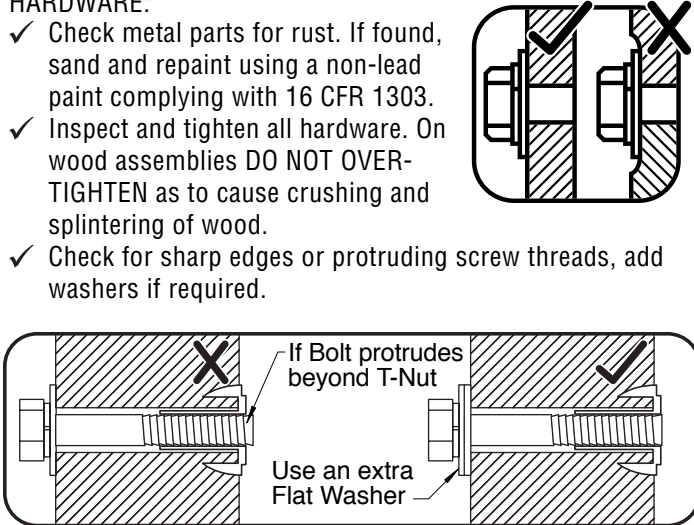
- Extend surfacing at least 6 feet from the equipment in all directions.
- For to-fro swings, extend protective surfacing in front of and behind the swing to a distance equal to twice the height of the top bar from which the swing is suspended.
- For tire swings, extend surfacing in a circle whose radius is equal to the height of the suspending chain or rope, plus 6 feet in all directions.



Instructions for Proper Maintenance

Your Cedar Summit Play System is designed and constructed of quality materials with your child's safety in mind. As with all outdoor products used by children, it will weather and wear. To maximize the enjoyment, safety and life of your Play Set, it is important that you, the owner, properly maintain it.

Check the following at the beginning of the play season:

<p>HARDWARE:</p> <ul style="list-style-type: none"> ✓ Check metal parts for rust. If found, sand and repaint using a non-lead paint complying with 16 CFR 1303. ✓ Inspect and tighten all hardware. On wood assemblies DO NOT OVER-TIGHTEN as to cause crushing and splintering of wood. ✓ Check for sharp edges or protruding screw threads, add washers if required.  <p>SHOCK ABSORBING SURFACING:</p> <ul style="list-style-type: none"> ✓ Check for foreign objects. Rake and check depth of loose fill protective surfacing materials to prevent compaction and maintain appropriate depth. Replace as necessary. (See Protective Surfacing, page 3) 	<p>GROUND STAKES (ANCHORS):</p> <ul style="list-style-type: none"> ✓ Check for looseness, damage or deterioration. Should firmly anchor unit to ground during use. Re-secure and or replace, if necessary. <p>SWING HANGERS:</p> <ul style="list-style-type: none"> ✓ Check that bolts are secure and tight. Quick clips should be completely closed and threaded clips screwed tight. ✓ If squeaking occurs lubricate bushings with oil or WD-40®. <p>SWINGS, ROPES AND RIDES:</p> <ul style="list-style-type: none"> ✓ Reinstall if removed during cold season. Check all moving parts including swing seats, ropes, chains and attachments for wear, rust and other deterioration. Replace as needed. ✓ Check that ropes are tight, secure at both ends and cannot loop back as to create an entrapment. <p>WOOD PARTS:</p> <ul style="list-style-type: none"> ✓ Check all wood members for deterioration, structural damage and splintering. Sand down splinters and replace deteriorated wood members. As with all wood, some checking and small cracks in grain is normal. ✓ Unprotected, they will appear weathered over time. Periodic application of an exterior water repellent or stain (water-based) will help improve appearance and life.
--	--

Check twice a month during play season:

<p>HARDWARE:</p> <ul style="list-style-type: none"> ✓ Inspect for tightness. Must be firmly against, but not crushing the wood. DO NOT OVER-TIGHTEN. This will cause splintering of wood. ✓ Check for sharp edges or protruding screw threads. Add washers if required. 	<p>SHOCK ABSORBING SURFACING:</p> <ul style="list-style-type: none"> ✓ Rake and check depth of loose fill protective surfacing materials to prevent compaction and maintain appropriate depth. Replace as necessary. (See Protective Surfacing, page 3)
---	---

Check once a month during play season:

<p>SWING HANGERS:</p> <ul style="list-style-type: none"> ✓ Check that they are secure and orientated correctly. Hook should rotate freely and perpendicular to support beam. ✓ If squeaking occurs lubricate bushings with oil or WD-40®. 	<p>SWINGS AND RIDES:</p> <ul style="list-style-type: none"> ✓ Check swing seats, all ropes, chains and attachments for fraying, wear, excessive corrosion or damage. Replace if structurally damaged or deteriorated.
--	---

Check at the end of the play season:

<p>SWINGS AND RIDES:</p> <ul style="list-style-type: none"> ✓ To prolong their life, remove swings and store inside when outside temperature is below 32°F/0°C. Below freezing, plastic parts may become more brittle. 	<p>SHOCK ABSORBING SURFACING:</p> <ul style="list-style-type: none"> ✓ Rake and check depth of loose fill protective surfacing materials to prevent compaction and maintain appropriate depth. Replace as necessary. (See Protective Surfacing, page 3)
--	---

If you dispose of your play set: Please disassemble and dispose of your unit so that it does not create any unreasonable hazards at the time it is discarded. Be sure to follow your local waste ordinances.

About Our Wood

Solowave Design™ uses only premium playset lumber, ensuring the safest product for your children's use. Although great care has been taken in selecting the best quality lumber available, wood is a product of nature and susceptible to weathering (changes in the aesthetics of the wood). A light sanding may be required to remove minor splinters. For your information, we have described some changes that may occur as a result of weathering:

1. **Checking** Checks are surface cracks in the wood along the grain. 4" x 4" material will experience more checking than 2", 1-1/4" or 1" material because the surface and interior moisture content will vary more widely than in thinner wood.
2. **Warping** Warping refers to any distortion (twisting, cupping) from the true plane that may take place during weathering.
3. **Fading** Wood exposed to sunlight, will over time, turn a grey color.

Note: The above changes will not affect the strength of the product.

What causes weathering?

One of the main reasons for weathering is the effects of water (moisture); the moisture content of the wood at the surface is different than the interior of the wood. As the moisture moves in or out of the wood (result of climate changes), the different moisture content causes tension in the wood, which can result in checking and or warping.

How can I reduce the amount of weathering to my Play System?

At the factory we have added water repellent to the stain. This water repellent decreases the amount of water absorption during rain or snow thus decreasing the tension in the wood. Sunlight will break down the water repellent, so we recommend applying a water repellent on a yearly basis (see your local stain and paint supplier for a recommended product). Also if storing the product before installation, make sure you store out of direct sunlight in a cool dry place.

Will weathering affect the strength of my Play System?

Most weathering is just the normal result of nature and will not affect safe play and enjoyment for your child. However if you are concerned that a part has experienced a severe weathering problem please call our consumer relations department for further assistance.

Complete and mail registration card to receive important product notifications and assure prompt warranty service.

2 Year Limited Warranty

Solowave Design warrants that this product is free from defect in materials and workmanship for a period of one year from the original date of purchase. In addition, lumber is warranted for 2 years against structural failure due to rot and insect damage. All other parts, such as hardware, swings, rides, accessories, and slides carry a one-year warranty only.

This warranty applies to the original owner and registrant and is non-transferable.

Regular maintenance is required to assure the integrity of your Play System. This warranty does not cover any inspection cost.

This Limited Warranty does not cover:

- Labor for replacement of any defective item(s);
- Incidental or consequential damages;
- Cosmetic defects which do not affect performance or integrity;
- Vandalism; improper use or installation; acts of nature;
- Minor twisting, warping, checking, or any other natural occurring properties of wood that do not affect performance or integrity.

Solowave Design products have been designed for safety and quality. Any modifications made to the original product could damage the structural integrity of the unit leading to failure and possible injury. Solowave Design Inc. cannot assume any responsibility for modified products. Furthermore, modification voids any and all warranties.

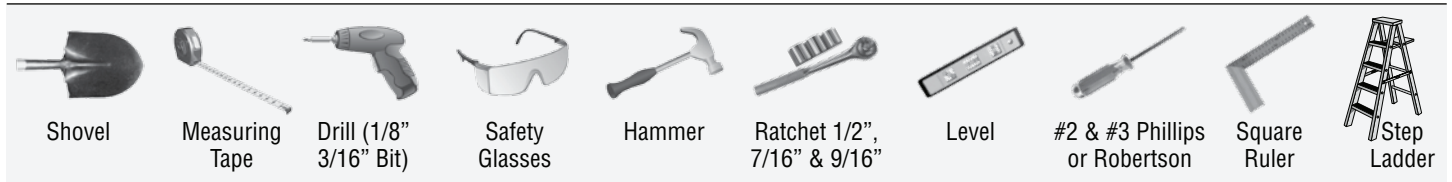
This product is warranted for RESIDENTIAL USE ONLY. Under no circumstance should a Solowave Design Play System be used in public settings such as schools, churches, playgrounds, parks, day cares and the like. Such use may lead to product failure and potential injury. Any and all public use will void this warranty.

Solowave Design disclaims all other representations and warranties of any kind, express or implied.

Our goods come with guarantees that cannot be excluded under the Australian Consumer Law. You are entitled to a replacement or refund for a major failure and for compensation for any other reasonably foreseeable loss or damage. You are also entitled to have the goods repaired or replaced if the goods fail to be of acceptable quality and the failure does not amount to a major failure.

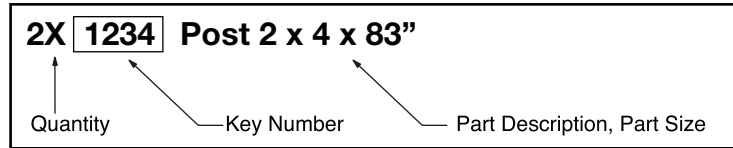
Keys to Assembly Success

Tools Required



Part Identification Key

On each page, you will find the parts and quantities required to complete the assembly step illustrated on that page. Here is a sample.



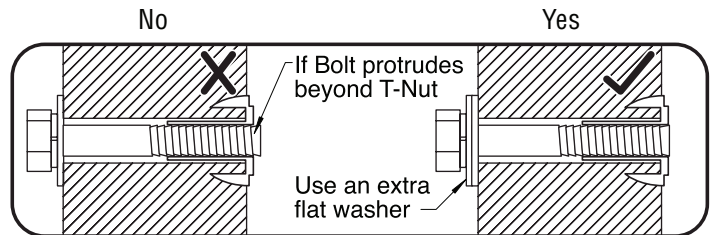
Symbols

Throughout these instructions symbols are provided as important reminders for proper and safe assembly.

<p>This identifies information that requires special attention. Improper assembly could lead to an unsafe or dangerous condition.</p>		<p>Check that set or assembly is properly level before proceeding.</p> <p>Use Level</p>
<p>Use Help</p>	<p>Use Help</p>	<p>Where this is shown, 2 or 3 people are required to safely complete the step. To avoid injury or damage to the assembly make sure to get help!</p>
<p>Measure Distance</p>	<p>Check that assembly is square before tightening bolts.</p>	<p>Pre-drill 1/8\"/> </p>
<p>Square Assembly</p>	<p>Use a measuring tape to assure proper location.</p>	<p>This indicates time to tighten bolts, but not too tight! Do not crush the wood. This may create splinters and cause structural damage.</p> <p>Tighten Bolts</p>

CAUTION – Protrusion Hazard

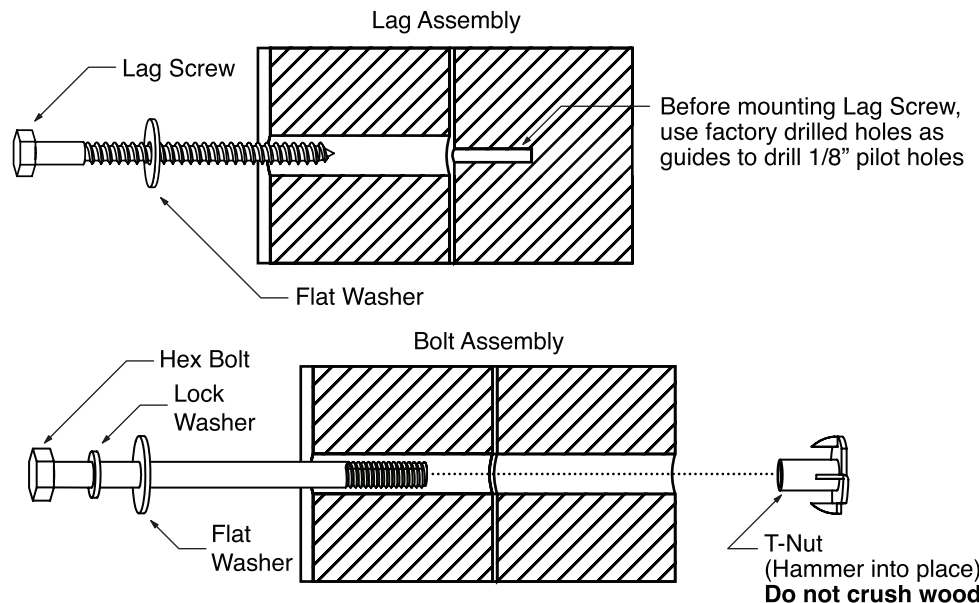
Once the assembly is tightened, watch for exposed threads. If a thread protrudes from the T-Nut, remove the bolt and add washers to eliminate this condition. Extra washers have been provided for this purpose.



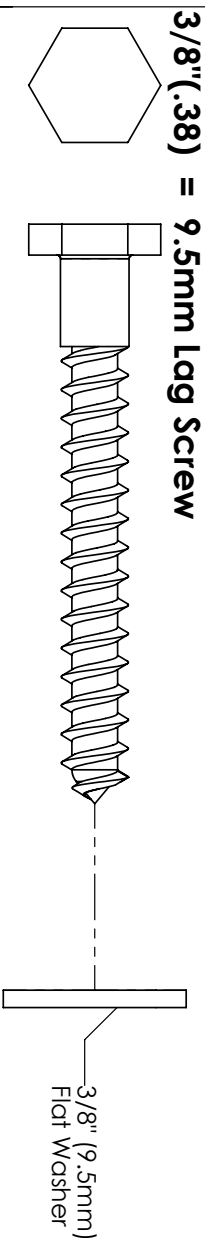
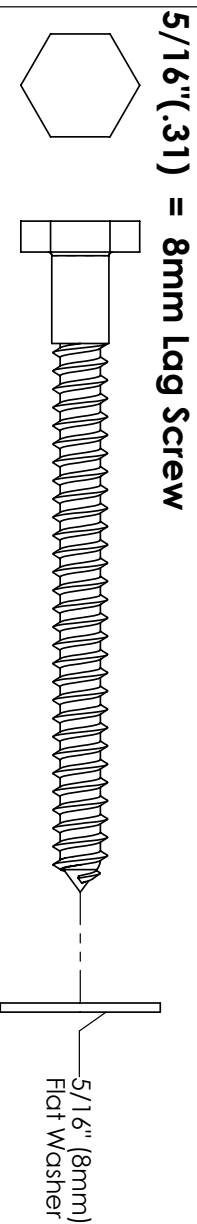
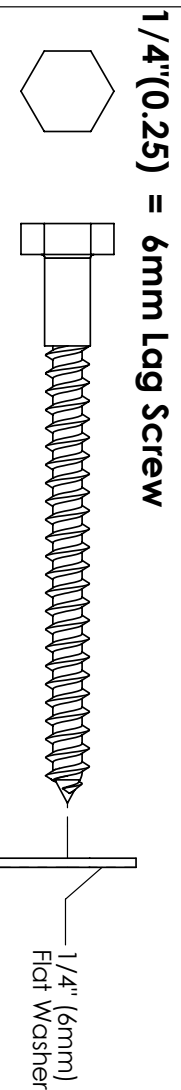
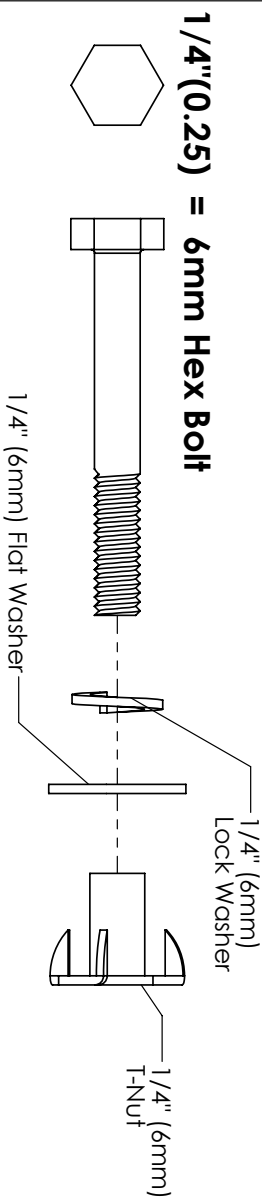
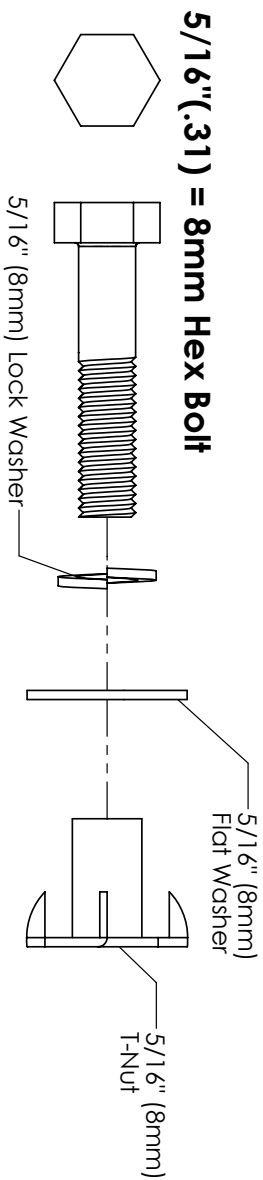
Proper Hardware Assembly

Lag screws require drilling pilot holes to avoid splitting wood. Only a flat washer is required. For ease of installation liquid soap can be used on all lag-type screws.

For bolts, tap T-Nut into hole with hammer. Insert the hex bolt through lock washer first then flat washer then hole. Because the assemblies need to be squared do not completely tighten until instructed. Pay close attention to diameter of the bolts. 5/16\"/>



SOLOWAVE DESIGN HARDWARE



HARDWARE LENGTH CHART
inches vs millimetres

6	152
5½	140
5	127
4½	114
4	102
3½	89
3	76
2½	64
2	51
1½	38
1¼	32
1-1/8	29
1	25.4
7/8	22
3/4	19
1/2	12.7

DIAMETER CONVERSION

1 inch = 25.4mm

For example:

BOLT DIAMETER 5/16 (0.31) inches

0.31 inches x 25.4mm = 8mm

LENGTH CONVERSION

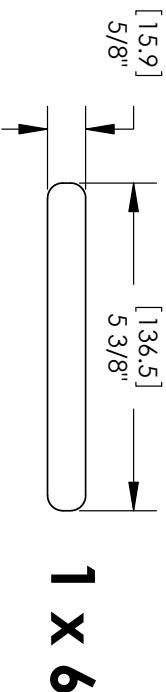
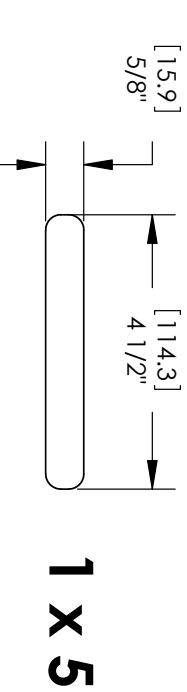
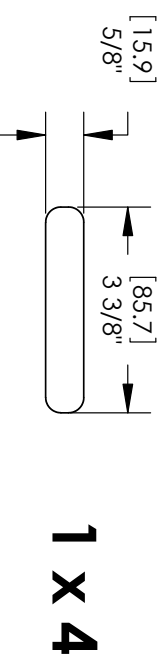
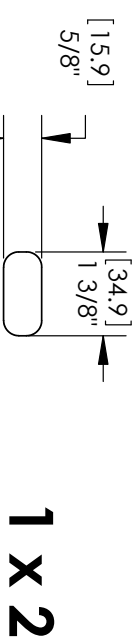
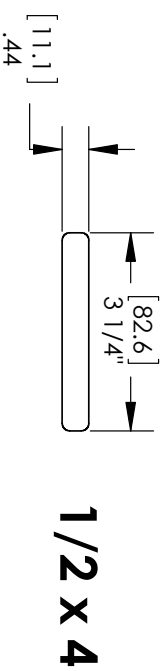
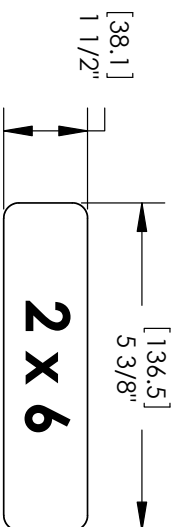
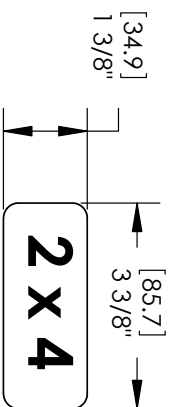
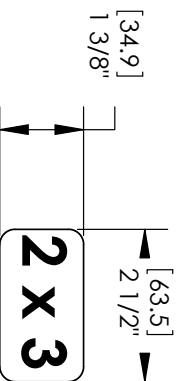
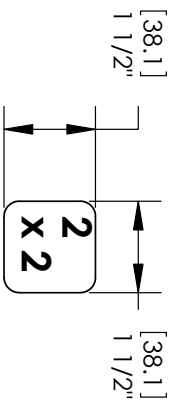
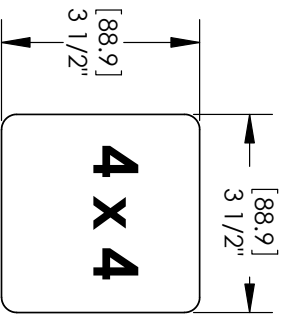
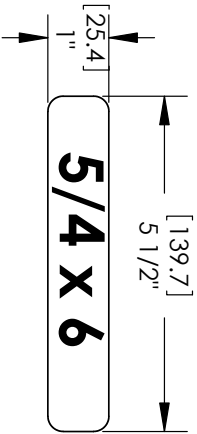
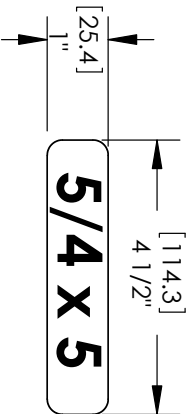
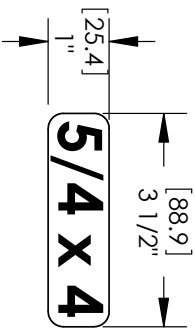
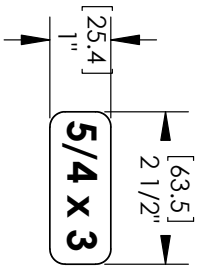
1 inch = 25.4mm

For example:

BOLT LENGTH 4½ (4.5) inches long

4.5 inches x 25.4mm = 114mm long

SOLO)WAVE DESIGN WOOD PROFILES



LENGTH CONVERSION

1 inch = 25.4mm

For example:

BOARD LENGTH 59 1/4 (59.25) inches

59.25 inches x 25.4mm = 1505mm

Dimensions in brackets [mm] represent millimetres.

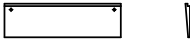
Part Identification (Reduced Part Size)

Nominal Size	Actual Size
1/2 x 4	7/16" x 3 1/4"
1 x 2	5/8" x 1 3/8"
1 x 4	5/8" x 3 3/8"
1 x 5	5/8" x 4 1/2"

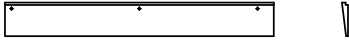
1 pc. - **2430** - Clock Siding 3/8 x 3 1/2 x 12-1/8 " - Box 4 - 3632430



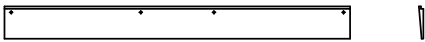
7 pc. - **2412** - CE Siding 3/8 x 3 1/2 x 12 1/8 " - Box 4 - 3632412



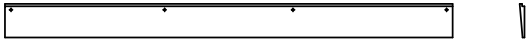
12 pc. - **2556** - CE Siding 3/8 x 3 1/2 x 28 " - Box 4 - 3632556



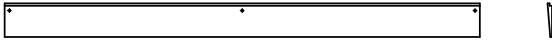
6 pc. - **1852** - CE Siding 3/8 x 3-1/2 x 36 " - Box 4 - 3631852



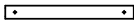
6 pc. - **2413** - CE Siding 3/8 x 3 1/2 x 46 5/8 " - Box 3 - 3632413



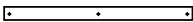
20 pc. - **2421** - Cedar Roofing 3/8 x 3 1/2 x 49 1/2 " - Box 4 - 3632421



6 pc. - **2409** - Window Trim 1 x 2 x 13 3/8 " - Box 2 - 3632409



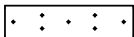
1 pc. - **1808** - Short Trim 1 x 2 x 19-5/8 " - Box 2 - 3641808



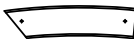
1 pc. - **1870** - Trim Short 1 x 2-1/2 x 19-5/8 " - Box 2 - 3641870



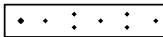
2 pc. - **2384** - Post Support 1 x 4 x 13 3/8 " - Box 3 - 3632384



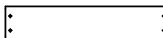
4 pc. - **2419** - Gable Side 1 x 4 x 13 23/32 " - Box 3 - 3632419



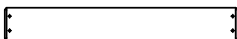
2 pc. - **2557** - MK Support 1 x 4 x 16-3/4 " - Box 3 - 3632557



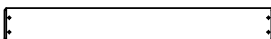
2 pc. - **0850** - CE Wall Board 1 x 4 x 17 " - Box 3 - 3630850



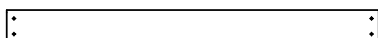
4 pc. - **1858** - Short Wall Support 1 x 4 x 24-1/4 " - Box 3 - 3641858



8 pc. - **5265** - Cedar Wall 1 x 4 x 28 " - Box 2 - 3635265



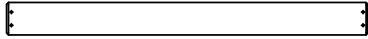
4 pc. - **2415** - Cedar Floor Board 1 x 4 x 38-3/4" - Box 4 - 3632415



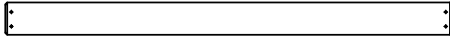
Part Identification (Reduced Part Size)

Nominal Size	Actual Size
1/2 x 4	7/16" x 3 1/4"
1 x 2	5/8" x 1 3/8"
1 x 4	5/8" x 3 3/8"
1 x 5	5/8" x 4 1/2"

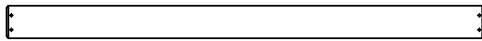
1 pc. - **2560** - Lower Bench 1 x 4 x 37 5/8 " - Box 2 - 3632560



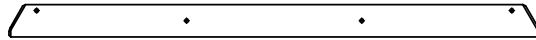
1 pc. - **2422** - Lower Back 1 x 4 x 46 1/2 " - Box 2 - 3632422



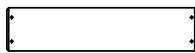
1 pc. - **2408** - Wall Support 1 x 4 x 49 3/4 " - Box 2 - 3632408



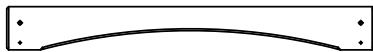
1 pc. - **0353** - MK Ground 1 x 4 x 55-1/4 " - Box 2 - 3640353



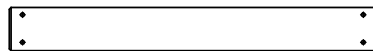
2 pc. - **2406** - Wall Board 1 x 5 x 19-3/4" - Box 2 - 3632406



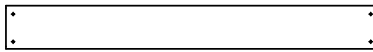
2 pc. - **2387** - Side Arch 1 x 5 x 38 1/4 " - Box 2 - 3632387



4 pc. - **0348** - SL Ground 1 x 5 x 38-1/4 " - Box 2 - 3640348



3 pc. - **1851** - Cedar Floor Board 1 x 5 x 38-3/4 " - Box 2 - 3631851



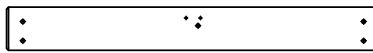
2 pc. - **1853** - Cedar Gap Board 1 x 5 x 38-3/4 " - Box 3 - 3631853



1 pc. - **2416** - Cedar Gap Board 1 x 5 x 38 3/4 " - Box 2 - 3632416



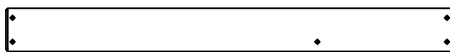
2 pc. - **2371** - Floor End 1 x 5 x 38 7/8 " - Box 2 - 3632371



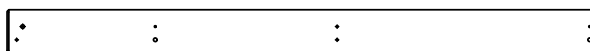
2 pc. - **2391** - Top Front Back 1 x 5 x 46 5/8 " - Box 4 - 3632391



1 pc. - **2559** - Window Bottom 1 x 5 x 46-5/8" - Box 2 - 3632559

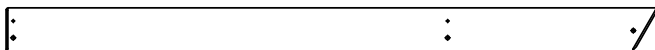


1 pc. - **2554** - Front Ground 1 x 5 x 61-3/8" - Box 2 - 3632554

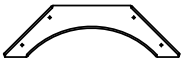


Part Identification (Reduced Part Size)

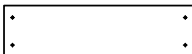
1 pc. - **2558** - Ground Back 1 x 5 x 68" - Box 2 - 3632558



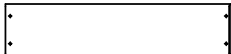
2 pc. - **2418** - Gable Top 1 x 6 x 19" - Box 3 - 3632418



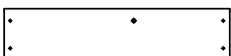
2 pc. - **0606** - CE Access Board 1 x 6 x 19 3/4" - Box 2 - 3630606



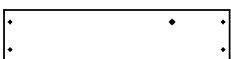
2 pc. - **0702** - CE Wall Boards 1 x 6 x 23-1/2" - Box 2 - 3630702



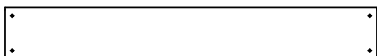
3 pc. - **2257** - Rock Board B 1 x 6 x 23-1/2" - Box 3 - 3632257



2 pc. - **2330** - Rock Board A 1 x 6 x 23-1/2" - Box 2 - 3632330



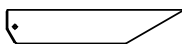
1 pc. - **2414** - Cedar Floor Board 1 x 6 x 38 3/4" - Box 2 - 3632414



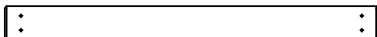
1 pc. - **2107** - Door Stop 5/4 x 4 x 10" - Box 4 - 3632107



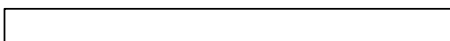
2 pc. - **2113** - Gusset II 5/4 x 4 x 18 1/2" - Box 3 - 3632113



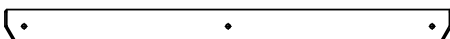
1 pc. - **2561** - Safety Rail 5/4 x 4 x 38-7/8" - Box 3 - 3632561



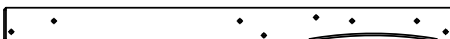
1 pc. - **0790** - Floor Joist 5/4 x 4 x 46-1/2" - Box 3 - 3640790



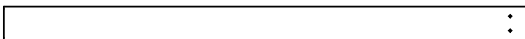
1 pc. - **1862** - SW Support 5/4 x 4 x 46-1/2" - Box 3 - 3641862



1 pc. - **2350** - Front Floor 5/4 x 4 x 46 3/4" - Box 3 - 3632350



2 pc. - **2555** - Rock Rail 5/4 x 4 x 54-1/2" - Box 3 - 3632555



1 pc. - **2370** - Floor Back 5/4 x 5 x 46 3/4" - Box 2 - 3632370



Nominal Size	Actual Size
5/4" x 4"	1" x 3 1/2"
5/4" x 5"	1" x 4 1/2"
5/4" x 6"	1" x 5 1/2"
1" x 6"	5/8" x 5 3/8"
1" x 5"	5/8" x 4 1/2"
1" x 4"	5/8" x 3 3/8"
2" x 2"	1 3/8" x 1 3/8"
2" x 3"	1 1/2" x 2 1/2"
2" x 4"	1 3/8" x 3 3/8"

Part Identification (Reduced Part Size)

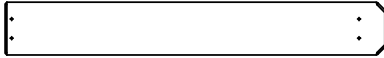
1 pc. - **0376** - Table Top 5/4 x 6 x 32 " - Box 2 - 3640376



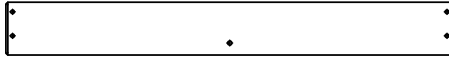
1 pc. - **2553** - MK Board 5/4 x 6 x 38-7/8 " - Box 2 - 3632553



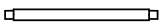
1 pc. - **2562** - Bench Top 5/4 x 6 x 39-3/4 " - Box 2 - 3632562



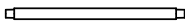
1 pc. - **2389** - SW Back 5/4 x 6 x 46-5/8 " - Box 2 - 3632389



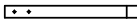
3 pc. - **578** - Tennon Dowel Ø1-1/8 x 15-7/8 " - Box 1 - 3681578



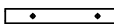
2 pc. - **858** - Tennon Dowel Ø1-1/8 x 18 5/8 " - Box 1 - 3681858



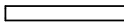
6 pc. - **0318** - Ground Stake 1-1/4 x 1-1/2 x 14 " - Box 1 - 3650318



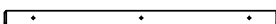
1 pc. - **2386** - Short Joist 2 x 2 x 11-1/2 " - Box 2 - 3632386



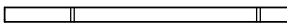
2 pc. - **0620** - SL Brace 2 x 2 x 12-1/2 " - Box 4 - 3640620



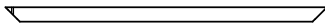
2 pc. - **2407** - Wall Joist 2 x 2 x 28-1/2 " - Box 3 - 3632407



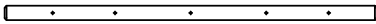
1 pc. - **2375** - Long Joist 2 x 2 x 29-3/4 " - Box 2 - 3632375



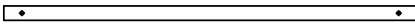
2 pc. - **2417** - Joist 2 x 2 x 33-1/2 " - Box 4 - 3632417



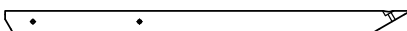
1 pc. - **1868** - Table Support 2 x 2 x 38-3/4 " - Box 4 - 3641868



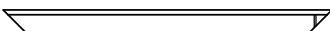
1 pc. - **0795** - Side Joist 2 x 2 x 43 " - Box 4 - 3640795



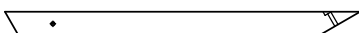
1 pc. - **2491** - Diagonal 2 x 3 x 42-1/4 " - Box 3 - 3632491



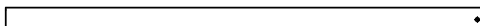
4 pc. - **2394** - Roof Support 2 x 3 x 34-1/4 " - Box 4 - 3632394



2 pc. - **0369** - Lower Diagonal 2 x 3 x 37 " - Box 2 - 3630369



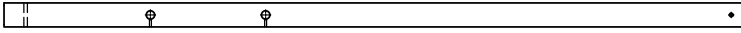
1 pc. - **2377** - Lower Post 2 x 3 x 49 3/4 " - Box 3 - 3632377



Nominal Size	Actual Size
5/4" x 4"	1" x 3 1/2"
5/4" x 5"	1" x 4 1/2"
5/4" x 6"	1" x 5 1/2"
1" x 6"	5/8" x 5 3/8"
1" x 5"	5/8" x 4 1/2"
1" x 4"	5/8" x 3 3/8"
2" x 2"	1 1/2" x 1 1/2"
2" x 3"	1 1/2" x 2 1/2"
2" x 4"	1 3/8" x 3 3/8"

Part Identification (Reduced Part Size)

2 pc. - **2382** - MK Post 2 x 3 x 77 1/2 " - Box 2 - 3632382



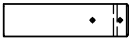
2 pc. - **2496** - Seat Block 2 x 4 x 3-1/4 " - Box 4 - 3632496



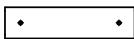
1 pc. - **4919** - SW Rail Block 2 x 4 x 5-3/8 " - Box 4 - 3644919



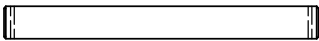
4 pc. - **2364** - Block 2 x 4 x 13 " - Box 4 - 3632364



1 pc. - **2484** - Bench Leg 2 x 4 x 13-1/2 " - Box 2 - 3632484



1 pc. - **2366** - Centre Post 2 x 4 x 32 3/4 " - Box 3 - 3632366



1 pc. - **2390** - SW Mount 2 x 4 x 34 1/2 " - Box 3 - 3632390



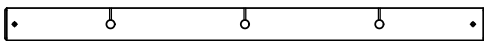
2 pc. - **2420** - Bottom Gable 2 x 4 x 41 " - Box 3 - 3632420



1 pc. - **1856** - SW Upright 2 x 4 x 48-5/16 " - Box 3 - 3641856



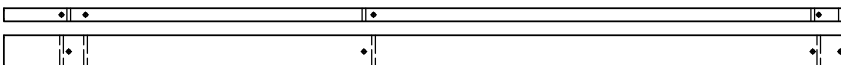
2 pc. - **1565** - MK Rail Short 2 x 4 x 50 " - Box 3 - 3641565



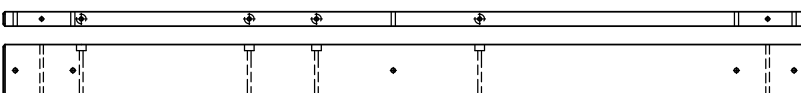
2 pc. - **1863** - SW Post 2 x 4 x 86-11/16 " - Box 3 - 3641863



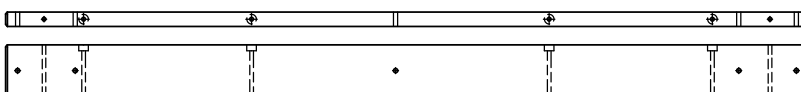
4 pc. - **2383** - Post 2 x 4 x 88 " - Box 4 - 3632383



1 pc. - **1825** - Back Beam 2 x 6 x 83-5/8 " - Box 2 - 3631825

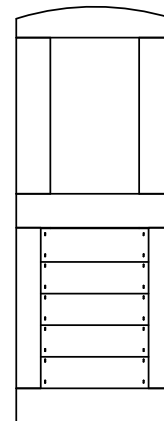


1 pc. - **1826** - Front Beam 2 x 6 x 83-5/8 " - Box 2 - 3631826



Nominal Size	Actual Size
5/4" x 4"	1" x 3 1/2"
5/4" x 5"	1" x 4 1/2"
5/4" x 6"	1" x 5 1/2"
1" x 6"	5/8" x 5 3/8"
1" x 5"	5/8" x 4 1/2"
1" x 4"	5/8" x 3 3/8"
2" x 2"	1 1/2" x 1 1/2"
2" x 3"	1 1/2" x 2 1/2"
2" x 4"	1 3/8" x 3 3/8"

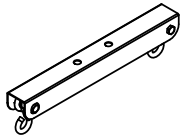
1 pc. - **8197** - Door Panel Green
1-3/16 x 16-3/8 x 43-5/16 "
- Box 2 - 3608197



Part Identification (Reduced Part Size)



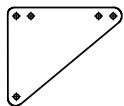
1X 3320124
Clock Assembly



1X 3200202
Glider Hanger (2pk)



1X 3320386 Rocks (5pk)
3-Green 2-Yellow



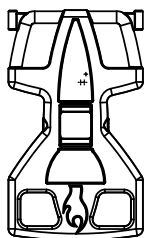
1X 3200184
Triangle Plate (4pk)
Green



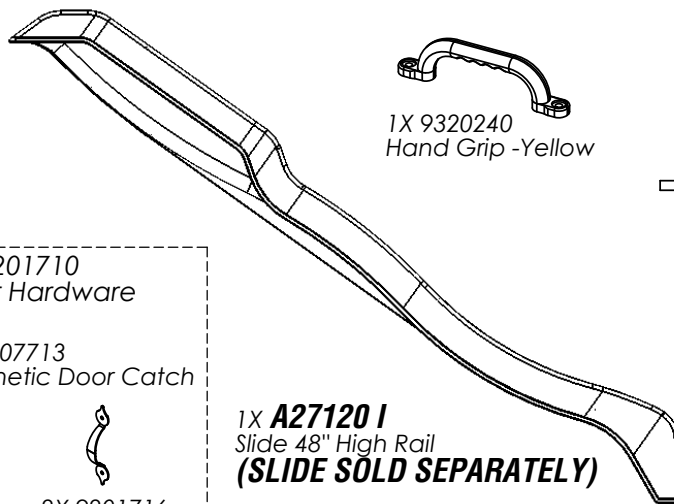
1X 3200164 (4pk)
Corner Brace Set



2X 9200141
MB Hanger Bracket
Green



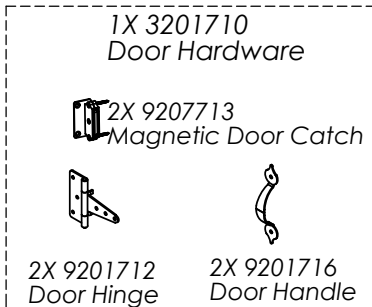
2X 3320177
Space Glider Handle
Green



1X **A27120 I**
Slide 48" High Rail
(SLIDE SOLD SEPARATELY)



1X 9320240
Hand Grip -Yellow



1X 3201710
Door Hardware

2X 9207713
Magnetic Door Catch



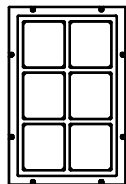
2X 9201712
Door Hinge



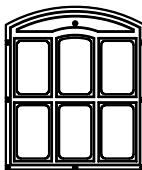
2X 9201716
Door Handle



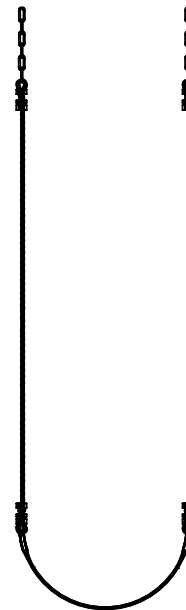
1X 3533860 (4pk)
39" Glider Rope & Chain
(welded chain)



1X 9320546
Small Window
White



4X 9320565
6 Pane Arch Top
Window



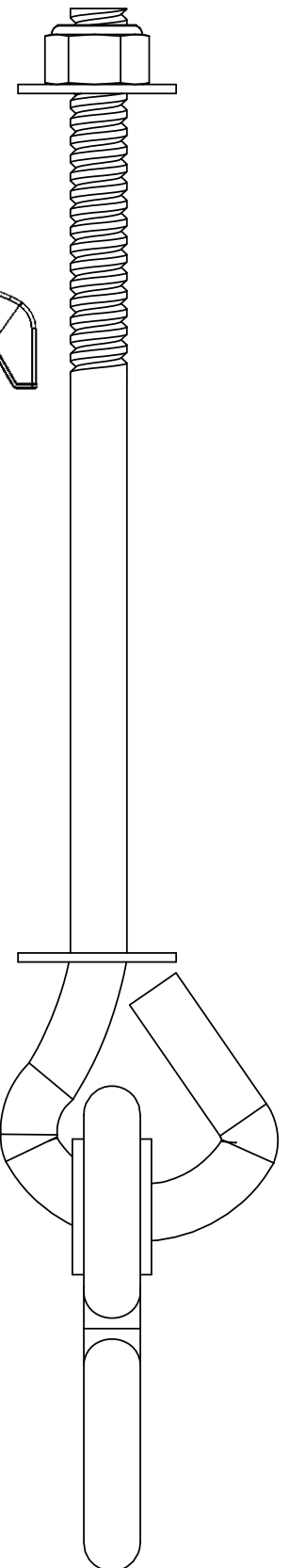
2X 3724943
42" Belt Swing Yellow
w.welded chain



2X 9200300
Monkey Bracket
Green



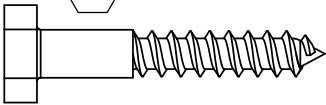
1X 3320268
Space Glider Body - Yellow



1X 3202000
Swing Hanger Bolt
Thru. (4 pk)

Hardware Identification (Actual Size)

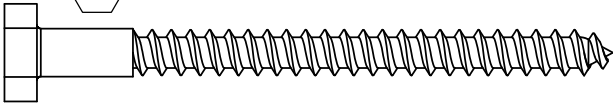
9pc. **LS1** - Lag Screw 1/4 x 1-1/2" - (9262212)



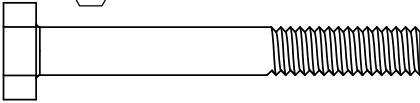
2pc. **LS2** - Lag Screw 1/4 x 2-1/2" - (9272222)



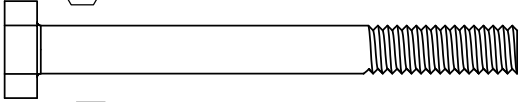
6pc. **LS3** - Lag Screw 1/4 x 3" - (9262230)



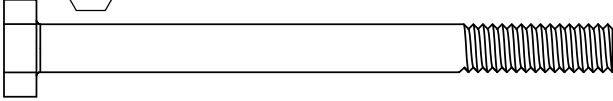
28pc. **H2** - Hex Bolt 1/4 x 2" - (9277220)



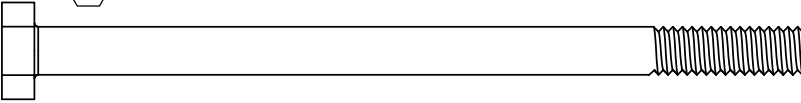
9pc. **H3** - Hex Bolt 1/4 x 2-1/2" - (9277222)



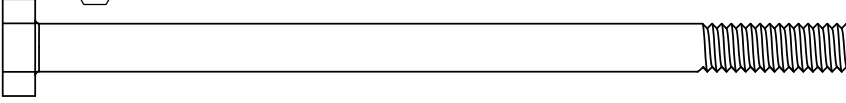
2pc. **H12** - Hex Bolt 1/4 x 3" - (9277230)



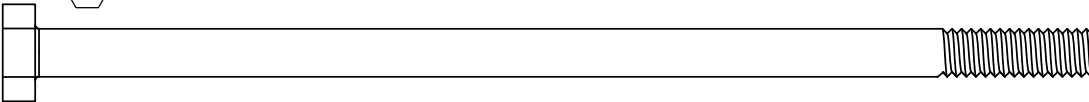
13pc. **H4** - Hex Bolt 1/4 x 4" - (9277240)



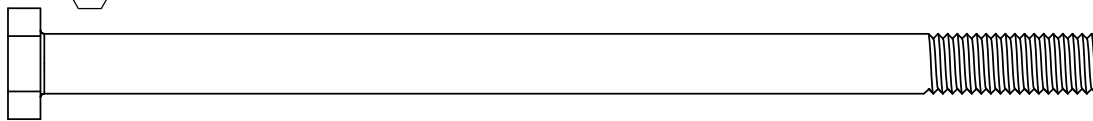
10pc. **H8** - Hex Bolt 1/4 x 4-1/4" - (9277241)



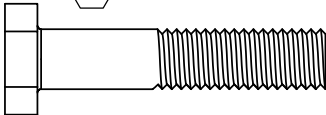
4pc. **H7** - Hex Bolt 1/4 x 5-1/2" - (9277252)



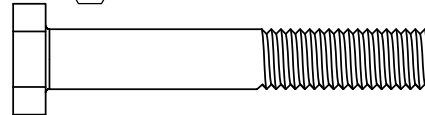
4pc. **G7** - Hex Bolt 5/16 x 5-1/2" - (9277352)



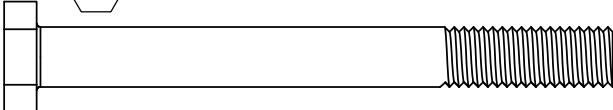
4pc. **G1** - Hex Bolt 5/16 x 1-1/2" - (9277312)



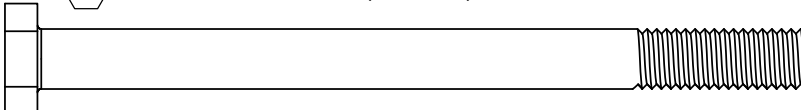
2pc. **G8** - Hex Bolt 5/16 x 2" - (9277320)



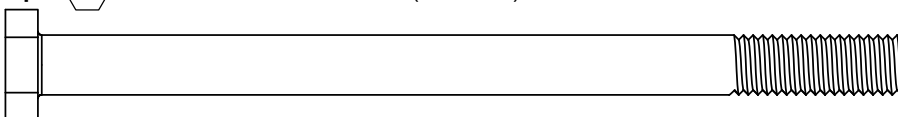
2pc. **G10** - Hex Bolt 5/16 x 3" - (9277330)



2pc. **G4** - Hex Bolt 5/16 x 4" - (9277340)

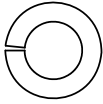


7pc. **G5** - Hex Bolt 5/16 x 4-1/2" - (9277342)

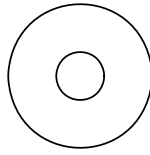


Hardware Identification (Actual Size)

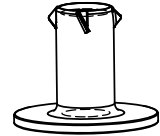
15pc. **LW2** - $\frac{5}{16}$ " Lock Washer - (9253300)



91pc. **FW1** - $\frac{1}{4}$ " Flat Washer - (9251200)



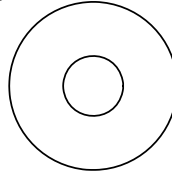
5pc. **BN1** - $\frac{1}{4}$ " Barrel Nut - (9248200)



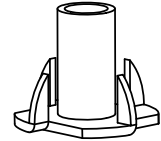
75pc. **LW1** - $\frac{1}{4}$ " Lock Washer - (9253200)



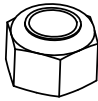
34pc. **FW2** - $\frac{5}{16}$ " Flat Washer - (9251300)



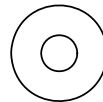
70pc. **TN1** - $\frac{1}{4}$ " T - Nut - (9285200)



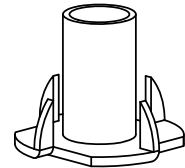
2pc. **LN1** - $\frac{1}{4}$ " Lock Nut - (9283200)



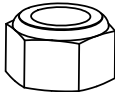
9pc. **FW0** - $\frac{3}{16}$ " Flat Washer - (9251100)



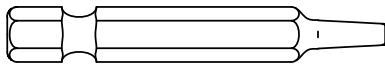
15pc. **TN2** - $\frac{5}{16}$ " T - Nut - (9285300)



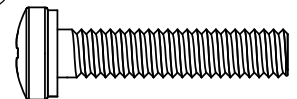
12pc. **LN2** - $\frac{5}{16}$ " Lock Nut - (9283300)



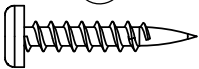
1pc. **D4** - #2 Robertson Driver Bit - (9200014)



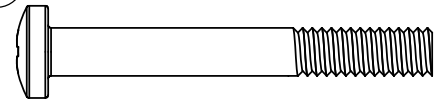
9pc. **PB2** - Pan Bolt $\frac{1}{4}$ x $1\frac{1}{4}$ " - (9274211)



4pc. **S18** - Pan Screw #6 x 1" - (9260910)



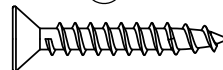
2pc. **PB5** - Pan Bolt $\frac{1}{4}$ x 2" - (9274220)



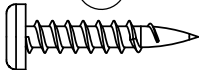
72pc. **S13** - Pan Screw #6 x $\frac{5}{8}$ " - (9264990)



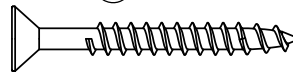
56pc. **S1** - Wood Screw #8 x $1\frac{1}{8}$ " - (52042514)



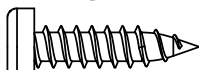
5pc. **S10** - Pan Screw #8 x 1" - (9264510)



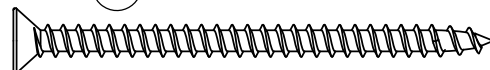
196pc. **S2** - Wood Screw #8 x $1\frac{1}{2}$ " - (52042512)



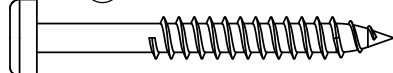
9pc. **S6** - Pan Screw #12 x 1" - (9264610)



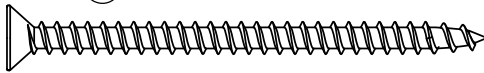
7pc. **S15** - Wood Screw #8 x $1\frac{3}{4}$ " - (52042513)



23pc. **S7** - Pan Screw #12 x 2" - (9264620)



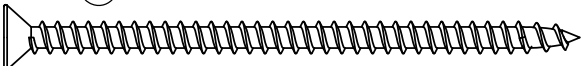
28pc. **S3** - Wood Screw #8 x $2\frac{1}{2}$ " - (52042522)



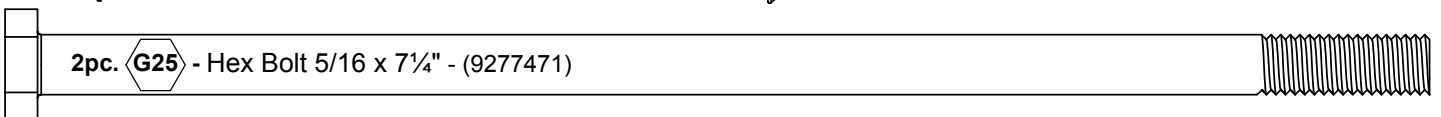
160pc. **S0** - Truss Screw #8 x $\frac{7}{8}$ " - (52933505)



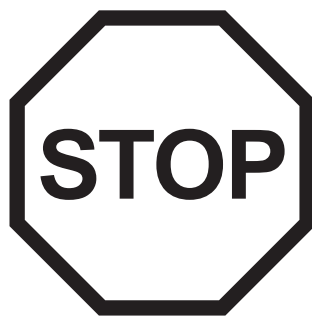
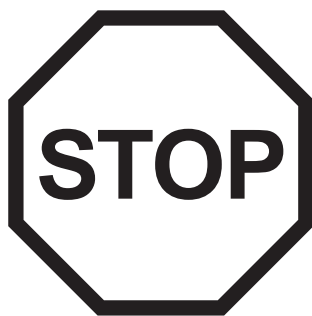
19pc. **S4** - Wood Screw #8 x 3" - (52042530)



2pc. **G25** - Hex Bolt $\frac{5}{16}$ x $7\frac{1}{4}$ " - (9277471)



Step 1: Inventory Parts - Read This Before Starting Assembly



- A.** This is the time for you to inventory all your hardware, wood and accessories, referencing the parts identification sheets. This will assist you with your assembly.
- The wood pieces will have the four digit key number stamped on the ends of the boards. The wood pieces are referenced throughout the instructions with this number.
 - Please refer to Page 6 for proper hardware assembly.
 - Each step indicates which bolts and/or screws you will need for assembly, as well as any flat washers, lock washers, t-nuts or lock nuts.
- B.** If there are any missing or damaged pieces or you need assistance with assembly please contact the Consumer Relations Department directly. Call us before going back to the store.

support@cedarsummitplay.com

- C.** Read the assembly manual completely, paying special attention to ANSI warnings; notes; and safety/maintenance information on pages 1 - 6.
- D.** Before you discard your cartons fill out the form below.
- The carton I.D. stamp is located on the end of each carton.
 - Please retain this information for future reference. You will need this information if you contact the Consumer Relations Department.

MODEL NUMBER: F23875AUSI

CARTON I.D. STAMP: __ __ __ __ 14459 __ (Box 1)

CARTON I.D. STAMP: __ __ __ __ 14459 __ (Box 4)

CARTON I.D. STAMP: __ __ __ __ 14459 __ (Box 2)

CARTON I.D. STAMP: __ __ __ __ 14459 __ (Box 5)

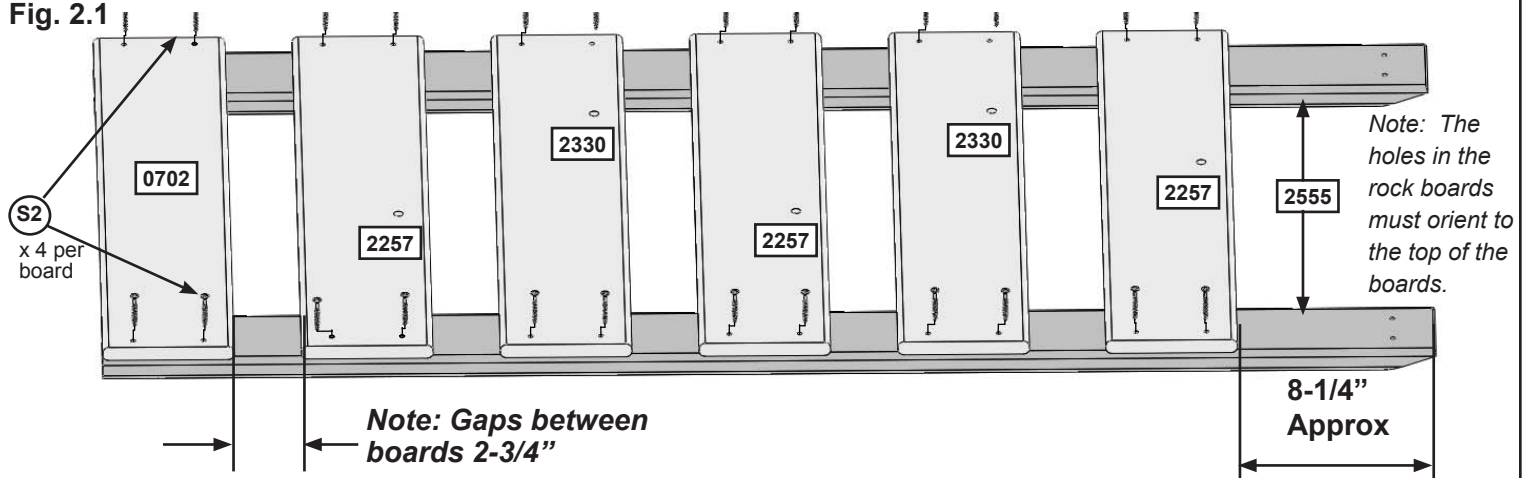
CARTON I.D. STAMP: __ __ __ __ 14459 __ (Box 3)

CARTON I.D. STAMP: __ __ __ __ 14459 __ (Box 6)

Step 2: Rock Wall Assembly



Fig. 2.1



A: Lay 2 (2555) Rock Rails down, side by side with angled edges facing down. (fig. 2.1)

B: Place (0702) CE Wall Board on the bottom of each (2555) Rock Rail as shown in fig. 2.1. Make sure (0702) CE Wall Board is flush to the outside and bottom edges of each (2555) Rock Rail. Attach using 4 (S2) #8 x 1-1/2" Wood Screws.

C: 8-1/4" down from the top of both (2555) Rock Rails place 1 (2257) Rock Board B, making sure the sides are flush to the outside edges of each (2555) Rock Rail. Attach using 4 (S2) #8 x 1-1/2" Wood Screws. (fig. 2.1)

D: In between the (0702) CE Wall Board and (2257) Rock Board B stagger 2 more (2257) Rock Board B's and 2 (2330) Rock Boards A's using 4 (S2) #8 x 1-1/2" Wood Screws per board. Placing them as shown in fig. 2.1, this will prevent rocks from forming a straight line. Make sure the boards are evenly spaced and do not exceed 2-3/4" between boards.

Fig. 2.2

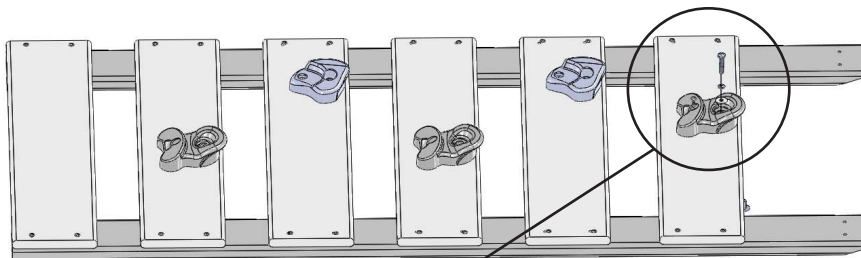
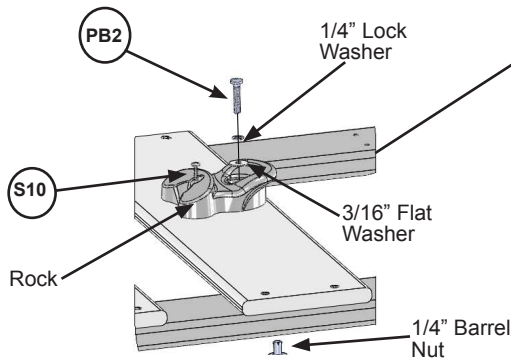


Fig. 2.3



E: Place 1 rock on each rock board (fig. 2.2) and attach using 1 (PB2) 1/4 x 1-1/4" Pan Bolt (with lock washer, flat washer and barrel nut) and 1 (S10) #8 x 1" Pan Screw per rock. The Screw must be in the hole directly under the Pan Bolt, it will stop the rock from spinning. (fig. 2.3)

Wood Parts

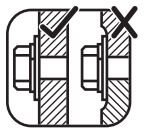
- 1 x 0702 CE Wall Board 1 x 6 x 23-1/2"
- 3 x 2257 Rock Board B 1 x 6 x 23-1/2"
- 2 x 2330 Rock Board A 1 x 6 x 23-1/2"
- 2 x 2555 Rock Rail 5/4 x 4 x 54-1/2"

Hardware

- 24 x S2 #8 x 1-1/2" Wood Screw
- 5 x S10 #8 x 1" Pan Screw
- 5 x PB2 1/4 x 1-1/4 Pan Bolt (1/4" lock washer, 3/16" flat washer & 1/4" barrel nut)

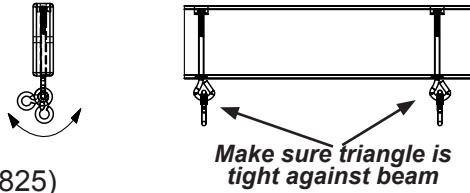
Other Parts

- 5 x Rocks (3 green/2 yellow)



Step 3: Swing Beam Assembly

Fig. 3.4



WARNING: For your child's safety, orientate the swing hangers as shown to ensure your swing will have proper swing motion when installed. Failure to do so could result in premature failure of the swing hanger or swing chain.

A: In the middle holes of (1825) Back Beam install 2 Bolt-Thru Swing Hangers (fig. 3.1) making sure the swing hangers are oriented in the direction shown in fig. 3.4 to maintain proper swing motion.

B: In the end holes of (1826) Front Beam install 2 Bolt-Thru Swing Hangers (fig. 3.1) making sure the swing hangers are oriented in the direction shown in fig. 3.4 to maintain proper swing motion.

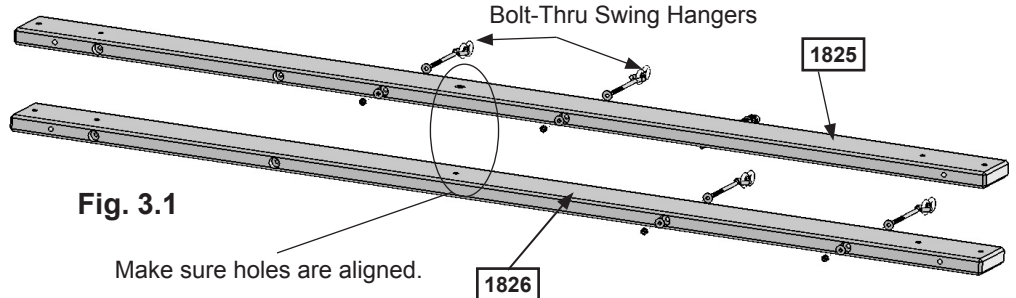
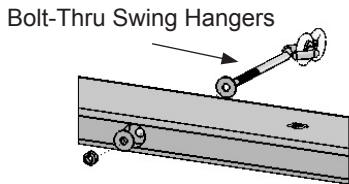
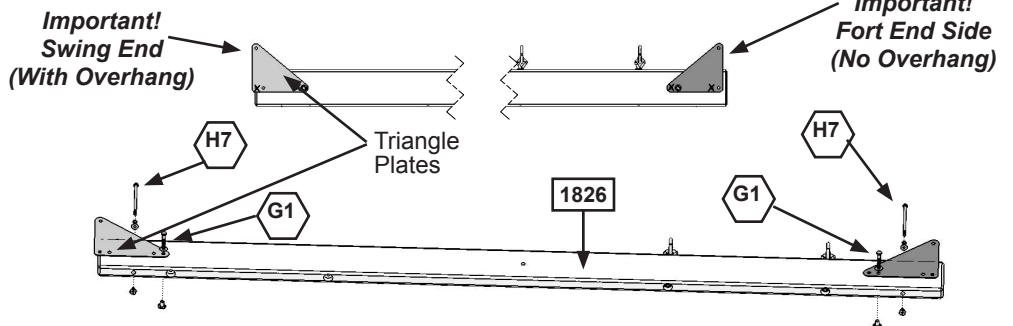


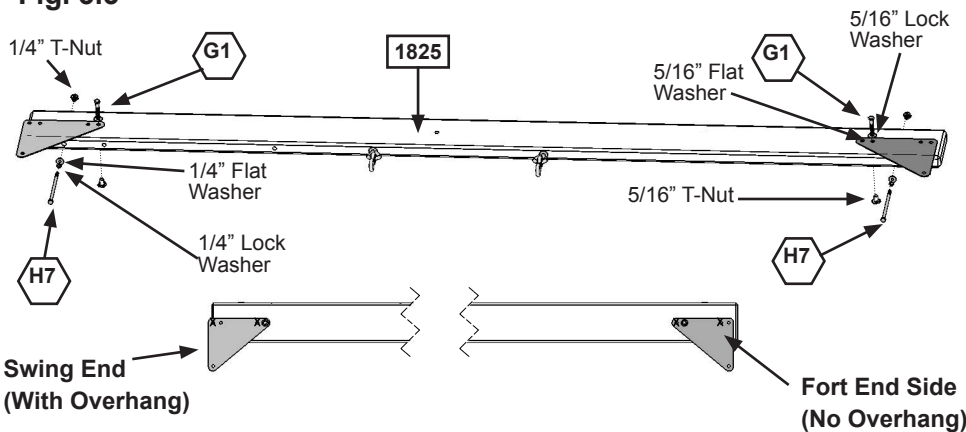
Fig. 3.2



C: Attach 1 Triangle Plate to the ends of each (1826) Front Beam and (1825) Back Beam using 1 (G1) 5/16 x 1-1/2" Hex Bolt (with lock washer, flat washer and t-nut) per triangle plate in the hole indicated in fig. 3.2 and 3.3. **Correct hole usage is very important.**

D: Attach 1 (H7) 1/4 x 5-1/2" Hex Bolt (with lock washer, flat washer and t-nut) to the ends of each (1826) Front Beam and (1825) Back Beam. The bolts do not attach to anything, but **MUST** be installed to the beams to prevent splitting and checking of wood. (fig. 3.2 and 3.3)

Fig. 3.3



- Wood Parts**
- 1 x 1826 Front Beam 2 x 6 x 83-5/8"
 - 1 x 1825 Back Beam 2 x 6 x 83-5/8"

- Hardware**
- 4 x H7 1/4 x 5-1/2" Hex Bolt (1/4" lock washer, 1/4" flat washer, 1/4" t-nut)
 - 4 x G1 5/16 x 1-1/2" Hex Bolt (5/16" lock washer, 5/16" flat washer, 5/16" t-nut)

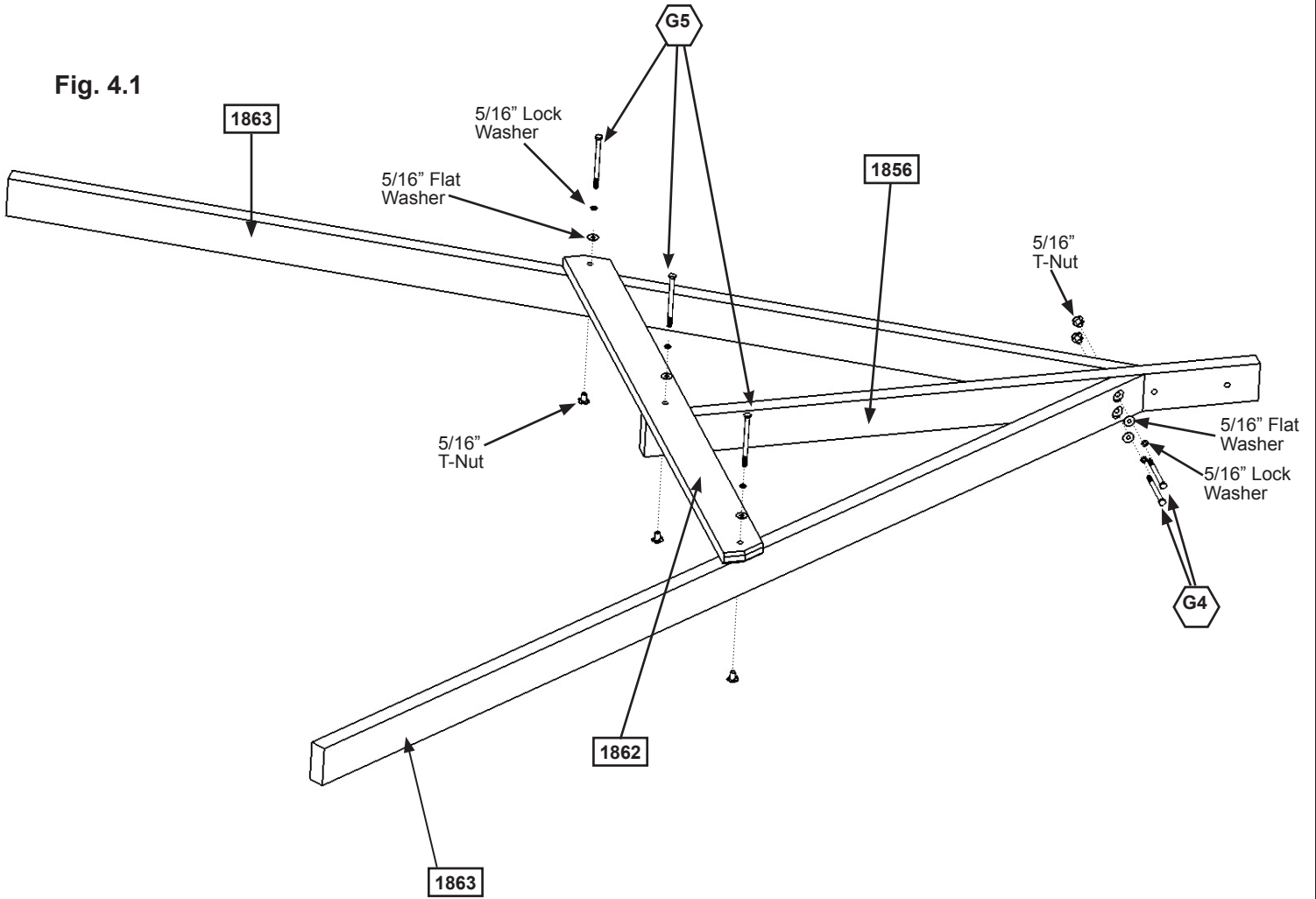
- Other Parts**
- 1 x Bolt-Thru Swing Hanger (pkg of 4)
 - 1 x Triangle Plate (pkg of 4)



Step 4: Swing End Assembly

A: Attach 2 (1863) SW Posts to (1856) SW Upright using 2 (G4) 5/16 x 4" Hex Bolts (with lock washer, flat washer and t-nut). (fig. 4.1)

Fig. 4.1



B: Attach (1862) SW Support to both (1863) SW Posts and (1856) SW Upright using 3 (G5) 5/16 x 4-1/2" Hex Bolts (with lock washer, flat washer and t-nut). (fig. 4.1)

Wood Parts

- 2 x 1863 SW Post 2 x 4 x 86-11/16"
- 1 x 1862 SW Support 5/4 x 4 x 46-1/2"
- 1 x 1856 SW Upright 2 x 4 x 48-5/16"

Hardware

- 2 x G4 5/16 x 4" Hex Bolt (5/16" lock washer, 5/16" flat washer, 5/16" t-nut)
- 3 x G5 5/16 x 4-1/2" Hex Bolt (5/16" lock washer, 5/16" flat washer, 5/16" t-nut)

Step 5: Attach Swing End to Swing Beam



A: Place (4919) SW Rail Block in the centre between (1826) Front Beam and (1825) Back Beam and attach with 1 (H8) 1/4 x 4-1/4" Hex Bolt (with lock washer, flat washer and t-nut). (fig. 5.1 and 5.2)

Fig. 5.1

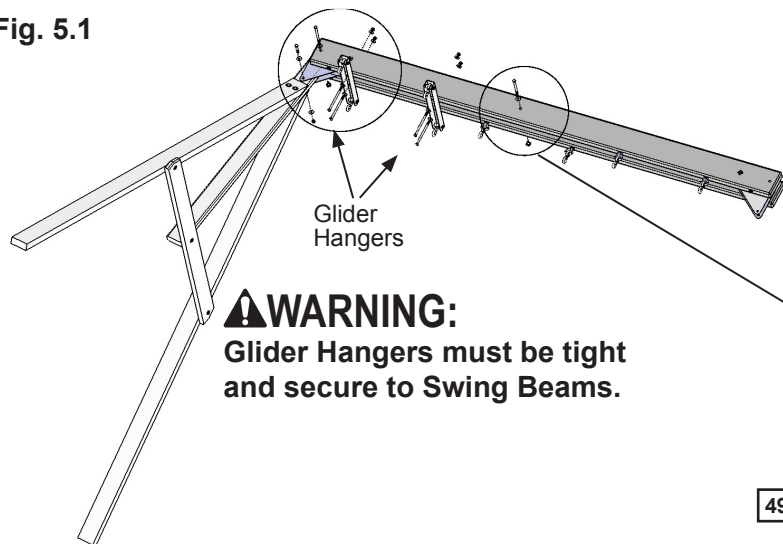
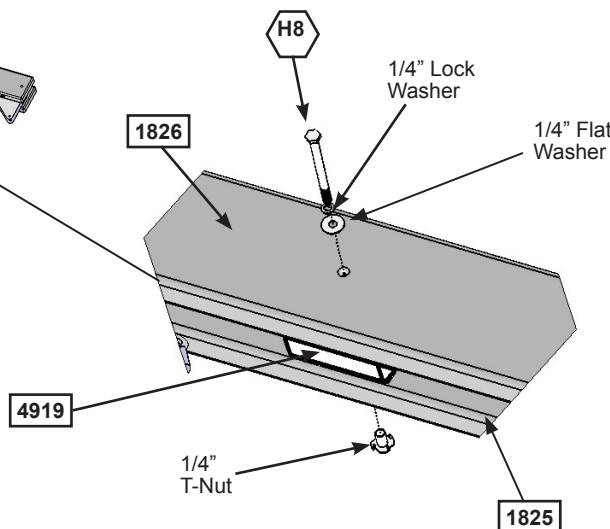


Fig. 5.2



B: Attach Swing End Assembly to the side of the Swing Beam Assembly with the overhang (fig. 5.3 and 5.4) using 1 (G5) 5/16 x 4-1/2" Hex Bolt (with lock washer, flat washer and t-nut) in the top hole of Triangle Plate and 1 (G8) 5/16 x 2" Hex Bolt (with 2 flat washers and lock nut) in the bottom hole of Triangle Plate. (fig. 5.3) Make sure Swing End Assembly flares out at an angle. (fig. 5.4)

C: Attach 2 Glider Hangers to the Swing Beam Assembly using 2 (G7) 5/16 x 5-1/2" Hex Bolts (with 2 flat washers and lock nut) per Glider Hanger. (fig. 5.1 and 5.3)

Fig. 5.4

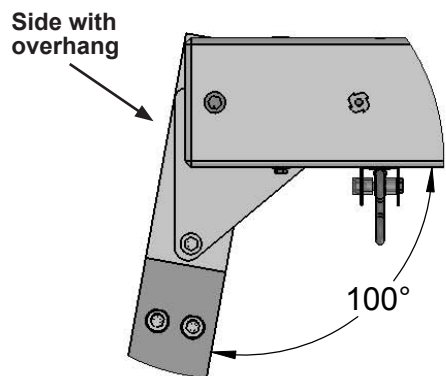
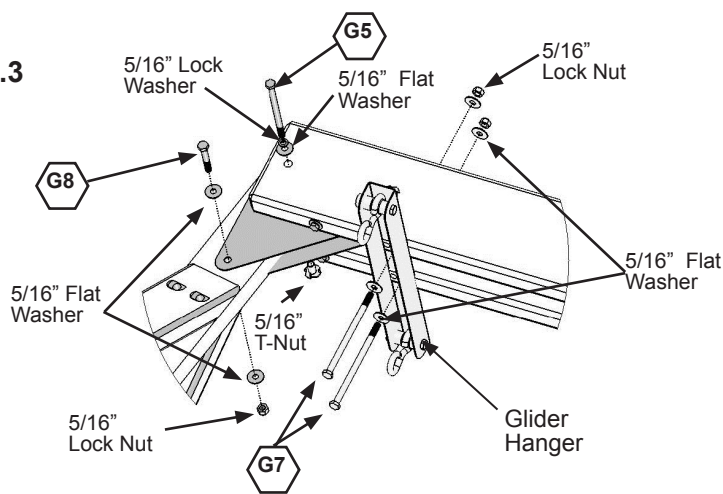


Fig. 5.3



Wood Parts

1 x 4919 SW Rail Block 2 x 4 x 5-3/8"

Hardware

- 1 x H8 1/4 x 4-1/4" Hex Bolt (1/4" lock washer, 1/4" flat washer, 1/4" t-nut)
- 1 x G5 5/16 x 4-1/2" Hex Bolt (5/16" lock washer, 5/16" flat washer, 5/16" t-nut)
- 4 x G7 5/16 x 5-1/2" Hex Bolt (5/16" flat washer x2, 5/16" lock nut)
- 1 x G8 5/16 x 2" Hex Bolt (5/16" flat washer x2, 5/16" lock nut)

Other Parts

2 x Glider Hanger

Step 6: Door Assembly Part 1



A: On the inside of (8197) Door Panel, measure 19" up from the bottom then attach Catch Plate flush to the edge using 2 (S18) #6 x 1" Wood Screws. (fig. 6.1 and 6.2)

B: On the inside of (8197) Door Panel beside the Catch Plate attach 1 Door Handle using 2 (S13) #6 x 5/8" Pan Screws. (fig. 6.1 and 6.2)

Fig. 6.1
Inside View

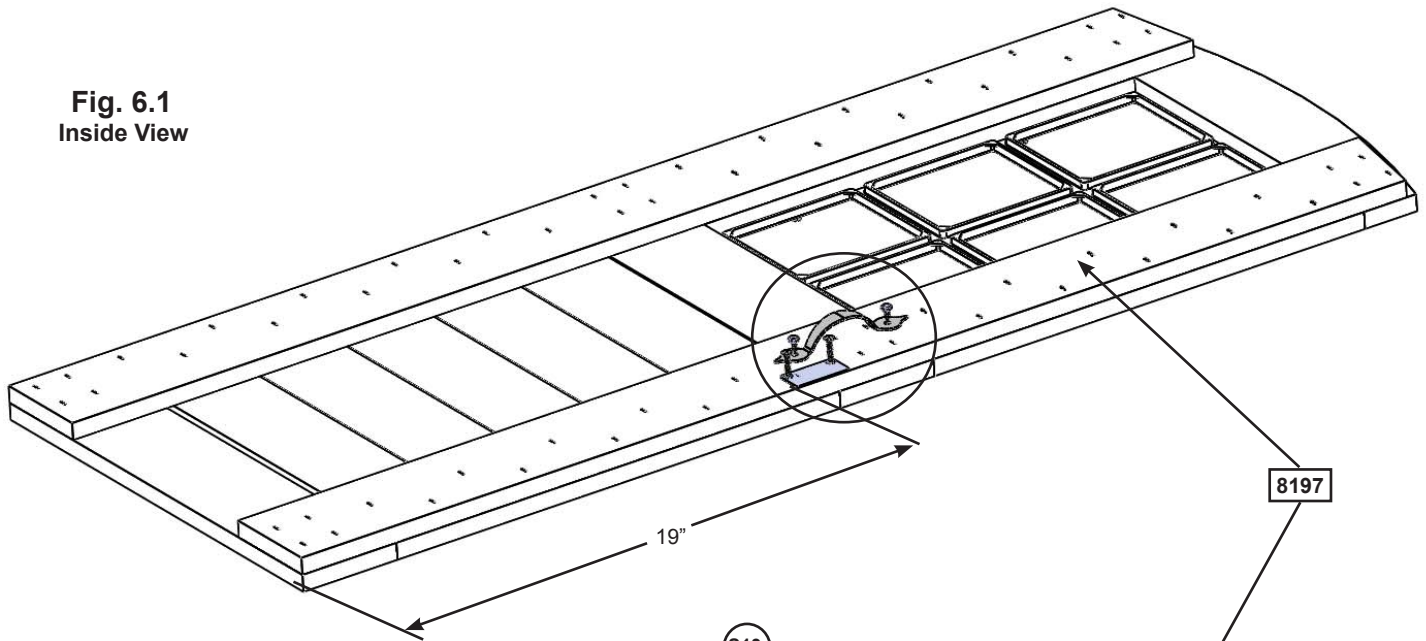
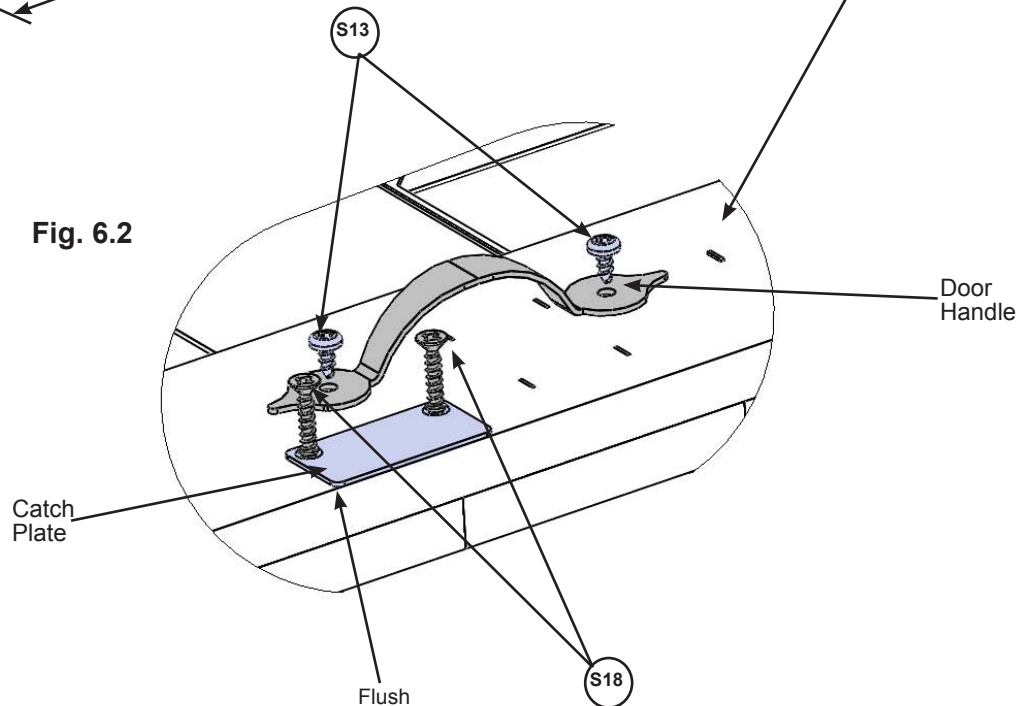


Fig. 6.2



Wood Parts

1 x 8197 Door Panel 1-3/16 x 16-3/8 x 43-5/16"

Hardware

2 x S13 #6 x 5/8" Pan Screw
2 x S18 #6 x 1" Wood Screw

Other Parts

1 x Door Handle
1 x Catch Plate

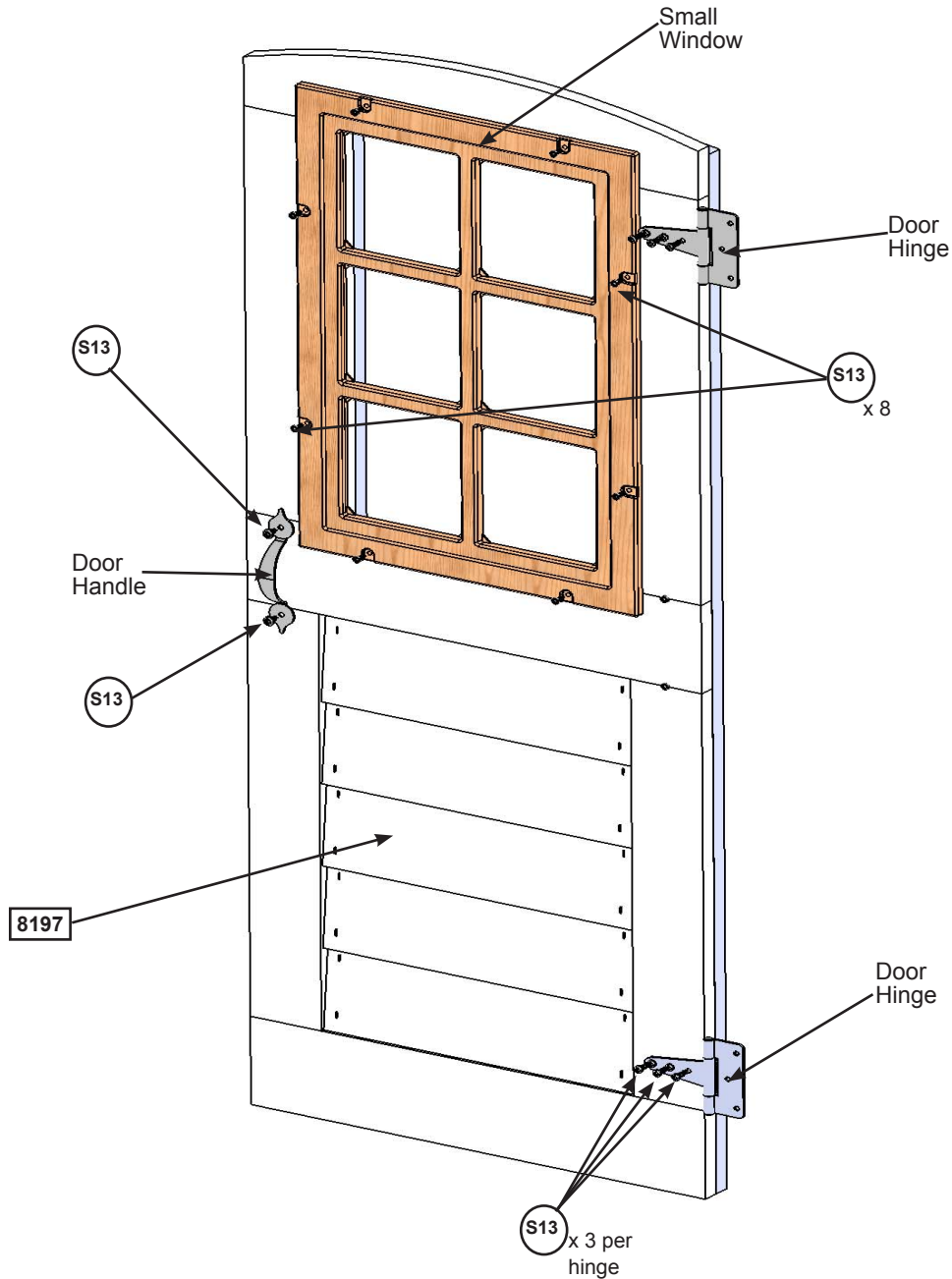
Step 6: Door Assembly Part 2

C: On the outside of the (8197) Door Panel attach the second Door Handle at approximately the same place as the one on the inside. Use 2 (S13) #6 x 5/8" Pan Screws. (fig. 6.3)

D: In the window opening of (8197) Door Panel insert 1 Small Window from the outside and attach with 8 (S13) #6 x 5/8" Pan Screws. (fig. 6.3)

E: Attach 2 Door Hinges on the outside of the (8197) Door Panel on the opposite side from the Door Handle. Judge spacing based on fig. 6.3. Use 3 (S13) #6 x 5/8" Pan Screws per Hinge. (fig. 6.3)

Fig. 6.3
Outside View



Hardware

16 x (S13) #6 x 5/8" Pan Screw

Other Parts

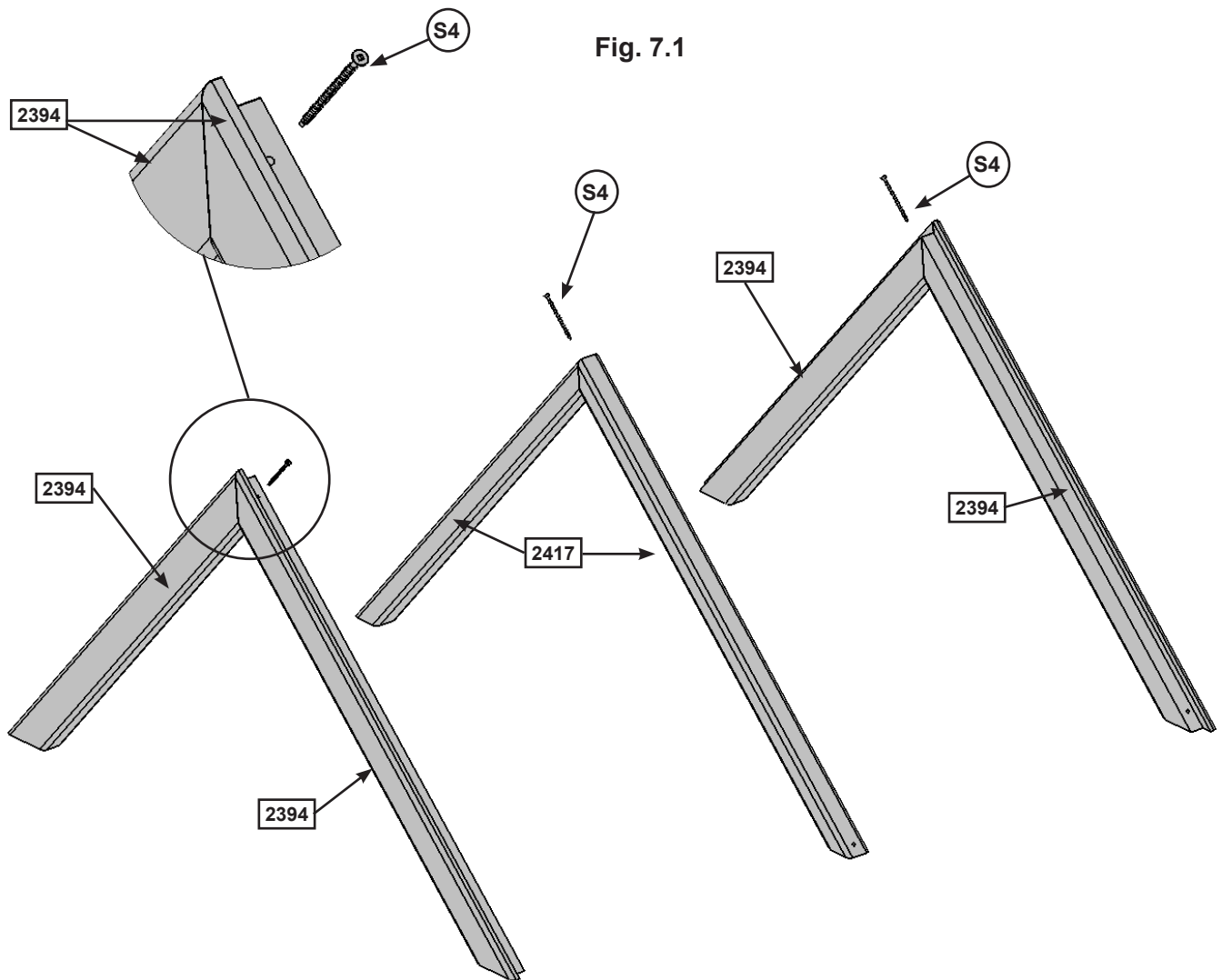
1 x Door Handle
1 x Small Window
2 x Door Hinge

Step 7: Roof Assembly

Part 1

A: Attach 1 (2394) Roof Support to another at the peak using 1 (S4) #8 x 3" Wood Screw. Do this twice so you have 2 Roof Support Assemblies. (fig. 7.1)

B: Attach 1 (2417) Joist to another at the peak using 1 (S4) #8 x 3" Wood Screw. (fig. 7.1)



Wood Parts

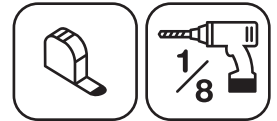
- 4 x 2394 Roof Support 2 x 3 x 34-1/4"
- 2 x 2417 Joist 2 x 2 x 33-1/2"

Hardware

- 3 x S4 #8 x 3" Wood Screw

Step 7: Roof Assembly

Part 2



C: Starting at the top of the Roof Support Assembly attach 1 (2421) Cedar Roofing on each side of the Roof Support Assemblies with 3 (S0) #8 x 7/8" Truss Screws per board. (fig. 7.2) Be sure to overlap the top of the boards so there are no gaps. (fig. 7.2 and 7.3)

D: Drill a hole 1-1/2" up from the bottom of the 2 bottom (2421) Cedar Roofing (for bottom row only). Attach 1 (2421) Cedar Roofing at the bottom of the Roof Support Assembly on each side, making sure they are flush to each (2394) Roof Support with 3 (S0) #8 x 7/8" Truss Screws per board. (fig. 7.2 and 7.4)

E: On one side of the assembly evenly space and attach 8 (2421) Cedar Roofing, leaving no gaps, with 3 (S0) #8 x 7/8" Truss Screws per board. There should be 10 (2421) Cedar Roofing on this side. (fig. 7.2)

F: On the other side of the assembly evenly space and attach 8 (2421) Cedar Roofing, leaving no gaps, with 3 (S0) #8 x 7/8" Truss Screws per board. (fig. 7.2)

Fig. 7.2

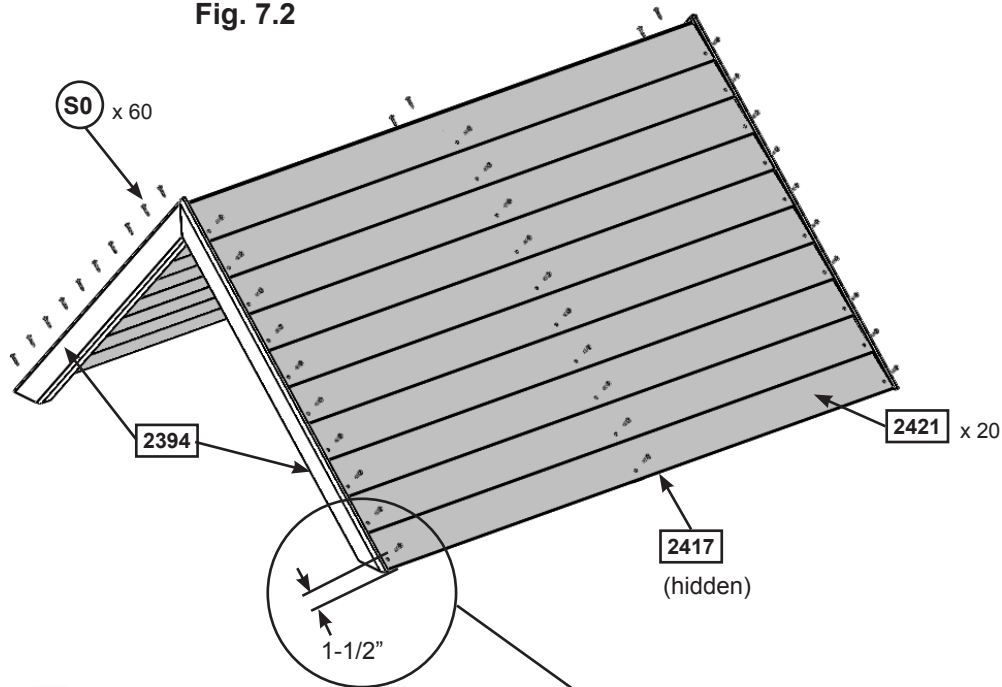
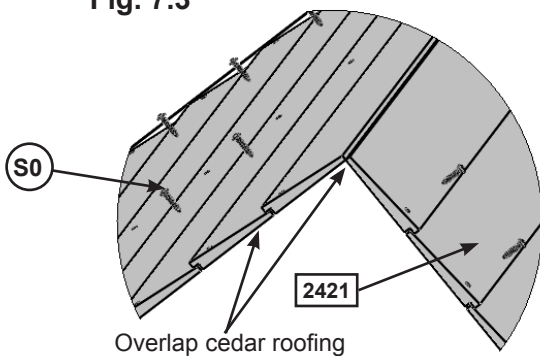
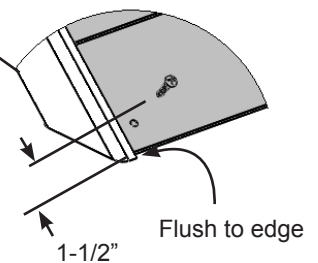


Fig. 7.3



*Roof Supports
removed for clarity*

Fig. 7.4



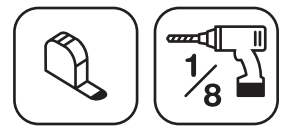
Wood Parts

20 x [2421] Cedar Roofing 3/8 x 3-1/2 x 49-1/2"

Hardware

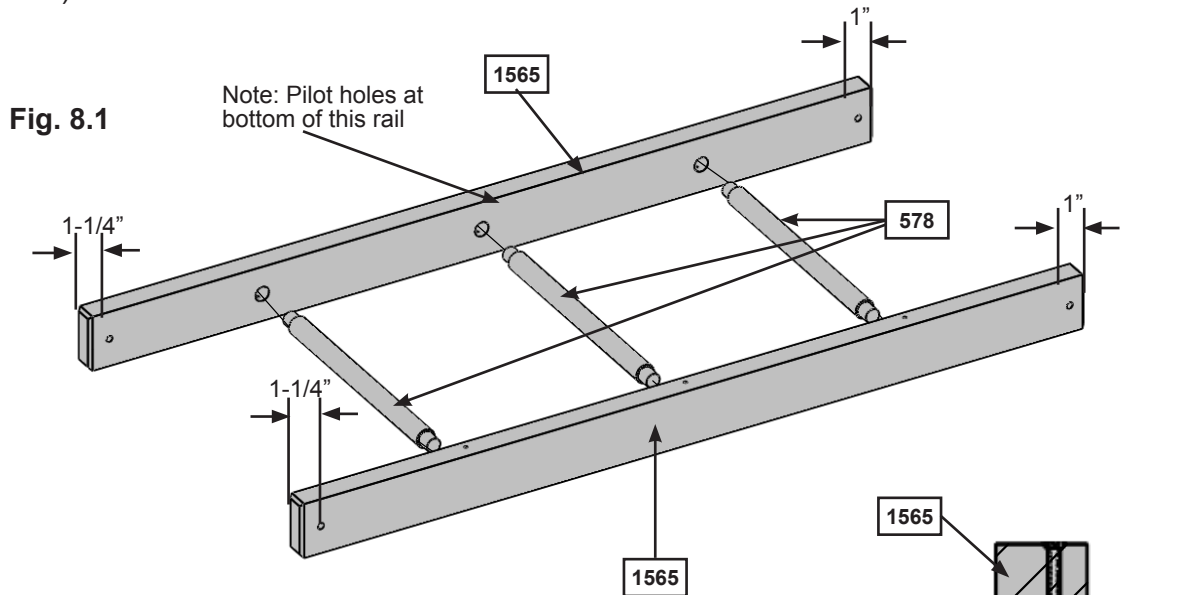
60 x (S0) #8 x 7/8" Truss Screw

Step 8: Monkey Rail Assembly



Pre-drill all pilot holes using a 1/8" drill bit before installing Wood Screws.

A: Insert 3 (578) 1-1/8 x 15-7/8" Dowels into both (1565) MK Rail Shorts as shown in fig. 8.1. Note the pilot holes in one of the (1565) MK Rail Short are on the bottom of the board.



B: Make sure shoulder of dowel is against each rail before pre-drilling pilot holes. Drill 1/8" pilot holes through the rails and into the dowels to prevent splitting. (fig. 8.2)

Fig. 8.2

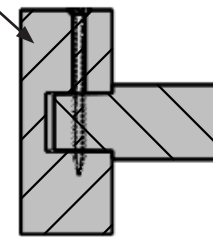
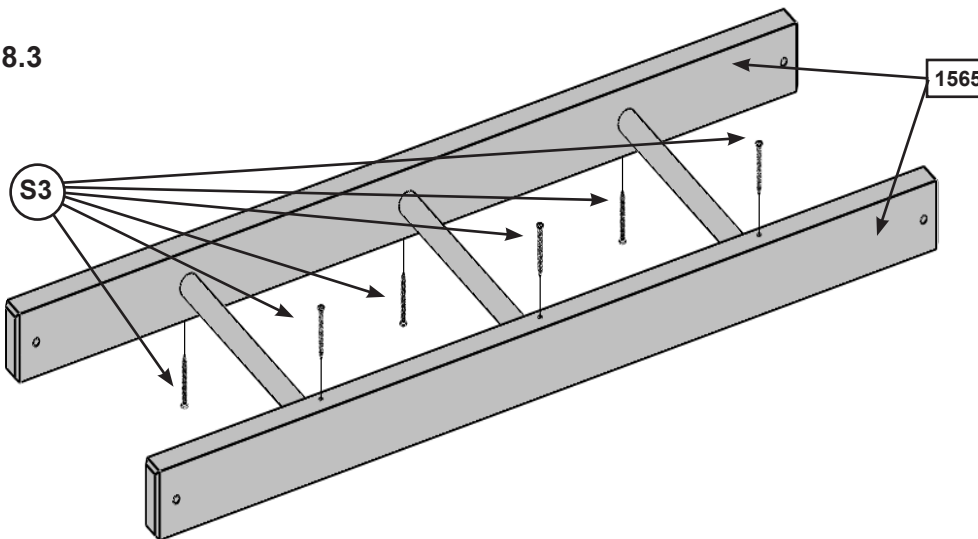


Fig. 8.3



C: Attach (578) 1-1/8 x 15-7/8" Dowels to both rails with 2 (S3) #8 x 2-1/2" Wood Screws per dowel. (fig. 8.3)

Wood Parts

- 3 x 578 Tennon Dowel 1-1/8 x 15-7/8"
- 2 x 1565 MK Rail Short 2 x 4 x 50"

Hardware

- 6 x S3 #8 x 2-1/2" Wood Screw

Step 9: Monkey Ladder Assembly



Note: Pre-drill all holes using a 1/8" drill bit before installing the Lag Screws and Wood Screws.

A: Insert 2 (858) 1-1/8 x 18-5/8" Dowels into 2 (2382) MK Posts as shown in fig. 9.1.

Fig. 9.1

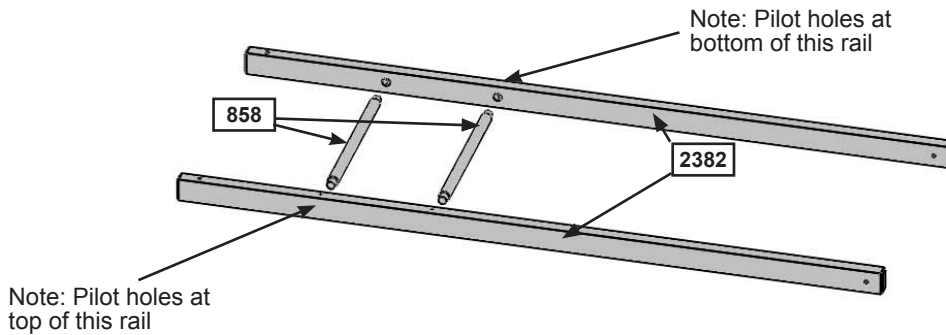
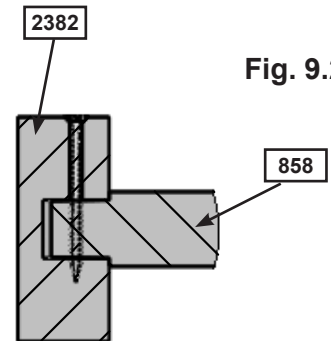


Fig. 9.2



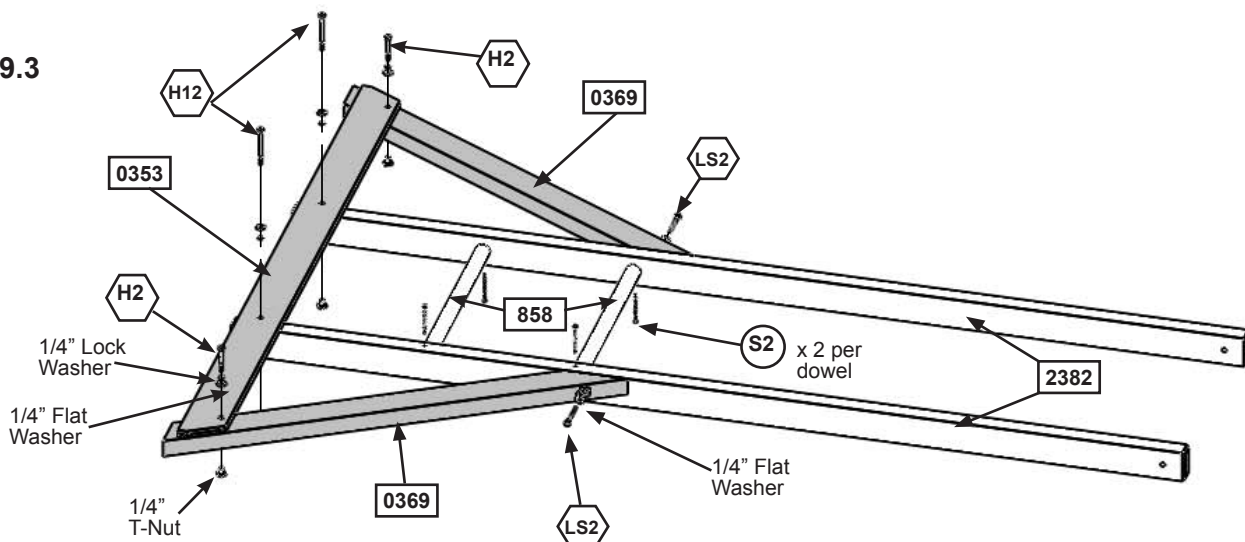
B: Make sure shoulder of dowel is against each post before pre-drilling pilot holes. Drill 1/8" pilot holes through the posts and into the dowel to prevent splitting. (fig. 9.2 and 9.3)

C: Attach (858) 1-1/8 x 18-5/8" Dowel to both posts with 2 (S2) #8 x 1-1/2" Wood Screws. Two screws are installed from top of the rails and the others from the bottom as shown in fig. 9.3.

D: At bottom of (2382) MK Posts attach (0353) MK Ground with 2 (H12) 1/4 x 3" Hex Bolts (with lock washer, flat washer and t-nut). **Be sure to keep the bolts loose.** (fig. 9.3)

E: Make sure the assembly is square and then attach 1 (0369) Lower Diagonal to each end of (0353) MK Ground with 1 (H2) 1/4 x 2" Hex Bolt (with lock washer, flat washer and t-nut), keeping the bolts loose, and to each (2382) MK Post with 1 (LS2) 1/4 x 2-1/2" Lag Screw (with flat washer). Once lag screws are installed tighten all bolts from Steps D & E. (fig. 9.3)

Fig. 9.3



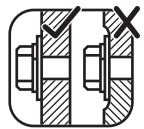
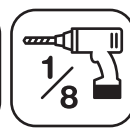
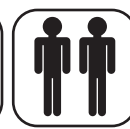
Wood Parts

- 2 x 0369 Lower Diagonal 2 x 3 x 37"
- 1 x 0353 MK Ground 1 x 4 x 55-1/4"
- 2 x 2382 MK Post 2 x 3 x 77-1/2"
- 2 x 858 Tennon Dowel 1-1/8 x 18-5/8"

Hardware

- 2 x H12 1/4 x 3" Hex Bolt (1/4" lock washer, 1/4" flat washer, 1/4" t-nut)
- 2 x H2 1/4 x 2" Hex Bolt (1/4" lock washer, 1/4" flat washer, 1/4" t-nut)
- 2 x LS2 1/4 x 2-1/2" Lag Screw (1/4" flat washer)
- 4 x S2 #8 x 1-1/2" Wood Screw

Step 10: Connect Monkey Bar Assemblies



Note: Pre-drill all holes using a 1/8" drill bit before installing the Pan Screws.

A: Using a Monkey Bracket connect both (1565) MK Rail Shorts to each (2382) MK Post with 1 (G10) 5/16 x 3" Hex Bolt (with lock washer, flat washer and t-nut) and Monkey Bracket to the rails using 2 (S6) #12 x 1" Pan Screws per rail as shown in fig. 10.1 and 10.2. Be sure to attach the correct end, using the 1-1/4" measurement shown in fig. 10.2 as your guide.

B: Attach Monkey Bracket to both (2382) MK Posts with 2 (S6) #12 x 1" Pan Screws per bracket. (fig. 10.2)

Fig. 10.1

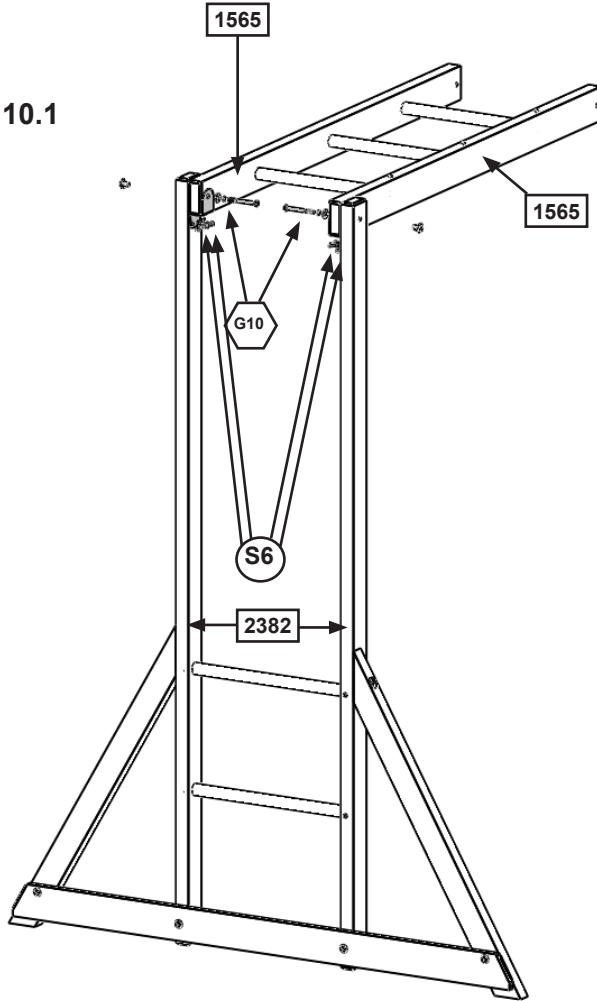
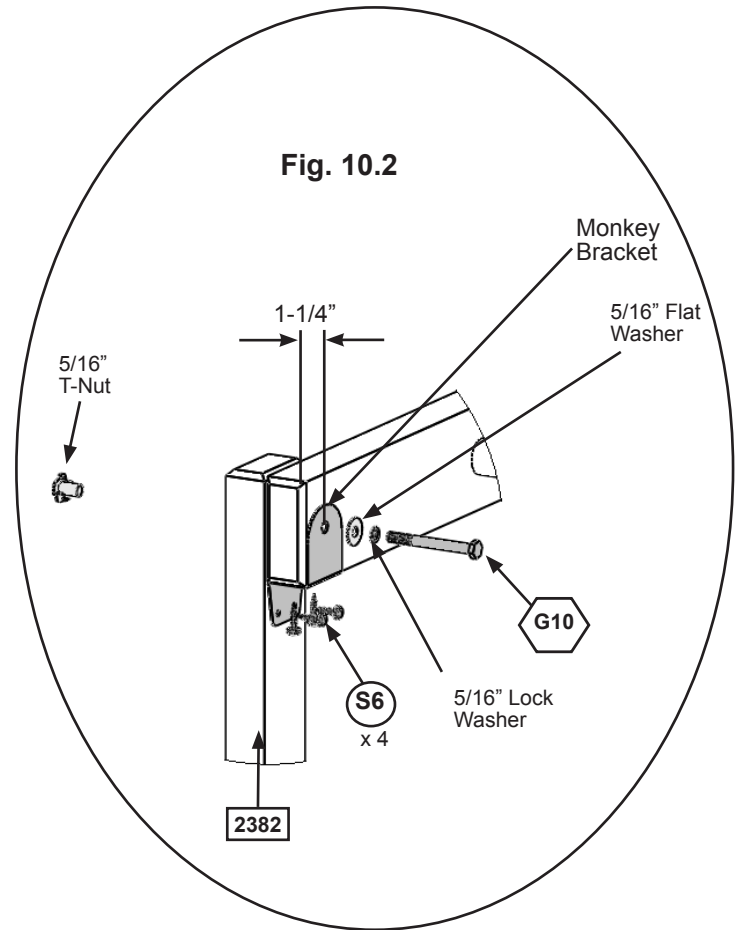


Fig. 10.2



Hardware

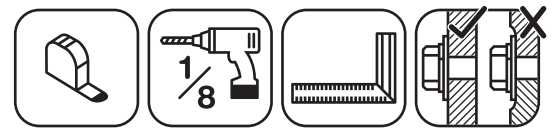
2 x 5/16 x 3" Hex Bolt
(5/16" lock washer, 5/16" flat washer, 5/16" t-nut)

8 x #12 x 1" Pan Screw

Other Parts

2 x Monkey Bracket

Step 11: Access Wall Assembly



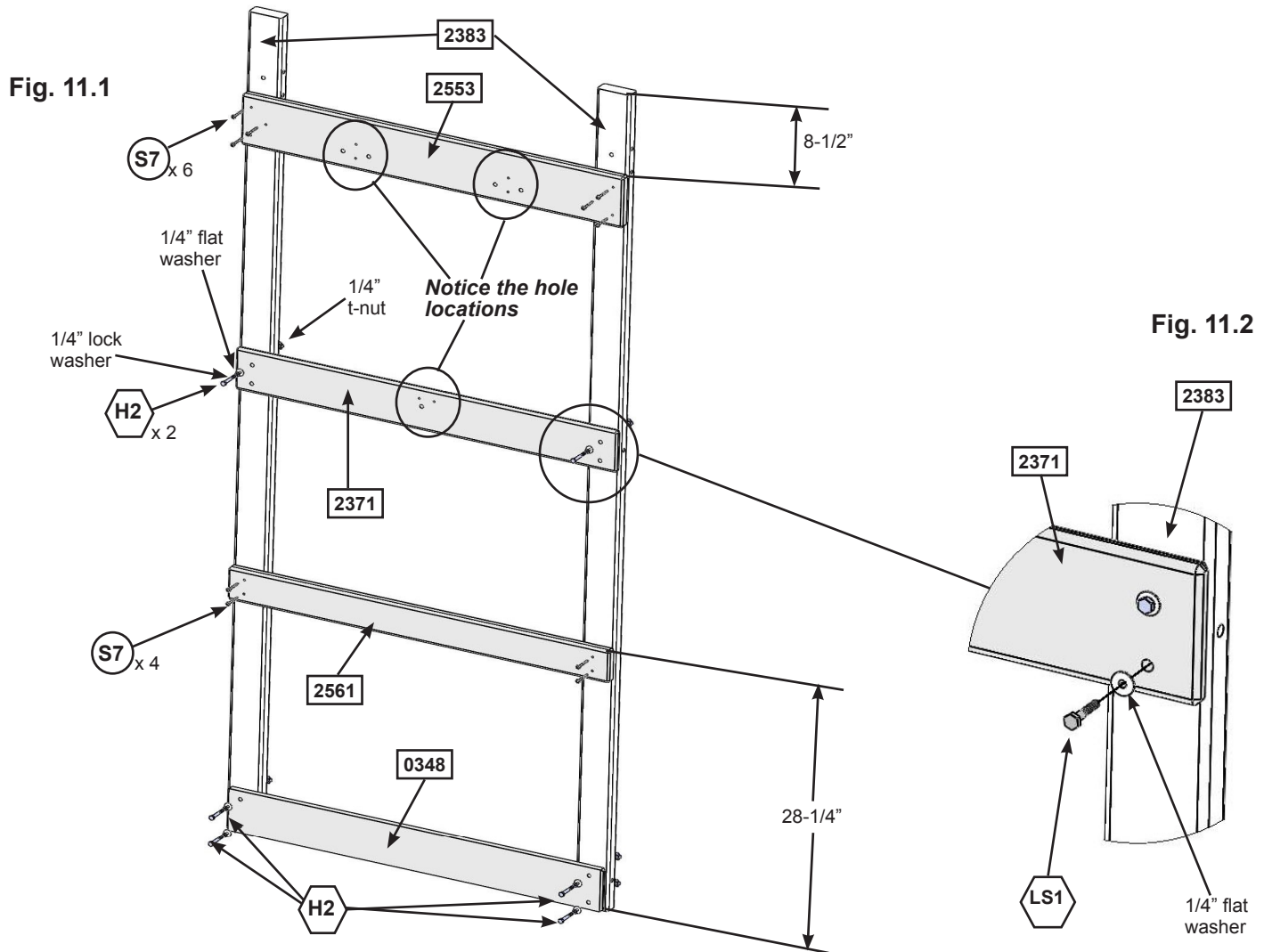
Note: Pre-drill all holes using a 1/8" drill bit before installing the Lag Screws.

A: On the ground lay flat 2 (2383) Posts then loosely attach (0348) SL Ground with 4 (H2) 1/4 x 2" Hex Bolts (with lock washer, flat washer and t-nut); and (2371) Floor End (in the top holes) with 2 (H2) 1/4 x 2" Hex Bolts (with lock washer, flat washer and t-nut) as shown in fig. 11.1. **Keep bolts loose.**

B: Make sure assembly is square and then fasten (2371) Floor End to (2383) Posts with 2 (LS1) 1/4 x 1-1/2" Lag Screws (with flat washer). Tighten all bolts. (fig. 11.2)

C: Measure 28-1/4" up from the bottom of (0348) SL Ground and attach (2561) Safety Rail to each (2383) Post with 4 (S7) #12 x 2" Pan Screws as shown in fig. 11.1.

D: Measure 8-1/2" down from the top of each (2383) Post then attach (2553) MK Board to each (2383) Post with 6 (S7) #12 x 2" Pan Screws as shown in fig. 11.1. Notice the holes are towards the bottom of the board.



Wood Parts		Hardware	
2 x	2383 Post 2 x 4 x 88"	6 x	H2 1/4 x 2" Hex Bolt (1/4" lock washer, 1/4" flat washer, 1/4" t-nut)
1 x	0348 SL Ground 1 x 5 x 38-1/4"	2 x	LS1 1/4 x 1-1/2" Lag Screw (1/4" flat washer)
1 x	2371 Floor End 1 x 5 x 38-7/8"	10 x	S7 #12 x 2" Pan Screw
1 x	2553 MK Board 5/4 x 6 x 38-7/8"		
1 x	2561 Safety Rail 5/4 x 4 x 38-7/8"		

Step 12: Cafe Wall Assembly



Note: Pre-drill all holes using a 1/8" drill bit before installing the Lag Screws.

A: On the ground lay flat 2 (2383) Posts then loosely attach (0348) SL Ground with 4 (H2) 1/4 x 2" Hex Bolts (with lock washer, flat washer and t-nut); (2371) Floor End (in the top holes) and (2387) Side Arch (in the top holes) with 2 (H2) 1/4 x 2" Hex Bolts (with lock washer, flat washer and t-nut) per board, as shown in fig. 12.1. **Keep bolts loose.**

B: Make sure assembly is square and then fasten (2371) Floor End to (2383) Posts with 2 (LS1) 1/4 x 1-1/2" Lag Screws (with flat washer) and (2387) Side Arch to posts with 2 (S2) #8 x 1-1/2" Wood Screws. (fig. 12.1 and 12.2)

C: Tighten all bolts.

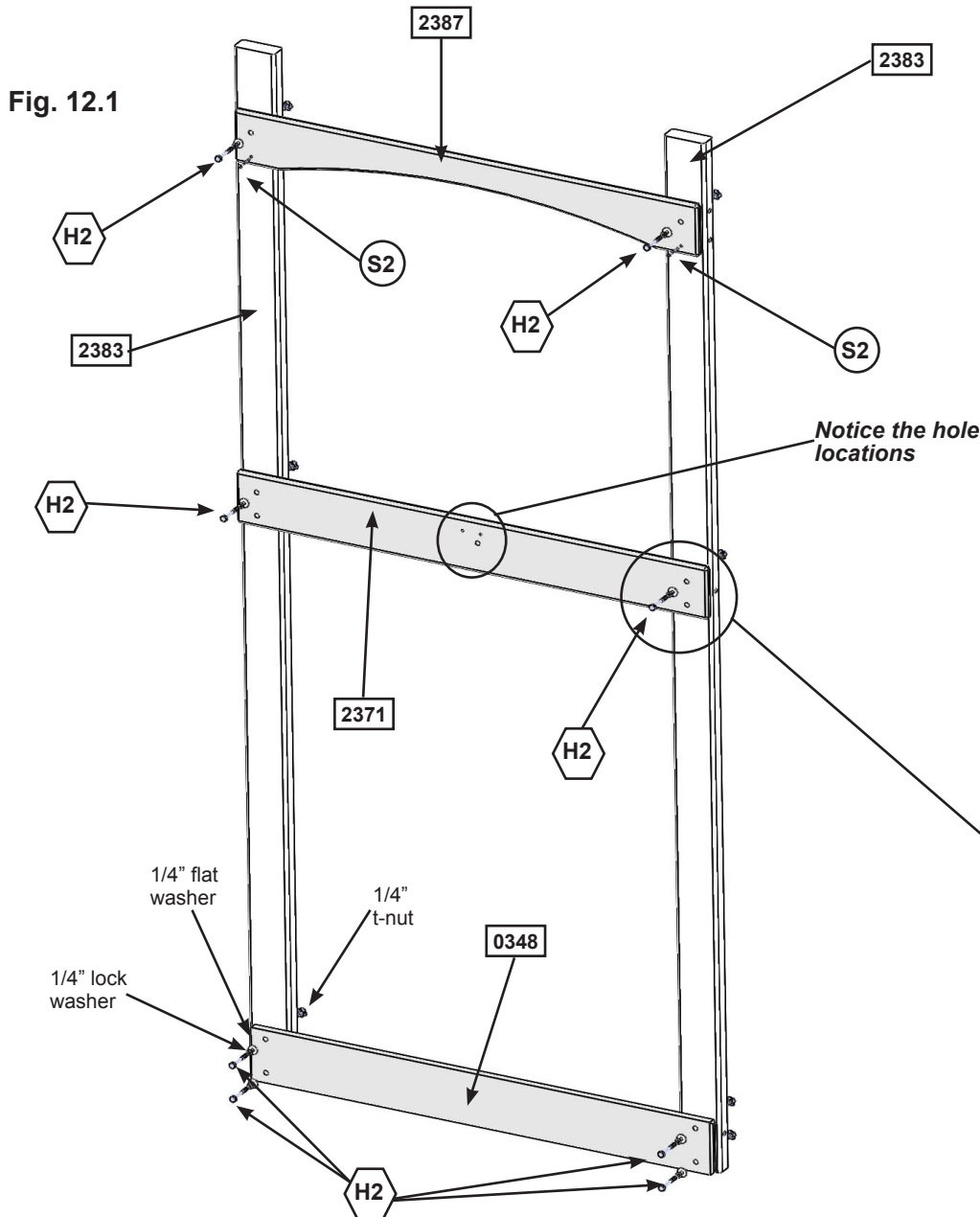
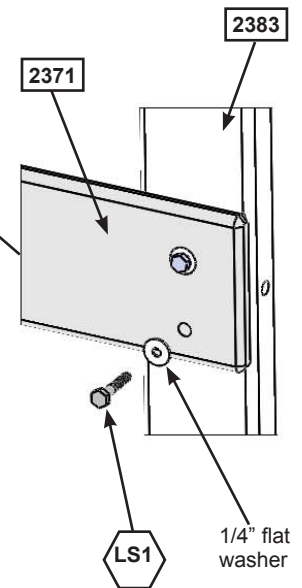


Fig. 12.2



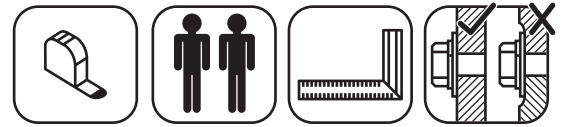
Wood Parts

- 1 x 2387 Side Arch 1 x 5 x 38-1/4"
- 2 x 2383 Post 2 x 4 x 88"
- 1 x 2371 Floor End 1 x 5 x 38-7/8"
- 1 x 0348 SL Ground 1 x 5 x 38-1/4"

Hardware

- 8 x H2 1/4 x 2" Hex Bolt (1/4" lock washer, 1/4" flat washer, 1/4" t-nut)
- 2 x LS1 1/4 x 1-1/2" Lag Screw (1/4" flat washer)
- 2 x S2 #8 x 1-1/2" Wood Screw

Step 13: Front Wall Assembly



A: With both the Access and Cafe Walls facing each other loosely attach (2554) Front Ground to (2383) Posts with 2 (H4) 1/4 x 4" Hex Bolts (with lock washer, flat washer and t-nut). Notice the extended end is on the Cafe Wall side. (fig. 13.1)

B: Loosely attach (2350) Front Floor to both (2383) Posts with 2 (H8) 1/4 x 4-1/4" Hex Bolts (with lock washer, flat washer and t-nut), the arch should be on the right side of the wall, and (2559) Window Bottom to both posts with 4 (H4) 1/4 x 4" Hex Bolts (with lock washer, flat washer and t-nut). (fig. 13.1)

C: Check that assembly is square then attach (2554) Front Ground to both (2383) Posts with 2 (S7) #12 x 2" Pan Screws (with flat washer). (fig. 13.1)

D: Re-check that the assembly is square then measure 17" from (2383) Post on the Cafe Wall and loosely attach (2377) Lower Post to (2350) Front Floor with 1 (H3) 1/4 x 2-1/2" Hex Bolt (with lock washer, flat washer and t-nut) and to (2554) Front Ground with 2 (S2) #8 x 1-1/2" Wood Screws. (fig. 13.1)

E: Loosely attach (2366) Centre Post to (2350) Front Floor with 1 (H8) 1/4 x 4-1/4" Hex Bolt (with lock washer, flat washer and t-nut) from outside the assembly and to (2559) Window Bottom with 1 (H4) 1/4 x 4" Hex Bolts (with lock washer, flat washer and t-nut) from inside the assembly. (fig. 13.1)

F: Tighten all bolts in this step.

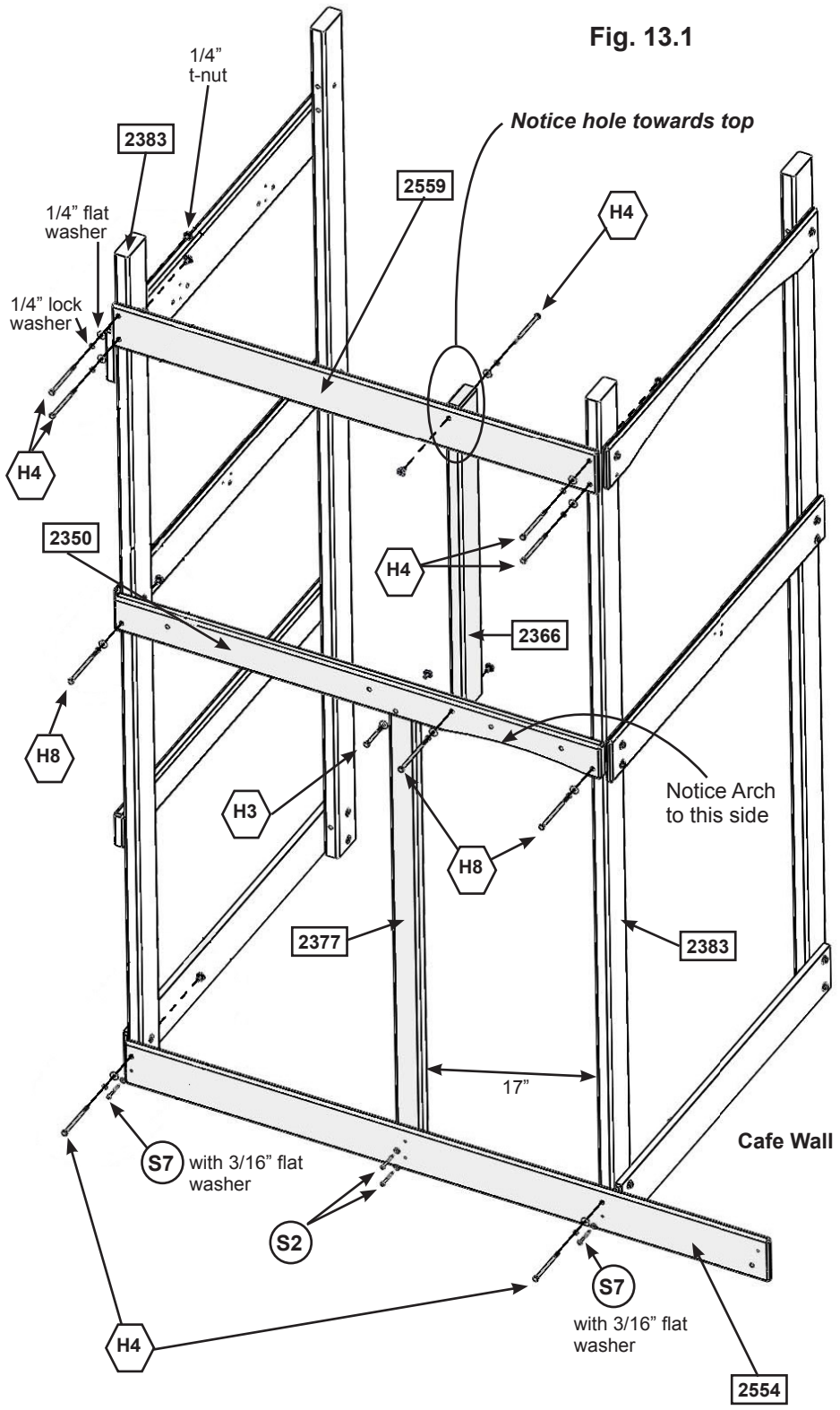


Fig. 13.1

Wood Parts

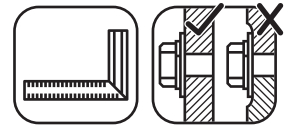
- 1 x 2559 Window Bottom 1 x 5 x 46-5/8"
- 1 x 2366 Centre Post 2 x 4 x 32-3/4"
- 1 x 2350 Front Floor 5/4 x 4 x 46-3/4"
- 1 x 2377 Lower Post 2 x 3 x 49-3/4"
- 1 x 2554 Front Ground 1 x 5 x 61-3/8"

Hardware

- 1 x H3 1/4 x 2-1/2" Hex Bolt (1/4" lock washer, 1/4" flat washer, 1/4" t-nut)
- 7 x H4 1/4 x 4" Hex Bolt (1/4" lock washer, 1/4" flat washer, 1/4" t-nut)
- 3 x H8 1/4 x 4-1/4" Hex Bolt (1/4" lock washer, 1/4" flat washer, 1/4" t-nut)

- 2 x S7 #12 x 2" Pan Screw (with 3/16" flat washer)
- 2 x S2 #8 x 1-1/2" Wood Screw

Step 14: Swing Wall Assembly Part 1



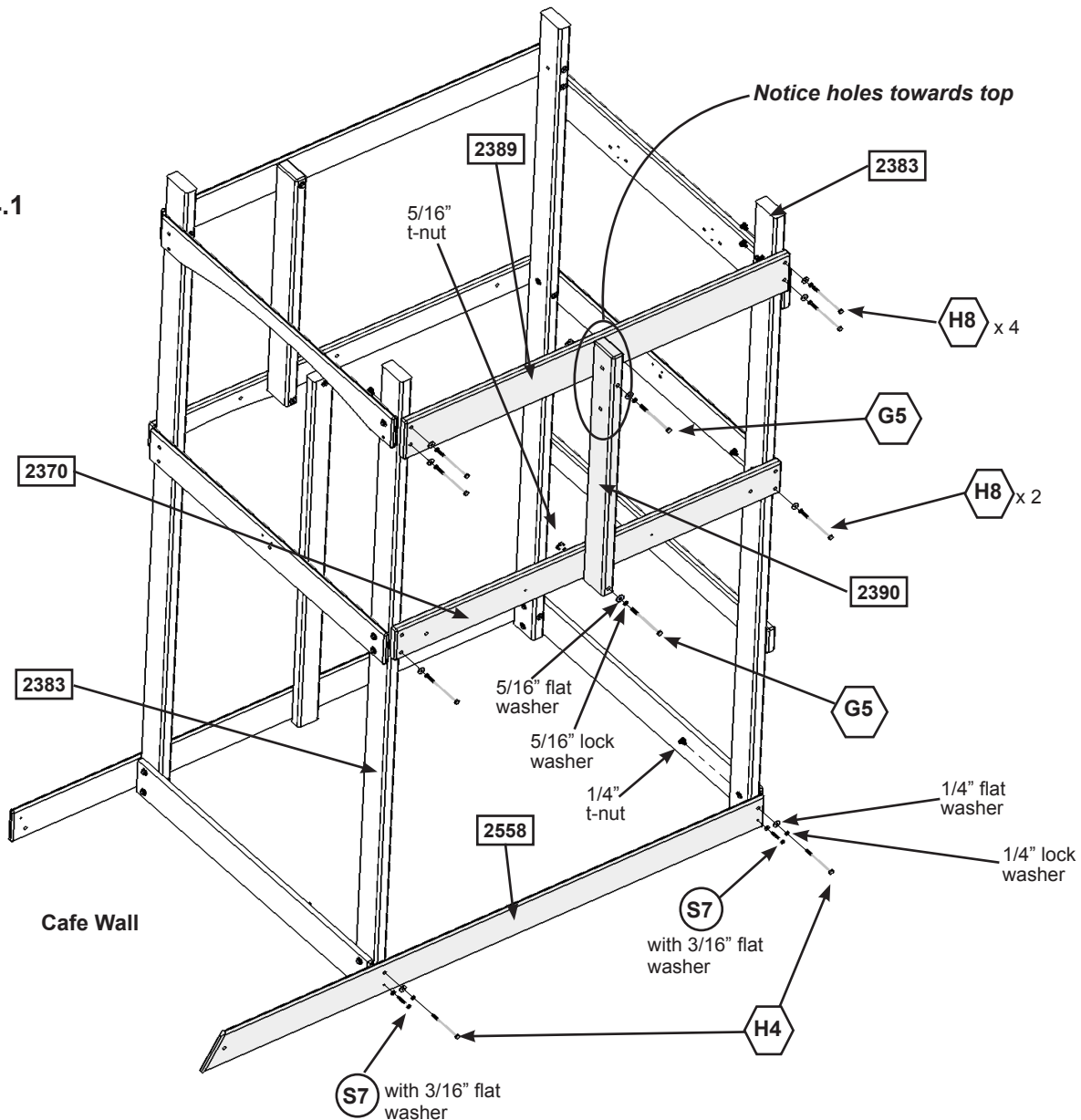
A: Loosely attach (2558) Ground Back using 2 (H4) 1/4 x 4" Hex Bolts (with lock washer, flat washer and t-nut) in the top holes, (2370) Floor Back using 2 (H8) 1/4 x 4-1/4" Hex Bolts (with lock washer, flat washer and t-nut) in the bottom holes and (2389) SW Back using 4 (H8) 1/4 x 4-1/4" Hex Bolts (with lock washer, flat washer and t-nut) to both (2383) Posts. (fig. 14.1)

B: Loosely attach (2390) SW Mount to (2370) Floor Back and (2389) SW Back with 2 (G5) 5/16 x 4-1/2" Hex Bolts (with lock washer, flat washer and t-nut). (fig. 14.1)

C: Make sure the assembly is square then tighten all Hex Bolts from this step.

D: Attach (2558) Ground Back to each (2383) Posts with 2 (S7) #12 x 2" Pan Screws (with flat washer). (fig. 14.1)

Fig. 14.1



Wood Parts

- 1 x **2389** SW Back 5/4 x 6 x 46-5/8"
- 1 x **2390** SW Mount 2 x 4 x 34-1/2"
- 1 x **2370** Floor Back 5/4 x 5 x 46-3/4"
- 1 x **2558** Ground Back 1 x 5 x 68"

Hardware

- 2 x **G5** 5/16 x 4-1/2" Hex Bolt (5/16" lock washer, 5/16" flat washer, 5/16" t-nut)
- 2 x **H4** 1/4 x 4" Hex Bolt (1/4" lock washer, 1/4" flat washer, 1/4" t-nut)
- 6 x **H8** 1/4 x 4-1/4" Hex Bolt (1/4" lock washer, 1/4" flat washer, 1/4" t-nut)
- 2 x **S7** #12 x 2" Pan Screw (with 3/16" flat washer)

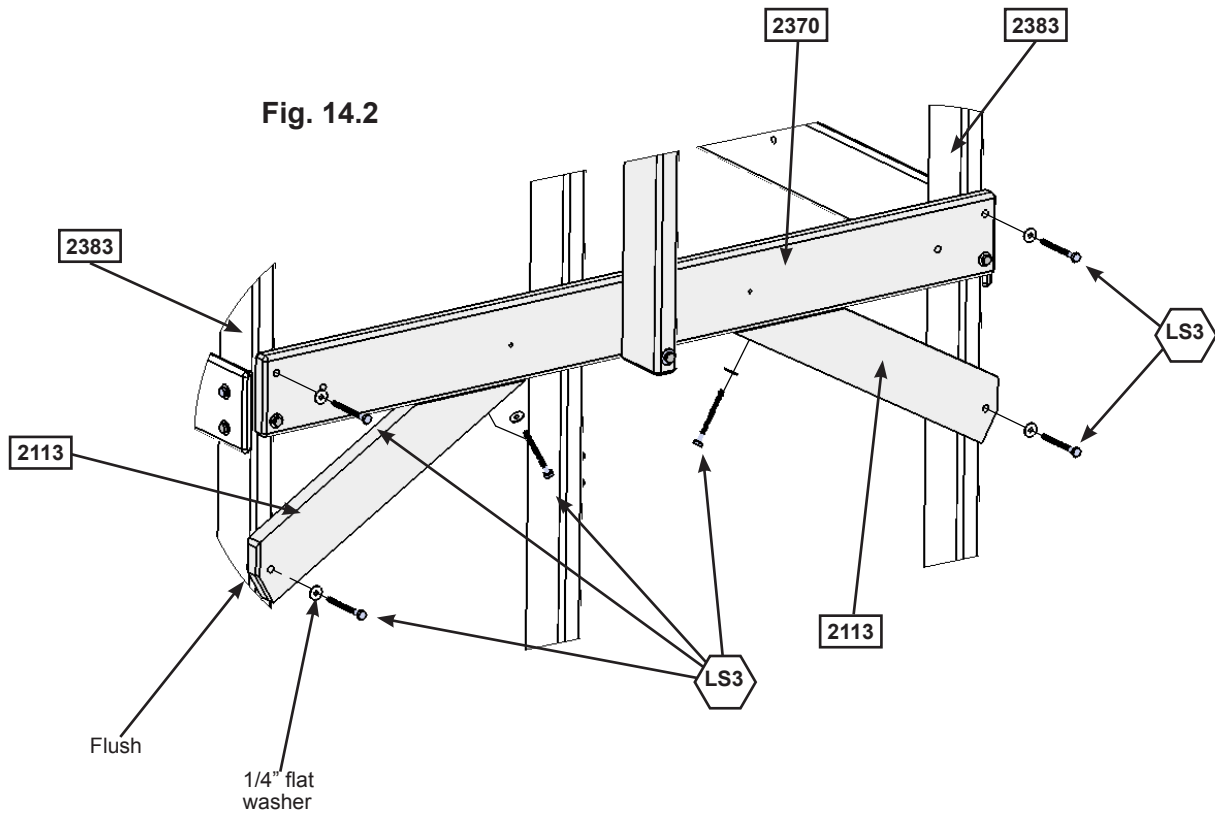
Step 14: Swing Wall Assembly Part 2



Note: Pre-drill all holes using a 1/8" drill bit before installing the Lag Screws.

E: Make sure the assembly is square then attach (2370) Floor Back to each (2383) Post with 2 (LS3) 1/4 x 3" Lag Screw (with flat washer). (fig. 14.2)

F: Tight to the bottom of (2370) Floor Back and bevelled edges flush to outside edge of (2383) Posts, attach 1 (2113) Gusset II to each side using 2 (LS3) 1/4 x 3" Lag Screws (with flat washer) per gusset. (fig. 14.2)



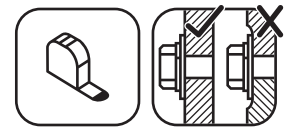
Wood Parts

2 x Gusset II 5/4 x 4 x 18-1/2"

Hardware

6 x 1/4 x 3" Lag Screw (1/4" flat washer)

Step 15: Floor Assembly Part 1



A: 5/8" down from the top of both (2371) Floor Ends attach (0790) Floor Joist with 2 (S4) #8 x 3" Wood Screws per end. (fig. 15.1 and 15.2)

B: On the Swing Wall attach (0795) Side Joist to the inside of (2370) Floor Back with 2 (H3) 1/4 x 2-1/2" Hex Bolts (with lock washer, flat washer and t-nut) and 2 (S7) #12 x 2" Pan Screws from outside the assembly, as shown in fig. 15.1.

C: On the Front Wall, on the Access Wall side, place (2375) Long Joist on the inside of (2350) Front Floor and attach to (2350) Front Floor with 2 (H3) 1/4 x 2-1/2" Hex Bolts (with lock washer, flat washer and t-nut) as shown in fig. 15.1.

D: On the Front Wall, on the Cafe Wall side place (2386) Short Joist on the inside of (2350) Front Floor and attach with 2 (H3) 1/4 x 2-1/2" Hex Bolts (with lock washer, flat washer and t-nut) from outside the assembly. (fig. 15.1)

E: Tighten all bolts.

Fig. 15.1

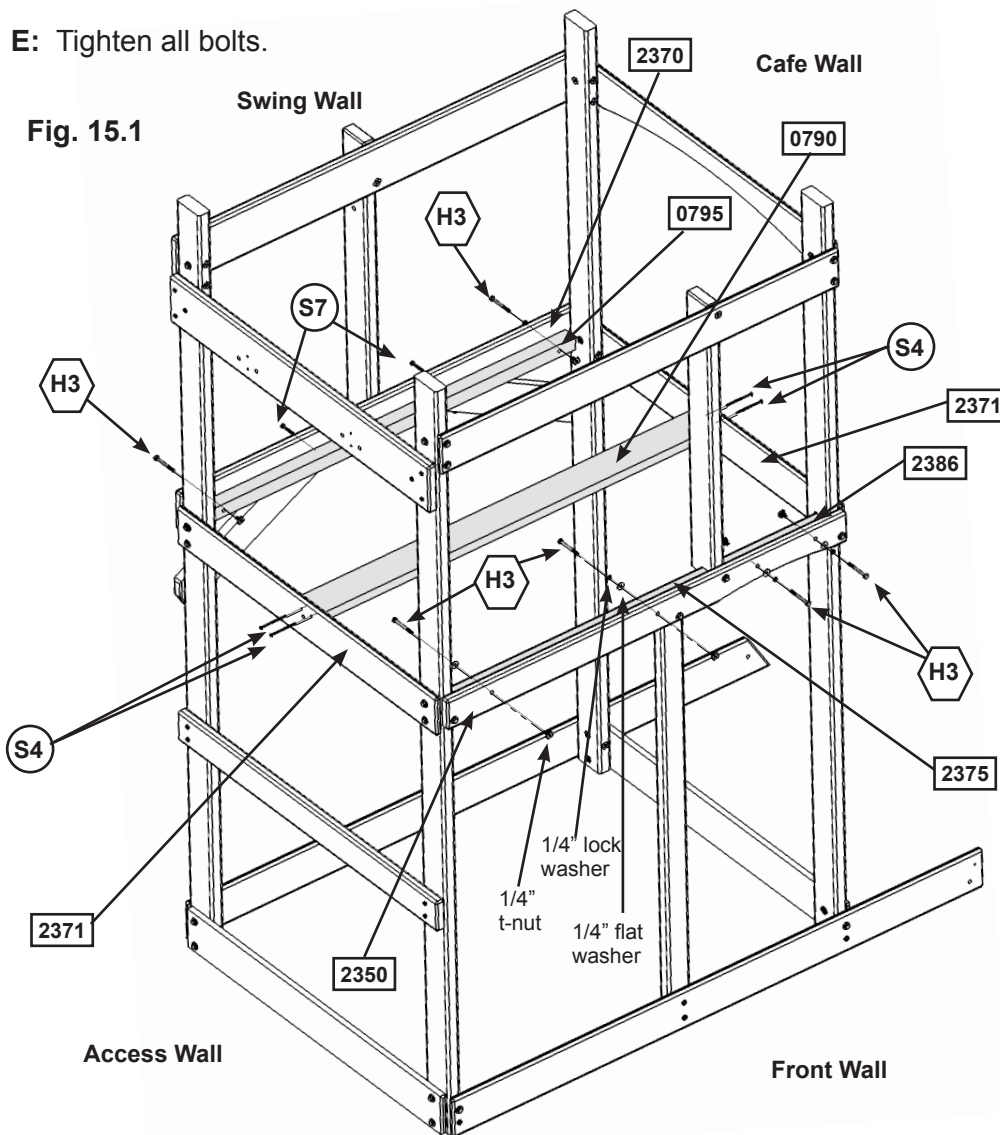
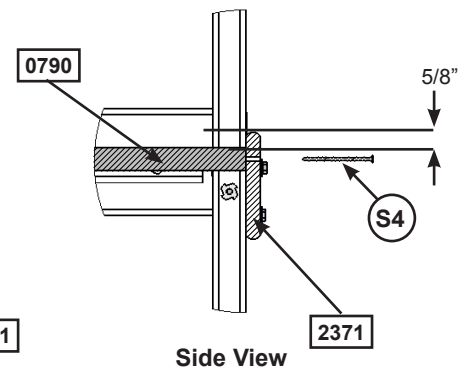


Fig. 15.2



Wood Parts

- 1 x 0790 Floor Joist 5/4 x 4 x 46-1/2"
- 1 x 0795 Side Joist 2 x 2 x 43"
- 1 x 2375 Long Joist 2 x 2 x 29-3/4"
- 1 x 2386 Short Joist 2 x 2 x 11-1/2"

Hardware

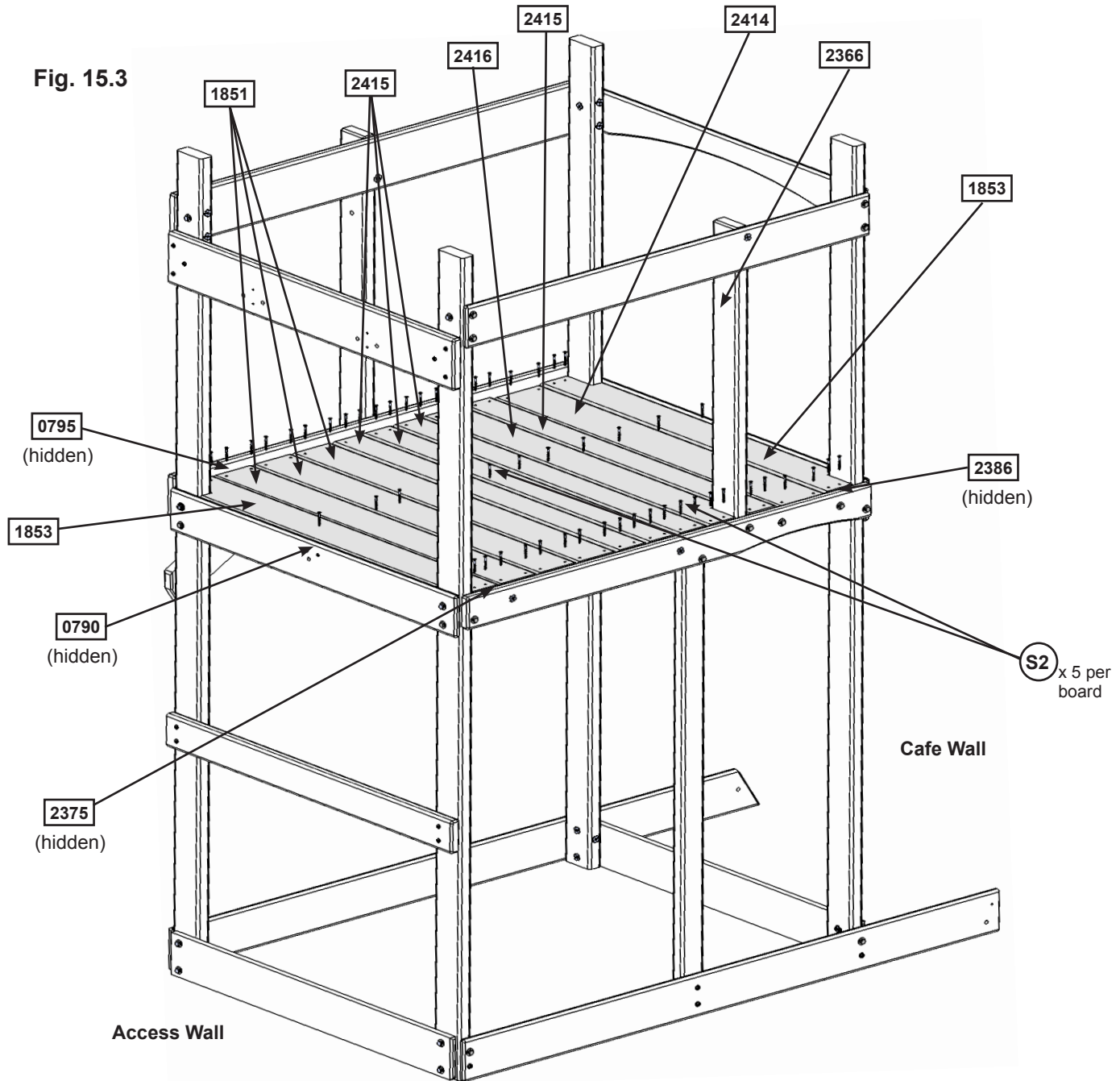
- 4 x S4 #8 x 3" Wood Screw
- 2 x S7 #12 x 2" Pan Screw
- 6 x H3 1/4 x 2-1/2" Hex Bolt (1/4" lock washer, 1/4" flat washer, 1/4" t-nut)

Step 15: Floor Assembly Part 2

F: Place 1 (1853) Cedar Gap Board at each end of the assembly. Then starting on the Access Wall side place 3 (1851) Cedar Floor Boards, 3 (2415) Cedar Floor Boards, 1 (2416) Cedar Gap Board so the gap in the board fits around (2366) Centre Post, 1 more (2415) Cedar Floor Board and 1 (2414) Cedar Floor Board. Make sure all boards are evenly spaced. (fig. 15.3)

G: Attach boards to (0795) Side Joist, (0790) Floor Joist, (2375) Long Joist and (2386) Short Joist with 5 (S2) #8 x 1-1/2" Wood Screws per board. (fig. 15.3)

Fig. 15.3



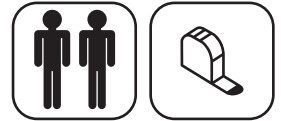
Wood Parts

- 2 x 1853 Cedar Gap Board 1 x 5 x 38-3/4"
- 3 x 1851 Cedar Floor Board 1 x 5 x 38-3/4"
- 1 x 2416 Cedar Gap Board 1 x 5 x 38-3/4"
- 1 x 2414 Cedar Floor Board 1 x 6 x 38-3/4"
- 4 x 2415 Cedar Floor Board 1 x 4 x 38-3/4"

Hardware

- 55 x S2 #8 x 1-1/2" Wood Screw

Step 16: Attach Ground Stakes



MOVE FORT TO FINAL LOCATION. FINAL LOCATION MUST BE LEVEL GROUND.

⚠️ WARNING: To prevent tipping and avoid potential injury, stakes must be driven 10-1/2" into ground. Digging or driving stakes can be dangerous if you do not check first for underground wiring, cables or gas lines.

A: Drive 2 (0318) Ground Stakes 10-1/2" into the ground tight to 2 (2383) Posts as shown in fig. 16.1. Attach using 2 (S3) #8 x 2-1/2" Wood Screws per ground stake. (fig. 16.2)

Fig. 16.1

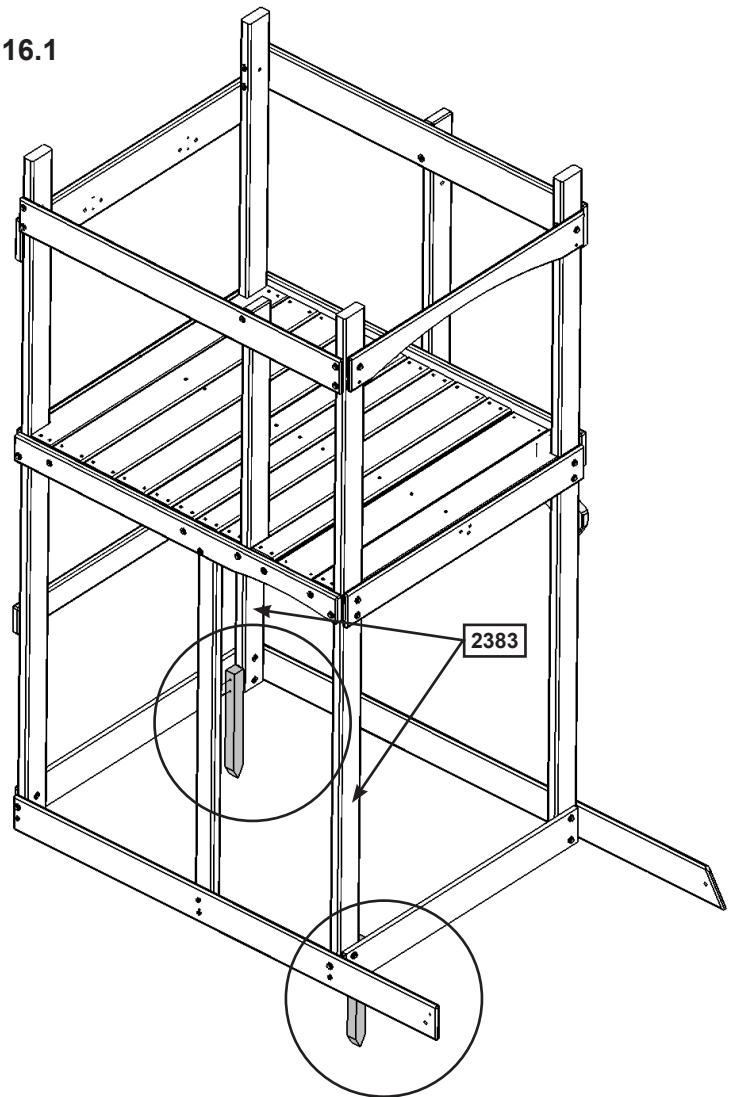
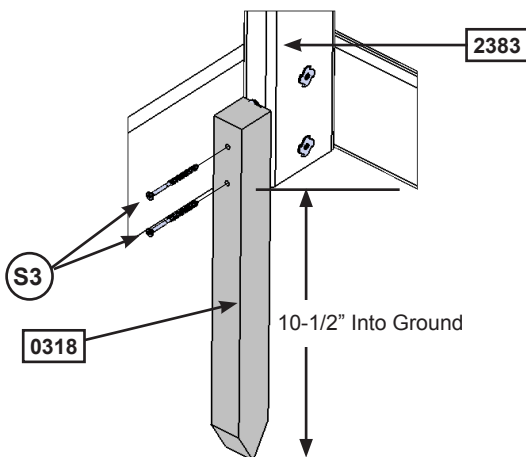


Fig. 16.2



Wood Parts

2 x 0318 Ground Stake 1-1/4 x 1-1/2 x 14"

Hardware

4 x S3 #8 x 2-1/2" Wood Screw

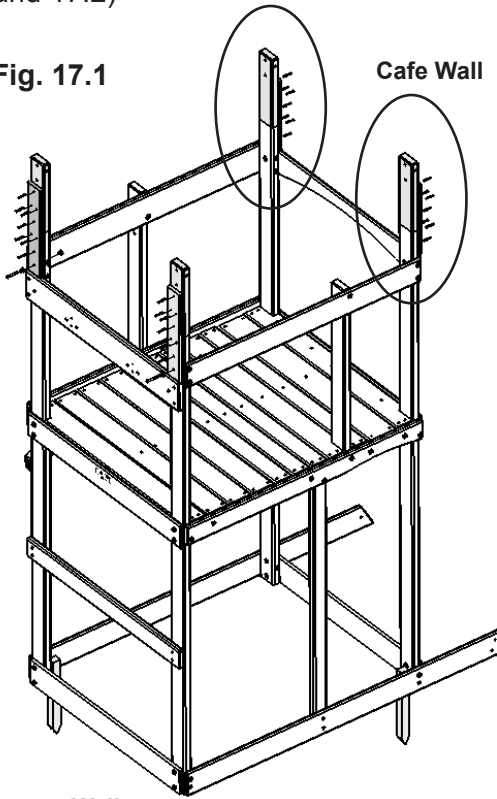
Step 17: Roof Frame Assembly

Part 1

A: On the Cafe Wall place 1 (2384) Post Support tight to top of (2837) Side Arch at each (2383) Post. Each (2384) Post Support must be flush to the inside edge of the posts. Attach each (2384) Post Support to posts with 3 (S2) #8 x 1-1/2" Wood Screws per board. (fig. 17.1 and 17.2)

B: Tight to the top and flush to the inside edge of each (2383) Post attach 1 (2364) Block to each (2384) Post Support with 4 (S2) #8 x 1-1/2" Wood Screws per board. Notice the hole orientation on each board. (fig. 17.1 and 17.2)

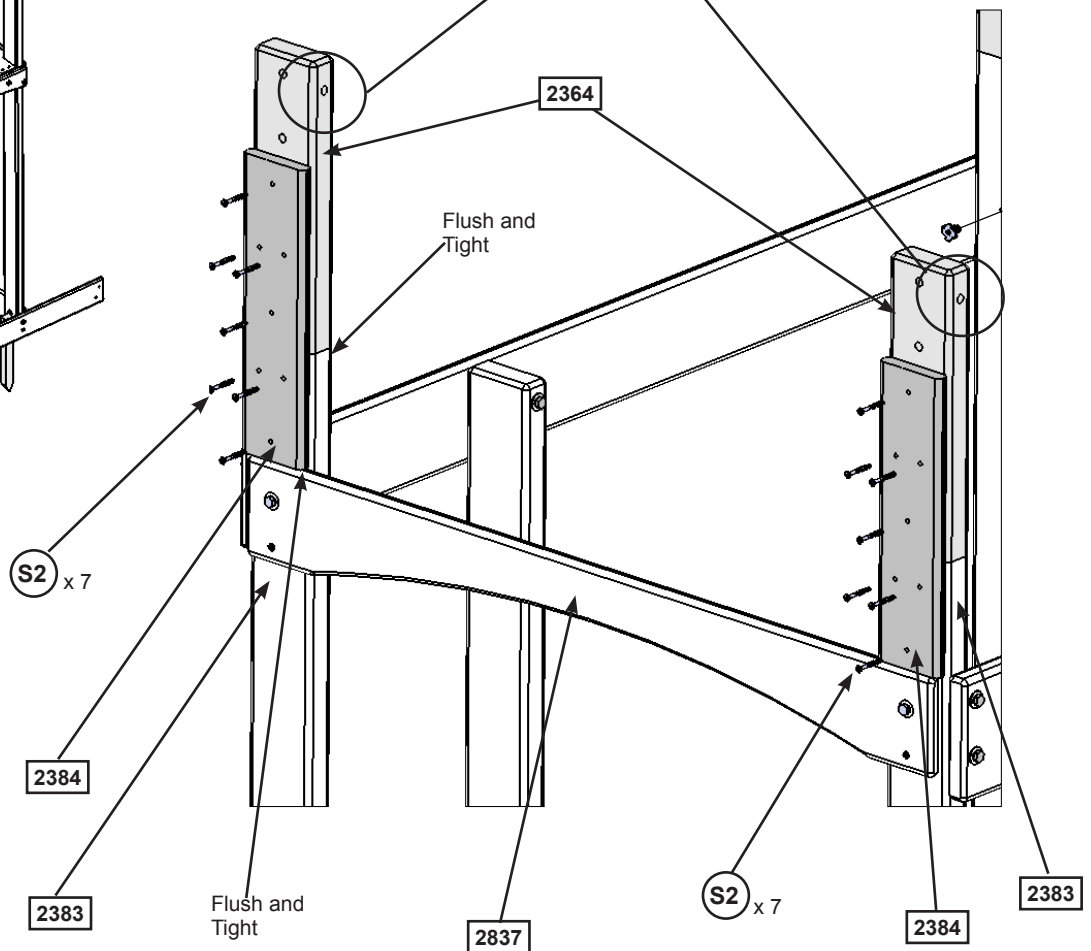
Fig. 17.1



Notice hole orientation

Fig. 17.2

Access Wall



Wood Parts

- 2 x 2364 Block 2 x 4 x 13"
- 2 x 2384 Post Support 1 x 4 x 13-3/8"

Hardware

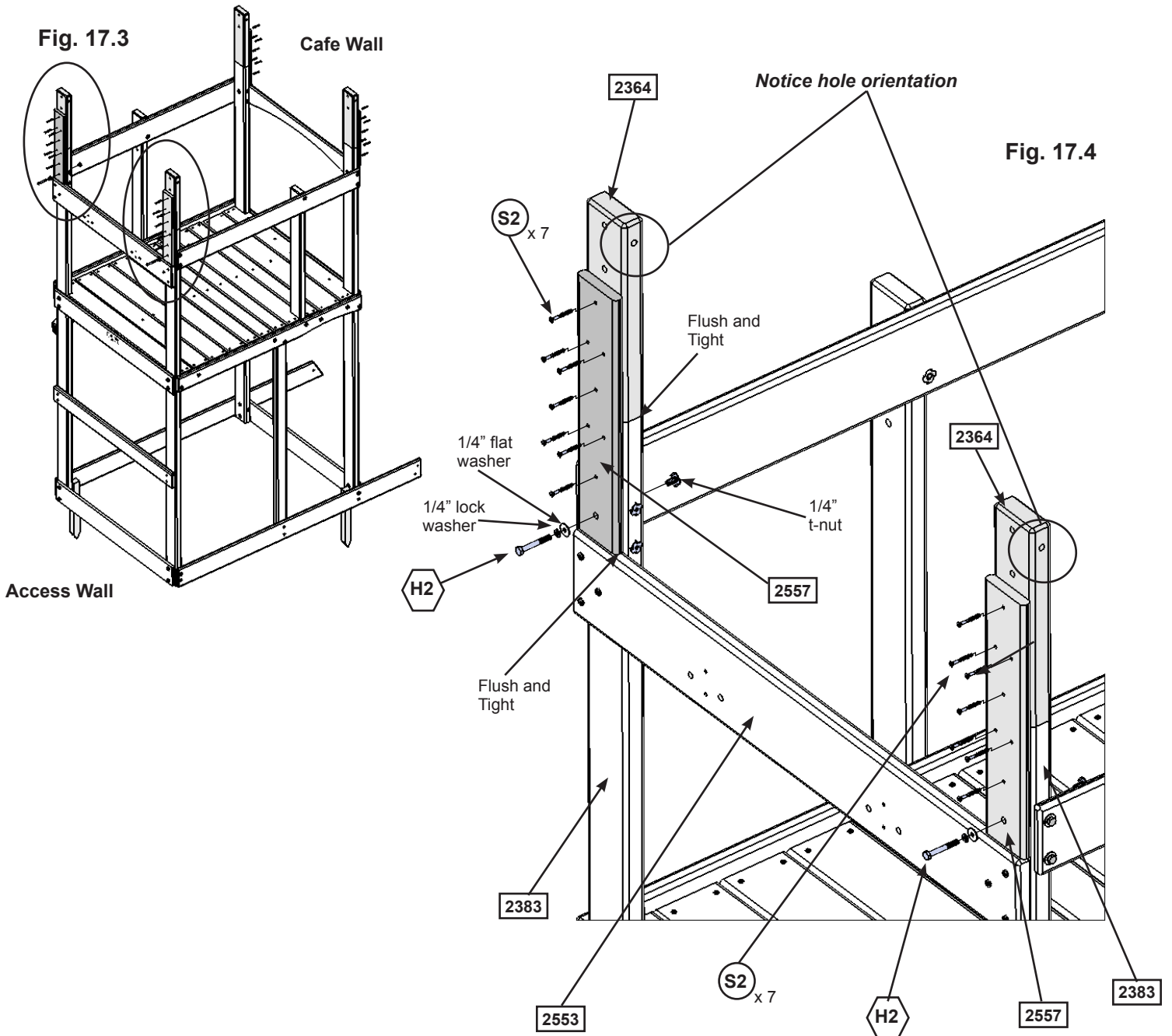
- 14 x S2 #8 x 1-1/2" Wood Screw

Step 17: Roof Frame Assembly

Part 2

C: On the Access Wall place 1 (2557) MK Support tight to top of (2553) MK Board at each (2383) Post. Each (2557) MK Support must be flush to the inside edge of the posts. Attach each (2553) MK Support to posts with 1 (H2) 1/4 x 2" Hex Bolt (with lock washer, flat washer and t-nut) and 3 (S2) #8 x 1-1/2" Wood Screws per board. (fig. 17.3 and 17.4)

D: Tight to the top and flush to the inside edge of each (2383) Post attach 1 (2364) Block to each (2553) MK Support with 4 (S2) #8 x 1-1/2" Wood Screws per board. Notice the hole orientation on each board. (fig. 17.3 and 17.4)



Wood Parts

- 2 x 2364 Block 2 x 4 x 13"
- 2 x 2557 MK Support 1 x 4 x 16-3/4"

Hardware

- 14 x S2 #8 x 1-1/2" Wood Screw
- 2 x H2 1/4 x 2" Hex Bolt
(1/4" lock washer, 1/4" flat washer, 1/4" t-nut)

Step 17: Roof Frame Assembly Part 3



E: On the Cafe Wall and Access Wall sides place 1 (0348) SL Ground tight to top of each (2384) Post Support and (2557) MK Support and flush to the outside edges of each (2364) Block. Attach to each (2364) Block with 4 (H2) 1/4 x 2" Hex Bolts (with lock washer, flat washer and t-nut) per board. (fig. 17.5 and 17.6)

F: On the Front Wall and Swing Wall sides place 1 (2391) Top Front Back flush to the top and outside edge of each (2364) Block. Attach to each (2364) Block with 2 (H4) 1/4 x 4" Hex Bolts (with lock washer, flat washer and t-nut) in the top holes and 2 (S2) #8 x 1-1/2" Wood Screws in the bottom holes, per board. (fig. 17.5 and 17.6)

Fig. 17.5

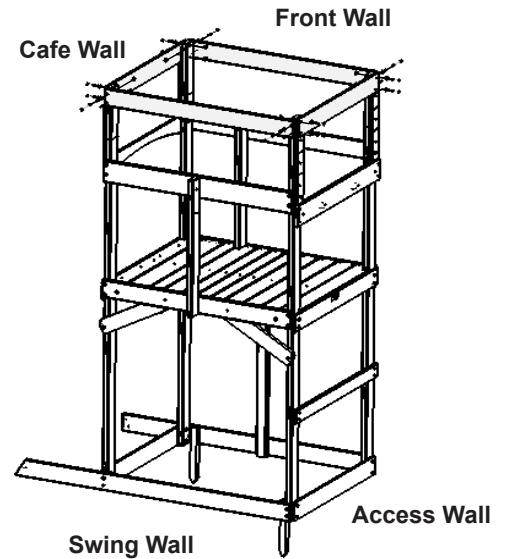
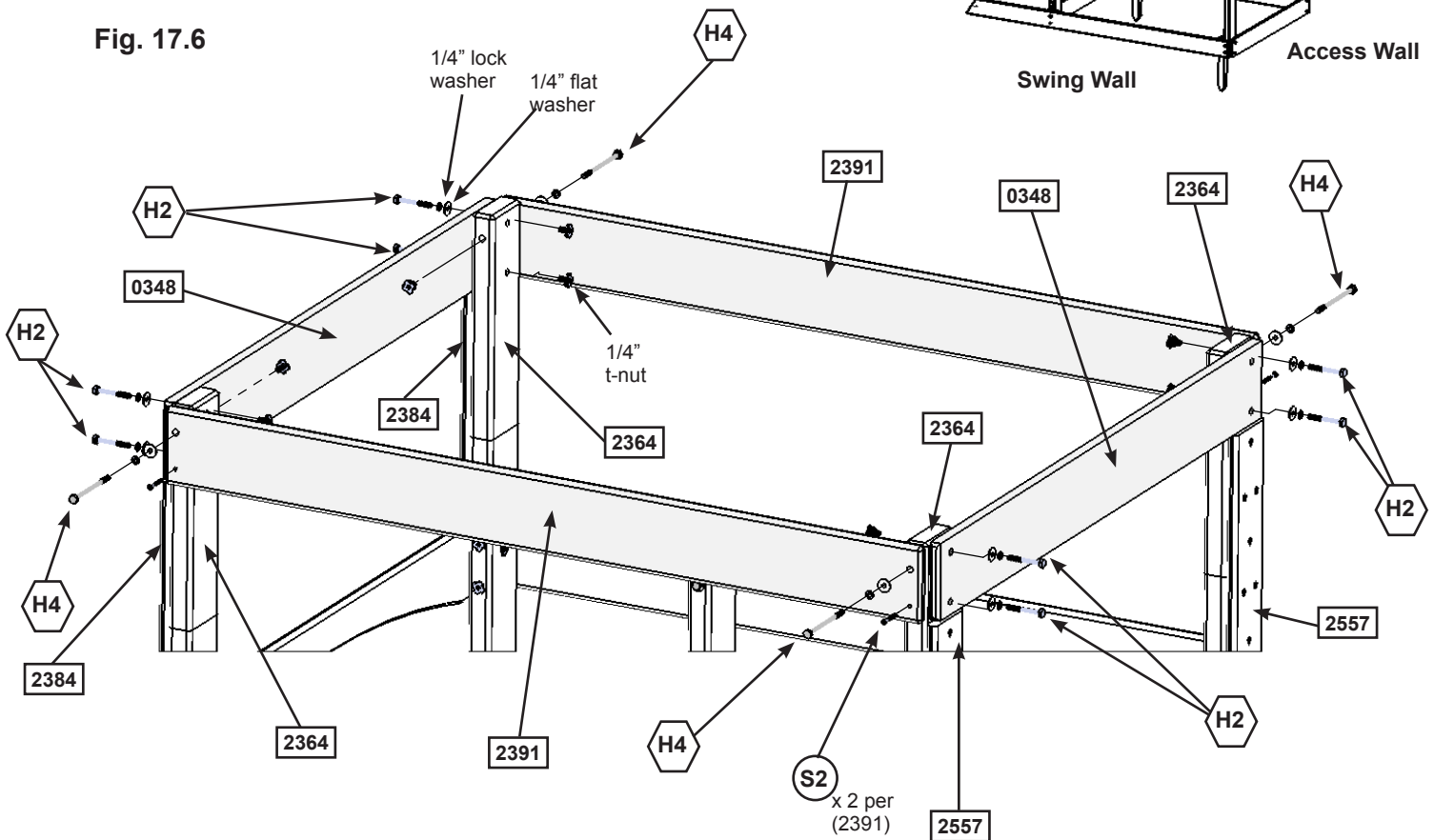


Fig. 17.6



Wood Parts

- 2 x 2391 Top Front Back 1 x 5 x 46-5/8"
- 2 x 0348 SL Ground 1 x 5 x 38-1/4"

Hardware

- 4 x S2 #8 x 1-1/2" Wood Screw
- 8 x H2 1/4 x 2" Hex Bolt (1/4" lock washer, 1/4" flat washer, 1/4" t-nut)
- 4 x H4 1/4 x 4" Hex Bolt (1/4" lock washer, 1/4" flat washer, 1/4" t-nut)

Step 18: Attach Roof to Fort Part 1

A: Attach 1 (2420) Bottom Gable to each end of the Roof Assembly from Step 7 with 1 (S2) #8 x 1-1/2" Wood Screw and 1 (S4) #8 x 3" Wood Screw per corner. (fig. 18.1 and 18.2)

B: Attach 2 Corner Braces to each (2420) Bottom Gable with 2 (S13) #6 x 5/8" Pan Screws per brace. The Corner Braces should be centred over the outside arches as shown in fig 18.1 and 18.2.

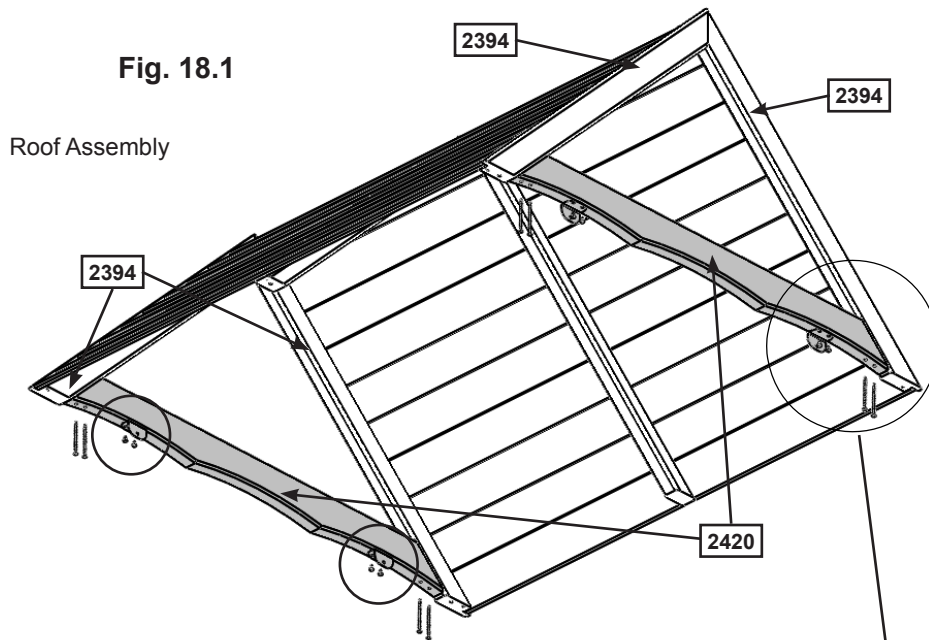
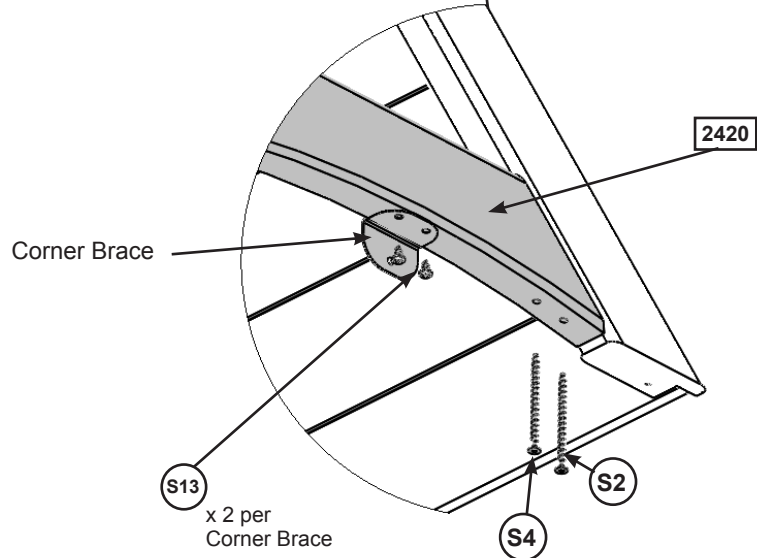


Fig. 18.2



Wood Parts

2 x **2420** Bottom Gable 2 x 4 x 41"

Hardware

8 x **S13** #6 x 5/8" Pan Screw

4 x **S4** #8 x 3" Wood Screw

4 x **S2** #8 x 1-1/2" Wood Screw

Other Parts

4 x Corner Brace

Step 18: Attach Roof to Fort Part 2



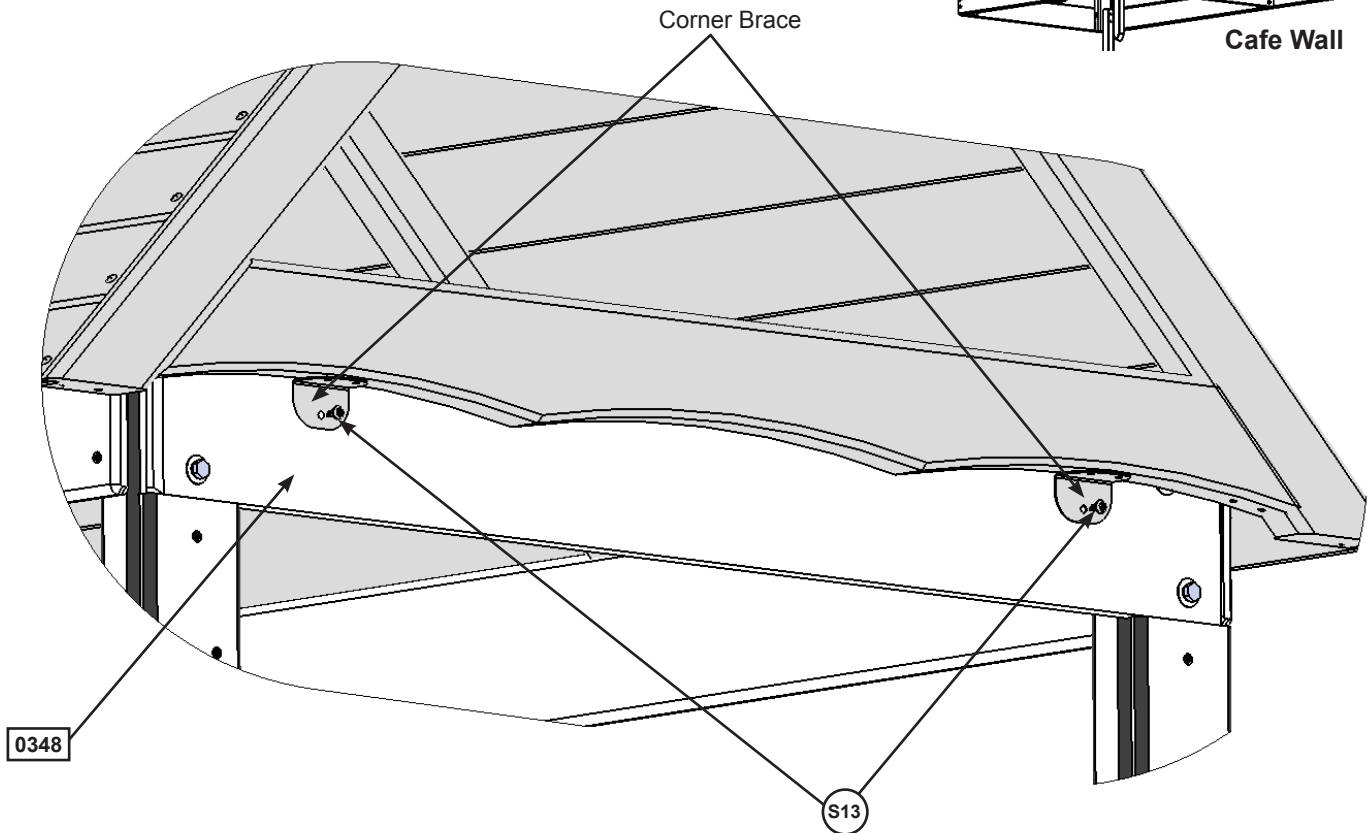
C: With two helpers place the Roof Assembly on the fort as shown in fig. 18.3. All four Corner Braces should sit on the outside face of each (0348) SL Ground. (fig. 18.3 and 18.4)

D: Attach each Corner Brace to the (0348) SL Grounds with 1 (S13) #6 x 5/8" Pan Screw per brace. (fig. 18.4)


Fig. 18.3



Fig. 18.4



Hardware

4 x  #6 x 5/8" Pan Screw

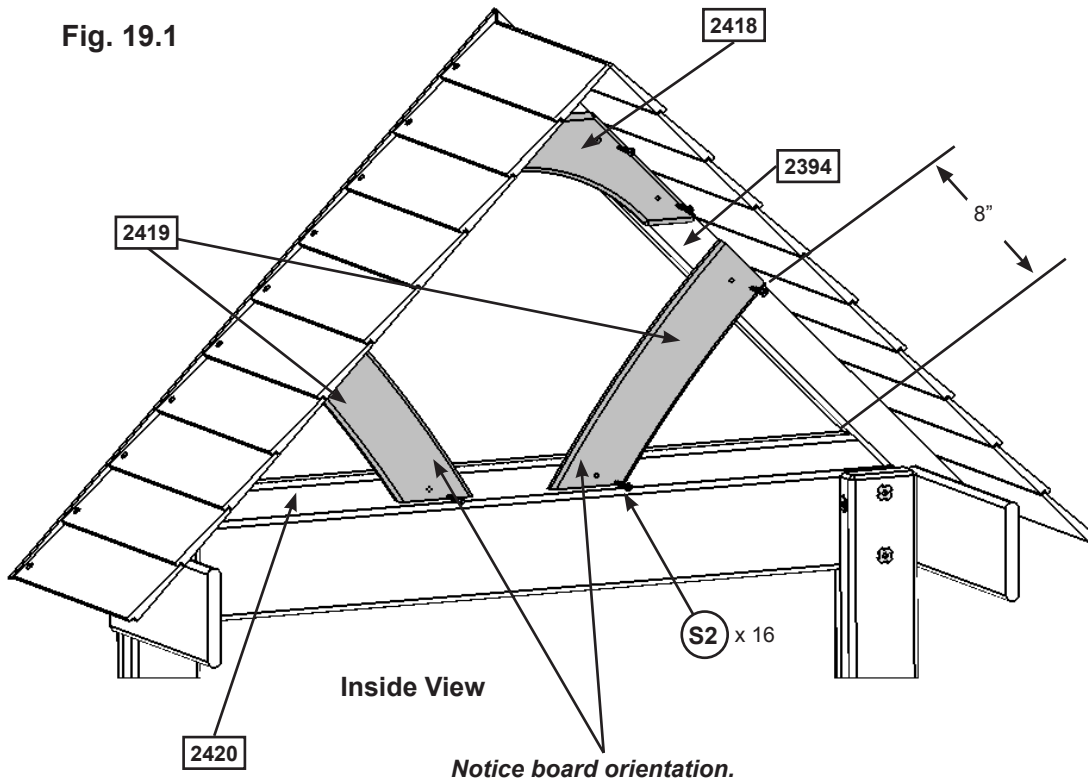
Step 19: Attach Gable to Roof



A: Along each (2394) Roof Support measure 8" up from the top of (2420) Bottom Gables then tight to the underside of the Roof, on each Roof Support Assembly, attach 2 (2419) Gable Sides, at the measured spot, to (2394) Roof Supports and (2420) Bottom Gable with 2 (S2) #8 x 1-1/2" Wood Screws per board. (fig. 19.1)

B: Tight to the underside of the Roof, at the peak of each Roof Support Assembly, attach 1 (2418) Gable Top to the (2394) Roof Supports with 4 (S2) #8 x 1-1/2" Wood Screws per board. (fig. 19.1)

Repeat for opposite side.



Wood Parts

- 2 x 2418 Gable Top 1 x 6 x 19"
- 4 x 2419 Gable Side 1 x 4 x 13-23/32"

Hardware

- 16 x (S2) #8 x 1-1/2" Wood Screw

Step 20: Upper Swing Wall Assembly



A: In between both (2383) Posts on Swing Wall side attach 7 (5265) Cedar Walls to (2370) Floor Back and (2389) SW Back using 4 (S2) #8 x 1-1/2" Wood Screws per board. Make sure the bottom of the boards are tight against the floor boards and the bevelled ends are at the top and facing out. Evenly space boards as shown below. Spacing must not exceed 3" in between all boards. (fig. 20.1, 20.2 and 20.3)

Fig. 20.1 Swing Wall

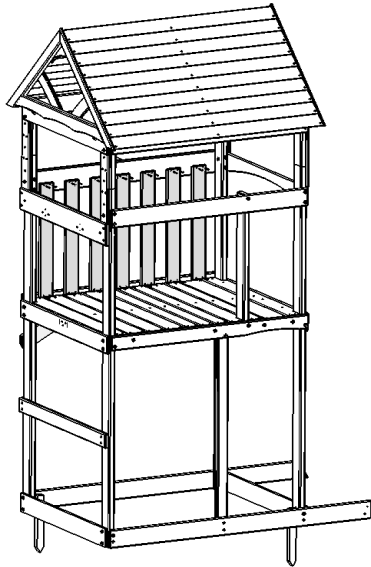


Fig. 20.2

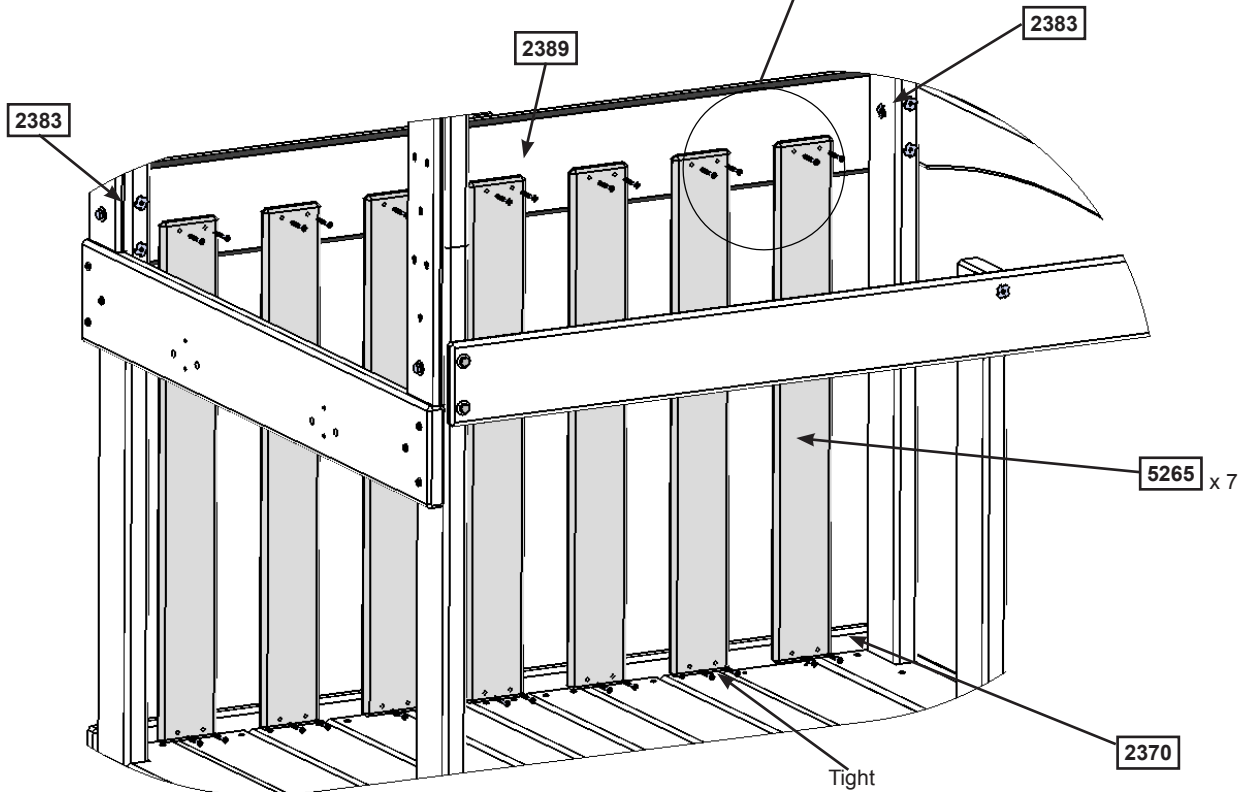
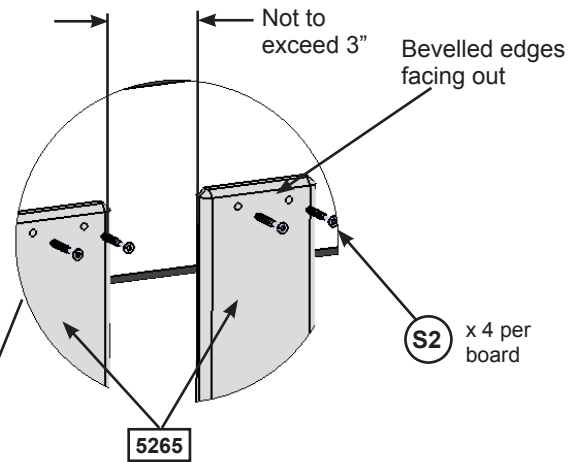


Fig. 20.3

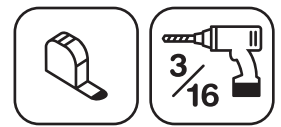
Wood Parts

7 x 5265 Cedar Wall 1 x 4 x 28"

Hardware

28 x S2 #8 x 1-1/2" Wood Screw

Step 21: Attach Hand Grip



Pre-drill all holes using a 3/16" drill bit before installing the Lag Screws

A: On the Front Wall measure 1-1/2" up (2383) Post from the top of (2350) Front Floor on the Access Wall side then attach 1 Hand Grip with 2 (LS1) 1/4 x 1-1/2" Lag Screws (with flat washer). (fig. 21.1 and 21.2)

Fig. 21.1

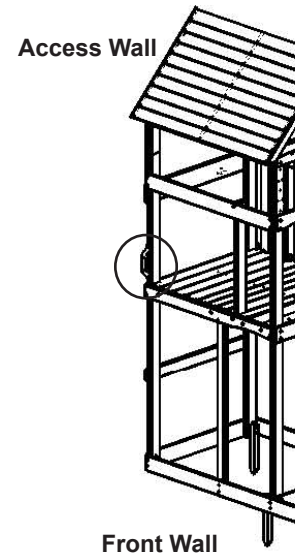
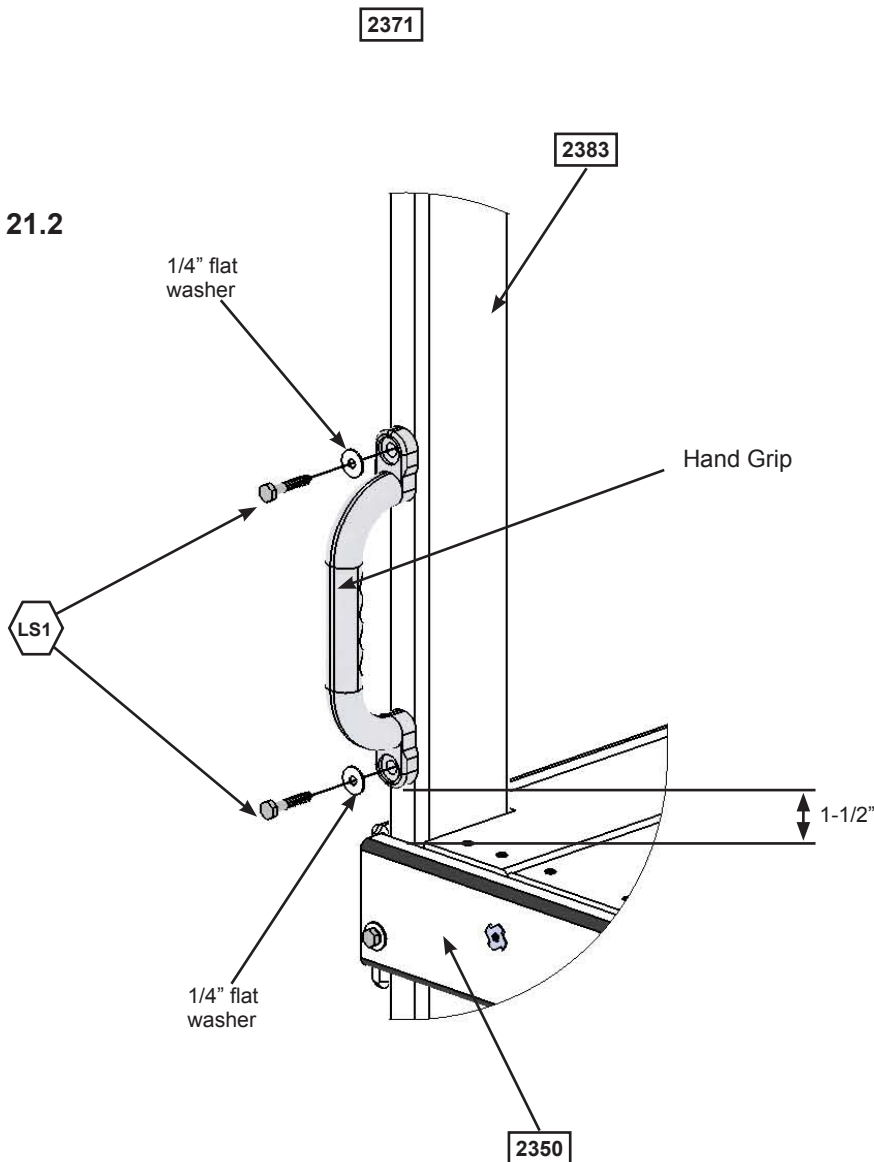


Fig. 21.2



Hardware

2 x  1/4 x 1-1/2" Lag Screw (1/4" flat washer)

Other Parts

1 x Hand Grip

Step 22: Upper Front Wall Assembly Part 1



A: On the Front Wall, tight to the floor boards, (2366) Centre Post and (2383) Post and 3/8" back from the outside face of (2383) Post and (2366) Centre Post attach 1 (2407) Wall Joist to each post with 3 (S3) #8 x 2-1/2" Wood Screws per board. (fig. 22.1 and 22.2)

Fig. 22.1

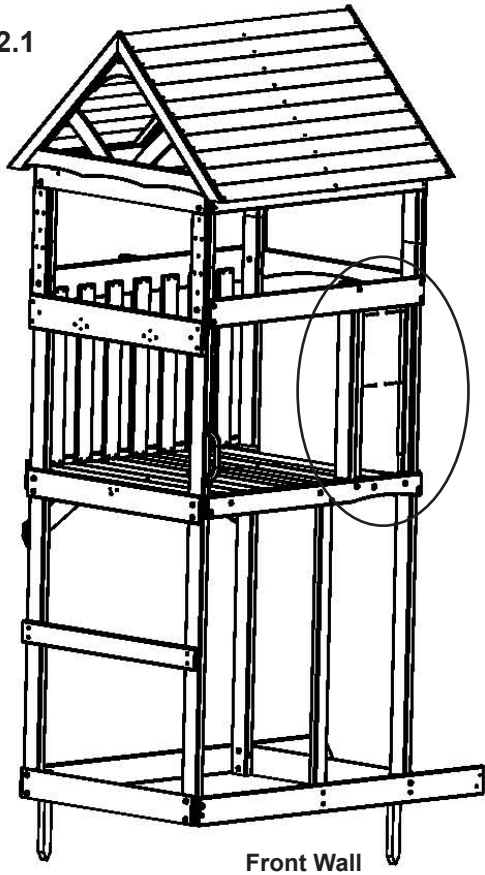
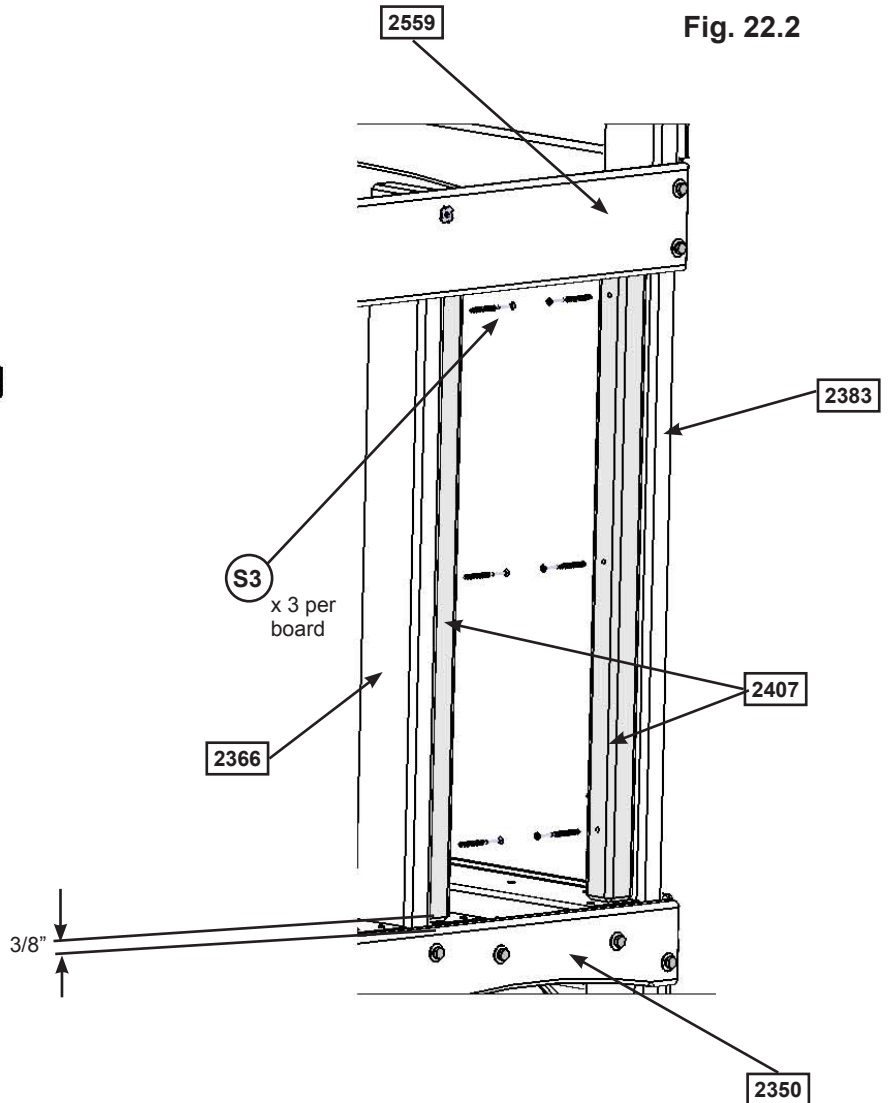


Fig. 22.2



Wood Parts

2 x [2407] Wall Joist 2 x 2 x 28-1/2"

Hardware

6 x (S3) #8 x 2-1/2" Wood Screw

Step 22: Upper Front Wall Assembly

Part 2

B: Between (2366) Centre Post and (2383) Post and tight to the top of the floor boards attach 3 (2412) CE Siding to both (2407) Wall Joists with 2 (S0) #8 x 7/8" Truss Screws per board. Make sure there are no gaps between boards (fig. 22.3 and 22.4)

C: Install (2430) Clock Siding followed by 4 more (2412) CE Siding making sure there are no gaps between boards. Attach to both (2407) Wall Joists with 2 (S0) #8 x 7/8" Truss Screws per board. The top of the last (2412) CE Siding should be to the bottom of (2559) Window Bottom. (fig. 22.4)

Fig. 22.3

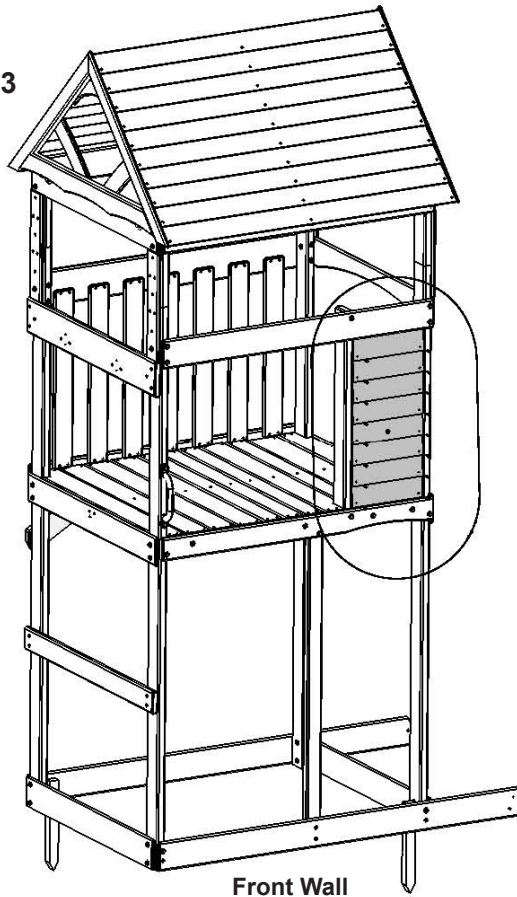
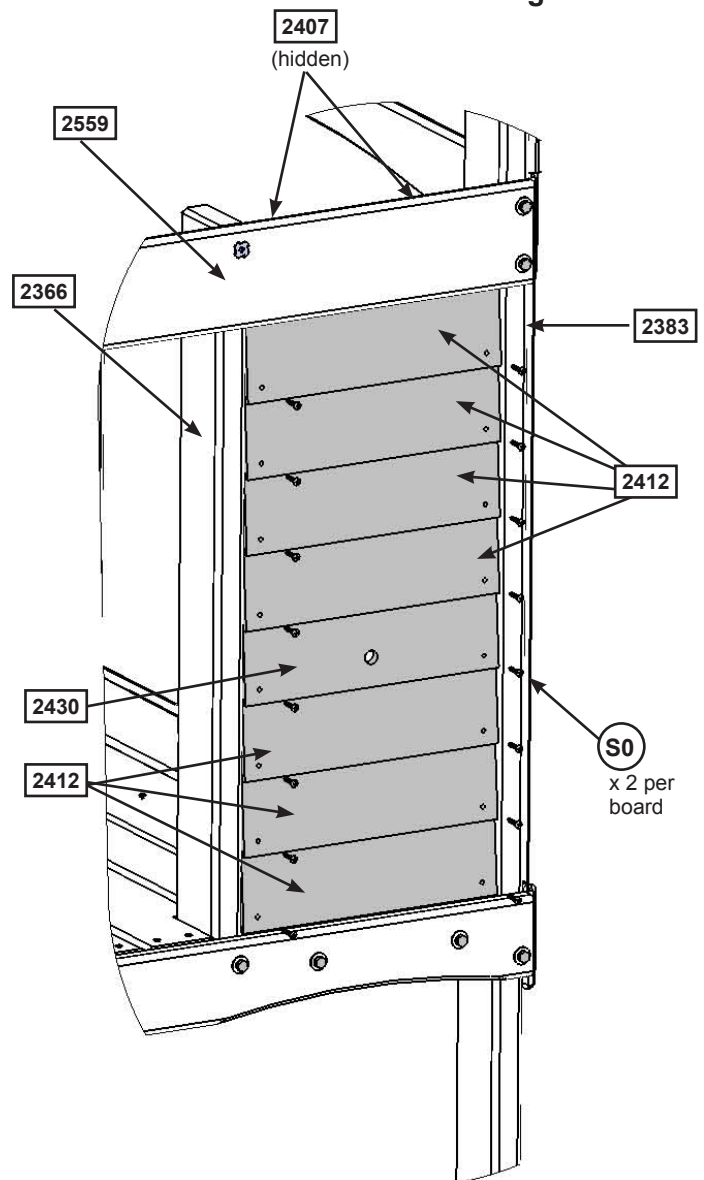


Fig. 22.4



Wood Parts

- 7 x 2412 CE Siding 3/8 x 3-1/2 x 12-1/8"
- 1 x 2430 Clock Siding 3/8 x 3-1/2 x 12-1/8"

Hardware

- 16 x S0 #8 x 7/8" Truss Screw

Step 23: Front Window Wall Assembly



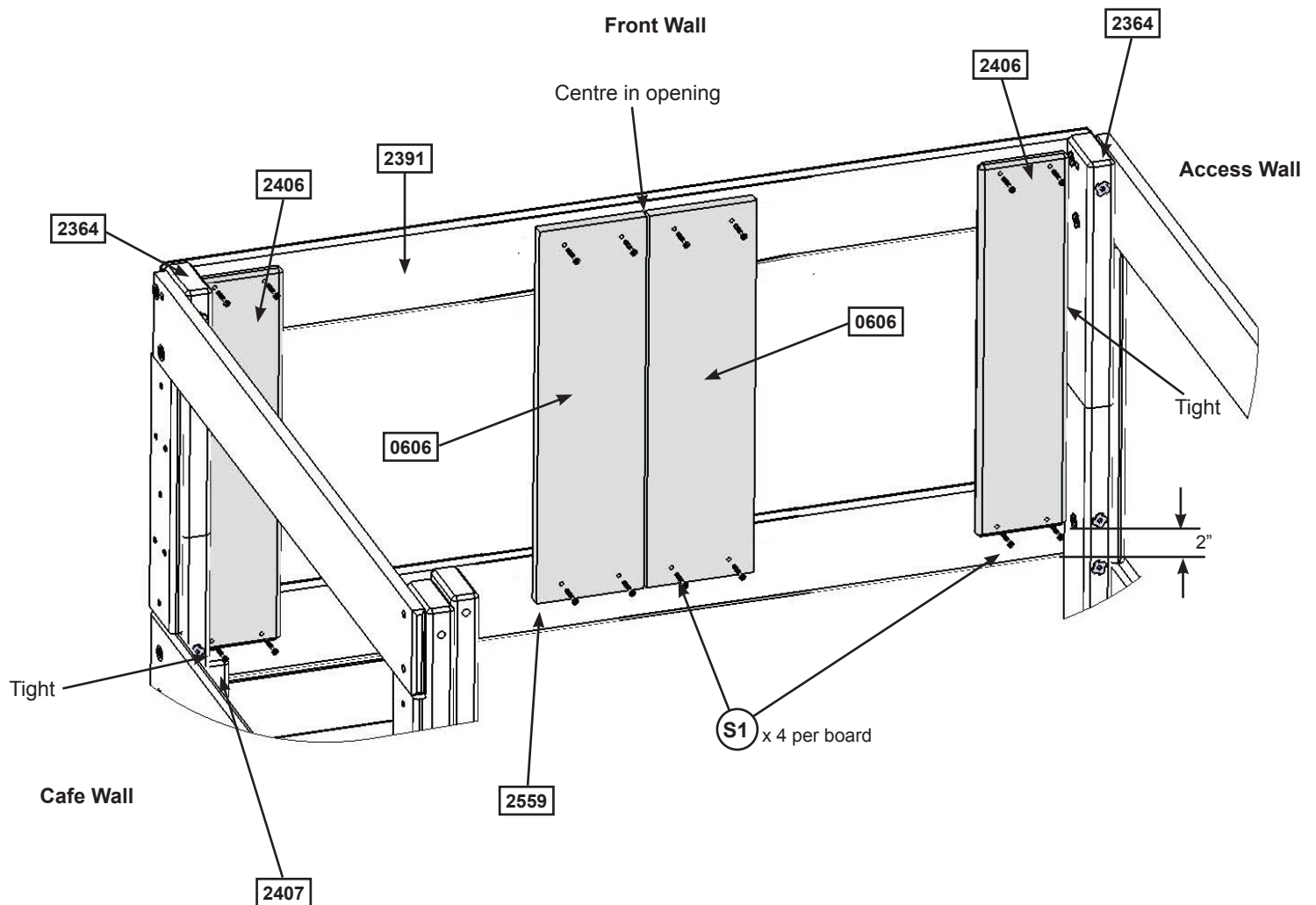
Part 1

A: On the Front Wall place 1 (2406) Wall Board tight to (2364) Block on Cafe Wall and tight to top of (2407) Wall Joist then attach to (2391) Top Front Back and (2559) Window Bottom with 4 (S1) #8 x 1-1/8" Wood Screws. (fig. 23.1)

B: Tight to (2364) Block on the Access Wall and 2" up from the bottom of (2559) Window Bottom attach a second (2406) Wall Board to (2391) Top Front Back and (2559) Window Bottom with 4 (S1) #8 x 1-1/8" Wood Screws. (fig. 23.1)

C: In the centre of the opening measure 2" up from the bottom of (2559) Window Bottom and attach 2 (0606) CE Access Boards to (2391) Top Front Back and (2559) Window Bottom with 4 (S1) #8 x 1-1/8" Wood Screws per board. (fig. 23.1)

Fig. 23.1
Inside View



Wood Parts

- 2 x 0606 CE Access Board 1 x 6 x 19-3/4"
- 2 x 2406 Wall Board 1 x 5 x 19-3/4"

Hardware

- 16 x S1 #8 x 1-1/8" Wood Screw

Step 23: Front Window Wall Assembly

Part 2

D: Flush to the inside edge of each (2406) Wall Boards attach 1 (2409) Window Trim with 2 (S1) #8 x 1-1/8" Wood Screws per board. (fig. 23.2 and 23.3)

E: Flush to the outside edge of each (0606) CE Access Board attach 1 (2409) Window Trim with 2 (S1) #8 x 1-1/8" Wood Screw per board. (fig. 23.3)

Fig. 23.3
Outside View

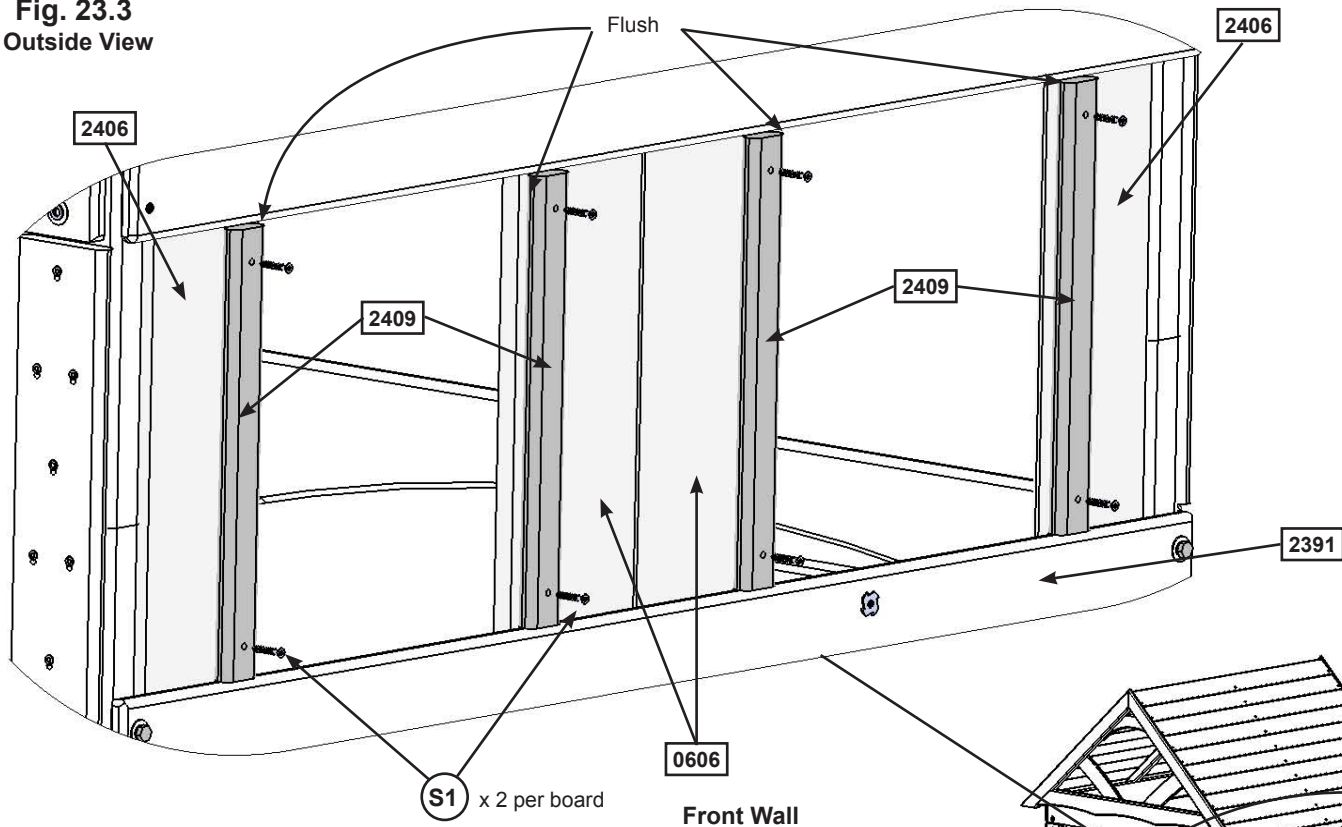
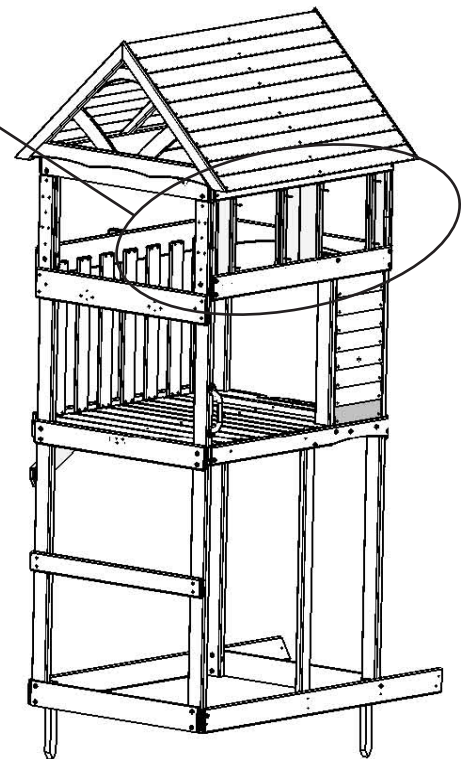


Fig. 23.2



Wood Parts

4 x **2409** Window Trim 1 x 2 x 13-3/8"

Hardware

8 x **S1** #8 x 1-1/8" Wood Screw

Step 24: Cafe Window Wall Assembly



A: In the centre of the Cafe Wall opening measure 3" down from the top of (0348) SL Ground and attach 2 (0850) CE Wall Boards to (0348) SL Ground and (2387) Side Arch with 4 (S1) #8 x 1-1/8" Wood Screws per board. (fig. 24.1 and 24.2)

B: Flush to the outside edge of each (0850) CE Wall Board attach 1 (2409) Window Trim with 2 (S1) #8 x 1-1/8" Wood Screws per board. (fig. 24.3)

Fig. 24.1

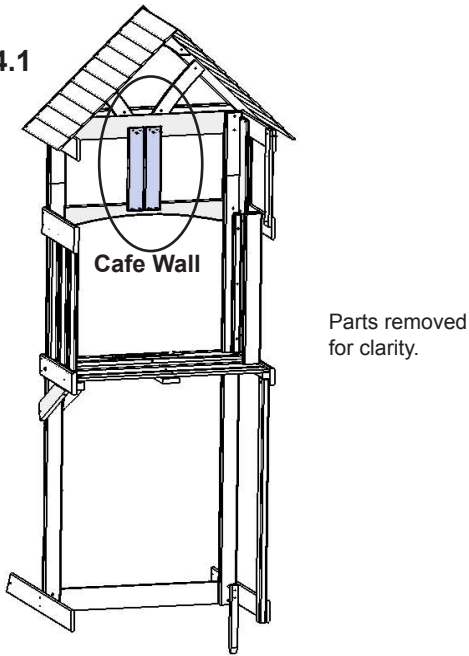


Fig. 24.2
Inside View

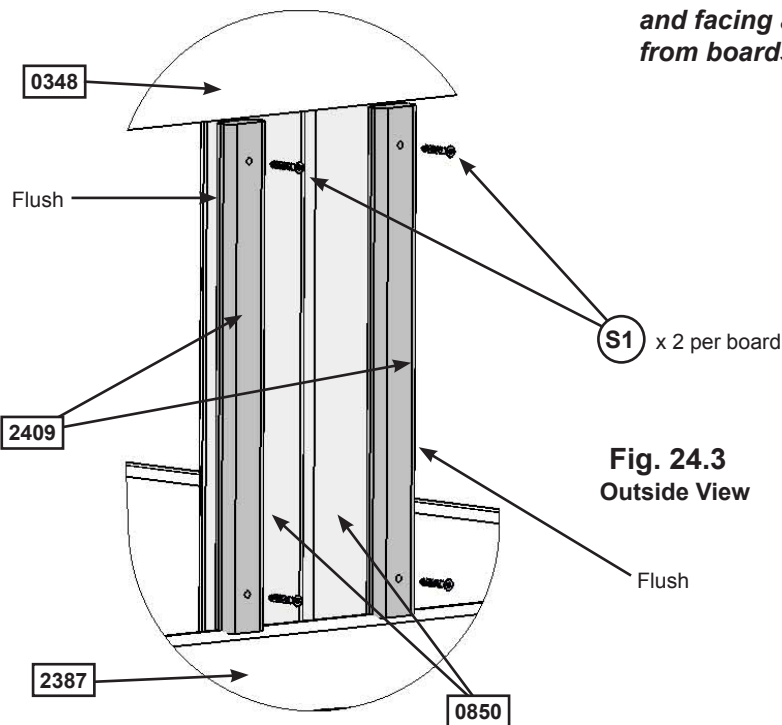
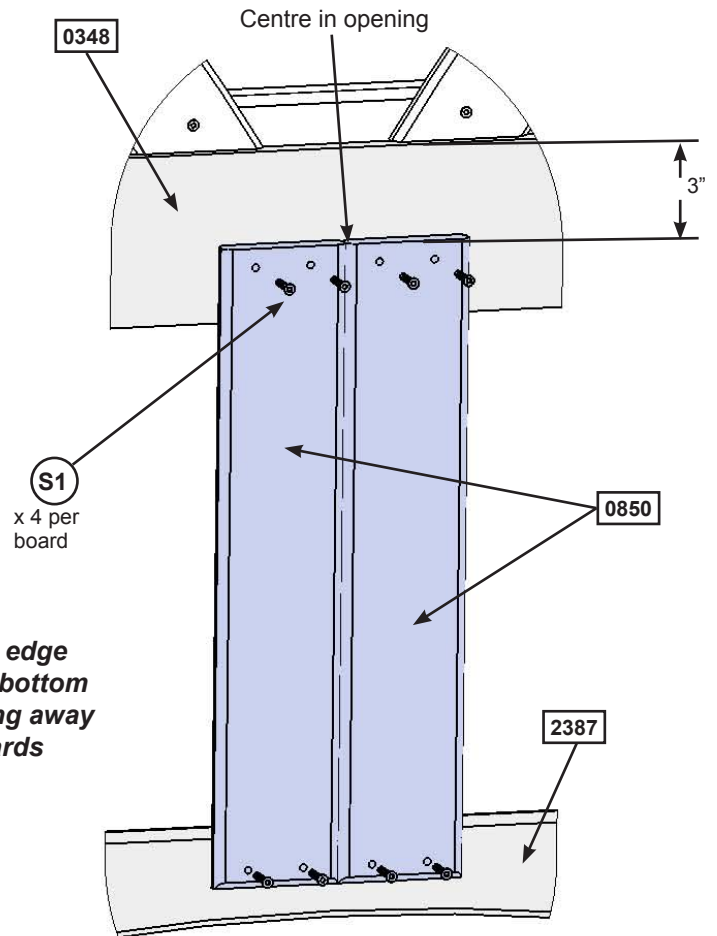


Fig. 24.3
Outside View

Wood Parts

- 2 x 0850 CE Wall Board 1 x 4 x 17"
- 2 x 2409 Window Trim 1 x 2 x 13-3/8"

Hardware

- 12 x S1 #8 x 1-1/8" Wood Screw

Step 25: Lower Swing Wall Assembly Part 1

A: Tight to the top of (2558) Ground Back and flush to the outside edges of both (2383) Posts on the Swing Wall side attach 6 (2413) CE Siding to each post with 2 (S0) #8 x 7/8" Truss Screws per board, as shown in fig. 25.1 and 25.2. Make sure there are no gaps between boards.

B: Tight to the top (2413) CE Siding and flush to outside edges of both (2383) Posts attach (2422) Lower Back to each post with 4 (S2) #8 x 1-1/2" Wood Screws. (fig. 25.2)

Fig. 25.1

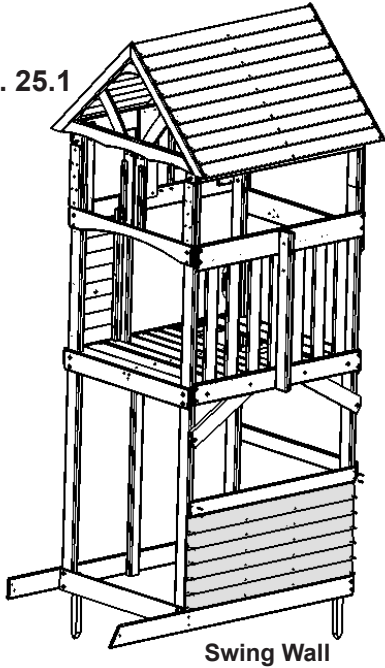
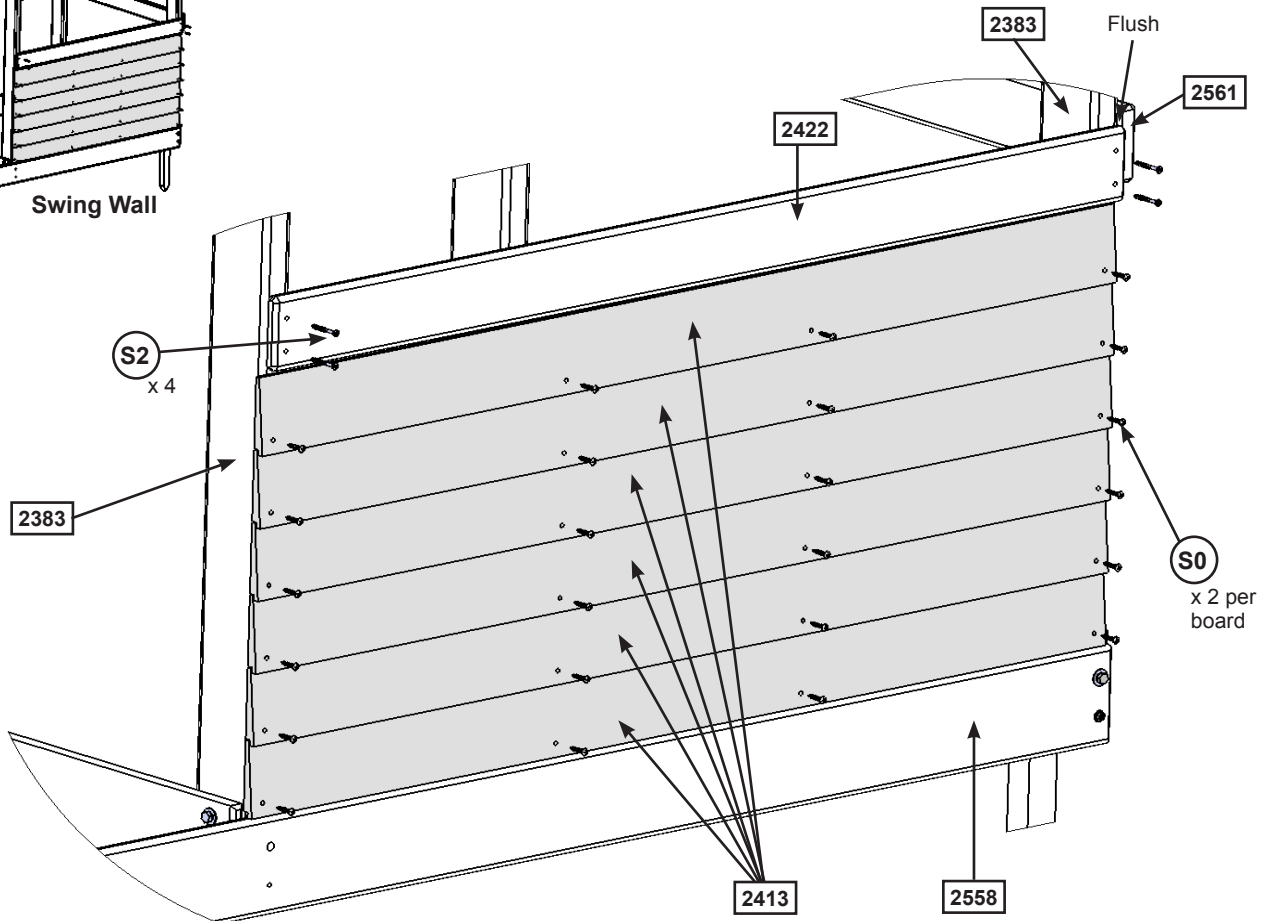


Fig. 25.2



Wood Parts

- 6 x [2413] CE Siding 3/8 x 3-1/2 x 46-5/8"
- 1 x [2422] Lower Back 1 x 4 x 46-1/2"

Hardware

- 4 x (S2) #8 x 1-1/2" Wood Screw
- 12 x (S0) #8 x 7/8" Truss Screw

Step 25: Lower Swing Wall Assembly Part 2



C: From inside the assembly measure 1-1/4" down from the top of (2422) Lower Back then place 2 (1858) Short Wall Supports over the pilot holes of the (2413) CE Siding then attach to (2422) Lower Back and (2558) Ground Back with 4 (S1) #8 x 1-1/8" Wood Screws per board. (fig. 25.3 and 25.4)

D: From outside of the assembly attach (1858) Short Wall Supports to each (2413) CE Siding with 2 (S0) #8 x 7/8" Truss Screws per siding. (fig. 25.5)

Fig. 25.3

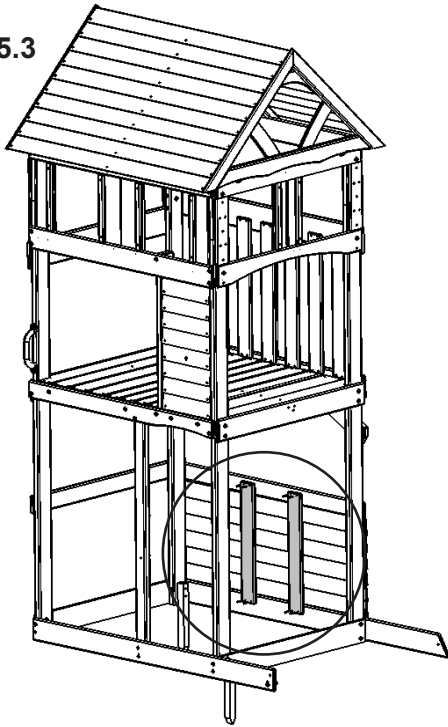


Fig. 25.4

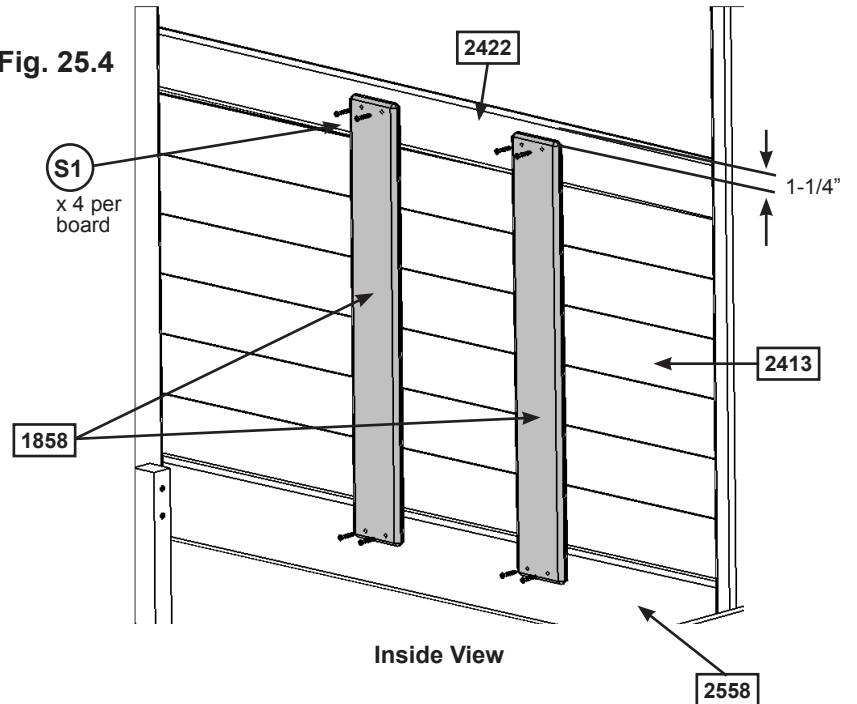
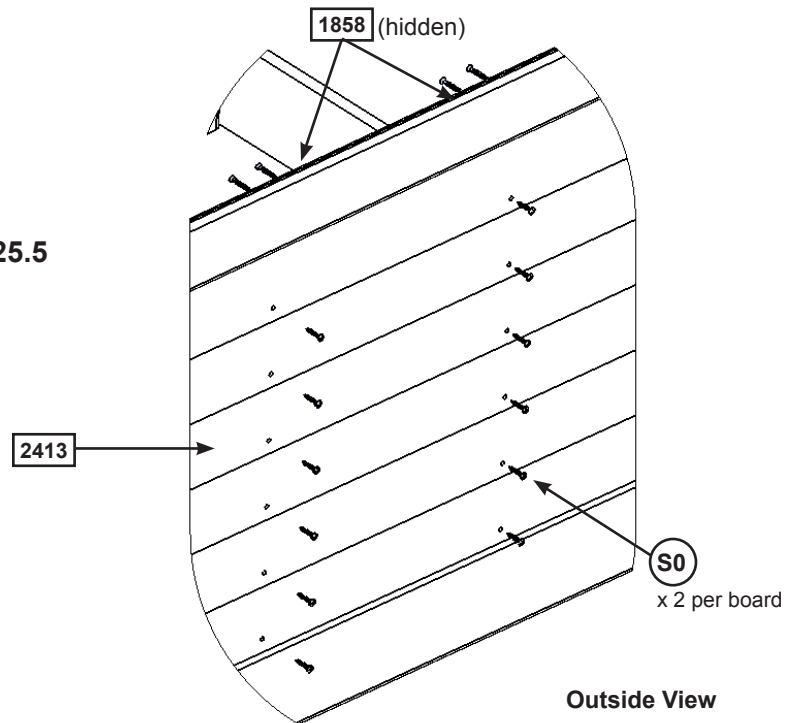


Fig. 25.5



Wood Parts

2 x 1858 Short Wall Support 1 x 4 x 24-1/4"

Hardware

8 x S1 #8 x 1-1/8" Wood Screw

12 x S0 #8 x 7/8" Truss Screw

Step 26: Lower Cafe Wall Assembly Part 1

A: Flush to the outside edge of (2383) Post and tight to the top of (0348) SL Ground attach (1808) Short Trim to (2383) Post with 3 (S2) #8 x 1-1/2" Wood Screws. (fig. 26.1 and 26.2)

B: Tight to top of (0348) SL Ground and tight to (1808) Short Trim attach 6 (1852) CE Siding to both (2383) Posts with 2 (S0) #8 x 7/8" Truss Screws per board. Make sure there are no gaps between boards. (fig. 26.1 and 26.2)

C: Tight to (1852) CE Siding and top of (0348) SL Ground attach 1 (1870) Trim Short to (2383) Post with 3 (S2) #8 x 1-1/2" Wood Screws. (fig 26.2)

Fig. 26.1

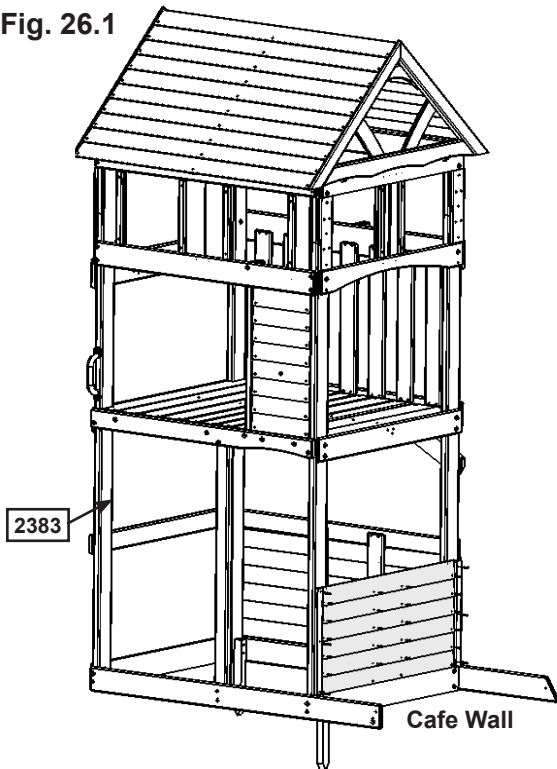
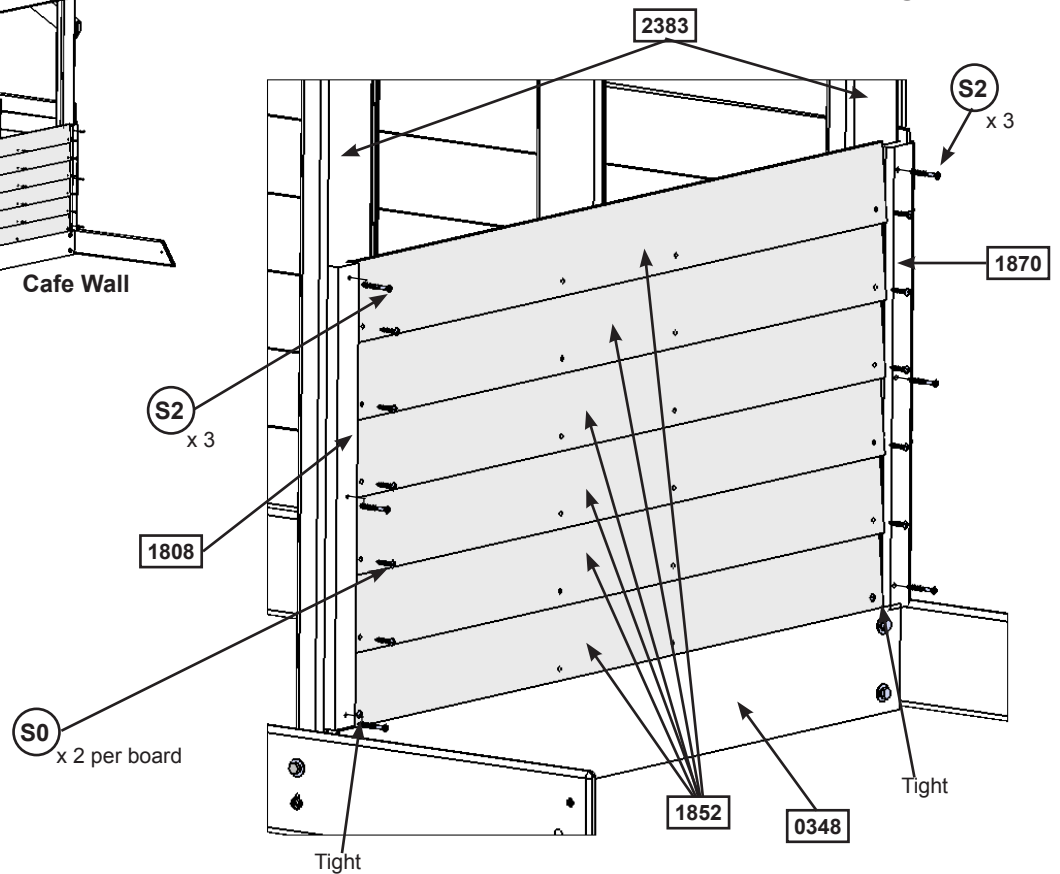


Fig. 26.2



Wood Parts

- 1 x (1870) Trim Short 1 x 2-1/2 x 19-5/8"
- 1 x (1808) Short Trim 1 x 2 x 19-5/8"
- 6 x (1852) CE Siding 3/8 x 3-1/2 x 36"

Hardware

- 12 x (S0) #8 x 7/8" Truss Screw
- 6 x (S2) #8 x 1-1/2" Wood Screw

Step 26: Lower Cafe Wall Assembly Part 2



D: Place (1868) Table Support flush to the angled edge of (0376) Table Top, as shown in fig. 26.3. The overhang should measure 3-3/8" on each side. Attach using 5 (S7) #12 x 2" Pan Screws.

E: Place Table Top Assembly tight to the top of (1852) CE Siding, (1808) Short Trim and (1870) Trim Short. Make sure (1868) Table Support is flush to the outside edges of both (2383) Posts then attach (1868) Table Support to each post with 2 (S3) #8 x 2-1/2" Wood Screws per post. (fig. 26.4 and 26.5)

Fig. 26.3

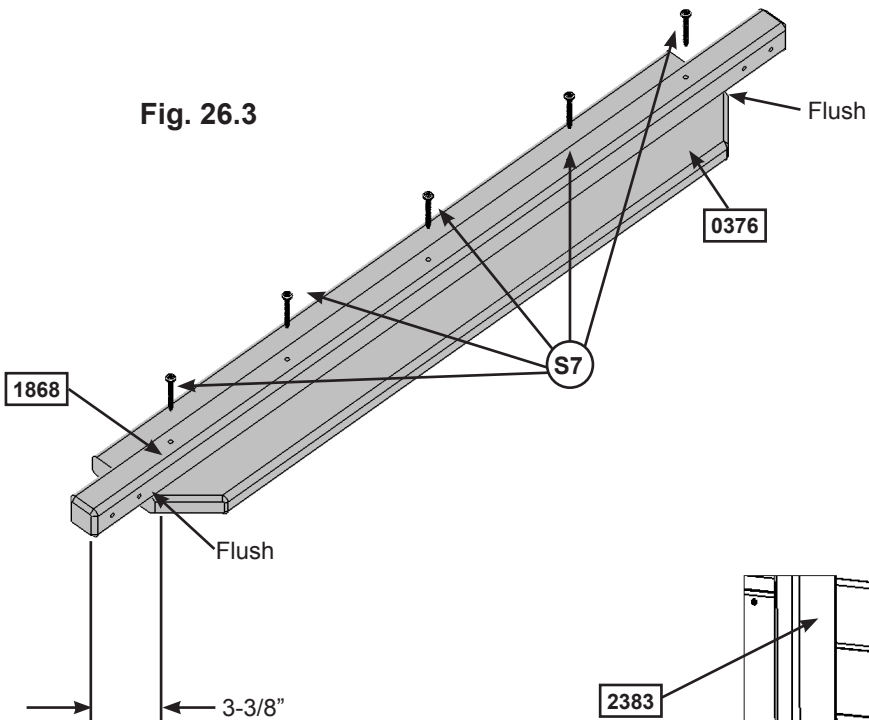


Fig. 26.4

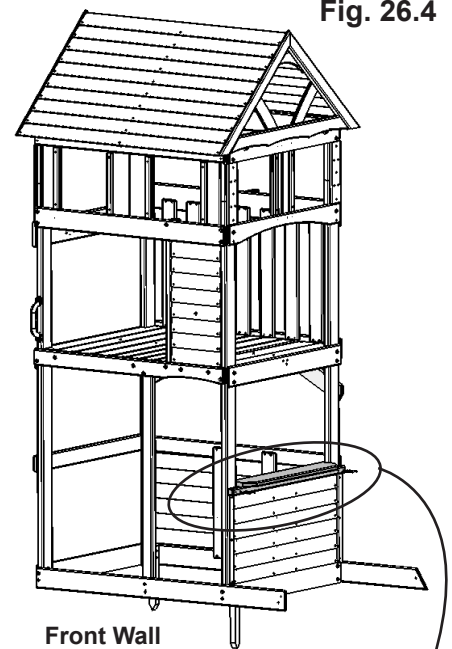
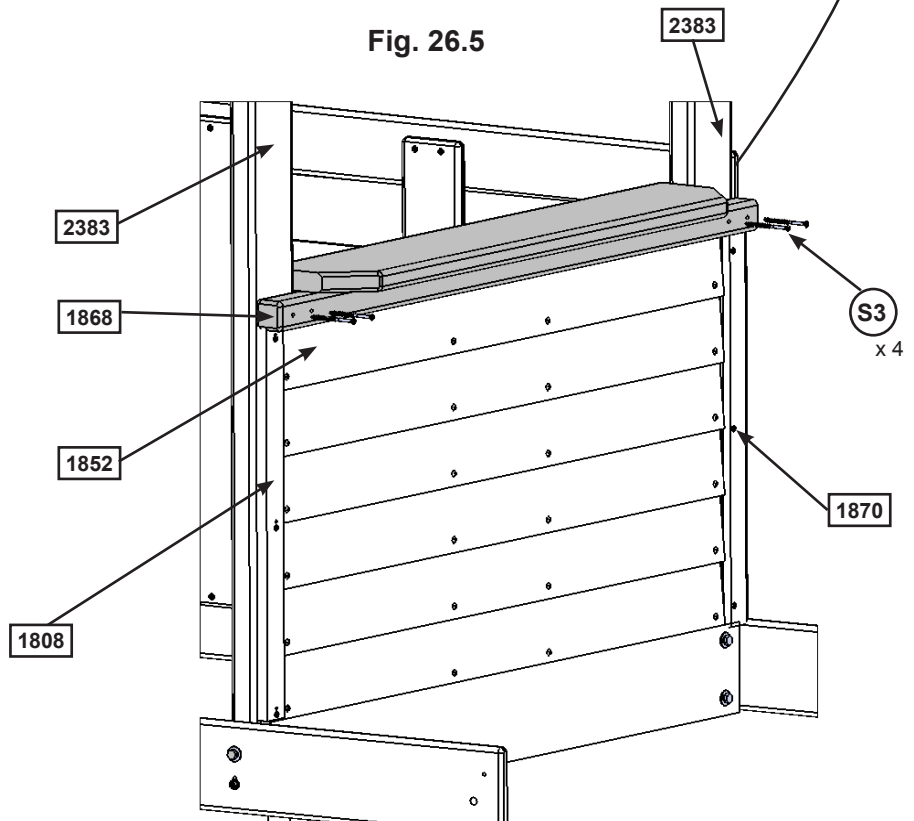


Fig. 26.5



Wood Parts

- 1 x 0376 Table Top 5/4 x 6 x 32"
- 1 x 1868 Table Support 2 x 2 x 38-3/4"

Hardware

- 4 x S3 #8 x 2-1/2" Wood Screw
- 5 x S7 #12 x 2" Pan Screw

Step 26: Lower Cafe Wall Assembly Part 3



F: From inside the assembly tight to the bottom of (0376) Table Top place 2 (1858) Short Wall Supports over the pilot holes of the (1852) CE Siding then attach to (1868) Table Support and (0348) SL Ground with 4 (S1) #8 x 1-1/8" Wood Screws per board. (fig. 26.6 and 26.7)

G: From outside of the assembly attach (1858) Short Wall Supports to each (1852) CE Siding with 2 (S0) #8 x 7/8" Truss Screws per siding. (fig. 26.8)

Fig. 26.6

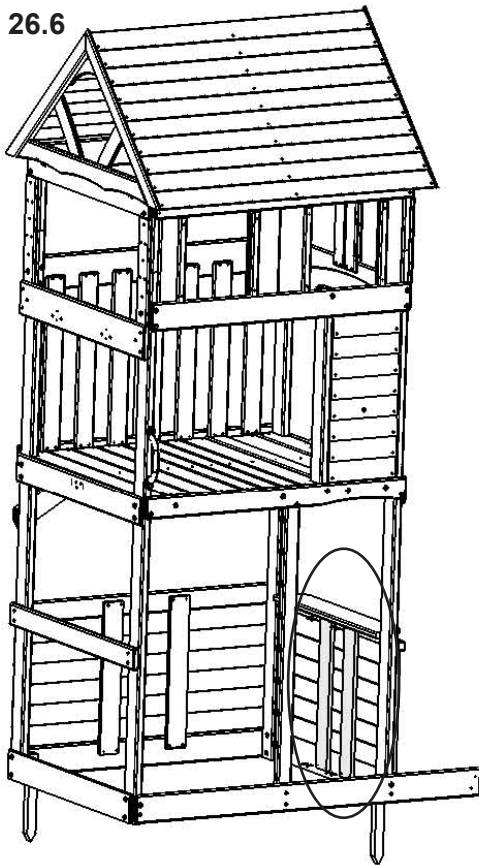


Fig. 26.7
Inside View

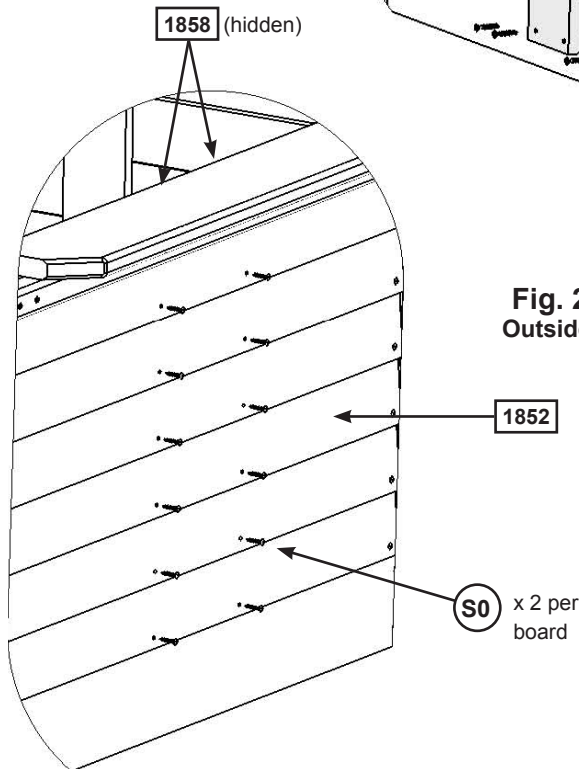
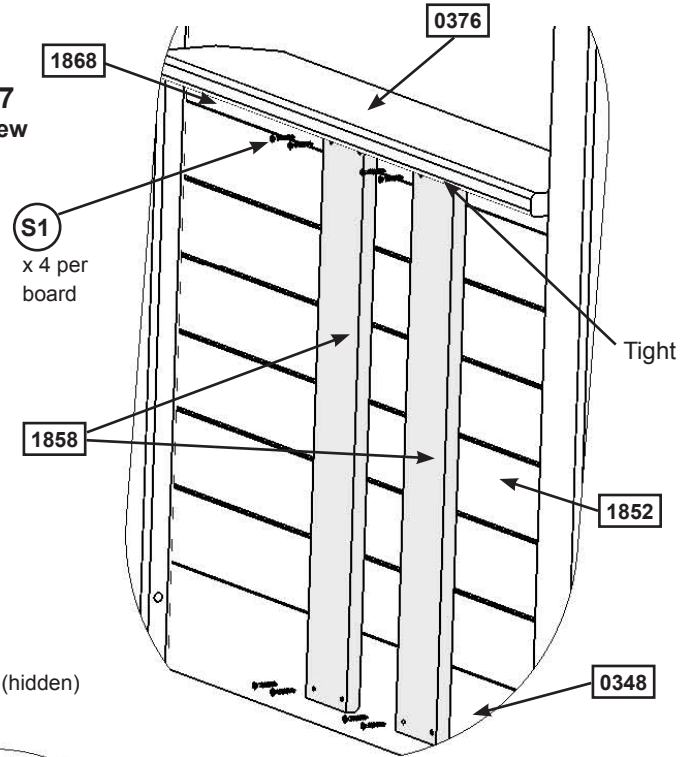


Fig. 26.8
Outside View

Wood Parts

2 x 1858 Short Wall Support 1 x 4 x 24-1/4"

Hardware

8 x S1 #8 x 1-1/8" Wood Screw

12 x S0 #8 x 7/8" Truss Screw

Step 26: Lower Cafe Wall Assembly Part 4



Note: Pre-drill all holes using a 1/8" drill bit before installing the lag screws.

H: Tight to the bottom of (2371) Floor End, place (2387) Side Arch flush to the outside edges of each (2383) Post then attach with 2 (LS1) 1/4 x 1-1/2" Lag Screws (with flat washer) in the top holes. (fig. 26.9 and 26.10)

I: Attach (2387) Side Arch to (2383) Posts in the bottom holes with 2 (S2) #8 x 1-1/2" Wood Screws. (fig. 26.10)

Fig. 26.9

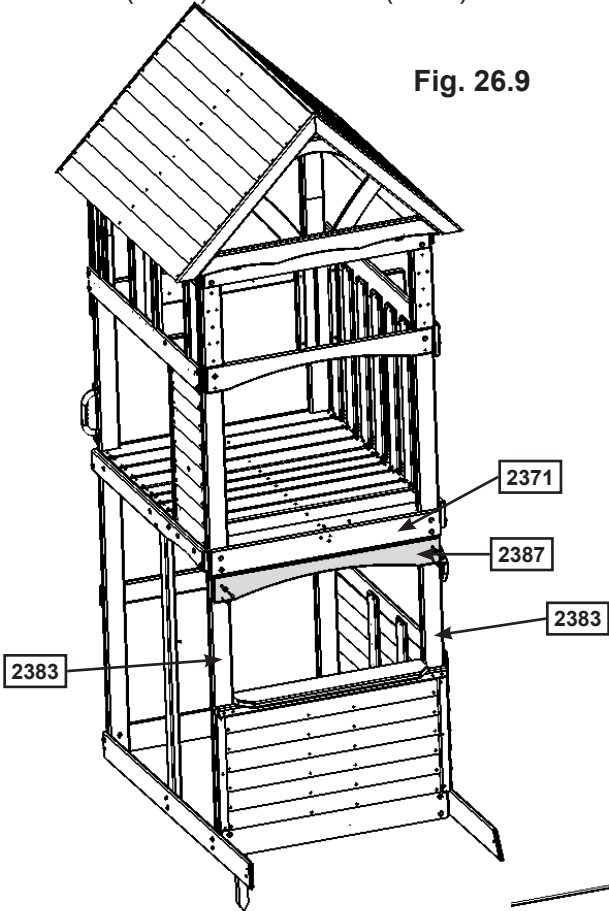
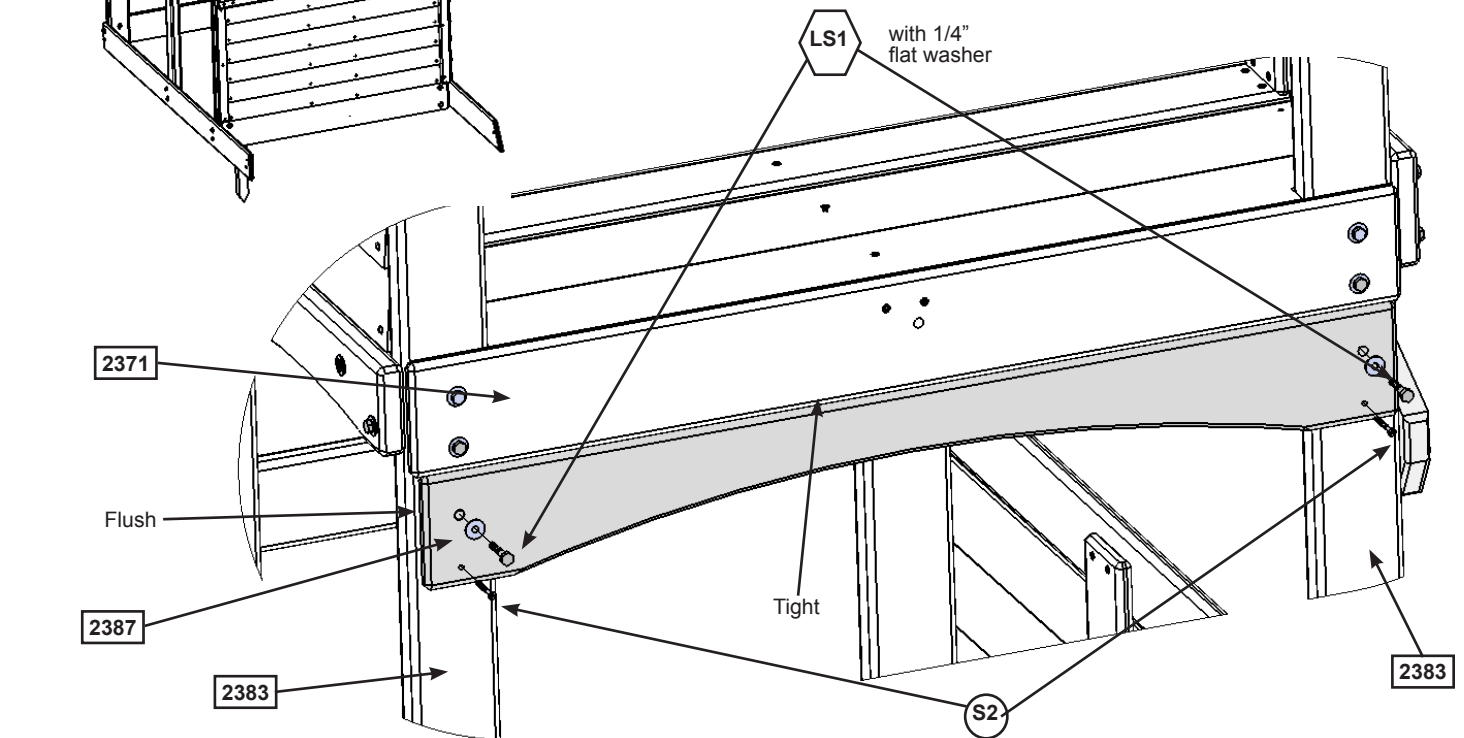


Fig. 26.10



Wood Parts

1 x 2387 Side Arch 1 x 5 x 38-1/4"

Hardware

2 x LS1 1/4 x 1-1/2" Lag Screw (1/4" flat washer)

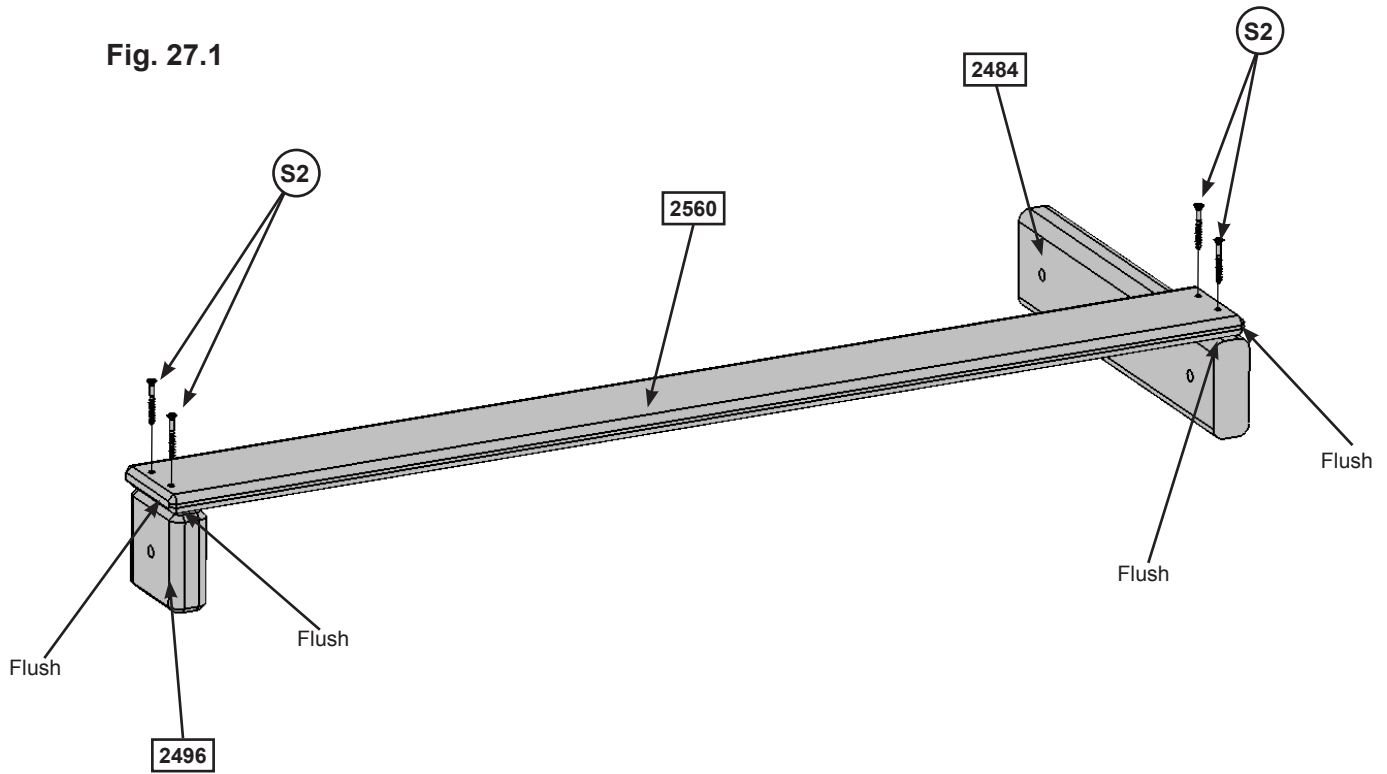
2 x S2 #8 x 1-1/2" Wood Screw

Step 27: Bench Assembly

Part 1

A: Attach (2560) Lower Bench flush to the top and outside edges of 1 (2496) Seat Block and 1 (2484) Bench Leg with 4 (S2) #8 x 1-1/2" Wood Screws, as shown in fig. 27.1.

Fig. 27.1



Wood Parts

- 1 x **2496** Seat Block 2 x 4 x 3-1/4"
- 1 x **2560** Lower Bench 1 x 4 x 37-5/8"
- 1 x **2484** Bench Leg 2 x 4 x 13-1/2"

Hardware

- 4 x **(S2)** #8 x 1-1/2" Wood Screw

Step 27: Bench Assembly

Part 2



Pre-drill all holes using a 1/8" drill bit before installing the Lag Screw.

B: Attach (2491) Diagonal to (2558) Ground Back with 1 (H2) 1/4 x 2" Hex Bolt (with lock washer, flat washer and t-nut) and to (2383) Post with 1 (LS1) 1/4 x 1-1/2" Lag Screw (with flat washer) (fig. 27.2)

C: Drive 1 (0318) Ground Stake 10-1/2" into the ground tight to (2491) Diagonal and attach using 2 (S3) #8 x 2-1/2" Wood Screws. (fig. 27.3)

⚠WARNING: To prevent tipping and avoid potential injury, stakes must be driven 10-1/2" into ground. Digging or driving stakes can be dangerous if you do not check first for underground wiring, cables or gas lines.

Fig. 27.2

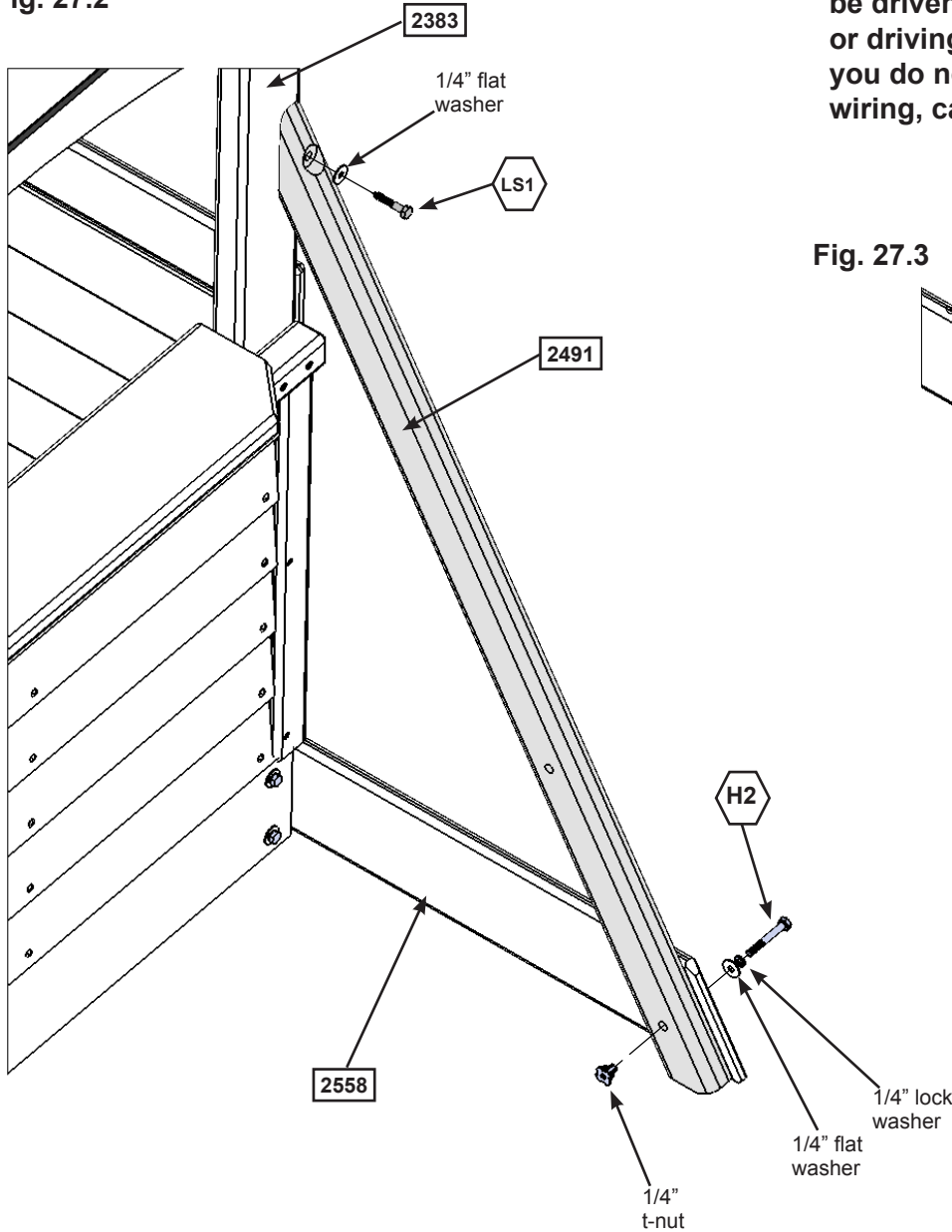
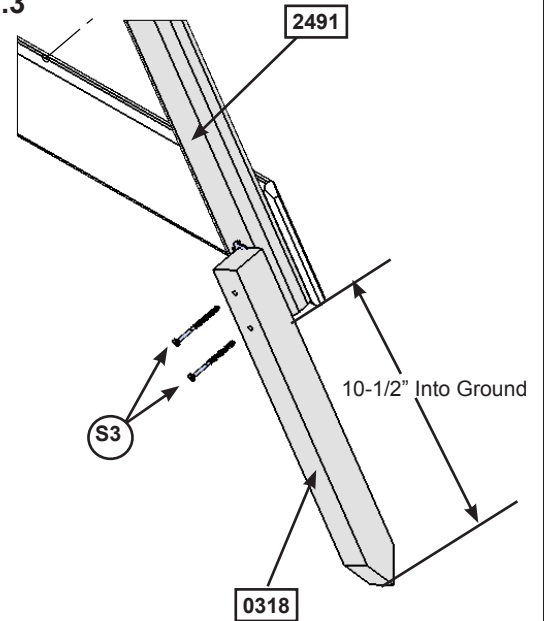


Fig. 27.3



Wood Parts

- 1 x **2491** Diagonal 2 x 3 x 42-1/4"
- 1 x **0318** Ground Stake 1-1/4 x 1-1/2 x 14"

Hardware

- 2 x **S3** #8 x 2-1/2" Wood Screw
- 1 x **H2** 1/4 x 2" Hex Bolt (1/4" lock washer, 1/4" flat washer, 1/4" t-nut)
- 1 x **LS1** 1/4 x 1-1/2" Lag Screw (1/4" flat washer)

Step 27: Bench Assembly

Part 3

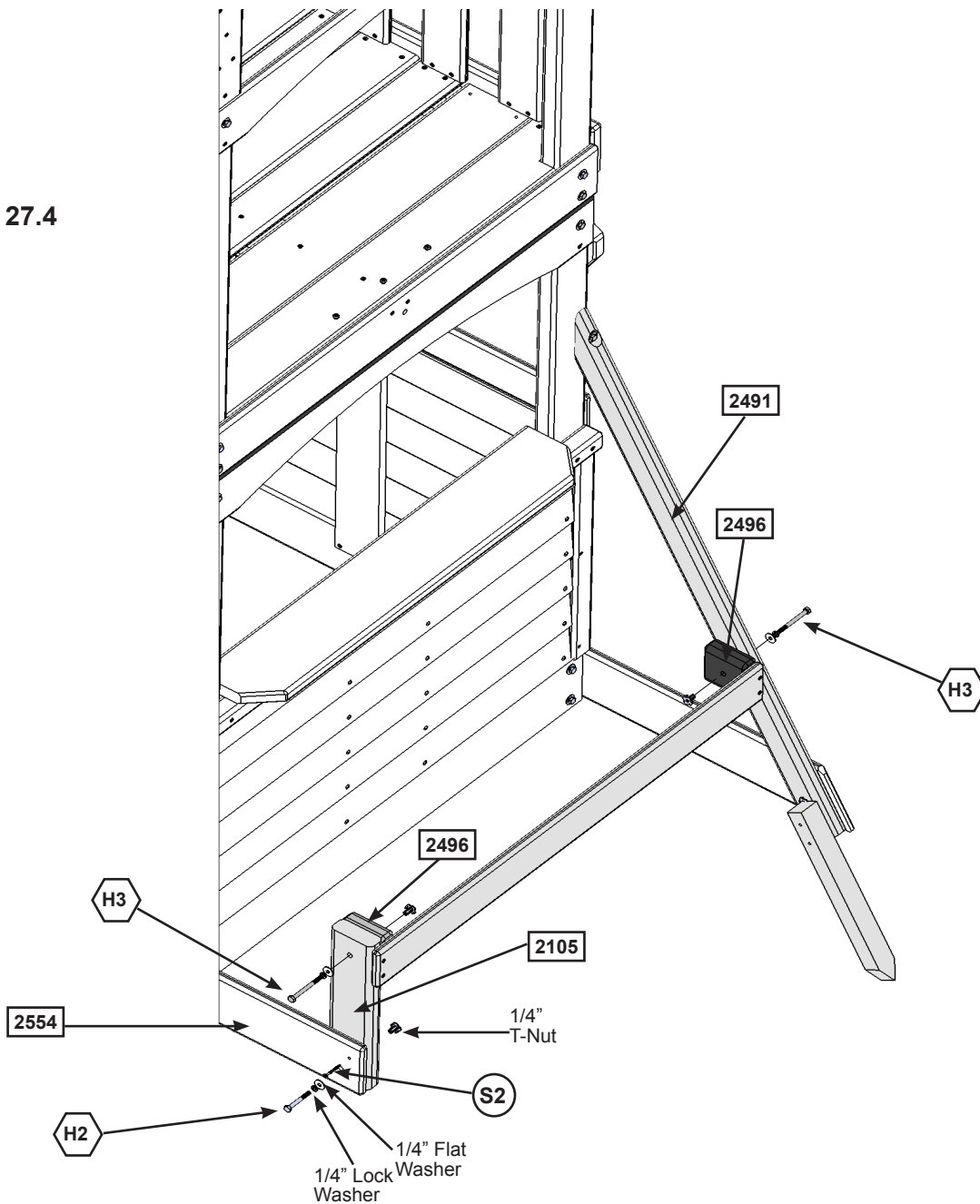


D: Attach (2484) Bench Leg to (2554) Front Ground with 1 (H2) 1/4 x 2" Hex Bolt (with lock washer, flat washer and t-nut) and 1 (S2) #8 x 1-1/2" Wood Screw. (fig. 27.4)

E: Attach (2496) Seat Block to (2491) Diagonal with 1 (H3) 1/4 x 2-1/2" Hex Bolt (with lock washer, flat washer and t-nut). (fig. 27.4)

F: Attach a second (2496) Seat Block flush to the top and edges of (2484) Bench Leg with 1 (H11) 1/4 x 2-3/4" Hex Bolt (with lock washer, flat washer and t-nut). (fig. 27.4)

Fig. 27.4



Wood Parts

1 x [2496] Seat Block 2 x 4 x 3-1/4"

Hardware

1 x (S2) #8 x 1-1/2" Wood Screw

1 x (H2) 1/4 x 2" Hex Bolt (1/4" lock washer, 1/4" flat washer, 1/4" t-nut)

2 x (H3) 1/4 x 2-1/2" Hex Bolt (1/4" lock washer, 1/4" flat washer, 1/4" t-nut)

Step 27: Bench Assembly Part 4



Pre-drill all holes using a 1/8" drill bit before installing the Wood Screws.

G: Place flat end of (2562) Bench Top tight to (2491) Diagonal and flush to the outside edge of each (2496) Seat Block, pre-drill with a 1/8" drill bit then attach (2562) Bench Top to (2496) Seat Blocks and (2560) Lower Bench with 4 (S4) #8 x 3" Wood Screws. (fig. 27.5 and 27.6)

Fig. 27.5
Top View

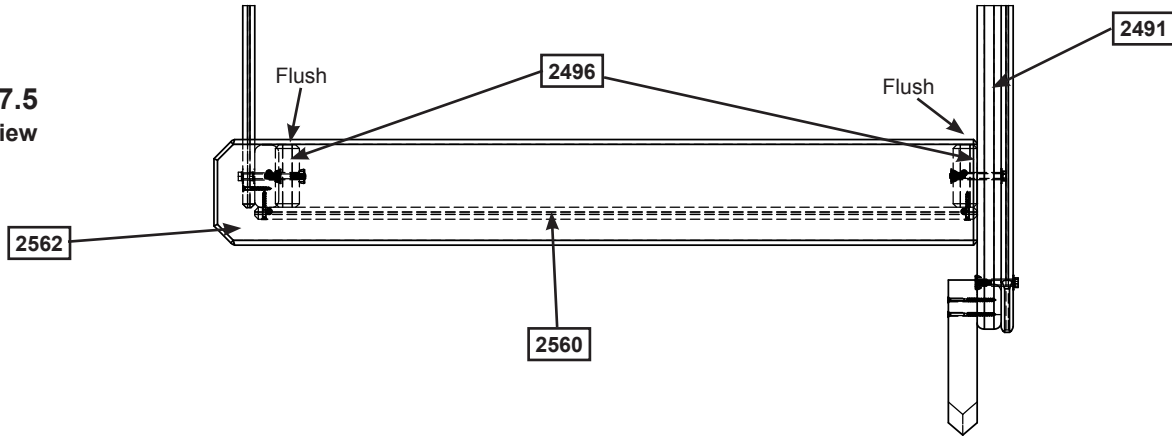
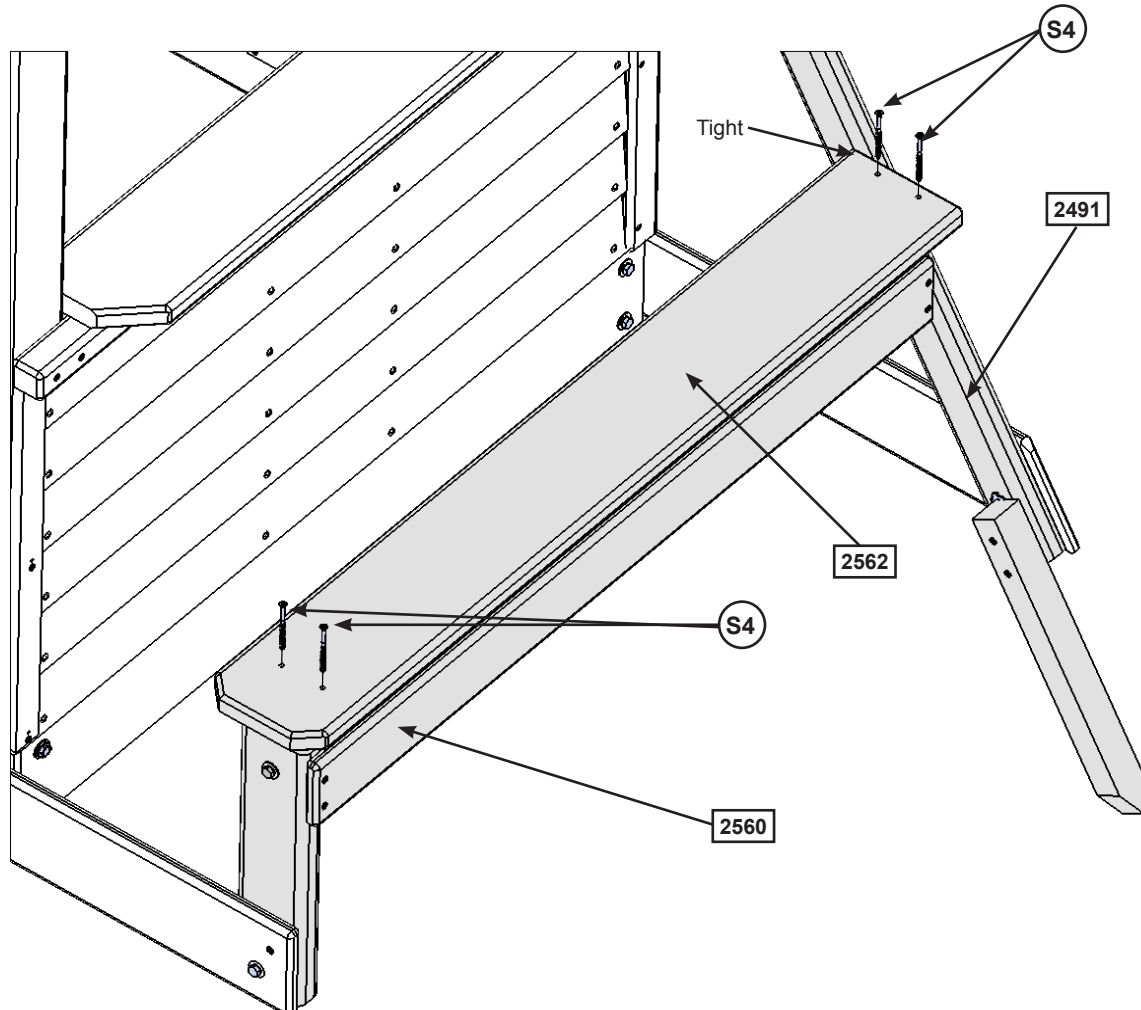


Fig. 27.6



Wood Parts

1 x [2562] Bench Top 5/4 x 6 x 39-3/4"

Hardware

4 x (S4) #8 x 3" Wood Screw

Step 28: Attach Slide to Fort (Slide Sold Separately)



A: Place Slide in the opening of the Cafe Wall, centred between (2383) Posts. (fig. 28.1 and 28.2)

B: Place 2 (0620) SL Braces tight to the underside of (1853) Cedar Gap Board and (2371) Floor End and centred between (0790) Floor Joist and each (2383) Post. Attach slide through (1853) Cedar Gap Board and into each (0620) SL Brace with 2 (S7) #12 x 2" Pan Screws and into (0790) Floor Joist with 1 (S6) #12 x 1" Pan Screw (in the centre hole). (fig. 28.2 and 28.3)

Fig. 28.1

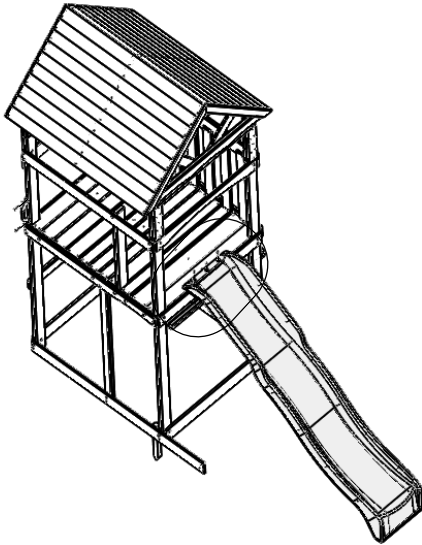


Fig. 28.3
Top View

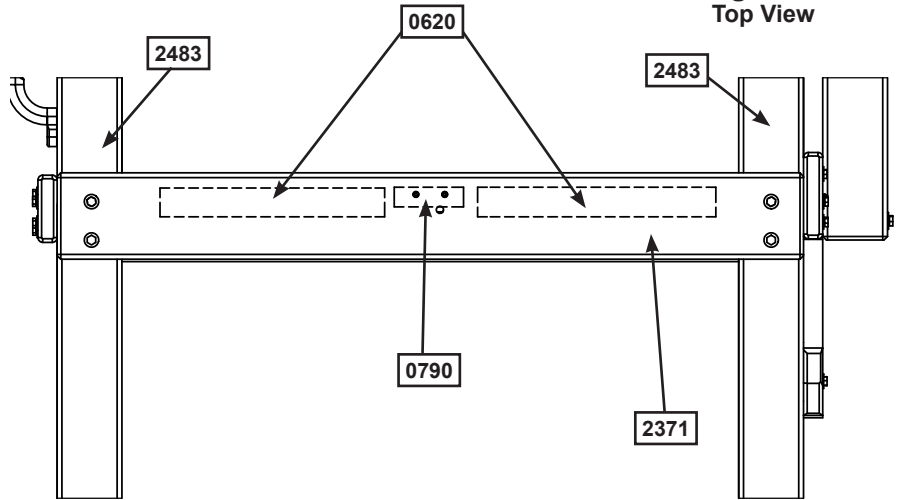
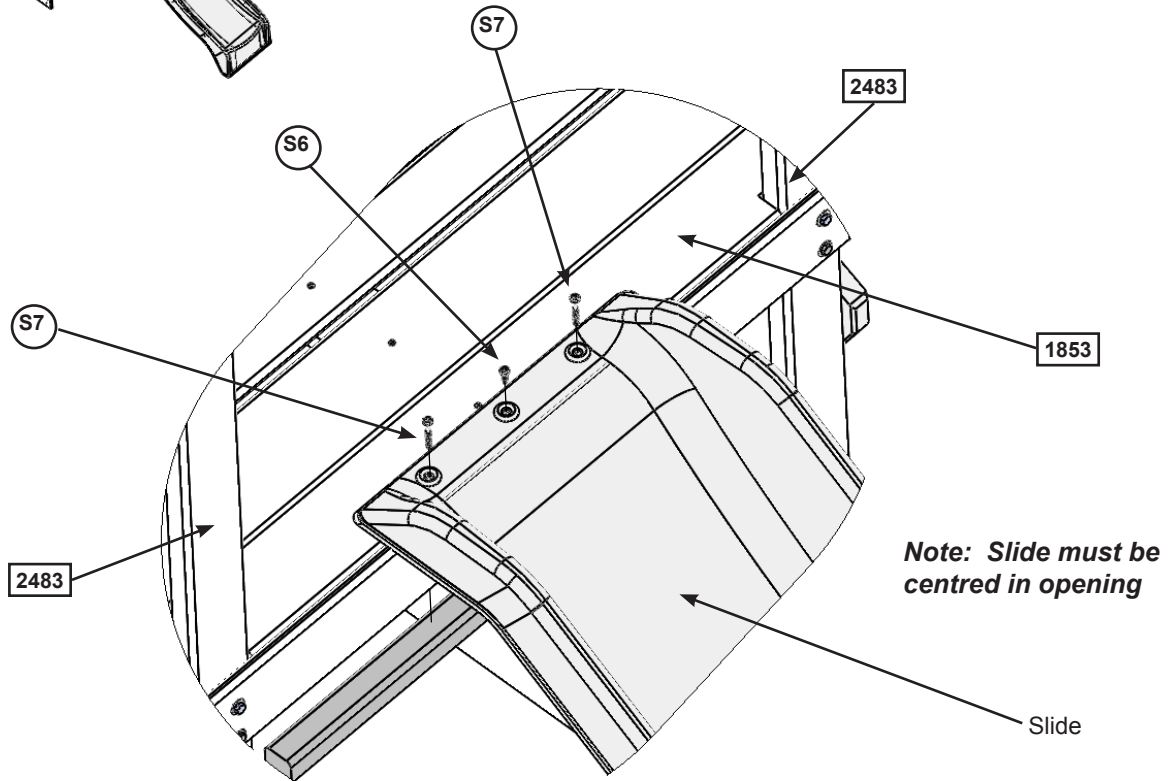


Fig. 28.2



Wood Parts

2 x 0620 SL Brace 2 x 2 x 12-1/2"

Hardware

2 x S7 #12 x 2" Pan Screw

1 x S6 #12 x 1" Pan Screw

Other Parts

1 x Slide
(sold separately)

Step 29: Lower Front Wall Assembly Part 1



A: On the Front Wall measure 20-3/8" up from (2554) Front Ground then place (5265) Cedar Wall flush to outside edge of (2383) Post at measured location. Attach (5265) Cedar Wall to (2383) Post and (2377) Lower Post with 4 (S2) #8 x 1-1/2" Wood Screws. (fig. 29.1 and 29.2)

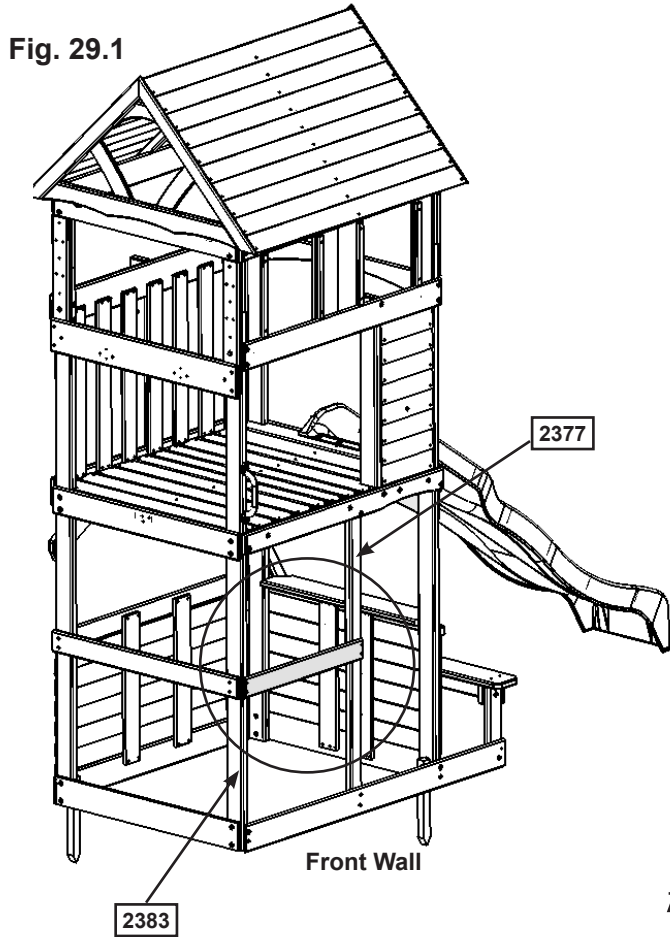
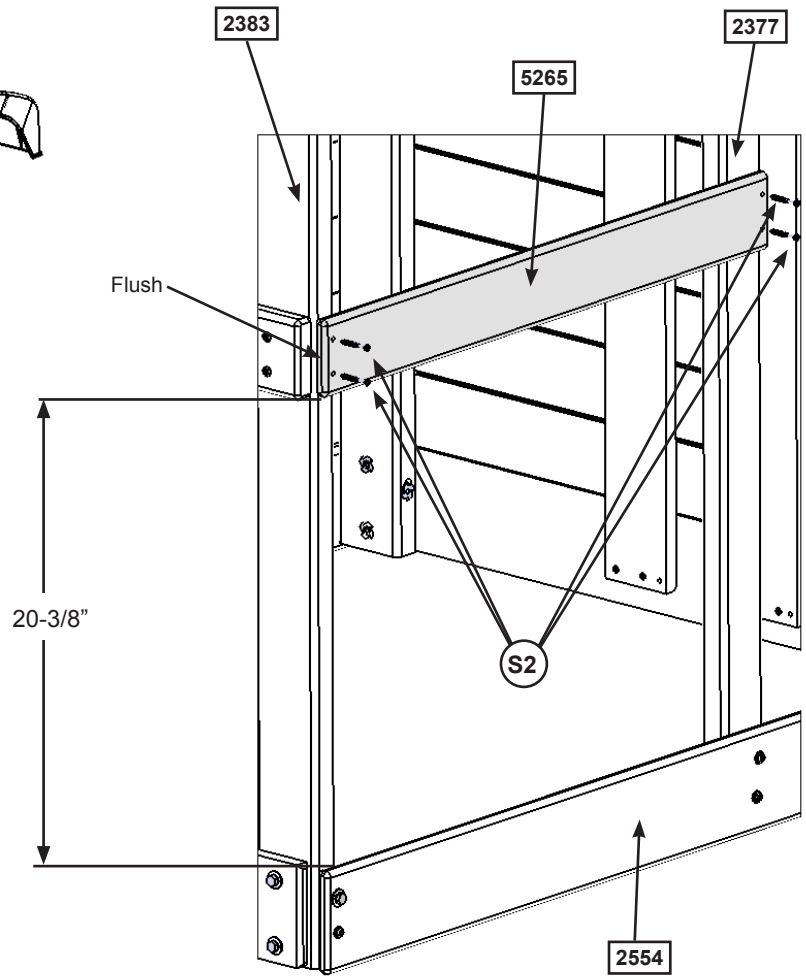


Fig. 29.2



Wood Parts

1 x 5265 Cedar Wall 1 x 4 x 28"

Hardware

4 x S2 #8 x 1-1/2" Wood Screw

Step 29: Lower Front Wall Assembly Part 2

B: Tight to the top of (2554) Front Ground and flush to the outside edge of (2383) Post evenly space and attach 6 (2556) CE Siding to (2383) Post and (2377) Lower Post with 2 (S0) #8 x 7/8" Truss Screws per board, as shown in fig. 29.3 and 29.4. Make sure there are no gaps between boards.

C: Tight to the bottom of (2350) Front Floor and flush to the outside edge of (2383) Post attach 6 (2556) CE Siding to (2383) Post and (2377) Lower Post with 2 (S0) #8 x 7/8" Truss Screws per board, as shown in fig. 29.3 and 29.4. Make sure there are no gaps between boards.

Fig. 29.3

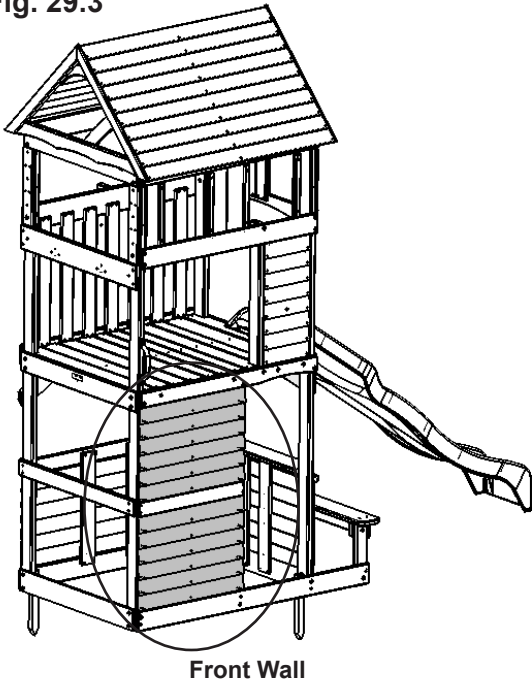
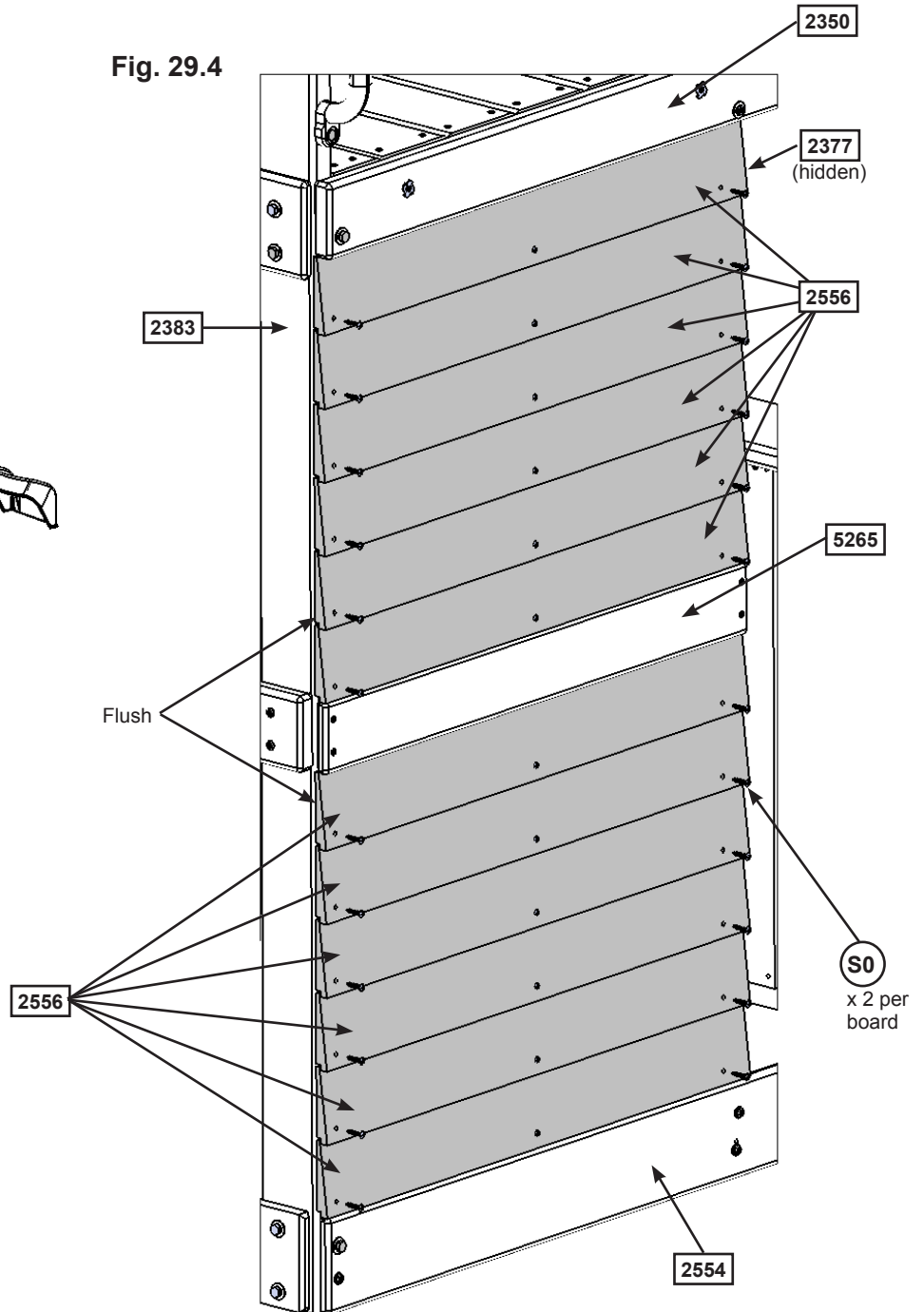


Fig. 29.4



Wood Parts

12 x **2556** CE Siding 3/8 x 3-1/2 x 28"

Hardware

24 x **(S0)** #8 x 7/8" Truss Screw

Step 29: Lower Front Wall Assembly Part 3

D: From inside the assembly flush to the bottom of (2554) Front Ground place 1 (2408) Wall Support centred over the pilot holes of the siding then attach to (2350) Front Floor and (2554) Front Ground with 4 (S1) #8 x 1-1/8" Wood Screws per board. (fig. 29.5)

E: From outside the assembly attach (2408) Wall Support to each (2556) CE Siding with 1 (S0) #8 x 7/8" Truss Screw per siding. (fig. 29.6)

Fig. 29.5
Inside View

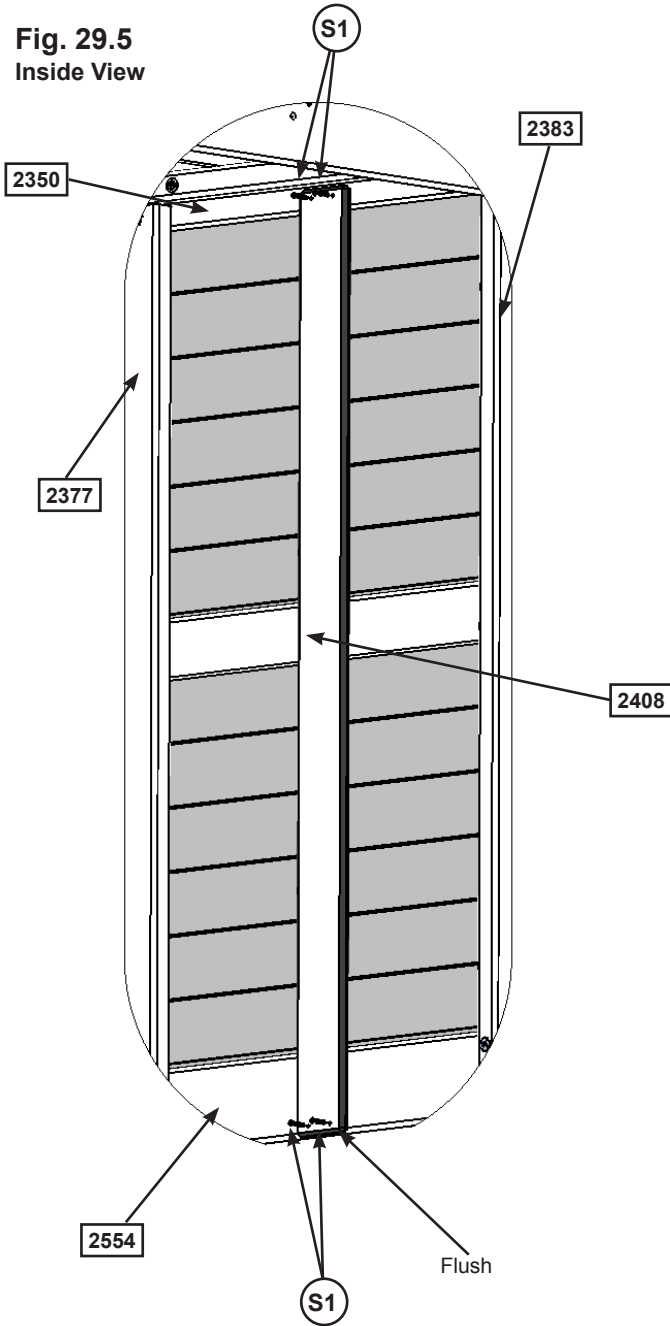
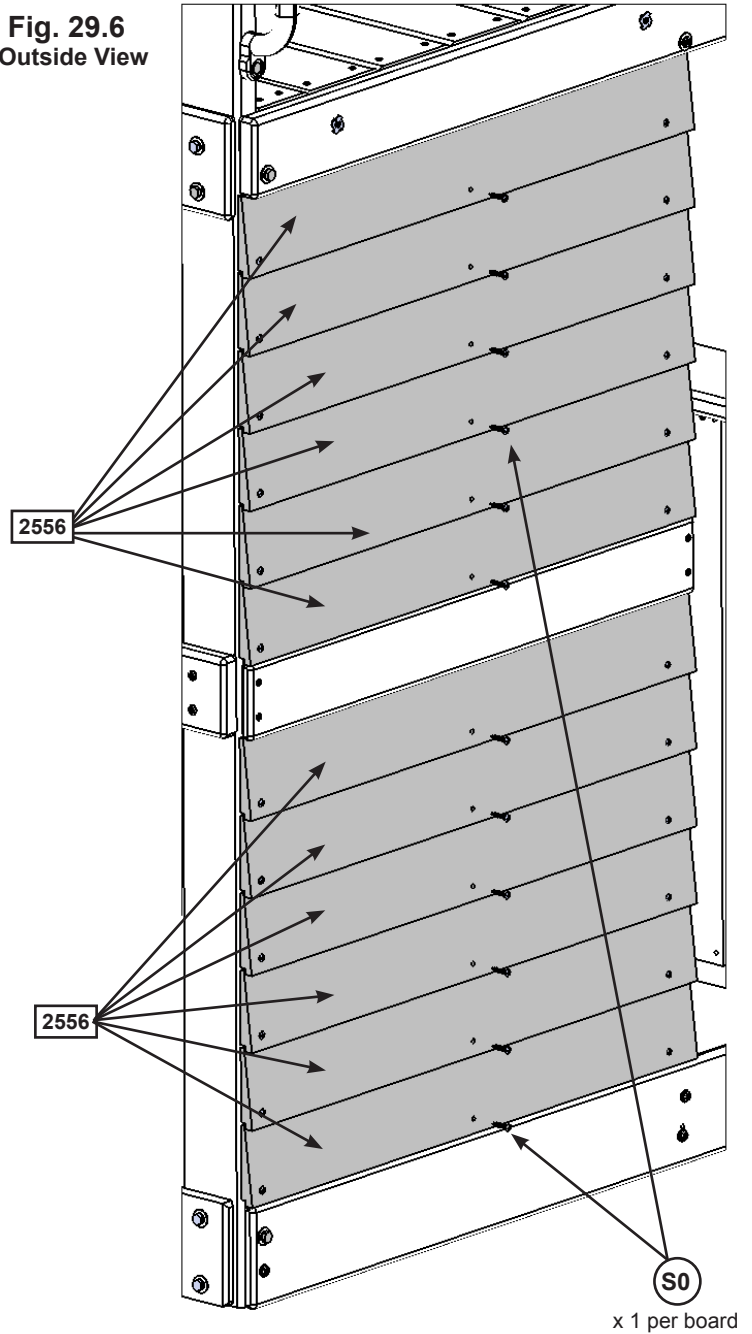


Fig. 29.6
Outside View



Wood Parts

1 x 2408 Wall Support 1 x 4 x 49-3/4"

Hardware

4 x S1 #8 x 1-1/8" Wood Screw

12 x S0 #8 x 7/8" Wood Screw

Step 30: Attach Door to Fort Part 1



A: In the opening for the door between (2383) Post and (2377) Lower Post, measure 5/8" up from the top of (2554) Front Ground then attach the Door Hinges on the Door Assembly from Step 6 to (2383) Post with 3 (S13) #6 x 5/8" Pan Screws per hinge. (fig. 30.1, 30.2 and 30.3)

Fig. 30.1

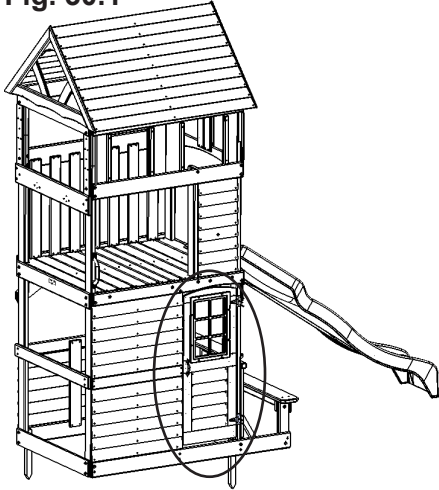
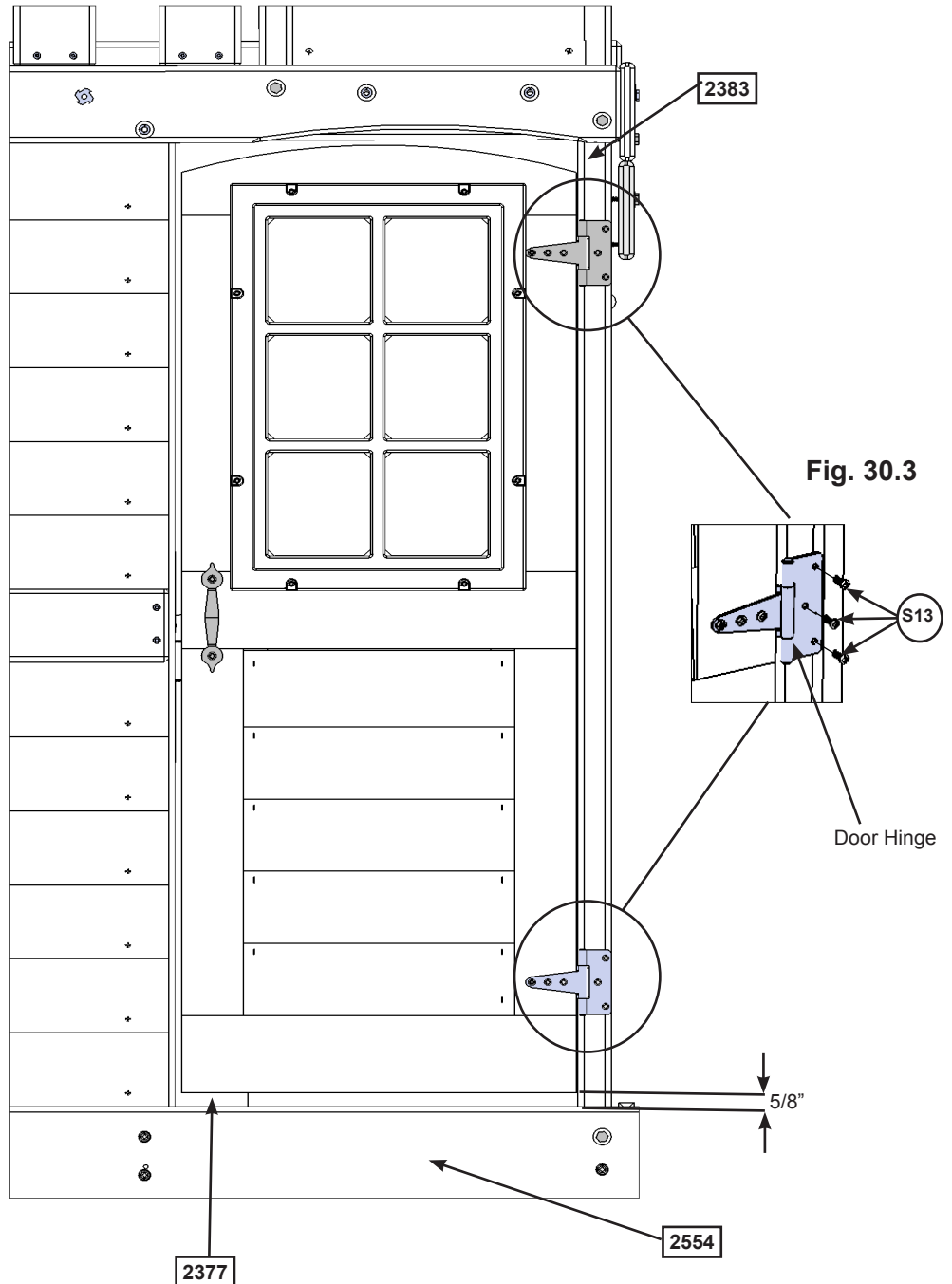


Fig. 30.2



Hardware

6 x (S13) #6 x 5/8" Pan Screw

Step 30: Attach Door to Fort Part 2



B: From inside the fort place (2107) Door Stop against (2377) Lower Post so there is a 1" overhang and the notched out opening is lined up with the Catch Plate then attach with 3 (S15) #8 x 1-3/4" Wood Screws. (fig. 30.4 and 30.5)

C: In the notched out opening of (2107) Door Stop attach the Magnetic Catch using 2 (S18) #6 x 1" Wood Screws. (fig. 30.6) **Important: Use a hand held screw driver and DO NOT over tighten.**

Fig. 30.4

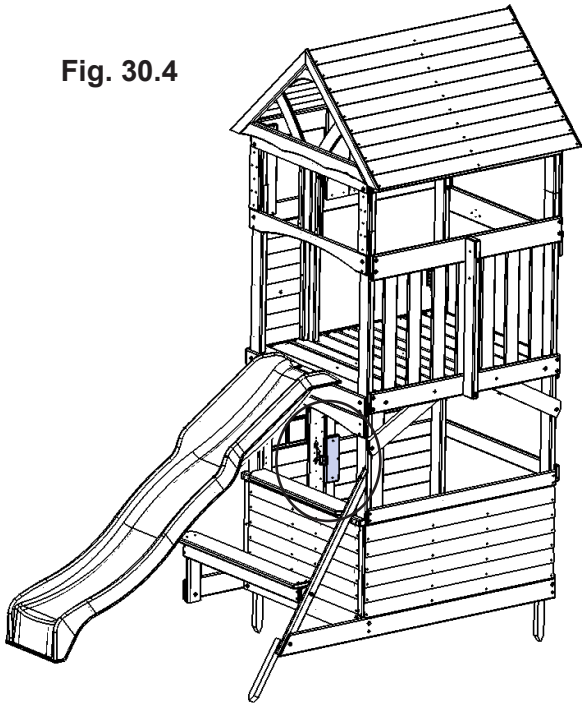


Fig. 30.6
Inside View

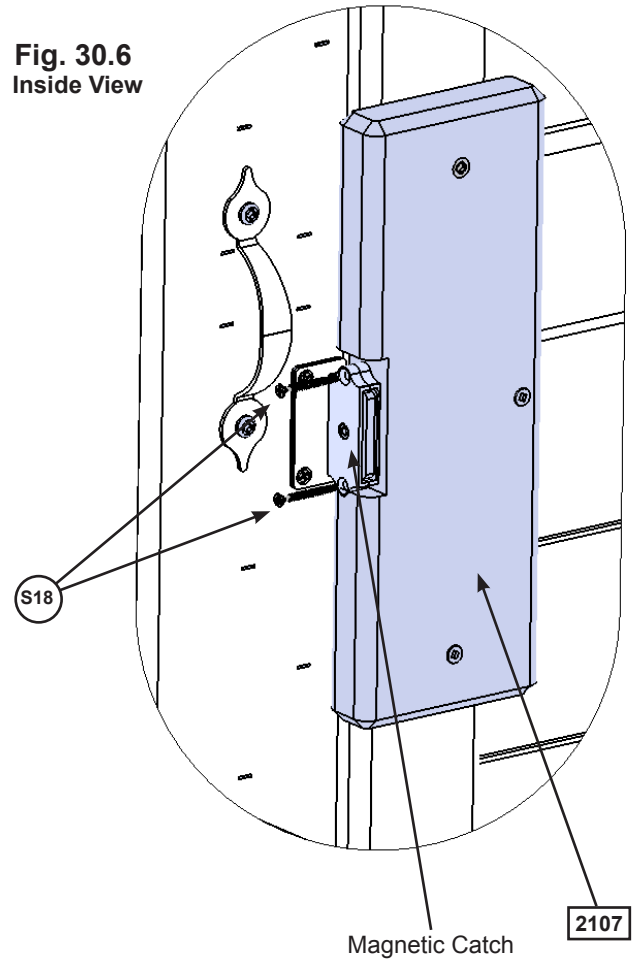
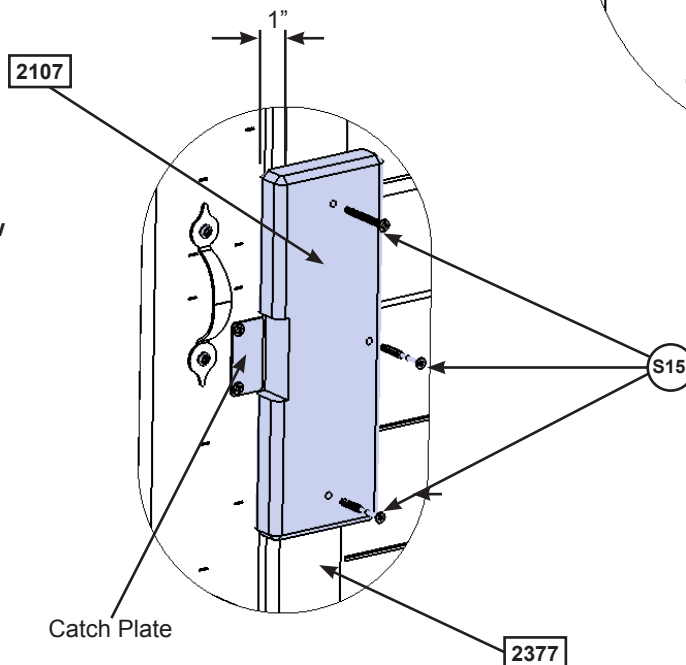


Fig. 30.5
Inside View



Wood Parts

1 x 2107 Door Stop 5/4 x 4 x 10"

Hardware

3 x S15 #8 x 1-3/4" Wood Screw
2 x S18 #6 x 1" Wood Screw

Other Parts

1 x Magnetic Catch

Step 31: Attach Windows and Clock Part 1



A: On the outside of the assembly measure 3/4" down from the top of (2387) Side Arch and (2559) Window Bottom then place four 6-Pane Arch Top Windows in the window gaps on the Front and Cafe Walls and attach with 8 (S13) #6 x 5/8" Pan Screws per window. (fig. 31.1 and 31.2)

Fig. 31.1

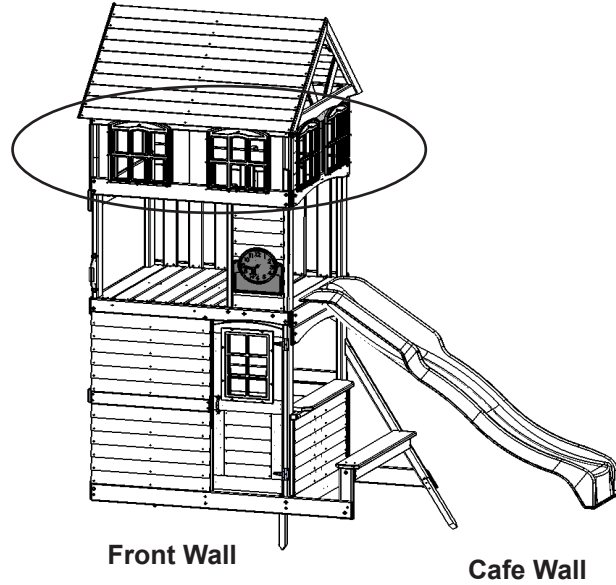
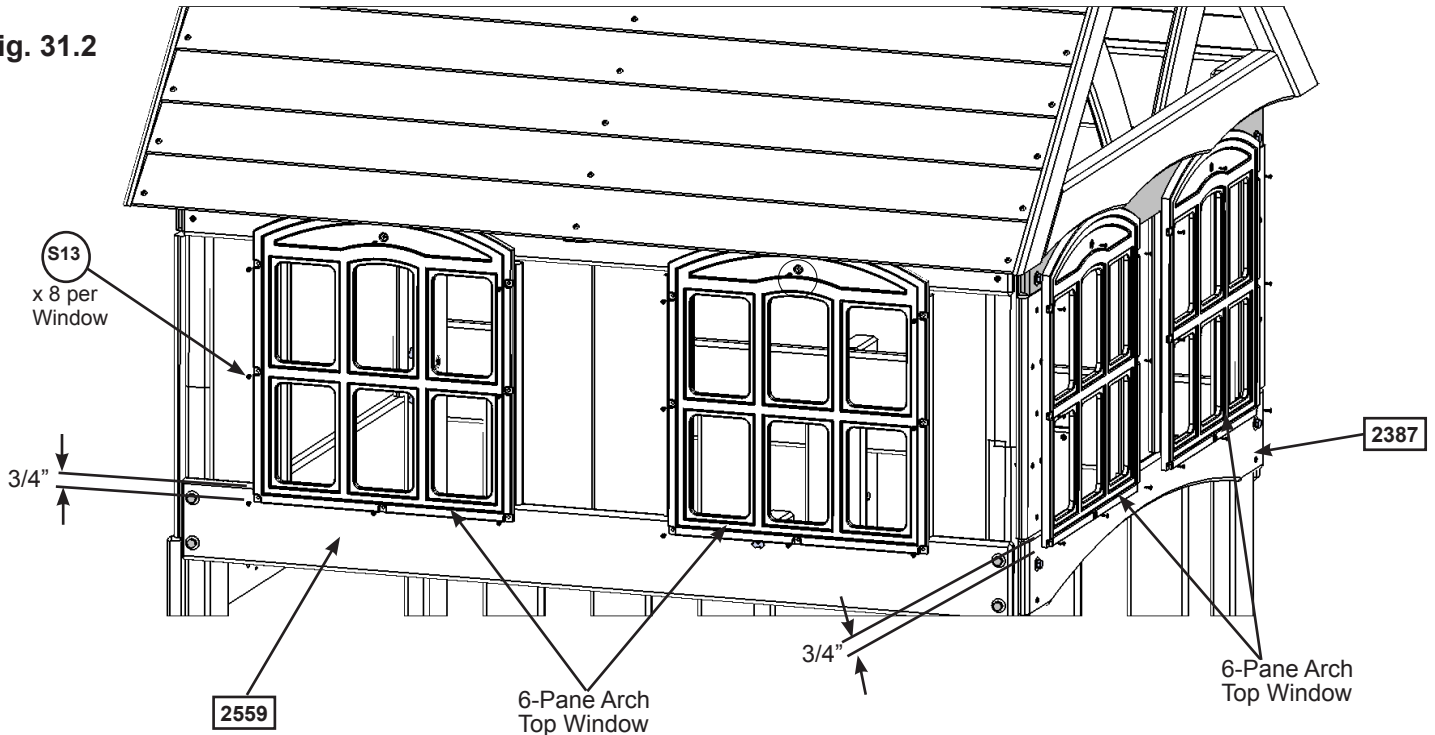


Fig. 31.2



Hardware

32 x (S13) #6 x 5/8" Pan Screw

Other Parts

4 x 6-Pane Arch Top Window

Step 31: Attach Windows and Clock Part 2



B: Place Clock Face on the Front Wall lining the hole in the clock to the hole in (2430) Clock Siding, making sure the clock is snug to the siding. Attach to (2430) Clock Siding and (2412) CE Siding with 4 (S2) #8 x 1-1/2" Wood Screws. (fig. 31.3 and 31.4)

C: From inside the assembly insert Clock Knob in the hole in (2430) Clock Siding, then with 1 person inside the fort and 1 outside place Hour Hand over Clock Knob making sure they are lined up properly. Finally, press Minute Hand over Hour Hand. (fig. 31.4, 31.5, and 31.6)

Fig. 31.3

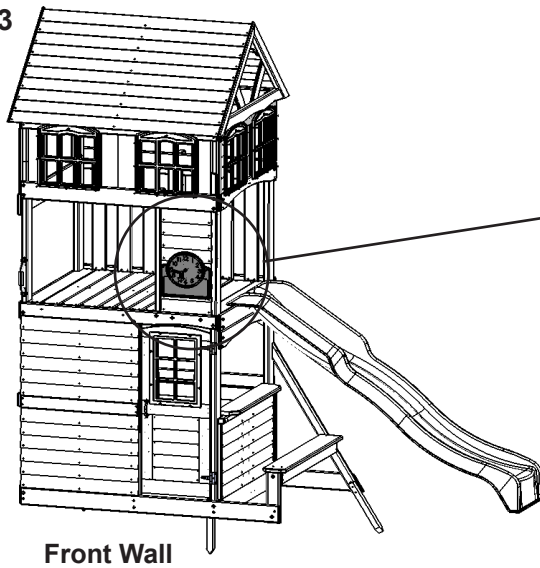
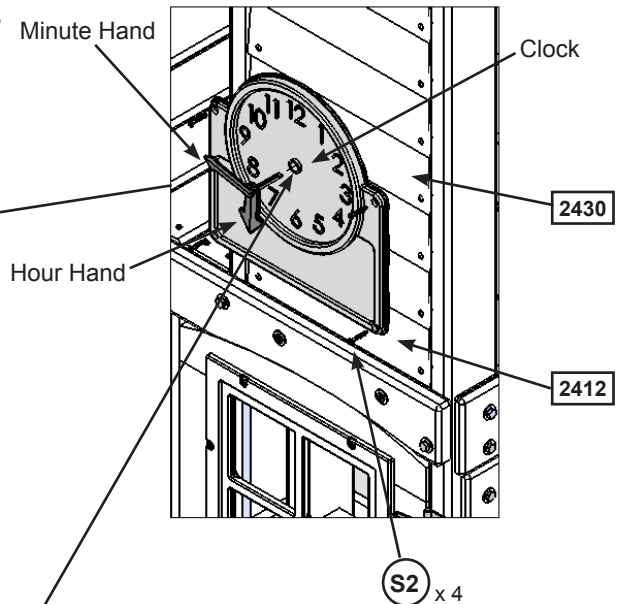
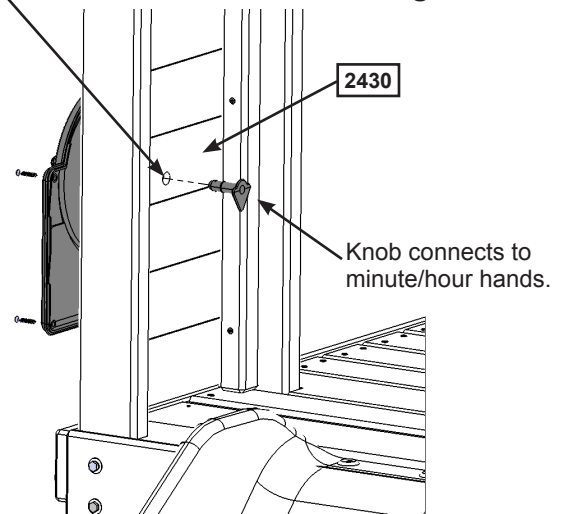


Fig. 31.4



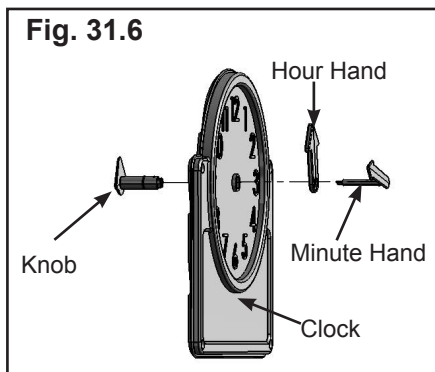
Hole in Clock Siding lines up to hole in Clock.

Fig. 31.5



Inside View

Fig. 31.6



Hardware

4 x (S2) #8 x 1-1/2" Wood Screw

Other Parts

1 x Clock Assembly

Step 32: Attach Rock Wall to Fort



A: Place Rock Wall Assembly from Step 2 centred on and flush to top of (2350) Front Floor. Attach (2555) Rock Rails to (2350) Front Floor using 4 (S15) #8 x 1-3/4" Wood Screws as shown in fig. 32.1, 32.2 and 32.3.

B: Attach (0702) CE Wall Board to top of Rock Wall Assembly, flush to top of (0349) Rock Rails using 4 (S2) #8 x 1-1/2" Wood Screws. (fig. 32.4)

Fig. 32.1

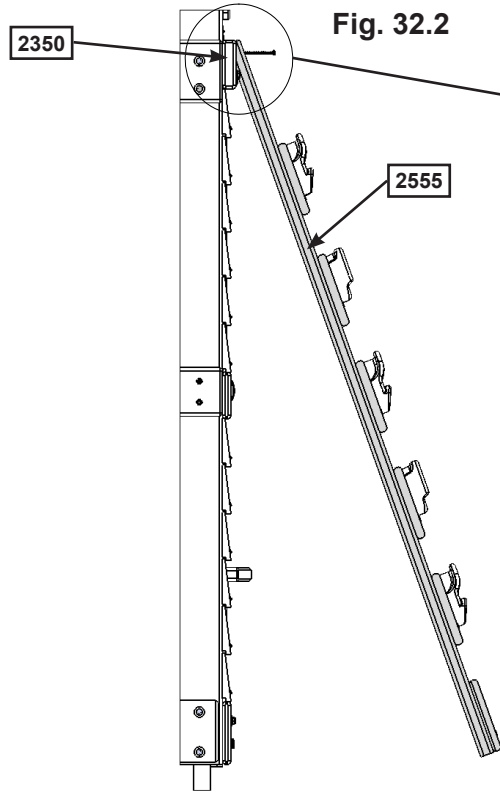
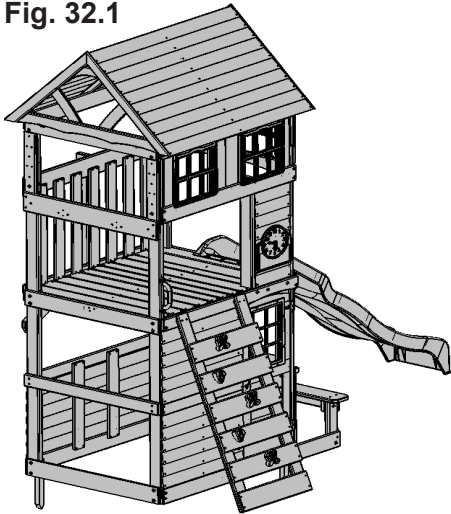


Fig. 32.2

Fig. 32.3

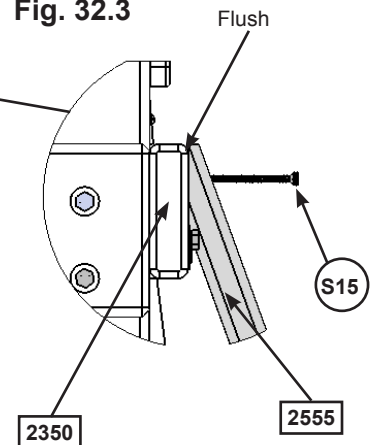
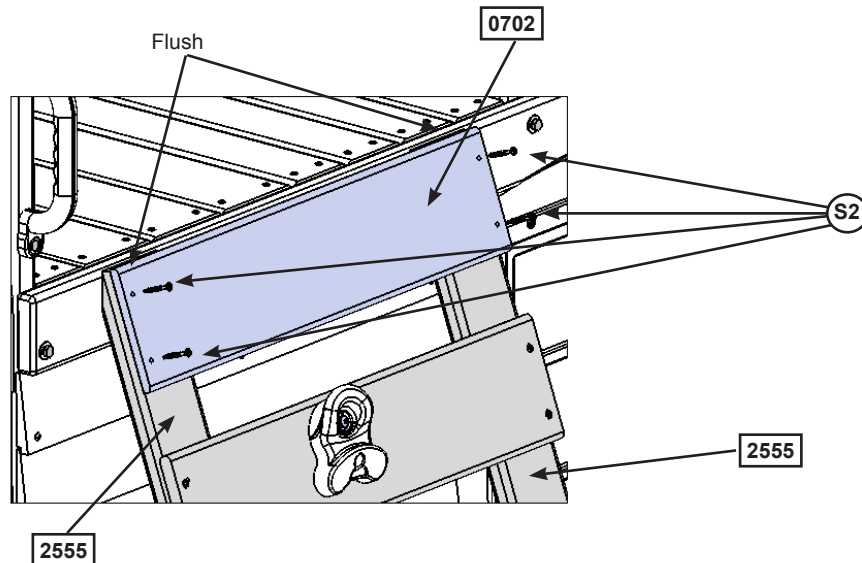


Fig. 32.4



Wood Parts

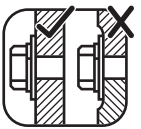
1 x 0702 CE Wall Board 1 x 6 x 23-1/2"

Hardware

4 x S15 #8 x 1-3/4" Wood Screw

4 x S2 #8 x 1-1/2" Wood Screw

Step 33: Connect Monkey Bar Assembly to Fort Part 1



A: Attach 2 MB Hanger Brackets to (2553) MK Board with 2 (PB2) 1/4 x 1-1/4" Pan Bolt (with lock washer, flat washer and t-nut) per bracket as shown in fig. 33.1 and 33.2.

B: Place each (1565) MK Rail Short of the Monkey Bar Assembly from Step 10 in each MB Hanger Bracket and attach with 1 (PB5) 1/4 x 2" Pan Bolt (with flat washer x 2 and lock nut) per bracket. (fig. 33.3)

C: From inside the assembly attach (2553) MK Board to each (1565) MK Rail Short with 2 (S4) #8 x 3" Wood Screws per rail. (fig. 33.3)

Fig. 33.1

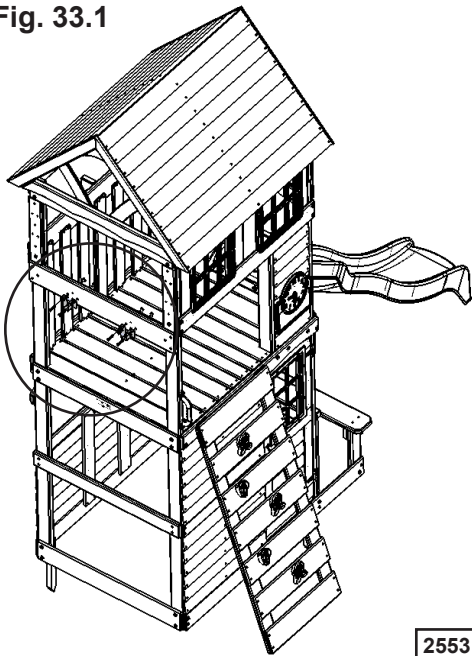


Fig. 33.2

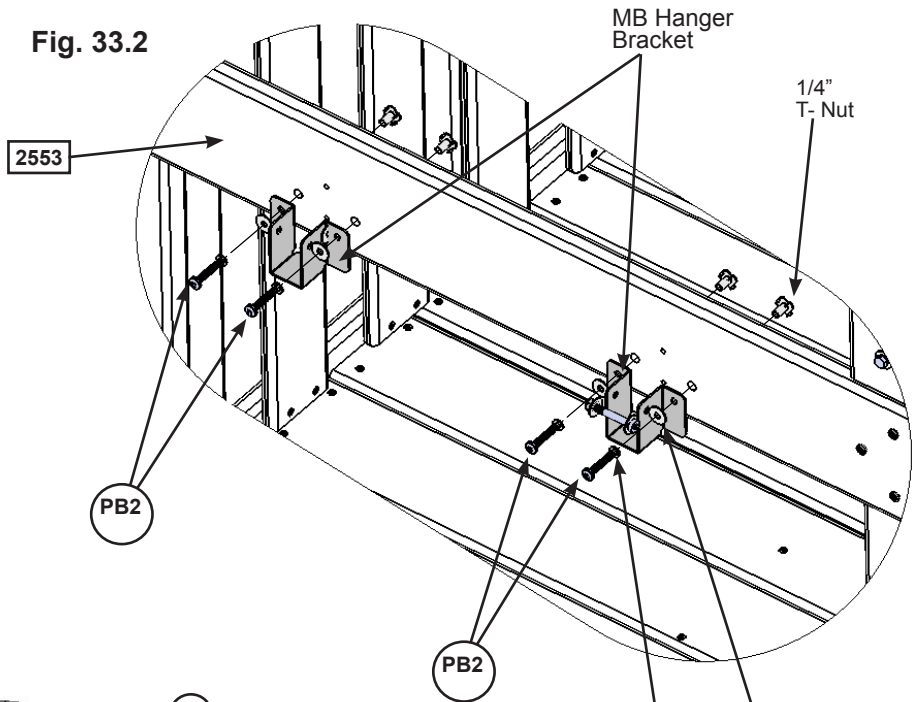
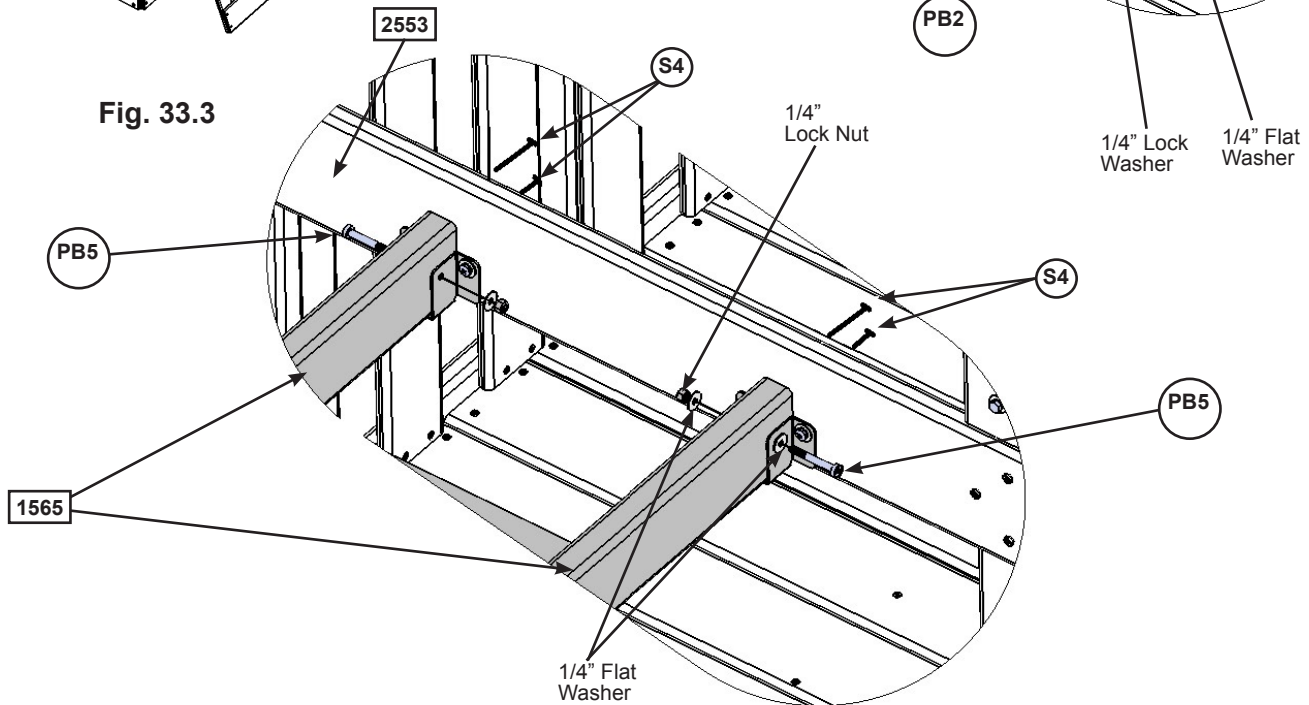


Fig. 33.3



Hardware

- 4 x (PB2) 1/4 x 1-1/4" Pan Bolt
(1/4" lock washer, 1/4" flat washer & 1/4" t-nut)
- 2 x (PB5) 1/4 x 2" Pan Bolt
(1/4" flat washer x 2 & 1/4" lock nut)
- 4 x (S4) #8 x 3" Wood Screw

Other Parts

- 2 x MB Hanger Bracket

Step 33: Connect Monkey Bar Assembly to Fort Part 2

D: Drive 1 (0318) Ground Stake 10-1/2" into the ground at one (2382) MK Post on the inside of the assembly and attach with 2 (S3) #8 x 2-1/2" Wood Screws. (fig. 33.4 and 33.5)

⚠️WARNING: To prevent tipping and avoid potential injury, stakes must be driven 10-1/2" into ground. Digging or driving stakes can be dangerous if you do not check first for underground wiring, cables or gas lines.

Fig. 33.4

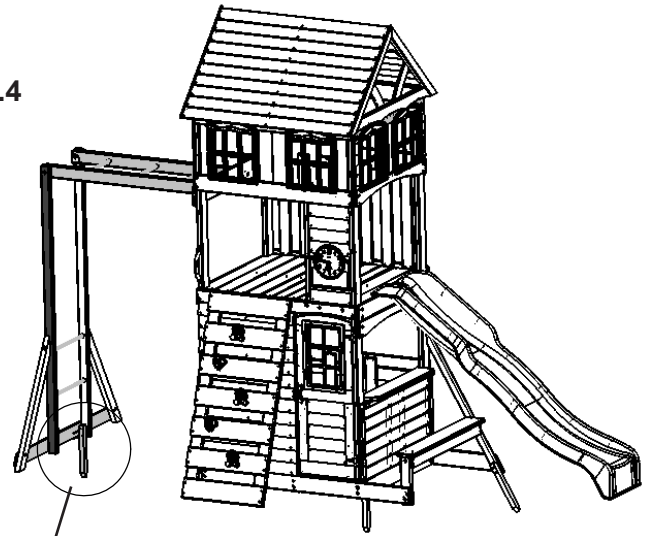
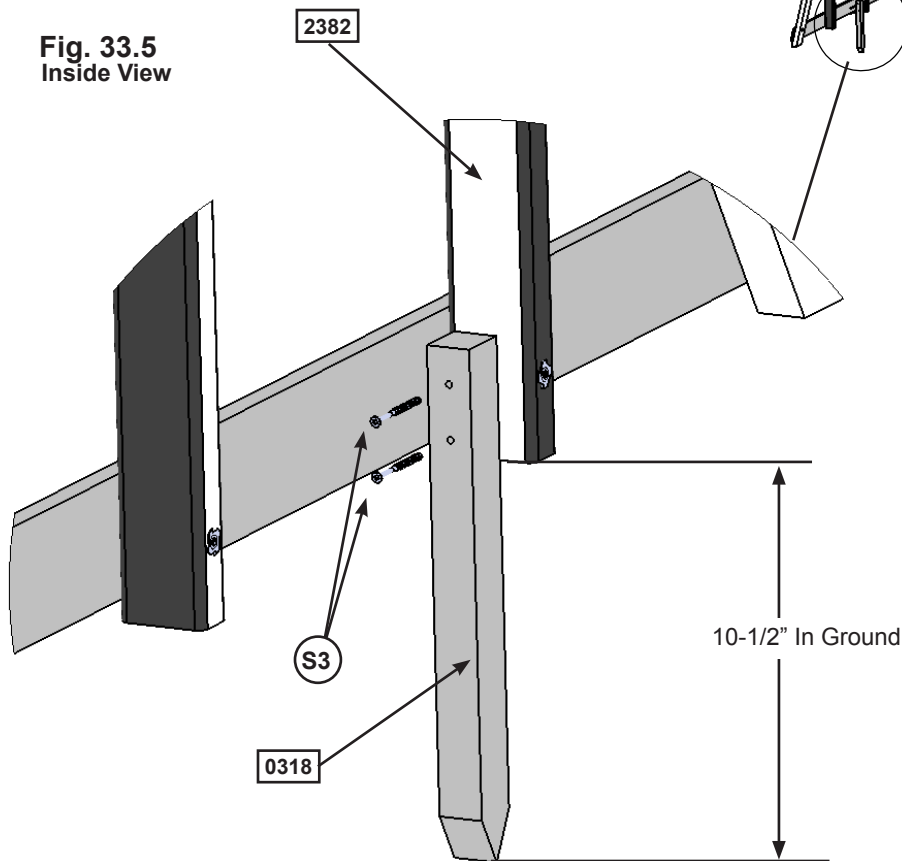


Fig. 33.5
Inside View



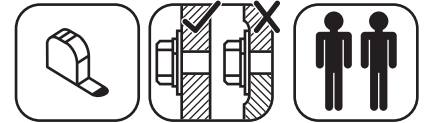
Wood Parts

1 x 0318 Ground Stake 1-1/4 x 1-1/2 x 14"

Hardware

2 x S3 #8 x 2-1/2" Wood Screw

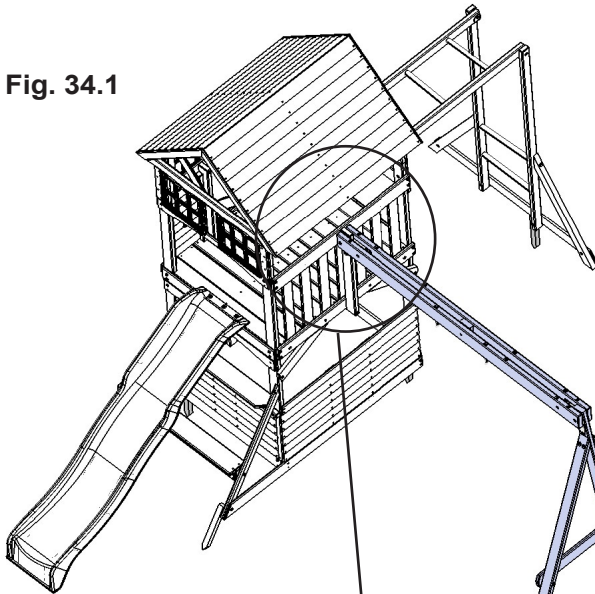
Step 34: Attach Swing Assembly to Fort



A: Attach Swing Assembly from Step 5 to (2390) SW Mount with 1 (G5) 5/16 x 4-1/2" Hex Bolt (with lock washer, flat washer and t-nut) and 1 (G8) 5/16 x 2" Hex Bolt (with 2 flat washers and 1 lock nut) as shown in fig. 34.1 and 34.2.

B: Drive 1 (0318) Ground Stake 10-1/2" into the ground at each (1863) SW Post and attach with 2 (S3) #8 x 2-1/2" Wood Screws per ground stake. (fig. 34.1 and 34.3)

Fig. 34.1



⚠WARNING: To prevent tipping and avoid potential injury, stakes must be driven 10-1/2" into ground. Digging or driving stakes can be dangerous if you do not check first for underground wiring, cables or gas lines.

Fig. 34.3

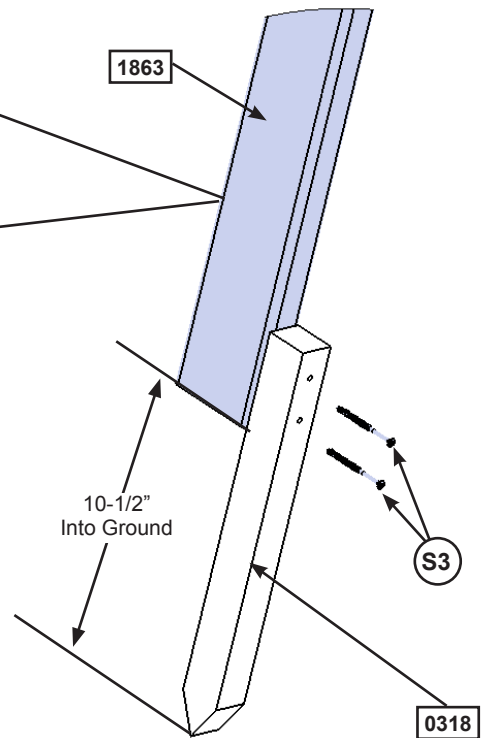
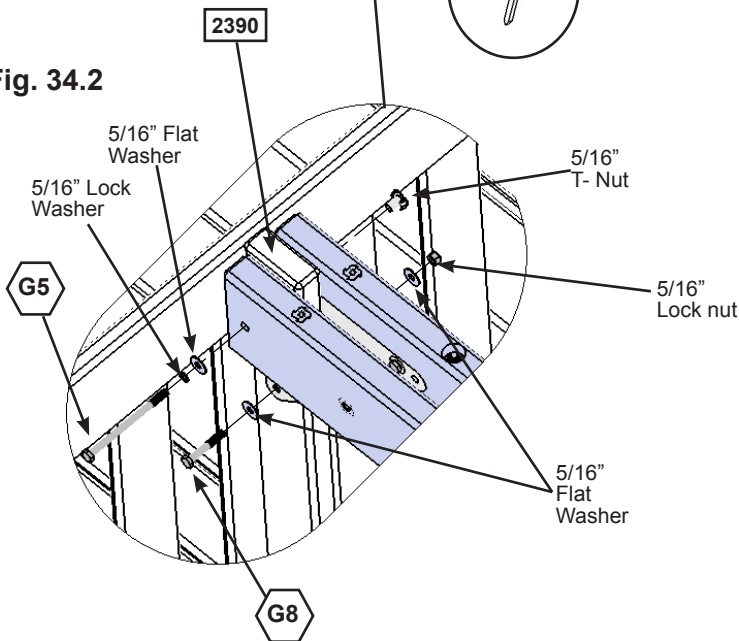


Fig. 34.2



Wood Parts

2 x 0318 Ground Stake 1-1/4 x 1-1/2 x 14"

Hardware

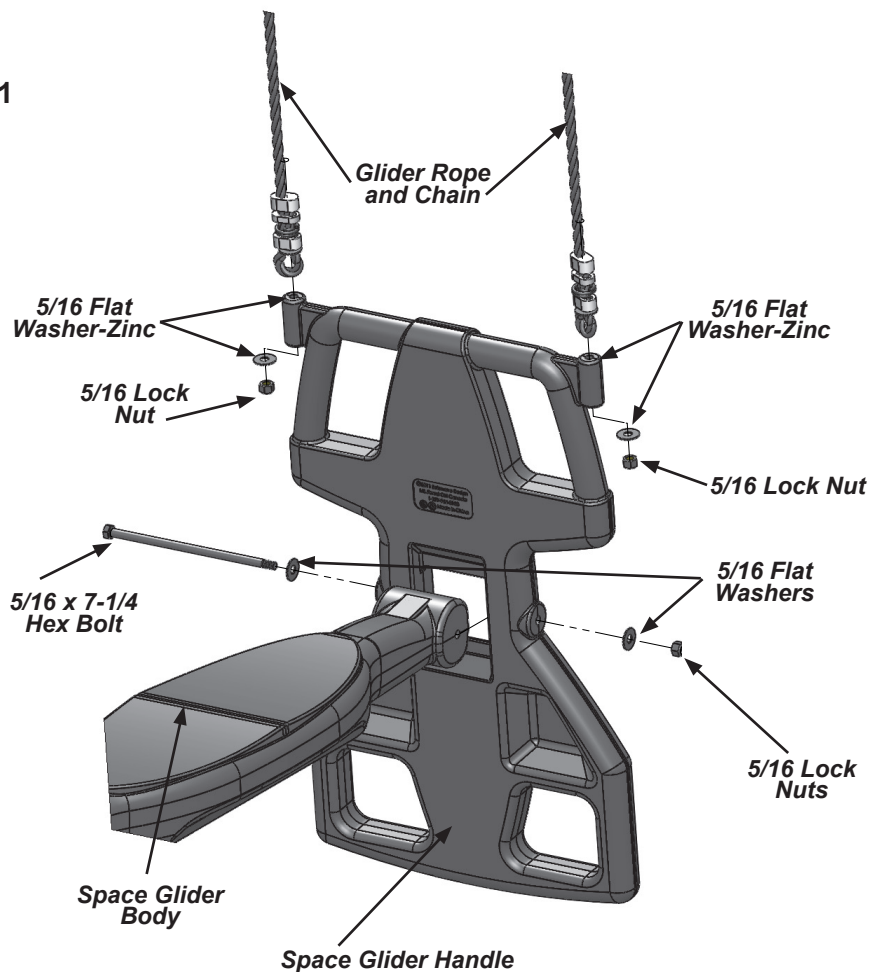
- 1 x G5 5/16 x 4-1/2" Hex Bolt (5/16" lock washer, 5/16" flat washer, 5/16" t-nut)
- 1 x G8 5/16 x 2" Hex Bolt (5/16" flat washer x 2, 5/16" lock nut)
- 4 x S3 #8 x 2-1/2" Wood Screw

Step 35: Glider Assembly

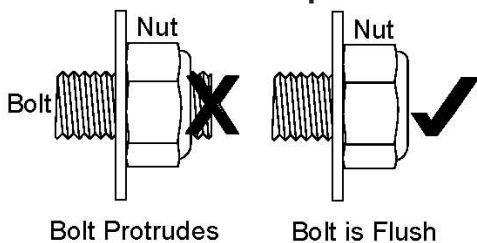
A: Attach 1 Space Glider Handle to the Space Glider Body using 1 (G25) 5/16 x 7-1/4" Hex Bolt (with 2 flat washers and 1 lock nut). Repeat for the second Space Glider Handle. (fig. 35.1)


B: Install 2 Glider Rope with Chains into each Space Glider Handle using 2 - 5/16" Flat Washers and 1 Lock Nut per rope. (fig. 35.1)

Fig. 35.1



⚠ WARNING: Bolt must not exceed 1/2 thread past the nut



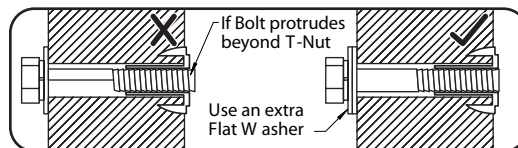
- 2 x  5/16 x 7-1/4" Hex Bolt
(5/16" flat washer x 2, 5/16" lock nut)
- 8 x 5/16" Flat Washer
- 4 x 5/16" Lock Nut

Other Parts

- 2 x Space Glider Handle
- 1 x Space Glider Body
- 1 x Glider Rope and Chain (pkg of 4)

Step 36: Attach Glider and Swings

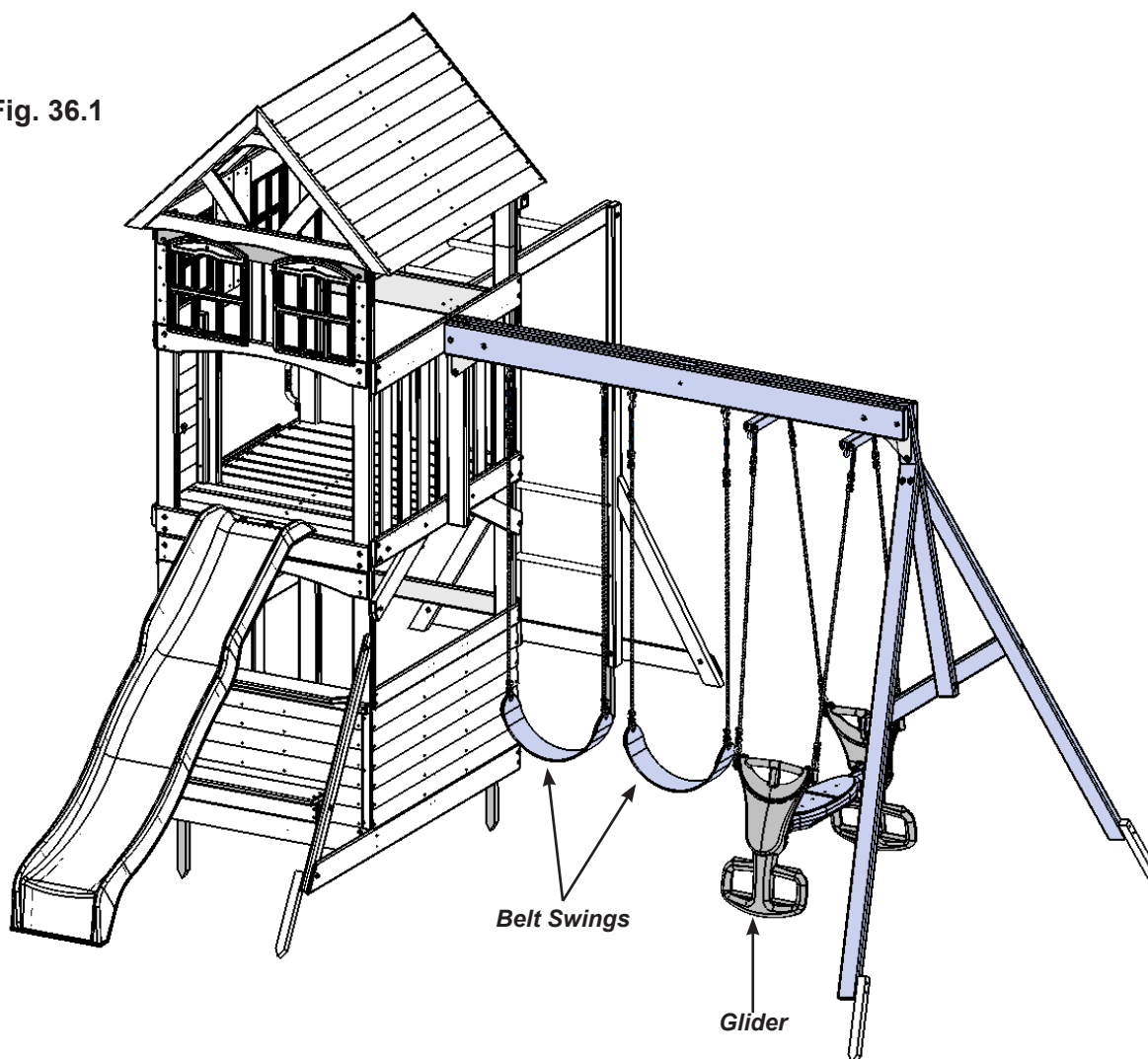
⚠ WARNING: Check entire play centre for bolts protruding beyond T-Nuts. Use extra washers to eliminate this condition.



A: Connect the assembled Glider to the Glider Hangers previously installed. (fig. 36.1)

B: Attach 2 Belt Swings to the Bolt-Thru Swing Hangers. (fig. 36.1)

Fig. 36.1



Other Parts

2 x Belt Swings

NOTES

CEDAR SUMMIT
Consumer Registration Card

First Name Initial Last Name

--	--	--

Street Apt. No.

--	--

City State/Province ZIP/Postal Code

--	--	--

Country Telephone Number

--	--

E-Mail Address

--

Model Name Model Number (Box Labels)

--	--

Serial Number (on ID Plaque)

--

Date Purchase Purchased From

--	--

MM / DD / YY

How would you rate this product for quality?

Excellent Very Good Average Below Average Poor

How would you rate this product for ease of assembly?

Excellent Very Good Average Below Average Poor

How would you rate our instructions?

Excellent Very Good Average Below Average Poor

How would you rate the quality of packaging?

Excellent Very Good Average Below Average Poor

Would you recommend the purchase of our products to friends and family?

Yes No

Comments:

MAIL TO:
Solowave Design™
375 Sligo Road W.
Mount Forest, Ontario, Canada
NOG 2L0
Attention: Customer Service



Fill out your registration card online at
www.cedarsummitplay.com/registration
Cedar Summit would like to say Thank You for
your time and feedback.

