

Assembly Instructions

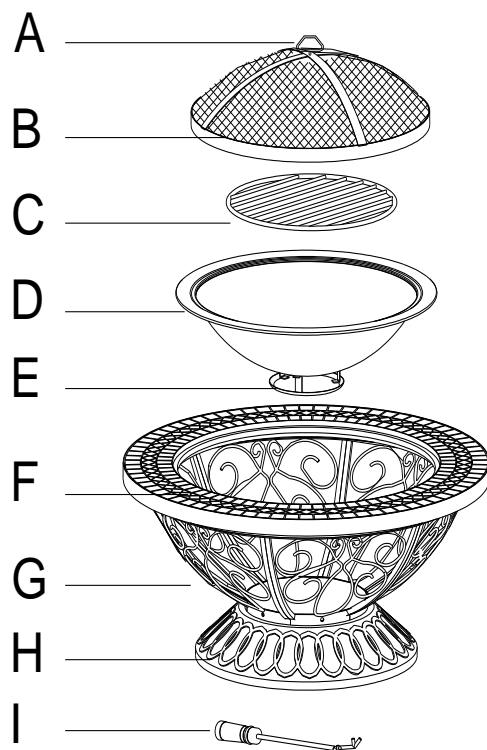
D-FT004PST

WARNINGS:

- This fire bowl is intended for outdoor use only. Do not use on wooden decks. DO NOT use in the vicinity of flammable objects.
- This fire bowl is intended to burn wood logs only. Do not burn leaves, or other combustible materials in the fire bowl.
- Not for use by children. Keep children and pets away from the fire bowl.
- The fire bowl is hot. Use with caution. Do not touch the hot fire bowl with bare hands.
- Never leave the burning fire bowl unattended, and always extinguish the fire completely before leaving the fire bowl.
- Do not use near flammable or combustible objects or materials.
- DO NOT use this Fire Pit as a cooking appliance. This Fire Pit is not designed to be used for grilling food.
- When the fire bowl is in use, the handle on the mesh screen can reach extreme temperatures that can cause serious injury to an unprotected hand. Use a poker or an appropriate heat resistant glove or pad when handling.
- Check local fire regulations and municipal by-laws for safe use.

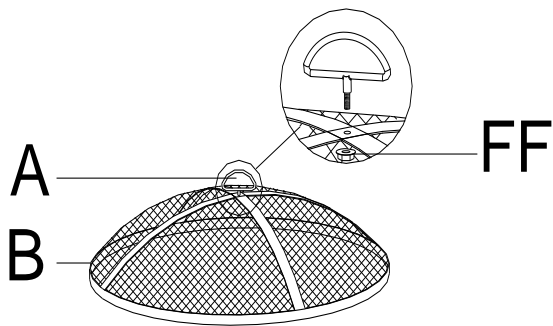
Parts List

No.	Description	Qty
A	Lifter	1
B	Mesh Screen	1
C	Charcoal Grate	1
D	Bowl	1
E	Ash Catcher	1
F	Table Top	1
G	Panel	6
H	Base	1
I	Poker	1
AA	M6x15Bolt	18
BB	M5x10 Bolt	3
CC	M5 Flange Nut	3
DD	M6 Nut	6
EE	M6/M5 Wrench	1
FF	M6 Flange Nut	1



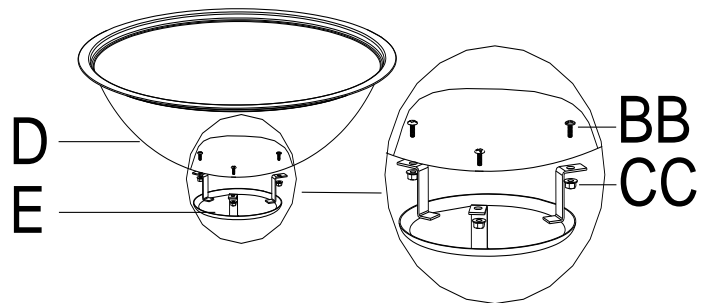
Step 1:

Connect Lifer (A) to Mesh Screen (B) by using 1 pc of M6 Flange Nut (FF)



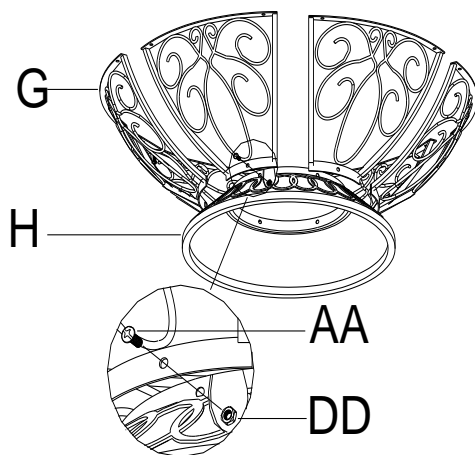
Step 2:

Connect Bowl (D) to Ash Catcher (E) by using 3 pcs of M5x10 Bolt (BB) and 3 pcs of M5 Flange Nut (CC)



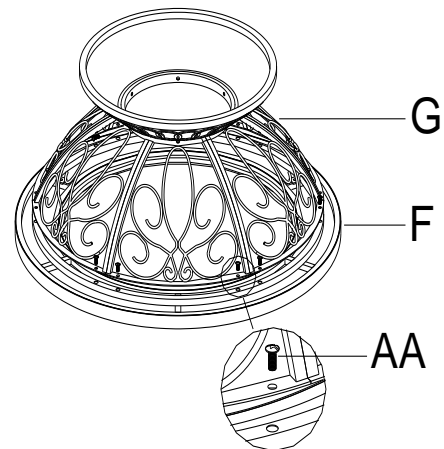
Step 3:

Attach Panel (G) and Base (H) by using 6 pcs of M6x15 Bolt (AA) and 6 pcs M6 Nut (DD), and tighten bolts after step 4 is finished.



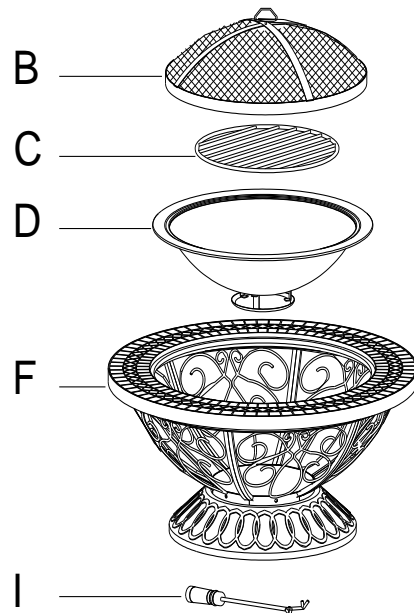
Step 4:

Put the Table Top (F) upside down, then attach Panel (G) to it by using 12 pcs of M6x15 Bolt (AA).



Step 4:

Put the Bowl (D) on the Table Top(F), then put the Charcoal Grate(C) and Mesh Screen(B) on the Bowl(D) and put Poker(I) aside for use.



Limited Warranty:

This limited warranty is extended to the original purchaser and applies to defects in materials and workmanship of your item provided the item is maintained with care and used only for personal, residential purposes.

The item is warranted to be free from defects in material or workmanship for a period of (6) months. We don't reimburse for transportation or delivery costs, or compensate the individual or any outside party for assembling or disassembling the product.

Thank you for purchasing this SUNJOY product. These products have been made to demanding, high-quality standards and are guaranteed for domestic use against manufacturing faults. This warranty does not affect your statutory rights.

For technical assistance on assembly or replacement parts. In the continental U.S., you can call us toll-free at 1-866-578-6569 from 8 a.m. to 5 p.m. CST Monday – Friday. In the continental Canada, you can call us toll-free at 1-844-SUNJOY1 (1-844-786-5691) from 8 a.m. to 5 p.m. CST Monday – Friday. You can fax the replacement part form which is in the box to (740)-283-3549 .You can also send us an email to customer.care@sunjoygroup.com.The manufacturer reserves the right to repair or replace the defective product, at its discretion.

The product is guaranteed if used for normal trade purposes. Any warranty is invalid if the product has been overloaded or subject to neglect, improper use or an attempted repair other than by an authorized agent. Heavy-duty or daily professional/commercial usage are not guaranteed. Due to continuous product improvement, we reserve the right to change the product specifications without prior notice.