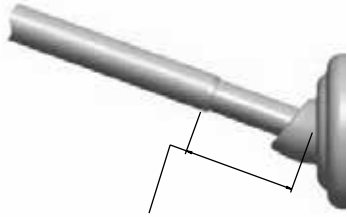
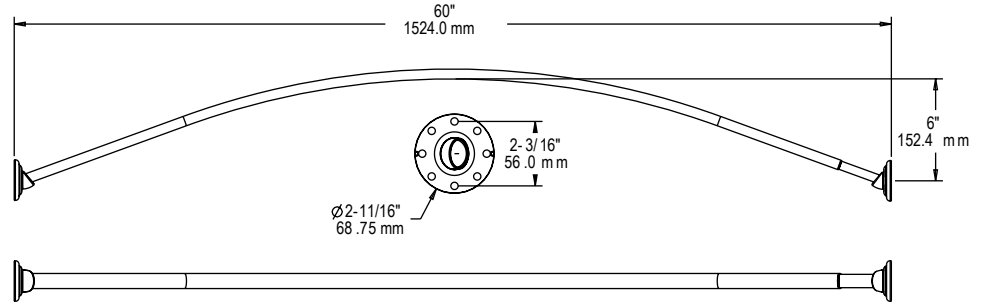


Curved Shower Rods

211 Series



"TOOL FREE ADJUSTMENT" 68.75 mm
NO CUTTING REQUIRED FOR THE
FOLLOWING FINISHED OPENINGS
5' ROD ADJUSTMENTS = (4'11" - 5'1")
6' ROD ADJUSTMENTS = (5'11" - 6'1")



INSTALLATION:

Mount wall brackets 3" inside where a straight rod would be installed using supplied fasteners. Note the markings on brackets for stationary and adjustable attachment. Depress pins on stationary end of rod and clip into bracket. Repeat step for adjustable rod end. Slide flanges over brackets. Wood blocking is preferable behind all wall surfaces. If wood blocking is not available, use anchors or plugs provided with screws.