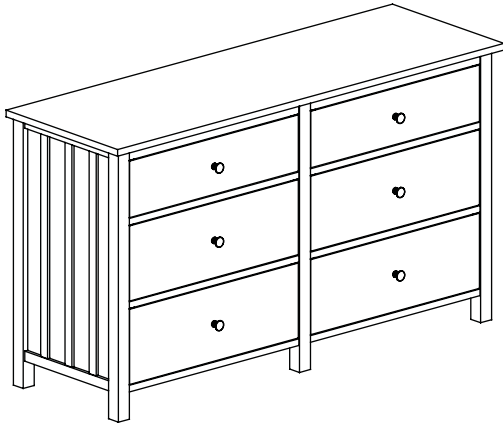


HOME DECORATORS COLLECTION

HDC#: 13249 MFG#: 360-9X
ASSEMBLY INSTRUCTION
 Deerfield Dresser

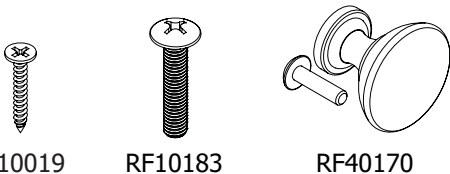


List of Wooden Parts

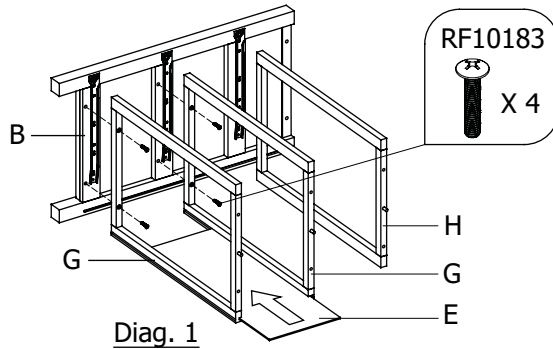
NO.	Description	Q'ty
A	Table Top	1
B	Left Panel	1
C	Right Panel	1
D	Middle Panel	1
E	Lower Back Panel	2
F	Upper Back Panel	2
G	Lower Frame	4
H	Upper Frame	2
I	Large Drawer Front	4
J	Large Drawer Left	4
K	Large Drawer Right	4
L	Large Drawer Back	4
M	Drawer Front	2
N	Drawer Left	2
O	Drawer Right	2
P	Drawer Back	2
Q	Drawer Plate	6

List of Hardware

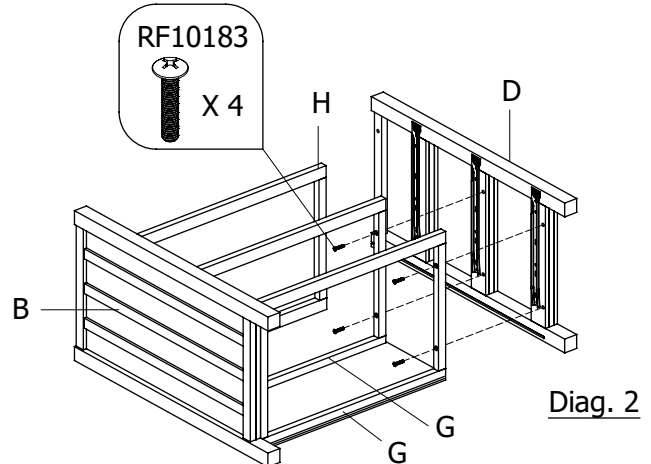
NO.	Description	Q'ty
RF10019	Screw F6 x 1"	48
RF10183	Screw JCB H+ M6 x 30 mm.	22
RF40170	Knobs	6



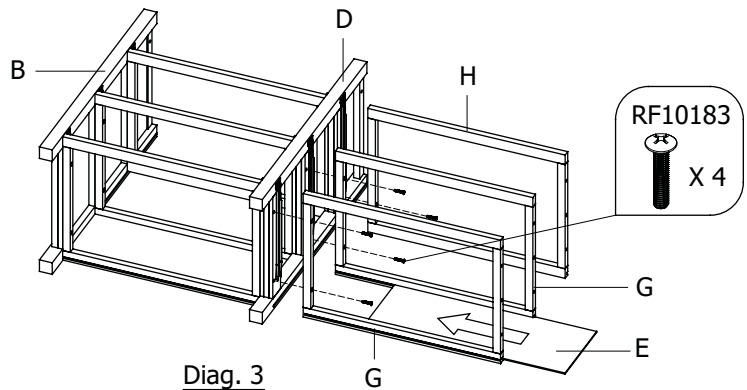
Please contact Home Decorators Collection Customer Service at (800) 240-6047 for parts or other product issues.



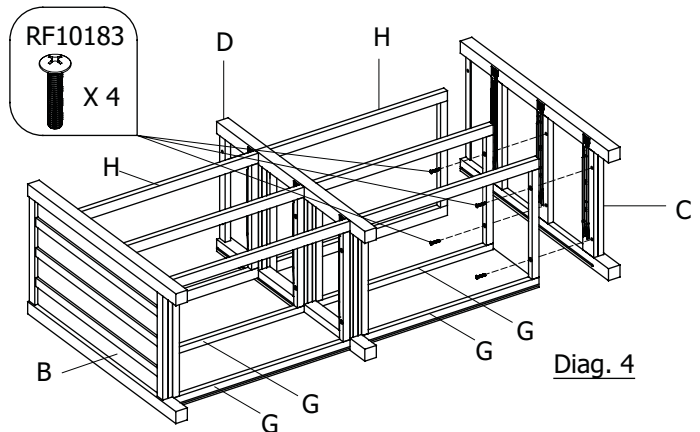
Step 1.
 Attach Lower Frame (G) and Upper Frame(H) into Left Panel (B) using 4 Screws JCB H+ M6 x 30mm (RF10183) and insert Lower Back Panel (E) into grooves between frame (G) as per diag.1.



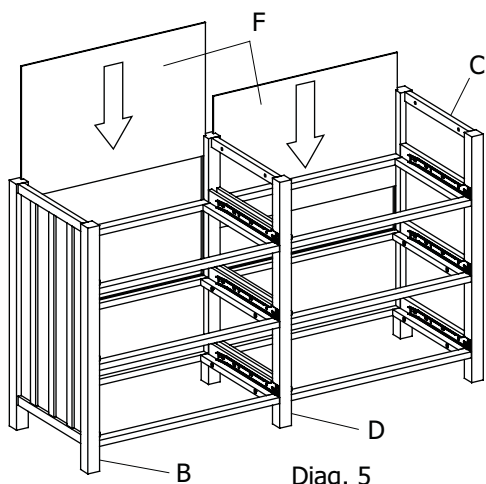
Step 2.
 Attach Middle Panel (D) to each fame (G, H) using 4 Screws JCB H+ M6 x 30mm (RF10183) as per diag.2.



Step 3.
 Repeat step1 as per diag.3.

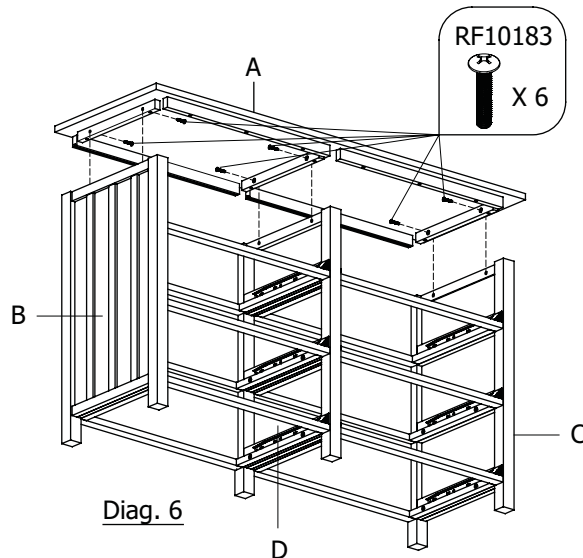


Step 4.
 Repeat step2 and attach Right Panel (C) as per diag.4.



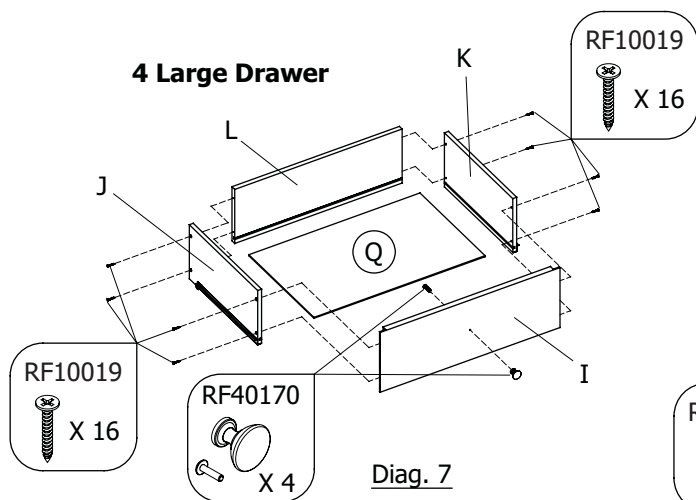
Diag. 5

Step 5.
Stand the unit upright and insert 2 upper Back Panels (F) into grooves of panel as per diag.5.



Diag. 6

Step 6.
Attach Table Top (A) onto the unit using 6 Screws JCB H+ M6 x 30mm (RF10183) as per diag.6.

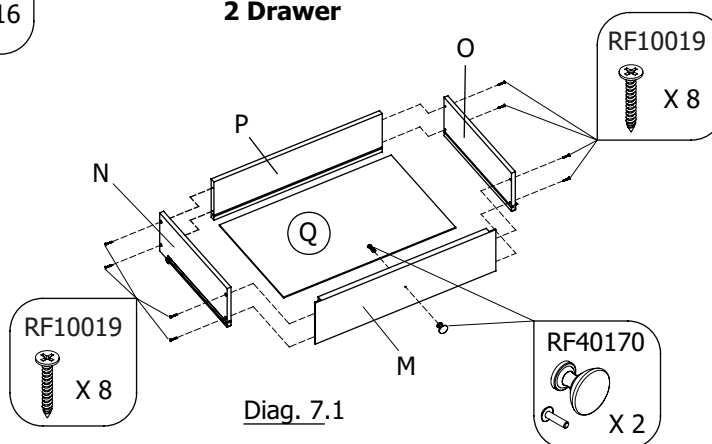


Diag. 7

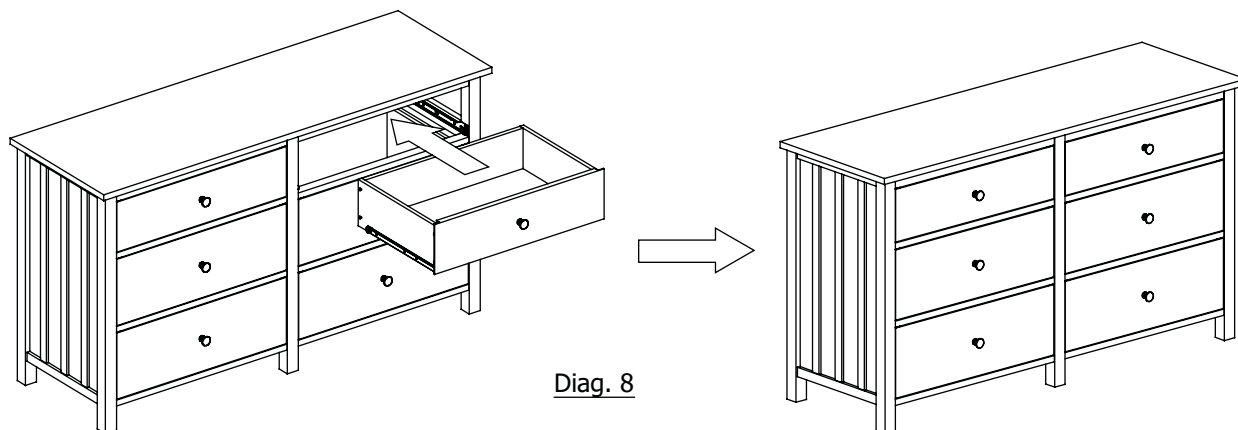
Step 7.

Large Drawer - Assemble the Large Drawer by attaching Drawer Left (J), Drawer Right (K), Drawer Back (L), Drawer Plate (Q) and Drawer Front (I) together by using Screws F6 x 1" (RF10019) as per diag.7.

Drawer - Repeat Large Drawer step as per diag.7.1.



Diag. 7.1



Diag. 8

Step 8.
Slide in drawer and Large Drawers as per diag.8.