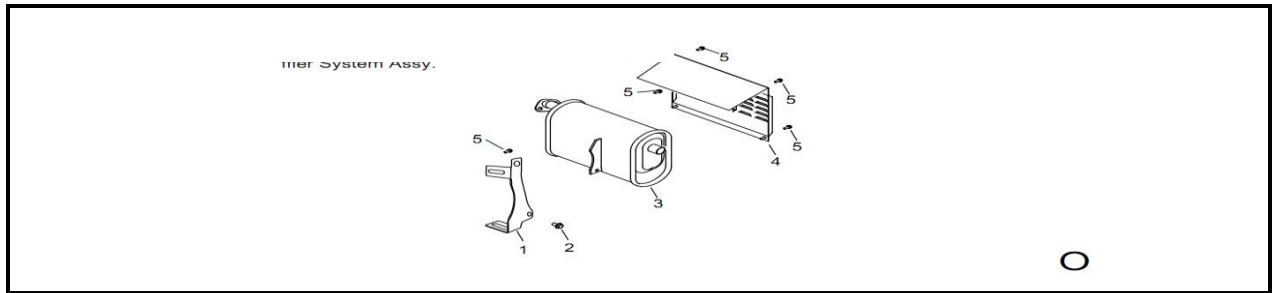
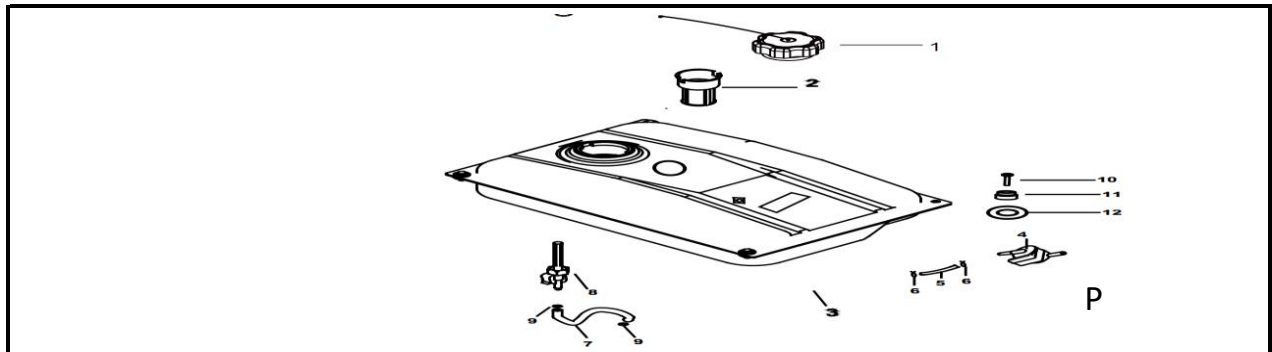


GPD5000W Parts List

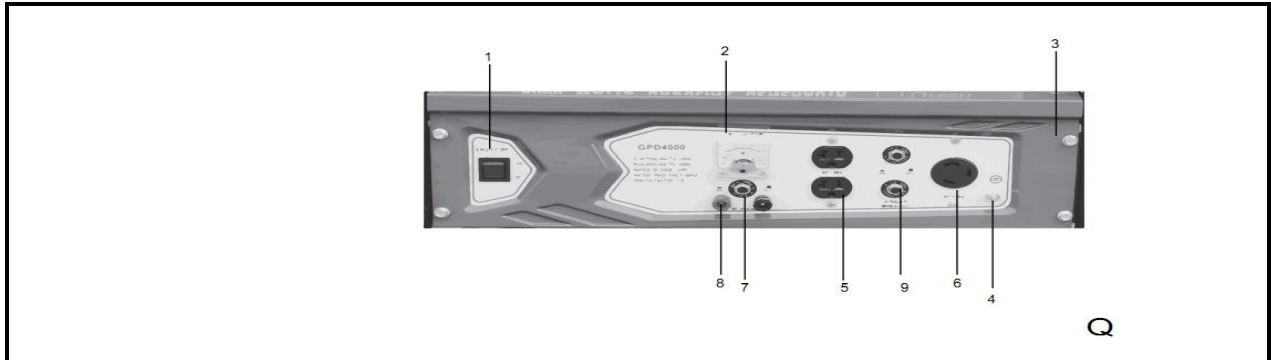


Group	GPA Parts/Group No	Factory Parts No	Description	QTY	Price	Comments	
O	GPD5000-O-03		BGG30212	MUFFLER COMP.	1	\$6.95	
	GPD4000-O-a	GPD4000-O-01	BGG31005	MUFFLER STAY COMP.	1	\$2.84	Sold in group only
		GPD4000-O-02	BGS30007	FLANGE BOLT(M8 X 16)	2		
		GPD4000-O-04	BGG31520	MUFF. OUTER PROTECTOR COMP.	1		
		GPD4000-O-05	BGG40003	FLANGE BOLT(M6X 12)	6		



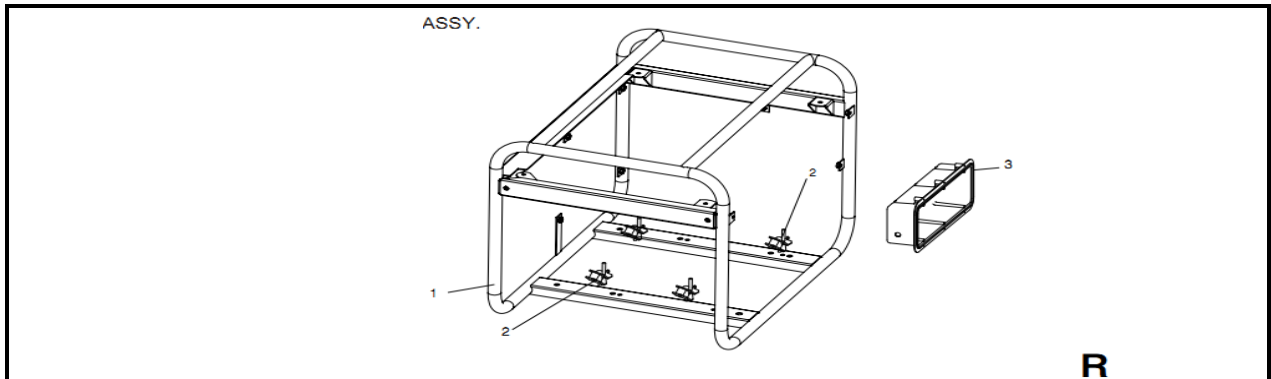
Group	GPA Parts/Group No	Factory Parts No	Description	QTY	Price	Comments	
P	GPG4000-P-01		BGG20550.1.5-1.2	FUEL FILLER CAP COMP	1	\$0.64	
	GPD4000-P-a	GPG4000-P-02	BGG20550.1.5-1.1	FUEL FILLER	1	\$9.87	Sold in group only
		GPD4000-P-03	BGG20550.1.5-1C	FUEL TANK COMP	1		
		GPG4000-P-04	BGG64228	OVERFLOW VALVE	1		
		GPG4000-P-05	BGG63687	FUEL TUBE A	0.47m		
	GPG4000-P-06	BGG43582	FUEL CLIP A	2	\$0.10		
	GPG4000-P-07	BGG43602	FUEL TUBE D	0.40m	\$0.53		
	GPG4000-P-08	BGG43625	FUEL VALVE	1	\$0.52		
	GPG4000-P-09	BGG63575	TUBE CLIP C	2	\$0.10		
	GPG4000-P-10	BGG40009	FLANGE BOLT (M6X 25)	4	\$0.02		
	GPG4000-P-11	BGG20550.1.2	RUBBER Cusion	4	\$0.10		
	GPG4000-P-12	BGG20503	WASHER	4	\$0.02		

GPD5000W Parts List



Q

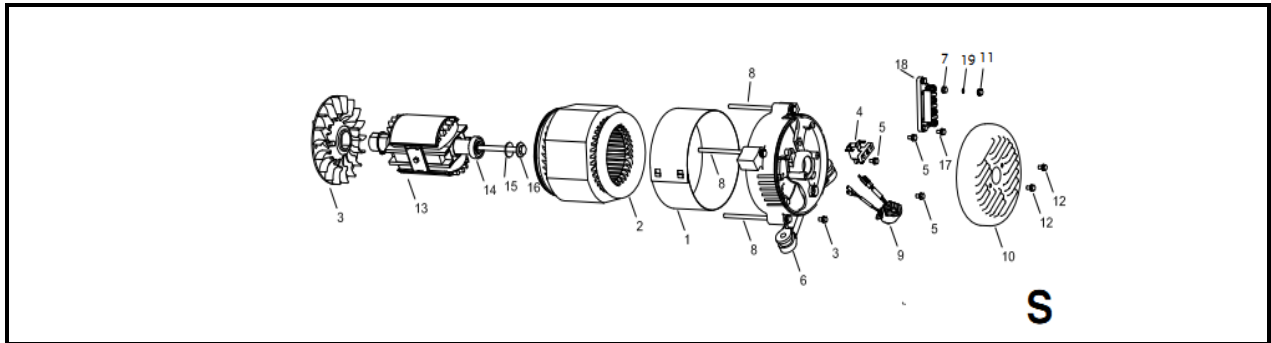
Group	GPA Parts/Group No	Factory Parts No	Description	QTY	Price	Comments
Q	GPG4000-Q-01	BGG50200	ENGINE SWITCH ASSY.	1	\$0.87	
	GPG4000-Q-02	BGG50100	VOLTMETER	1	\$2.00	
	GPD4000-Q-03	BGG50068	CONTROL PANEL COMP	1	\$4.24	
	GPG4000-Q-04	BGG50705	EARTH TERMINAL	1	\$0.67	
	GPG4000-Q-05	BGG53350	120V 20A NEMA 5-20 Receptacle	2	\$2.30	
	GPG4000-Q-06	BGG53450	120V 30A NEMA L5-30 Receptacle	1	\$3.20	
	GPG4000-Q-07	BGG52100	DC CIRCUIT PROTECTOR	1	\$1.50	
	GPG4000-Q-08	BGG53650	DC 12V OUTPUT	1	\$1.50	
	GPD5000-Q-09	BGG52156	AC CIRCUIT PROTECTOR	2	\$1.67	



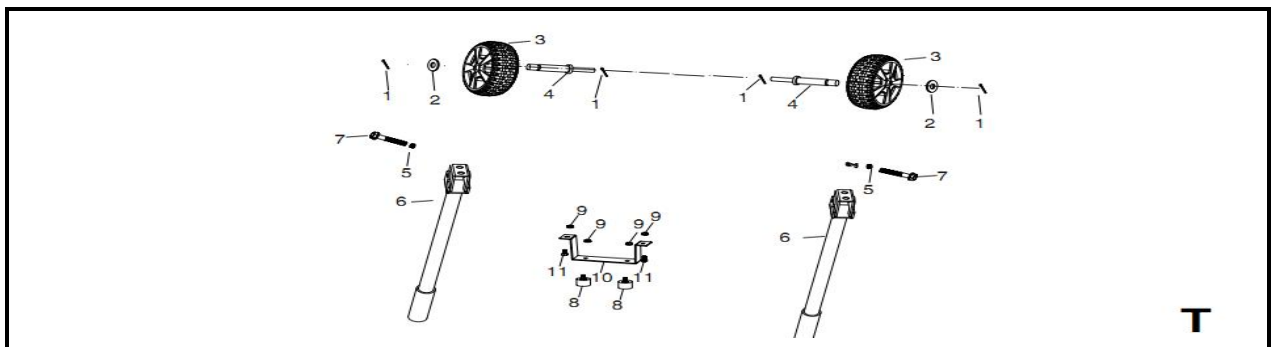
R

Group	GPA Parts/Group No	Factory Parts No	Description	QTY	Price	Comments
R	GPD5000-R-01	BGG40419	GENERATOR FRAME	1	\$11.20	
	GPD4000-R-02	BGG61006	BOTTON RUBBER A	4	\$1.96	
	GPD4000-R-03	BGG50068.2	CONTROL PANEL CASE	1	\$2.70	

GPD5000W Parts List



Group	GPA Parts/Group No	Factory Parts No	Description	QTY	Price	Comments	
S	GPD5000-S-a	GPD5000-S-01	BGG11903.1.2	STATOR COVER	1	\$83.10	Sold in group only
		GPD5000-S-02	BGG11903.1.3	STATOR ASSY.	1		
		GPD5000-S-03	BGG11903.1.4	COOLING FAN	1		
		GPD5000-S-13	BGG11903.1.5	ROTOR COMP.	1		
		GPD5000-S-14	BGG11903.1.6	BEARING ASSY.	1		
	GPG4000-S-04	BGG13100	BRUSH ASSY.	1	\$0.64		
	GPG4000-S-05	BGS14022	TAPPING SCREW	6	\$0.12		
	GPG4000-S-06	BGG13300	GENERATOR STAY	1	\$3.79		
	GPG4000-S-07	BGS10001	NUT(5mm)	4	\$0.10		
	GPD5000-S-08	BGG14052	FLANGE BOLT(M6X 170)	4	\$0.50		
	GPG4000-S-09	BGG12508	AUTO VOLTAGE REG. ASSY.(AVR)	1	\$4.70		
	GPG4000-S-10	BGG13004	REAR COVER	1	\$0.68		
	GPG4000-S-11	BGS10001	NUT	4	\$0.04		
	GPG4000-S-12	BGS40078	FLANGE BOLT	2	\$0.10		
	GPG4000-S-15	BGS60004	PLAIN WASHER	1	\$0.01		
	GPD5000-S-16	BGG14012	FLANGE BOLT	1	\$0.35		
	GPG4000-S-17	BGS30039	HEX. BOLT(M5X 20)	2	\$0.10		
	GPG4000-S-18	BGG13200	VOLT CHANGE TERMINAL BR-AC-W	1	\$0.20		
	GPG4000-S-19	BGS60001	PLAIN WASHER(5mm)	4	\$0.04		



Group	GPA Parts/Group No	Factory Parts No	Description	QTY	Price	Comments
T	GPG5250-T-01	BGS61001	SPLIT PIN	4	\$0.10	
	GPG6500-T-02	BGS20006.1.2	WASHER PLAIN	2	\$0.02	
	GPD5000-T-03	BGG60649	WHEEL	2	\$6.16	8" solid
	GPD5000-T-04	BGS42004	SHAFT	2	\$1.23	
	FLANGE NUT(M8)	BGS20002	FLANGE NUT(M8)	2	\$0.02	
	GPD5000-T-06	BGG42102	HANDLE	2	\$2.12	
	GPG6500-T-07	BGS30014	FLANGE BOLT(M8*40)	2	\$0.04	
	GPG6500-T-08	BGS61005	RUBBER	2	\$0.40	
	GPG6500-T-09	BGS20002	FLANGE NUT(M8)	2	\$0.02	
	GPD5000-T-10	BGG42051	STANDER	1	\$1.17	
	GPG6500-T-11	BGS30009	FLANGE BOLT(M8*25)	1	\$0.10	