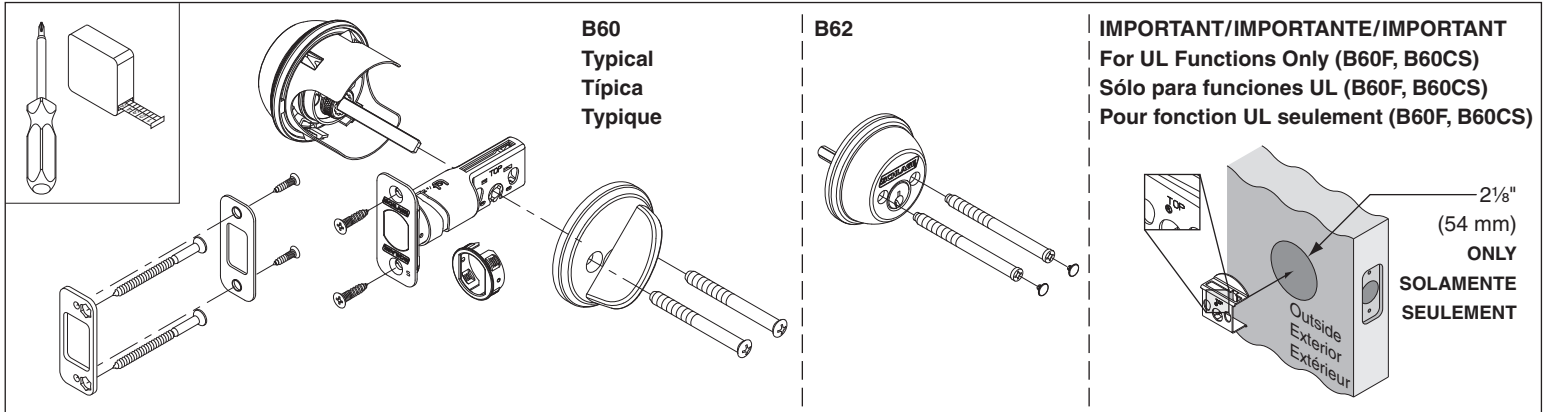


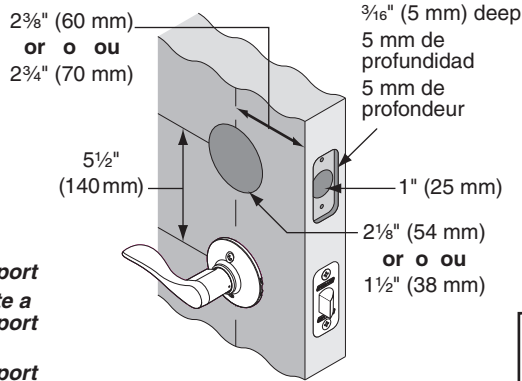


P515-788

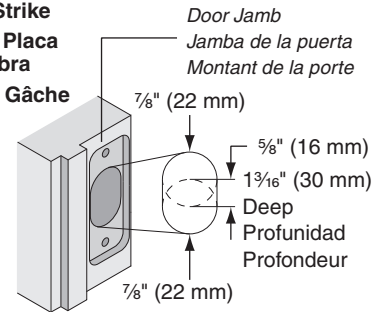
B60, B60CS, B60F, B62



Before Installing the Lock, Check Door Jamb and Door Preparation
Antes de instalar la cerradura, verifique el marco de la puerta y la preparación de la misma
Vérifier le montant de la porte et la préparation de porte avant d'installer le verrou



For Strike
Para Placa
Hembra
Pour Gâche

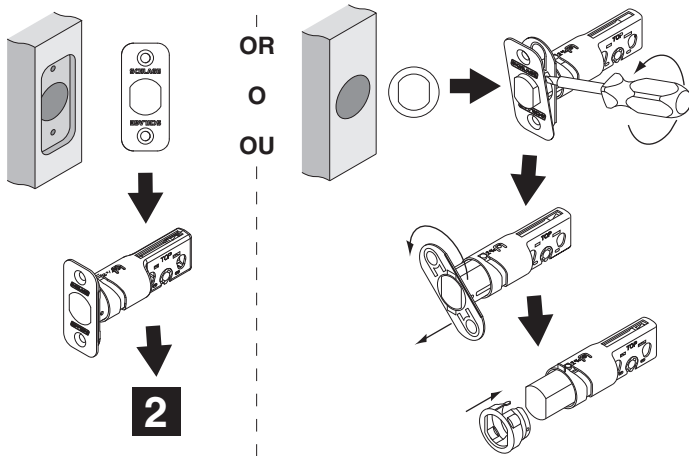


! If dimensions are different see <http://consumer.schlage.com/service-support>
Si las dimensiones son diferentes consulte a <http://consumer.schlage.com/service-support>
Si les dimensions sont différentes voir <http://consumer.schlage.com/service-support>

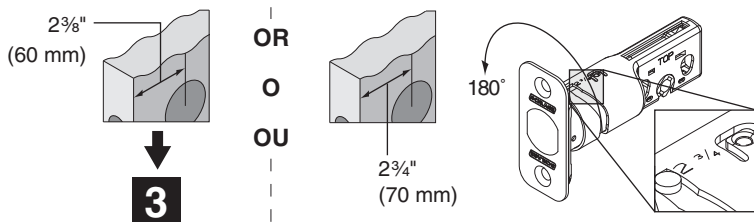


© Allegion 2014
Printed in U.S.A.
P515-788 Rev. 01/14-f

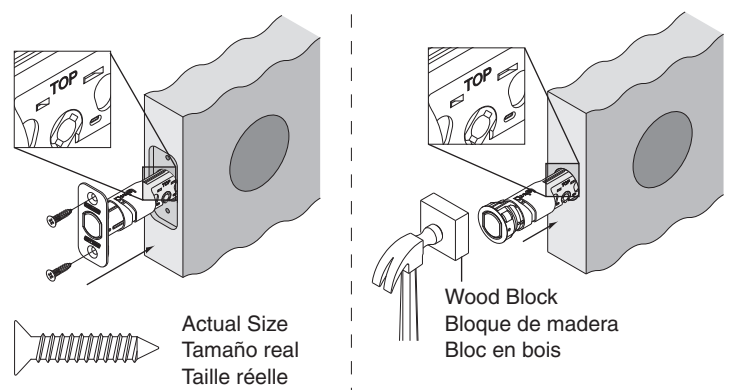
1 Choose Faceplate
Selección de la placa delantera
Sélectionner la tétière



2 If Necessary, Adjust Deadbolt
De ser necesario, ajuste el cerrojo de seguridad
Ajuster le pêne dormant si nécessaire



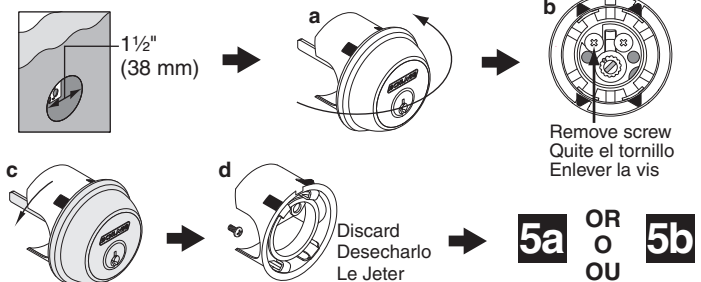
3 Install Deadbolt
Instalación del cerrojo de pasador
Installation et du pêne dormant

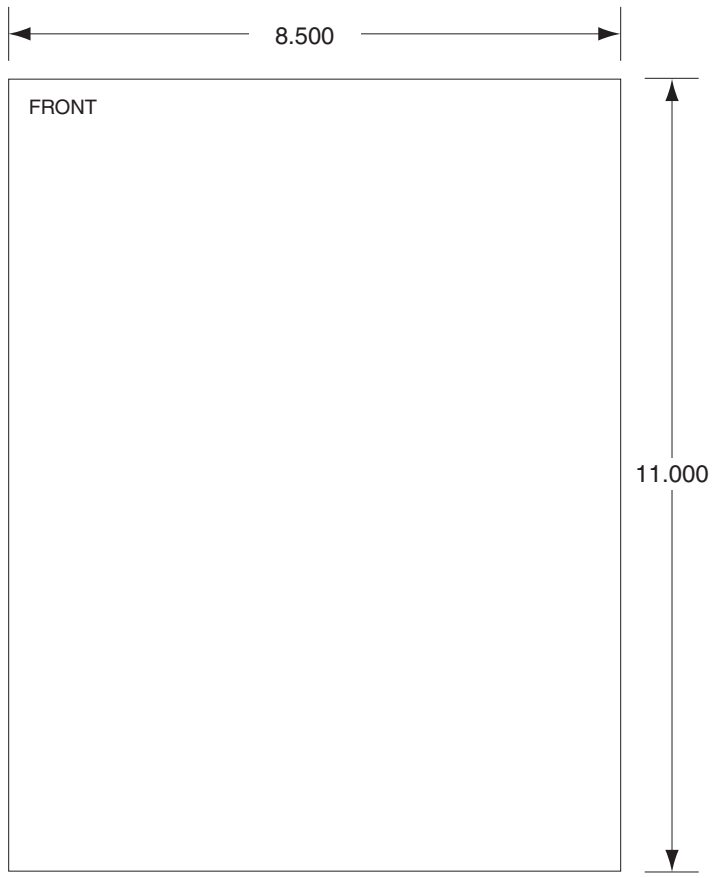


4

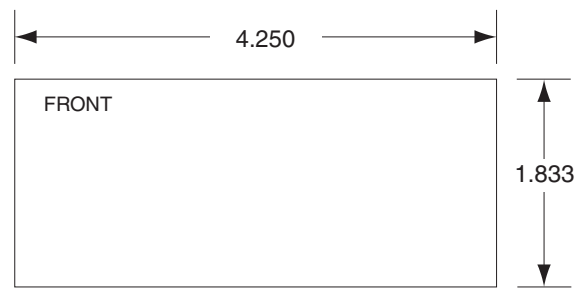
2 1/8" (54 mm) → **5a** OR O OU **5b**

OR O OU





BEGINNING SHEET



FOLDED SHEET

Additional Notes:
None

Revision History						Revision Description:					
A	B	C	D	E	F	F > Revise artwork.					
002333	012228	012950	014937	016577	042575						
Material White Paper						Edited By	Approved By	EC Number	Release Date		
						R. Byun	M. Sasso	042575	01-01-14		
Notes 1. printed two sides 2. printed black 3. tolerance: ± .13 4. see sheet 2 for artwork 5. printed in country may vary 6. drawings not to scale						Title B60, B60F, B62 IS					
						Creation Date	Number			Revision	
						01-28-2011	P515-788			F	
						Created By M. Sasso		Activity 3899 Hancock Expwy Security, CO 80911		Allegion Copyright © 2014	
Software: Illustrator CS6											