



OPERATOR'S MANUAL

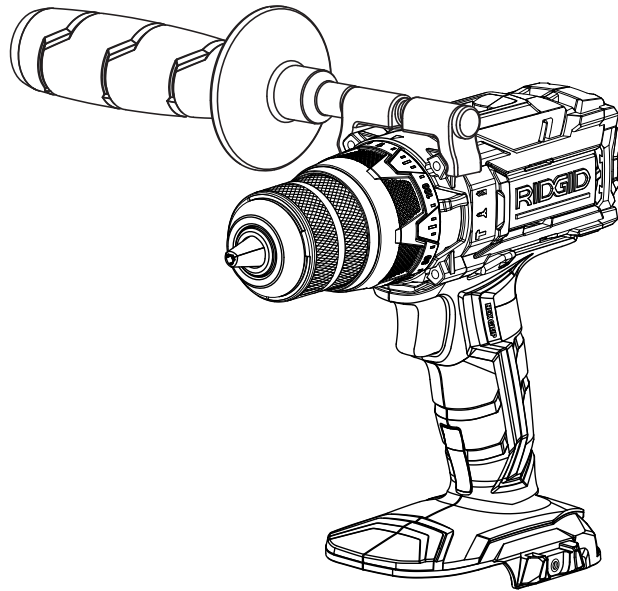
MANUEL D'UTILISATION
MANUAL DEL OPERADOR

18 VOLT 2-SPEED HAMMER DRILL

PERCEUSE À PERCUSSION
2 VITESSES 18 V

TALADRO DE PERCUSIÓN
DE 2 VELOCIDADES DE 18 V

R8611503



To register your RIDGID® product, please visit:
<http://register.RIDGID.com>

Pour enregistrer votre produit de RIDGID®, s'il vous plaît la visite:
<http://register.RIDGID.com>

Para registrar su producto de RIDGID®, por favor visita:
<http://register.RIDGID.com>

INCLUDES: Hammer Drill, Auxiliary Handle Assembly, Operator's Manual

TABLE OF CONTENTS

- General Power Tool Safety Warnings2-3
- Hammer Drill Safety Warnings3
- Symbols.....4
- Features.....5
- Assembly5
- Operation.....6-8
- Maintenance9
- Illustrations10
- Parts Ordering/ServiceBack page

WARNING:

To reduce the risk of injury, the user must read and understand the operator's manual before using this product.

**SAVE THIS MANUAL
FOR FUTURE REFERENCE**

INCLUT: Perceuse à percussion, poignée auxiliaire, manuel d'utilisation

TABLE DES MATIÈRES

- Avertissements de sécurité générales relatives aux outils électriques2-3
- Avertissements de sécurité relatifs perceuse à percussion3
- Symboles.....4
- Caractéristiques4
- Assemblage.....5
- Utilisation.....5-8
- Entretien8
- Illustrations10
- Commande de pièces/dépannagePage arrière

AVERTISSEMENT :

Pour réduire les risques de blessures, l'utilisateur doit lire et veiller à bien comprendre le manuel d'utilisation avant d'utiliser ce produit.

**CONSERVER CE MANUEL
POUR FUTURE RÉFÉRENCE**

INCLUYE: Taladro de percusión, conjunto de mango auxiliar, manual del operador

ÍNDICE DE CONTENIDO

- Advertencias de seguridad generales para la herramienta eléctrica2-3
- Advertencias de seguridad de taladro de percusión3
- Símbolos4
- Características5
- Armado5-6
- Funcionamiento6-9
- Mantenimiento9
- Ilustraciones10
- Pedidos de repuestos/servicioPág. posterior

ADVERTENCIA:

Para reducir el riesgo de lesiones, el usuario debe leer y comprender el manual del operador antes de usar este producto.

**GUARDE ESTE MANUAL
PARA FUTURAS CONSULTAS**

GENERAL POWER TOOL SAFETY WARNINGS

WARNING

Read all safety warnings and all instructions. Failure to follow the warnings and instructions may result in electric shock, fire and/or serious injury.

Save all warnings and instructions for future reference. The term “power tool” in the warnings refers to your mains-operated (corded) power tool or battery-operated (cordless) power tool.

WORK AREA SAFETY

- **Keep work area clean and well lit.** Cluttered or dark areas invite accidents.
- **Do not operate power tools in explosive atmospheres, such as in the presence of flammable liquids, gases or dust.** Power tools create sparks which may ignite the dust or fumes.
- **Keep children and bystanders away while operating a power tool.** Distractions can cause you to lose control.

ELECTRICAL SAFETY

- **Power tool plugs must match the outlet. Never modify the plug in any way. Do not use any adapter plugs with earthed (grounded) power tools.** Unmodified plugs and matching outlets will reduce risk of electric shock.
- **Avoid body contact with earthed or grounded surfaces such as pipes, radiators, ranges and refrigerators.** There is an increased risk of electric shock if your body is earthed or grounded.
- **Do not expose power tools to rain or wet conditions.** Water entering a power tool will increase the risk of electric shock.
- **Do not abuse the cord. Never use the cord for carrying, pulling or unplugging the power tool. Keep cord away from heat, oil, sharp edges or moving parts.** Damaged or entangled cords increase the risk of electric shock.
- **When operating a power tool outdoors, use an extension cord suitable for outdoor use.** Use of a cord suitable for outdoor use reduces the risk of electric shock.
- **If operating a power tool in a damp location is unavoidable, use a ground fault circuit interrupter (GFCI) protected supply.** Use of a GFCI reduces the risk of electric shock.
- **Use battery only with charger listed. For use with 18V nickel-cadmium and 18V lithium-ion battery packs, see tool/appliance/battery pack/charger correlation supplement 988000-302.**

PERSONAL SAFETY

- **Stay alert, watch what you are doing and use common sense when operating a power tool. Do not use a power tool while you are tired or under the influence of drugs, alcohol or medication.** A moment of inattention while operating power tools may result in serious personal injury.

- **Use personal protective equipment. Always wear eye protection.** Protective equipment such as dust mask, non-skid safety shoes, hard hat, or hearing protection used for appropriate conditions will reduce personal injuries.
- **Prevent unintentional starting. Ensure the switch is in the off-position before connecting to power source and/or battery pack, picking up or carrying the tool.** Carrying power tools with your finger on the switch or energising power tools that have the switch on invites accidents.
- **Remove any adjusting key or wrench before turning the power tool on.** A wrench or a key left attached to a rotating part of the power tool may result in personal injury.
- **Do not overreach. Keep proper footing and balance at all times.** This enables better control of the power tool in unexpected situations.
- **Dress properly. Do not wear loose clothing or jewellery. Keep your hair, clothing and gloves away from moving parts.** Loose clothes, jewellery or long hair can be caught in moving parts.
- **If devices are provided for the connection of dust extraction and collection facilities, ensure these are connected and properly used.** Use of dust collection can reduce dust-related hazards.
- **Do not wear loose clothing or jewelry. Contain long hair.** Loose clothes, jewelry, or long hair can be drawn into air vents.
- **Do not use on a ladder or unstable support.** Stable footing on a solid surface enables better control of the power tool in unexpected situations.

POWER TOOL USE AND CARE

- **Do not force the power tool. Use the correct power tool for your application.** The correct power tool will do the job better and safer at the rate for which it was designed.
- **Do not use the power tool if the switch does not turn it on and off.** Any power tool that cannot be controlled with the switch is dangerous and must be repaired.
- **Disconnect the plug from the power source and/or the battery pack from the power tool before making any adjustments, changing accessories, or storing power tools.** Such preventive safety measures reduce the risk of starting the power tool accidentally.
- **Store idle power tools out of the reach of children and do not allow persons unfamiliar with the power tool or these instructions to operate the power tool.** Power tools are dangerous in the hands of untrained users.
- **Maintain power tools. Check for misalignment or binding of moving parts, breakage of parts and any other condition that may affect the power tool's operation. If damaged, have the power tool repaired before use.** Many accidents are caused by poorly maintained power tools.
- **Keep cutting tools sharp and clean.** Properly maintained cutting tools with sharp cutting edges are less likely to bind and are easier to control.

GENERAL POWER TOOL SAFETY WARNINGS

- **Use the power tool, accessories and tool bits etc. in accordance with these instructions, taking into account the working conditions and the work to be performed.** Use of the power tool for operations different from those intended could result in a hazardous situation.

BATTERY TOOL USE AND CARE

- **Recharge only with the charger specified by the manufacturer.** A charger that is suitable for one type of battery pack may create a risk of fire when used with another battery pack.
- **Use power tools only with specifically designated battery packs.** Use of any other battery packs may create a risk of injury and fire.
- **When battery pack is not in use, keep it away from other metal objects, like paper clips, coins, keys, nails, screws or other small metal objects, that can make a connection from one terminal to another.** Shorting the battery terminals together may cause burns or a fire.

- **Under abusive conditions, liquid may be ejected from the battery; avoid contact. If contact accidentally occurs, flush with water. If liquid contacts eyes, additionally seek medical help.** Liquid ejected from the battery may cause irritation or burns.

SERVICE

- **Have your power tool serviced by a qualified repair person using only identical replacement parts.** This will ensure that the safety of the power tool is maintained.
- **When servicing a power tool, use only identical replacement parts. Follow instructions in the Maintenance section of this manual.** Use of unauthorized parts or failure to follow Maintenance instructions may create a risk of shock or injury.




HAMMER DRILL SAFETY WARNINGS

- **Wear ear protectors when impact drilling.** Exposure to noise can cause hearing loss.
- **Use auxiliary handle(s), if supplied with the tool.** Loss of control can cause personal injury.
- **Hold power tool by insulated gripping surfaces, when performing an operation where the cutting accessory may contact hidden wiring.** Cutting accessory contacting a “live” wire may make exposed metal parts of the power tool “live” and could give the operator an electric shock.
- **Know your power tool. Read operator’s manual carefully. Learn its applications and limitations, as well as the specific potential hazards related to this power tool.** Following this rule will reduce the risk of electric shock, fire, or serious injury.
- **Always wear eye protection with side shields marked to comply with ANSI Z87.1 when assembling parts, operating the tool, or performing maintenance.** Following this rule will reduce the risk of serious personal injury.
- **Protect your lungs. Wear a face or dust mask if the operation is dusty.** Following this rule will reduce the risk of serious personal injury.
- **Protect your hearing. Wear hearing protection during extended periods of operation.** Following this rule will reduce the risk of serious personal injury.
- **Battery tools do not have to be plugged into an electrical outlet; therefore, they are always in operating condition. Be aware of possible hazards when not using your battery tool or when changing accessories.** Following this rule will reduce the risk of electric shock, fire, or serious personal injury.







- **Do not place battery tools or their batteries near fire or heat.** This will reduce the risk of explosion and possibly injury.
- **Do not crush, drop or damage battery pack. Do not use a battery pack or charger that has been dropped or received a sharp blow.** A damaged battery is subject to explosion. Properly dispose of a dropped or damaged battery immediately.
- **Batteries can explode in the presence of a source of ignition, such as a pilot light.** To reduce the risk of serious personal injury, never use any cordless product in the presence of open flame. An exploded battery can propel debris and chemicals. If exposed, flush with water immediately.
- **Do not charge battery tool in a damp or wet location.** Following this rule will reduce the risk of electric shock.
- **For best results, your battery tool should be charged in a location where the temperature is more than 50°F but less than 100°F.** To reduce the risk of serious personal injury, do not store outside or in vehicles.
- **Under extreme usage or temperature conditions, battery leakage may occur. If liquid comes in contact with your skin, wash immediately with soap and water. If liquid gets into your eyes, flush them with clean water for at least 10 minutes, then seek immediate medical attention.** Following this rule will reduce the risk of serious personal injury.
- **Save these instructions.** Refer to them frequently and use them to instruct others who may use this tool. If you loan someone this tool, loan them these instructions also.

SYMBOLS

The following signal words and meanings are intended to explain the levels of risk associated with this product.

SYMBOL	SIGNAL	MEANING
	DANGER:	Indicates an imminently hazardous situation, which, if not avoided, will result in death or serious injury.
	WARNING:	Indicates a potentially hazardous situation, which, if not avoided, could result in death or serious injury.
	CAUTION:	Indicates a potentially hazardous situation, which, if not avoided, may result in minor or moderate injury.
	NOTICE:	(Without Safety Alert Symbol) Indicates important information not related to an injury hazard, such as a situation that may result in property damage.

Some of the following symbols may be used on this product. Please study them and learn their meaning. Proper interpretation of these symbols will allow you to operate the product better and safer.

SYMBOL	NAME	DESIGNATION/EXPLANATION
	Safety Alert	Indicates a potential personal injury hazard.
	Read Operator's Manual	To reduce the risk of injury, user must read and understand operator's manual before using this product.
	Eye and Hearing Protection	Always wear eye protection with side shields marked to comply with ANSI Z87.1 as well as hearing protection when operating this equipment.
	Wet Conditions Alert	Do not expose to rain or use in damp locations.
	Recycle Symbols	This product uses nickel-cadmium (Ni-Cd) and lithium-ion (Li-ion) batteries. Local, state, or federal laws may prohibit disposal of batteries in ordinary trash. Consult your local waste authority for information regarding available recycling and/or disposal options.
V	Volts	Voltage
min	Minutes	Time
	Direct Current	Type or a characteristic of current
n_0	No Load Speed	Rotational speed, at no load
.../min	Per Minute	Revolutions, strokes, surface speed, orbits etc., per minute

FEATURES

PRODUCT SPECIFICATIONS

No Load Speed	0-450/0-1,600 r/min. (RPM)
Impact Speed	0-7,200/0-25,600 IPM

ASSEMBLY

UNPACKING

This product requires assembly.

- Carefully remove the tool and any accessories from the box. All items listed in the **Includes** section must be included at the time of purchase.

WARNING:

Items in this *Assembly* section are not assembled to the product by the manufacturer and require customer installation. Use of a product that may have been improperly assembled could result in serious personal injury.

-
- If any parts are damaged or missing, please call 1-866-539-1710 for assistance.

WARNING:

If any parts are damaged or missing do not operate this product until the parts are replaced. Use of this product with damaged or missing parts could result in serious personal injury.

WARNING:

Do not attempt to modify this product or create accessories or attachments not recommended for use with this product. Any such alteration or modification is misuse and could result in a hazardous condition leading to possible serious personal injury.

INSTALLING/REMOVING THE AUXILIARY HANDLE ASSEMBLY

See Figures 1 - 2, page 10.

The auxiliary handle assembly has handle position options.

To install the auxiliary handle assembly:

- Remove the battery pack.
- Turn the handle grip counterclockwise to loosen it and open the hooks wide enough to fit over the mounting ribs, behind the torque adjustment ring.
- Place the hooks over the mounting ribs, making sure the hooks are positioned in the slots as shown.
NOTE: Make sure the notches on the inside of the auxiliary handle engage the tabs on the drill housing.
- Turn the handle grip clockwise to tighten. Make sure the handle assembly is secure before beginning operation.

To remove the handle assembly and install it on the opposite side:

- Turn the handle grip counterclockwise to loosen and remove the handle assembly.
- Reinstall the handle assembly in the desired position.
NOTE: The auxiliary handle assembly may also be installed in a vertical position as shown.

OPERATION

WARNING:

Do not allow familiarity with this product to make you careless. Remember that a careless fraction of a second is sufficient to inflict serious injury.

WARNING:

Always remove battery pack from the tool when you are assembling parts, making adjustments, cleaning, or when not in use. Removing battery pack will prevent accidental starting that could cause serious personal injury.

WARNING:

Always wear eye protection with side shields marked to comply with ANSI Z87.1, along with hearing protection. Failure to do so could result in objects being thrown into your eyes and other possible serious injuries.

WARNING:

Do not use any attachments or accessories not recommended by the manufacturer of this product. The use of attachments or accessories not recommended can result in serious personal injury.

APPLICATIONS

You may use this product for the purposes listed below:

- Hammer drilling in concrete, brick, or other masonry
- Drilling in all types of wood products (lumber, plywood, paneling, composition board, and hard board), ceramics, plastics, fiberglass, laminates, and metals; driving screws into wood and drywall with screwdriver bits

VARIABLE SPEED SWITCH TRIGGER

See Figure 3, page 11.

The variable speed switch trigger delivers higher speed with increased trigger pressure and lower speed with decreased trigger pressure.

To turn the drill **ON**, depress the switch trigger. To turn it **OFF**, release the switch trigger and allow the chuck to come to a complete stop.

NOTE: A whistling or ringing noise coming from the switch during use is a normal part of the switch function.

DIRECTION OF ROTATION SELECTOR (FORWARD/REVERSE/CENTER LOCK)

See Figure 3, page 11.

Set the direction of rotation selector in the **OFF** (center lock) position to lock the switch trigger and help prevent accidental starting when not in use.

Position the direction of rotation selector to the left of the switch trigger for forward drilling. Position the selector to the right of the switch trigger to reverse the direction.

NOTE: The drill will not run unless the direction of rotation selector is pushed fully to the left or right.

NOTICE:

To prevent gear damage, always allow the chuck to come to a complete stop before changing the direction of rotation.

WARNING:

Battery tools are always in operating condition. Lock the switch when not in use or carrying at your side, when installing or removing the battery pack, and when installing or removing bits.

INSTALLING/REMOVING BATTERY PACK

See Figure 4, page 11.

- Lock the switch trigger.
- Insert the battery pack into the product as shown.
- Make sure the latches on each side of the battery pack snap into place and that battery pack is secured in the product before beginning operation.
- Depress the latches to remove the battery pack.

INSTALLING/REMOVING BITS

See Figures 5 - 6, page 11.

The arrows on the keyless chuck indicate which direction to rotate the chuck sleeve to tighten or release the drill bit.

Do not use a wrench to tighten or loosen the chuck jaws.

- **To install bits**, lock the switch trigger.
- Open or close the chuck jaws until the opening is slightly larger than the bit size you intend to use.
- Raise the front of the drill slightly and insert the drill bit.

OPERATION

WARNING:

Make sure to insert the drill bit straight into the chuck jaws. Do not insert the drill bit into the chuck jaws at an angle, then tighten. This could cause the drill bit to be thrown from the drill, resulting in possible serious personal injury or damage to the chuck.

- Rotate the chuck sleeve to close and tighten the chuck jaws.

WARNING:

Do not hold the chuck sleeve with one hand and use the power of the drill to tighten the chuck jaws on the drill bit. The chuck sleeve could slip in your hand, or your hand could slip and come in contact with the rotating drill bit. This could cause an accident resulting in serious personal injury.

- **To remove bits**, lock the switch trigger and open the chuck jaws.
- The bit provided with the drill can be placed in the storage area, located on the rear base of the drill.

LED LIGHT

See Figure 7, page 11.

The LEDs emit light from the front of the chuck when either the switch trigger or grip light switch is depressed.

If the drill is not in use, the time-out feature will cause the light to start fading and then shut off.

The LED light illuminates only when there is a charged battery pack in the tool.

TWO-SPEED GEAR TRAIN (HI-LO SWITCH)

See Figure 8, page 11.

- Select **LO (1)** speed for applications requiring higher power and torque.
- Select **HI (2)** speed for fast drilling or driving applications.

NOTE: Running at low speeds under constant usage may cause the drill to become overheated. If this occurs, cool the drill by running it without a load and at full speed.

NOTICE:

Never change speeds while the tool is running. Failure to obey this caution could result in serious damage to the drill.

ADJUSTING TORQUE

See Figure 9, page 11.

When using the hammer drill for various driving applications, it becomes necessary to increase or decrease the torque to help prevent the possibility of damaging screw heads, threads, workpiece, etc. In general, torque intensity should correspond to the screw diameter. If the torque is too high or the screws too small, the screws may be damaged or broken.

The torque is greater when the torque adjustment ring is set on a higher setting. The torque is less when the torque adjustment ring is set on a lower setting.

NOTE: The torque adjustment ring only functions in drive mode.

SELECTING DRILL, DRIVE, OR HAMMER MODE

See Figure 10, page 12.

Drill mode should be used for drilling and other heavy duty applications. Drive mode should be used for driving screws. Hammer mode should be used for hammer drilling.

Select the option that best matches the type of bit, fastener, and material you will be using.

- Choose your application.
- Choose the correct speed: **LO (1)** or **HI (2)**.
- Choose the correct mode: drill, drive or hammer.

NOTE: The hammer drill has not been designed for reverse hammering.

Use carbide-tipped bits and select hammer mode when drilling in hard materials such as brick, concrete, etc.

Use carbide-tipped bits and select drill mode when drilling in materials with hard, brittle surfaces such as tile, etc.

Use twist drills, hole saws, etc. and drill mode when drilling in soft materials.

NOTE: When drilling in hammer mode, it is advisable to use **LO (1)** Speed.

DRILLING/DRIVING SCREWS

See Figure 11, page 12.

- Install the auxiliary handle.
- Check the direction of rotation selector for the correct setting (forward or reverse).
- Use **LO (1)** speed for high torque applications and **HI (2)** speed for fast drilling or driving applications. Refer to *Two-Speed Gear Train* and *Adjusting Torque*.
- Secure the workpiece in a vise or with clamps to keep it from turning as the bit rotates.

OPERATION

- Hold the drill firmly and place the bit at the point to be drilled, or where the screw is to be driven.

WARNING:

Do not drive a screw where there is likely to be hidden wiring behind the surface. Contact with a “live” wire will make exposed metal parts of the tool “live” and possibly shock the operator. If you must drive a screw where hidden wire may be present, always hold tool by insulated gripping surfaces (handle) when performing the operation to prevent a shock to the operator.

-
- Depress the switch trigger to start the drill.
 - Move the bit into the workpiece, applying only enough pressure to keep the bit cutting or driving the screw. Do not force the drill or apply side pressure to elongate a hole. Let the tool do the work.

WARNING:

When drilling, be prepared for binding at bit breakthrough. When these situations occur, drill has a tendency to grab and kick opposite to the direction of rotation and could cause loss of control when breaking through material. If not prepared, this loss of control can result in possible serious injury.

-
- With hard, smooth surfaces, use a center punch to mark the desired hole location. This will prevent the bit from slipping off-center as the hole is started.
 - If the bit jams in the workpiece or if the drill stalls, stop the tool immediately. Remove the bit from the workpiece and determine the reason for jamming.

NOTE: This drill has an electric brake. When the switch trigger is released, the chuck stops turning. When the brake is functioning properly, sparks will be visible through the vent slots on the housing. This is normal and is the action of the brake.

WOOD AND METAL DRILLING

For maximum performance, use high speed steel bits for wood or metal drilling. Select drilling mode. Begin drilling at a very low speed to prevent the bit from slipping off the starting point.

Wood Drilling

- Increase the speed as the drill bit bites into the material.
- When drilling through holes, place a block of wood behind the workpiece to prevent ragged or splintered edges on the back side of the hole.

Metal and Steel Drilling

- Use a light oil on the drill bit to keep it from overheating. The oil will prolong the life of the bit and increase the drilling action.
- Maintain a speed and pressure which allows cutting without overheating the bit. Applying too much pressure will:
 - Overheat the drill;
 - Wear the bearings;
 - Bend or burn bits; and
 - Produce off-center or irregular-shaped holes.
- When drilling large holes in metal, start with a small bit, then finish with a larger bit.

MASONRY DRILLING

For maximum performance, use carbide-tipped masonry impact bits or designated hammer drill bits when drilling holes in brick, tile, concrete, etc. Select hammer mode.

- Apply light pressure at medium speed for best results in brick.
- Apply additional pressure for hard materials such as concrete.
- When drilling holes in tile, practice on a scrap piece to determine the best speed and pressure. Begin drilling at a very low speed to prevent the bit from slipping off the starting point.

MAINTENANCE

WARNING:

When servicing, use only identical replacement parts. Use of any other parts could create a hazard or cause product damage.

GENERAL MAINTENANCE

Avoid using solvents when cleaning plastic parts. Most plastics are susceptible to damage from various types of commercial solvents and may be damaged by their use. Use clean cloths to remove dirt, dust, oil, grease, etc.

CALIFORNIA PROPOSITION 65

WARNING:

This product and some dust created by power sanding, sawing, grinding, drilling, and other construction activities may contain chemicals, including lead, known to the State of California to cause cancer, birth defects, or other reproductive harm. ***Wash hands after handling.***

Some examples of these chemicals are:

- lead from lead-based paints,
- crystalline silica from bricks and cement and other masonry products and,
- arsenic and chromium from chemically treated lumber.

Your risk from exposure to these chemicals varies, depending on how often you do this type of work. To reduce your exposure, work in a well-ventilated area and with approved safety equipment, such as dust masks that are specially designed to filter out microscopic particles.

**NOTE: ILLUSTRATIONS START ON PAGE 10
AFTER FRENCH AND SPANISH LANGUAGE SECTIONS.**

**This product has a 90-Day Satisfaction Guarantee Policy, as
well as a Three-year Limited Warranty.**

**For Warranty and Policy details, please go to
www.RIDGID.com or call (toll free) 1-866-539-1710.**

RÈGLES DE SÉCURITÉ RELATIVES AUX OUTILS ÉLECTRIQUES

AVERTISSEMENT

Lire tous les avertissements et toutes les instructions. Ne pas suivre l'ensemble des avertissements et des instructions peut entraîner une électrocution, un incendie ou des blessures graves.

Conserver les avertissements et les instructions à des fins de référence ultérieure. Le terme « outil motorisé », utilisé dans tous les avertissements ci-dessous désigne tout outil fonctionnant sur secteur (câblé) ou sur piles (sans fil).

SÉCURITÉ DU LIEU DE TRAVAIL

- **Garder le lieu de travail propre et bien éclairé.** Les endroits encombrés ou sombres sont propices aux accidents.
- **Ne pas utiliser d'outils électriques dans des atmosphères explosives, par exemple en présence de liquides, gaz ou poussières inflammables.** Les outils électriques produisent des étincelles risquant d'enflammer les poussières ou vapeurs.
- **Garder les enfants et badauds à l'écart pendant l'utilisation d'un outil électrique.** Les distractions peuvent causer une perte de contrôle.

SÉCURITÉ ÉLECTRIQUE

- **Les fiches des outils électriques doivent correspondre à la prise secteur utilisée. Ne jamais modifier la fiche, de quelque façon que ce soit. Ne jamais utiliser d'adaptateurs de fiche avec des outils mis à la terre.** Les fiches et prises non modifiées réduisent le risque de choc électrique.
- **Éviter tout contact du corps avec des surfaces mises à la terre, telles que tuyaux, radiateurs, cuisinières et réfrigérateurs.** Le risque de choc électrique est accru lorsque le corps est mis à la terre.
- **Ne pas exposer les outils électriques à l'eau ou l'humidité.** La pénétration d'eau dans ces outils accroît le risque de choc électrique.
- **Ne pas maltraiter le cordon d'alimentation. Ne jamais utiliser le cordon d'alimentation pour transporter l'outil et ne jamais débrancher ce dernier en tirant sur le cordon. Garder le cordon à l'écart de la chaleur, de l'huile, des objets tranchants et des pièces en mouvement.** Un cordon endommagé ou emmêlé accroît le risque de choc électrique.
- **Pour les travaux à l'extérieur, utiliser un cordon spécialement conçu à cet effet.** Utiliser un cordon conçu pour l'usage extérieur pour réduire les risques de choc électrique.
- **S'il est nécessaire d'utiliser l'outil électrique dans un endroit humide, employer un dispositif interrupteur de défaut à la terre (GFCI).** L'utilisation d'un GFCI réduit le risque de décharge électrique.
- **Ne recharger les piles qu'avec l'appareil indiqué.** Pour utiliser l'appareil avec des piles au nickel-cadmium et au lithium-ion de 18 V, consulter le supplément de raccordement pour chargeur/outils/piles/appareil n° 988000-302.

SÉCURITÉ PERSONNELLE

- **Rester attentif, prêter attention au travail et faire preuve de bon sens lors de l'utilisation de tout outil électrique. Ne pas utiliser cet outil en état de fatigue ou sous l'influence de l'alcool, de drogues ou de médicaments.** Un moment d'inattention pendant l'utilisation d'un outil électrique peut entraîner des blessures graves.

- **Utiliser l'équipement de sécurité. Toujours porter une protection oculaire.** L'équipement de sécurité, tel qu'un masque filtrant, de chaussures de sécurité, d'un casque ou d'une protection auditive, utilisé dans des conditions appropriées réduira le risque de blessures.
- **Éviter les démarrages accidentels. S'assurer que le commutateur est en position d'arrêt avant de brancher l'outil.** Porter un outil avec le doigt sur son commutateur ou brancher un outil dont le commutateur est en position de marche peut causer un accident.
- **Retirer les clés de réglage avant de mettre l'outil en marche.** Une clé laissée sur une pièce rotative de l'outil peut causer des blessures.
- **Ne pas travailler hors de portée. Toujours se tenir bien campé et en équilibre.** Ceci permettra de mieux contrôler l'outil en cas de situation imprévue.
- **Porter une tenue appropriée. Ne porter ni vêtements amples, ni bijoux. Garder les cheveux, les vêtements et les gants à l'écart des pièces en mouvement.** Les vêtements amples, bijoux et cheveux longs peuvent se prendre dans les pièces en mouvement.
- **Si les outils sont équipés de dispositifs de dépoussiérage, s'assurer qu'ils sont connectés et correctement utilisés.** L'usage de ces dispositifs de dépoussiérage peut réduire les dangers présentés par la poussière.
- **Ne porter ni vêtements amples, ni bijoux. Attacher ou couvrir les cheveux longs.** Les vêtements amples, bijoux et cheveux longs peuvent se prendre dans les ouïes d'aération.
- **Ne pas utiliser l'outil sur une échelle ou un support instable.** Une bonne tenue et un bon équilibre permettent de mieux contrôler l'outil en cas de situation imprévue.

UTILISATION ET ENTRETIEN DES OUTILS ÉLECTRIQUES

- **Ne pas forcer l'outil. Utiliser l'outil approprié pour l'application.** Un outil approprié exécutera le travail mieux et de façon moins dangereuse s'il est utilisé dans les limites prévues.
- **Ne pas utiliser l'outil si le commutateur ne permet pas de le mettre en marche ou de l'arrêter.** Tout outil qui ne peut pas être contrôlé par son commutateur est dangereux et doit être réparé.
- **Débrancher l'outil et/ou retirer le bloc-piles avant d'effectuer des réglages, de changer d'accessoire ou de remiser l'outil.** Ces mesures de sécurité préventives réduisent les risques de démarrage accidentel de l'outil.
- **Ranger les outils motorisés hors de la portée des enfants et ne laisser personne n'étant pas familiarisé avec l'outil ou ces instructions utiliser l'outil.** Dans les mains de personnes n'ayant pas reçu des instructions adéquates, les outils sont dangereux.
- **Entretien des outils motorisés. Vérifier qu'aucune pièce mobile n'est mal alignée ou bloquée, qu'aucune pièce n'est brisée et s'assurer qu'aucun autre problème ne risque d'affecter le bon fonctionnement de l'outil. En cas de dommages faire réparer l'outil avant de l'utiliser de nouveau.** Beaucoup d'accidents sont causés par des outils mal entretenus.
- **Garder les outils bien affûtés et propres.** Des outils correctement entretenus et dont les tranchants sont bien affûtés risquent moins de se bloquer et sont plus faciles à contrôler.

RÈGLES DE SÉCURITÉ RELATIVES AUX OUTILS ÉLECTRIQUES

- **Utiliser l'outil, les accessoires et embouts, etc. conformément à ces instructions pour les applications pour lesquelles ils sont conçus, en tenant compte des conditions et du type de travail à exécuter.** L'usage d'un outil motorisé pour des applications pour lesquelles il n'est pas conçu peut être dangereux.

UTILISATION ET ENTRETIEN DE LA PILE

- **Ne recharger qu'avec l'appareil spécifié par le fabricant.** Un chargeur approprié pour un type de pile peut créer un risque d'incendie s'il est utilisé avec un autre type de pile.
- **Utiliser exclusivement le bloc-pile spécifiquement indiqué pour l'outil.** L'usage de tout autre bloc peut créer un risque de blessures et d'incendie.
- **Lorsque le bloc-piles n'est pas en usage, le garder à l'écart d'articles tels qu'attaches trombones, pièces de monnaie, clous, vis ou autres petits objets métalliques risquant d'établir le contact entre les deux bornes.** La mise en court-circuit des bornes de piles peut causer des étincelles, des brûlures ou un incendie.

- **En cas d'usage abusif, du liquide peut s'échapper des piles. Éviter tout contact avec ce liquide. En cas de contact accidentel, rincer immédiatement les parties atteintes avec de l'eau. En cas d'éclaboussure dans les yeux consulter un médecin.** Le liquide s'échappant des piles peut causer des irritations ou des brûlures.

DÉPANNAGE

- **Les réparations doivent être confiées à un technicien qualifié, utilisant exclusivement des pièces identiques à celles d'origine.** Ceci assurera le maintien de la sécurité de l'outil.
- **Utiliser exclusivement des pièces identiques à celles d'origine pour les réparations. Se conformer aux instructions de la section Entretien de ce manuel.** L'usage de pièces non autorisées ou le non-respect des instructions peut présenter des risques de choc électrique ou de blessures.




AVERTISSEMENTS DE SÉCURITÉ RELATIFS PERCEUSE À PERCUSSION

- **Porter des protecteurs d'oreilles avec les perceuses à percussion.** L'exposition au bruit peut entraîner une perte auditive.
- **Utiliser les poignées auxiliaires, si elles sont fournies avec l'outil.** La perte de contrôle peut causer des blessures.
- **Lorsque l'outil est utilisé pour un travail risquant de le mettre en contact avec des fils électriques cachés, le tenir par les surfaces de prise isolées.** Le contact d'un accessoire de coupe avec un fil sous tension « électrifie » les pièces métalliques exposées de l'outil et peut électrocuter l'utilisateur.
- **Apprendre à connaître l'outil. Lire attentivement le manuel d'utilisation. Apprendre les applications et les limites de l'outil, ainsi que les risques spécifiques relatifs à son utilisation.** Le respect de cette consigne réduira les risques d'incendie, de choc électrique et de blessures graves.
- **Toujours porter une protection oculaire munie d'écrans latéraux certifiée conforme à la norme ANSI Z87.1 lors du montage des pièces, du fonctionnement de l'outil ou au moment de l'entretien.** Le respect de cette règle réduira les risques de blessures graves.
- **Protection respiratoire. Porter un masque facial ou un masque antipoussière si le travail produit de la poussière.** Le respect de cette consigne réduira les risques de blessures graves.
- **Protection auditive. Porter une protection auditive lors de l'utilisation prolongée.** Le respect de cette règle réduira les risques de blessures graves.
- **Les outils fonctionnant sur piles n'ayant pas besoin d'être branchés sur une prise secteur, ils sont toujours en état de fonctionnement. Tenir compte des dangers possibles lorsque l'outil n'est pas en usage et lors du remplacement des piles.** Le respect de cette consigne réduira les risques d'incendie, de choc électrique et de blessures graves.







- **Ne pas placer les outils électriques sans fil ou leurs piles à proximité de flammes ou d'une source de chaleur.** Ceci réduira les risques d'explosion et de blessures.
- **Ne pas écraser, faire tomber ou endommager le bloc-piles. Ne jamais utiliser un bloc-piles ou un chargeur qui est tombé, a été écrasé, a reçu un choc violent ou a été endommagé de quelque façon que ce soit.** Une pile endommagée risque d'exploser. Éliminer immédiatement toute pile endommagée, selon une méthode appropriée.
- **Les piles peuvent exploser en présence d'une source d'allumage, telle qu'une veilleuse.** Pour réduire les risques de blessures graves, ne jamais utiliser un appareil sans fil, quel qu'il soit, en présence d'une flamme vive. En explosant, une pile peut projeter des débris et des produits chimiques. En cas d'exposition, rincer immédiatement les parties atteintes avec de l'eau.
- **Ne pas recharger un outil fonctionnant sur piles dans un endroit humide ou mouillé.** Le respect de cette règle réduira les risques de choc électrique.
- **Pour un résultat optimal, les piles de l'outil doivent être rechargées dans un local où la température est de 10 à 38 °C (50 à 100°F). Ne pas ranger l'outil à l'extérieur ou dans un véhicule.**
- **Si l'outil est utilisé de façon intensive ou sous des températures extrêmes, des fuites de pile peuvent se produire. En cas de contact du liquide avec la peau, rincer immédiatement la partie atteinte avec de l'eau. En cas d'éclaboussure dans les yeux, les rincer à l'eau fraîche pendant au moins 10 minutes, puis contacter immédiatement un médecin.** Le respect de cette règle réduira les risques de blessures graves.
- **Conserver ces instructions.** Les consulter fréquemment et les utiliser pour instruire les autres utilisateurs éventuels. Si cet outil est prêté, il doit être accompagné de ces instructions.

SYMBOLES

Les termes de mise en garde suivants et leur signification ont pour but d'expliquer le degré de risques associé à l'utilisation de ce produit.

SYMBOLE	SIGNAL	SIGNIFICATION
	DANGER:	Indique une situation extrêmement dangereuse qui, si elle n'est pas évitée, aura pour conséquences des blessures graves ou mortelles.
	AVERTISSEMENT :	Indique une situation potentiellement dangereuse qui, si elle n'est pas évitée, pourrait entraîner des blessures graves ou mortelles.
	ATTENTION :	Indique une situation potentiellement dangereuse qui, si elle n'est pas évitée, pourrait entraîner des blessures légères ou de gravité modérée.
	AVIS :	(Sans symbole d'alerte de sécurité) Indique une information importante ne concernant pas un risque de blessure comme une situation pouvant occasionner des dommages matériels.

Certains des symboles ci-dessous peuvent être utilisés sur produit. Veiller à les étudier et à apprendre leur signification. Une interprétation correcte de ces symboles permettra d'utiliser produit plus efficacement et de réduire les risques.

SYMBOLE	NOM	DÉSIGNATION / EXPLICATION
	Symbole d'alerte de sécurité	Indique un risque de blessure potentiel.
	Lire le manuel d'utilisation	Pour réduire les risques de blessures, l'utilisateur doit lire et veiller à bien comprendre le manuel d'utilisation avant d'utiliser ce produit.
	Protection oculaire et auditive	Toujours porter une protection oculaire munie d'écrans latéraux certifiée conforme à la norme ANSI Z87.1, ainsi qu'une protection auditive lors de l'utilisation de cet outil.
	Avertissement concernant l'humidité	Ne pas exposer à la pluie ou l'humidité.
	Symboles de recyclage	Ce produit utilise les piles de nickel-cadmium (Ni-Cd) ou lithium-ion (Li-ion). Les réglementations locales ou gouvernementales peuvent interdire de jeter les piles dans les ordures ménagères. Consulter les autorités locales compétentes pour les options de recyclage et/ou l'élimination.
V	Volts	Tension
min	Minutes	Temps
	Courant continu	Type ou caractéristique du courant
n_0	Vitesse à vide	Vitesse de rotation à vide
.../min	Par minute	Tours, coups, vitesse périphérique, orbites, etc., par minute

CARACTÉRISTIQUES

FICHE TECHNIQUE

Vitesse à vide0-450/0-1 600 r/min. (RPM)
 Coups (impacts)/minute* 0-7,200/0-25,600 IPM

ASSEMBLAGE

DÉBALLAGE

Ce produit nécessite un assemblage.

- Avec précaution, sortir l'outil et les accessoires de la boîte. Tous les articles énumérés sous « **Inclut** » doivent se trouver dans l'emballage au moment de l'achat.

AVERTISSEMENT :

Certaines pièces figurant dans cette section *Assemblage* n'ont pas été installées sur le produit par le fabricant et exigent une installation du client. Le fait d'utiliser un produit qui a été assemblé de façon inadéquate peut entraîner des blessures..

-
- Si des pièces manquent ou sont endommagées, appeler le 1-866-539-1710.

AVERTISSEMENT :

Si des pièces manquent ou sont endommagées, ne pas utiliser cet outil avant qu'elles aient été remplacées. Le non-respect de cet avertissement pourrait entraîner des blessures graves.

AVERTISSEMENT :

Ne pas essayer de modifier cet outil ou de créer des accessoires or attachments non recommandés pour l'outil. De telles altérations ou modifications sont considérées comme un usage abusif et peuvent créer des conditions dangereuses, risquant d'entraîner des blessures graves.

UTILISATION

AVERTISSEMENT :

Ne pas laisser la familiarité avec l'outil faire oublier la prudence. Ne pas oublier qu'une fraction de seconde d'inattention peut entraîner des blessures graves.

AVERTISSEMENT :

Toujours retirer la bloc-pile de l'outil au moment d'assembler des pièces, d'effectuer des réglages et de procéder au nettoyage, ou lorsque l'outil n'est pas utilisé. Si cette précaution n'est pas prise, des objets peuvent être projetés dans les yeux et causer des lésions graves.

INSTALLATION ET RETRAIT DE LA POIGNÉE AUXILIAIRE

Voir les figures 1 - 2, page 10.

AVERTISSEMENT :

Toujours utiliser la poignée auxiliaire pendant l'utilisation de l'outil pour prévenir les réactions causées par le couple. La déformation par torsion ou le blocage de ce produit peut entraîner des blessures graves.

La perceuse comprend une poignée auxiliaire ajustable d'un côté ou de l'autre de l'outil.

Pour installer la poignée auxiliaire :

- Retirer la bloc-pile.
- Tourner la poignée dans le sens antihoraire pour la desserrer et ouvrir les crochets assez largement pour couvrir les nervures de montage, derrière la bague de réglage du couple.
- Placer les crochets au-dessus des nervures de montage, et vérifier que les crochets sont placés dans les fentes comme il est illustré.
- Tourner la poignée dans le sens horaire pour serrer. S'assurer que la poignée est fixée solidement avant de commencer l'opération.

Pour retirer la poignée et l'installer sur le côté opposé :

- Tourner la poignée dans le sens antihoraire pour desserrer et retirer la poignée.
- Remettre la poignée à la position désirée.

NOTE : La poignée auxiliaire peut être installée en position verticale comme il est illustré.

AVERTISSEMENT :

Toujours porter une protection oculaire avec écrans latéraux certifiée conforme à la norme ANSI Z87.1. Si une opération dégage de la poussière, porter également un masque anti-poussière.

AVERTISSEMENT :

Ne pas essayer de modifier cet outil ou de créer des accessoires non recommandés pour ce produit. L'utilisation de pièces et accessoires non recommandés peut entraîner des blessures graves.

UTILISATION

APPLICATIONS

Cet outil ne doit être utilisé que pour les applications listées ci-dessous.

- Perçage en mode de percussion dans le béton, la brique et autres pièces de maçonnerie
- Perçage et du vissage de vis de produits du bois (bois d'oeuvre, contreplaqué, lambris, aggloméré et bois dur), céramique, plastique, fibre de verre, matériaux laminés, métaux mous et durs; Visser différents types de vis dans le bois et les cloisons sèches à l'aide d'embouts de tournevis

GÂCHETTE À VARIATION DE VITESSE

Voir la figure 3, page 11.

La gâchette avec variation de vitesse procurera des vitesses plus élevées si une pression accrue est exercée et des vitesses moins élevées dans le cas d'une pression réduite.

Pour mettre la perceuse **EN MARCHÉ**, appuyer sur la gâchette. Pour **ÉTEINDRE** la perceuse, relâcher la gâchette et laisser le mandrin parvenir à l'arrêt complet.

NOTE : Un bruit de sifflement ou de tintement provenant de la gâchette pendant l'utilisation est une situation normale pour cet interrupteur.

SÉLECTEUR DE SENS DE ROTATION

(AVANT/ARRIÈRE/POSITION CENTRALE VERROUILLÉE)

Voir la figure 3, page 11.

Régler le sélecteur de sens de rotation à la position **OFF** (position centrale verrouillée) pour verrouiller la gâchette pour réduire la possibilité d'un démarrage accidentel lorsque l'appareil n'est pas utilisé.

Positionner le sélecteur de sens de rotation du côté gauche de la gâchette pour pouvoir percer vers l'avant. Positionner le sélecteur de sens de rotation du côté droit de la gâchette pour inverser le sens de rotation.

NOTE : La perceuse ne peut fonctionner que si le sélecteur de sens de rotation est poussé à fond vers la droite ou la gauche.

AVIS :

Pour éviter des dommages aux engrenages, toujours laisser le mandrin parvenir à l'arrêt complet avant de changer de sens de rotation.

AVERTISSEMENT :

Les outils à piles sont toujours en état de fonctionnement. Verrouiller la gâchette lorsque l'outil n'est pas utilisé ou pour le transporter le long du corps, pour insérer ou retirer le bloc-piles et lors de l'installation ou du retrait des forets.

INSTALLATION/RETRAIT DU BLOC-PILES

Voir la figure 4, page 11.

- Verrouiller la gâchette.
- Insérer la pile dans l'outil comme illustré.
- S'assurer que les loquets de chaque côté de la pile s'enclenchent en place et que la pile est bien fixée à l'outil avant de mettre l'outil en marche.
- Relâcher les loquets pour retirer le bloc-piles.

INSTALLATION/RETRAIT FORETS

Voir les figures 5 et 6, page 11.

Les flèches sur le mandrin sans clé indiquent le sens de rotation du corps du mandrin pour serrer ou dégager le foret de la perceuse.

Ne pas utiliser une clé ordinaire ou une pince pour serrer ou desserrer les manchons du mandrin.

- **Pour insérer les forets**, verrouiller la gâchette.
- Ouvrir suffisamment les manchons du mandrin pour pouvoir y insérer le foret à utiliser.
- Relever légère la partie avant de la perceuse et insérer le foret.

AVERTISSEMENT :

Veiller à insérer le foret ou l'embout droit dans les manchons du mandrin. Ne pas insérer un foret dans les mors en serrant. Le foret pourrait être éjecté de la perceuse et causer des blessures graves ou endommager le mandrin.

- Faire tourner le corps du mandrin pour refermer et serrer les manchons du mandrin.

AVERTISSEMENT :

Ne pas tenir le corps du mandrin d'une main et utiliser la force du moteur pour serrer les manchons du mandrin sur le foret ou l'embout. Le mandrin pourrait glisser de la main et celle-ci risquerait d'être heurtée par le foret en rotation. Ceci pourrait entraîner des blessures graves.

- **Pour retirer les forets**, verrouiller la gâchette et ouvrir les manchons du mandrin.

- Il est possible de loger les embouts fournis avec la perceuse dans le rangement situé sur la base de l'outil.

LAMPE DÉL

Voir la figure 7, page 11.

Les DEL projettent la lumière depuis le bout du mandrin lorsque l'interrupteur à gâchette ou celui de la lampe sur poignée est enfoncé.

Lorsque la perceuse n'est pas en usage, la fonction d'arrêt fait en sorte que la lampe faiblit et s'éteint.

La lampe DÉL s'allume seulement lorsqu'un bloc-piles chargé se trouve dans l'outil.

UTILISATION

TRAIN D'ENGRENAGES À DEUX VITESSES

Voir la figure 8, page 11.

- Sélectionner la basse vitesse (**LO**) (**1**) pour des applications nécessitant plus de puissance et un couple plus élevé.
- Sélectionner la vitesse élevée (**HI**) (**2**) pour un perçage rapide ou pour d'autres applications.

NOTE : L'utilisation de la perceuse à faible vitesse de façon continue peut entraîner une surchauffe. Si la perceuse surchauffe, la refroidir en la laissant tourner à vide et à la vitesse maximum.

AVIS :

Ne jamais changer de gamme de vitesse lorsque l'outil est en fonctionnement. Le non respect de cette mise en garde pourrait entraîner de sérieux dommages à la perceuse.

RÉGLAGE DU COUPLE

Voir la figure 9, page 11.

Selon l'application pour laquelle la perceuse-tournevis est utilisée, le couple doit être augmenté ou réduit afin d'éviter d'endommager les têtes ou le filetage des vis, la pièce de bois, etc. En général, le couple à utiliser est déterminé par le diamètre de la vis. Si le couple est trop élevé pour la taille des vis, celles-ci risquent d'être endommagées ou brisées.

Le couple est plus élevé lorsque la bague est réglée sur une valeur plus élevée. Le couple est moins élevé lorsque la bague est réglée sur une valeur plus basse.

NOTE: Bien que la bague de réglage du couple tourne dans tous les modes, elle ne fonctionne que lorsque le mode de vissage est sélectionné.

SÉLECTION DU MODE DE PERÇAGE, DE VISSAGE OU DE PERCUSSION

Voir la figure 10, page 12.

Mode perçage doit être utilisé pour les applications de perçage et les travaux exigeants. Le mode entraînement doit être utilisé pour le vissage. Le mode martelage doit être utilisé pour le martelage.

Choisir l'option correspondant le mieux au type de foret, fixation et matériaux utilisés.

- Sélectionner l'application.
- Sélectionner la vitesse appropriée **BASSE (1)** ou **HAUTE (2)**.
- Sélectionner le mode approprié : vissage, perçage ou percussion.

NOTE : La perceuse à percussion n'a pas été conçue pour marteler en sens inverse.

Utiliser des embouts au carbure et sélectionner le mode martelage pour percer des matériaux rigides comme la brique, la céramique, le béton etc.

Utiliser des embouts avec pointe au carbure et sélectionner le mode de perçage pour percer des matériaux ayant une surface dure et friable comme les carreaux de céramique, etc.

Utiliser des forets hélicoïdaux, scies-cloches et autres puis sélectionner le mode de perçage pour percer des matériaux mous.

NOTE : Pour les applications de perçage en mode martelage, il est recommandé d'utiliser la vitesse basse, soit **LO (1)**.

PERÇAGE/VISSER DE VIS

Voir la figure 11, page 12.

Le niveau qui se trouvent sur le dessus du boîtier moteur permettent de s'assurer de l'alignement de la perceuse pendant l'utilisation.

- Installer la poignée auxiliaire.
- Vérifier la position du sélecteur de rotation (rotation avant ou arrière).
- Utiliser la vitesse **BASSE (1)** pour les applications exigeant beaucoup de puissance et de couple, et la vitesse **HAUTE (2)** pour visser ou percer rapidement. Se reporter aux sections *Train d'engrenages à deux vitesses* et *Réglage du couple*.
- Bloquer la pièce de travail dans un étau ou avec des serre-joint pour l'empêcher de tourner avec le foret.
- Tenir solidement la perceuse et positionner le foret à l'endroit où percer ou visser.

AVERTISSEMENT :

Ne pas enfoncer de vis dans des surfaces pouvant dissimuler des fils électriques. En cas de contact avec un fil sous tension, les parties métalliques de l'outil seraient mises sous tension et probablement choc l'opérateur. Si vous devez enfoncer une vis dans un endroit où des fils électriques cachés peuvent être présents, tenir l'outil par les surfaces de prise isolées pour éviter un choc électrique.

- Appuyer sur la gâchette pour mettre le foret en rotation.
- Percer en appuyant assez de pression sur la perceuse pour que le foret morde dans le matériau. Ne pas forcer la perceuse ou appliquer une force latérale pour ovaliser le trou. Laisser l'outil faire le travail.

AVERTISSEMENT :

Lors du perçage, se tenir prêt pour un blocage lorsque le foret traverse le matériau. Dans ces situations, la perceuse a tendance à être propulsée dans le sens contraire à la rotation, ce qui peut causer la perte de contrôle. Si l'opérateur n'est pas préparé, cette perte de contrôle peut entraîner des blessures graves.

- Avant de percer un matériau dur et lisse, poinçonner l'emplacement désiré du trou. Cette précaution empêchera le foret de glisser au départ du trou.
- Si le foret se bloque dans la pièce ou si la perceuse cale, l'arrêter immédiatement. Sortir le foret de la pièce et déterminer la raison du blocage.

NOTE : Cette perceuse est équipée d'un frein électrique. Lorsque la gâchette est relâchée, le mandrin cesse de tourner.

UTILISATION

Si le frein fonctionne correctement, des étincelles sont visibles au travers des trous d'aération du corps de la perceuse. Ces étincelles, causées par le fonctionnement du frein, sont normales.

PERÇAGE DU BOIS ET DU MÉTAL

Pour une performance optimale, utiliser des forets en acier haute vitesse pour percer le métal ou l'acier. Sélectionner le mode de perçage. Commencer le perçage à très basse vitesse pour éviter que la pointe du foret ne glisse.

Perçage du bois

- Augmenter la vitesse une fois que le foret a mordu dans le matériau.
- Lors du perçage de trous traversants, placer un morceau de bois derrière la pièce pour éviter l'éclatement du bord inférieur du trou.

Perçage du métal et de l'acier

- Avant de percer un matériau dur et lisse, poinçonner l'emplacement du trou. Cette précaution empêchera le foret de glisser au départ du trou.
- Appuyer sur la gâchette de façon à maintenir une vitesse ne causant pas la surchauffe du foret. Une pression excessive causerait :

- La surchauffe de la perceuse ;
 - Une usure excessive des roulements ;
 - La déformation ou le brûlage du foret: et
 - Des trous décentrés ou de forme irrégulière.
- Lors du perçage de gros trous dans le métal, commencer avec un foret de petite taille avant d'élargir le trou avec un foret de plus grande taille.

PERÇAGE DE PIÈCES DE MAÇONNERIE

Pour une performance optimale, utiliser des embouts pour percussion avec bout enduit au carbure pour la maçonnerie ou des embouts conçus pour les marteaux perforateurs pour percer des trous dans la brique, le carrelage, le ciment, etc. Mettre le sélecteur sur le perçage de percussion.

- Pour un résultat optimal dans la brique, appliquer une pression légère et utiliser une vitesse moyenne.
- Exercer une pression plus forte pour percer les matériaux durs, tels que le béton.
- Avant de percer dans la brique, pratiquer sur une chute pour déterminer la pression et la vitesse optimales. Commencer le perçage à basse vitesse pour éviter que la pointe du foret ne glisse.

ENTRETIEN



AVERTISSEMENT :

Utiliser exclusivement des pièces d'origine pour les réparations. L'usage de toute autre pièce pourrait créer une situation dangereuse ou endommager l'produit.

ENTRETIEN GÉNÉRAL

Éviter d'utiliser des solvants pour le nettoyage des pièces en plastique. La plupart des matières plastiques peuvent être endommagées par divers types de solvants du commerce. Utiliser un chiffon propre pour éliminer la saleté, la poussière, l'huile, la graisse, etc.

PROPOSITION 65 DE L'ÉTAT DE CALIFORNIE



AVERTISSEMENT :

Ce produit et la poussière dégagée lors du ponçage, sciage, meulage, perçage de certains matériaux et lors d'autres opérations de construction peuvent contenir des produits chimiques, notamment du plomb qui, selon l'État de la Californie, peuvent causer le cancer, des anomalies congénitales et d'autres dommages au système reproducteur. **Bien se laver les mains après toute manipulation.**

Voici certains exemples de ces produits chimiques :

- le plomb contenu dans la peinture au plomb,
- la silice cristalline contenue dans les briques, le béton et d'autres produits de maçonnerie, ainsi que,
- l'arsenic et le chrome contenus dans le bois de construction traité par produits chimiques.

Le risque présenté par l'exposition à ces produits varie en fonction de la fréquence de ce type de travail. Pour réduire l'exposition, travailler dans un endroit bien aéré et utiliser des équipements de sécurité approuvés tels que masques antipoussières spécialement conçus pour filtrer les particules microscopiques.

ILLUSTRATIONS COMMENÇANT SUR 10 DE PAGE APRÈS LA SECTION ESPAGNOL.

Ce produit est accompagné d'une politique de satisfaction de 90 jours et d'une garantie limitée de trois (3) ans. Pour obtenir les détails de la garantie et de la politique, visiter le site www.RIDGID.com ou appeler (sans frais) au 1-866-539-1710.

ADVERTENCIAS DE SEGURIDAD PARA HERRAMIENTAS ELÉCTRICAS



ADVERTENCIA

Lea todas las advertencias de seguridad y instrucciones. El incumplimiento de las advertencias e instrucciones puede ocasionar descarga eléctrica, fuego o lesiones graves.

Guarde todas las advertencias e instrucciones para futuras consultas. El término “herramienta eléctrica” empleado en todos los avisos de advertencia enumerados abajo se refiere a las herramientas eléctricas de cordón (alámbricas) y de baterías (inalámbricas).

SEGURIDAD EN EL ÁREA DE TRABAJO

- **Mantenga limpia y bien iluminada el área de trabajo.** Un área de trabajo mal despejada o mal iluminada propicia accidentes.
- **No utilice herramientas motorizadas en atmósferas explosivas, como las existentes alrededor de líquidos, gases y polvos inflamables.** Las herramientas eléctricas generan chispas que pueden encender el polvo y los vapores inflamables.
- **Mantenga alejados a los niños y circunstantes al maniobrar una herramienta eléctrica.** Toda distracción puede causar pérdida del control de la herramienta.

SEGURIDAD ELÉCTRICA

- **Las clavijas de las herramientas eléctricas deben corresponder a las tomas de corriente donde se conectan. Nunca modifique la clavija de ninguna forma. No utilice ninguna clavija adaptadora con herramientas eléctricas dotadas de contacto a tierra.** Conectando las clavijas originales en las tomas de corriente donde corresponden se disminuye el riesgo de una descarga eléctrica.
- **Evite el contacto del cuerpo con las superficies de objetos que estén haciendo tierra o estén conectados a ésta, como tuberías, radiadores, estufas y refrigeradores.** Existe un mayor riesgo de descargas eléctricas si el cuerpo está haciendo tierra.
- **No exponga las herramientas eléctricas a la lluvia ni a condiciones de humedad.** La introducción de agua en una herramienta eléctrica aumenta el riesgo de descargas eléctricas.
- **No maltrate el cordón eléctrico. Nunca utilice el cordón para trasladar, desconectar o tirar de la herramienta eléctrica. Mantenga el cordón alejado del calor, del aceite, de bordes afilados y de piezas móviles.** Los cordones eléctricos dañados o enredados aumentan el riesgo de descargas eléctricas.
- **Al utilizar una herramienta eléctrica a la intemperie, use un cordón de extensión apropiado para el exterior.** Usando un cordón adecuado para el exterior se disminuye el riesgo de descargas eléctricas.
- **Si inevitablemente debe utilizar una herramienta eléctrica en un lugar húmedo, utilice un interruptor de circuito con pérdida a tierra (GFCI) para tener un suministro protegido.** El uso de un GFCI disminuye el riesgo de descarga eléctrica.
- **Cargue las baterías solamente con el cargador indicado.** Para utilizar con paquetes de baterías de níquel-cadmio de 18 V o de iones de litio de 18 V, consulte el folleto de la herramienta/aparato/paquete de baterías/cargador complementario 988000-302.

SEGURIDAD PERSONAL

- **Permanezca alerta, preste atención a lo que esté haciendo y aplique el sentido común al utilizar herramientas eléctricas. No utilice la herramienta eléctrica si está cansado o se encuentra bajo los efectos de alguna droga, alcohol o medicamento.** Un momento de inatención al utilizar una herramienta eléctrica puede causar lesiones corporales serias.

- **Use equipo de seguridad. Siempre póngase protección ocular.** El uso de equipo de seguridad como mascarilla para el polvo, calzado de seguridad, casco y protección para los oídos en las circunstancias donde corresponda disminuye el riesgo de lesiones.
- **Evite un arranque accidental de la unidad. Asegúrese de que el interruptor esté en la posición de apagado antes de conectar la herramienta.** Portar las herramientas eléctricas con el dedo en el interruptor, o conectarlas con el interruptor puesto, propicia accidentes.
- **Retire toda llave o herramienta de ajuste antes de encender la herramienta eléctrica.** Toda llave o herramienta de ajuste dejada en una pieza giratoria de la herramienta eléctrica puede causar lesiones.
- **No estire el cuerpo para alcanzar mayor distancia. Mantenga una postura firme y buen equilibrio en todo momento.** De esta manera se logra un mejor control de la herramienta eléctrica en situaciones inesperadas.
- **Vístase adecuadamente. No vista ropas holgadas ni joyas. Mantenga el cabello, la ropa y los guantes alejados de las piezas móviles.** Las ropas holgadas, las joyas y el cabello largo pueden engancharse en las piezas móviles.
- **Si se suministran dispositivos para conectar mangueras de extracción y captación de polvo, asegúrese de que éstas estén bien conectadas y se usen correctamente.** La utilización de captador de polvo puede disminuir los peligros relacionados con el polvo.
- **No vista ropas holgadas ni joyas. Recójase el cabello si está largo.** Las ropas holgadas y las joyas, así como el cabello largo, pueden resultar atraídas hacia el interior de las aberturas de ventilación.
- **No utilice la unidad al estar en una escalera o en un soporte inestable.** Una postura estable sobre una superficie sólida permite un mejor control de la herramienta eléctrica en situaciones inesperadas.

EMPLEO Y CUIDADO DE LA HERRAMIENTA ELÉCTRICA

- **No fuerce la herramienta eléctrica. Utilice la herramienta eléctrica adecuada para cada trabajo.** La herramienta eléctrica adecuada efectúa mejor y de manera más segura el trabajo, si además se maneja a la velocidad para la que está diseñada.
- **No utilice la herramienta si el interruptor no enciende o no apaga.** Cualquier herramienta eléctrica que no pueda controlarse con el interruptor es peligrosa y debe repararse.
- **Desconecte la clavija del suministro de corriente o retire el paquete de baterías de la herramienta eléctrica, según sea el caso, antes de efectuarle cualquier ajuste, cambiarle accesorios o guardarla.** Tales medidas preventivas de seguridad reducen el riesgo de poner en marcha accidentalmente la herramienta.
- **Guarde las herramientas eléctricas desocupadas fuera del alcance de los niños y no permita que las utilicen personas no familiarizadas con las mismas o con estas instrucciones.** Las herramientas eléctricas son peligrosas en manos de personas no capacitadas en el uso de las mismas.
- **Preste servicio a las herramientas eléctricas. Revise para ver si hay desalineación o atoramiento de piezas móviles, ruptura de piezas o cualquier otra condición que pueda afectar el funcionamiento de la herramienta. Si está dañada la herramienta eléctrica, permita que la reparen antes de usarla.** Numerosos accidentes son causados por herramientas eléctricas mal cuidadas.

ADVERTENCIAS DE SEGURIDAD PARA HERRAMIENTAS ELÉCTRICAS

- **Mantenga las herramientas de corte afiladas y limpias.** Las herramientas de corte bien cuidadas y con bordes bien afilados, tienen menos probabilidad de atascarse en la pieza de trabajo y son más fáciles de controlar.
- **Utilice la herramienta eléctrica, los accesorios y brocas, hojas y cuchillas de corte, ruedas de esmeril, etc. de conformidad con estas instrucciones, tomando en cuenta las condiciones de trabajo y la tarea por realizar.** Si se utiliza la herramienta eléctrica para operaciones diferentes de las indicadas podría originar una situación peligrosa.

EMPLEO Y CUIDADO DE LA HERRAMIENTA DE BATERÍAS

- **Sólo cargue el paquete de baterías con el cargador especificado por el fabricante.** Un cargador adecuado para un tipo paquete de baterías puede significar un riesgo de incendio si se emplea con un paquete de baterías diferente.
- **Utilice las herramientas eléctricas sólo con los paquetes de baterías específicamente indicados.** El empleo de paquetes de baterías diferentes puede presentar un riesgo de incendio.
- **Cuando no esté utilizándose el paquete de baterías, manténgalo lejos de otros objetos metálicos, como clips,**

monedas, llaves, clavos, tornillos o otros objetos metálicos, pequeños que puedan establecer conexión entre ambas terminales. Establecer una conexión directa entre las dos terminales de las baterías puede causar quemaduras o incendios.

- **Si se maltratan las baterías, puede derramarse líquido de las mismas; evite todo contacto con éste. En caso de contacto, lávese con agua. Si el líquido llega a tocar los ojos, además busque atención médica.** El líquido de las baterías puede causar irritación y quemaduras.

SERVICIO

- **Permita que un técnico de reparación calificado preste servicio a la herramienta eléctrica, y sólo con piezas de repuesto idénticas.** De esta manera se mantiene la seguridad de la herramienta eléctrica.
- **Al dar servicio a una herramienta eléctrica, sólo utilice piezas de repuesto idénticas. Siga las instrucciones señaladas en la sección Mantenimiento de este manual.** El empleo de piezas no autorizadas o el incumplimiento de las instrucciones de mantenimiento puede significar un riesgo de descarga eléctrica o de lesiones.

ADVERTENCIAS DE SEGURIDAD DESTORNILLADOR PARA TORNILLOS EN TIRAS




- **Al utilizar taladros de impacto póngase protectores para los oídos.** La exposición a ruido puede producir la pérdida de la audición.
- **Utilice el o los mangos auxiliares, de venir provistos junto con la herramienta.** Cualquier pérdida de control puede causar lesiones personales.
- **Sujete las herramientas eléctricas por las superficies aisladas de sujeción al efectuar una operación en la cual la herramienta de corte pueda entrar en contacto con cables ocultos o con su propio cordón eléctrico.** Todo contacto de una herramienta con un cable cargado carga las piezas metálicas expuestas de la herramienta y da una descarga eléctrica al operador.
- **Familiarícese con su herramienta eléctrica. Lea cuidadosamente el manual del operador. Aprenda sus usos y limitaciones, así como los posibles peligros específicos de esta herramienta eléctrica.** Con el cumplimiento de esta regla se reduce el riesgo de una descarga eléctrica, incendio o lesión seria.
- **Siempre use protección ocular con laterales protectores con la marca de cumplimiento con la norma ANSI Z87.1 al ensamblar piezas, utilizar la herramienta o llevar a cabo tareas de mantenimiento.** Con el cumplimiento de esta regla se reduce el riesgo de lesiones corporales serias.
- **Protéjase los pulmones. Use una careta o mascarilla contra el polvo si la operación genera mucho polvo.** Con el cumplimiento de esta regla se reduce el riesgo de lesiones serias.
- **Protéjase los oídos. Durante períodos prolongados de utilización del producto, póngase protección para los oídos.** Con el cumplimiento de esta regla se reduce el riesgo de lesiones corporales serias.
- **No se necesita conectar a una toma de corriente las herramientas de baterías; por lo tanto, siempre están en condiciones de funcionamiento. Esté consciente de los**

posibles peligros cuando no esté usando la herramienta de baterías o cuando esté cambiando los accesorios de la misma. Con el cumplimiento de esta regla se reduce el riesgo de una descarga eléctrica, incendio o lesión corporal seria.






- **No coloque herramientas de baterías ni las baterías mismas cerca del fuego o del calor.** De esta manera se reduce el riesgo de explosiones y de lesiones.
- **No aplaste, deje caer o dañe de baterías. Nunca utilice una batería o cargador que se ha caído, aplastado, recibido un golpe contundente o ha sido dañado(a) de alguna manera.** Las baterías dañadas pueden sufrir explosiones. Deseche de inmediato toda batería que haya sufrido una caída o cualquier daño.
- **Las baterías pueden explotar en presencia de fuentes de inflamación, como los pilotos de gas.** Para reducir el riesgo de lesiones serias, nunca use un producto inalámbrico en presencia de llamas expuestas. La explosión de una batería puede lanzar fragmentos y compuestos químicos. Si ha quedado expuesto a la explosión de una batería, lávese de inmediato con agua.
- **No cargue herramientas de baterías en lugares mojados o húmedos.** Con el cumplimiento de esta regla se reduce el riesgo de una descarga eléctrica.
- **Para obtener resultados óptimos, debe cargar la herramienta de baterías en un lugar donde la temperatura esté entre 10 y 38 °C (entre 50 y 100 °F). No guarde la herramienta a la intemperie ni en el interior de vehículos.**
- **En condiciones extremas de uso o temperatura las baterías pueden emanar líquido. Si el líquido llega a tocarle la piel, lávese de inmediato con agua y jabón. Si le entra líquido en los ojos, láveselos con agua limpia por lo menos 10 minutos, y después busque de inmediato atención médica.** Con el cumplimiento de esta regla se reduce el riesgo de lesiones corporales serias.
- **Guarde estas instrucciones.** Consúltelas con frecuencia y empleélas para instruir a otras personas que puedan utilizar esta herramienta. Si presta a alguien esta herramienta, facilítele también las instrucciones.

SÍMBOLOS

Las siguientes palabras de señalización y sus significados tienen el objeto de explicar los niveles de riesgo relacionados con este producto.

SÍMBOLO	SEÑAL	SIGNIFICADO
	PELIGRO:	Indica una situación peligrosa inminente, la cual, si no se evita, causará la muerte o lesiones serias.
	ADVERTENCIA:	Indica una situación peligrosa posible, la cual, si no se evita, podría causar la muerte o lesiones serias.
	PRECAUCIÓN:	Indica una situación peligrosa posible, la cual, si no se evita, podría causar lesiones menores o leves.
	AVISO:	(Sin el símbolo de alerta de seguridad) Indica información importante no relacionada con ningún peligro de lesiones, como una situación que puede ocasionar daños físicos.

Es posible que se empleen en este producto algunos de los siguientes símbolos. Le suplicamos estudiarlos y aprender su significado. Una correcta interpretación de estos símbolos le permitirá utilizar mejor y de manera más segura el producto.

SÍMBOLO	NOMBRE	DENOMINACIÓN/EXPLICACIÓN
	Alerta de seguridad	Indica un peligro posible de lesiones personales.
	Lea manual del operador	Para reducir el riesgo de lesiones, el usuario debe leer y comprender el manual del operador antes de usar este producto.
	Protección para los ojos y oídos	Siempre póngase protección ocular con la marca de cumplimiento de la norma ANSI Z87.1 junto con protección auditiva.
	Alerta de condiciones húmedas	No exponga la unidad a la lluvia ni la use en lugares húmedos.
	Símbolos de reciclado	Este producto contiene baterías de níquel-cadmio o iones de litio. Es posible que algunas leyes municipales, estatales o federales prohíban desechar las baterías de níquel-cadmio en la basura normal. Consulte a las autoridades reguladoras de desechos para obtener información en relación con las alternativas de reciclado y desecho disponibles.
V	Volts	Voltaje
min	Minutos	Tiempo
==	Corriente continua	Tipo o característica de corriente
n_0	Velocidad en vacío	Velocidad de rotación, en vacío
.../min	Por minuto	Revoluciones, carreras, velocidad superficial, órbitas, etc., por minuto

CARACTERÍSTICAS

ESPECIFICACIONES DEL PRODUCTO

Velocidad en vacío	0-450/0-1 600 r/min. (RPM)
Golpes (Impactos) por minuto*	0-7 200/0-25 600 GPM

ARMADO

DESEMPAQUETADO

Este producto requiere armarse.

- Extraiga cuidadosamente de la caja la herramienta y los accesorios. Todos los elementos enumerados en la sección “**Incluye**” se deben incluir al momento de la compra.

ADVERTENCIA:

Las piezas incluidas en esta sección de *Armado* no vienen ensambladas en el producto de fábrica y requieren la instalación por parte del cliente. El uso de un producto que pueda haber sido armado de manera incorrecta podría provocar lesiones personales graves.

-
- Si des pièces manquent ou sont endommagées, appeler le 1-866-539-1710.

ADVERTENCIA:

Si falta o está dañada alguna pieza, no utilice este producto sin haber reemplazado la pieza. Usar este producto con partes dañadas o faltantes puede causar lesiones serias al operador.

ADVERTENCIA:

No intente modificar este producto ni hacer aditamentos ni accesorios no recomendados para el mismo. Cualquier alteración o modificación constituye maltrato el cual puede causar una condición peligrosa, y como consecuencia posibles lesiones corporales serias.

CONJUNTO DE MANGO AUXILIAR

Vea las figuras 1 - 2, página 10.

El taladro está equipado con un conjunto de mango auxiliar que puede montarse en cualquiera de sus lados.

Para instalar el mango auxiliar:

- Retire el paquete de baterías.
- Gire la empuñadura del mango hacia la izquierda para aflojarla y abra los ganchos lo suficiente como para que encajen en las costillas de montaje, detrás del anillo de ajuste de torsión.
- Coloque los ganchos sobre las costillas de montaje y asegúrese de que éstos estén ubicados en las ranuras, como se muestra.
- Gire la empuñadura del mango hacia la derecha para ajustar. Asegúrese de que el conjunto del mango esté firme antes de empezar a utilizar la herramienta.

Para retirar el conjunto del mango e instalarlo en el lado opuesto:

- Gire la empuñadura del mango hacia la izquierda para aflojar y retirar el conjunto del mango.
- Vuelva a instalar el conjunto del mango en la posición deseada.

NOTA: El conjunto del mango auxiliar también se puede instalar en posición vertical, como se muestra.

FUNCIONAMIENTO

ADVERTENCIA:

No permita que su familiarización con las herramientas lo vuelva descuidado. Tenga presente que un descuido de un instante es suficiente para causar una lesión grave.

ADVERTENCIA:

Siempre retire el paquete de baterías de la herramienta cuando esté ensamblando partes, realizando ajustes, limpiando o cuando ésta no esté en uso. Retirando el paquete de baterías se evita arrancar accidentalmente la unidad, lo cual puede causar lesiones serias.

ADVERTENCIA:

Siempre póngase protección ocular con protección lateral con la marca de cumplimiento de la norma ANSI Z87.1. Si no cumple esta advertencia, los objetos que salen despedidos pueden producirle lesiones serias en los ojos.

ADVERTENCIA:

No utilice ningún aditamento o accesorio no recomendado por el fabricante de esta producto. El empleo de aditamentos o accesorios no recomendados podría causar lesiones seria s.

APLICACIONES

Esta producto puede emplearse para los fines siguientes:

- Taladrado de percusión en hormigón, ladrillo y otros tipos de mampostería
- Taladrado productos de madera (madera aserrada, madera contrachapada, paneles, madera compuesta y madera dura), cerámica, plásticos, fibra de vidrio y material laminado, y metales; Enroscar tornillos con puntas de destornillador

GATILLO DEL INTERRUPTOR DE VELOCIDAD VARIABLE

Vea la figura 3, página 11.

El gatillo de velocidad variable produce mayor velocidad cuanto mayor presión se aplica en el gatillo, y menor velocidad cuanto menor presión se aplica en el mismo.

Para **ENCENDER** el taladro, oprima el gatillo del interruptor. Para **DETENER** el taladro, suelte el gatillo del interruptor y permita que se detenga completamente el portabrocas.

NOTA: Un silbido o zumbido que viene del interruptor durante el uso es una parte normal de la función del interruptor.

SELECTOR DE SENTIDO DE ROTACIÓN (MARCHA ADELANTE/ATRÁS/SEGURO EN EL CENTRO)

Vea la figura 3, página 11.

Ajuste el selector de sentido de rotación en la posición de **APAGADO** (seguro en el centro) para bloquear el gatillo del interruptor y ayudar a prevenir un arranque accidental cuando no esté en uso.

Ubique el selector de sentido de rotación a la izquierda del gatillo del interruptor para taladrar hacia adelante. Ubique el selector a la derecha del gatillo del interruptor para taladrar hacia atrás.

NOTA: El taladro no funciona a menos que se empuje el selector de dirección de giro completamente a la izquierda o derecha.

AVISO:

Para evitar dañar el engranaje, antes de cambiar el sentido de rotación siempre permita que se detenga completamente el portabrocas.

ADVERTENCIA:

Las herramientas de baterías siempre están en condiciones de funcionamiento. Bloquee el interruptor cuando no esté en uso o lo lleve a su lado, al instalar o extraer el paquete de baterías y al instalar o extraer brocas.

INSTALACIÓN/DESMONTAR DEL PAQUETE DE BATERÍAS

Vea la figura 4, página 11.

- Bloquee el gatillo del interruptor.
- Coloque el paquete de baterías en el producto como se muestra.
- Asegúrese de que los pestillos situados a ambos lados del paquete de baterías entren completamente en su lugar con un chasquido y de que el paquete quede bien asegurado en la herramienta antes de comenzar a utilizarla.
- Oprima los pestillos para extraer el paquete de baterías.

INSTALACIÓN / DESMONTAR DE LAS BROCAS

Vea las figuras 5 y 6, página 11.

Las flechas en el portabrocas sin llaves indican en qué dirección girar el cuerpo del portabrocas para apretar o soltar la broca. No utilice ninguna llave para apretar o aflojar las mangas del portobrocas.

- **Para instalar las brocas**, bloquee el gatillo del interruptor.
- Abra o cierre las mangas del portobrocas a tal punto que la abertura sea levemente más grande que la broca deseada.
- Levante la parte delantera del taladro ligeramente e inserte la broca.

FUNCIONAMIENTO

ADVERTENCIA:

Asegúrese de introducir la broca recta en las mangas del portobrocas. No introduzca en ángulo la broca en las mangas del portobrocas para después apretarla. Podría causar que la broca salga disparada del taladro, y por consecuencia, posibles lesiones corporales serias, o daños al portabrocas.

- Sujete con una mano el collar del portabrocas y no suelte. Con la otra mano, gire el cuerpo del portabrocas para cerrar y apretar las mangas del portobrocas.

ADVERTENCIA:

No sujete el cuerpo del portabrocas con una mano para usar la potencia del taladro con el fin de apretar la broca en las mordazas. El cuerpo del portabrocas podría resbalarse en la mano, o la mano misma podría resbalarse y llegar a tocar la broca girante. Esto podría causar un accidente, y como consecuencia lesiones corporales serias.

- **Para extraer las brocas**, bloquee el gatillo del interruptor y abra las mangas del portobrocas.
- La broca suministrada con el taladro pueden colocarse en el compartimiento situado en la base de la unidad.

DIODO LUMINISCENTE

Vea la figura 7, página 11.

Los LEDs emiten luz desde la parte delantera del portabrocas cuando se presiona el gatillo del interruptor o el interruptor del mango con luz.

Si no se está usando el taladro, la función de tiempo de espera hará que la luz comience a desvanecerse y que luego se apague la herramienta.

La luz de diodo luminiscente se enciende sólo cuando se coloca una batería cargada en la herramienta.

TREN DE ENGRANAJES DE DOS VELOCIDADES

Vea la figura 8, página 11.

- Seleccione la velocidad **LO (1) (BAJA)** para aplicaciones que requieren una mayor potencia y torsión.
- Seleccione la velocidad **HI (2) (ALTA)** para aplicaciones de taladrado o atornillado rápidas.

NOTA: Si se hace funcionar el taladro a baja velocidad en uso constante puede recalentarse. Si ocurre tal situación, enfríe el taladro poniéndolo a funcionar en vacío y a toda velocidad.

AVISO:

Nunca cambie de gama de velocidad mientras esté funcionando la herramienta. El incumplimiento de esta precaución puede producir daños serios en el taladro.

AJUSTE DE LA FUERZA DE TORSIÓN

Vea la figura 9, página 11.

Al utilizar el taladro-destornillador para diversas operaciones de atornillado, es necesario aumentar o disminuir la fuerza de torsión con el fin de evitar posibles daños a las cabezas o roscas de los tornillos, a la pieza de trabajo, etc. En general, la fuerza de torsión debe corresponder al diámetro del tornillo. Si la fuerza de torsión es demasiado elevada, o los tornillos demasiado pequeños, pueden dañarse o romperse los tornillos. La fuerza de torsión es mayor cuando el anillo de ajuste de la misma se pone en una marca alta. La fuerza de torsión es menor cuando el anillo de ajuste de la misma se pone en una marca baja.

NOTA: El anillo de ajuste de la fuerza de torsión solamente funciona con el modo de atornillado.

SELECCIÓN DEL MODO DE TALADRO, ATORNILLADO O PERCUSIÓN

Vea la figura 10, página 12.

Modo de taladrado debe utilizarse en trabajos de perforación y otras aplicaciones de servicio pesado. El modo de atornillado debe utilizarse para introducir tornillos. El modo de percusión debe utilizarse para tareas de taladrado de percusión.

Seleccione la opción que coincida mejor con el tipo de broca o punta de destornillador, tornillo y material que esté usando.

- Escoja la operación
- Escoja la velocidad adecuada: **BAJA (1)** o **ALTA (2)**
- Escoja el modo adecuado: atornillado, taladrado o percusión.

NOTA: El taladro de percusión no ha sido diseñado para realizar tareas de percusión en reversa.

Utilice brocas con punta de carburo y seleccione el modo de percusión al taladrar materiales duros, como ladrillo, azulejo, hormigón, etc.

Utilice brocas puntas de carburo y seleccione el modo taladro al perforar materiales de superficies duras y quebradizas tal como la losa, etc.

Utilice brocas helicoidales, sierras caladoras, etc. y el modo taladro al perforar materiales blandos.

NOTA: Al trabajar con el modo de percusión, se recomienda emplear la velocidad **BAJA (1)**.

TALADRADO/INTRODUCCIÓN DE TORNILLOS

Vea la figura 11, página 12.

Un niveau est situé sur le dessus du logement du moteur pour faire en sorte que la mèche de perçage demeure à la même hauteur pendant l'utilisation.

- Instalar el mango auxiliar.
- Revise el selector de sentido de rotación para ver si está en la posición correcta (marcha adelante o atrás).
- Use velocidad **BAJA (1)** para aplicaciones de alta fuerza de torsión y velocidad **ALTA (2)** para aplicaciones rápidas de taladrado o con destornilladores. Consulte tren de *Tren de engranajes de dos velocidades* y *Ajuste de la fuerza de torsión*.

FUNCIONAMIENTO

- Asegure la pieza de trabajo en una prensa o con abrazaderas para evitar que rote a medida que la broca gira.
- Sostenga firmemente el taladro y coloque la broca en el punto a taladrar o donde se colocará el tornillo.

ADVERTENCIA:

No introduzca tornillos donde pudiera haber cables ocultos detrás de la superficie. Todo contacto de una herramienta con un cable cargado carga las piezas metálicas expuestas de la herramienta y da una descarga eléctrica posiblemente al operador. Si debe introducir tornillos donde pudiera haber cables ocultos, siempre sujete la herramienta por las superficies aisladas de sujeción (mango) al efectuar una operación para evitar una descarga eléctrica al operador.

-
- Oprima el gatillo del interruptor para encender el taladro.
 - Introduzca la broca en la pieza de trabajo, aplicando la presión suficiente para mantener el corte de la broca. No fuerce el taladro ni aplique presión lateral para ovalar el orificio. Permita que la broca realice el trabajo.

ADVERTENCIA:

Al taladrar, esté preparado por si se atasca la broca al traspasar la pieza de trabajo. Cuando ocurren estas situaciones, el taladro presenta una tendencia a trabarse y dar un contragolpe en la dirección opuesta, y podría causar una pérdida de control al perforar el material. Si usted no está preparado, esta pérdida de control podría ser causa de lesiones serias.

-
- Al taladrar superficies lisas y duras, use un punzón para marcar la ubicación deseada del orificio. De esta manera se evita que la broca se desplace del centro al iniciar la perforación.
 - Si se atora la broca en la pieza de trabajo, o si se detiene el taladro, apague de inmediato la herramienta. Retire la broca de la pieza de trabajo y determine la razón causante del atoramiento.

NOTA: Este taladro dispone de un freno eléctrico. Al soltarse el gatillo del interruptor, el portabrocas cesa de girar. Cuando el freno funciona correctamente, se observan chispas a través de las ranuras de ventilación del alojamiento del motor. Esto es normal y es la acción del freno.

TALADRADO EN MADERA Y METAL

Para obtener un desempeño óptimo de la unidad, utilice brocas de acero de alta velocidad para taladrado en madera o en metal. Seleccione el modo de taladrado. Comience a taladrar a una velocidad muy baja para impedirle a la broca abandonar el punto inicial.

Taladrado en madera

- Aumente la velocidad a medida que la broca penetra en el material.
- Al taladrar orificios de lado a lado, coloque un bloque de madera detrás de la pieza de trabajo para evitar producir orillas deshilachadas o astilladas en la parte posterior del orificio.

Taladrado en metal y acero

- Aplique aceite de baja viscosidad en la broca para evitar el recalentamiento de la misma. El aceite prolonga la vida de servicio de la broca y aumenta la eficacia de la operación de taladrado.
- Mantenga una velocidad y una presión tales que permitan taladrar sin recalentar la broca. Si se aplica demasiada presión:
 - Se recalienta el taladro;
 - Se gastan los cojinetes;
 - Se doblan o queman las brocas; y
 - Se producen orificios descentrados o de forma irregular.
- Al taladrar agujeros grandes en metal, comience con una broca pequeña y luego termine con una grande.

TALADRADO EN OBRAS DE ALBAÑILERÍA

Para obtener un desempeño óptimo de la unidad, utilice brocas de impacto con puntas de carburo para albañilería al taladrar en ladrillo, azulejo, hormigón, etc. Select hammer mode.

- Para obtener resultados óptimos en ladrillo, aplique presión leve y velocidad mediana.
- En materiales duros como el hormigón, aplique presión adicional.
- Al taladrar orificios en azulejo o baldosa, practique con una pieza de desecho para determinar la mejor combinación de velocidad y presión. Comience a taladrar a una velocidad muy baja para impedirle a la broca abandonar el punto inicial.

MANTENIMIENTO

ADVERTENCIA:

Al dar servicio a la unidad, sólo utilice piezas de repuesto idénticas. El empleo de piezas diferentes podría causar un peligro o dañar el producto.

MANTENIMIENTO GENERAL

Evite el empleo de solventes al limpiar piezas de plástico. La mayoría de los plásticos son susceptibles a diferentes tipos de solventes comerciales y pueden resultar dañados. Utilice paños limpios para eliminar la suciedad, el polvo, el aceite, la grasa, etc.

CALIFORNIA - PROPUESTA DE LEY NÚM. 65

ADVERTENCIA:

Este producto y algunos polvos generados al efectuarse operaciones de lijado, aserrado, esmerilado, taladrado y otras actividades de la construcción, contienen sustancias químicas reconocidas por el estado de California como causantes de cáncer, defectos congénitos y otras afecciones del aparato reproductor. Lávese las manos después de utilizar el aparato.

Algunos ejemplos de estas sustancias químicas son:

- plomo de las pinturas a base de plomo,
- sílice cristalino de los ladrillos, del cemento y de otros productos de albañilería, y
- arsénico y cromo de la madera químicamente tratada.

El riesgo de la exposición a estos compuestos varía, según la frecuencia con que se realice este tipo de trabajo. Para reducir la exposición personal, trabaje en áreas bien ventiladas, y con equipo de seguridad aprobado, tal como las caretas para el polvo especialmente diseñadas para filtrar partículas microscópicas.

Este producto tiene una política de satisfacción garantizada de 90 días y una garantía limitada de tres años. Para obtener detalles sobre la garantía y la política de satisfacción garantizada, diríjase a www.RIDGID.com o llame sin cargo al 1-866-539-1710.

R8611503

- A - Two-speed gear train (train d'engrenages à deux vitesses, engranaie de dos velocidades)
- B - Mode selector (sélecteur de mode, selector de modo)
- C - Torque adjustment ring (bague de mode de percussion, anillo selector del modo de taladrado de percusión)
- D - Keyless chuck (mandrin sans clé, portabrocas de apriete sin llave)
- E - Variable speed switch trigger (gâchette de commande de vitesse variable, gatillo del interruptor de velocidad variable)
- F - LED light (lampes à del, luz de trabajo de diodo luminescente)
- G - LED Grip Light Switch (interrupteur de la lampe DÉL de la poignée, interruptor de luz de diodo luminescente en el mango)
- H - Bit storage (rangement d'embouts, compartimento de puntas)
- I - Auxiliary handle assembly (poignée auxiliaire, conjunto de mango auxiliar)

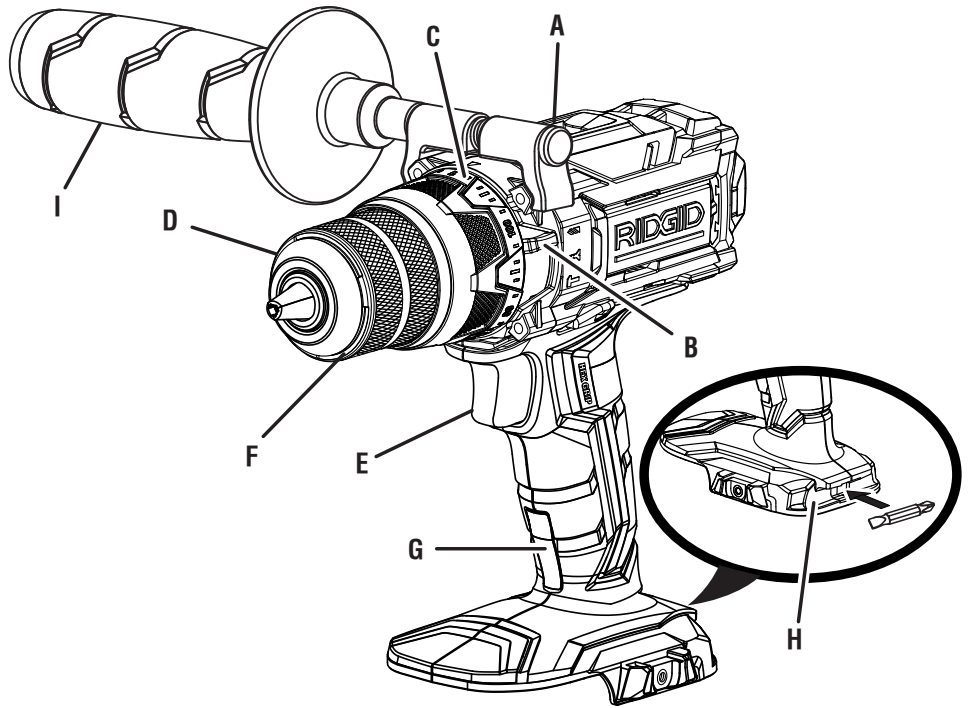
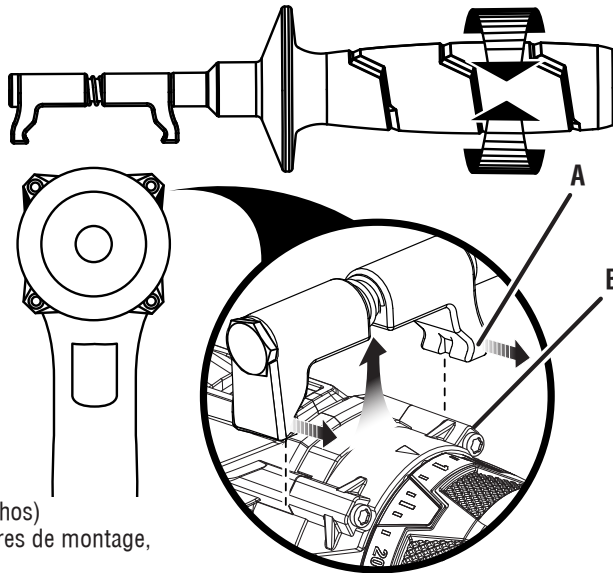
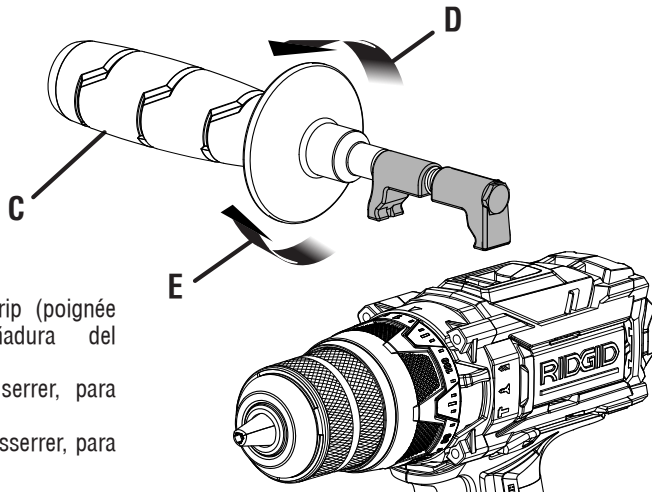


Fig. 1

**FRONT VIEW OF CHUCK
VUE DE FACE DU MANDRIN
VISTA FRONTAL DEL PORTABROCAS**



- A - Hooks (crochets, ganchos)
- B - Mounting ribs (nervures de montage, costillas de montaje)



- C - Auxiliary handle grip (poignée auxiliaire, empuñadura del mango auxiliar)
- D - To tighten (pour serrer, para apretar)
- E - To loosen (pour desserrer, para aflojar)

Fig. 2

**AUXILIARY HANDLE ASSEMBLY POSITION OPTIONS
OPTIONS DE POSITION DE LA POIGNÉE AUXILIAIRE
OPCIONES DE POSICIÓN DEL CONJUNTO DEL MANGO AUXILIAR**

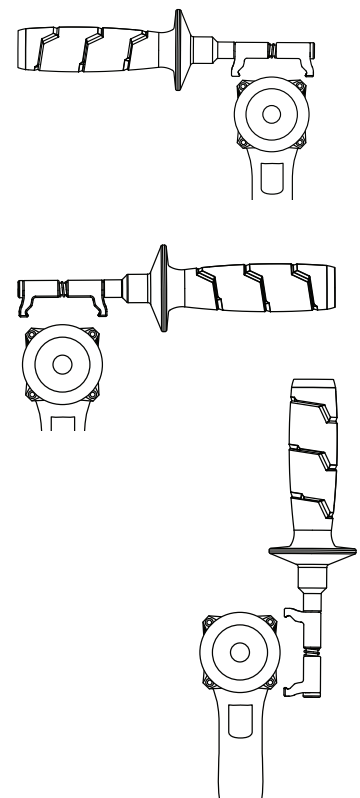
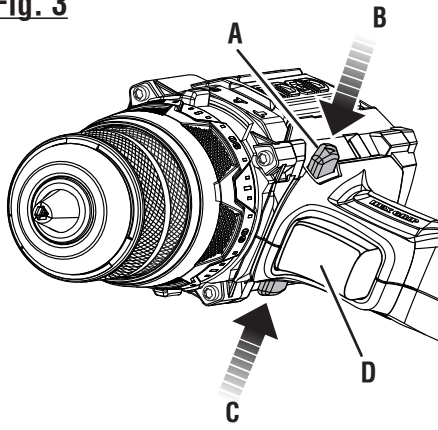
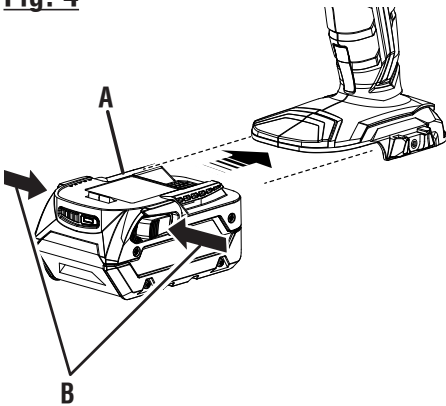


Fig. 3



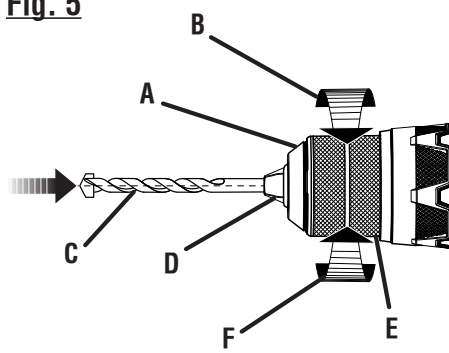
- A - Direction of rotation selector (forward/reverse/center lock) [sélecteur de sens de rotation (avant / arrière / verrouillage central), selector de sentido de rotación (marche adelante / marche atrás / seguro en el centro)]
- B - Reverse (arrière, adelante)
- C - Forward (avant, atrás)
- D - Variable speed switch trigger (gâchette de commande de vitesse variable, gatillo del interruptor de velocidad variable)

Fig. 4



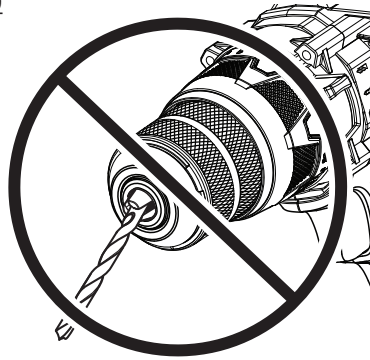
- A - Battery pack (bloc-pile, paquete de baterías)
- B - Depress latches to release battery pack (appuyer sur les loquets pour libérer le bloc-pile, para soltar el paquete de baterías oprima los pestillos)

Fig. 5



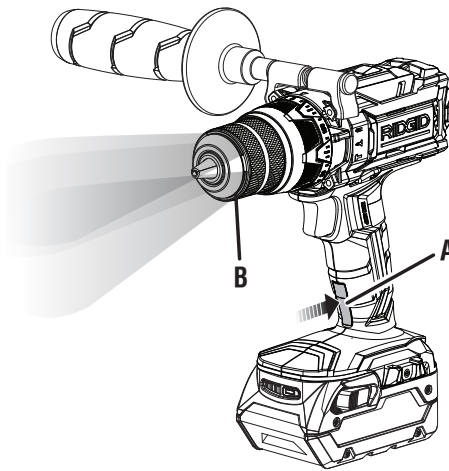
- A - Keyless chuck (mandrin sans clé, portabrocas de apriete sin llave)
- B - LOCK [LOCK (serrage), LOCK (apretar)]
- C - Drill bit (foret, broca)
- D - Chuck jaws (mors du mandrin, mordazas del portabrocas)
- E - Chuck body (corps du mandrin, cuerpo del portabroca)
- F - UNLOCK [UNLOCK (desserage), UNLOCK (aflojar)]

Fig. 6



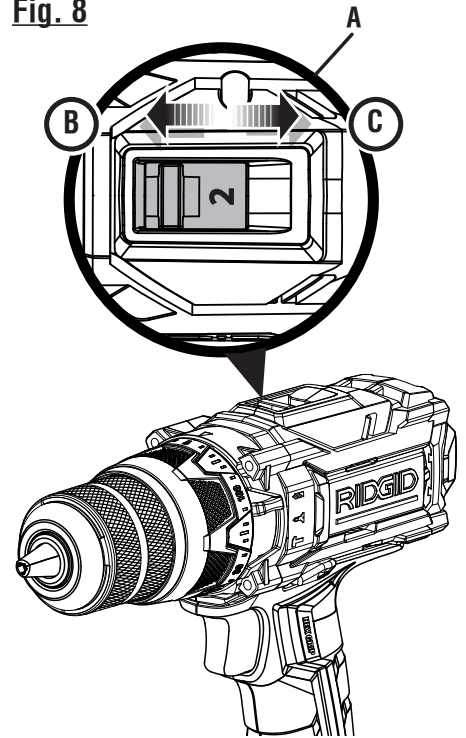
**WRONG / INCORRECT /
FORMA INCORRECTA**

Fig. 7



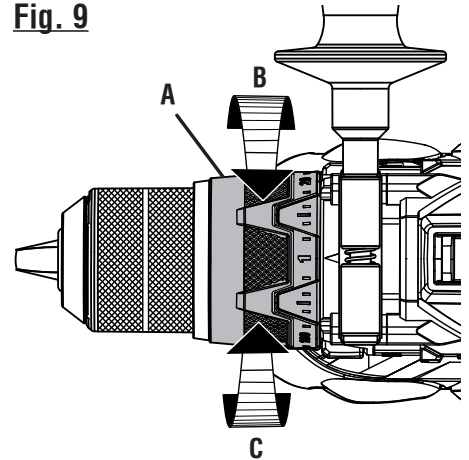
- A - LED Grip Light Switch (interrupteur de la lampe DÉL de la poignée, interruptor de luz de diodo luminescente en el mango)
- B - LED light (lampe dél, diodo luminescente)

Fig. 8



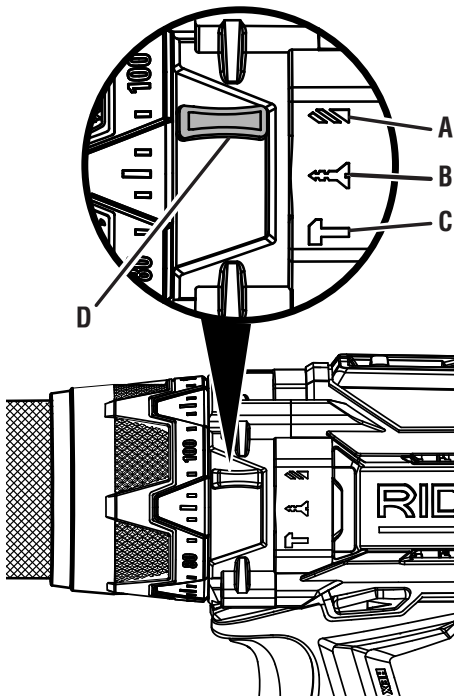
- A - Two speed gear train (HI-LO) [train d'engrenages à deux vitesses (haute et basse), engranaie de dos velocidades (alta-baja)]
- B - HI (2) speed (haute vitesse, velocidad alta)
- C - LO (1) speed (basse vitesse, velocidad baja)

Fig. 9



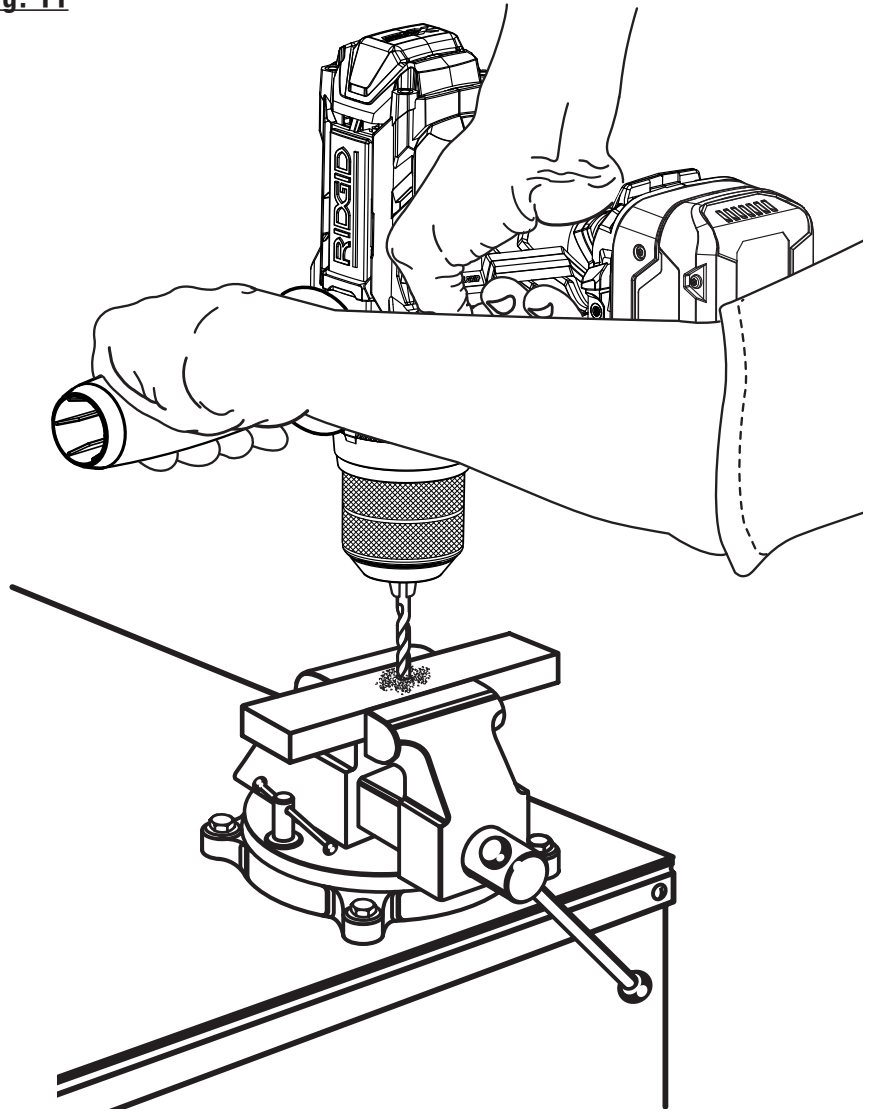
- A - Torque adjustment ring (bague de réglage du couple, anillo de ajuste)
- B - To increase torque (pour augmenter le couple, para aumentar la fuerza de torsión)
- C - To decrease torque (pour réduire le couple, para disminuir la fuerza de torsión)

Fig. 10



- A - Drill mode (torque adjustment not active), [mode de perçage (réglage du couple désactivé), modo de taladrado (ajuste de fuerza de torsión inactivo)]
- B - Drive mode (mode de vissage, modo de atornillado)
- C - Hammer mode (torque adjustment not active) [mode de percussion (réglage du couple désactivé), modo de percusión (ajuste de fuerza de torsión no active)]
- D - Mode selector (sélecteur de mode, anillo de cambio de modo)

Fig. 11



OPERATOR'S MANUAL

MANUEL D'UTILISATION

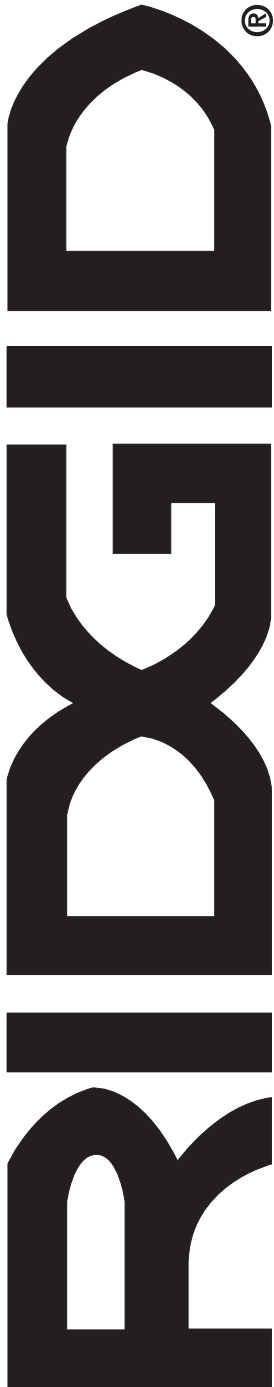
MANUAL DEL OPERADOR

18 VOLT 2-SPEED HAMMER DRILL

PERCEUSE À PERCUSSION 2 VITESSES 18 V

TALADRO DE PERCUSIÓN DE 2 VELOCIDADES DE 18 V

R8611503



Customer Service Information:

For parts or service, do not return this product to the store. Contact your nearest RIDGID® authorized service center. Be sure to provide all relevant information when you call or visit. For the location of the authorized service center nearest you, please call 1-866-539-1710 or visit us online at www.RIDGID.com.

MODEL NO. _____ SERIAL NO. _____

Service après-vente :

Pour acheter des pièces ou pour un dépannage, ne pas retourner ce produit au magasin. Contacter le centre de réparations RIDGID® agréé le plus proche. Veiller à fournir toutes les informations pertinentes lors de tout appel téléphonique ou visite. Pour obtenir l'adresse du centre de réparations agréé le plus proche, téléphoner au 1-866-539-1710 ou visiter notre site www.RIDGID.com.

NO. DE MODÈLE _____ NO. DE SÉRIE _____

Información sobre servicio al consumidor:

Para piezas de repuesto o servicio, no devuelva este producto a la tienda. Comuníquese con el centro de servicio autorizado de productos RIDGID® de su preferencia. Asegúrese de proporcionar todos los datos pertinentes al llamar o al presentarse personalmente. Para obtener información sobre el centro de servicio autorizado más cercano a usted, le suplicamos llamar al 1-866-539-1710 o visitar nuestro sitio en la red mundial, en la dirección www.RIDGID.com.

NÚM. DE MODELO _____ NÚM. DE SERIE _____

ONE WORLD TECHNOLOGIES, INC.

P.O. Box 35, Hwy. 8
Pickens, SC 29671, USA
1-866-539-1710 ■ www.RIDGID.com

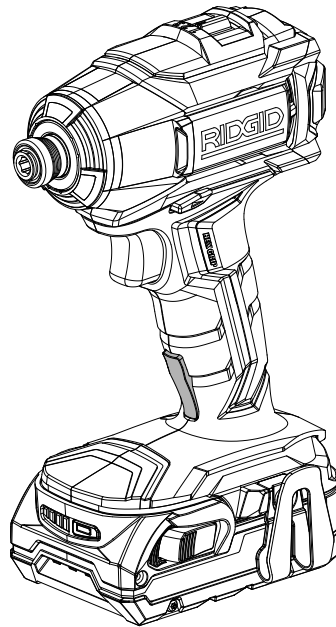
RIDGID is a registered trademark of RIDGID, Inc., used under license.



OPERATOR'S MANUAL MANUEL D'UTILISATION MANUAL DEL OPERADOR

18 V IMPACT DRIVER CLÉ À CHOCS 18 V DESTORNILLADOR DE IMPACTO DE 18 V

R86035



To register your RIDGID product, please visit:
<http://register.RIDGID.com>

Pour enregistrer votre produit de RIDGID, s'il vous plaît la visite :
<http://register.RIDGID.com>

Para registrar su producto de RIDGID, por favor visita:
<http://register.RIDGID.com>

TABLE OF CONTENTS

- General Power Tool Safety Warnings2-3
- Impact Driver Safety Warnings.....3
- Symbols.....4
- Assembly.....5
- Operation.....5-6
- Maintenance.....7
- Illustrations8-9
- Parts Ordering and ServiceBack page

TABLE DES MATIÈRES

- Avertissements de sécurité générales relatives aux outils électriques.....2-3
- Avertissements de sécurité relatifs au clé à chocs.....3
- Symboles.....4
- Assemblage.....5
- Utilisation5-6
- Entretien7
- Illustrations8-9
- Commande de pièces et dépannagePage arrière

ÍNDICE DE CONTENIDO

- Advertencias de seguridad para herramientas eléctrica 2-3
- Advertencias de seguridad destornillador de impacto.....3
- Símbolos.....4
- Armado5
- Funcionamiento 5-6
- Mantenimiento.....7
- Ilustraciones..... 8-9
- Pedidos de piezas y servicioPág. posterior

⚠ WARNING:

To reduce the risk of injury, the user must read and understand the operator's manual before using this product.

⚠ AVERTISSEMENT :

Pour réduire les risques de blessures, l'utilisateur doit lire et veiller à bien comprendre le manuel d'utilisation avant d'utiliser ce produit.

⚠ ADVERTENCIA:

Para reducir el riesgo de lesiones, el usuario debe leer y comprender el manual del operador antes de usar este producto.

**SAVE THIS MANUAL
FOR FUTURE REFERENCE**

**CONSERVER CE MANUEL
POUR FUTURE RÉFÉRENCE**

**GUARDE ESTE MANUAL
PARA FUTURAS CONSULTAS**

GENERAL POWER TOOL SAFETY WARNINGS

WARNING

Read all safety warnings and all instructions. Failure to follow the warnings and instructions may result in electric shock, fire and/or serious injury.

Save all warnings and instructions for future reference. The term “power tool” in the warnings refers to your mains-operated (corded) power tool or battery-operated (cordless) power tool.

WORK AREA SAFETY

- **Keep work area clean and well lit.** Cluttered or dark areas invite accidents.
- **Do not operate power tools in explosive atmospheres, such as in the presence of flammable liquids, gases or dust.** Power tools create sparks which may ignite the dust or fumes.
- **Keep children and bystanders away while operating a power tool.** Distractions can cause you to lose control.

ELECTRICAL SAFETY

- **Power tool plugs must match the outlet. Never modify the plug in any way. Do not use any adapter plugs with earthed (grounded) power tools.** Unmodified plugs and matching outlets will reduce risk of electric shock.
- **Avoid body contact with earthed or grounded surfaces such as pipes, radiators, ranges and refrigerators.** There is an increased risk of electric shock if your body is earthed or grounded.
- **Do not expose power tools to rain or wet conditions.** Water entering a power tool will increase the risk of electric shock.
- **Do not abuse the cord. Never use the cord for carrying, pulling or unplugging the power tool. Keep cord away from heat, oil, sharp edges or moving parts.** Damaged or entangled cords increase the risk of electric shock.
- **When operating a power tool outdoors, use an extension cord suitable for outdoor use.** Use of a cord suitable for outdoor use reduces the risk of electric shock.
- **If operating a power tool in a damp location is unavoidable, use a ground fault circuit interrupter (GFCI) protected supply.** Use of a GFCI reduces the risk of electric shock.
- **Use battery only with charger listed. For use with 18V nickel-cadmium and 18V lithium-ion battery packs, see tool/appliance/battery pack/charger correlation supplement 988000-302.**

PERSONAL SAFETY

- **Stay alert, watch what you are doing and use common sense when operating a power tool. Do not use a power tool while you are tired or under the influence of drugs, alcohol or medication.** A moment of inattention while operating power tools may result in serious personal injury.

- **Use personal protective equipment. Always wear eye protection.** Protective equipment such as dust mask, non-skid safety shoes, hard hat, or hearing protection used for appropriate conditions will reduce personal injuries.
- **Prevent unintentional starting. Ensure the switch is in the off-position before connecting to power source and/or battery pack, picking up or carrying the tool.** Carrying power tools with your finger on the switch or energising power tools that have the switch on invites accidents.
- **Remove any adjusting key or wrench before turning the power tool on.** A wrench or a key left attached to a rotating part of the power tool may result in personal injury.
- **Do not overreach. Keep proper footing and balance at all times.** This enables better control of the power tool in unexpected situations.
- **Dress properly. Do not wear loose clothing or jewellery. Keep your hair, clothing and gloves away from moving parts.** Loose clothes, jewellery or long hair can be caught in moving parts.
- **If devices are provided for the connection of dust extraction and collection facilities, ensure these are connected and properly used.** Use of dust collection can reduce dust-related hazards.
- **Do not wear loose clothing or jewelry. Contain long hair.** Loose clothes, jewelry, or long hair can be drawn into air vents.
- **Do not use on a ladder or unstable support.** Stable footing on a solid surface enables better control of the power tool in unexpected situations.

POWER TOOL USE AND CARE

- **Do not force the power tool. Use the correct power tool for your application.** The correct power tool will do the job better and safer at the rate for which it was designed.
- **Do not use the power tool if the switch does not turn it on and off.** Any power tool that cannot be controlled with the switch is dangerous and must be repaired.
- **Disconnect the plug from the power source and/or the battery pack from the power tool before making any adjustments, changing accessories, or storing power tools.** Such preventive safety measures reduce the risk of starting the power tool accidentally.
- **Store idle power tools out of the reach of children and do not allow persons unfamiliar with the power tool or these instructions to operate the power tool.** Power tools are dangerous in the hands of untrained users.
- **Maintain power tools. Check for misalignment or binding of moving parts, breakage of parts and any other condition that may affect the power tool's operation. If damaged, have the power tool repaired before use.** Many accidents are caused by poorly maintained power tools.

GENERAL POWER TOOL SAFETY WARNINGS

- **Keep cutting tools sharp and clean.** Properly maintained cutting tools with sharp cutting edges are less likely to bind and are easier to control.
- **Use the power tool, accessories and tool bits etc. in accordance with these instructions, taking into account the working conditions and the work to be performed.** Use of the power tool for operations different from those intended could result in a hazardous situation.

BATTERY TOOL USE AND CARE

- **Recharge only with the charger specified by the manufacturer.** A charger that is suitable for one type of battery pack may create a risk of fire when used with another battery pack.
- **Use power tools only with specifically designated battery packs.** Use of any other battery packs may create a risk of injury and fire.
- **When battery pack is not in use, keep it away from other metal objects, like paper clips, coins, keys, nails,**

screws or other small metal objects, that can make a connection from one terminal to another. Shorting the battery terminals together may cause burns or a fire.

- **Under abusive conditions, liquid may be ejected from the battery; avoid contact. If contact accidentally occurs, flush with water. If liquid contacts eyes, additionally seek medical help.** Liquid ejected from the battery may cause irritation or burns.

SERVICE

- **Have your power tool serviced by a qualified repair person using only identical replacement parts.** This will ensure that the safety of the power tool is maintained.
- **When servicing a power tool, use only identical replacement parts. Follow instructions in the Maintenance section of this manual.** Use of unauthorized parts or failure to follow Maintenance instructions may create a risk of shock or injury.




IMPACT DRIVER SAFETY WARNINGS

- **Hold power tool by insulated gripping surfaces, when performing an operation where the fastener may contact hidden wiring.** Fasteners contacting a “live” wire may make exposed metal parts of the power tool “live” and could give the operator an electric shock.
- **Wear ear protectors with impact drills.** Exposure to noise can cause hearing loss.
- **Do not use the impact driver as a drill.** The impact driver is not designed to be used as a drill.
- **Know your power tool. Read operator’s manual carefully. Learn its applications and limitations, as well as the specific potential hazards related to this tool.** Following this rule will reduce the risk of electric shock, fire, or serious injury.
- **Always wear eye protection with side shields marked to comply with ANSI Z87.1.** Following this rule will reduce the risk of serious personal injury.
- **Protect your lungs. Wear a face or dust mask if the operation is dusty.** Following this rule will reduce the risk of serious personal injury.
- **Protect your hearing. Wear hearing protection during extended periods of operation.** Following this rule will reduce the risk of serious personal injury.
- **Battery tools do not have to be plugged into an electrical outlet; therefore, they are always in operating condition. Be aware of possible hazards when not using your battery tool or when changing accessories.** Following this rule will reduce the risk of electric shock, fire, or serious personal injury.






- **Do not place battery tools or their batteries near fire or heat.** This will reduce the risk of explosion and possibly injury.
- **Do not crush, drop or damage battery pack. Do not use a battery pack or charger that has been dropped or received a sharp blow.** A damaged battery is subject to explosion. Properly dispose of a dropped or damaged battery immediately.
- **Batteries can explode in the presence of a source of ignition, such as a pilot light.** To reduce the risk of serious personal injury, never use any cordless product in the presence of open flame. An exploded battery can propel debris and chemicals. If exposed, flush with water immediately.
- **Do not charge battery tool in a damp or wet location.** Following this rule will reduce the risk of electric shock.
- **For best results, your battery tool should be charged in a location where the temperature is more than 50°F but less than 100°F.** To reduce the risk of serious personal injury, do not store outside or in vehicles.
- **Under extreme usage or temperature conditions, battery leakage may occur. If liquid comes in contact with your skin, wash immediately with soap and water. If liquid gets into your eyes, flush them with clean water for at least 10 minutes, then seek immediate medical attention.** Following this rule will reduce the risk of serious personal injury.
- **Save these instructions.** Refer to them frequently and use them to instruct others who may use this tool. If you loan someone this tool, loan them these instructions also to prevent misuse of the product and possible injury.

SYMBOLS

The following signal words and meanings are intended to explain the levels of risk associated with this product.

SYMBOL	SIGNAL	MEANING
	DANGER:	Indicates an imminently hazardous situation, which, if not avoided, will result in death or serious injury.
	WARNING:	Indicates a potentially hazardous situation, which, if not avoided, could result in death or serious injury.
	CAUTION:	Indicates a potentially hazardous situation, which, if not avoided, may result in minor or moderate injury.
	NOTICE:	(Without Safety Alert Symbol) Indicates important information not related to an injury hazard, such as a situation that may result in property damage.

Some of the following symbols may be used on this product. Please study them and learn their meaning. Proper interpretation of these symbols will allow you to operate the product better and safer.

SYMBOL	NAME	DESIGNATION/EXPLANATION
	Safety Alert	Indicates a potential personal injury hazard.
	Read Operator's Manual	To reduce the risk of injury, user must read and understand operator's manual before using this product.
	Eye Protection	Always wear eye protection with side shields marked to comply with ANSI Z87.1.
	Wet Conditions Alert	Do not expose to rain or use in damp locations.
	Recycle Symbols	This product uses nickel-cadmium (Ni-Cd) and lithium-ion (Li-ion) batteries. Local, state, or federal laws may prohibit disposal of batteries in ordinary trash. Consult your local waste authority for information regarding available recycling and/or disposal options.
V	Volts	Voltage
min	Minutes	Time
==	Direct Current	Type or a characteristic of current
n_0	No Load Speed	Rotational speed, at no load
.../min	Per Minute	Revolutions, strokes, surface speed, orbits etc., per minute

CALIFORNIA PROPOSITION 65

WARNING:

This product and some dust created by power sanding, sawing, grinding, drilling, and other construction activities may contain chemicals, including lead, known to the State of California to cause cancer, birth defects, or other reproductive harm. **Wash hands after handling.**

Some examples of these chemicals are:

- lead from lead-based paints,
- crystalline silica from bricks and cement and other masonry products and,
- arsenic and chromium from chemically treated lumber.

Your risk from exposure to these chemicals varies, depending on how often you do this type of work. To reduce your exposure, work in a well-ventilated area and with approved safety equipment, such as dust masks that are specially designed to filter out microscopic particles.

ASSEMBLY

WARNING:

If any parts are damaged or missing do not operate this product until the parts are replaced. Use of this product with damaged or missing parts could result in serious personal injury.

WARNING:

Do not attempt to modify this product or create accessories not recommended for use with this product. Any such alteration or modification is misuse and could result in a hazardous condition leading to possible serious personal injury.

If any parts are damaged or missing, please call 1-866-539-1710 for assistance.

OPERATION

WARNING:

Do not allow familiarity with products to make you careless. Remember that a careless fraction of a second is sufficient to inflict severe injury.

WARNING:

Always remove battery pack from the tool when you are assembling parts, making adjustments, cleaning, or when not in use. Removing battery pack will prevent accidental starting that could cause serious personal injury.

WARNING:

Always wear eye protection with side shields marked to comply with ANSI Z87.1. Failure to do so could result in objects being thrown into your eyes, resulting in possible serious injury.

APPLICATIONS

You may use this tool for the purposes listed below:

- Driving, tightening, and removing screws, nuts, and bolts

OVERLOAD PROTECTION

When the tool is forced or overloaded, the Li-ion battery pack will automatically shut off the tool. To reset the tool, release the trigger and resume operation. Do not force the tool.

HIGH TEMPERATURE PROTECTION

Li-ion battery packs are equipped with a high temperature protection feature that automatically deactivates the tool when it is overheated. To resume operation, allow the tool to cool and then squeeze the trigger.

INSTALLING / REMOVING BELT HOOK

See Figure 1, page 8.

The belt hook may be installed on either side of the housing.

- Align the hole in the belt hook with the hole in the housing.
- Install the screw to secure the belt hook in place.
- To uninstall, remove the screw then remove the belt hook.

VARIABLE SPEED SWITCH TRIGGER

See Figure 2, page 8.

The variable speed switch trigger delivers higher speed with increased trigger pressure and lower speed with decreased trigger pressure.

To turn the tool **ON**, depress the switch trigger. To turn it **OFF**, release the switch trigger and allow the coupler to come to a complete stop.

NOTE: A whistling or ringing noise coming from the switch during use is a normal part of the switch function.

DIRECTION OF ROTATION SELECTOR (FORWARD/REVERSE/CENTER LOCK)

See Figure 2, page 8.

Set the direction of rotation selector in the **OFF** (center lock) position to lock the switch trigger and help prevent accidental starting when not in use.

Position the direction of rotation selector to the left of the switch trigger for forward operation. Position the selector to the right of the switch trigger to reverse the direction.

NOTE: The tool will not run unless the direction of rotation selector is pushed fully to the left or right.

NOTICE:

To prevent gear damage, always allow the coupler to come to a complete stop before changing the direction of rotation.

WARNING:

Battery tools are always in operating condition. Lock the switch when not in use or carrying at your side, when installing or removing the battery pack, and when installing or removing bits.

OPERATION

SPEED/TORQUE SELECTOR

See Figure 3, page 8.

The speed and torque of the impact driver can be changed for various applications.

- LOW (1) Speed/Torque (0-1000 RPM/420 in. lbs)
 - MEDIUM (2) Speed/Torque (0-2000 RPM/1360 in. lbs)
 - HIGH (3) Speed/Torque (0-2750 RPM/2300 in. lbs)
-

NOTICE:

Never change speeds while the tool is running. Failure to obey this caution could result in serious damage to the tool.

INSTALLING/REMOVING BATTERY PACK

See Figure 4, page 8.

To install:

- Lock the switch trigger by placing the direction of rotation (forward/reverse/center lock) selector in center position.
- Align raised rib on battery pack with the groove inside the impact driver.
- Make sure the latches on each side of the battery pack snap in place and battery pack is secured before beginning operation.

To remove:

- Lock the switch trigger by placing the direction of rotation selector in center position.
- Depress the latches on the sides of the battery pack.

INSTALLING/REMOVING BITS

See Figure 5, page 8.

- **To install bits**, remove the battery pack from the tool.
 - Push the bit into the coupler until it clicks into place.
NOTE: If the bit does not insert easily into the coupler, pull the coupler forward and reinsert the bit.
 - Pull on the bit to make sure it is secured in the coupler. There may be some play in the installed bit; this is normal.
NOTE: Use only impact quality bits with a locking groove.
-

WARNING:

Make sure the bit is secured in the coupler before using the impact driver. Failure to do so could cause serious personal injury.

- **To remove bits**, remove the battery pack from the tool.
- With the nose of the tool pointed away from you, pull the coupler away from the driver.
- The bit will eject from the coupler.

TRI-BEAM LED LIGHTS

See Figure 6, page 8.

The LED lights around the coupler illuminate when either the switch trigger or LED grip light switch is depressed.

If the tool is not in use, the time-out feature will cause the lights to start fading and then shut off.

The LED lights illuminate only when there is a charged battery pack in the tool.

USING THE IMPACT DRIVER

See Figures 7 - 8, page 9.

NOTICE:

The impact driver is not designed to be used as a drill.

WARNING:

Do not drive a screw where there is likely to be hidden wiring behind the surface. Contact with a “live” wire will make exposed metal parts of the tool “live” and possibly shock the operator. If you must drive a screw where hidden wire may be present, always hold tool by insulated gripping surfaces (handle) when performing the operation to prevent a shock to the operator.

- Check the direction of rotation selector for the correct setting (forward or reverse).
- Hold the impact driver with one hand.
- Place the bit on the screw head, bolt head, or nut and slowly depress the switch trigger. Start the bit slowly for more control.
- As the screw, bolt, or nut is driven, impacting will begin.

ELECTRIC BRAKE

The electric brake will stop the bit rotation after the operator releases the switch trigger.

NOTE: Maintenance information begins on page 7 after French and Spanish language sections. Illustrations start on page 8.

This product has a 90-Day Satisfaction Guarantee Policy, as well as a Three-year Limited Warranty. For Warranty and Policy details, please go to www.RIDGID.com or call (toll free) 1-866-539-1710.

AVERTISSEMENTS DE SÉCURITÉ RELATIVES AUX OUTILS ÉLECTRIQUES



AVERTISSEMENT

Lire tous les avertissements et toutes les instructions.

Ne pas suivre l'ensemble des avertissements et des instructions peut entraîner une électrocution, un incendie ou des blessures graves.

Conserver les avertissements et les instructions à des fins de référence ultérieure. Le terme « outil motorisé », utilisé dans tous les avertissements ci-dessous désigne tout outil fonctionnant sur secteur (câblé) ou sur piles (sans fil).

SÉCURITÉ DU LIEU DE TRAVAIL

- **Garder le lieu de travail propre et bien éclairé.** Les endroits encombrés ou sombres sont propices aux accidents.
- **Ne pas utiliser d'outils électriques dans des atmosphères explosives, par exemple en présence de liquides, gaz ou poussières inflammables.** Les outils électriques produisent des étincelles risquant d'enflammer les poussières ou vapeurs.
- **Garder les enfants et badauds à l'écart pendant l'utilisation d'un outil électrique.** Les distractions peuvent causer une perte de contrôle.

SÉCURITÉ ÉLECTRIQUE

- **Les fiches des outils électriques doivent correspondre à la prise secteur utilisée. Ne jamais modifier la fiche, de quelque façon que ce soit. Ne jamais utiliser d'adaptateurs de fiche avec des outils mis à la terre.** Les fiches et prises non modifiées réduisent le risque de choc électrique.
- **Éviter tout contact du corps avec des surfaces mises à la terre, telles que tuyaux, radiateurs, cuisinières et réfrigérateurs.** Le risque de choc électrique est accru lorsque le corps est mis à la terre.
- **Ne pas exposer les outils électriques à l'eau ou l'humidité.** La pénétration d'eau dans ces outils accroît le risque de choc électrique.
- **Ne pas maltraiter le cordon d'alimentation. Ne jamais utiliser le cordon d'alimentation pour transporter l'outil et ne jamais débrancher ce dernier en tirant sur le cordon. Garder le cordon à l'écart de la chaleur, de l'huile, des objets tranchants et des pièces en mouvement.** Un cordon endommagé ou emmêlé accroît le risque de choc électrique.
- **Pour les travaux à l'extérieur, utiliser un cordon spécialement conçu à cet effet.** Utiliser un cordon conçu pour l'usage extérieur pour réduire les risques de choc électrique.
- **S'il est nécessaire d'utiliser l'outil électrique dans un endroit humide, employer un dispositif interrupteur de défaut à la terre (GFCI).** L'utilisation d'un GFCI réduit le risque de décharge électrique.
- **Ne recharger les piles qu'avec l'appareil indiqué. Pour utiliser l'appareil avec des piles au nickel-cadmium et au lithium-ion de 18 V, consulter le supplément de raccordement pour chargeur/outils/piles/appareil n° 988000-302.**

SÉCURITÉ PERSONNELLE

- **Rester attentif, prêter attention au travail et faire preuve de bon sens lors de l'utilisation de tout outil électrique. Ne pas utiliser cet outil en état de fatigue ou sous l'influence de l'alcool, de drogues ou de médicaments.** Un moment d'inattention pendant l'utilisation d'un outil électrique peut entraîner des blessures graves.

- **Utiliser l'équipement de sécurité. Toujours porter une protection oculaire.** L'équipement de sécurité, tel qu'un masque filtrant, de chaussures de sécurité, d'un casque ou d'une protection auditive, utilisé dans des conditions appropriées réduira le risque de blessures.
- **Éviter les démarrages accidentels. S'assurer que le commutateur est en position d'arrêt avant de brancher l'outil.** Porter un outil avec le doigt sur son commutateur ou brancher un outil dont le commutateur est en position de marche peut causer un accident.
- **Retirer les clés de réglage avant de mettre l'outil en marche.** Une clé laissée sur une pièce rotative de l'outil peut causer des blessures.
- **Ne pas travailler hors de portée. Toujours se tenir bien campé et en équilibre.** Ceci permettra de mieux contrôler l'outil en cas de situation imprévue.
- **Porter une tenue appropriée. Ne porter ni vêtements amples, ni bijoux. Garder les cheveux, les vêtements et les gants à l'écart des pièces en mouvement.** Les vêtements amples, bijoux et cheveux longs peuvent se prendre dans les pièces en mouvement.
- **Si les outils sont équipés de dispositifs de dépoussiérage, s'assurer qu'ils sont connectés et correctement utilisés.** L'usage de ces dispositifs de dépoussiérage peut réduire les dangers présentés par la poussière.
- **Ne porter ni vêtements amples, ni bijoux. Attacher ou couvrir les cheveux longs.** Les vêtements amples, bijoux et cheveux longs peuvent se prendre dans les ouïes d'aération.
- **Ne pas utiliser l'outil sur une échelle ou un support instable.** Une bonne tenue et un bon équilibre permettent de mieux contrôler l'outil en cas de situation imprévue.

UTILISATION ET ENTRETIEN DES OUTILS ÉLECTRIQUES

- **Ne pas forcer l'outil. Utiliser l'outil approprié pour l'application.** Un outil approprié exécutera le travail mieux et de façon moins dangereuse s'il est utilisé dans les limites prévues.
- **Ne pas utiliser l'outil si le commutateur ne permet pas de le mettre en marche ou de l'arrêter.** Tout outil qui ne peut pas être contrôlé par son commutateur est dangereux et doit être réparé.
- **Débrancher l'outil et/ou retirer le bloc-piles avant d'effectuer des réglages, de changer d'accessoire ou de remiser l'outil.** Ces mesures de sécurité préventives réduisent les risques de démarrage accidentel de l'outil.
- **Ranger les outils motorisés hors de la portée des enfants et ne laisser personne n'étant pas familiarisé avec l'outil ou ces instructions utiliser l'outil.** Dans les mains de personnes n'ayant pas reçu des instructions adéquates, les outils sont dangereux.
- **Entretenir les outils motorisés. Vérifier qu'aucune pièce mobile n'est mal alignée ou bloquée, qu'aucune pièce n'est brisée et s'assurer qu'aucun autre problème ne risque d'affecter le bon fonctionnement de l'outil. En cas de dommages faire réparer l'outil avant de l'utiliser de nouveau.** Beaucoup d'accidents sont causés par des outils mal entretenus.
- **Garder les outils bien affûtés et propres.** Des outils correctement entretenus et dont les tranchants sont bien affûtés risquent moins de se bloquer et sont plus faciles à contrôler.

AVERTISSEMENTS DE SÉCURITÉ RELATIVES AUX OUTILS ÉLECTRIQUES

- **Utiliser l'outil, les accessoires et embouts, etc. conformément à ces instructions pour les applications pour lesquelles ils sont conçus, en tenant compte des conditions et du type de travail à exécuter.** L'usage d'un outil motorisé pour des applications pour lesquelles il n'est pas conçu peut être dangereux.

UTILISATION ET ENTRETIEN DE LA PILE

- **Ne recharger qu'avec l'appareil spécifié par le fabricant.** Un chargeur approprié pour un type de pile peut créer un risque d'incendie s'il est utilisé avec un autre type de pile.
- **Utiliser exclusivement le bloc-pile spécifiquement indiqué pour l'outil.** L'usage de tout autre bloc peut créer un risque de blessures et d'incendie.
- **Lorsque le bloc-piles n'est pas en usage, le garder à l'écart d'articles tels qu'attaches trombones, pièces de monnaie, clous, vis ou autres petits objets métalliques risquant d'établir le contact entre les deux bornes.** La mise en court-circuit des bornes de piles peut causer des étincelles, des brûlures ou un incendie.

- **En cas d'usage abusif, du liquide peut s'échapper des piles. Éviter tout contact avec ce liquide. En cas de contact accidentel, rincer immédiatement les parties atteintes avec de l'eau. En cas d'éclaboussure dans les yeux consulter un médecin.** Le liquide s'échappant des piles peut causer des irritations ou des brûlures.

DÉPANNAGE

- **Les réparations doivent être confiées à un technicien qualifié, utilisant exclusivement des pièces identiques à celles d'origine.** Ceci assurera le maintien de la sécurité de l'outil.
- **Utiliser exclusivement des pièces identiques à celles d'origine pour les réparations. Se conformer aux instructions de la section Entretien de ce manuel.** L'usage de pièces non autorisées ou le non-respect des instructions peut présenter des risques de choc électrique ou de blessures.

AVERTISSEMENTS DE SÉCURITÉ RELATIFS CLÉ À CHOCS

- **Tenir l'outil électrique par ses surfaces de préhension isolées lors des opérations pendant lesquelles le dispositif de fixation peut entrer en contact avec du câblage caché.** Le contact d'un dispositif de fixation avec un fil sous tension « électrifie » les pièces métalliques exposées de l'outil et peut électrocuter l'utilisateur.
- **Porter des protecteurs d'oreilles avec les perceuses à percussion.** L'exposition au bruit peut entraîner une perte auditive.
- **Ne pas utiliser la clé à chocs comme perceuse.** Elle n'est pas conçue pour cet usage.
- **Apprendre à connaître l'outil. Lire attentivement le manuel d'utilisation. Apprendre les applications et les limites de l'outil, ainsi que les risques spécifiques relatifs à son utilisation.** Le respect de cette consigne réduira les risques d'incendie, de choc électrique et de blessures graves.
- **Toujours porter une protection oculaire certifiée conforme à la norme ANSI Z87.1.** Le respect de cette règle réduira les risques de blessures graves.
- **Protection respiratoire. Porter un masque facial ou un masque antipoussière si le travail produit de la poussière.** Le respect de cette consigne réduira les risques de blessures graves.
- **Protection auditive. Porter une protection auditive lors de l'utilisation prolongée.** Le respect de cette règle réduira les risques de blessures graves.
- **Les outils fonctionnant sur piles n'ayant pas besoin d'être branchés sur une prise secteur, ils sont toujours en état de fonctionnement. Tenir compte des dangers possibles lorsque l'outil n'est pas en usage et lors du remplacement des piles.** Le respect de cette consigne réduira les risques d'incendie, de choc électrique et de blessures graves.
- **Ne pas placer les outils électriques sans fil ou leurs piles à proximité de flammes ou d'une source de chaleur.** Ceci réduira les risques d'explosion et de blessures.

- **Ne pas écraser, faire tomber ou endommager le bloc-piles. Ne jamais utiliser un bloc-piles ou un chargeur qui est tombé, a été écrasé, a reçu un choc violent ou a été endommagé de quelque façon que ce soit.** Une pile endommagée risque d'exploser. Éliminer immédiatement toute pile endommagée, selon une méthode appropriée.
- **Les piles peuvent exploser en présence d'une source d'allumage, telle qu'une veilleuse.** Pour réduire les risques de blessures graves, ne jamais utiliser un appareil sans fil, quel qu'il soit, en présence d'une flamme vive. En explosant, une pile peut projeter des débris et des produits chimiques. En cas d'exposition, rincer immédiatement les parties atteintes avec de l'eau.
- **Ne pas recharger un outil fonctionnant sur piles dans un endroit humide ou mouillé.** Le respect de cette règle réduira les risques de choc électrique.
- **Pour un résultat optimal, les piles de l'outil doivent être rechargées dans un local où la température est de 10 à 38 °C (50 à 100°F).** Ne pas ranger l'outil à l'extérieur ou dans un véhicule.
- **Si l'outil est utilisé de façon intensive ou sous des températures extrêmes, des fuites de pile peuvent se produire. En cas de contact du liquide avec la peau, rincer immédiatement la partie atteinte avec de l'eau. En cas d'éclaboussure dans les yeux, les rincer à l'eau fraîche pendant au moins 10 minutes, puis contacter immédiatement un médecin.** Le respect de cette règle réduira les risques de blessures graves.
- **Conserver ces instructions.** Les consulter fréquemment et les utiliser pour instruire les autres utilisateurs éventuels. Si cet outil est prêté, il doit être accompagné de ces instructions.

SYMBOLES

Les termes de mise en garde suivants et leur signification ont pour but d'expliquer le degré de risques associé à l'utilisation de ce produit.

SYMBOLE	SIGNAL	SIGNIFICATION
	DANGER :	Indique une situation extrêmement dangereuse qui, si elle n'est pas évitée, aura pour conséquences des blessures graves ou mortelles.
	AVERTISSEMENT :	Indique une situation potentiellement dangereuse qui, si elle n'est pas évitée, pourrait entraîner des blessures graves ou mortelles.
	ATTENTION :	Indique une situation potentiellement dangereuse qui, si elle n'est pas évitée, pourrait entraîner des blessures légères ou de gravité modérée.
	AVIS :	(Sans symbole d'alerte de sécurité) Indique une information importante ne concernant pas un risque de blessure comme une situation pouvant occasionner des dommages matériels.

Certains des symboles ci-dessous peuvent être utilisés sur produit. Veiller à les étudier et à apprendre leur signification. Une interprétation correcte de ces symboles permettra d'utiliser produit plus efficacement et de réduire les risques.

SYMBOLE	NOM	DÉSIGNATION / EXPLICATION
	Symbole d'alerte de sécurité	Indique un risque de blessure potentiel.
	Lire le manuel d'utilisation	Pour réduire les risques de blessures, l'utilisateur doit lire et veiller à bien comprendre le manuel d'utilisation avant d'utiliser ce produit.
	Protection oculaire	Toujours porter une protection oculaire avec écrans latéraux certifiée conforme à la norme ANSI Z87.1.
	Avertissement concernant l'humidité	Ne pas exposer à la pluie ou l'humidité.
	Symboles de recyclage	Ce produit utilise les piles de nickel-cadmium (Ni-Cd) ou lithium-ion (Li-ion). Les réglementations locales ou gouvernementales peuvent interdire de jeter les piles dans les ordures ménagères. Consulter les autorités locales compétentes pour les options de recyclage et/ou l'élimination.
V	Volts	Tension
min	Minutes	Temps
—	Courant continu	Type ou caractéristique du courant
n_0	Vitesse à vide	Vitesse de rotation à vide
.../min	Par minute	Tours, coups, vitesse périphérique, orbites, etc., par minute

PROPOSITION 65 DE L'ÉTAT DE CALIFORNIE

AVERTISSEMENT :

Ce produit et la poussière dégagée lors du ponçage, sciage, meulage, perçage de certains matériaux et lors d'autres opérations de construction peuvent contenir des produits chimiques, notamment du plomb qui, selon l'État de la Californie, peuvent causer le cancer, des anomalies congénitales et d'autres dommages au système reproducteur. **Bien se laver les mains après toute manipulation.**

Voici certains exemples de ces produits chimiques :

- le plomb contenu dans la peinture au plomb,
- la silice cristalline contenue dans les briques, le béton et d'autres produits de maçonnerie, ainsi que
- l'arsenic et le chrome contenus dans le bois de construction traité par produits chimiques.

Le risque présenté par l'exposition à ces produits varie en fonction de la fréquence de ce type de travail. Pour réduire l'exposition, travailler dans un endroit bien aéré et utiliser des équipements de sécurité approuvés tels que masques antipoussière spécialement conçus pour filtrer les particules microscopiques.

ASSEMBLAGE

AVERTISSEMENT :

Ne pas utiliser le produit s'il n'est pas complètement assemblé ou si des pièces semblent manquantes ou endommagées. L'utilisation d'un produit dont l'assemblage est incorrect ou incomplet ou comportant des pièces endommagées ou absentes représente un risque de blessures graves.

AVERTISSEMENT :

Ne pas essayer de modifier cet outil ou de créer des accessoires non recommandés. De telles altérations ou modifications sont considérées comme un usage abusif et peuvent créer des conditions dangereuses, risquant d'entraîner des blessures graves.

Si des pièces manquent ou sont endommagées, veuillez appeler au 1-866-539-1710 pour obtenir de l'aide.

UTILISATION

AVERTISSEMENT :

Ne pas laisser la familiarité avec l'outil faire oublier la prudence. Ne pas oublier qu'une fraction de seconde d'inattention peut entraîner des blessures graves.

AVERTISSEMENT :

Toujours retirer la bloc-pile de l'outil au moment d'assembler des pièces, d'effectuer des réglages et de procéder au nettoyage, ou lorsque l'outil n'est pas utilisé. Si cette précaution n'est pas prise, des objets peuvent être projetés dans les yeux et causer des lésions graves.

AVERTISSEMENT :

Toujours porter une protection oculaire avec écrans latéraux certifiée conforme à la norme ANSI Z87.1. Si cette précaution n'est pas prise, des objets peuvent être projetés dans les yeux et causer des lésions graves.

APPLICATIONS

Ce produit peut être utilisé pour les applications ci-dessous:

- Vissage, serrage et desserrage de vis, écrous, et boulons

PROTECTION CONTRE LES SURCHARGES

Le bloc-piles au lithium-ion éteindra automatique l'outil lorsque ce dernier est forcé ou surchargé. Pour redémarrer l'outil, relâcher la gâchette et poursuivre le travail. Ne pas forcer l'outil.

PROTECTION CONTRE LES HAUTES TEMPÉRATURES

Les blocs-piles au lithium-ion sont équipés d'un dispositif de protection contre les hautes températures qui désactive l'outil en cas de surchauffe. Avant de poursuivre le travail, laisser refroidir l'outil, puis appuyer sur la gâchette.

INSTALLATION ET RETRAIT DU AGRAFE DE COURROIE

Voir la figure 1, page 8.

L'agrafe de courroie peut être fixé d'un côté ou l'autre de l'outil.

- Aligner les trous du agrafe de courroie avec les trous du logement.
- Installer le vis pour fixer solidement le agrafe de courroie.
- Pour retirer, dévisser le vis et retire le agrafe de courroie.

GÂCHETTE À VARIATION DE VITESSE

Voir la figure 2, page 8.

La gâchette avec variation de vitesse procurera des vitesses plus élevées si une pression accrue est exercée et des vitesses moins élevées dans le cas d'une pression réduite.

Pour mettre l'outil en **MARCHE**, appuyer sur la gâchette. Pour **ÉTEINDRE** l'outil, relâcher la gâchette et laisser le coupleur parvenir à l'arrêt complet.

NOTE : Un bruit de sifflement ou de tintement provenant de la gâchette pendant l'utilisation est une situation normale pour cet interrupteur.

SÉLECTEUR DE SENS DE ROTATION (AVANT/ARRIÈRE/VERROUILLAGE)

Voir la figure 2, page 8.

Régler le sélecteur de sens de rotation à la position **OFF** (position centrale verrouillée) pour verrouiller la gâchette pour réduire la possibilité d'un démarrage accidentel lorsque l'appareil n'est pas utilisé.

Positionner le sélecteur de sens de rotation du côté gauche de la gâchette pour pouvoir utilisation vers l'avant. Positionner le sélecteur de sens de rotation du côté droit de la gâchette pour inverser le sens de rotation.

NOTE : L'outil ne peut fonctionner que si le sélecteur de sens de rotation est poussé à fond vers la droite ou la gauche.

AVIS :

Pour éviter des dommages aux engrenages, toujours laisser le coupleur parvenir à l'arrêt complet avant de changer de sens de rotation.

UTILISATION

AVERTISSEMENT :

Les outils à piles sont toujours en état de fonctionnement. Verrouiller la gâchette lorsque l'outil n'est pas utilisé ou pour le transporter le long du corps, pour insérer ou retirer le bloc-piles et lors de l'installation ou du retrait des embouts.

SÉLECTEUR DE VITESSE/COUPLE

Voir la figure 3, page 8.

La vitesse et le couple de la clé à chocs peuvent être modifiés pour effectuer divers travaux.

- BASSE (1) vitesse/couple (0-1 000 RPM/420 po-lbs)
- MOYEN (2) vitesse/couple (0-2 000 RPM/1 360 po-lbs)
- RAPIDE (3) vitesse/couple (0-2 750 RPM/2 300 po-lbs)

AVIS :

Ne jamais changer de gamme de vitesse lorsque l'outil est en fonctionnement. Le non respect de cette mise en garde pourrait entraîner de sérieux dommages de l'outil.

INSTALLATION ET RETRAIT DU BLOC-PILES

Voir la figure 4, page 8.

Installation du bloc-piles :

- Verrouiller la gâchette en mettant le sélecteur de sens de rotation (avant / arrière / verrouillage central) en position centrale.
- Aligner la nervure du bloc de piles sur la rainure intérieure de la clé à chocs.
- S'assurer que ses deux loquets latéraux s'engagent correctement et vérifier que le bloc est solidement assujéti avant d'utiliser l'outil.

Retrait du bloc-piles :

- Verrouiller la gâchette en mettant le sélecteur de sens de rotation en position centrale.
- Appuyer sur les deux loquets se trouvant sur les côtés du bloc de piles pour le séparer de la outil.

INSTALLATION ET RETRAIT DES EMBOUTS

Voir la figure 5, page 8.

- **Pour insérer les embouts**, retirer le bloc-piles.
- Enfoncer l'embout dans le coupleur jusqu'à ce qu'il s'enclenche en place.

NOTE : Si l'embout ne s'insère pas facilement dans le coupleur, tirer le coupleur vers l'avant et réinsérer l'embout.

- Tirer sur l'embout pour vérifier qu'il est bien maintenu dans le coupleur. L'embout installé peut présenter un peu de jeu. Ceci est normal.

NOTE : N'utiliser que des embouts pour clé à chocs dotés d'une rainure de verrouillage.

AVERTISSEMENT :

S'assurer que l'embout est solidement maintenu dans le coupleur avant d'utiliser la clé à chocs. Ne pas prendre cette précaution peut entraîner des risques de blessures graves.

- **Pour retirer les embouts**, retirer le bloc-piles.
- La tête de l'outil étant dirigée à l'écart de soi, tirer le coupleur vers l'extérieur de la clé à chocs.
- L'embout sera éjecté du coupleur.

AMPOULES À DEL À 3 FAISCEAUX

Voir la figure 6, page 8.

Les ampoules à DEL, qui est située autour de le coupleur de l'outil, s'allume automatiquement lorsque vous appuyez sur la gâchette de commutateur ou interrupteur de la lampe DÉL de la poignée.

Lorsque la perceuse n'est pas en usage, la fonction d'arrêt fait en sorte que la lampe faiblit et s'éteint.

Les ampoules à DEL faisceaux s'allume seulement lorsqu'un bloc-piles chargé se trouve dans l'outil.

UTILISER LA CLÉ À CHOCS

Voir les figures 7 et 8, page 9.

AVIS :

La clé à choc n'est pas conçue pour être utilisée comme une perceuse.

AVERTISSEMENT :

Ne pas enfoncer de vis dans des surfaces pouvant dissimuler des fils électriques. En cas de contact avec un fil sous tension, les parties métalliques de l'outil seraient mises sous tension et probablement choc l'opérateur. Si vous devez enfoncer une vis dans un endroit où des fils électriques cachés peuvent être présents, tenir l'outil par les surfaces de prise isolées pour éviter un choc électrique.

- Verrouiller la gâchette en mettant le sélecteur de sens de rotation en position avant ou arrière.
- Tenir la clé à chocs d'une main.
- Placer l'embout sur la tête de la vis, tête de la boulon, ou écrou, et appuyer lentement sur la gâchette. Nous recommandons de commencer avec une rotation lente pour un meilleur contrôle.
- La vis, boulon, ou écrou commence à s'enfoncer sous l'effet des chocs.

FREIN ÉLECTRIQUE

Le frein électrique arrête la rotation de l'embout lorsque l'opérateur relâche la gâchette.

NOTE : Section Entretien commençant sur 7 de page après la section Español.

Illustrations commençant sur la page 8.

Ce produit est accompagné d'une politique de satisfaction de 90 jours et d'une garantie limitée de trois (3) ans. Pour obtenir les détails de la garantie et de la politique, visiter le site www.RIDGID.com ou appeler (sans frais) au 1-866-539-1710.

ADVERTENCIAS DE SEGURIDAD PARA HERRAMIENTAS ELÉCTRICAS



ADVERTENCIA

Lea todas las advertencias de seguridad y las instrucciones. El incumplimiento de las advertencias e instrucciones puede ocasionar descarga eléctrica, fuego o lesiones graves.

Guarde todas las advertencias e instrucciones para futuras consultas. El término "herramienta eléctrica" empleado en todos los avisos de advertencia enumerados abajo se refiere a las herramientas eléctricas de cordón (alámbricas) y de baterías (inalámbricas).

SEGURIDAD EN EL ÁREA DE TRABAJO

- **Mantenga limpia y bien iluminada el área de trabajo.** Un área de trabajo mal despejada o mal iluminada propicia accidentes.
- **No utilice herramientas motorizadas en atmósferas explosivas, como las existentes alrededor de líquidos, gases y polvos inflamables.** Las herramientas eléctricas generan chispas que pueden encender el polvo y los vapores inflamables.
- **Mantenga alejados a los niños y circunstantes al maniobrar una herramienta eléctrica.** Toda distracción puede causar pérdida del control de la herramienta.

SEGURIDAD ELÉCTRICA

- **Las clavijas de las herramientas eléctricas deben corresponder a las tomas de corriente donde se conectan. Nunca modifique la clavija de ninguna forma. No utilice ninguna clavija adaptadora con herramientas eléctricas dotadas de contacto a tierra.** Conectando las clavijas originales en las tomas de corriente donde corresponden se disminuye el riesgo de una descarga eléctrica.
- **Evite el contacto del cuerpo con las superficies de objetos que estén haciendo tierra o estén conectados a ésta, como tuberías, radiadores, estufas y refrigeradores.** Existe un mayor riesgo de descargas eléctricas si el cuerpo está haciendo tierra.
- **No exponga las herramientas eléctricas a la lluvia ni a condiciones de humedad.** La introducción de agua en una herramienta eléctrica aumenta el riesgo de descargas eléctricas.
- **No maltrate el cordón eléctrico. Nunca utilice el cordón para trasladar, desconectar o tirar de la herramienta eléctrica. Mantenga el cordón alejado del calor, del aceite, de bordes afilados y de piezas móviles.** Los cordones eléctricos dañados o enredados aumentan el riesgo de descargas eléctricas.
- **Al utilizar una herramienta eléctrica a la intemperie, use un cordón de extensión apropiado para el exterior.** Usando un cordón adecuado para el exterior se disminuye el riesgo de descargas eléctricas.
- **Si debe operar una herramienta en lugares húmedos, use un suministro protegido por un interruptor de circuito con pérdida a tierra (GFCI).** El uso de un GFCI reduce el riesgo de descargas eléctricas.
- **Cargue las baterías solamente con el cargador indicado. Para utilizar con paquetes de baterías de níquel-cadmio de 18 V o de iones de litio de 18 V, consulte el folleto de la herramienta/aparato/paquete de baterías/cargador complementario 988000-302.**

SEGURIDAD PERSONAL

- **Permanezca alerta, preste atención a lo que esté haciendo y aplique el sentido común al utilizar herramientas eléctricas. No utilice la herramienta eléctrica si está cansado o se encuentra bajo los efectos de alguna droga, alcohol o medicamento.** Un momento de inatención al utilizar una herramienta eléctrica puede causar lesiones corporales serias.

- **Use equipo de seguridad. Siempre póngase protección ocular.** El uso de equipo de seguridad como mascarilla para el polvo, calzado de seguridad, casco y protección para los oídos en las circunstancias donde corresponda disminuye el riesgo de lesiones.
- **Evite un arranque accidental de la unidad. Asegúrese de que el interruptor esté en la posición de apagado antes de conectar la herramienta.** Portar las herramientas eléctricas con el dedo en el interruptor, o conectarlas con el interruptor puesto, propicia accidentes.
- **Retire toda llave o herramienta de ajuste antes de encender la herramienta eléctrica.** Toda llave o herramienta de ajuste dejada en una pieza giratoria de la herramienta eléctrica puede causar lesiones.
- **No estire el cuerpo para alcanzar mayor distancia. Mantenga una postura firme y buen equilibrio en todo momento.** De esta manera se logra un mejor control de la herramienta eléctrica en situaciones inesperadas.
- **Vístase adecuadamente. No vista ropas holgadas ni joyas. Mantenga el cabello, la ropa y los guantes alejados de las piezas móviles.** Las ropas holgadas, las joyas y el cabello largo pueden engancharse en las piezas móviles.
- **Si se suministran dispositivos para conectar mangueras de extracción y captación de polvo, asegúrese de que éstas estén bien conectadas y se usen correctamente.** La utilización de captador de polvo puede disminuir los peligros relacionados con el polvo.
- **No vista ropas holgadas ni joyas. Recójase el cabello si está largo.** Las ropas holgadas y las joyas, así como el cabello largo, pueden resultar atraídas hacia el interior de las aberturas de ventilación.
- **No utilice la unidad al estar en una escalera o en un soporte inestable.** Una postura estable sobre una superficie sólida permite un mejor control de la herramienta eléctrica en situaciones inesperadas.

EMPLEO Y CUIDADO DE LA HERRAMIENTA ELÉCTRICA

- **No fuerce la herramienta eléctrica. Utilice la herramienta eléctrica adecuada para cada trabajo.** La herramienta eléctrica adecuada efectúa mejor y de manera más segura el trabajo, si además se maneja a la velocidad para la que está diseñada.
- **No utilice la herramienta si el interruptor no enciende o no apaga.** Cualquier herramienta eléctrica que no pueda controlarse con el interruptor es peligrosa y debe repararse.
- **Desconecte la clavija del suministro de corriente o retire el paquete de baterías de la herramienta eléctrica, según sea el caso, antes de efectuarle cualquier ajuste, cambiarle accesorios o guardarla.** Tales medidas preventivas de seguridad reducen el riesgo de poner en marcha accidentalmente la herramienta.
- **Guarde las herramientas eléctricas desocupadas fuera del alcance de los niños y no permita que las utilicen personas no familiarizadas con las mismas o con estas instrucciones.** Las herramientas eléctricas son peligrosas en manos de personas no capacitadas en el uso de las mismas.
- **Preste servicio a las herramientas eléctricas. Revise para ver si hay desalineación o atoramiento de piezas móviles, ruptura de piezas o cualquier otra condición que pueda afectar el funcionamiento de la herramienta. Si está dañada la herramienta eléctrica, permita que la reparen antes de usarla.** Numerosos accidentes son causados por herramientas eléctricas mal cuidadas.

ADVERTENCIAS DE SEGURIDAD PARA HERRAMIENTAS ELÉCTRICAS

- **Mantenga las herramientas de corte afiladas y limpias.** Las herramientas de corte bien cuidadas y con bordes bien afilados, tienen menos probabilidad de atascarse en la pieza de trabajo y son más fáciles de controlar.
- **Utilice la herramienta eléctrica, los accesorios y brocas, hojas y cuchillas de corte, ruedas de esmeril, etc. de conformidad con estas instrucciones, tomando en cuenta las condiciones de trabajo y la tarea por realizar.** Si se utiliza la herramienta eléctrica para operaciones diferentes de las indicadas podría originar una situación peligrosa.

EMPLEO Y CUIDADO DE LA HERRAMIENTA DE BATERÍAS

- **Sólo cargue el paquete de baterías con el cargador especificado por el fabricante.** Un cargador adecuado para un tipo paquete de baterías puede significar un riesgo de incendio si se emplea con un paquete de baterías diferente.
- **Utilice las herramientas eléctricas sólo con los paquetes de baterías específicamente indicados.** El empleo de paquetes de baterías diferentes puede presentar un riesgo de incendio.
- **Cuando no esté utilizándose el paquete de baterías, manténgalo lejos de otros objetos metálicos, como clips,**

monedas, llaves, clavos, tornillos o otros objetos metálicos, pequeños que puedan establecer conexión entre ambas terminales. Establecer una conexión directa entre las dos terminales de las baterías puede causar quemaduras o incendios.

- **Si se maltratan las baterías, puede derramarse líquido de las mismas; evite todo contacto con éste. En caso de contacto, lávese con agua. Si el líquido llega a tocar los ojos, además busque atención médica.** El líquido de las baterías puede causar irritación y quemaduras.

SERVICIO

- **Permita que un técnico de reparación calificado preste servicio a la herramienta eléctrica, y sólo con piezas de repuesto idénticas.** De esta manera se mantiene la seguridad de la herramienta eléctrica.
- **Al dar servicio a una herramienta eléctrica, sólo utilice piezas de repuesto idénticas. Siga las instrucciones señaladas en la sección Mantenimiento de este manual.** El empleo de piezas no autorizadas o el incumplimiento de las instrucciones de mantenimiento puede significar un riesgo de descarga eléctrica o de lesiones.

ADVERTENCIAS DE SEGURIDAD DESTORNILLADOR DE IMPACTO




- **Sujete la herramienta eléctrica por las superficies aisladas de sujeción al efectuar una operación en la cual el sujetador pueda entrar en contacto con cables ocultos.** Si los sujetadores tocan cables con corriente, las piezas metálicas expuestas de la herramienta eléctrica pueden transportar corriente y ocasionar así una descarga eléctrica al operador.
- **Use protectores auditivos cuando utilice un taladro de impacto.** La exposición a ruidos puede producir pérdida de la audición.
- **No use el destornillador de impacto como si fuera taladro.** El destornillador de impacto no está diseñado para utilizarse como taladro.
- **Familiarícese con su herramienta eléctrica. Lea cuidadosamente el manual del operador. Aprenda sus usos y limitaciones, así como los posibles peligros específicos de esta herramienta eléctrica.** Con el cumplimiento de esta regla se reduce el riesgo de una descarga eléctrica, incendio o lesión seria.
- **Siempre póngase protección ocular con la marca de cumplimiento de la norma ANSI Z87.1.** Con el cumplimiento de esta regla se reduce el riesgo de lesiones corporales serias.
- **Protéjase los pulmones. Use una careta o mascarilla contra el polvo si la operación genera mucho polvo.** Con el cumplimiento de esta regla se reduce el riesgo de lesiones serias.
- **Protéjase los oídos. Durante períodos prolongados de utilización del producto, póngase protección para los oídos.** Con el cumplimiento de esta regla se reduce el riesgo de lesiones corporales serias.
- **No se necesita conectar a una toma de corriente las herramientas de baterías; por lo tanto, siempre están en condiciones de funcionamiento. Esté consciente de los posibles peligros cuando no esté usando la herramienta de baterías o cuando esté cambiando los accesorios de la**

misma. Con el cumplimiento de esta regla se reduce el riesgo de una descarga eléctrica, incendio o lesión corporal seria.







- **No coloque herramientas de baterías ni las baterías mismas cerca del fuego o del calor.** De esta manera se reduce el riesgo de explosiones y de lesiones.
- **No aplaste, deje caer o dañe de baterías. Nunca utilice una batería o cargador que se ha caído, aplastado, recibido un golpe contundente o ha sido dañado(a) de alguna manera.** Las baterías dañadas pueden sufrir explosiones. Deseche de inmediato toda batería que haya sufrido una caída o cualquier daño.
- **Las baterías pueden explotar en presencia de fuentes de inflamación, como los pilotos de gas.** Para reducir el riesgo de lesiones serias, nunca use un producto inalámbrico en presencia de llamas expuestas. La explosión de una batería puede lanzar fragmentos y compuestos químicos. Si ha quedado expuesto a la explosión de una batería, lávese de inmediato con agua.
- **No cargue herramientas de baterías en lugares mojados o húmedos.** Con el cumplimiento de esta regla se reduce el riesgo de una descarga eléctrica.
- **Para obtener resultados óptimos, debe cargar la herramienta de baterías en un lugar donde la temperatura esté entre 10 y 38 °C (entre 50 y 100 °F).** No guarde la herramienta a la intemperie ni en el interior de vehículos.
- **En condiciones extremas de uso o temperatura las baterías pueden emanar líquido. Si el líquido llega a tocarle la piel, lávese de inmediato con agua y jabón. Si le entra líquido en los ojos, láveselos con agua limpia por lo menos 10 minutos, y después busque de inmediato atención médica.** Con el cumplimiento de esta regla se reduce el riesgo de lesiones corporales serias.
- **Guarde estas instrucciones.** Consúltelas con frecuencia y empléelas para instruir a otras personas que puedan utilizar esta herramienta. Si presta a alguien esta herramienta, facilítele también las instrucciones.

SÍMBOLOS

Las siguientes palabras de señalización y sus significados tienen el objeto de explicar los niveles de riesgo relacionados con este producto.

SÍMBOLO	SEÑAL	SIGNIFICADO
	PELIGRO:	Indica una situación peligrosa inminente, la cual, si no se evita, causará la muerte o lesiones serias.
	ADVERTENCIA:	Indica una situación peligrosa posible, la cual, si no se evita, podría causar la muerte o lesiones serias.
	PRECAUCIÓN:	Indica una situación potencialmente peligrosa la cual, si no se evita, puede causar lesiones leves o moderadas.
	AVISO:	(Sin el símbolo de alerta de seguridad) Indica información importante no relacionada con ningún peligro de lesiones, como una situación que puede ocasionar daños físicos.

Es posible que se empleen en este producto algunos de los siguientes símbolos. Le suplicamos estudiarlos y aprender su significado. Una correcta interpretación de estos símbolos le permitirá utilizar mejor y de manera más segura el producto.

SÍMBOLO	NOMBRE	DENOMINACIÓN/EXPLICACIÓN
	Alerta de seguridad	Indica un peligro posible de lesiones personales.
	Lea el manual del operador	Para reducir el riesgo de lesiones, el usuario debe leer y comprender el manual del operador antes de usar este producto.
	Protección ocular	Siempre póngase protección ocular con protección lateral con la marca de cumplimiento de la norma ANSI Z87.1.
	Alerta de condiciones húmedas	No exponga la unidad a la lluvia ni la use en lugares húmedos.
	Símbolos de reciclado	Este producto contiene baterías de níquel-cadmio o iones de litio. Es posible que algunas leyes municipales, estatales o federales prohíban desechar las baterías de níquel-cadmio en la basura normal. Consulte a las autoridades reguladoras de desechos para obtener información en relación con las alternativas de reciclado y desecho disponibles.
V	Volts	Voltaje
min	Minutos	Tiempo
	Corriente continua	Tipo o característica de corriente
n_0	Velocidad en vacío	Velocidad de rotación, en vacío
.../min	Por minuto	Revoluciones, carreras, velocidad superficial, órbitas, etc., por minuto

CALIFORNIA - PROPUESTA DE LEY NÚM. 65

ADVERTENCIA:

Este producto y algunos polvos generados al efectuarse operaciones de lijado, aserrado, esmerilado, taladrado y otras actividades de la construcción, contienen sustancias químicas reconocidas por el estado de California como causantes de cáncer, defectos congénitos y otras afecciones del aparato reproductor. **Lávese las manos después de utilizar el aparato.**

Algunos ejemplos de estas sustancias químicas son:

- plomo de las pinturas a base de plomo,
- silicio cristalino de los ladrillos, del cemento y de otros productos de albañilería, y
- arsénico y cromo de la madera químicamente tratada.

El riesgo de la exposición a estos compuestos varía, según la frecuencia con que se realice este tipo de trabajo. Para reducir la exposición personal, trabaje en áreas bien ventiladas, y con equipo de seguridad aprobado, tal como las caretas para el polvo especialmente diseñadas para filtrar partículas microscópicas.

ARMADO

ADVERTENCIA:

No use este producto si no está totalmente ensamblado o si alguna pieza falta o está dañada. El uso de un producto que no está adecuadamente y completamente ensamblado o posee partes dañadas o faltantes puede resultar en lesiones personales graves.

ADVERTENCIA:

No intente modificar este producto ni crear accesorios que no estén recomendados para usar con este producto. Dichas alteraciones o modificaciones constituyen un uso indebido y podrían provocar una situación de riesgo que cause posibles lesiones personales graves.

Si hay piezas dañadas o faltantes, le suplicamos llamar al 1-866-539-1710, donde le brindaremos asistencia.

FUNCIONAMIENTO

ADVERTENCIA:

No permita que su familiarización con las herramientas lo vuelva descuidado. Tenga presente que un descuido de un instante es suficiente para causar una lesión grave.

ADVERTENCIA:

Siempre retire el paquete de baterías de la herramienta cuando esté ensamblando partes, realizando ajustes, limpiando o cuando ésta no esté en uso. Retirando el paquete de baterías se evita arrancar accidentalmente la unidad, lo cual puede causar lesiones serias.

ADVERTENCIA:

Siempre póngase protección ocular con protección lateral con la marca de cumplimiento de la norma ANSI Z87.1. Si no cumple esta advertencia, los objetos que salen despedidos pueden producirle lesiones serias en los ojos.

APPLICATIONS

Este producto puede emplearse para los fines siguientes:

- Introducción, apriete y remoción tornillos, tuercas, y pernos

PROTECCIÓN CONTRA SOBRECARGAS

Cuando se fuerce o sobrecargue la herramienta, el paquete de baterías de iones de litio apagará la herramienta en forma automática. Para reiniciar la herramienta, suelte el gatillo y reanude la operación. No fuerce la herramienta.

PROTECCIÓN CONTRA ALTAS TEMPERATURAS

Los paquetes de baterías de iones de litio están equipados con una función de protección contra altas temperaturas que desactiva la herramienta automáticamente cuando se sobrecalienta. Cuando se sobrecalientan la herramienta o la batería, la herramienta se apagará automáticamente. Para reanudar la operación, permita que la herramienta se enfríe y, luego, oprima el gatillo.

INSTALACIÓN / DESMONTAR DE GANCHO DEL CINTURÓN

Vea la figura 1, página 8.

El gancho para el cinturón se puede usar en cualquiera de los dos lados de la herramienta.

- Alinee el orificio de gancho del cinturón con el orificio de alojamiento.

- Coloque el tornillo para asegurarla.

- Para retirar, afloje el tornillo y retire el gancho del cinturón.

GATILLO DEL INTERRUPTOR DE VELOCIDAD VARIABLE

Vea la figura 2, página 8.

El gatillo de velocidad variable produce mayor velocidad cuanto mayor presión se aplica en el gatillo, y menor velocidad cuanto menor presión se aplica en el mismo.

Para **ENCENDER** la herramienta, oprima el gatillo del interruptor. Para **DETENER** la herramienta, suelte el gatillo del interruptor y permita que se detenga completamente el acoplador.

NOTA: Un silbido o zumbido que viene del interruptor durante el uso es una parte normal de la función del interruptor.

SELECTOR DE SENTIDO DE ROTACIÓN (MARCHA ADELANTE/ATRÁS/SEGURO EN EL CENTRO)

Vea la figura 2, página 8.

Ajuste el selector de sentido de rotación en la posición de **APAGADO** (seguro en el centro) para bloquear el gatillo del interruptor y ayudar a prevenir un arranque accidental cuando no esté en uso.

Ubique el selector de sentido de rotación a la izquierda del gatillo del interruptor para utilizar la herramienta hacia adelante. Ubique el selector a la derecha del gatillo del interruptor para taladrar hacia atrás.

NOTA: La herramienta no funciona a menos que se empuje el selector de dirección de giro completamente a la izquierda o derecha.

AVISO:

Para evitar dañar el engranaje, antes de cambiar el sentido de rotación siempre permita que se detenga completamente el acoplador.

ADVERTENCIA:

Las herramientas de baterías siempre están en condiciones de funcionamiento. Bloquee el interruptor cuando no esté en uso o lo lleve a su lado, al instalar o extraer el paquete de baterías y al instalar o extraer brocas.

OPERATION

CONTROL DE VELOCIDAD/TORSIÓN

Vea la figura 3, página 8.

La velocidad y la torsión del destornillador de impacto pueden cambiarse para distintas aplicaciones.

- BAJA (1) velocidad/ torsión (0-850 RPM/200 lbs-pulg.)
- MEDIANO (2) velocidad/ torsión (0-2 100 RPM/700 lbs-pulg.)
- ALTA (3) velocidad/ torsión (0-2 900 RPM/1 750 in. lbs-pulg.)

AVISO:

Nunca cambie de gama de velocidad mientras esté funcionando la herramienta. El incumplimiento de esta precaución puede producir daños serios en la herramienta.

INSTALACIÓN / DESMONTAR DEL PAQUETE DE BATERÍAS

Vea la figura 4, página 8.

Para instalar el paquete de baterías:

- Asegure el gatillo del interruptor; para ello, coloque el selector de sentido de rotación (adelante-atrás-seguro en el centro) en la posición central.
- Alinee la costilla realizada del paquete de baterías con la ranura situada en el interior del taladro.
- Asegúrese de que los pestillos situados en ambos lados del paquete de baterías entren completamente en su lugar con un chasquido, y de que el paquete quede bien fijo antes de empezar a utilizar éste.

Desmontar el paquete de baterías:

- Asegure el gatillo del interruptor del taladro; para ello, coloque el selector de sentido de rotación en la posición central.
- Al oprimirse los pestillos situados en ambos lados del paquete de baterías.

INSTALACIÓN / REMOCIÓN DE LAS BROCAS

Vea la figura 5, página 8.

- **Para instalar las brocas**, retire el paquete de baterías.
- Presione la punta en el acoplador hasta que se encaje en su lugar con un clic.

NOTA: Si la broca no se inserta fácilmente en el acoplador, tire del acoplador hacia adelante e inserte la broca.

- Tirer sur l'embout pour vérifier qu'il est bien maintenu dans le coupleur. L'embout installé peut présenter un peu de jeu. Ceci est normal.

NOTA: Sólo utilice puntas de destornillador de impacto de alta calidad con ranura de aseguramiento.

ADVERTENCIA:

Asegúrese de que la punta de destornillador esté asegurada en el acoplador antes de usar el destornillador de impacto. La inobservancia de esta advertencia puede causar lesiones serias.

- **Para retire las brocas**, retire el paquete de baterías.
- Con la punta de la herramienta apuntando en la dirección opuesta a la que usted se encuentra, tire del acoplador para retirarlo del destornillador.
- La punta quedará expulsada del acoplador.

LUCES DÉL DE TRES HACES

Vea la figura 6, página 8.

Los Luces DÉL, la cual está situada al lado del acoplador, ilumina automáticamente cuando se oprime el gatillo del interruptor o el interrupteur de la lampe DÉL de la poignée.

Si la herramienta no está en uso, la función de tiempo de espera hará que la luz comience a perder intensidad y, luego, se apagará.

Los Luces DÉL luminiscente solamente ilumina cuando hay un paquete de batería cargado en la herramienta.

USO DEL DESTORNILLADOR DE IMPACTO

Vea las figuras 7 y 8, página 9.

AVISO:

El destornillador de impacto no está diseñado para utilizarse como taladro.

ADVERTENCIA:

No introduzca tornillos donde pudiera haber cables ocultos detrás de la superficie. Todo contacto de una herramienta con un cable cargado carga las piezas metálicas expuestas de la herramienta y da una descarga eléctrica posiblemente al operador. Si debe introducir tornillos donde pudiera haber cables ocultos, siempre sujete la herramienta por las superficies aisladas de sujeción (mango) al efectuar una operación para evitar una descarga eléctrica al operador.

- Revise el selector de sentido de rotación para ver si está en la posición correcta (marcha adelante o atrás).
- Sujete el destornillador de impacto firmemente con una mano.
- Coloque la punta de destornillador en la cabeza del tornillo, la cabeza del perno, y tuerca y oprima lentamente el gatillo del interruptor. Empieza a girar lentamente la punta de destornillador para tener mayor control.
- A medida que se enrosca el tornillo, perno, y tuerca, comienza la aplicación de impactos.

FRENO ELÉCTRICO

El freno eléctrico detiene el giro de la punta de destornillador después de soltar el operador el gatillo del interruptor.

Este producto tiene una política de satisfacción garantizada de 90 días y una garantía limitada de tres años. Para obtener detalles sobre la garantía y la política de satisfacción garantizada, dirijase a www.RIDGID.com o llame sin cargo al 1-866-539-1710.

MAINTENANCE

WARNING:

When servicing, use only identical replacement parts. Use of any other parts could create a hazard or cause product damage.

GENERAL MAINTENANCE

Avoid using solvents when cleaning plastic parts. Most plastics are susceptible to damage from various types of commercial solvents and may be damaged by their use. Use clean cloths to remove dirt, dust, oil, grease, etc.

ENTRETIEN

AVERTISSEMENT :

Utiliser exclusivement des pièces d'origine pour les réparations. L'usage de toute autre pièce pourrait créer une situation dangereuse ou endommager l'produit.

ENTRETIEN GÉNÉRAL

Éviter d'utiliser des solvants pour le nettoyage des pièces en plastique. La plupart des matières plastiques peuvent être endommagées par divers types de solvants du commerce. Utiliser un chiffon propre pour éliminer la saleté, la poussière, l'huile, la graisse, etc.

MANTENIMIENTO

ADVERTENCIA:

Al dar servicio a la unidad, sólo utilice piezas de repuesto idénticas. El empleo de piezas diferentes podría causar un peligro o dañar el producto.

MANTENIMIENTO GENERAL

Evite el empleo de solventes al limpiar piezas de plástico. La mayoría de los plásticos son susceptibles a diferentes tipos de solventes comerciales y pueden resultar dañados. Utilice paños limpios para eliminar la suciedad, el polvo, el aceite, la grasa, etc.

R86035

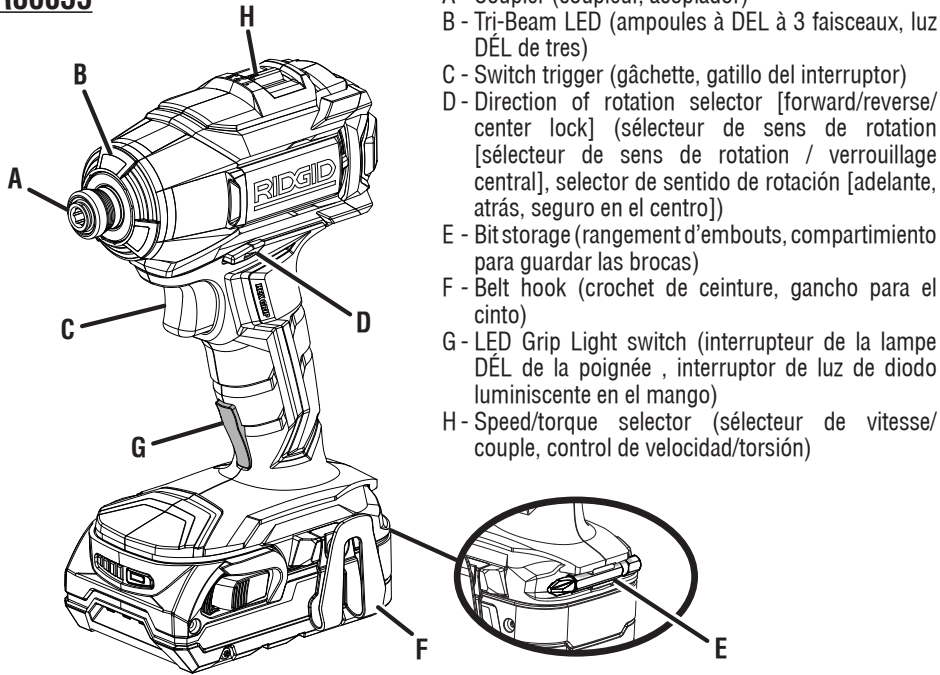
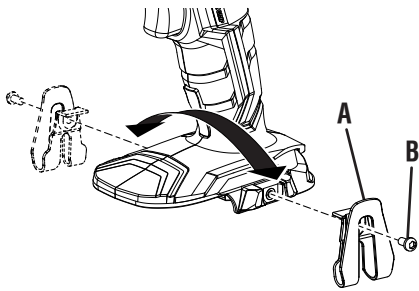
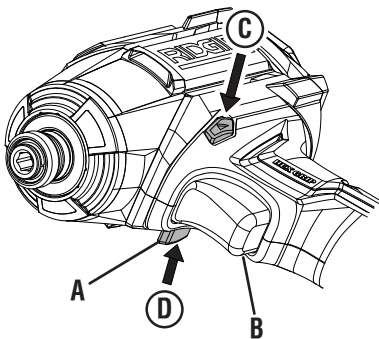


Fig. 1



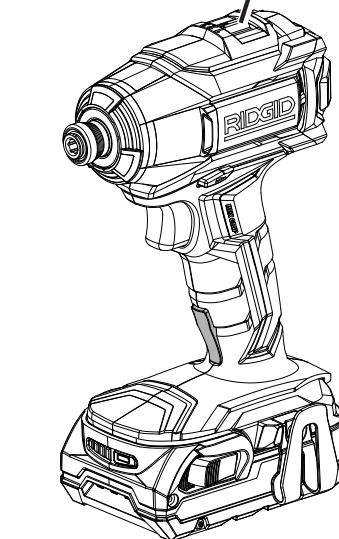
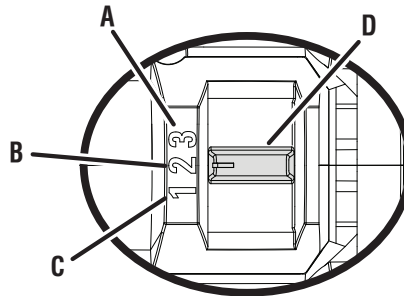
- A - Belt hook (crochet de ceinture, gancho para el cinto)
- B - Screw (vis, tornillo)

Fig. 2



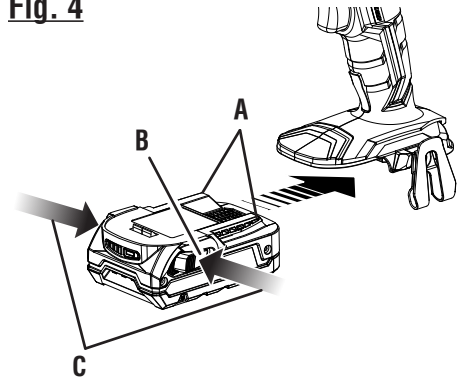
- A - Direction of rotation selector [forward/reverse/center lock] (sélecteur de sens de rotation [sélecteur de sens de rotation / verrouillage central], selector de sentido de rotación [adelante, atrás, seguro en el centro])
- B - Switch trigger (gâchette, gatillo del interruptor)
- C - Reverse (rotation arrière, marcha atrás)
- D - Forward (rotation avant, marcha adelante)

Fig. 3



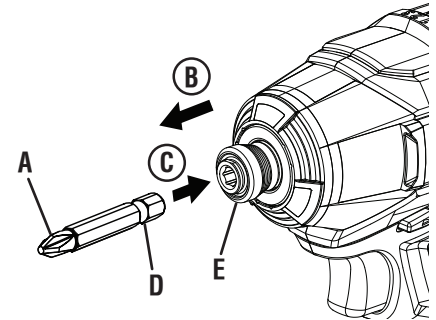
- A - HIGH Speed/Torque (3) [vitesse/couple RAPIDE (3), ALTA velocidad/ torsión (3)]
- B - MEDIUM Speed/Torque (2) [vitesse/couple MOYEN (2), MEDIANO velocidad/ torsión (2)]
- C - LOW Speed/Torque (1) [vitesse/couple BASSE (1), BAJA velocidad/ torsión (1)]
- D - Speed/torque selector (sélecteur de vitesse/ couple, control de velocidad/ torsión)

Fig. 4



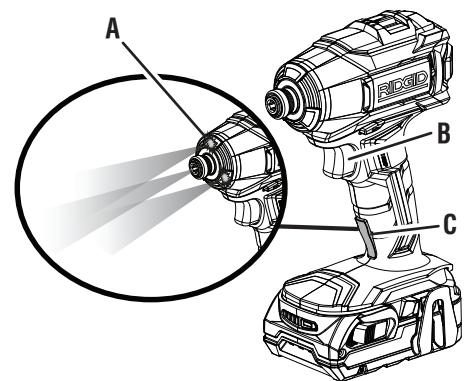
- A - Raised ribs (épaulements surélevés, costillas realzadas)
- B - Latch (loquet, pestillo)
- C - Depress latch to release battery pack (appuyer sur les loquets pour libérer le bloc-pile, para soltar el paquete de baterías oprima los pestillos)

Fig. 5



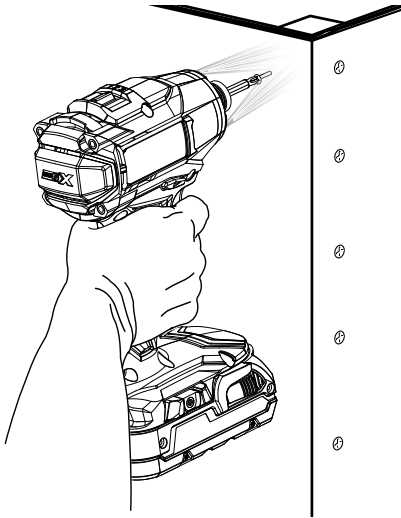
- A - Bit (embout, broca)
- B - To eject bit (pour éjecter l'embout, para expulsar la punta)
- C - To insert bit (pour insérer l'embout, para insertar la punta)
- D - Locking groove (rainure de verrouillage, ranura de aseguramiento)
- E - Coupler (coupleur, acoplador)

Fig. 6



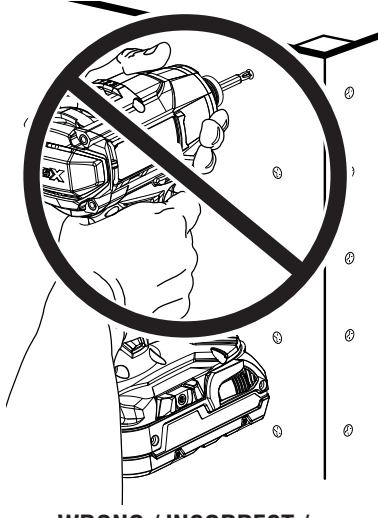
- A - Tri-Beam LED (ampoules à DEL à 3 faisceaux, luz DEL de tres)
- B - Switch trigger (gâchette, gatillo del interruptor)
- C - LED Grip Light switch (interrupteur de la lampe DEL de la poignée, interruptor de luz de diodo luminiscente en el mango)

Fig. 7



RIGHT / CORRECT / FORMA CORRECTA

Fig. 8



**WRONG / INCORRECT /
FORMA INCORRECTA**

OPERATOR'S MANUAL

MANUEL D'UTILISATION

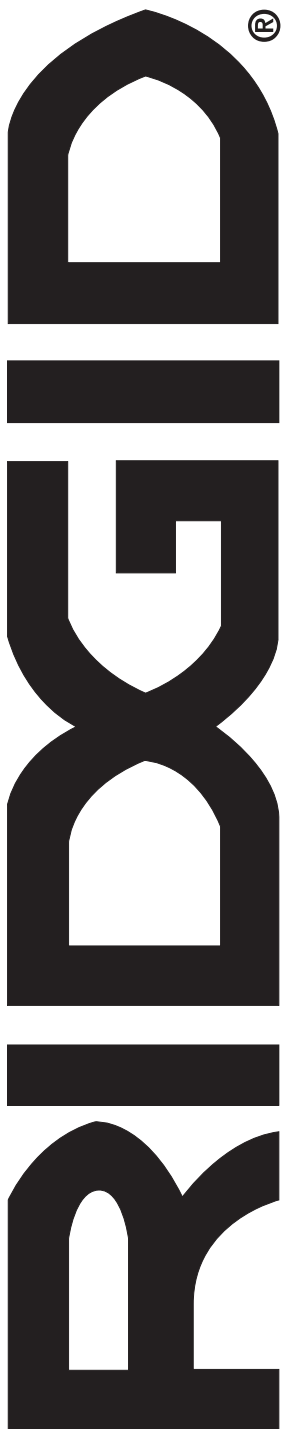
MANUAL DEL OPERADOR

18 V IMPACT DRIVER

CLÉ À CHOCS 18 V

DESTORNILLADOR DE IMPACTO DE 18 V

R86035



Customer Service Information:

For parts or service, do not return this product to the store. Contact your nearest RIDGID® authorized service center. Be sure to provide all relevant information when you call or visit. For the location of the authorized service center nearest you, please call 1-866-539-1710 or visit us online at www.ridgid.com.

The model number of this tool is found on a plate attached to the motor housing. Please record the serial number in the space provided below. When ordering repair parts, always give the following information:

Model No. _____

Serial No. _____

Service après-vente :

Pour acheter des pièces ou pour un dépannage, ne pas retourner ce produit au magasin. Contacter le centre de réparations RIDGID® agréé le plus proche. Veiller à fournir toutes les informations pertinentes lors de tout appel téléphonique ou visite. Pour obtenir l'adresse du centre de réparations agréé le plus proche, téléphoner au 1-866-539-1710 ou visiter notre site www.ridgid.com.

Le numéro de modèle se trouve sur une plaquette fixée au boîtier du moteur. Noter le numéro de série dans l'espace ci-dessous. Lors de toute commande de pièces détachées, fournir les informations suivantes :

No. de modèle _____

No. de série _____

Información sobre servicio al consumidor:

Para piezas de repuesto o servicio, no devuelva este producto a la tienda. Comuníquese con el centro de servicio autorizado de productos RIDGID® de su preferencia. Asegúrese de proporcionar todos los datos pertinentes al llamar o al presentarse personalmente. Para obtener información sobre el centro de servicio autorizado más cercano a usted, le suplicamos llamar al 1-866-539-1710 o visitar nuestro sitio en la red mundial, en la dirección www.ridgid.com.

El número de modelo de este producto se encuentra en una placa adherida al alojamiento del motor. Le suplicamos anotar el número de serie en el espacio suministrado abajo. Al pedir piezas de repuesto siempre proporcione la siguiente información:

Núm. de modelo _____

Núm. de serie _____



OPERATOR'S MANUAL

MANUEL D'UTILISATION / MANUAL DEL OPERADOR

18 VOLT RECIPROCATING SAW VARIABLE SPEED

SCIE ALTERNATIVE 18 V VITESSE VARIABLE

SIERRA ALTERNATIVA DE 18 V DE VELOCIDAD VARIABLE

R8642

To register your RIDGID product, please visit:
<http://register.RIDGID.com>

Pour enregistrer votre produit de RIDGID, s'il vous plaît la visite :
<http://register.RIDGID.com>

Para registrar su producto de RIDGID, por favor visita:
<http://register.RIDGID.com>

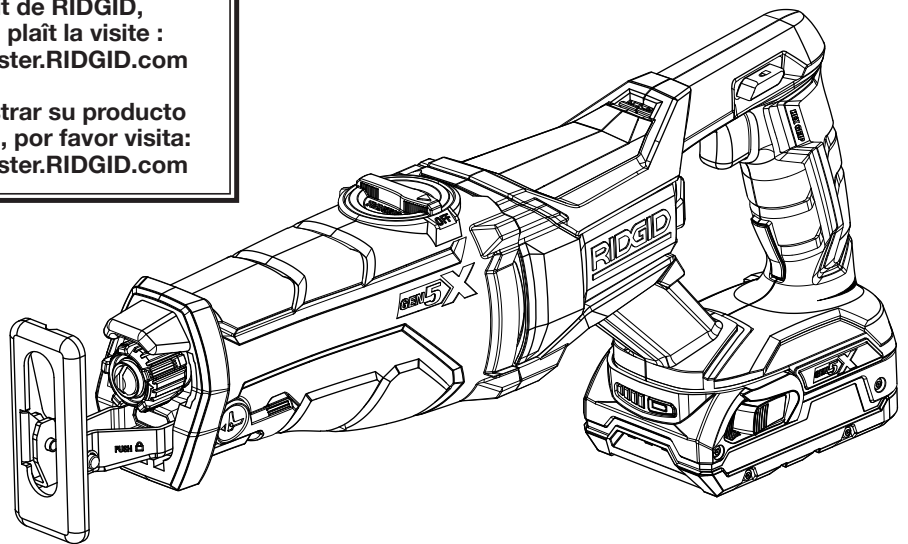


TABLE OF CONTENTS

- General Power Tool Safety Warnings2-3
- Reciprocating Saw Safety Warnings..3
- Symbols.....4
- Features.....5
- Assembly5
- Operation.....6-8
- Maintenance.....9
- Illustrations10
- Parts Ordering and ServiceBack page

TABLE DES MATIÈRES

- Avertissements de sécurité générales relatives aux outils électriques2-3
- Avertissements de sécurité relatifs scie alternative3
- Symboles.....4
- Caractéristiques5
- Assemblage.....5
- Utilisation6-8
- Entretien9
- Illustrations10
- Commande de pièces et dépannagePage arrière

ÍNDICE DE CONTENIDO

- Advertencias de seguridad para herramientas eléctrica 2-3
- Advertencias de seguridad para sierra alternativa3
- Símbolos.....4
- Características5
- Armado5
- Funcionamiento 6-8
- Mantenimiento.....9
- Ilustraciones.....10
- Pedidos de piezas y servicioPág. posterior

⚠ WARNING:

To reduce the risk of injury, the user must read and understand the operator's manual before using this product.

⚠ AVERTISSEMENT :

Pour réduire les risques de blessures, l'utilisateur doit lire et veiller à bien comprendre le manuel d'utilisation avant d'utiliser ce produit.

⚠ ADVERTENCIA:

Para reducir el riesgo de lesiones, el usuario debe leer y comprender el manual del operador antes de usar este producto.

SAVE THIS MANUAL FOR FUTURE REFERENCE

CONSERVER CE MANUEL POUR FUTURE RÉFÉRENCE

GUARDE ESTE MANUAL PARA FUTURAS CONSULTAS

GENERAL POWER TOOL SAFETY WARNINGS

WARNING

Read all safety warnings and all instructions.

Failure to follow the warnings and instructions may result in electric shock, fire and/or serious injury.

Save all warnings and instructions for future reference.

The term “power tool” in the warnings refers to your mains-operated (corded) power tool or battery-operated (cordless) power tool.

WORK AREA SAFETY

- **Keep work area clean and well lit.** Cluttered or dark areas invite accidents.
- **Do not operate power tools in explosive atmospheres, such as in the presence of flammable liquids, gases or dust.** Power tools create sparks which may ignite the dust or fumes.
- **Keep children and bystanders away while operating a power tool.** Distractions can cause you to lose control.

ELECTRICAL SAFETY

- **Power tool plugs must match the outlet. Never modify the plug in any way. Do not use any adapter plugs with earthed (grounded) power tools.** Unmodified plugs and matching outlets will reduce risk of electric shock.
- **Avoid body contact with earthed or grounded surfaces such as pipes, radiators, ranges and refrigerators.** There is an increased risk of electric shock if your body is earthed or grounded.
- **Do not expose power tools to rain or wet conditions.** Water entering a power tool will increase the risk of electric shock.
- **Do not abuse the cord. Never use the cord for carrying, pulling or unplugging the power tool. Keep cord away from heat, oil, sharp edges or moving parts.** Damaged or entangled cords increase the risk of electric shock.
- **When operating a power tool outdoors, use an extension cord suitable for outdoor use.** Use of a cord suitable for outdoor use reduces the risk of electric shock.
- **If operating a power tool in a damp location is unavoidable, use a ground fault circuit interrupter (GFCI) protected supply.** Use of a GFCI reduces the risk of electric shock.
- **Use battery only with charger listed.** For use with 18V nickel-cadmium and 18V lithium-ion battery packs, see tool/appliance/battery pack/charger correlation supplement 988000-302.

PERSONAL SAFETY

- **Stay alert, watch what you are doing and use common sense when operating a power tool. Do not use a power tool while you are tired or under the influence**

of drugs, alcohol or medication. A moment of inattention while operating power tools may result in serious personal injury.

- **Use personal protective equipment. Always wear eye protection.** Protective equipment such as dust mask, non-skid safety shoes, hard hat, or hearing protection used for appropriate conditions will reduce personal injuries.
- **Prevent unintentional starting. Ensure the switch is in the off-position before connecting to power source and/or battery pack, picking up or carrying the tool.** Carrying power tools with your finger on the switch or energising power tools that have the switch on invites accidents.
- **Remove any adjusting key or wrench before turning the power tool on.** A wrench or a key left attached to a rotating part of the power tool may result in personal injury.
- **Do not overreach. Keep proper footing and balance at all times.** This enables better control of the power tool in unexpected situations.
- **Dress properly. Do not wear loose clothing or jewellery. Keep your hair, clothing and gloves away from moving parts.** Loose clothes, jewellery or long hair can be caught in moving parts.
- **If devices are provided for the connection of dust extraction and collection facilities, ensure these are connected and properly used.** Use of dust collection can reduce dust-related hazards.
- **Do not wear loose clothing or jewelry. Contain long hair.** Loose clothes, jewelry, or long hair can be drawn into air vents.
- **Do not use on a ladder or unstable support.** Stable footing on a solid surface enables better control of the power tool in unexpected situations.

POWER TOOL USE AND CARE

- **Do not force the power tool. Use the correct power tool for your application.** The correct power tool will do the job better and safer at the rate for which it was designed.
- **Do not use the power tool if the switch does not turn it on and off.** Any power tool that cannot be controlled with the switch is dangerous and must be repaired.
- **Disconnect the plug from the power source and/or the battery pack from the power tool before making any adjustments, changing accessories, or storing power tools.** Such preventive safety measures reduce the risk of starting the power tool accidentally.
- **Store idle power tools out of the reach of children and do not allow persons unfamiliar with the power tool or these instructions to operate the power tool.** Power tools are dangerous in the hands of untrained users.
- **Maintain power tools. Check for misalignment or binding of moving parts, breakage of parts and any other condition that may affect the power tool's**

GENERAL POWER TOOL SAFETY WARNINGS

operation. If damaged, have the power tool repaired before use. Many accidents are caused by poorly maintained power tools.

- **Keep cutting tools sharp and clean.** Properly maintained cutting tools with sharp cutting edges are less likely to bind and are easier to control.
- **Use the power tool, accessories and tool bits etc. in accordance with these instructions, taking into account the working conditions and the work to be performed.** Use of the power tool for operations different from those intended could result in a hazardous situation.

BATTERY TOOL USE AND CARE

- **Recharge only with the charger specified by the manufacturer.** A charger that is suitable for one type of battery pack may create a risk of fire when used with another battery pack.
- **Use power tools only with specifically designated battery packs.** Use of any other battery packs may create a risk of injury and fire.

- **When battery pack is not in use, keep it away from other metal objects, like paper clips, coins, keys, nails, screws or other small metal objects, that can make a connection from one terminal to another.** Shorting the battery terminals together may cause burns or a fire.
- **Under abusive conditions, liquid may be ejected from the battery; avoid contact. If contact accidentally occurs, flush with water. If liquid contacts eyes, additionally seek medical help.** Liquid ejected from the battery may cause irritation or burns.

SERVICE

- **Have your power tool serviced by a qualified repair person using only identical replacement parts.** This will ensure that the safety of the power tool is maintained.
- **When servicing a power tool, use only identical replacement parts. Follow instructions in the Maintenance section of this manual.** Use of unauthorized parts or failure to follow Maintenance instructions may create a risk of shock or injury.




RECIPROCATING SAW SAFETY WARNINGS

- **Hold power tool by insulated gripping surfaces, when performing an operation where the cutting accessory may contact hidden wiring.** Cutting accessory contacting a “live” wire may make exposed metal parts of the power tool “live” and could give the operator an electric shock.
- **Use clamps or another practical way to secure and support the workpiece to a stable platform.** Holding the work by hand or against your body leaves it unstable and may lead to loss of control.
- **Know your power tool. Read operator’s manual carefully. Learn its applications and limitations, as well as the specific potential hazards related to this tool.** Following this rule will reduce the risk of electric shock, fire, or serious injury.
- **Always wear eye protection with side shields marked to comply with ANSI Z87.1.** Following this rule will reduce the risk of serious personal injury.
- **Protect your lungs. Wear a face or dust mask if the operation is dusty.** Following this rule will reduce the risk of serious personal injury.
- **Protect your hearing. Wear hearing protection during extended periods of operation.** Following this rule will reduce the risk of serious personal injury.
- **Battery tools do not have to be plugged into an electrical outlet; therefore, they are always in operating condition. Be aware of possible hazards when not using your battery tool or when changing accessories.** Following this rule will reduce the risk of electric shock, fire, or serious personal injury.







- **Do not place battery tools or their batteries near fire or heat.** This will reduce the risk of explosion and possibly injury.
- **Never use a battery that has been dropped or received a sharp blow.** A damaged battery is subject to explosion. Properly dispose of a dropped or damaged battery immediately.
- **Batteries can explode in the presence of a source of ignition, such as a pilot light.** To reduce the risk of serious personal injury, never use any cordless product in the presence of open flame. An exploded battery can propel debris and chemicals. If exposed, flush with water immediately.
- **Do not charge battery tool in a damp or wet location.** Following this rule will reduce the risk of electric shock.
- **For best results, your battery tool should be charged in a location where the temperature is more than 50°F but less than 100°F.** To reduce the risk of serious personal injury, do not store outside or in vehicles.
- **Under extreme usage or temperature conditions, battery leakage may occur. If liquid comes in contact with your skin, wash immediately with soap and water. If liquid gets into your eyes, flush them with clean water for at least 10 minutes, then seek immediate medical attention.** Following this rule will reduce the risk of serious personal injury.
- **Save these instructions.** Refer to them frequently and use them to instruct others who may use this tool. If you loan someone this tool, loan them these instructions also.

SYMBOLS

The following signal words and meanings are intended to explain the levels of risk associated with this product.

SYMBOL	SIGNAL	MEANING
	DANGER:	Indicates an imminently hazardous situation, which, if not avoided, will result in death or serious injury.
	WARNING:	Indicates a potentially hazardous situation, which, if not avoided, could result in death or serious injury.
	CAUTION:	Indicates a potentially hazardous situation, which, if not avoided, may result in minor or moderate injury.
	NOTICE:	(Without Safety Alert Symbol) Indicates important information not related to an injury hazard, such as a situation that may result in property damage.

Some of the following symbols may be used on this product. Please study them and learn their meaning. Proper interpretation of these symbols will allow you to operate the product better and safer.

SYMBOL	NAME	DESIGNATION/EXPLANATION
	Safety Alert	Indicates a potential personal injury hazard.
	Read Operator's Manual	To reduce the risk of injury, user must read and understand operator's manual before using this product.
	Eye Protection	Always wear eye protection with side shields marked to comply with ANSI Z87.1.
	Wet Conditions Alert	Do not expose to rain or use in damp locations.
	No Hands Symbol	Failure to keep your hands away from the blade will result in serious personal injury.
	Recycle Symbols	This product uses nickel-cadmium (Ni-Cd) and lithium-ion (Li-ion) batteries. Local, state or federal laws may prohibit disposal of batteries in ordinary trash. Consult your local waste authority for information regarding available recycling and/or disposal options.
V	Volts	Voltage
min	Minutes	Time
==	Direct Current	Type or a characteristic of current
n ₀	No Load Speed	Rotational speed, at no load
.../min	Per Minute	Revolutions, strokes, surface speed, orbits etc., per minute

FEATURES

PRODUCT SPECIFICATIONS

Stroke Length 1-1/8 in.
No Load Speed0-3,000 s/min (SPM)

ASSEMBLY

WARNING:

Do not use this product if it is not completely assembled or if any parts appear to be missing or damaged. Use of a product that is not properly and completely assembled or with damaged or missing parts could result in serious personal injury.

WARNING:

Do not attempt to modify this product or create accessories not recommended for use with this product. Any such alteration or modification is misuse and could result in a hazardous condition leading to possible serious personal injury.

If any parts are damaged or missing, please call 1-866-539-1710 for assistance.

CALIFORNIA PROPOSITION 65

WARNING:

This product and some dust created by power sanding, sawing, grinding, drilling, and other construction activities may contain chemicals, including lead, known to the State of California to cause cancer, birth defects, or other reproductive harm. ***Wash hands after handling.***

Some examples of these chemicals are:

- lead from lead-based paints,
- crystalline silica from bricks and cement and other masonry products and,
- arsenic and chromium from chemically treated lumber.

Your risk from exposure to these chemicals varies, depending on how often you do this type of work. To reduce your exposure, work in a well-ventilated area and with approved safety equipment, such as dust masks that are specially designed to filter out microscopic particles.

OPERATION

WARNING:

Do not allow familiarity with products to make you careless. Remember that a careless fraction of a second is sufficient to inflict severe injury.

WARNING:

Always remove battery pack from your tool when you are assembling parts, making adjustments, cleaning, or when not in use. Removing battery pack will prevent accidental starting that could cause serious personal injury.

WARNING:

Always wear eye protection with side shields marked to comply with ANSI Z87.1. Failure to do so could result in objects being thrown into your eyes resulting in possible serious injury.

WARNING:

Do not use any attachments or accessories not recommended by the manufacturer of this product. The use of attachments or accessories not recommended can result in serious personal injury.

APPLICATIONS

You may use this product for the purposes listed below:

- Cutting all types of wood products (lumber, plywood, paneling, composition board, and hard wood)
 - Cutting masonite and plastic
 - Cutting drywall
 - Cutting metals such as sheet steel, pipe, steel rods, aluminum, brass, and copper
-

WARNING:

Battery tools are always in operating condition. Lock the switch when not in use or carrying at your side, when installing or removing the battery pack, and when installing or removing the blade.

INSTALLING/REMOVING BATTERY PACK

See Figures 1 - 2, page 10.

To install:

- Lock the switch trigger by sliding the lock-off button into the lock position.
- Place battery pack in the saw. Align raised rib on battery pack with the groove inside the saw.
- Make sure the latches on each side of the battery pack snap in place and battery pack is secured in the tool before beginning operation.

To remove:

- Lock the switch trigger by sliding the lock-off button into the lock position.
- Locate latches on side of battery pack and depress to release battery pack from the saw.
- The battery pack will disconnect in the direction to be removed.

For complete charging instructions, see the operator's manual for your battery pack and charger.

SELECTING BLADES

Selecting the correct type of blade is important in order to obtain the best performance from the saw. Select the blade based on the application and on the material you wish to cut. Selecting the right blade will give you a smoother, faster cut and prolong the life of the blade.

Blades with fewer teeth, 10 teeth per inch (TPI) are typically used for cutting wood, while blades with more teeth are better for cutting metal or plastic. We recommend 14 TPI for plastics and soft metals and 18 TPI for hard metals.

INSTALLING/REMOVING BLADE

See Figure 3, page 10.

- Remove the battery pack from the tool.
- Rotate the blade clamp counterclockwise and hold to open.
- Insert saw blade until it is fully seated.
NOTE: Blade can be installed with teeth facing either up or down.
- Release the blade clamp to secure.
- To remove the blade, rotate the blade clamp counterclockwise.

OPERATION

CHANGING POSITIONS OF THE SHOE ASSEMBLY

See Figures 4 - 5, page 10.

The length of the shoe is adjustable, and the pivot angle of the shoe can be set to one of three positions.

To change length of the shoe assembly:

- Remove the battery pack from the saw.
- Unlock the shoe release lever by pulling it downward.
- Reposition the shoe assembly.
- Lock the shoe release lever by pushing it toward the saw.
- The shoe assembly will not lock into place if it is extended too far. Make sure the shoe assembly is securely locked before replacing the battery pack.

To change the pivot angle of the shoe assembly:

- Remove the battery pack from the saw.
- Push the locking pin all the way to the right to loosen the shoe.
- Select the position you wish to use.
- Push the locking pin all the way to the left until it clicks back into locked position.
- Make sure the shoe is securely locked before reinstalling the battery pack.

TURNING THE SAW ON/OFF

See Figure 6, page 11.

- **To turn the saw on:** Slide lock-off button to the unlock position, and press the switch trigger.
- **To turn the saw off:** Release the switch trigger.

CAUTION:

Lock-off button should be in the lock position when saw is not in use or is being transported.

VARIABLE SPEED

The variable speed switch trigger delivers higher speed with increased trigger pressure and lower speed with decreased trigger pressure.

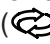
LED GRIP LIGHT

See Figure 7, page 11.

The LED light, located below the blade clamp, illuminates when either the switch trigger or grip light switch is depressed. The light turns off when both switches are released.

ORBITAL ACTION SELECTOR

See Figure 8, page 11.

Use the orbital action selector to select either a linear stroke or orbital cutting () action. A linear stroke is best for making smooth cuts while orbital action is best for making a faster cut.

- For linear cutting, turn the selector to the “OFF” position.
- For orbital cutting action, turn the selector to the “ON” position.

NOTE: To prevent damage to the tool, always allow motor to come to a complete stop before using the orbital action selector.

NOTE: Do not use the orbital action setting when using a metal cutting blade.

OPERATING THE SAW

See Figure 9, page 11.

- Secure the workpiece to a work bench or table with a vise or with clamps.
- Mark the line of cut clearly.
- Make sure the saw blade teeth are clean of any debris or foreign material.
- Hold the saw firmly in front of and clearly away from you.
- Slide the lock-off button to the unlock position and depress the switch trigger to start the cutting action.
- Set the shoe assembly against the workpiece.
- Move the blade into the workpiece.

NOTE: Do not force. Use only enough pressure to keep the saw cutting. Let the blade and saw do the work. Keep pressure on the shoe, against the workpiece.

OPERATION

PLUNGE CUTTING WOOD OR WALL BOARD

See Figure 10, page 11.

- Secure the workpiece to a work bench or table with a vise or with clamps.
- Mark the line of cut clearly.
- Make sure the saw blade teeth are clean of any debris or foreign material.
- Hold the saw firmly in front of and clearly away from you.
- Choose a convenient starting point inside the cutting area and place the tip of the blade over that point.
- Rest the front edge of the shoe assembly on the workpiece and hold it firmly in position during the cut.
- Slide the lock-off button to the unlock position and depress the switch trigger. Allow the saw blade to reach full cutting speed.

WARNING:

Make sure the blade does not touch the workpiece until the motor reaches full speed. Failure to heed this warning can cause you to lose control of the saw and result in serious injury.

-
- Tilt the saw downward until the tip of the blade starts cutting the workpiece.
 - Allow the saw to penetrate the workpiece.
 - Tilt the saw until the blade is perpendicular to the workpiece.

WARNING:

Blades longer than 6 in. can whip and should not be used for plunge cutting. Failure to heed this warning can result in serious personal injury.

WARNING:

Cutting into electrical wiring can cause the blade, the blade clamp, and the saw bar assembly to become electrically live. Do not touch metal parts when cutting into a wall; grasp only the insulated surfaces on the tool. Make sure hidden electrical wiring, water pipes, and mechanical hazards are not in the blade path when cutting into a wall.

METAL CUTTING

See Figure 11, page 11.

You may cut metals such as sheet steel, pipe, steel rods, aluminum, brass, and copper with the saw.

Observe the following tips when metal cutting:

- Be careful not to twist or bend the saw blade.
- Place the orbital action selector in the linear stroke position (OFF).
- **Do not** force the tool and use a slow speed.
- Use cutting oil when cutting soft metals and steel. Cutting oil also keeps the blades cool, increases cutting action, and prolongs blade life.
- **Never** use gasoline since normal sparking of motor could ignite fumes.
- Clamp the workpiece firmly and cut close to the clamping point to eliminate any vibration of the work. When cutting conduit pipe or angle iron, clamp the workpiece in a vise if possible and cut close to the vise. To cut thin sheet material, “sandwich” the material between hardboard or plywood and clamp the layers to eliminate vibration and material tearing.
- Always keep firm pressure on the shoe assembly to hold it securely against the workpiece.

MAINTENANCE

 **WARNING:**

When servicing use only identical replacement parts. Use of any other parts can create a hazard or cause product damage.

 **WARNING:**

Always wear eye protection with side shields marked to comply with ANSI Z87.1. Failure to do so could result in objects being thrown into your eyes resulting in possible serious injury.

 **WARNING:**

To avoid serious personal injury, always remove the battery pack from the tool when cleaning or performing any maintenance.

GENERAL MAINTENANCE

Avoid using solvents when cleaning plastic parts. Most plastics are susceptible to damage from various types of commercial solvents and may be damaged by their use. Use clean cloths to remove dirt, dust, oil, grease, etc.

 **WARNING:**

Do not at any time let brake fluids, gasoline, petroleum-based products, penetrating oils, etc., come in contact with plastic parts. Chemicals can damage, weaken or destroy plastic which can result in serious personal injury.

**NOTE: ILLUSTRATIONS START ON PAGE 10
AFTER FRENCH AND SPANISH LANGUAGE SECTIONS.**

This product has a 90-day Satisfaction Guarantee Policy, as well as a Three-Year Limited Warranty. For Warranty and Policy details, please go to www.RIDGID.com or call (toll free) 1-866-539-1710.

RÈGLES DE SÉCURITÉ RELATIVES AUX OUTILS ÉLECTRIQUES

AVERTISSEMENT :

Lire tous les avertissements et toutes les instructions. Ne pas suivre l'ensemble des avertissements et des instructions peut entraîner une électrocution, un incendie ou des blessures graves.

Conserver les avertissements et les instructions à des fins de référence ultérieure. Le terme « outil motorisé », utilisé dans tous les avertissements ci-dessous désigne tout outil fonctionnant sur secteur (câblé) ou sur piles (sans fil).

SÉCURITÉ DU LIEU DE TRAVAIL

- **Garder le lieu de travail propre et bien éclairé.** Les endroits encombrés ou sombres sont propices aux accidents.
- **Ne pas utiliser d'outils électriques dans des atmosphères explosives, par exemple en présence de liquides, gaz ou poussières inflammables.** Les outils électriques produisent des étincelles risquant d'enflammer les poussières ou vapeurs.
- **Garder les enfants et badauds à l'écart pendant l'utilisation d'un outil électrique.** Les distractions peuvent causer une perte de contrôle.

SÉCURITÉ ÉLECTRIQUE

- **Les fiches des outils électriques doivent correspondre à la prise secteur utilisée. Ne jamais modifier la fiche, de quelque façon que ce soit. Ne jamais utiliser d'adaptateurs de fiche avec des outils mis à la terre.** Les fiches et prises non modifiées réduisent le risque de choc électrique.
- **Éviter tout contact du corps avec des surfaces mises à la terre, telles que tuyaux, radiateurs, cuisinières et réfrigérateurs.** Le risque de choc électrique est accru lorsque le corps est mis à la terre.
- **Ne pas exposer les outils électriques à l'eau ou l'humidité.** La pénétration d'eau dans ces outils accroît le risque de choc électrique.
- **Ne pas maltraiter le cordon d'alimentation. Ne jamais utiliser le cordon d'alimentation pour transporter l'outil et ne jamais débrancher ce dernier en tirant sur le cordon. Garder le cordon à l'écart de la chaleur, de l'huile, des objets tranchants et des pièces en mouvement.** Un cordon endommagé ou emmêlé accroît le risque de choc électrique.
- **Pour les travaux à l'extérieur, utiliser un cordon spécialement conçu à cet effet.** Utiliser un cordon conçu pour l'usage extérieur pour réduire les risques de choc électrique.
- **S'il est nécessaire d'utiliser l'outil électrique dans un endroit humide, employer un dispositif interrupteur de défaut à la terre (GFCI).** L'utilisation d'un GFCI réduit le risque de décharge électrique.
- **Ne recharger les piles qu'avec l'appareil indiqué.** Pour utiliser l'appareil avec des piles au nickel-cadmium et au lithium-ion de 18 V, consulter le supplément de raccordement pour chargeur/outils/piles/appareil n° 988000-302.

SÉCURITÉ PERSONNELLE

- **Rester attentif, prêter attention au travail et faire preuve de bon sens lors de l'utilisation de tout outil électrique. Ne pas utiliser cet outil en état de fatigue ou sous l'influence de l'alcool, de drogues ou de médicaments.** Un moment

d'inattention pendant l'utilisation d'un outil électrique peut entraîner des blessures graves.

- **Utiliser l'équipement de sécurité. Toujours porter une protection oculaire.** L'équipement de sécurité, tel qu'un masque filtrant, de chaussures de sécurité, d'un casque ou d'une protection auditive, utilisé dans des conditions appropriées réduira le risque de blessures.
- **Éviter les démarrages accidentels. S'assurer que le commutateur est en position d'arrêt avant de brancher l'outil.** Porter un outil avec le doigt sur son commutateur ou brancher un outil dont le commutateur est en position de marche peut causer un accident.
- **Retirer les clés de réglage avant de mettre l'outil en marche.** Une clé laissée sur une pièce rotative de l'outil peut causer des blessures.
- **Ne pas travailler hors de portée. Toujours se tenir bien campé et en équilibre.** Ceci permettra de mieux contrôler l'outil en cas de situation imprévue.
- **Porter une tenue appropriée. Ne porter ni vêtements amples, ni bijoux. Garder les cheveux, les vêtements et les gants à l'écart des pièces en mouvement.** Les vêtements amples, bijoux et cheveux longs peuvent se prendre dans les pièces en mouvement.
- **Si les outils sont équipés de dispositifs de dépoussiérage, s'assurer qu'ils sont connectés et correctement utilisés.** L'usage de ces dispositifs de dépoussiérage peut réduire les dangers présentés par la poussière.
- **Ne porter ni vêtements amples, ni bijoux. Attacher ou couvrir les cheveux longs.** Les vêtements amples, bijoux et cheveux longs peuvent se prendre dans les ouïes d'aération.
- **Ne pas utiliser l'outil sur une échelle ou un support instable.** Une bonne tenue et un bon équilibre permettent de mieux contrôler l'outil en cas de situation imprévue.

UTILISATION ET ENTRETIEN DES OUTILS ÉLECTRIQUES

- **Ne pas forcer l'outil. Utiliser l'outil approprié pour l'application.** Un outil approprié exécutera le travail mieux et de façon moins dangereuse s'il est utilisé dans les limites prévues.
- **Ne pas utiliser l'outil si le commutateur ne permet pas de le mettre en marche ou de l'arrêter.** Tout outil qui ne peut pas être contrôlé par son commutateur est dangereux et doit être réparé.
- **Débrancher l'outil et/ou retirer le bloc-piles avant d'effectuer des réglages, de changer d'accessoire ou de remiser l'outil.** Ces mesures de sécurité préventives réduisent les risques de démarrage accidentel de l'outil.
- **Ranger les outils motorisés hors de la portée des enfants et ne laisser personne n'étant pas familiarisé avec l'outil ou ces instructions utiliser l'outil.** Dans les mains de personnes n'ayant pas reçu des instructions adéquates, les outils sont dangereux.
- **Entretien des outils motorisés. Vérifier qu'aucune pièce mobile n'est mal alignée ou bloquée, qu'aucune pièce n'est brisée et s'assurer qu'aucun autre problème ne risque d'affecter le bon fonctionnement de l'outil. En cas de dommages faire réparer l'outil avant de l'utiliser de nouveau.** Beaucoup d'accidents sont causés par des outils mal entretenus.

RÈGLES DE SÉCURITÉ RELATIVES AUX OUTILS ÉLECTRIQUES

- **Garder les outils bien affûtés et propres.** Des outils correctement entretenus et dont les tranchants sont bien affûtés risquent moins de se bloquer et sont plus faciles à contrôler.
- **Utiliser l'outil, les accessoires et embouts, etc. conformément à ces instructions pour les applications pour lesquelles ils sont conçus, en tenant compte des conditions et du type de travail à exécuter.** L'usage d'un outil motorisé pour des applications pour lesquelles il n'est pas conçu peut être dangereux.

UTILISATION ET ENTRETIEN DE LA PILE

- **Ne recharger qu'avec l'appareil spécifié par le fabricant.** Un chargeur approprié pour un type de pile peut créer un risque d'incendie s'il est utilisé avec un autre type de pile.
- **Utiliser exclusivement le bloc-pile spécifiquement indiqué pour l'outil.** L'usage de tout autre bloc peut créer un risque de blessures et d'incendie.
- **Lorsque le bloc-piles n'est pas en usage, le garder à l'écart d'articles tels qu'attaches trombones, pièces de monnaie, clous, vis ou autres petits objets métalliques**

risquant d'établir le contact entre les deux bornes. La mise en court-circuit des bornes de piles peut causer des étincelles, des brûlures ou un incendie.

- **En cas d'usage abusif, du liquide peut s'échapper des piles. Éviter tout contact avec ce liquide. En cas de contact accidentel, rincer immédiatement les parties atteintes avec de l'eau. En cas d'éclaboussure dans les yeux consulter un médecin.** Le liquide s'échappant des piles peut causer des irritations ou des brûlures.

DÉPANNAGE

- **Les réparations doivent être confiées à un technicien qualifié, utilisant exclusivement des pièces identiques à celles d'origine.** Ceci assurera le maintien de la sécurité de l'outil.
- **Utiliser exclusivement des pièces identiques à celles d'origine pour les réparations. Se conformer aux instructions de la section Entretien de ce manuel.** L'usage de pièces non autorisées ou le non-respect des instructions peut présenter des risques de choc électrique ou de blessures.




AVERTISSEMENTS DE SÉCURITÉ RELATIFS SCIE ALTERNATIVE

- **Tenir l'outil par ses surfaces de préhension isolées lors des opérations pendant lesquelles l'accessoire de coupe peut entrer en contact avec du câblage caché.** Le contact d'un accessoire de coupe avec un fil sous tension « électrifié » les pièces métalliques exposées de l'outil et peut électrocuter l'utilisateur.
- **Dans la mesure du possible, utiliser des serre-joint pour maintenir la pièce sur une surface stable.** Une pièce tenue à la main ou contre son corps le rend instable et peut causer une perte de contrôle.
- **Apprendre à connaître l'outil. Lire attentivement le manuel d'utilisation. Apprendre les applications et les limites de l'outil, ainsi que les risques spécifiques relatifs à son utilisation.** Le respect de cette consigne réduira les risques d'incendie, de choc électrique et de blessures graves.
- **Toujours porter une protection oculaire certifiée conforme à la norme ANSI Z87.1.** Le respect de cette règle réduira les risques de blessures graves.
- **Protection respiratoire. Porter un masque facial ou un masque antipoussière si le travail produit de la poussière.** Le respect de cette consigne réduira les risques de blessures graves.
- **Protection auditive. Porter une protection auditive lors de l'utilisation prolongée.** Le respect de cette règle réduira les risques de blessures graves.
- **Les outils fonctionnant sur piles n'ayant pas besoin d'être branchés sur une prise secteur, ils sont toujours en état de fonctionnement. Tenir compte des dangers possibles lorsque l'outil n'est pas en usage et lors du remplacement des piles.** Le respect de cette consigne réduira les risques d'incendie, de choc électrique et de blessures graves.
- **Ne pas placer les outils électriques sans fil ou leurs piles à proximité de flammes ou d'une source de chaleur.** Ceci réduira les risques d'explosion et de blessures.







- **Ne pas écraser, faire tomber ou endommager le bloc-piles. Ne jamais utiliser un bloc-piles ou un chargeur qui est tombé, a été écrasé, a reçu un choc violent ou a été endommagé de quelque façon que ce soit.** Une pile endommagée risque d'exploser. Éliminer immédiatement toute pile endommagée, selon une méthode appropriée.
- **Les piles peuvent exploser en présence d'une source d'allumage, telle qu'une veilleuse.** Pour réduire les risques de blessures graves, ne jamais utiliser un appareil sans fil, quel qu'il soit, en présence d'une flamme vive. En explosant, une pile peut projeter des débris et des produits chimiques. En cas d'exposition, rincer immédiatement les parties atteintes avec de l'eau.
- **Ne pas recharger un outil fonctionnant sur piles dans un endroit humide ou mouillé.** Le respect de cette règle réduira les risques de choc électrique.
- **Pour un résultat optimal, les piles de l'outil doivent être rechargées dans un local où la température est de 10 à 38 °C (50 à 100 °F). Ne pas ranger l'outil à l'extérieur ou dans un véhicule.**
- **Si l'outil est utilisé de façon intensive ou sous des températures extrêmes, des fuites de pile peuvent se produire. En cas de contact du liquide avec la peau, rincer immédiatement la partie atteinte avec de l'eau. En cas d'éclaboussure dans les yeux, les rincer à l'eau fraîche pendant au moins 10 minutes, puis contacter immédiatement un médecin.** Le respect de cette règle réduira les risques de blessures graves.
- **Conserver ces instructions.** Les consulter fréquemment et les utiliser pour instruire les autres utilisateurs éventuels. Si cet outil est prêté, il doit être accompagné de ces instructions.

SYMBOLES

Les termes de mise en garde suivants et leur signification ont pour but d'expliquer le degré de risques associé à l'utilisation de ce produit.

SYMBOLE	SIGNAL	SIGNIFICATION
	DANGER :	Indique une situation extrêmement dangereuse qui, si elle n'est pas évitée, aura pour conséquences des blessures graves ou mortelles.
	AVERTISSEMENT :	Indique une situation potentiellement dangereuse qui, si elle n'est pas évitée, pourrait entraîner des blessures graves ou mortelles.
	ATTENTION :	Indique une situation potentiellement dangereuse qui, si elle n'est pas évitée, pourrait entraîner des blessures légères ou de gravité modérée.
	AVIS :	(Sans symbole d'alerte de sécurité) Indique une information importante ne concernant pas un risque de blessure comme une situation pouvant occasionner des dommages matériels.

Certains des symboles ci-dessous peuvent être utilisés sur produit. Veiller à les étudier et à apprendre leur signification. Une interprétation correcte de ces symboles permettra d'utiliser produit plus efficacement et de réduire les risques.

SYMBOLE	NOM	DÉSIGNATION / EXPLICATION
	Symbole d'alerte de sécurité	Indique un risque de blessure potentiel.
	Lire le manuel d'utilisation	Pour réduire les risques de blessures, l'utilisateur doit lire et veiller à bien comprendre le manuel d'utilisation avant d'utiliser ce produit.
	Protection oculaire	Toujours porter une protection oculaire avec écrans latéraux certifiée conforme à la norme ANSI Z87.1.
	Avertissement concernant l'humidité	Ne pas exposer à la pluie ou l'humidité.
	Symbole Mains à l'écart	Le non-respect de cette mise en garde peut entraîner des blessures graves.
	Symboles de recyclage	Ce produit utilise les piles de nickel-cadmium (Ni-Cd) ou lithium-ion (Li-ion). Les réglementations locales ou gouvernementales peuvent interdire de jeter les piles dans les ordures ménagères. Consulter les autorités locales compétentes pour les options de recyclage et/ou l'élimination.
V	Volts	Tension
min	Minutes	Temps
==	Courant continu	Type ou caractéristique du courant
n_0	Vitesse à vide	Vitesse de rotation à vide
.../min	Par minute	Tours, coups, vitesse périphérique, orbites, etc., par minute

CARACTÉRISTIQUES

FICHE TECHNIQUE

Course28,6 mm (1-1/8 po)
Vitesse à vide0-3 000 s/min (SPM)

ASSEMBLAGE

AVERTISSEMENT :

Ne pas utiliser le produit s'il n'est pas complètement assemblé ou si des pièces semblent manquantes ou endommagées. L'utilisation d'un produit dont l'assemblage est incorrect ou incomplet ou comportant des pièces endommagées ou absentes représente un risque de blessures graves.

AVERTISSEMENT :

Ne pas essayer de modifier cet outil ou de créer des accessoires non recommandés. De telles altérations ou modifications sont considérées comme un usage abusif et peuvent créer des conditions dangereuses, risquant d'entraîner des blessures graves.

Si des pièces manquent ou sont endommagées, veuillez appeler au 1-866-539-1710 pour obtenir de l'aide.

PROPOSITION 65 DE LA CALIFORNIE

AVERTISSEMENT :

Ce produit et la poussière dégagée lors du ponçage, sciage, meulage, perçage de certains matériaux et lors d'autres opérations de construction contient des produits chimiques reconnus causer le cancer, des malformations congénitales ou des lésions de l'appareil reproducteur. ***Bien se laver les mains après toute manipulation.***

Voici certains exemples de ces produits chimiques :

- le plomb contenu dans la peinture au plomb,
- la silice cristalline contenue dans les briques, le béton et d'autres produits de maçonnerie, ainsi que
- l'arsenic et le chrome contenus dans le bois de construction traité par produits chimiques.

Le risque présenté par l'exposition à ces produits varie en fonction de la fréquence de ce type de travail. Pour réduire l'exposition ; travailler dans un endroit bien aéré et utiliser des équipements de sécurité approuvés tels que masques antipoussière spécialement conçus pour filtrer les particules microscopiques.

UTILISATION

AVERTISSEMENT :

Ne pas laisser la familiarité avec l'produit faire oublier la prudence. Ne pas oublier qu'une fraction de seconde d'inattention peut entraîner des blessures graves.

AVERTISSEMENT :

Toujours retirer la pile de l'outil au moment d'assembler des pièces, d'effectuer des réglages et de procéder au nettoyage, ou lorsque l'outil n'est pas utilisé. Le fait de retirer la pile permet d'empêcher un démarrage accidentel pouvant entraîner des blessures graves.

AVERTISSEMENT :

Toujours porter une protection oculaire certifiée conforme à la norme ANSI Z87.1. Si cette précaution n'est pas prise, des objets peuvent être projetés dans les yeux et causer des lésions graves.

AVERTISSEMENT :

Ne pas utiliser d'produits ou accessoires non recommandés par le fabricant pour cet produit. L'utilisation de pièces et accessoires non recommandés peut entraîner des blessures graves.

APPLICATIONS

Ce produit peut être utilisé pour les applications ci-dessous :

- Coupe toutes sortes de produits du bois (bois d'oeuvre, contreplaqué, lambris, aggloméré et bois dur).
 - Coupe les panneaux durs et le plastique.
 - Coupe les cloisons sèches.
 - Coupe les métaux comme la tôle d'acier, la tuyauterie, les tiges d'acier, l'aluminium, le laiton et le cuivre.
-

AVERTISSEMENT :

Les outils à piles sont toujours en état de fonctionnement. Verrouiller la gâchette lorsque l'outil n'est pas utilisé ou pour le transporter le long du corps, pour insérer ou retirer le bloc-piles et lors de l'installation ou du retrait des forets.

INSTALLATION/RETRAIT DU BLOC DE PILES

Voir les figures 1 et 2, page 10.

Pour installer :

- Verrouiller la gâchette de la scie en glissant le bouton de verrouillage vers la position « lock » (verrouillage).
- Insérer le bloc de piles dans la scie. Aligner la nervure du bloc de piles sur la rainure intérieure de la scie.
- S'assurer que ses deux loquets latéraux s'engagent correctement et vérifier que le bloc de piles est bien fixé à la scie avant d'utiliser la scie.

Pour retirer :

- Verrouiller la gâchette de la scie en glissant le bouton de verrouillage vers la position « lock » (verrouillage).
- Appuyer sur les deux loquets se trouvant sur les côtés du bloc de piles pour le séparer de la scie.
- Lorsque les boutons sont pressés, le bloc de piles est libéré, dans le sens dans lequel il doit être retiré.

Consulter les manuels d'utilisation du bloc-piles et du chargeur pour connaître toutes les instructions de charge.

CHOIX DE LA LAME

Le choix d'une lame de type correct est essentiel pour obtenir les meilleurs résultats possibles avec la scie. La lame doit être choisie en fonction de l'application et du matériau à couper. Le choix d'une lame appropriée la coupe assure une coupe plus nette, plus rapide et prolonge la vie utile de la lame.

Les lames présentant un nombre réduit de dents (10 par pouce) sont généralement utilisées pour la coupe du bois, alors que celle présentant un plus grand nombre de dents sont préférables pour la coupe du métal ou du plastique. Nous recommandons l'usage de lames à 14 dents par pouce pour les plastiques et métaux tendres et à 18 dents par pouce pour les métaux durs.

INSTALLATION/RETRAIT LAME

Voir la figure 3, page 10.

- Retirer le bloc de piles.
- Tourner le porte-lame dans le sens antihoraire et le maintenir en place afin de l'ouvrir.
- Insérer la lame de la scie jusqu'à ce qu'elle soit bien en place.

NOTE : La lame peut être installée avec les dents orientées vers le haut ou vers le bas.

- Relâcher le porte-lame afin de bien le fixer.
- Pour retirer la lame, tourner le porte-lame dans le sens antihoraire.

UTILISATION

CHANGER LA POSITION DE L'ENSEMBLE SABOT

Voir les figures 4 et 5, page 10.

La longueur du sabot est réglable, et son pivot peut être fixé à trois angles différents.

Pour changer la longueur de l'ensemble sabot :

- Retirer le bloc-piles de la scie.
- Déverrouiller le levier de blocage du sabot en le tirant vers le bas.
- Replacer l'ensemble sabot.
- Verrouiller le levier de blocage du sabot en le poussant vers la scie.
- L'ensemble sabot ne pourra être verrouillé en place s'il est trop allongé. S'assurer que l'ensemble sabot est bloqué solidement avant de replacer le bloc-piles.

Pour changer l'angle de pivot de l'ensemble sabot :

- Retirer le bloc-piles de la scie.
- Pousser la goupille de verrouillage vers la droite pour desserrer le sabot.
- Choisir la position d'utilisation désirée.
- Pousser la goupille de verrouillage vers la gauche jusqu'à ce qu'elle s'enclenche en position « verrouillée ».
- S'assurer que le sabot est bloqué solidement avant de réinstaller le bloc-piles.

MISE EN MARCHÉ / ARRÊT DE LA SCIE

Voir la figure 6, page 11.

- **Pour mettre la scie en marche :** Glisser le bouton de verrouillage vers la position déverrouillage et appuyer sur la gâchette.
- **Pour arrêter la scie :** Relâcher la gâchette.

ATTENTION :

Le bouton de verrouillage doit être en position verrouillée lorsque la scie n'est pas utilisée ou est transportée.

VITESSE VARIABLE

Cet outil est doté d'une gâchette de commande de vitesse sensible à la pression. La vitesse est contrôlée par la pression exercée sur la gâchette.

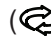
LAMPE DÉL DE LA POINGÉE

Voir la figure 7, page 11.

La lampe DÉL, située au-dessous du serre-lame, s'allume lorsque l'interrupteur de la lampe de poignée ou la gâchette sont enfoncés. La lumière s'éteint lorsque les deux interrupteurs sont libérés.

SÉLECTEUR DE MOUVEMENT ORBITAL

Voir la figure 8, page 11.

Utiliser le sélecteur pour un mouvement de coupe linéaire ou orbital (). Un mouvement linéaire permet des coupes plus lisses tandis qu'un mouvement orbital convient mieux à des coupes rapides.

- Pour une coupe linéaire, tourner le sélecteur à la position « OFF » (Arrêt).
- Pour un mouvement orbital, tourner le sélecteur à la position « ON » (Marche).

NOTE : Pour éviter d'endommager l'outil, s'assurer que le moteur est complètement arrêté avant d'utiliser le sélecteur de mouvement orbital.

NOTE : Ne pas sélectionner le mouvement orbital lorsqu'une lame pour coupe de métal est utilisée.

UTILISATION DE LA SCIE

Voir la figure 9, page 11.

- Assujettir la pièce à couper sur un établi ou une table, au moyen d'un étau ou de serre-joint.
- Marquer clairement la ligne de coupe.
- S'assurer que la lame se trouve à l'écart de tout objet étranger.
- Tenir la scie fermement, bien à l'écart du corps.
- Glisser le bouton de verrouillage pour débloquer la position et appuyer sur la gâchette de vitesse variable pour démarrer le mouvement de coupe.
- Placer la sabot contre la pièce.
- Engager la lame dans la pièce.

NOTE : Ne pas forcer. Exercer une pression juste suffisante pour que la lame coupe. Laisser lame et la scie effectuer le travail. Garder la base appuyée sur la pièce.

UTILISATION

COUPE PLONGEANTE DU BOIS ET DES CLOISONS SÈCHES

Voir la figure 10, page 11.

- Assujettir la pièce à couper sur un établi ou une table, au moyen d'un étau ou de serre-joint.
- Marquer clairement la ligne de coupe.
- S'assurer que les dents de la lame sont exemptes de tout débris ou matériau étrange..
- Tenir la scie fermement, bien à l'écart du corps.
- Choisir un point de départ commode à l'intérieur de la surface à couper et placer la pointe de la lame sur ce point.
- Appuyer le devant de la sabot sur la pièce et le maintenir fermement en position pendant toute la coupe.
- Glisser le bouton de verrouillage pour débloquent la position et appuyer sur la gâchette de vitesse variable. Appuyer sur la gâchette et laisser la lame parvenir à pleine vitesse.

AVERTISSEMENT :

Veiller à ne pas laisser la lame toucher la pièce avant que le moteur soit parvenu à pleine vitesse. Le non respect de cette mise en garde peut causer la perte de contrôle de la scie et entraîner des blessures graves.

-
- Incliner la scie vers le bas, jusqu'à ce que la pointe de la lame entame la pièce.
 - Laisser la lame pénétrer dans la pièce.
 - Redresser la scie jusqu'à ce qu'elle soit perpendiculaire à la pièce.

AVERTISSEMENT :

Les lames longues de plus de 152,4 mm (6 po) peuvent osciller. Elles ne doivent donc pas être utilisées pour les coupes plongées. Le non respect de cette mise en garde peut entraîner des blessures graves.

AVERTISSEMENT :

La coupe accidentelle de câblage électriques peut mettre le support et la barre de lame de la scie sous tension. Lors de coupes dans des cloisons, ne pas toucher les parties métalliques de la scie, la tenir uniquement par les surfaces de prise isolées. Avant de couper dans une cloison, s'assurer de l'absence de câblage électrique, de tuyaux d'eau et autres obstacles dangereux sur la trajectoire de la scie.

COUPE DE MÉTAUX

Voir la figure 11, page 11.

La scie peut être utilisée pour couper des objets en métal tels que la tôle, les tuyaux, les tiges d'acier, l'aluminium, le laiton et le cuivre.

Pour la coupe de métaux, suivre les conseils ci-dessous :

- Veiller à ne pas tordre ou fléchir la lame.
- Placer le sélecteur de mouvement orbital vers la position de course linéaire (OFF).
- **Ne pas** forcer l'outil et utiliser une basse vitesse.
- Utiliser une huile de coupe pour le travail sur les métaux tendres et l'acier. Cette huile prolongera et facilitera la coupe et gardera la lame fraîche, tout en prolongeant sa vie utile.
- **Ne jamais** utiliser à proximité d'essence, car les étincelles normalement produites par le moteur pourraient enflammer les vapeurs.
- Assujettir solidement la pièce et couper près du point de serrage pour éviter la vibration du matériau. Lors de la coupe de tuyaux ou de cornières, serrer la pièce dans un étau et couper le plus près possible du point de serrage. Pour la coupe des tôles minces, placer le matériau en « sandwich » entre deux planches et utiliser des serre-joint pour empêcher les vibrations et la déchirure du matériau.
- Toujours garder la sabot fermement appuyée sur la pièce.

ENTRETIEN

AVERTISSEMENT :

Utiliser exclusivement des pièces d'origine pour les réparations. L'usage de toute autre pièce pourrait créer une situation dangereuse ou endommager l'outil.

AVERTISSEMENT :

Toujours porter une protection oculaire certifiée conforme à la norme ANSI Z87.1. Si cette précaution n'est pas prise, des objets peuvent être projetés dans les yeux et causer des lésions graves

AVERTISSEMENT :

Pour empêcher un démarrage accidentel pouvant entraîner des blessures graves, toujours retirer le bloc de piles de l'outil avant tout nettoyage ou entretien.

ENTRETIEN GÉNÉRAL

Éviter d'utiliser des solvants pour le nettoyage des pièces en plastique. La plupart des matières plastiques peuvent être endommagées par divers types de solvants du commerce. Utiliser un chiffon propre pour éliminer la saleté, la poussière, l'huile, la graisse, etc.

AVERTISSEMENT :

Ne jamais laisser de liquides tels que le fluide de freins, l'essence, les produits à sabot de pétrole, les huiles pénétrantes, etc., entrer en contact avec les pièces en plastique. Les produits chimiques peuvent endommager, affaiblir ou détruire le plastique, ce qui peut entraîner des blessures graves.

ILLUSTRATIONS COMMENÇANT SUR 10 DE PAGE APRÈS LA SECTION ESPAGNOL.

Ce produit est accompagné d'une politique de satisfaction de 90 jours et d'une garantie limitée de trois (3) ans. Pour obtenir les détails de la garantie et de la politique, visiter le site www.RIDGID.com ou appeler (sans frais) au 1-866-539-1710.

ADVERTENCIAS DE SEGURIDAD PARA HERRAMIENTAS ELÉCTRICAS

ADVERTENCIA

Lea todas las advertencias de seguridad y instrucciones. El incumplimiento de las advertencias e instrucciones puede ocasionar descarga eléctrica, fuego o lesiones graves.

Guarde todas las advertencias e instrucciones para futuras consultas. El término “herramienta eléctrica” empleado en todos los avisos de advertencia enumerados abajo se refiere a las herramientas eléctricas de cordón (alámbricas) y de baterías (inalámbricas).

SEGURIDAD EN EL ÁREA DE TRABAJO

- **Mantenga limpia y bien iluminada el área de trabajo.** Un área de trabajo mal despejada o mal iluminada propicia accidentes.
- **No utilice herramientas motorizadas en atmósferas explosivas, como las existentes alrededor de líquidos, gases y polvos inflamables.** Las herramientas eléctricas generan chispas que pueden encender el polvo y los vapores inflamables.
- **Mantenga alejados a los niños y circunstantes al maniobrar una herramienta eléctrica.** Toda distracción puede causar pérdida del control de la herramienta.

SEGURIDAD ELÉCTRICA

- **Las clavijas de las herramientas eléctricas deben corresponder a las tomas de corriente donde se conectan. Nunca modifique la clavija de ninguna forma. No utilice ninguna clavija adaptadora con herramientas eléctricas dotadas de contacto a tierra.** Conectando las clavijas originales en las tomas de corriente donde corresponden se disminuye el riesgo de una descarga eléctrica.
- **Evite el contacto del cuerpo con las superficies de objetos que estén haciendo tierra o estén conectados a ésta, como tuberías, radiadores, estufas y refrigeradores.** Existe un mayor riesgo de descargas eléctricas si el cuerpo está haciendo tierra.
- **No exponga las herramientas eléctricas a la lluvia ni a condiciones de humedad.** La introducción de agua en una herramienta eléctrica aumenta el riesgo de descargas eléctricas.
- **No maltrate el cordón eléctrico. Nunca utilice el cordón para trasladar, desconectar o tirar de la herramienta eléctrica. Mantenga el cordón alejado del calor, del aceite, de bordes afilados y de piezas móviles.** Los cordones eléctricos dañados o enredados aumentan el riesgo de descargas eléctricas.
- **Al utilizar una herramienta eléctrica a la intemperie, use un cordón de extensión apropiado para el exterior.** Usando un cordón adecuado para el exterior se disminuye el riesgo de descargas eléctricas.
- **Si inevitablemente debe utilizar una herramienta eléctrica en un lugar húmedo, utilice un interruptor de circuito con pérdida a tierra (GFCI) para tener un suministro protegido.** El uso de un GFCI disminuye el riesgo de descarga eléctrica.
- **Cargue las baterías solamente con el cargador indicado.** Para utilizar con paquetes de baterías de níquel-cadmio de 18 V o de iones de litio de 18 V, consulte el folleto de la herramienta/aparato/paquete de baterías/cargador complementario 988000-302.

SEGURIDAD PERSONAL

- **Permanezca alerta, preste atención a lo que esté haciendo y aplique el sentido común al utilizar herramientas eléctricas. No utilice la herramienta eléctrica si está cansado o se**

encuentra bajo los efectos de alguna droga, alcohol o medicamento. Un momento de inatención al utilizar una herramienta eléctrica puede causar lesiones corporales serias.

- **Use equipo de seguridad. Siempre póngase protección ocular.** El uso de equipo de seguridad como mascarilla para el polvo, calzado de seguridad, casco y protección para los oídos en las circunstancias donde corresponda disminuye el riesgo de lesiones.
- **Evite un arranque accidental de la unidad. Asegúrese de que el interruptor esté en la posición de apagado antes de conectar la herramienta.** Portar las herramientas eléctricas con el dedo en el interruptor, o conectarlas con el interruptor puesto, propicia accidentes.
- **Retire toda llave o herramienta de ajuste antes de encender la herramienta eléctrica.** Toda llave o herramienta de ajuste dejada en una pieza giratoria de la herramienta eléctrica puede causar lesiones.
- **No estire el cuerpo para alcanzar mayor distancia. Mantenga una postura firme y buen equilibrio en todo momento.** De esta manera se logra un mejor control de la herramienta eléctrica en situaciones inesperadas.
- **Vístase adecuadamente. No vista ropas holgadas ni joyas. Mantenga el cabello, la ropa y los guantes alejados de las piezas móviles.** Las ropas holgadas, las joyas y el cabello largo pueden engancharse en las piezas móviles.
- **Si se suministran dispositivos para conectar mangueras de extracción y captación de polvo, asegúrese de que éstas estén bien conectadas y se usen correctamente.** La utilización de captador de polvo puede disminuir los peligros relacionados con el polvo.
- **No vista ropas holgadas ni joyas. Recójase el cabello si está largo.** Las ropas holgadas y las joyas, así como el cabello largo, pueden resultar atraídas hacia el interior de las aberturas de ventilación.
- **No utilice la unidad al estar en una escalera o en un soporte inestable.** Una postura estable sobre una superficie sólida permite un mejor control de la herramienta eléctrica en situaciones inesperadas.

EMPLEO Y CUIDADO DE LA HERRAMIENTA ELÉCTRICA

- **No fuerce la herramienta eléctrica. Utilice la herramienta eléctrica adecuada para cada trabajo.** La herramienta eléctrica adecuada efectúa mejor y de manera más segura el trabajo, si además se maneja a la velocidad para la que está diseñada.
- **No utilice la herramienta si el interruptor no enciende o no apaga.** Cualquier herramienta eléctrica que no pueda controlarse con el interruptor es peligrosa y debe repararse.
- **Desconecte la clavija del suministro de corriente o retire el paquete de baterías de la herramienta eléctrica, según sea el caso, antes de efectuarle cualquier ajuste, cambiarle accesorios o guardarla.** Tales medidas preventivas de seguridad reducen el riesgo de poner en marcha accidentalmente la herramienta.
- **Guarde las herramientas eléctricas desocupadas fuera del alcance de los niños y no permita que las utilicen personas no familiarizadas con las mismas o con estas instrucciones.** Las herramientas eléctricas son peligrosas en manos de personas no capacitadas en el uso de las mismas.
- **Preste servicio a las herramientas eléctricas. Revise para ver si hay desalineación o atoramiento de piezas móviles,**

ADVERTENCIAS DE SEGURIDAD PARA HERRAMIENTAS ELÉCTRICA

ruptura de piezas o cualquier otra condición que pueda afectar el funcionamiento de la herramienta. Si está dañada la herramienta eléctrica, permita que la reparen antes de usarla. Numerosos accidentes son causados por herramientas eléctricas mal cuidadas.

- **Mantenga las herramientas de corte afiladas y limpias.** Las herramientas de corte bien cuidadas y con bordes bien afilados, tienen menos probabilidad de atascarse en la pieza de trabajo y son más fáciles de controlar.
- **Utilice la herramienta eléctrica, los accesorios y brocas, hojas y cuchillas de corte, ruedas de esmeril, etc. de conformidad con estas instrucciones, tomando en cuenta las condiciones de trabajo y la tarea por realizar.** Si se utiliza la herramienta eléctrica para operaciones diferentes de las indicadas podría originar una situación peligrosa.

EMPLEO Y CUIDADO DE LA HERRAMIENTA DE BATERÍAS

- **Sólo cargue el paquete de baterías con el cargador especificado por el fabricante.** Un cargador adecuado para un tipo paquete de baterías puede significar un riesgo de incendio si se emplea con un paquete de baterías diferente.
- **Utilice las herramientas eléctricas sólo con los paquetes de baterías específicamente indicados.** El empleo de paquetes de baterías diferentes puede presentar un riesgo de incendio.

- **Cuando no esté utilizándose el paquete de baterías, manténgalo lejos de otros objetos metálicos, como clips, monedas, llaves, clavos, tornillos o otros objetos metálicos, pequeños que puedan establecer conexión entre ambas terminales.** Establecer una conexión directa entre las dos terminales de las baterías puede causar quemaduras o incendios.
- **Si se maltratan las baterías, puede derramarse líquido de las mismas; evite todo contacto con éste. En caso de contacto, lávese con agua. Si el líquido llega a tocar los ojos, además busque atención médica.** El líquido de las baterías puede causar irritación y quemaduras.

SERVICIO

- **Permita que un técnico de reparación calificado preste servicio a la herramienta eléctrica, y sólo con piezas de repuesto idénticas.** De esta manera se mantiene la seguridad de la herramienta eléctrica.
- **Al dar servicio a una herramienta eléctrica, sólo utilice piezas de repuesto idénticas. Siga las instrucciones señaladas en la sección Mantenimiento de este manual.** El empleo de piezas no autorizadas o el incumplimiento de las instrucciones de mantenimiento puede significar un riesgo de descarga eléctrica o de lesiones.




ADVERTENCIAS DE SEGURIDAD PARA SIERRA ALTERNATIVA

- **Sostenga la herramienta eléctrica por los asideros aislados cuando realice una tarea en la que el accesorio de corte pueda entrar en contacto con cables ocultos.** El accesorio de corte que esté en contacto con un cable con corriente puede cargar las partes metálicas expuestas de la herramienta eléctrica y ocasionar una descarga eléctrica al operador.
- **Utilice prensas o cualquier otro medio práctico de asegurar y sostener la pieza de trabajo en una plataforma segura.** Sostener la pieza con la mano o contra el cuerpo lo hace inestable y puede causar una pérdida de control.
- **Familiarícese con su herramienta eléctrica. Lea cuidadosamente el manual del operador. Aprenda sus usos y limitaciones, así como los posibles peligros específicos de esta herramienta eléctrica.** Con el cumplimiento de esta regla se reduce el riesgo de una descarga eléctrica, incendio o lesión seria.
- **Siempre póngase protección ocular con la marca de cumplimiento de la norma ANSI Z87.1.** Con el cumplimiento de esta regla se reduce el riesgo de lesiones corporales serias.
- **Protéjase los pulmones. Use una careta o mascarilla contra el polvo si la operación genera mucho polvo.** Con el cumplimiento de esta regla se reduce el riesgo de lesiones serias.
- **Protéjase los oídos. Durante períodos prolongados de utilización del producto, póngase protección para los oídos.** Con el cumplimiento de esta regla se reduce el riesgo de lesiones corporales serias.
- **No se necesita conectar a una toma de corriente las herramientas de baterías; por lo tanto, siempre están en condiciones de funcionamiento. Esté consciente de los posibles peligros cuando no esté usando la herramienta de baterías o cuando esté cambiando los accesorios de la misma.** Con el cumplimiento de esta regla se reduce el riesgo de una descarga eléctrica, incendio o lesión corporal seria.







- **No coloque herramientas de baterías ni las baterías mismas cerca del fuego o del calor.** De esta manera se reduce el riesgo de explosiones y de lesiones.
- **No aplaste, deje caer o dañe de baterías. Nunca utilice una batería o cargador que se ha caído, aplastado, recibido un golpe contundente o ha sido dañado(a) de alguna manera.** Las baterías dañadas pueden sufrir explosiones. Deseche de inmediato toda batería que haya sufrido una caída o cualquier daño.
- **Las baterías pueden explotar en presencia de inflamación, como los pilotos de gas.** Para reducir el riesgo de lesiones serias, nunca use un producto inalámbrico en presencia de llamas expuestas. La explosión de una batería puede lanzar fragmentos y compuestos químicos. Si ha quedado expuesto a la explosión de una batería, lávese de inmediato con agua.
- **No cargue herramientas de baterías en lugares mojados o húmedos.** Con el cumplimiento de esta regla se reduce el riesgo de una descarga eléctrica.
- **Para obtener resultados óptimos, debe cargar la herramienta de baterías en un lugar donde la temperatura esté entre 10 y 38 °C (entre 50 y 100 °F). No guarde la herramienta a la intemperie ni en el interior de vehículos.**
- **En condiciones extremas de uso o temperatura las baterías pueden emanar líquido. Si el líquido llega a tocarle la piel, lávese de inmediato con agua y jabón. Si le entra líquido en los ojos, láveselos con agua limpia por lo menos 10 minutos, y después busque de inmediato atención médica.** Con el cumplimiento de esta regla se reduce el riesgo de lesiones corporales serias.
- **Guarde estas instrucciones.** Consúltelas con frecuencia y empléelas para instruir a otras personas que puedan utilizar esta herramienta. Si presta a alguien esta herramienta, facilítele también las instrucciones.

SÍMBOLOS

Las siguientes palabras de señalización y sus significados tienen el objeto de explicar los niveles de riesgo relacionados con este producto.

SÍMBOLO	SEÑAL	SIGNIFICADO
	PELIGRO:	Indica una situación peligrosa inminente, la cual, si no se evita, causará la muerte o lesiones serias.
	ADVERTENCIA:	Indica una situación peligrosa posible, la cual, si no se evita, podría causar la muerte o lesiones serias.
	PRECAUCIÓN:	Indica una situación peligrosa posible, la cual, si no se evita, podría causar lesiones menores o leves.
	AVISO:	(Sin el símbolo de alerta de seguridad) Indica información importante no relacionada con ningún peligro de lesiones, como una situación que puede ocasionar daños físicos.

Es posible que se empleen en este producto algunos de los siguientes símbolos. Le suplicamos estudiarlos y aprender su significado. Una correcta interpretación de estos símbolos le permitirá utilizar mejor y de manera más segura el producto.

SÍMBOLO	NOMBRE	DENOMINACIÓN/EXPLICACIÓN
	Alerta de seguridad	Indica un peligro posible de lesiones personales.
	Lea manual del operador	Para reducir el riesgo de lesiones, el usuario debe leer y comprender el manual del operador antes de usar este producto.
	Protección ocular	Siempre póngase protección ocular con protección lateral con la marca de cumplimiento de la norma ANSI Z87.1.
	Alerta de condiciones húmedas	No exponga la unidad a la lluvia ni la use en lugares húmedos.
	Símbolo de no acercar las manos	Si no mantiene las manos alejadas de la hoja de corte, se causará serias lesiones corporales.
	Símbolos de reciclado	Este producto contiene baterías de níquel-cadmio o iones de litio. Es posible que algunas leyes municipales, estatales o federales prohíban desechar las baterías de níquel-cadmio en la basura normal. Consulte a las autoridades reguladoras de desechos para obtener información en relación con las alternativas de reciclado y desecho disponibles.
V	Volts	Voltaje
min	Minutos	Tiempo
==	Corriente continua	Tipo o característica de corriente
n ₀	Velocidad en vacío	Velocidad de rotación, en vacío
.../min	Por minuto	Revoluciones, carreras, velocidad superficial, órbitas, etc., por minuto

CARACTERÍSTICAS

ESPECIFICACIONES DEL PRODUCTO

Longitud de la carrera 28,6 mm (1-1/8 pulg.)
Carreras por minuto 0 – 3 000 carr./CPM.

ARMADO

ADVERTENCIA

No use este producto si no está totalmente ensamblado o si alguna pieza falta o está dañada. El uso de un producto que no está adecuadamente y completamente ensamblado o posee partes dañadas o faltantes puede resultar en lesiones personales graves.

ADVERTENCIA

No intente modificar este producto ni crear accesorios que no estén recomendados para usar con este producto. Dichas alteraciones o modificaciones constituyen un uso indebido y podrían provocar una situación de riesgo que cause posibles lesiones personales graves.

Si hay piezas dañadas o faltantes, le suplicamos llamar al 1-866-539-1710, donde le brindaremos asistencia.

CALIFORNIA - PROPUESTA DE LEY NÚM. 65

ADVERTENCIA

Este producto puede contener sustancias químicas (por ejemplo, plomo) reconocidas por el estado de California como causantes de cáncer, defectos congénitos y otras afecciones del aparato reproductor. **Lávese las manos después de utilizar el aparato.**

Algunos ejemplos de estas sustancias químicas son:

- plomo de las pinturas a base de plomo,
- silicio cristalino de los ladrillos, del cemento y de otros productos de albañilería, y
- arsénico y cromo de la madera químicamente tratada.

El riesgo de la exposición a estos compuestos varía, según la frecuencia con que se realice este tipo de trabajo. Para reducir la exposición personal, trabaje en áreas bien ventiladas, y con equipo de seguridad aprobado, tal como las caretas para el polvo especialmente diseñadas para filtrar partículas microscópicas.

FUNCIONAMIENTO

ADVERTENCIA:

No permita que su familiarización con el producto lo vuelva descuidado. Tenga presente que un descuido de un instante es suficiente para causar una lesión seria.

ADVERTENCIA:

Retire siempre el paquete de baterías de la herramienta antes de instalar las piezas, realizar ajustes, limpiarla o cuando no la utilice. Retirar el paquete de baterías evitará que la unidad se accione accidentalmente y provoque lesiones graves.

ADVERTENCIA:

Siempre póngase protección ocular con protección lateral con la marca de cumplimiento de la norma ANSI Z87.1. Si no cumple esta advertencia, los objetos que salen despedidos pueden producirle lesiones serias en los ojos.

ADVERTENCIA:

No utilice ningún aditamento o accesorio no recomendado por el fabricante de este producto. El empleo de aditamentos o accesorios no recomendados podría causar lesiones serias.

APLICACIONES

Este producto puede emplearse para los fines siguientes:

- Corta todo de productos de madera (madera aserrada, madera contrachapada, paneles, madera compuesta y madera dura)
 - Corta masontía y plástico
 - Corta drywall
 - Corta metales tales como acero en chapa, tubos, varillas de acero, aluminio, latón y cobre
-

ADVERTENCIA:

Las herramientas de baterías siempre están en condiciones de funcionamiento. Bloquee el interruptor cuando no esté en uso o lo lleve a su lado, al instalar o extraer el paquete de baterías y al instalar o extraer brocas.

INSTALACIÓN/DESINSTALACIÓN DEL PAQUETE DE BATERÍAS

Vea las figuras 1 y 2, página 10.

Para instalarla:

- Trabe el gatillo del interruptor en la sierra deslizando el botón del seguro de apagado hasta la posición de bloqueo.
- Coloque el paquete de baterías en la sierra. Alinee la costilla realizada del paquete de baterías con la ranura situada en el interior de la sierra.
- Asegúrese de que los pestillos situados en ambos lados del paquete de baterías entren completamente en su lugar con un chasquido, y de que el paquete quede bien fijo en la sierra antes de empezar a utilizar éste.

Para retirarla:

- Trabe el gatillo del interruptor en la sierra deslizando el botón del seguro de apagado hasta la posición de bloqueo.
- Oprima los pestillos situados en ambos lados del paquete de baterías para soltar éste de la sierra.
- Al oprimirse los botones, el paquete de baterías se desconecta, en la dirección de remoción del mismo.

Para conocer todas las instrucciones de carga, consulte el Manual del operador correspondiente a su paquete de baterías y cargador.

SELECCIÓN DE LAS HOJAS

Es importante seleccionar una hoja de tipo correcto con el fin de lograr un desempeño óptimo de la sierra. Debe seleccionarse la hoja según el uso y el material deseados. Si se selecciona una hoja adecuada se logra un corte más limpio y rápido, así como una vida de servicio más prolongada de la hoja de corte.

Las hojas con menos dientes, o sea 10 dientes por pulgada (DPP), se usan normalmente para cortar madera, mientras que aquellas con más dientes son mejores para cortar metal o plástico. Para plásticos y metales suaves recomendamos las de 14 DPP, y para metales duros, las de 18 DPP.

MONTAJE Y DESMONTAJE HOJA

Vea la figura 3, página 10.

- Retire el paquete de baterías.
- Gire la mordaza de la hoja hacia la izquierda y sosténgala para abrir.
- Inserte la hoja de la sierra hasta que esté completamente asentada.

NOTA: La hoja puede instalarse ya sea con los dientes orientados hacia arriba o hacia abajo.

- Suelte la mordaza para asegurar la hoja.
- Para retirar la hoja, gire la mordaza de la hoja hacia la izquierda.

FUNCIONAMIENTO

POSICIONES DE CAMBIO DE LA ZAPATA CONJUNTO

Vea las figuras 4 y 5, página 10.

La longitud de la zapata es ajustable y el ángulo del pivote de la zapata puede ajustarse a una de las tres posiciones.

Para cambiar la longitud del conjunto de la zapata:

- Retire el paquete de baterías de la sierra.
- Desbloquee la palanca de afloje rápido tirándola hacia abajo.
- Ajuste la posición del conjunto de la zapata.
- Bloquee la palanca de afloje rápido tirándola en dirección a la sierra.
- El conjunto de la zapata no se trabará correctamente si se extiende demasiado. Asegúrese de que el conjunto de la zapata se trabe firmemente antes de reemplazar el paquete de baterías.

Para cambiar el ángulo de pivote del conjunto de la zapata:

- Retire el paquete de baterías de la sierra.
- Empuje el pasador de seguridad completamente hacia la derecha para aflojar la zapata.
- Seleccione la posición que desea usar.
- Empuje el pasador de seguridad completamente hacia la izquierda hasta que encaje en la posición de fijación con un clic.
- Asegúrese de que la zapata se trabe firmemente antes de reinstalar el paquete de baterías.

APAGADO Y ENCENDIDO DE LA SIERRA

Vea la figura 6, página 11.

- **Para encender la sierra:** Deslice el botón del seguro de apagado hasta la posición de "unlock" y oprima el gatillo del interruptor.
- **Para apagar la sierra:** Suelte el gatillo del interruptor.

PRECAUCIÓN:

El botón del seguro de apagado debe estar en la posición de asegurado cuando la sierra no está siendo utilizada o al ser transportada.

VELOCIDAD VARIABLE

Esta herramienta dispone de un interruptor de velocidad variable, el cual produce mayor velocidad cuanto mayor presión se aplica en el gatillo. La velocidad se controla mediante la presión aplicada en el gatillo del interruptor.

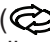
LUZ DE DIODO LUMINISCENTE EN EL MANGO

Vea la figura 7, page 11.

La luz de diodo luminiscente, ubicada debajo de la mordaza de la hoja, ilumina cuando el gatillo del interruptor o el interruptor de luz del mango está presionado. La luz se apaga cuando ambos interruptores están en libertad.

SELECTOR DE MOVIMIENTO EN ÓRBITA

Vea la figura 8, página 11.

Use el selector de movimiento en órbita para seleccionar una carrera línea o un movimiento de corte en órbita (). Para realizar cortes limpios, se recomienda la carrera lineal, mientras que para realizar un corte rápido, se recomienda el movimiento en órbita.

- Para cortes lineales, gire el selector a la posición "OFF" (DESACTIVADO).
- Para el movimiento de corte en órbita, gire el selector a la posición "ON" (ACTIVADO).

NOTA: Para evitar dañar la herramienta, siempre deje que el motor se detenga completamente antes de usar el selector de movimiento en órbita.

NOTA: No use la posición de movimiento en órbita cuando utilice una hoja para cortar metal.

UTILIZACIÓN DE LA SIERRA

Vea la figura 9, página 11.

- Asegure la pieza de trabajo en un banco o mesa de trabajo con una prensa fija o varias de mano.
- Marque claramente la línea de corte.
- Asegúrese de que la hoja de la sierra esté lejos de todo objeto extraño.
- Sostenga firmemente la sierra al frente y bien alejada de usted.
- Deslice el botón del seguro de apagado hasta la posición de desasegurar y oprima el gatillo para comenzar a cortar.
- Ponga el conjunto de la zapata contra la pieza de trabajo.
- Avance la hoja y comience a cortar la pieza de trabajo.

NOTA: No fuerce. Aplique sólo la presión suficiente para mantener la sierra cortando. Permita que la hoja y la sierra realicen el trabajo. Mantenga la presión de la base contra la pieza de trabajo.

FUNCIONAMIENTO

CORTE DE PENETRACIÓN EN MADERA Y PANELES PARA PAREDES

Vea la figura 10, página 11.

- Asegure la pieza de trabajo en un banco o mesa de trabajo con una prensa fija o varias de mano.
- Marque claramente la línea de corte.
- Asegúrese de que los dientes de la hoja no tengan algún residuo o material extraño.
- Sostenga firmemente la sierra al frente y bien alejada de usted.
- Escoja un punto inicial conveniente dentro del área de corte y coloque la punta de la hoja encima de ese punto.
- Deje descansar el borde frontal del conjunto de la zapata sobre la pieza de trabajo y mantenga la base firmemente en su lugar durante el corte.
- Deslice el botón del seguro de apagado hasta la posición de desasegurar y oprima el gatillo para comenzar a cortar. Permita que la hoja de la sierra alcance plena velocidad.

ADVERTENCIA:

Asegúrese de no tocar la pieza de trabajo con la hoja sino hasta que la sierra haya alcanzado su máxima velocidad. La inobservancia de esta advertencia puede causar la pérdida de control de la sierra, y por consiguiente lesiones serias.

-
- Incline hacia abajo la sierra hasta que la punta de la hoja comience a cortar la pieza de trabajo.
 - Permita que la sierra penetre en la pieza de trabajo.
 - Incline la sierra hasta que la hoja quede perpendicular a la pieza de trabajo.

ADVERTENCIA:

Las hojas de una longitud superior a 152,4 mm (6 pulg.) pueden latigear, por lo cual debe evitarse utilizarlas para corte por penetración. La inobservancia de esta advertencia puede causar lesiones serias.

ADVERTENCIA:

Si se cortan cables eléctricos pueden cargarse eléctricamente la hoja, la mordaza de la hoja y el conjunto de la barra de la sierra. No toque piezas metálicas de la herramienta al cortar una pared; sólo sujete las superficies de sujeción aisladas de la herramienta. Al cortar una pared, asegúrese de que no haya cables eléctricos ocultos, tubos hidráulicos y peligros mecánicos en el trayecto de la hoja de corte.

CORTE DE METALES

Vea la figura 11, página 11.

Con la sierra pueden cortarse metales como lámina de acero, tubos, barras de acero, aluminio, bronce y cobre.

Al cortar metal observe las siguientes sugerencias:

- Tenga cuidado de no torcer o doblar la hoja de la sierra.
- Coloque el selector de movimiento en órbita en la posición de movimiento lineal (APAGADO).
- **No** fuerce la herramienta y póngala en una velocidad baja.
- Utilice aceite para cortar al cortar metales suaves y acero. El aceite para cortar mantiene frías las hojas, aumenta la eficacia del corte y prolonga la vida de servicio de las hojas.
- **Nunca** utilice gasolina, ya que el chispeo normal del motor puede inflamar las emanaciones de la misma.
- Sujete firmemente la pieza de trabajo con prensas, y corte cerca del punto de sujeción para eliminar toda vibración posible de la pieza. Al cortar tubo conduit, así como tubo o ángulo de hierro, sujete la pieza de trabajo en una prensa de banco si es posible y corte cerca de la prensa. Para cortar material en forma de lámina delgada, “emparédelo” entre dos paneles de madera prensada o contrachapada y sujete las capas con prensas para eliminar la vibración y el desgarramiento del material.
- Siempre mantenga una presión firme de la conjunto de la zapata contra la pieza de trabajo.

MANTENIMIENTO

ADVERTENCIA:

Para el servicio de la unidad sólo utilice piezas de repuesto idénticas. El empleo de piezas diferentes puede presentar un peligro o causar daños al producto.

ADVERTENCIA:

Siempre póngase protección ocular con protección lateral con la marca de cumplimiento de la norma ANSI Z87.1. Si no cumple esta advertencia, los objetos que salen despedidos pueden producirle lesiones serias en los ojos.

ADVERTENCIA:

Para evitar lesiones corporales serias, siempre retire el paquete de baterías de la herramienta al limpiarla o darle mantenimiento.

MANTENIMIENTO GENERAL

Evite el empleo de solventes al limpiar piezas de plástico. La mayoría de los plásticos son susceptibles a diferentes tipos de solventes comerciales y pueden resultar dañados. Utilice paños limpios para eliminar la suciedad, el polvo, el aceite, la grasa, etc.

ADVERTENCIA:

No permita en ningún momento que fluidos para frenos, gasolina, productos a base de petróleo, aceites penetrantes, etc., lleguen a tocar las piezas de plástico. Las sustancias químicas pueden dañar, debilitar o destruir el plástico, lo cual a su vez puede producir lesiones serias.

Este producto tiene una política de satisfacción garantizada de 90 días y una garantía limitada de tres años. Para obtener detalles sobre la garantía y la política de satisfacción garantizada, diríjase a www.RIDGID.com o llame sin cargo al 1-866-539-1710.

R8642

- A - Orbital action selector (sélecteur de mouvement orbital, selector de movimiento en órbita)
- B - Lock-off button (bouton de verrouillage, botón del seguro de apagado)
- C - Variable speed switch trigger (gâchette de vitesse variable, gatillo de velocidad variable)
- D - Shoe release lever (levier de libération du sabot, palanca de liberación de la zapata)
- E - Adjustable shoe assembly (ensemble sabot ajustable, conjunto de la zapata ajustable)
- F - Saw blade (lame de scie, hoja de la sierra)
- G - Toolless blade clamp (verrouillage de lame sans outil, mordaza para hoja sin herramienta)
- H - LED light (lampe DÉL, luz de diodo luminiscente)
- I - LED grip light switch (interrupteur de la lampe DÉL de la poignée, interruptor de luz de diodo luminiscente en el mango)

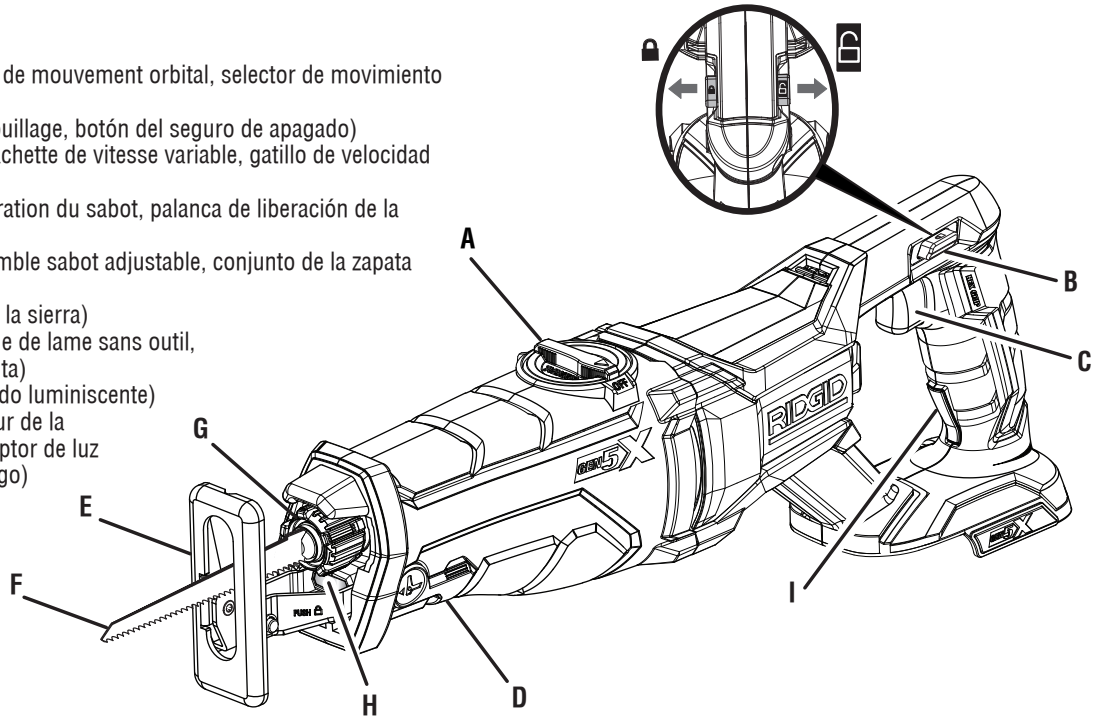
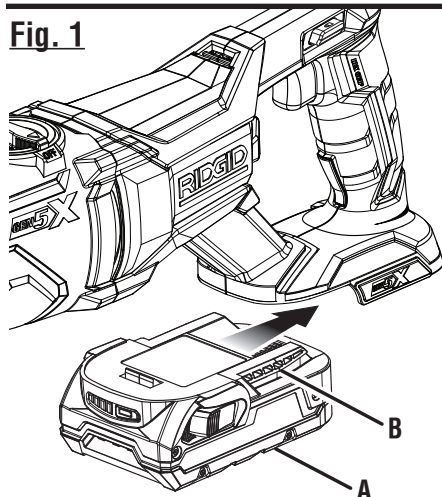
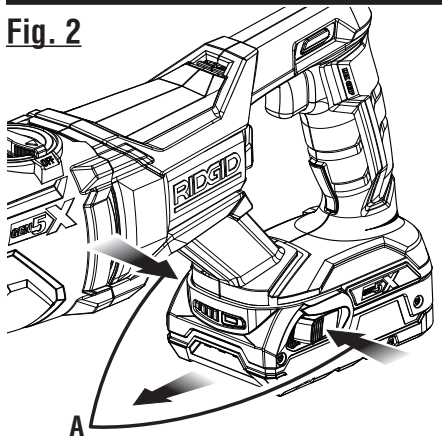


Fig. 1



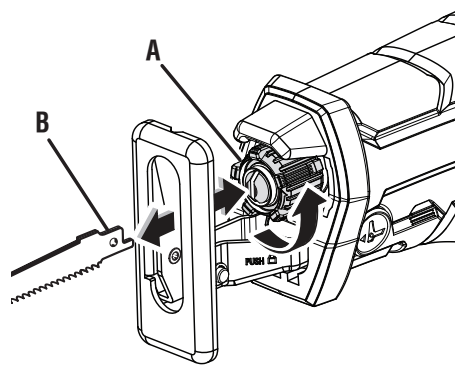
- A - Battery pack (bloc-pile, paquete de batería)
- B - Raised rib (épaulements surélevés, costillas realizadas)

Fig. 2



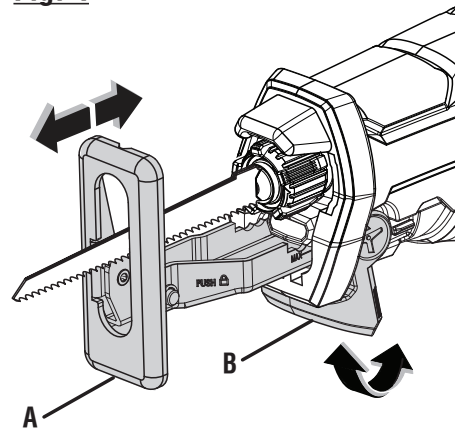
- A - Depress latches to release battery pack (appuyer sur les loquets pour libérer le blocs-pile, para soltar, el paquete de batería oprima los pestillos)

Fig. 3



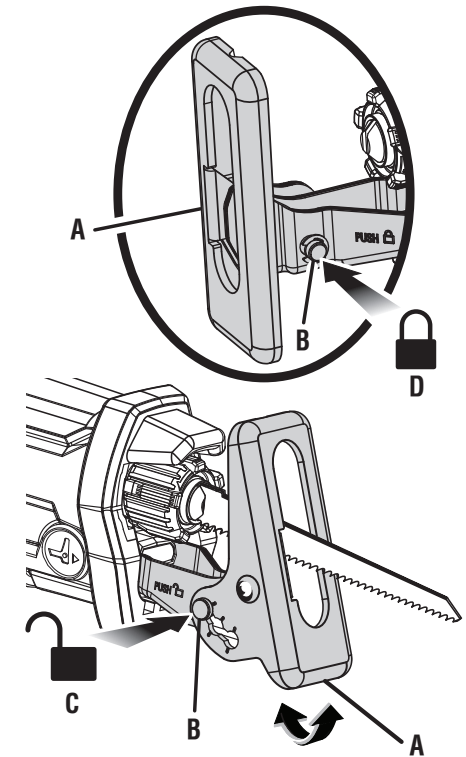
- A - Blade clamp (verrouillage de lame, mordaza para hoja)
- B - Blade (lame, hoja)

Fig. 4



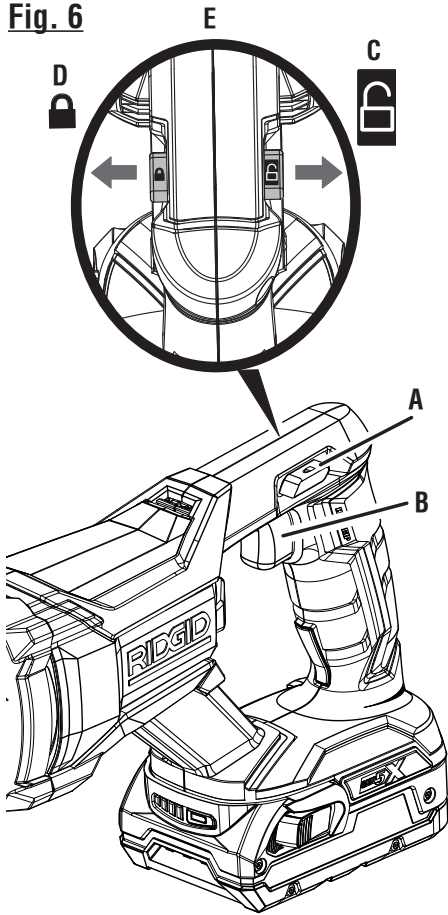
- A - Shoe assembly (sabot, conjunto de la zapata)
- B - Shoe release lever (levier de libération du sabot, palanca de liberación de la zapata)

Fig. 5



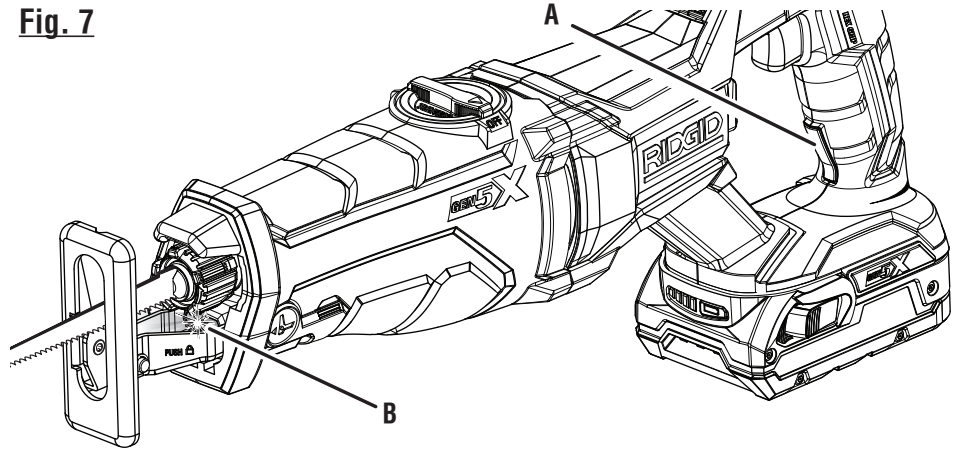
- A - Shoe assembly (sabot, conjunto de la zapata)
- B - Locking pin (axe de verrouillage, pasador de bloqueo)
- C - Unlock (desserrage, desasegurar)
- D - Lock (serrage, asegurar)

Fig. 6



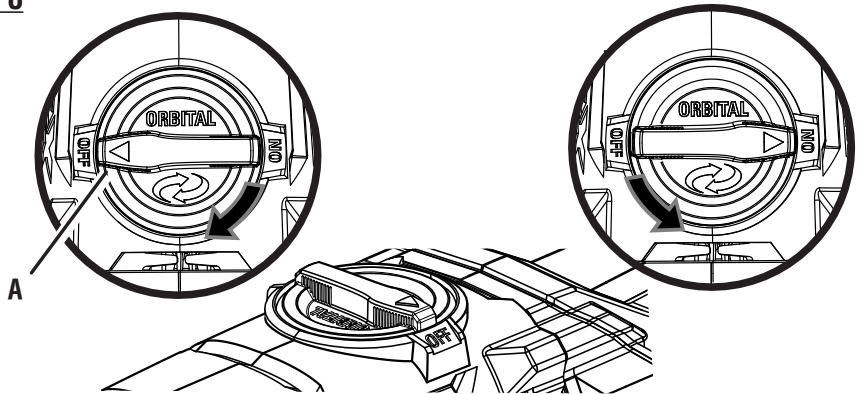
- A - Lock-off button (gâchette de commutateur, botón del seguro de apagado)
- B - Variable speed switch trigger (gâchette de vitesse variable, gatillo de velocidad variable)
- C - Unlock (desserrage, desasegurar)
- D - Lock (serrage, asegurar)
- E - Top view (vue d'en haut, vista superior)

Fig. 7



- A - LED grip light switch (interrupteur de la lampe DÉL de la poignée, interruptor de luz de diodo luminescente en el mango)
- B - LED light (lampe DÉL, luz de diodo luminescente)

Fig. 8



- A - Orbital action selector in OFF (linear cutting) position [sélecteur de mouvement orbital à la position OFF (coupe linéaire), selector de movimiento en órbita en posición APAGADO (movimiento lineal)]
- B - Orbital action selector in ON (orbital cutting) position [orbital action selector in OFF (linear cutting) position, selector de movimiento en órbita en posición ENCENDIDO (movimiento orbital)]

Fig. 9

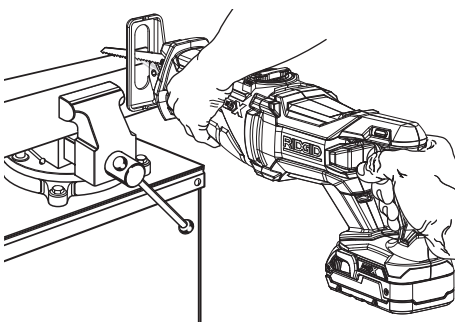


Fig. 10

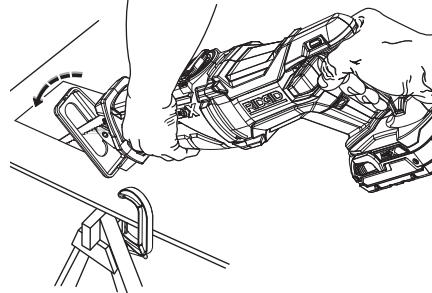
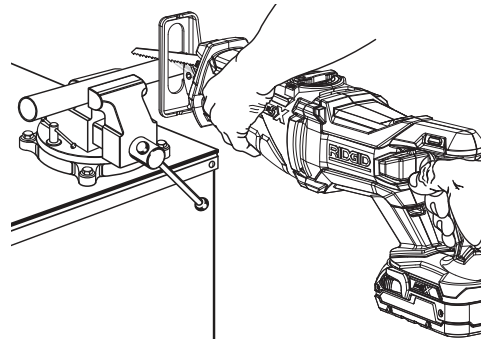


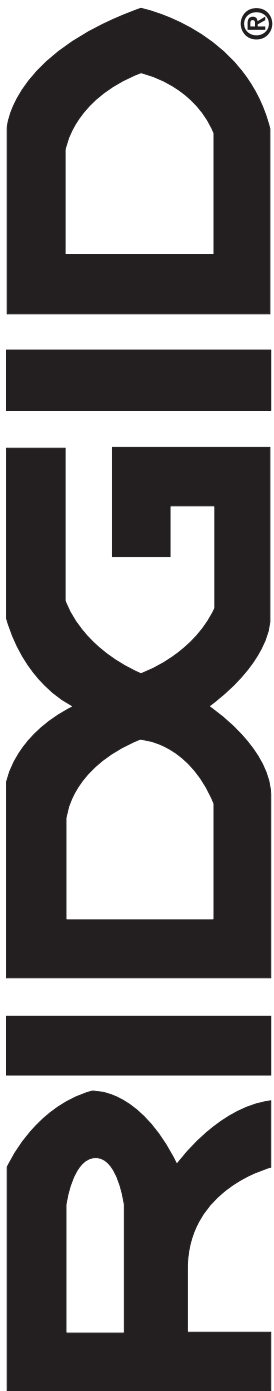
Fig. 11



OPERATOR'S MANUAL MANUEL D'UTILISATION MANUAL DEL OPERADOR

18 VOLT RECIPROCATING SAW VARIABLE SPEED SCIE ALTERNATIVE 18 V VITESSE VARIABLE SIERRA ALTERNATIVA DE 18 V DE VELOCIDAD VARIABLE

R8642



Customer Service Information:

For parts or service, do not return this product to the store. Contact your nearest RIDGID® authorized service center. Be sure to provide all relevant information when you call or visit. For the location of the authorized service center nearest you, please call 1-866-539-1710 or visit us online at www.RIDGID.com.

MODEL NO. _____ SERIAL NO. _____

Service après-vente :

Pour acheter des pièces ou pour un dépannage, ne pas retourner ce produit au magasin. Contacter le centre de réparations RIDGID® agréé le plus proche. Veiller à fournir toutes les informations pertinentes lors de tout appel téléphonique ou visite. Pour obtenir l'adresse du centre de réparations agréé le plus proche, téléphoner au 1-866-539-1710 ou visiter notre site www.RIDGID.com.

NO. DE MODÈLE _____ NO. DE SÉRIE _____

Información sobre servicio al consumidor:

Para piezas de repuesto o servicio, no devuelva este producto a la tienda. Comuníquese con el centro de servicio autorizado de productos RIDGID® de su preferencia. Asegúrese de proporcionar todos los datos pertinentes al llamar o al presentarse personalmente. Para obtener información sobre el centro de servicio autorizado más cercano a usted, le suplicamos llamar al 1-866-539-1710 o visitar nuestro sitio en la red mundial, en la dirección www.RIDGID.com.

NÚM. DE MODELO _____ NÚM. DE SERIE _____

ONE WORLD TECHNOLOGIES, INC.

P.O. Box 35, Hwy. 8
Pickens, SC 29671, USA
1-866-539-1710 ■ www.RIDGID.com

RIDGID is a registered trademark of RIDGID, Inc., used under license.

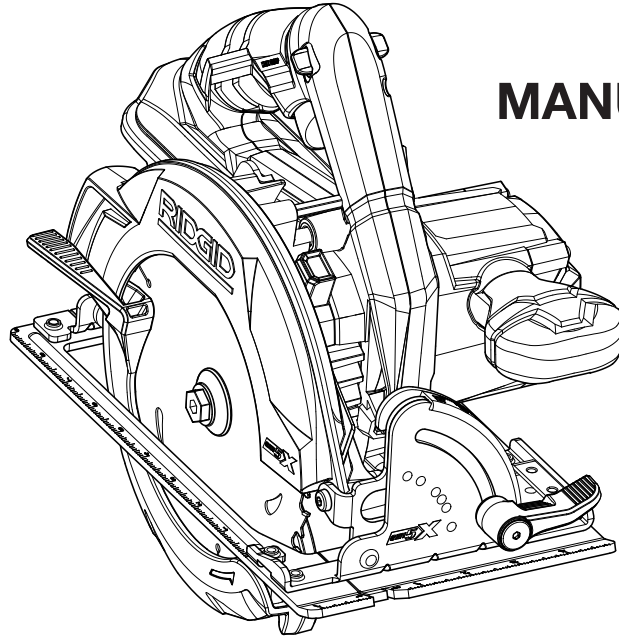


OPERATOR'S MANUAL
7-1/4 in. 18 V
CIRCULAR SAW

MANUEL D'UTILISATION
184 mm (7-1/4 po) 18 V
SCIE CIRCULAIRE

MANUAL DEL OPERADOR
184 mm (7-1/4 pulg.) 18 V
SIERRA CIRCULAR

R8652



To register your RIDGID product, please visit: <http://register.RIDGID.com>

Pour enregistrer votre produit de RIDGID, s'il vous plaît la visite: <http://register.RIDGID.com>

Para registrar su producto de RIDGID, por favor visita: <http://register.RIDGID.com>

INCLUDES: Circular Saw, Blade, Blade Wrench, Operator's Manual

INCLUT : Scie circulaire, lame, clé à lame, manuel del utilisation

INCLUYE: Sierra circular, hoja, llave de la hoja, manual del operador

TABLE OF CONTENTS

- General Power Tool Safety Warnings2-3
- Circular Saw Safety Warnings3-4
- Symbols.....5
- Features.....6
- Assembly.....6
- Operation.....7-10
- Adjustments 10
- Maintenance..... 11
- Accessories 11
- Illustrations12-15
- Parts Ordering and ServiceBack page

TABLE DES MATIÈRES

- Avertissements de sécurité relatives aux outils électriques.....2-3
- Avertissements de sécurité relatifs au scie circulaire.....3-4
- Symboles.....5
- Caractéristiques6
- Assemblage.....6
- Utilisation.....7-10
- Réglages..... 10
- Entretien 11
- Accessoires 11
- Illustrations12-15
- Commande de pièces et réparation.....Page arrière

ÍNDICE DE CONTENIDO

- Advertencias de seguridad para herramientas eléctricas.....2-3
- Advertencias de seguridad sierra circular.....3-4
- Símbolos 5
- Características 6
- Armado.....6
- Funcionamiento.....7-10
- Ajustes..... 10
- Mantenimiento..... 11
- Accesorios..... 11
- Ilustraciones12-15
- Pedidos de piezas y servicio Pág. posterior

⚠ WARNING:

To reduce the risk of injury, the user must read and understand the operator's manual before using this product.

⚠ AVERTISSEMENT :

Pour réduire les risques de blessures, l'utilisateur doit lire et veiller à bien comprendre le manuel d'utilisation avant d'utiliser ce produit.

⚠ ADVERTENCIA:

Para reducir el riesgo de lesiones, el usuario debe leer y comprender el manual del operador antes de usar este producto.

SAVE THIS MANUAL FOR FUTURE REFERENCE

CONSERVER CE MANUEL POUR FUTURE RÉFÉRENCE

GUARDE ESTE MANUAL PARA FUTURAS CONSULTAS

GENERAL POWER TOOL SAFETY WARNINGS

WARNING

Read all safety warnings and all instructions. Failure to follow the warnings and instructions may result in electric shock, fire and/or serious injury.

Save all warnings and instructions for future reference.

The term “power tool” in the warnings refers to your mains-operated (corded) power tool or battery-operated (cordless) power tool.

WORK AREA SAFETY

- **Keep work area clean and well lit.** Cluttered or dark areas invite accidents.
- **Do not operate power tools in explosive atmospheres, such as in the presence of flammable liquids, gases or dust.** Power tools create sparks which may ignite the dust or fumes.
- **Keep children and bystanders away while operating a power tool.** Distractions can cause you to lose control.

ELECTRICAL SAFETY

- **Power tool plugs must match the outlet. Never modify the plug in any way. Do not use any adapter plugs with earthed (grounded) power tools.** Unmodified plugs and matching outlets will reduce risk of electric shock.
- **Avoid body contact with earthed or grounded surfaces such as pipes, radiators, ranges and refrigerators.** There is an increased risk of electric shock if your body is earthed or grounded.
- **Do not expose power tools to rain or wet conditions.** Water entering a power tool will increase the risk of electric shock.
- **Do not abuse the cord. Never use the cord for carrying, pulling or unplugging the power tool. Keep cord away from heat, oil, sharp edges or moving parts.** Damaged or entangled cords increase the risk of electric shock.
- **When operating a power tool outdoors, use an extension cord suitable for outdoor use.** Use of a cord suitable for outdoor use reduces the risk of electric shock.
- **If operating a power tool in a damp location is unavoidable, use a ground fault circuit interrupter (GFCI) protected supply.** Use of a GFCI reduces the risk of electric shock.
- **For use only with 18 V nickel-cadmium and 18 V lithium-ion battery packs, see tool/appliance/battery pack/charger correlation supplement 988000-302.**

PERSONAL SAFETY

- **Stay alert, watch what you are doing and use common sense when operating a power tool. Do not use a power tool while you are tired or under the influence of drugs, alcohol or medication.** A moment of inattention while operating power tools may result in serious personal injury.
- **Use personal protective equipment. Always wear eye protection.** Protective equipment such as dust mask, non-skid safety shoes, hard hat, or hearing protection used for appropriate conditions will reduce personal injuries.

- **Prevent unintentional starting. Ensure the switch is in the off-position before connecting to power source and/or battery pack, picking up or carrying the tool.** Carrying power tools with your finger on the switch or energising power tools that have the switch on invites accidents.
- **Remove any adjusting key or wrench before turning the power tool on.** A wrench or a key left attached to a rotating part of the power tool may result in personal injury.
- **Do not overreach. Keep proper footing and balance at all times.** This enables better control of the power tool in unexpected situations.
- **Dress properly. Do not wear loose clothing or jewellery. Keep your hair, clothing and gloves away from moving parts.** Loose clothes, jewellery or long hair can be caught in moving parts.
- **If devices are provided for the connection of dust extraction and collection facilities, ensure these are connected and properly used.** Use of dust collection can reduce dust-related hazards.
- **Do not wear loose clothing or jewelry. Contain long hair.** Loose clothes, jewelry, or long hair can be drawn into air vents.
- **Do not use on a ladder or unstable support.** Stable footing on a solid surface enables better control of the power tool in unexpected situations.

POWER TOOL USE AND CARE

- **Do not force the power tool. Use the correct power tool for your application.** The correct power tool will do the job better and safer at the rate for which it was designed.
- **Do not use the power tool if the switch does not turn it on and off.** Any power tool that cannot be controlled with the switch is dangerous and must be repaired.
- **Disconnect the plug from the power source and/or the battery pack from the power tool before making any adjustments, changing accessories, or storing power tools.** Such preventive safety measures reduce the risk of starting the power tool accidentally.
- **Store idle power tools out of the reach of children and do not allow persons unfamiliar with the power tool or these instructions to operate the power tool.** Power tools are dangerous in the hands of untrained users.
- **Maintain power tools. Check for misalignment or binding of moving parts, breakage of parts and any other condition that may affect the power tool's operation. If damaged, have the power tool repaired before use.** Many accidents are caused by poorly maintained power tools.
- **Keep cutting tools sharp and clean.** Properly maintained cutting tools with sharp cutting edges are less likely to bind and are easier to control.
- **Use the power tool, accessories and tool bits etc. in accordance with these instructions, taking into account the working conditions and the work to be performed.** Use of the power tool for operations different from those intended could result in a hazardous situation.

GENERAL POWER TOOL SAFETY WARNINGS

BATTERY TOOL USE AND CARE

- **Recharge only with the charger specified by the manufacturer.** A charger that is suitable for one type of battery pack may create a risk of fire when used with another battery pack.
- **Use power tools only with specifically designated battery packs.** Use of any other battery packs may create a risk of injury and fire.
- **When battery pack is not in use, keep it away from other metal objects, like paper clips, coins, keys, nails, screws or other small metal objects, that can make a connection from one terminal to another.** Shorting the battery terminals together may cause burns or a fire.


- **Under abusive conditions, liquid may be ejected from the battery; avoid contact. If contact accidentally occurs, flush with water. If liquid contacts eyes, additionally seek medical help.** Liquid ejected from the battery may cause irritation or burns.

SERVICE

- **Have your power tool serviced by a qualified repair person using only identical replacement parts.** This will ensure that the safety of the power tool is maintained.
- **When servicing a power tool, use only identical replacement parts. Follow instructions in the Maintenance section of this manual.** Use of unauthorized parts or failure to follow Maintenance instructions may create a risk of shock or injury.

CIRCULAR SAW SAFETY WARNINGS

CUTTING PROCEDURES

 **DANGER:**
Keep hands away from cutting area and the blade. Keep your second hand on auxiliary handle, or motor housing. If both hands are holding the saw, they cannot be cut by the blade.

- **Do not reach underneath the workpiece.** The guard can not protect you from the blade below the workpiece.
- **Adjust the cutting depth to the thickness of the workpiece.** Less than a full tooth of the blade teeth should be visible below the workpiece.
- **Never hold piece being cut in your hands or across your leg. Secure the workpiece to a stable platform.** It is important to support the work properly to minimize body exposure, blade binding, or loss of control.
- **Hold the power tool by insulated gripping surfaces only, when performing an operation where the cutting tool may contact hidden wiring.** Contact with a “live” wire will also make exposed metal parts of the power tool “live” and could give the operator an electric shock.
- **When ripping, always use a rip fence or straight edge guide.** This improves the accuracy of cut and reduces the chance of blade binding.
- **Always use blades with correct size and shape (diamond versus round) of arbour holes.** Blades that do not match the mounting hardware of the saw will run eccentrically, causing loss of control.
- **Never use damaged or incorrect blade washers or bolt.** The blade washers and bolt were specially designed for your saw, for optimum performance and safety of operation.

KICKBACK CAUSES AND RELATED WARNINGS

- Kickback is a sudden reaction to a pinched, bound or misaligned saw blade, causing an uncontrolled saw to lift up and out of the workpiece toward the operator;
- When the blade is pinched or bound tightly by the kerf closing down, the blade stalls and the motor reaction drives the unit rapidly back toward the operator;
- If the blade becomes twisted or misaligned in the cut, the teeth at the back edge of the blade can dig into the top surface of the wood causing the blade to climb out of the kerf and jump back toward the operator.

Kickback is the result of saw misuse and/or incorrect operating procedures or conditions and can be avoided by taking proper precautions as given below:

- **Maintain a firm grip with both hands on the saw and position your arms to resist kickback forces. Position your body to either side of the blade, but not in line with the blade.** Kickback could cause the saw to jump backwards, but kickback forces can be controlled by the operator, if proper precautions are taken.
- **When blade is binding, or when interrupting a cut for any reason, release the trigger and hold the saw motionless in the material until the blade comes to a complete stop. Never attempt to remove the saw from the work or pull the saw backward while the blade is in motion or kickback may occur.** Investigate and take corrective actions to eliminate the cause of blade binding.
- **When restarting a saw in the workpiece, centre the saw blade in the kerf and check that saw teeth are not engaged into the material.** If saw blade is binding, it may walk up or kickback from the workpiece as the saw is restarted.

CIRCULAR SAW SAFETY WARNINGS

- **Support large panels to minimise the risk of blade pinching and kickback.** Large panels tend to sag under their own weight. Supports must be placed under the panel on both sides, near the line of cut and near the edge of the panel.
- **Do not use dull or damaged blades.** Unsharpened or improperly set blades produce narrow kerf causing excessive friction, blade binding and kickback.
- **Blade depth and bevel adjusting locking levers must be tight and secure before making cut.** If blade adjustment shifts while cutting, it may cause binding and kickback.
- **Use extra caution when sawing into existing walls or other blind areas.** The protruding blade may cut objects that can cause kickback.
- **Always wear eye protection with side shields marked to comply with ANSI Z87.1 when assembling parts, operating the tool, or performing maintenance.** Following this rule will reduce the risk of serious personal injury.
- **Protect your lungs. Wear a face or dust mask if the operation is dusty.** Following this rule will reduce the risk of serious personal injury.
- **Protect your hearing. Wear hearing protection during extended periods of operation.** Following this rule will reduce the risk of serious personal injury.
- **Battery tools do not have to be plugged into an electrical outlet; therefore, they are always in operating condition. Be aware of possible hazards when not using your battery tool or when changing accessories.** Following this rule will reduce the risk of electric shock, fire, or serious personal injury.

LOWER GUARD FUNCTION




- **Check lower guard for proper closing before each use. Do not operate the saw if lower guard does not move freely and close instantly. Never clamp or tie the lower guard into the open position.** If saw is accidentally dropped, lower guard may be bent. Raise the lower guard with the retracting handle and make sure it moves freely and does not touch the blade or any other part, in all angles and depths of cut.
- **Check the operation of the lower guard spring. If the guard and the spring are not operating properly, they must be serviced before use.** Lower guard may operate sluggishly due to damaged parts, gummy deposits, or a build-up of debris.
- **Lower guard should be retracted manually only for special cuts such as “plunge cuts” and “compound cuts.”** Raise lower guard by retracting handle and as soon as blade enters the material, the lower guard must be released. For all other sawing, the lower guard should operate automatically.
- **Always observe that the lower guard is covering the blade before placing saw down on bench or floor.** An unprotected, coasting blade will cause the saw to walk backwards, cutting whatever is in its path. Be aware of the time it takes for the blade to stop after switch is released.
- **Do not place battery tools or their batteries near fire or heat.** This will reduce the risk of explosion and possibly injury.
- **Do not crush, drop or damage battery pack. Do not use a battery pack or charger that has been dropped or received a sharp blow.** A damaged battery is subject to explosion. Properly dispose of a dropped or damaged battery immediately.
- **Batteries can explode in the presence of a source of ignition, such as a pilot light.** To reduce the risk of serious personal injury, never use any cordless product in the presence of open flame. An exploded battery can propel debris and chemicals. If exposed, flush with water immediately.
- **Do not charge battery tool in a damp or wet location.** Following this rule will reduce the risk of electric shock.
- **For best results, your battery tool should be charged in a location where the temperature is more than 50°F but less than 100°F.** To reduce the risk of serious personal injury, do not store outside or in vehicles.
- **Under extreme usage or temperature conditions, battery leakage may occur. If liquid comes in contact with your skin, wash immediately with soap and water. If liquid gets into your eyes, flush them with clean water for at least 10 minutes, then seek immediate medical attention.** Following this rule will reduce the risk of serious personal injury.
- **Save these instructions.** Refer to them frequently and use them to instruct others who may use this tool. If you loan someone this tool, loan them these instructions also.

ADDITIONAL SAFETY WARNINGS







- **Use clamps or other practical way to secure and support the workpiece to a stable platform.** Holding the work by hand or against your body is unstable and may lead to loss of control.

SYMBOLS

The following signal words and meanings are intended to explain the levels of risk associated with this product.

SYMBOL	SIGNAL	MEANING
	DANGER:	Indicates an imminently hazardous situation, which, if not avoided, will result in death or serious injury.
	WARNING:	Indicates a potentially hazardous situation, which, if not avoided, could result in death or serious injury.
	CAUTION:	Indicates a potentially hazardous situation, which, if not avoided, may result in minor or moderate injury.
	NOTICE:	(Without Safety Alert Symbol) Indicates important information not related to an injury hazard, such as a situation that may result in property damage.

Some of the following symbols may be used on this product. Please study them and learn their meaning. Proper interpretation of these symbols will allow you to operate the product better and safer.

SYMBOL	NAME	DESIGNATION/EXPLANATION
	Safety Alert	Indicates a potential personal injury hazard.
	Read Operator's Manual	To reduce the risk of injury, user must read and understand operator's manual before using this product.
	Eye and Hearing Protection	Always wear eye protection with side shields marked to comply with ANSI Z87.1, along with hearing protection.
	Wet Conditions Alert	Do not expose to rain or use in damp locations.
	No Hands Symbol	Failure to keep your hands away from the blade will result in serious personal injury.
	Recycle Symbols	This product uses nickel-cadmium (Ni-Cd) and lithium-ion (Li-ion) batteries. Local, state or federal laws may prohibit disposal of batteries in ordinary trash. Consult your local waste authority for information regarding available recycling and/or disposal options.
V	Volts	Voltage
A	Amperes	Current
Hz	Hertz	Frequency (cycles per second)
min	Minutes	Time
==	Direct Current	Type or a characteristic of current
n_0	No Load Speed	Rotational speed, at no load
.../min	Per Minute	Revolutions, strokes, surface speed, orbits etc., per minute

FEATURES

PRODUCT SPECIFICATIONS

Blade Diameter.....	7-1/4 in.	Cutting Depth at 45°.....	1-27/32 in.
Blade Arbor	5/8 in.	No Load Speed	3,700 r/min. (RPM)
Cutting Depth at 0°.....	2-7/16 in.	Motor.....	18 Volt DC

ASSEMBLY

UNPACKING

This product requires assembly.

- Carefully remove the tool and any accessories from the box. Make sure that all items listed in the packing list are included.

WARNING:

Do not use this product if any parts on the Includes List are already assembled to your product when you unpack it. Parts on this list are not assembled to the product by the manufacturer and require customer installation. Use of a product that may have been improperly assembled could result in serious personal injury.

- If any parts are damaged or missing, please call 1-866-539-1710 for assistance.

WARNING:

If any parts are damaged or missing do not operate this product until the parts are replaced. Use of this product with damaged or missing parts could result in serious personal injury.

WARNING:

Do not attempt to modify this product or create accessories not recommended for use with this product. Any such alteration or modification is misuse and could result in a hazardous condition leading to possible serious personal injury.

ATTACHING THE BLADE

See Figure 1, page 12.

WARNING:

A 7-1/4 in. blade is the maximum blade capacity of the saw. Never use a blade that is too thick to allow outer blade washer to engage with the flats on the spindle. Larger blades will come in contact with the blade guard, while thicker blades will prevent blade screw from securing blade on spindle. Either of these situations could result in a serious accident.

- Remove the battery pack from the saw.
- Remove the blade wrench (6 mm hex key) from the storage area.
- Depress the spindle lock button and remove the blade screw and outer blade washer.

NOTE: Turn the blade screw counterclockwise to remove.

NOTICE:

To prevent damage to the spindle or spindle lock, always allow motor to come to a complete stop before engaging spindle lock.

NOTE: Do not run the circular saw with spindle lock engaged.

- Wipe a drop of oil onto the inner blade washer and outer blade washer where they contact the blade.

WARNING:

If inner blade washer has been removed, replace it before placing blade on spindle. Failure to do so could cause an accident since blade will not tighten properly.

- Raise the lower blade guard.
- Fit the saw blade inside the lower blade guard and onto the spindle.

NOTE: The saw teeth point upward at the front of the saw.

- Replace the outer blade washer.
- Depress the spindle lock button, then replace the blade screw. Tighten the blade screw securely by turning it clockwise.
- Return the blade wrench to the storage area.

REMOVING THE BLADE

See Figure 2, page 12.

- Remove the battery pack from saw.
- Remove the blade wrench from the storage area.
- Position the saw as shown. Depress the spindle lock button, and remove the blade screw by turning it counterclockwise.
- Remove outer blade washer.
- Lift lower blade guard.
- Remove blade.

OPERATION

DANGER:

Keep hands away from cutting area and the blade. Keep your second hand on auxiliary handle, or motor housing. If both hands are holding the saw, they cannot be cut by the blade.

WARNING:

Do not allow familiarity with this product to make you careless. Remember that a careless fraction of a second is sufficient to inflict serious injury.

WARNING:

Always remove battery pack from the tool when you are assembling parts, making adjustments, cleaning, or when not in use. Removing battery pack will prevent accidental starting that could cause serious personal injury.

WARNING:

Always wear eye protection with side shields marked to comply with ANSI Z87.1, along with hearing protection. Failure to do so could result in objects being thrown into your eyes and other possible serious injuries.

WARNING:

Do not use any attachments or accessories not recommended by the manufacturer of this product. The use of attachments or accessories not recommended can result in serious personal injury.

APPLICATIONS

You may use this tool for the following purposes:

- Cutting all types of wood products (lumber, plywood, paneling)
 - Cross cutting/rip cutting wood products
 - Bevel cutting wood products
 - Pocket cutting wood products
-

WARNING:

Never use abrasive cut-off wheels of any kind with this saw. Use of non wood cutting blades can result in property damage or serious personal injury.

INSTALLING/REMOVING THE BATTERY PACK

See Figure 3, page 13.

- Place the battery pack in the saw. Align the raised rib on the battery pack with the groove inside the saw, then slide the battery pack into the saw.
- Make sure the latches on each side of the battery pack snap into place and the battery pack is secured in the saw before beginning operation.
- Depress the latches to remove the battery pack.

For complete charging instructions, see the operator's manuals for your battery pack and charger.

WARNING:

Battery tools are always in operating condition. Therefore, switch should always be locked when not in use or carrying at your side.

KICKBACK

See Figures 4 - 7, page 13.

Kickback occurs when the blade stalls rapidly and the saw is driven back towards you. Blade stalling is caused by any action which pinches the blade in the wood.

WARNING:

Release switch immediately if blade binds or saw stalls. Kickback could cause you to lose control of the saw. Loss of control can lead to serious personal injury.

To guard against kickback, avoid dangerous practices such as the following:

- Setting blade depth incorrectly.
- Sawing into knots or nails in workpiece.
- Twisting the blade while making a cut.
- Making a cut with a dull, gummed up, or improperly set blade.
- Supporting the workpiece incorrectly.
- Forcing a cut.
- Cutting warped or wet lumber.
- Operating the tool incorrectly or misusing the tool.

To lessen the chance of kickback, follow these safety practices:

- Keep the blade at the correct depth setting. Less than a full tooth of the blade teeth should be visible below the workpiece.
- Inspect the workpiece for knots or nails before cutting. Never saw into a knot or nail.
- Make straight cuts. Always use a straight edge guide when rip cutting. This helps prevent twisting the blade.
- Use clean, sharp, and properly set blades. Never make cuts with dull blades.

OPERATION

- Support and clamp the workpiece properly before beginning a cut.
- Use steady, even pressure when making a cut. Never force a cut.
- Do not cut warped or wet lumber.
- Always let the blade reach full speed before beginning a cut.
- Hold the saw firmly with both hands and keep your body in a balanced position so as to resist the forces if kickback should occur.

WARNING:

When using the saw, always stay alert and exercise control. Do not remove the saw from the workpiece while the blade is moving.

SAW BLADES

The best of saw blades will not cut efficiently if they are not kept clean, sharp, and properly set. Using a dull blade will place a heavy load on the saw and increase the danger of kickback. Keep extra blades on hand, so that sharp blades are always available.

Gum and wood pitch hardened on blades will slow the saw down. Remove saw blade from the saw and use gum and pitch remover, hot water, or kerosene to remove these accumulations. **DO NOT USE GASOLINE.**

BLADE GUARD SYSTEM

See Figure 8, page 13.

The lower blade guard attached to your circular saw is there for your protection and safety. Do not alter it for any reason. If it becomes damaged, do not operate the saw until you have the guard repaired or replaced. Always leave guard in operating position when using the saw.

DANGER:

When sawing through work, lower blade guard does not cover blade on the underside of work. Since blade is exposed on underside of work, keep hands and fingers away from cutting area. Any part of your body coming in contact with moving blade will result in serious injury.

WARNING:

To avoid possible serious injury, never use saw when guard is not operating correctly. Check the guard for correct operation before each use. The guard is operating correctly when it moves freely, and instantly returns to the closed position. If you drop the saw, check the lower blade guard and bumper for damage at all depth settings before reuse.

WARNING:

Never tie the lower blade guard in a raised position. Leaving the blade exposed could lead to serious injury.

If at any time the lower blade guard does not snap closed, remove the battery from the saw. Exercise the lower guard by moving it rapidly back and forth from the full open position to the closed position several times. Normally this will restore the guard to its normal operating condition. If it does not correct a slow or sluggish closing lower guard, do not use the saw. Take it to an authorized factory service center for repair.

STARTING/STOPPING THE SAW

See Figure 9, page 13.

To start the saw:

- Depress the lock-off button.
- Depress the switch trigger.

Always let the blade reach full speed, then guide the saw into the workpiece.

WARNING:

The blade coming in contact with the workpiece before it reaches full speed could cause the saw to “kickback” towards you resulting in serious injury.

To stop the saw, release the switch trigger.

After you release the switch trigger, allow the blade to come to a complete stop. **Do not remove the saw from the workpiece while the blade is moving.**

LOCK-OFF BUTTON

See Figure 9, page 13.

The lock-off button reduces the possibility of accidental starting. The lock-off button is located on the handle above the switch trigger. The lock-off button must be depressed before you pull the switch trigger. The lock resets each time the trigger is released.

NOTE: You can depress the lock-off button from either the left or right side.

INDEXABLE LEVERS

See Figure 10, page 14.

The levers on the saw can be repositioned for the best tightening position.

- Pull the lever out from the saw and to desired position.
- Push lever back into place.

ADJUSTING BLADE DEPTH

See Figure 11, page 14.

Always keep correct blade depth setting. Less than a full tooth of the blade teeth should be visible below the

OPERATION

workpiece. More blade depth will increase the chance of kickback and cause the cut to be rough.

- Remove the battery pack from saw.
- Rotate depth lock lever away from the base.
- Determine the desired depth of cut.
- Hold base flat against the workpiece and raise or lower saw until the index point or mark on the saw aligns with the desired depth on the scale.
- Rotate depth lock lever toward the base to lock into position.

OPERATING THE SAW

See Figures 12 - 13, page 14.

It is important to understand the correct method for operating the saw. Refer to the figures in this section to learn the correct and incorrect ways for handling the saw.

WARNING:

To make sawing easier and safer, always maintain proper control of the saw by holding the saw with two hands. Loss of control could cause an accident resulting in possible serious injury.

DANGER:

When lifting the saw from the workpiece, the blade is exposed on the underside of the saw until the lower blade guard closes. Make sure the lower blade guard is closed before setting the saw down.

WARNING:

Use clamps or other practical ways to secure and support the workpiece to a stable platform. Holding the work by hand or against your body is unstable and may lead to loss of control which could cause possible serious injury.

To make the best possible cut:

- Hold the saw firmly with both hands.
- Avoid placing your hand on the workpiece while making a cut.
- Support the workpiece so that the cut (kerf) is always to your side.
- Support the workpiece near the cut.
- Clamp the workpiece securely so that the workpiece will not move during the cut.
- Always place the saw on the workpiece that is supported, not the “cut off” piece.
- Place the workpiece with the “good” side down.
- Draw a guideline along the desired line of cut before beginning your cut.

CROSS CUTTING/RIP CUTTING

See Figures 14 - 15, page 14.

When making a cross cut or rip cut, align your line of cut with the outer blade guide notch on the saw base.

Since blade thicknesses vary, always make a trial cut in scrap material along a guideline to determine how much, if any, the guideline must be offset to produce an accurate cut.

NOTE: The distance from the line of cut to the guideline is the amount you should offset the guide.

- Secure the workpiece.
- Clamp a straight edge to the workpiece using C-clamps.
- Saw along the straight edge to achieve a straight rip cut.

NOTE: Do not bind the blade in the cut.

USING OPTIONAL EDGE GUIDE

See Figure 16, page 14.

Use an edge guide, part no. 202050004, when making long or wide rip cuts with the saw.

- Remove the battery pack from the saw.
- Place the edge guide (not included) through the slots in the saw base.
- Adjust the edge guide to the width needed.
- Tighten the wing screw securely.

When using an edge guide, position the face of the edge guide firmly against the edge of workpiece. This makes for a true cut without pinching the blade. The guiding edge of the workpiece must be straight for your cut to be straight. Use caution to prevent the blade from binding in the cut.

BEVEL CUTTING

See Figures 17 - 19, pages 14 and 15.

The angle of cut of the saw may be adjusted to any desired setting between zero and 56°.

NOTE: When making cuts at 56°, the blade should be set at full depth of cut.

Since blade thicknesses vary and different angles require different settings, always make a trial cut in scrap material along a guideline to determine how much you should offset the guideline on the board to be cut.

When making a bevel cut, hold the saw firmly with both hands.

Rest the front edge of the base on the workpiece. Depress the lock-off button and squeeze the switch trigger to start the saw. Always let the blade reach full speed, then guide the saw into the workpiece.

WARNING:

The blade coming in contact with the workpiece before it reaches full speed could cause saw to “kickback” toward you resulting in serious injury.

OPERATION

After you complete your cut release the trigger and allow the blade to come to a complete stop. After the blade has stopped, lift the saw from the workpiece.

TO ADJUST BEVEL SETTING

See Figure 18, page 15.

- Remove the battery pack from the saw.
- Rotate bevel lock lever counterclockwise until the motor housing moves freely.
- Raise the motor housing end of the saw until you reach the desired angle setting on the bevel scale (0-56°).

NOTE: There are detents in the bevel scale to make it easier to set the blade angle at 45°, 30°, 22.5°, or 15°.

- Rotate the bevel lock lever clockwise until the motor housing is securely locked in place.

WARNING:

Attempting a bevel cut without having the bevel lock lever securely locked in place can result in serious injury.

POCKET CUTTING

See Figure 20, page 15.

WARNING:

Always adjust bevel setting to zero before making a pocket cut. Attempting a pocket cut at any other setting can result in loss of control of the saw possibly causing serious injury.

- Adjust the bevel setting to zero.
- Set the blade to the correct blade depth setting.
- Swing the lower blade guard up using the lower blade guard handle.

ADJUSTMENTS

POSITIVE 0° BEVEL STOP

See Figure 21, page 15.

The saw has a positive 0° bevel stop that has been factory adjusted to assure 0° angle of the saw blade when making 0° cuts. However, misalignment can occur during shipping.

To check positive 0° bevel stop:

- Remove the battery pack from the saw.
- Place the saw in an upside down position on a workbench.
- Move the lower blade guard out of the way so that the saw blade is exposed.
- Check the squareness of the saw blade to the base of the saw using a combination square.

NOTE: Always raise the lower blade guard with the handle to avoid serious injury.

- Hold the lower blade guard by the handle.
-

WARNING:

Never extend your fingers while holding the lower blade guard handle. Extending your fingers may result in contact with the blade, causing serious injury.

- Rest the front of the base flat against the workpiece with the rear of the handle raised so the blade does not touch the workpiece.
-

DANGER:

Always check to insure that your fingers are clear of the blade before depressing the switch trigger. Contact with the blade will cause serious injury.

- Depress the lock-off button and squeeze the switch trigger to start the saw. Always let the blade reach full speed then slowly lower blade into the workpiece until base is flat against workpiece.
 - Guide the saw into the workpiece and make the cut.
-

WARNING:

Always cut in a forward direction when pocket cutting. Cutting in the reverse direction could cause the saw to climb up on the workpiece and back toward you.

- Release the trigger and allow the blade to come to a complete stop.
 - Lift the saw from the workpiece.
 - Clear corners out with a hand saw or jig saw.
-

To adjust positive 0° bevel stop:

- Remove the battery pack from the saw.
 - Rotate the bevel lock lever counterclockwise to release.
 - Turn TORX® T-8 adjustment screw (not included) with TORX® T-8 wrench (not included) and adjust base until it is square with the saw blade.
 - Securely lock the bevel lock lever.
-

WARNING:

Attempting a bevel cut without having the bevel lock lever securely locked in place can result in serious injury.

MAINTENANCE

⚠ WARNING:

When servicing, use only identical replacement parts. Use of any other parts could create a hazard or cause product damage.

GENERAL MAINTENANCE

Avoid using solvents when cleaning plastic parts. Most plastics are susceptible to damage from various types of commercial solvents and may be damaged by their use. Use clean cloths to remove dirt, dust, oil, grease, etc.

ACCESSORIES

Look for these accessories where you purchased this product:

- Edge Guide202050004
-

⚠ WARNING:

Current attachments and accessories available for use with this tool are listed above. Do not use any attachments or accessories not recommended by the manufacturer of this tool. The use of attachments or accessories not recommended can result in serious personal injury.

CALIFORNIA PROPOSITION 65

⚠ WARNING:

This product and some dust created by power sanding, sawing, grinding, drilling, and other construction activities may contain chemicals, including lead, known to the State of California to cause cancer, birth defects, or other reproductive harm. ***Wash hands after handling.***

Some examples of these chemicals are:

- lead from lead-based paints,
- crystalline silica from bricks and cement and other masonry products and,
- arsenic and chromium from chemically treated lumber.

Your risk from exposure to these chemicals varies, depending on how often you do this type of work. To reduce your exposure, work in a well-ventilated area and with approved safety equipment, such as dust masks that are specially designed to filter out microscopic particles.

ILLUSTRATIONS START ON PAGE 12 AFTER FRENCH AND SPANISH LANGUAGE SECTIONS.

This product has a 90-day satisfaction guarantee policy, as well as a three-year limited warranty. For warranty and policy details, please go to www.RIDGID.com or call (toll free) 1-866-539-1710.

AVERTISSEMENTS DE SÉCURITÉ RELATIVES AUX OUTILS ÉLECTRIQUES



AVERTISSEMENT

Lire tous les avertissements et toutes les instructions. Ne pas suivre l'ensemble des avertissements et des instructions peut entraîner une électrocution, un incendie ou des blessures graves.

Conserver les avertissements et les instructions à des fins de référence ultérieure. Le terme « outil motorisé », utilisé dans tous les avertissements ci-dessous désigne tout outil fonctionnant sur secteur (câblé) ou sur piles (sans fil).

SÉCURITÉ DU LIEU DE TRAVAIL

- **Garder le lieu de travail propre et bien éclairé.** Les endroits encombrés ou sombres sont propices aux accidents.
- **Ne pas utiliser d'outils électriques dans des atmosphères explosives, par exemple en présence de liquides, gaz ou poussières inflammables.** Les outils électriques produisent des étincelles risquant d'enflammer les poussières ou vapeurs.
- **Garder les enfants et badauds à l'écart pendant l'utilisation d'un outil électrique.** Les distractions peuvent causer une perte de contrôle.

SÉCURITÉ ÉLECTRIQUE

- **Les fiches des outils électriques doivent correspondre à la prise secteur utilisée. Ne jamais modifier la fiche, de quelque façon que ce soit. Ne jamais utiliser d'adaptateurs de fiche avec des outils mis à la terre.** Les fiches et prises non modifiées réduisent le risque de choc électrique.
- **Éviter tout contact du corps avec des surfaces mises à la terre, telles que tuyaux, radiateurs, cuisinières et réfrigérateurs.** Le risque de choc électrique est accru lorsque le corps est mis à la terre.
- **Ne pas exposer les outils électriques à l'eau ou l'humidité.** La pénétration d'eau dans ces outils accroît le risque de choc électrique.
- **Ne pas maltraiter le cordon d'alimentation. Ne jamais utiliser le cordon d'alimentation pour transporter l'outil et ne jamais débrancher ce dernier en tirant sur le cordon. Garder le cordon à l'écart de la chaleur, de l'huile, des objets tranchants et des pièces en mouvement.** Un cordon endommagé ou emmêlé accroît le risque de choc électrique.
- **Pour les travaux à l'extérieur, utiliser un cordon spécialement conçu à cet effet.** Utiliser un cordon conçu pour l'usage extérieur pour réduire les risques de choc électrique.
- **S'il est nécessaire d'utiliser l'outil électrique dans un endroit humide, employer un dispositif interrupteur de défaut à la terre (GFCI).** L'utilisation d'un GFCI réduit le risque de décharge électrique.
- **Ne recharger les piles qu'avec l'appareil indiqué. Pour utiliser l'appareil avec des piles au nickel-cadmium et au lithium-ion de 18 V, consulter le supplément de raccordement pour chargeur/outils/piles/appareil n° 988000-302.**

SÉCURITÉ PERSONNELLE

- **Rester attentif, prêter attention au travail et faire preuve de bon sens lors de l'utilisation de tout outil électrique. Ne pas utiliser cet outil en état de fatigue ou sous l'influence de l'alcool, de drogues ou de médicaments.** Un moment d'inattention pendant l'utilisation d'un outil électrique peut entraîner des blessures graves.
- **Utiliser l'équipement de sécurité. Toujours porter une protection oculaire.** L'équipement de sécurité, tel qu'un masque filtrant, de chaussures de sécurité, d'un casque ou d'une protection auditive, utilisé dans des conditions appropriées réduira le risque de blessures.
- **Éviter les démarrages accidentels. S'assurer que le commutateur est en position d'arrêt avant de brancher l'outil.** Porter un outil avec le doigt sur son commutateur ou brancher un outil dont le commutateur est en position de marche peut causer un accident.
- **Retirer les clés de réglage avant de mettre l'outil en marche.** Une clé laissée sur une pièce rotative de l'outil peut causer des blessures.
- **Ne pas travailler hors de portée. Toujours se tenir bien campé et en équilibre.** Ceci permettra de mieux contrôler l'outil en cas de situation imprévue.
- **Porter une tenue appropriée. Ne porter ni vêtements amples, ni bijoux. Garder les cheveux, les vêtements et les gants à l'écart des pièces en mouvement.** Les vêtements amples, bijoux et cheveux longs peuvent se prendre dans les pièces en mouvement.
- **Si les outils sont équipés de dispositifs de dépoussiérage, s'assurer qu'ils sont connectés et correctement utilisés.** L'usage de ces dispositifs de dépoussiérage peut réduire les dangers présentés par la poussière.
- **Ne porter ni vêtements amples, ni bijoux. Attacher ou couvrir les cheveux longs.** Les vêtements amples, bijoux et cheveux longs peuvent se prendre dans les ouïes d'aération.
- **Ne pas utiliser l'outil sur une échelle ou un support instable.** Une bonne tenue et un bon équilibre permettent de mieux contrôler l'outil en cas de situation imprévue.

UTILISATION ET ENTRETIEN DES OUTILS ÉLECTRIQUES

- **Ne pas forcer l'outil. Utiliser l'outil approprié pour l'application.** Un outil approprié exécutera le travail mieux et de façon moins dangereuse s'il est utilisé dans les limites prévues.
- **Ne pas utiliser l'outil si le commutateur ne permet pas de le mettre en marche ou de l'arrêter.** Tout outil qui ne peut pas être contrôlé par son commutateur est dangereux et doit être réparé.
- **Débrancher l'outil et/ou retirer le bloc-piles avant d'effectuer des réglages, de changer d'accessoire ou de remiser l'outil.** Ces mesures de sécurité préventives réduisent les risques de démarrage accidentel de l'outil.
- **Ranger les outils motorisés hors de la portée des enfants et ne laisser personne n'étant pas familiarisé avec l'outil ou ces instructions utiliser l'outil.** Dans les mains de personnes n'ayant pas reçu des instructions adéquates, les outils sont dangereux.

AVERTISSEMENTS DE SÉCURITÉ RELATIVES AUX OUTILS ÉLECTRIQUES

- **Entretien des outils motorisés.** Vérifier qu'aucune pièce mobile n'est mal alignée ou bloquée, qu'aucune pièce n'est brisée et s'assurer qu'aucun autre problème ne risque d'affecter le bon fonctionnement de l'outil. En cas de dommages faire réparer l'outil avant de l'utiliser de nouveau. Beaucoup d'accidents sont causés par des outils mal entretenus.
- **Garder les outils bien affûtés et propres.** Des outils correctement entretenus et dont les tranchants sont bien affûtés risquent moins de se bloquer et sont plus faciles à contrôler.
- **Utiliser l'outil, les accessoires et embouts, etc. conformément à ces instructions pour les applications pour lesquelles ils sont conçus, en tenant compte des conditions et du type de travail à exécuter.** L'usage d'un outil motorisé pour des applications pour lesquelles il n'est pas conçu peut être dangereux.

UTILISATION ET ENTRETIEN DE LA PILE

- **Ne recharger qu'avec l'appareil spécifié par le fabricant.** Un chargeur approprié pour un type de pile peut créer un risque d'incendie s'il est utilisé avec un autre type de pile.
- **Utiliser exclusivement le bloc-pile spécifiquement indiqué pour l'outil.** L'usage de tout autre bloc peut créer un risque de blessures et d'incendie.

- **Lorsque le bloc-piles n'est pas en usage, le garder à l'écart d'articles tels qu'attaches trombones, pièces de monnaie, clous, vis ou autres petits objets métalliques risquant d'établir le contact entre les deux bornes.** La mise en court-circuit des bornes de piles peut causer des étincelles, des brûlures ou un incendie.
- **En cas d'usage abusif, du liquide peut s'échapper des piles. Éviter tout contact avec ce liquide. En cas de contact accidentel, rincer immédiatement les parties atteintes avec de l'eau. En cas d'éclaboussure dans les yeux consulter un médecin.** Le liquide s'échappant des piles peut causer des irritations ou des brûlures.

DÉPANNAGE

- **Les réparations doivent être confiées à un technicien qualifié, utilisant exclusivement des pièces identiques à celles d'origine.** Ceci assurera le maintien de la sécurité de l'outil.
- **Utiliser exclusivement des pièces identiques à celles d'origine pour les réparations. Se conformer aux instructions de la section Entretien de ce manuel.** L'usage de pièces non autorisées ou le non-respect des instructions peut présenter des risques de choc électrique ou de blessures.

AVERTISSEMENTS DE SÉCURITÉ RELATIFS AU SCIE CIRCULAIRE

MÉTHODE DE COUPE

DANGER :

Garder les mains à l'écart de la zone de coupe et de la lame. Garder la deuxième main sur la poignée auxiliaire ou le boîtier du moteur. Lorsque les mains sont utilisées pour tenir la scie, elle ne risquent pas d'être coupées par la lame.

- **Ne pas passer les mains au-dessous de la pièce à couper.** La garde de lame n'offre aucune protection au-dessous de la pièce à couper.
- **Ajuster la profondeur de coupe en fonction de l'épaisseur de la pièce à travailler.** Sous la pièce à travailler, on devrait pouvoir distinguer moins d'une dent entière parmi celles de la lame.
- **Ne jamais tenir une pièce en train d'être coupée à la main ou posée sur la jambe. Immobiliser la pièce à travailler sur une surface stable.** Il est essentiel de soutenir correctement la pièce à couper pour éviter les risques de coupure, de blocage de la lame et de perte du contrôle.
- **Tenir l'outil par ses surfaces de préhension isolées lors des opérations pendant lesquelles l'accessoire de coupe peut entrer en contact avec du câblage caché.** Le contact avec un fil sous tension « électrifie » les pièces métalliques exposées de l'outil, ce qui peut électrocuter l'utilisateur.
- **Pour la refente, toujours utiliser un guide longitudinal ou une règle.** Ceci accroît la précision de la coupe et réduit le risque de blocage de la lame.

- **Toujours utiliser des lames dont l'alésage central est de dimension et de forme adéquates (ruban à tranchant au diamant ou lame ronde).** Une lame incompatible avec la quincaillerie de montage de la scie tournerait en faux rond, causant la perte du contrôle.
- **Ne jamais utiliser de rondelles ou boulon de lame incorrects ou endommagés.** Les rondelles et boulon de lame fournis sont conçus spécialement pour assurer une efficacité et une sécurité maximum.

CAUSES DES EFFETS DE REBOND ET AUTRES AVERTISSEMENTS

- Le rebond est une réaction soudaine, causée par une lame coincée, bloquée ou mal alignée et projetant la scie hors de la pièce coupée vers le haut, en direction de l'opérateur;
- Lorsque la lame est pincée ou bloquée par la fermeture du trait de coupe, elle se bloque et la force du moteur projette la scie en direction de l'opérateur;
- Si la lame dévie dans le trait de coupe, les dents de l'arrière risquent de mordre la surface de la planche, causant la projection de la lame hors du bois, en direction de l'opérateur.

Une mauvaise utilisation de la scie peut entraîner un rebond et/ou des méthodes de travail incorrectes et il peut être évité en prenant les précautions suivantes :

- **Tenir fermement la scie avec les deux mains et positionner les bras de manière à pouvoir résister aux rebonds. Se tenir d'un côté de lame, et non dans la trajectoire de celle-ci.** Le rebond peut causer un recul brutal de la scie, mais s'il prend les précautions nécessaires, l'utilisateur peut contrôler la force du rebond.

AVERTISSEMENTS DE SÉCURITÉ RELATIFS AU SCIE CIRCULAIRE

- Si la lame se bloque ou si la coupe est interrompue pour une raison quelconque, relâcher la gâchette et maintenir la lame dans le trait de coupe jusqu'à ce qu'elle ait complètement cessé de tourner. Pour éviter un rebond, ne jamais essayer de retirer la scie de la pièce ou de la tirer en arrière pendant que la lame est en rotation. Déterminer et éliminer la cause du blocage de la lame.
- Avant de remettre la scie en marche en cours de coupe, centrer la lame dans le trait de scie et s'assurer que les dents ne mordent pas dans le bois. Si la lame est bloquée, elle peut causer un rebond et l'éjection du trait de coupe lorsque la scie est remise en marche.
- Soutenir les planches longues afin d'éviter les risques de pincement de la lame et de rebond. Les planches de grande taille ont tendance à ployer sous leur propre poids. Des supports doivent être placés sous la planche, de chaque côté, près du trait de coupe et du bord de la planche.
- Ne pas utiliser de lames émoussées ou endommagées. Une lame émoussée ou incorrectement réglée produit un trait de scie étroit, causant le pincement de la lame et le rebond.
- Les leviers de réglage de profondeur et d'angle de coupe doivent être fermement serrés et assujettis avant de commencer la coupe. Si la lame se dérègle en cours de coupe, elle peut se bloquer et causer un rebond.
- Soyez particulièrement prudent lors du sciage dans des murs existants ou dans d'autres endroits obscurs. La lame peut heurter des objets ou matériaux causant un rebond.

FUNCTION DE L'ÉCRAN PROTECTEUR INFÉRIEUR




- Avant chaque utilisation, s'assurer que la garde inférieure se ferme correctement avant chaque utilisation. Ne pas utiliser la scie si la garde ne fonctionne pas librement ou ne se ferme pas instantanément. Ne jamais bloquer la garde inférieure en position ouverte. En cas de chute accidentelle de la scie, la garde inférieure peut se déformer. Relever la garde inférieure avec la poignée de rétraction et vérifier qu'elle fonctionne librement et ne touche ni la lame, ni aucune autre pièce, quelle que soit l'angle ou la profondeur de coupe.
- Vérifier le fonctionnement du ressort de la garde inférieure. Tout problème de fonctionnement de la garde et du ressort doit être corrigé avant d'utiliser la scie. Des pièces endommagées, des résidus gommeux et les accumulations de débris peuvent ralentir le fonctionnement de la garde inférieure.
- La garde doit être rétractée manuellement seulement pour des coupes spéciales comme des « coupes plongeantes » ou des « coupes combinées. » Relever le protège-lame avec la poignée de rétraction puis relâcher-le dès que la lame pénètre dans le matériau. La garde inférieure opérera automatiquement pour toutes les autres coupes.
- Toujours s'assurer que la garde inférieure couvre la lame avant de poser la scie sur le sol ou un établi. Une lame non protégée tournant en roue libre causerait un mouvement en arrière de la scie, qui couperait tout ce qui se trouve sur son passage. Tenir compte du temps nécessaire à l'arrêt complet de la lame une fois que la gâchette est relâchée.

RÈGLES SUPPLÉMENTAIRES DE SÉCURITÉ







- Utiliser des serre-joint ou un autre système approprié pour maintenir fermement la pièce sur une surface stable. Une pièce tenue à la main ou contre son corps est instable et peut causer une perte de contrôle.
- Toujours porter une protection oculaire munie d'écrans latéraux certifiée conforme à la norme ANSI Z87.1 lors du montage des pièces, du fonctionnement de l'outil ou au moment de l'entretien. Le respect de cette consigne réduira les risques de blessures graves.
- Protection respiratoire. Porter un masque facial ou un masque anti-poussière si le travail produit de la poussière. Le respect de cette consigne réduira les risques de blessures graves.
- Protection auditive. Porter une protection auditive lors de l'utilisation prolongée. Le respect de cette règle réduira les risques de blessures graves.
- Les outils fonctionnant sur batteries n'ayant pas besoin d'être branchés sur une prise secteur, ils sont toujours en état de fonctionnement. Tenir compte des dangers possibles lorsque l'outil n'est pas en usage et lors du remplacement des batteries. Le respect de cette règle réduira les risques d'incendie, de choc électrique et de blessures graves.
- Ne pas placer les outils électriques sans fil ou leurs batteries à proximité de flammes ou d'une source de chaleur. Ceci réduira les risques d'explosion et de blessures.
- Ne pas écraser, faire tomber ou endommager le bloc-piles. Ne jamais utiliser un bloc-piles ou un chargeur qui est tombé, a été écrasé, a reçu un choc violent ou a été endommagé de quelque façon que ce soit. Une pile endommagée risque d'exploser. Éliminer immédiatement toute pile endommagée, selon une méthode appropriée.
- Les piles peuvent exploser en présence d'une source d'allumage comme la veilleuse d'allumage. Pour réduire les risques de blessures graves, ne jamais utiliser un appareil sans fil, quel qu'il soit, en présence d'une flamme vive. En explosant, une batterie peut projeter des débris et des produits chimiques. En cas d'exposition, rincer immédiatement les parties atteintes avec de l'eau.
- Ne pas recharger un outil fonctionnant sur batteries dans un endroit humide ou mouillé. Le respect de cette règle réduira les risques de choc électrique.
- Pour obtenir de meilleurs résultats, il importe de charger l'outil dans un endroit où la température est de plus de 10 °C (50 °F) mais de moins de 37 °C (100 °F). Pour réduire les risques de blessures graves, ne pas entreposer l'outil à l'extérieur ou dans un véhicule.
- Si l'outil est utilisé de façon intensive ou sous des températures extrêmes, une fuite de la pile peut se produire. Laver immédiatement tout liquide en contact avec la peau avec de l'eau et du savon. En cas d'éclaboussure dans les yeux, les rincer à l'eau fraîche pendant au moins 10 minutes, puis consulter immédiatement un médecin. Le respect de cette consigne réduira les risques de blessures graves.
- Conserver ces instructions. Les consulter fréquemment et les utiliser pour instruire les autres utilisateurs éventuels. Si cet produit est prêté, il doit être accompagné de ces instructions.

SYMBOLES

Les termes de mise en garde suivants et leur signification ont pour but d'expliquer le degré de risques associé à l'utilisation de ce produit.

SYMBOLE	SIGNAL	SIGNIFICATION
	DANGER :	Indique une situation extrêmement dangereuse qui, si elle n'est pas évitée, aura pour conséquences des blessures graves ou mortelles.
	AVERTISSEMENT :	Indique une situation potentiellement dangereuse qui, si elle n'est pas évitée, pourrait entraîner des blessures graves ou mortelles.
	ATTENTION :	Indique une situation potentiellement dangereuse qui, si elle n'est pas évitée, pourrait entraîner des blessures légères ou de gravité modérée.
	AVIS :	(Sans symbole d'alerte de sécurité) Indique une information importante ne concernant pas un risque de blessure comme une situation pouvant occasionner des dommages matériels.

Certains des symboles ci-dessous peuvent être utilisés sur produit. Veiller à les étudier et à apprendre leur signification. Une interprétation correcte de ces symboles permettra d'utiliser produit plus efficacement et de réduire les risques.

SYMBOLE	NOM	DÉSIGNATION / EXPLICATION
	Symbole d'alerte de sécurité	Indique un risque de blessure potentiel.
	Lire le manuel d'utilisation	Pour réduire les risques de blessures, l'utilisateur doit lire et veiller à bien comprendre le manuel d'utilisation avant d'utiliser ce produit.
	Protection oculaire et auditive	Toujours porter une protection oculaire avec écrans latéraux certifiée conforme à la norme ANSI Z87.1 ainsi qu'une protection auditive.
	Avertissement concernant l'humidité	Ne pas exposer à la pluie ou l'humidité.
	Symbole Mains à l'écart	Le non-respect de cette mise en garde peut entraîner des blessures graves.
	Symboles de recyclage	Ce produit utilise les piles de nickel-cadmium (Ni-Cd) ou lithium-ion (Li-ion). Les réglementations locales ou gouvernementales peuvent interdire de jeter les piles dans les ordures ménagères. Consulter les autorités locales compétentes pour les options de recyclage et/ou l'élimination.
V	Volts	Tension
A	Ampères	Intensité
Hz	Hertz	Fréquence (cycles par seconde)
min	Minutes	Temps
≡	Courant continu	Type ou caractéristique du courant
n_0	Vitesse à vide	Vitesse de rotation à vide
.../min	Par minute	Tours, coups, vitesse périphérique, orbites, etc., par minute

CARACTÉRISTIQUES

FICHE TECHNIQUE

Diamètre de la lame..... 184 mm (7-1/4 po)
Axe de lame..... 16 mm (5/8 po)
Profondeur de coupe à 0 ° 61,9 mm (2-7/16 po)

Profondeur de coupe à 45 ° 46,8 mm (1-27/32 po)
Vitesse à vide 3 700 r/min. (RPM)
Moteur 18 V c.c.

ASSEMBLAGE

DÉBALLAGE

Ce produit doit être assemblé.

- Avec précaution, sortir l'outil et les accessoires de la boîte. S'assurer que toutes les pièces figurant sur la liste de contrôle sont incluses.

AVERTISSEMENT :

Ne pas utiliser le produit si, en le déballant, vous constatez que des éléments figurant dans la liste de inclut sont déjà assemblés. Certaines pièces figurant sur cette liste n'ont pas été assemblées par le fabricant et exigent une installation. Le fait d'utiliser un produit qui a été assemblé de façon inadéquate peut entraîner des blessures.

- Si des pièces sont manquantes ou endommagées, appeler le 1-866-539-1710.

AVERTISSEMENT :

Si des pièces manquent ou sont endommagées, ne pas utiliser cet outil avant qu'elles aient été remplacées. Le fait d'utiliser ce produit même s'il contient des pièces endommagées ou s'il lui manque des pièces peut entraîner des blessures graves.

AVERTISSEMENT :

Ne pas essayer de modifier cet outil ou de créer des accessoires non recommandés pour l'outil. De telles altérations ou modifications sont considérées comme un usage abusif et peuvent créer des conditions dangereuses pouvant entraîner des blessures graves.

INSTALLATION DE LA LAME

Voir la figure 1, page 12.

AVERTISSEMENT :

La taille maximum de lame pouvant être utilisée sur cette scie est de 184 mm (7-1/4 po). Ne jamais utiliser une lame trop épaisse pour permettre à la rondelle extérieure de la lame de s'engager sur les méplats de la broche. Des lames de plus grand diamètre toucheraient la garde et des lames trop épaisses ne pourraient pas être maintenues sur la broche par le boulon. Ces deux situations peuvent causer un accident grave.

- Retirer le bloc-pile de la scie.
- Retirer la clé de lame (clé hexagonale de 6 mm) du compartiment de rangement.
- Appuyer sur le bouton de verrouillage de la broche retirer le boulon de lame et la rondelle extérieure.

NOTE : Tourner le boulon de lame vers la gauche pour le retirer.

AVIS :

Pour éviter des dommages à la broche et à son verrouillage, toujours laisser le moteur s'arrêter complètement avant d'engager le verrouillage.

NOTE : Ne pas utiliser la scie circulaire avec le verrouillage de broche engagé.

- Appliquer une mince couche d'huile sur la surface de contact des rondelles intérieure et extérieure avec la lame.

AVERTISSEMENT :

Si la rondelle de lame intérieure a été retirée, la remettre en place avant d'installer la lame sur la broche. L'absence de cette pièce pourrait causer un accident, car la lame ne serait pas correctement serrée.

- Relever la garde de lame inférieure.
- Engager la lame dans la garde inférieure et sur la broche.
NOTE : Les dents doivent être orientées vers le haut à l'avant de la scie.
- Remettre la rondelle de lame extérieure en place.
- Appuyer sur le bouton de verrouillage de la broche et réinstaller le boulon de lame. Serrer fermement le bouton en le tournant vers la droite.
- Retourner la clé de lame de son compartiment.

RETRAIT DE LA LAME

Voir la figure 2, page 12.

- Retirer le bloc-pile de la scie.
- Retirer la clé de lame de son compartiment.
- Positionner la scie comme illustré, appuyer sur le bouton de verrouillage de la broche retirer le boulon de lame en le tournant vers la gauche.
- Retirer la rondelle extérieure de la lame.
- Relever la garde de lame inférieure.
- Retirer la lame.

UTILISATION

DANGER :

Garder les mains à l'écart de la zone de coupe et de la lame. Garder la deuxième main sur la poignée auxiliaire ou le boîtier du moteur. Lorsque les mains sont utilisées pour tenir la scie, elle ne risquent pas d'être coupées par la lame.

AVERTISSEMENT :

Ne pas laisser la familiarité avec l'outil faire oublier la prudence. Ne pas oublier qu'une fraction de seconde d'inattention peut entraîner des blessures graves.

AVERTISSEMENT :

Toujours retirer la bloc-pile de l'outil au moment d'assembler des pièces, d'effectuer des réglages et de procéder au nettoyage, ou lorsque l'outil n'est pas utilisé. Si cette précaution n'est pas prise, des objets peuvent être projetés dans les yeux et causer des lésions graves.

AVERTISSEMENT :

Toujours porter une protection oculaire certifiée conforme à la norme ANSI Z87.1 ainsi qu'une protection auditive. Si cette précaution n'est pas prise, des objets peuvent être projetés dans les yeux et causer d'autres blessures graves.

AVERTISSEMENT :

Ne pas utiliser d'outils ou accessoires non recommandés par le fabricant pour cet outil. L'utilisation de pièces et accessoires non recommandés pouvant entraîner des blessures graves.

APPLICATIONS

Cet outil peut être utilisé pour les applications ci-dessous :

- Coupe de tous types de produits du bois (planches, contre-plaqué, lambrissage)
- Coupes transversales et refente de produits du bois
- Coupes en biseau de produits du bois
- Évidements de produits du bois

AVERTISSEMENT :

Ne jamais utiliser aucune sorte de meules abrasives avec cette scie. L'utilisation de lames autres que pour le bois peut causer des dommages à la propriété ou des blessures graves.

INSTALLATION/RETRAIT DU BLOC-PILE

Voir la figure 3, page 13.

- Insérer le bloc-pile dans la scie. Aligner la nervure du bloc-pile sur la rainure intérieure de la scie et insérer le bloc-pile dans l'outil.
- S'assurer que ses deux loquets latéraux s'engagent correctement et vérifier que le bloc est solidement assujéti avant d'utiliser l'outil.
- Relâcher les loquets pour retirer le bloc-pile.

Pour prendre connaissance des consignes de chargement, consulter le manuel d'utilisation des piles et des chargeurs.

AVERTISSEMENT :

Les outils à piles sont toujours en état de fonctionnement. Il est donc nécessaire de toujours verrouiller la gâchette lorsque l'outil n'est pas en usage et pendant son transport.

REBOND

Voir les figures 4 à 7, les page 13.

On appelle rebond la projection brusque de la scie en direction de l'opérateur, causée par un blocage soudain de la lame. Le blocage de la lame est causée par son pincement dans le bois.

AVERTISSEMENT :

Si la lame se bloque ou la scie cale, relâcher immédiatement la gâchette. Un rebond peut causer la perte de contrôle de la scie. La perte du contrôle peut entraîner des blessures graves.

Pour réduire les risques de rebond, éviter les actions dangereuses, telles que celles décrites ci-dessous :

- Réglage incorrect de la profondeur de coupe.
- Sciage de nœuds ou de clous dans le bois.
- Déviation de la lame en cours de coupe.
- Coupe avec une lame émoussée, encrassée ou mal réglée.
- Support incorrect de la pièce à couper.
- Coupe forcée.
- Coupe de planches humides ou voilées.
- Utilisation incorrecte ou abusive de l'outil.

Pour réduire les risques de rebond, prendre les précautions suivantes :

- Maintenir un réglage de profondeur de coupe correct. Sous la pièce à travailler, on devrait pouvoir distinguer moins d'une dent entière parmi celles de la lame.
- S'assurer de l'absence de nœuds ou de clous dans le bois avant de scier. Ne jamais scier de nœuds ou de clous.
- Effectuer des coupes droites. Toujours utiliser un guide pour le sciage en long. Ceci évite la déviation de la lame.
- Utiliser des lames propres, bien affûtées et correctement réglées. Ne jamais couper avec une lame émoussée.
- Soutenir et bloquer la pièce avant de commencer la coupe.
- Appliquer une pression constante et régulière sur la scie. Ne jamais forcer la scie.

UTILISATION

- Ne pas couper de planches humides ou voilées.
- Toujours laisser la lame parvenir à sa vitesse maximum avant de commencer la coupe.
- Tenir la scie fermement à deux mains et se tenir bien campé afin de pouvoir la maîtriser en cas de rebond.

AVERTISSEMENT :

Lors de l'utilisation de la scie, toujours être attentif en en contrôle de la scie. Ne pas retirer la scie de la pièce avant arrêt complet de la lame.

LAMES DE SCIE

La meilleure des lames ne coupera efficacement que si elle est propre, bien affûtée et correctement installée. L'usage d'une lame émoussée impose une forte charge sur la scie et accroît le risque de rebond. Garder des lames de rechange à portée de la main afin de toujours disposer d'un outil affûté.

Les résidus gommeux et la résine séchés sur la lame causent également un ralentissement de la scie. Retirer la lame de la scie et éliminer ces résidus avec un produit spécialement conçu à cet effet, de l'eau chaude ou du kérosène. **NE PAS UTILISER DE L'ESSENCE.**

SYSTÈME DE GARDE DE LAME

Voir la figure 8, page 13.

La garde de lame inférieure de la scie circulaire est conçue pour assurer la protection et la sécurité de l'utilisateur. Ne pas la modifier, pour quelque raison que ce soit. Si elle est endommagée, ne plus utiliser la scie jusqu'à ce qu'elle ait été réparée ou remplacée. Toujours laisser la garde en position de fonctionnement lors de l'utilisation de la scie.

DANGER :

Lors de la coupe traversante, la garde inférieure ne protège pas la partie de la lame se trouvant au-dessous de la planche. De ce fait, il est impératif de garder les mains à l'écart de la zone de coupe et de la lame. Le contact de toute partie du corps avec la lame peut causer des blessures graves.

AVERTISSEMENT :

Pour éviter des blessures graves, ne jamais utiliser la scie si la garde ne fonctionne pas correctement. Vérifier le fonctionnement de la lame avant chaque utilisation. La garde fonctionne correctement lorsqu'elle pivote librement et retourne immédiatement en position fermée. En cas de chute de la scie, examiner la garde de lame inférieure et le butoir, ainsi que les réglages de profondeur de coupe avant de l'utiliser de nouveau.

AVERTISSEMENT :

Ne jamais bloquer la garde en position relevée. La lame exposée pourrait infliger des blessures graves.

Si, quelle que soient les circonstances, la garde ne se referme pas instantanément, retirer le bloc de piles de la scie. Ouvrir et fermer complètement et rapidement la garde plusieurs fois. Normalement cela rétablit son bon fonctionnement. Si le problème n'est pas corrigé et si la garde se referme lentement, ne pas utiliser la scie. La confier à un centre de réparations agréé.

MISE EN MARCHÉ ET ARRÊT DE LA SCIE

Voir la figure 9, page 13.

Pour mettre la scie en marche :

- Appuyer sur le bouton de verrouillage.
- Appuyer sur la gâchette.

Toujours laisser la lame parvenir à sa vitesse maximum avant de l'engager dans le bois.

AVERTISSEMENT :

La mise en contact avec le bois d'une lame ne tournant pas à pleine vitesse peut causer un rebond risquant d'entraîner des blessures graves.

Pour arrêter la scie, relâcher la gâchette.

Une fois la gâchette relâchée laisser la lame parvenir à l'arrêt complet. **Ne pas retirer la scie de la pièce avant arrêt complet de la lame.**

BOUTON DE VERROUILLAGE

Voir la figure 9, page 13.

Cette scie est équipée d'un bouton de verrouillage pour réduire le risque de démarrage accidentel. Ce bouton se trouve sur la poignée, au-dessus de la gâchette. Le bouton de verrouillage doit être verrouillé avant d'appuyer sur la gâchette. Le bouton se désengage automatiquement lorsque la gâchette est relâchée.

NOTE : Le bouton de verrouillage peut être appuyé par la droite ou la gauche.

LEVIERS D'INDEXATION

Voir la figure 10, page 14.

Les leviers de la scie peuvent être repositionnés pour obtenir une meilleure position de serrage.

- Tirer le levier hors de la scie et le mettre sur la position souhaitée.
- Remettre le levier en place.

RÉGLAGE DE LA PROFONDEUR DE COUPE

Voir la figure 11, page 14.

Toujours maintenir un réglage de profondeur de coupe correct. Sous la pièce à travailler, on devrait pouvoir distinguer moins d'une dent entière parmi celles de la lame. Un dépassement plus important augmente le risque de rebond et nuit à la netteté de la coupe.

- Retirer le bloc-pile de la scie.
- Tourner le levier de verrouillage de profondeur vers l'extérieur de la base.
- Déterminer la profondeur de coupe voulue.
- Tenir la base à plat contre la planche à couper et élever ou abaisser la scie de manière à ce que le repère du support s'aligne sur indication de profondeur ou le marque de la garde.

UTILISATION

- Tourner le levier de verrouillage de profondeur vers la base pour le verrouiller en place.

UTILISATION DE LA SCIE

Voir les figures 12 et 13, page 14.

Il est essentiel de comprendre la méthode correcte d'utilisation de la scie. Voir les illustrations de cette section montrant les façons correctes et incorrectes d'utiliser la scie.

AVERTISSEMENT :

Toujours garder le contrôle de la scie en tenant la scie avec les deux mains pour faciliter le travail et assurer la sécurité. Une perte de contrôle peut entraîner des blessures graves.

DANGER :

Lorsque la scie est retirée de la planche, la partie inférieure de la lame reste exposée jusqu'à ce que la garde inférieure se ferme. S'assurer que la garde inférieure est fermée avant de poser la scie.

AVERTISSEMENT :

Utiliser des serre-joint ou un autre système approprié pour maintenir fermement la pièce sur une surface stable. Soutenir une pièce avec une main ou contre le corps ne procure pas de stabilité et peut provoquer une perte de contrôle et occasionner des blessures graves.

Pour obtenir une qualité de coupe maximum :

- Tenir la scie fermement, à deux mains.
- Éviter de placer la main sur la pièce pendant la coupe.
- Soutenir la planche de manière à ce le trait de scie se trouve toujours sur le côté du corps.
- Soutenir la pièce à couper près du trait de scie.
- Assujettir la pièce solidement, afin qu'elle ne risque pas de bouger pendant la coupe.
- Toujours placer la scie sur la partie soutenue, pas sur la « chute ».
- Placer la pièce avec la « bonne » face vers le bas.
- Tracer la ligne de coupe désirée avant de commencer le travail.

COUPE TRANSVERSALE ET REFENTE

Voir les figures 14 et 15, page 14.

Pour effectuer une coupe transversale ou une refente, aligner la ligne de coupe sur l'encoche extérieure du guide de lame sur la base de la scie.

Différentes lames étant d'épaisseurs différentes, toujours effectuer un essai de coupe sur une chute le long d'un guide de coupe, afin de déterminer le déport éventuel du guide nécessaire pour obtenir une coupe précise.

NOTE : La distance séparant la ligne de coupe du guide est la distance dont le guide doit être déplacé.

- Immobiliser la pièce à travailler.
 - Assujettir une règle sur la pièce à couper, au moyen de serre-joints.
 - Suivre le guide pour assurer une coupe rectiligne.
- NOTE :** Ne pas coincer la lame dans le trait de scie.

UTILISANT UN GUIDE DE CHANT EN OPTION

Voir la figure 16, page 14.

Utiliser un guide de chant, pièce n°. 202050004, pour effectuer les coupes de grande longueur ou de grande largeur.

- Retirer le bloc-pile de la scie.
- Insérer le guide de chant (non compris) dans les fentes de la base de la scie.
- Régler le guide de chant sur la largeur requise.
- Serrer fermement la vis papillon.

Lors de l'utilisation d'un guide de chant, positionner la face du guide de chant fermement contre le bord de la pièce. Ceci permet d'obtenir une coupe droite sans pincer la lame. Le bord de guidage de la pièce doit être droit pour que la coupe soit droite. Veiller à éviter que la lame ne se coince dans la coupe.

COUPE EN BISEAU

Voir les figures 17 à 19, pages 14 et 15.

L'angle de coupe de la scie peut être réglé comme désiré, entre 0 et 56 °.

NOTE : Lors des coupes à 56°, la lame doit être réglée à la profondeur de coupe maximum.

Différentes lames étant d'épaisseurs différentes, et des angles différents nécessitant des réglages différents, toujours effectuer un essai de coupe sur une chute le long d'un guide de coupe, afin de déterminer le déport éventuel du guide nécessaire pour obtenir une coupe précise.

Tenir la scie fermement, à deux mains, lors de l'exécution de coupes en biseau.

Poser le bord avant de la base sur la pièce à couper. Appuyer sur le bouton de déverrouillage puis appuyer sur la gâchette pour mettre la scie en fonctionnement. Toujours laisser la lame parvenir à sa vitesse maximum avant de l'engager dans le bois.

AVERTISSEMENT :

La mise en contact avec le bois d'une lame ne tournant pas à pleine vitesse peut causer un rebond risquant d'entraîner des blessures graves.

Une fois la coupe terminée, relâcher la gâchette et laisser la lame parvenir à l'arrêt complet. Une fois la lame arrêtée, retirer la scie de la pièce.

RÉGLAGE DE COUPE EN BISEAU

Voir la figure 18, page 15.

- Retirer le bloc-pile de la scie.
- Tourner le levier de verrouillage de biseau dans le sens antihoraire jusqu'à ce que le boîtier du moteur bouge librement.
- Relever le côté boîtier du moteur de façon à obtenir l'angle désiré, indiqué par l'échelle graduée de la garde (0 - 56 °).

UTILISATION

NOTE : L'échelle de biseau comprend des crans d'arrêt qui permettent de régler plus facilement la lame à un angle de 45 °, 30 °, 22.5 °, ou 15 °.

- Tourner le levier de verrouillage de biseau pour verrouiller le boîtier du moteur solidement en place.

AVERTISSEMENT :

Ne pas essayer de pratiquer une coupe en biseau sans avoir vérifié que le levier de verrouillage de biseau est solidement verrouillé, sous peine de blessures graves.

ÉVIDEMENTS

Voir la figure 20, page 15.

AVERTISSEMENT :

Toujours mettre le réglage de biseau sur zéro avant de pratiquer un évidement. La découpe d'un évidement avec un quelconque autre réglage peut causer la perte de contrôle de la scie et entraîner des blessures graves.

- Régler l'angle de biseau sur zéro.
 - Régler la lame sur la profondeur de coupe correcte.
 - Relever la garde de lame inférieure au moyen de la poignée de la garde de lame inférieure.
- NOTE :** Toujours utiliser la poignée pour relever la garde de lame inférieure, pour éviter des blessures.
- Tenir le protège-lame inférieur par la poignée.

RÉGLAGES

RÉGLAGE DE LA BUTÉE FIXE DE BISEAU À 0°

Voir la figure 21, page 15.

La scie est dotée d'une butée de biseau positive de 0 ° qui a été réglée par le fabricant pour que l'angle de la lame soit à 0 ° lors des coupes à 0 °. L'outil peut toutefois être désaligné pendant le transport.

Vérification de la butée à 0 ° :

- Retirer le bloc-pile de la scie.
- Poser la scie à l'envers sur un établi.
- Écarter la garde de lame inférieure pour exposer la lame.
- Vérifier que la lame est à angle droit par rapport à la base de la scie au moyen d'une équerre combinée.

AVERTISSEMENT :

Ne jamais s'étendre les doigts pendant que tenant la poignée de garde de lame plus basse. Étendre vos doigts peuvent avoir pour résultat le contact avec la lame entraîner des blessures graves.

- Placer le devant de la base contre la pièce à couper et relever l'arrière de la scie pour empêcher que la lame ne touche le bois.

DANGER :

Toujours s'assurer que les doigts sont éloignés de la lame au moment d'appuyer sur la gâchette. Le contact avec la lame peut entraîner des blessures graves.

- Appuyer sur le bouton de déverrouillage puis appuyer sur la gâchette pour mettre la scie en fonctionnement. Toujours laisser la lame parvenir à sa vitesse maximum puis l'abaisser doucement dans la pièce jusqu'à ce que la base repose à plat sur la pièce.
- Engager la scie dans la pièce et effectuer la coupe.

AVERTISSEMENT :

Toujours couper vers l'avant lors des évidements. La coupe en arrière pourrait causer la projection de la scie en arrière, en direction de l'opérateur.

- Relâcher la gâchette et laisser la lame parvenir à l'arrêt complet.
- Retirer la scie de la pièce.
- Finir les coins avec une scie à main ou une scie sauteuse.

Réglage de la butée de biseau à 0 ° :

- Retirer le bloc de piles de la scie.
- Tourner le levier de verrouillage de biseau dans le sens antihoraire pour débloquer le mécanisme.
- Tourner la vis de TORX® T-8 (non fournie) et ajuster la lame de TORX® T-8 (non fournie) à la rendre perpendiculaire à la base.
- Bloquer fermement de levier de verrouillage de biseau.

AVERTISSEMENT :

Ne pas essayer de pratiquer une coupe en biseau sans avoir vérifié que le levier de verrouillage de biseau est solidement verrouillé, car cela présenterait des risques de blessures graves.

ENTRETIEN

AVERTISSEMENT :

Utiliser exclusivement des pièces d'origine pour les réparations. L'usage de toute autre pièce pourrait créer une situation dangereuse ou endommager l'produit.

ENTRETIEN GÉNÉRAL

Éviter d'utiliser des solvants pour le nettoyage des pièces en plastique. La plupart des matières plastiques peuvent être endommagées par divers types de solvants du commerce. Utiliser un chiffon propre pour éliminer la saleté, la poussière, l'huile, la graisse, etc.

ACCESSOIRES

Pour obtenir ces accessoires, s'adresser au revendeur après duquel vous avez acheté ce produit.

■ Guide de chant..... 202050004

AVERTISSEMENT :

Les outils et accessoires disponibles actuellement pour cet outil sont listés ci-dessus. Ne pas utiliser d'outils ou accessoires non recommandés pour cet outil. L'utilisation de pièces et accessoires non recommandés peut entraîner des blessures graves.

PROPOSITION 65 DE LA CALIFORNIE

AVERTISSEMENT :

Ce produit et la poussière dégagée lors du ponçage, sciage, meulage, perçage de certains matériaux et lors d'autres opérations de construction contient des produits chimiques reconnus causer le cancer, des malformations congénitales ou des lésions de l'appareil reproducteur. **Bien se laver les mains après toute manipulation.**

Voici certains exemples de ces produits chimiques :

- le plomb contenu dans la peinture au plomb,
- la silice cristalline contenue dans les briques, le béton et d'autres produits de maçonnerie, ainsi que
- l'arsenic et le chrome contenus dans le bois de construction traité par produits chimiques.

Le risque présenté par l'exposition à ces produits varie en fonction de la fréquence de ce type de travail. Pour réduire l'exposition, travailler dans un endroit bien aéré et utiliser des équipements de sécurité approuvés tels que masques antipoussière spécialement conçus pour filtrer les particules microscopiques.

ILLUSTRATIONS COMMENÇANT SUR 12 DE PAGE APRÈS LA SECTION ESPAÑOL.

Ce produit est accompagné d'une politique de satisfaction de 90 jours et d'une garantie limitée de trois (3) ans. Pour obtenir les détails de la garantie et de la politique, visiter le site www.RIDGID.com ou appeler (sans frais) au 1-866-539-1710.

ADVERTENCIAS DE SEGURIDAD PARA HERRAMIENTAS ELÉCTRICAS

ADVERTENCIA

Lea todas las advertencias de seguridad y las instrucciones. El incumplimiento de las advertencias e instrucciones puede ocasionar descarga eléctrica, fuego o lesiones graves.

Guarde todas las advertencias e instrucciones para futuras consultas. El término “herramienta eléctrica” empleado en todos los avisos de advertencia enumerados abajo se refiere a las herramientas eléctricas de cordón (alámbricas) y de baterías (inalámbricas).

SEGURIDAD EN EL ÁREA DE TRABAJO

- **Mantenga limpia y bien iluminada el área de trabajo.** Un área de trabajo mal despejada o mal iluminada propicia accidentes.
- **No utilice herramientas motorizadas en atmósferas explosivas, como las existentes alrededor de líquidos, gases y polvos inflamables.** Las herramientas eléctricas generan chispas que pueden encender el polvo y los vapores inflamables.
- **Mantenga alejados a los niños y circunstantes al maniobrar una herramienta eléctrica.** Toda distracción puede causar pérdida del control de la herramienta.

SEGURIDAD ELÉCTRICA

- **Las clavijas de las herramientas eléctricas deben corresponder a las tomas de corriente donde se conectan. Nunca modifique la clavija de ninguna forma. No utilice ninguna clavija adaptadora con herramientas eléctricas dotadas de contacto a tierra.** Conectando las clavijas originales en las tomas de corriente donde corresponden se disminuye el riesgo de una descarga eléctrica.
- **Evite el contacto del cuerpo con las superficies de objetos que estén haciendo tierra o estén conectados a ésta, como tuberías, radiadores, estufas y refrigeradores.** Existe un mayor riesgo de descargas eléctricas si el cuerpo está haciendo tierra.
- **No exponga las herramientas eléctricas a la lluvia ni a condiciones de humedad.** La introducción de agua en una herramienta eléctrica aumenta el riesgo de descargas eléctricas.
- **No maltrate el cordón eléctrico. Nunca utilice el cordón para trasladar, desconectar o tirar de la herramienta eléctrica. Mantenga el cordón alejado del calor, del aceite, de bordes afilados y de piezas móviles.** Los cordones eléctricos dañados o enredados aumentan el riesgo de descargas eléctricas.
- **Al utilizar una herramienta eléctrica a la intemperie, use un cordón de extensión apropiado para el exterior.** Usando un cordón adecuado para el exterior se disminuye el riesgo de descargas eléctricas.
- **Si debe operar una herramienta en lugares húmedos, use un suministro protegido por un interruptor de circuito con pérdida a tierra (GFCI).** El uso de un GFCI reduce el riesgo de descargas eléctricas.
- **Para utilizar con paquetes de baterías de níquel-cadmio de 18 V o de iones de litio de 18 V, consulte el folleto de la herramienta/aparato/paquete de baterías/cargador complementario 988000-302.**

SEGURIDAD PERSONAL

- **Permanezca alerta, preste atención a lo que esté haciendo y aplique el sentido común al utilizar herramientas eléctricas. No utilice la herramienta eléctrica si está cansado o se encuentra bajo los efectos de alguna droga, alcohol o**

medicamento. Un momento de inatención al utilizar una herramienta eléctrica puede causar lesiones corporales serias.

- **Use equipo de seguridad. Siempre póngase protección ocular.** El uso de equipo de seguridad como mascarilla para el polvo, calzado de seguridad, casco y protección para los oídos en las circunstancias donde corresponda disminuye el riesgo de lesiones.
- **Evite un arranque accidental de la unidad. Asegúrese de que el interruptor esté en la posición de apagado antes de conectar la herramienta.** Portar las herramientas eléctricas con el dedo en el interruptor, o conectarlas con el interruptor puesto, propicia accidentes.
- **Retire toda llave o herramienta de ajuste antes de encender la herramienta eléctrica.** Toda llave o herramienta de ajuste dejada en una pieza giratoria de la herramienta eléctrica puede causar lesiones.
- **No estire el cuerpo para alcanzar mayor distancia. Mantenga una postura firme y buen equilibrio en todo momento.** De esta manera se logra un mejor control de la herramienta eléctrica en situaciones inesperadas.
- **Vístase adecuadamente. No vista ropas holgadas ni joyas. Mantenga el cabello, la ropa y los guantes alejados de las piezas móviles.** Las ropas holgadas, las joyas y el cabello largo pueden engancharse en las piezas móviles.
- **Si se suministran dispositivos para conectar mangueras de extracción y captación de polvo, asegúrese de que éstas estén bien conectadas y se usen correctamente.** La utilización de captador de polvo puede disminuir los peligros relacionados con el polvo.
- **No vista ropas holgadas ni joyas. Recójase el cabello si está largo.** Las ropas holgadas y las joyas, así como el cabello largo, pueden resultar atraídas hacia el interior de las aberturas de ventilación.
- **No utilice la unidad al estar en una escalera o en un soporte inestable.** Una postura estable sobre una superficie sólida permite un mejor control de la herramienta eléctrica en situaciones inesperadas.

EMPLEO Y CUIDADO DE LA HERRAMIENTA ELÉCTRICA

- **No fuerce la herramienta eléctrica. Utilice la herramienta eléctrica adecuada para cada trabajo.** La herramienta eléctrica adecuada efectúa mejor y de manera más segura el trabajo, si además se maneja a la velocidad para la que está diseñada.
- **No utilice la herramienta si el interruptor no enciende o no apaga.** Cualquier herramienta eléctrica que no pueda controlarse con el interruptor es peligrosa y debe repararse.
- **Desconecte la clavija del suministro de corriente o retire el paquete de baterías de la herramienta eléctrica, según sea el caso, antes de efectuarle cualquier ajuste, cambiarle accesorios o guardarla.** Tales medidas preventivas de seguridad reducen el riesgo de poner en marcha accidentalmente la herramienta.
- **Guarde las herramientas eléctricas desocupadas fuera del alcance de los niños y no permita que las utilicen personas no familiarizadas con las mismas o con estas instrucciones.** Las herramientas eléctricas son peligrosas en manos de personas no capacitadas en el uso de las mismas.
- **Preste servicio a las herramientas eléctricas. Revise para ver si hay desalineación o atoramiento de piezas móviles, ruptura de piezas o cualquier otra condición que pueda afectar el funcionamiento de la herramienta. Si está dañada**

ADVERTENCIAS DE SEGURIDAD PARA HERRAMIENTAS ELÉCTRICAS

la herramienta eléctrica, permita que la reparen antes de usarla. Numerosos accidentes son causados por herramientas eléctricas mal cuidadas.

- **Mantenga las herramientas de corte afiladas y limpias.** Las herramientas de corte bien cuidadas y con bordes bien afilados, tienen menos probabilidad de atascarse en la pieza de trabajo y son más fáciles de controlar.
- **Utilice la herramienta eléctrica, los accesorios y brocas, hojas y cuchillas de corte, ruedas de esmeril, etc. de conformidad con estas instrucciones, tomando en cuenta las condiciones de trabajo y la tarea por realizar.** Si se utiliza la herramienta eléctrica para operaciones diferentes de las indicadas podría originar una situación peligrosa.

EMPLEO Y CUIDADO DE LA HERRAMIENTA DE BATERÍAS

- **Sólo cargue el paquete de baterías con el cargador especificado por el fabricante.** Un cargador adecuado para un tipo paquete de baterías puede significar un riesgo de incendio si se emplea con un paquete de baterías diferente.
- **Utilice las herramientas eléctricas sólo con los paquetes de baterías específicamente indicados.** El empleo de paquetes de baterías diferentes puede presentar un riesgo de incendio.

- **Cuando no esté utilizándose el paquete de baterías, manténgalo lejos de otros objetos metálicos, como clips, monedas, llaves, clavos, tornillos o otros objetos metálicos, pequeños que puedan establecer conexión entre ambas terminales.** Establecer una conexión directa entre las dos terminales de las baterías puede causar quemaduras o incendios.
- **Si se maltratan las baterías, puede derramarse líquido de las mismas; evite todo contacto con éste. En caso de contacto, lávese con agua. Si el líquido llega a tocar los ojos, además busque atención médica.** El líquido de las baterías puede causar irritación y quemaduras.

SERVICIO

- **Permita que un técnico de reparación calificado preste servicio a la herramienta eléctrica, y sólo con piezas de repuesto idénticas.** De esta manera se mantiene la seguridad de la herramienta eléctrica.
- **Al dar servicio a una herramienta eléctrica, sólo utilice piezas de repuesto idénticas. Siga las instrucciones señaladas en la sección Mantenimiento de este manual.** El empleo de piezas no autorizadas o el incumplimiento de las instrucciones de mantenimiento puede significar un riesgo de descarga eléctrica o de lesiones.

ADVERTENCIAS DE SEGURIDAD SIERRA CIRCULAR

PROCEDIMIENTOS DE CORTE



PELIGRO:

Mantenga las manos alejadas del área de corte y de la hoja. Mantenga la otra mano en el mango auxiliar o en el alojamiento del motor. Si ambas manos están sujetando la sierra, la hoja de corte no puede lesionarlas.

- **No trate de alcanzar nada bajo la pieza de trabajo.** La protección no puede proteger al operador de la hoja bajo la pieza de trabajo.
- **Ajuste la profundidad de corte al espesor de la pieza de trabajo.** Por debajo de la pieza de trabajo, debe verse menos de un diente completo de la hoja.
- **Nunca sujete la pieza de trabajo con las manos ni puesta en la pierna. Asegure la pieza de trabajo en una plataforma estable.** Es importante apoyar correctamente la pieza para reducir al mínimo la exposición del cuerpo, el atoramiento de la hoja y la pérdida de control.
- **Sólo sostenga la herramienta eléctrica desde las superficies de empuñadura aisladas cuando ejecute una operación en la que la herramienta de corte pudiera entrar en contacto con cables ocultos.** El contacto con un cable "vivo" también hará que las piezas metálicas expuestas de la herramienta eléctrica "tomen corriente" y el operador sufrirá una descarga eléctrica.
- **Al cortar al hilo, siempre utilice una guía de corte al hilo o una guía recta.** Esto mejora la precisión del corte y reduce la posibilidad de que la hoja se atasque.
- **Use siempre hojas con orificios del árbol del tamaño y la forma correctos (con forma de diamante o redonda).** Las hojas que no coinciden con los elementos de montaje de la sierra funcionarán de forma excéntrica, ocasionando la pérdida de control.

- **Nunca utilice un perno o arandelas de la hoja que estén dañados o sean incorrectos.** Las arandelas y el perno de la hoja fueron diseñados especialmente para su sierra, para ofrecer un rendimiento óptimo y seguridad en el funcionamiento.

CAUSAS DE CONTRAGOLPE Y ADVERTENCIAS RELACIONADAS

- El contragolpe es una reacción súbita a un pellizcamiento, atoramiento o desalineación de la hoja de la sierra, lo cual causa el descontrol, levantamiento y salida de la misma de la pieza de trabajo, hacia el operador.
- Cuando el corte al irse cerrando pellizca o atora ajustadamente la hoja de corte, ésta tiende a detenerse y la reacción del motor impulsa de forma rápida y violenta la unidad hacia el operador.
- Si la hoja se tuerce o desalinea en el corte, los dientes situados en el borde posterior de la hoja pueden encajarse en la superficie externa de la madera, causando de esta manera la salida de la hoja fuera del corte y un salto de la misma hacia el operador.

El mal uso de la sierra ocasionará un contragolpe y/o de procedimientos o condiciones de trabajo incorrectas, y puede evitarse tomando las medidas de precaución adecuadas, como las señaladas abajo:

- **Sujete firmemente la sierra con ambas manos y coloque sus brazos de manera tal que resista la fuerza del contragolpe. Coloque su cuerpo a un costado de la hoja y no alineado con ésta.** El contragolpe puede ocasionar que la sierra salte hacia atrás. Sin embargo, el operador puede controlar la fuerza del contragolpe si toma las precauciones apropiadas.
- **Cuando esté atorándose la hoja, o esté interrumpiéndose el corte por alguna razón, suelte el gatillo y mantenga inmóvil la sierra en el material hasta que se detenga completamente la sierra. Nunca intente retirar la sierra de la pieza de trabajo ni tirar de la misma hacia atrás mientras esté en movimiento la hoja de corte, ya que puede ocasionar un contragolpe.**

ADVERTENCIAS DE SEGURIDAD SIERRA CIRCULAR

Investigue y tome las medidas correctivas adecuadas para eliminar la causa del atoramiento de la hoja.

- **Al volver a arrancar la sierra en la pieza de trabajo, centre la hoja en el corte y verifique que los dientes de la misma no estén encajados en el material.** Si la sierra está atorándose, puede salirse de la pieza de trabajo o dar un contragolpe al volverse a rearrancar.
- **Apoye debidamente los paneles grandes para reducir al mínimo el riesgo de un pellizcamiento de la hoja de corte y de un contragolpe.** Los paneles grandes tienden a combarse bajo su propio peso. Deben colocarse soportes bajo ambos lados del panel, cerca de la línea de corte y de la orilla del mismo.
- **No utilice hojas de corte desafiladas o dañadas.** Las hojas de corte desafiladas o triscadas de forma incorrecta producen un corte angosto con la consiguiente fricción excesiva, atoramiento de la hoja misma y contragolpe.
- **Las palancas de bloqueo de ajuste de profundidad y de biselado deben estar apretadas y aseguradas antes de efectuarse el corte.** Si cambia el ajuste de la hoja durante el corte, puede causarse el atoramiento de la misma y un contragolpe.
- **Tenga sumo cuidado cuando corte en paredes existentes o en otros puntos ciegos.** La parte sobresaliente de la hoja puede cortar objetos que pueden causar un contragolpe.

FUNCIÓN DE PROTECCIÓN INFERIOR




- **Cada vez antes de utilizar la unidad verifique que cierre correctamente la protección inferior. No utilice la sierra si la protección inferior no se mueve libremente y no cierra instantáneamente. Nunca asegure de ninguna forma la protección inferior en la posición abierta.** Si se deja caer accidentalmente la sierra, la protección inferior puede sufrir un doblamiento. Suba la protección inferior con el mango retractor y asegúrese de que se mueve libremente y no toca la hoja de corte ni ninguna otra parte, en todos los ángulos y profundidades de corte.
- **Verifique el funcionamiento del resorte de la protección inferior. Si la protección y el resorte no funcionan correctamente, debe proporcionárseles servicio antes de utilizar la unidad.** La protección inferior puede moverse con lentitud debido a piezas dañadas, depósitos gomosos o acumulación de desechos.
- **El protector inferior se deberá retraer manualmente sólo en el caso de cortes especiales como “cortes de penetración” y “cortes compuestos”.** Levante el protector inferior retrayendo el mango y, ni bien la hoja ingrese en el material, libere el protector inferior. Para todas las demás operaciones de aserrado, el protector inferior se deberá operar automáticamente.
- **Siempre asegúrese de que la protección inferior esté cubriendo la hoja de corte antes de colocar la sierra en un banco de trabajo o en el piso.** Si la hoja no está protegida y está aún en movimiento, la sierra avanza hacia atrás y corta cualquier objeto situado en su trayecto. Tenga presente el tiempo requerido por la hoja para detenerse después de soltarse el interruptor.

REGLAS ADICIONALES DE SEGURIDAD







- **Utilice prensas o cualquier otro medio práctico de asegurar y sostener la pieza de trabajo en una plataforma segura.** Sostener la pieza con la mano o contra el cuerpo lo hace inestable y puede causar una pérdida de control.
- **Siempre póngase protección ocular con protectores laterales con la marca de cumplimiento de la norma ANSI Z87.1 junto con protección para los oídos.** Con el cumplimiento de esta regla se reduce el riesgo de lesiones corporales serias.
- **Protéjase los pulmones. Use una careta o mascarilla contra el polvo si la operación genera mucho polvo.** Con el cumplimiento de esta regla se reduce el riesgo de lesiones serias.
- **Protéjase los oídos. Durante períodos prolongados de utilización del producto, póngase protección para los oídos.** Con el cumplimiento de esta regla se reduce el riesgo de lesiones corporales serias.
- **No se necesita conectar a una toma de corriente las herramientas de baterías; por lo tanto, siempre están en condiciones de funcionamiento. Esté consciente de los posibles peligros cuando no esté usando la herramienta de baterías o cuando esté cambiando los accesorios de la misma.** Con el cumplimiento de esta regla se reduce el riesgo de una descarga eléctrica, incendio o lesión corporal seria.
- **No coloque herramientas de pilas ni las pilas mismas cerca del fuego o del calor.** De esta manera se reduce el riesgo de explosiones y de lesiones.
- **No aplaste, deje caer ni dañe el paquete de pilas. No use un paquete de pilas o un cargador que se haya caído o haya recibido un golpe fuerte.** Las baterías dañadas pueden sufrir explosiones. Deseche de inmediato toda batería que haya sufrido una caída o cualquier daño.
- **Las pilas pueden explotar en presencia de una fuente de ignición, como una luz piloto.** Para reducir el riesgo de lesiones corporales serias, nunca use un producto inalámbrico en presencia de llamas vivas. Una batería que explotó puede expulsar escombros y productos químicos. Si ha quedado expuesto a la explosión de una pila, lávese de inmediato con agua.
- **No cargue herramientas de baterías en lugares mojados o húmedos.** Con el cumplimiento de esta regla se reduce el riesgo de una descarga eléctrica.
- **Para obtener resultados óptimos, debe cargar la herramienta de baterías en un lugar donde la temperatura esté entre 10 y 38 °C (50 y 100 °F).** Para reducir el riesgo de lesiones corporales serias, no guarde la herramienta a la intemperie ni en el interior de vehículos.
- **En condiciones extremas de uso o temperatura, la batería puede presentar fugas. Si el líquido entra en contacto con la piel, lávese inmediatamente con agua y jabón. Si le entra líquido en los ojos, láveselos con agua limpia por lo menos 10 minutos, y después busque de inmediato atención médica.** Con el cumplimiento de esta regla se reduce el riesgo de lesiones personales serias.
- **Guarde estas instrucciones.** Consúltelas con frecuencia y empléelas para instruir a otras personas que puedan utilizar esta herramienta. Si le presta esta herramienta a alguien, facilítele también las instrucciones.

SÍMBOLOS

Las siguientes palabras de señalización y sus significados tienen el objeto de explicar los niveles de riesgo relacionados con este producto.

SÍMBOLO	SEÑAL	SIGNIFICADO
	PELIGRO:	Indica una situación peligrosa inminente, la cual, si no se evita, causará la muerte o lesiones serias.
	ADVERTENCIA:	Indica una situación peligrosa posible, la cual, si no se evita, podría causar la muerte o lesiones serias.
	PRECAUCIÓN:	Indica una situación peligrosa posible, la cual, si no se evita, podría causar lesiones menores o leves.
	AVISO:	(Sin el símbolo de alerta de seguridad) Indica información importante no relacionada con ningún peligro de lesiones, como una situación que puede ocasionar daños físicos.

Es posible que se empleen en este producto algunos de los siguientes símbolos. Le suplicamos estudiarlos y aprender su significado. Una correcta interpretación de estos símbolos le permitirá utilizar mejor y de manera más segura el producto.

SÍMBOLO	NOMBRE	DENOMINACIÓN/EXPLICACIÓN
	Alerta de seguridad	Indica un peligro posible de lesiones personales
	Lea manual del operador	Para reducir el riesgo de lesiones, el usuario debe leer y comprender el manual del operador antes de usar este producto.
	Protección para los ojos y oídos	Siempre póngase protección ocular con la marca de cumplimiento de la norma ANSI Z87.1 junto con protección para los oídos.
	Alerta de condiciones húmedas	No exponga la unidad a la lluvia ni la use en lugares húmedos.
	Símbolo de no acercar las manos	Si no mantiene las manos alejadas de la hoja de corte, se causará serias lesiones corporales.
	Símbolo de reciclado	Este producto contiene baterías de níquel-cadmio (Ni-Cd) o iones de litio (Li-ion). Es posible que algunas leyes municipales, estatales o federales prohíban desechar las baterías de níquel-cadmio en la basura normal. Consulte a las autoridades reguladoras de desechos para obtener información en relación con las alternativas de reciclado y desecho disponibles.
V	Volts	Voltaje
A	Amperes	Corriente
Hz	Hertz	Frecuencia (ciclos por segundo)
min	Minutos	Tiempo
==	Corriente continua	Tipo o característica de corriente
n _o	Velocidad en vacío	Velocidad de rotación, en vacío
.../min	Por minuto	Revoluciones, carreras, velocidad superficial, órbitas, etc., por minuto

CARACTERÍSTICAS

ESPECIFICACIONES DEL PRODUCTO

Diámetro de la hoja 184 mm (7-1/4 pulg.)
Árbol de la hoja de corte 16 mm (5/8 pulg.)
Profundidad de corte a 0° 61,9 mm (2-7/16 pulg.)

Profundidad de corte a 45° 46,8 mm (1-27/32 pulg.)
Velocidad en vacío 3 700 r/min. (RPM)
Motor 18 Volts, corr. cont.

ARMADO

DESEMPAQUETADO

Este producto requiere armarse.

- Extraiga cuidadosamente de la caja la herramienta y los accesorios. Asegúrese de que estén presentes todos los artículos enumerados en la lista de empaquetado.

ADVERTENCIA:

No utilice este producto si alguna pieza incluida en la lista de incluye ya está ensamblada al producto cuando lo desempaqueta. El fabricante no ensambla las piezas de esta lista en el producto. Éstas deben ser instaladas por el usuario. El uso de un producto que puede haber sido ensamblado de forma inadecuada podría causar lesiones personales graves.

- Si hay alguna parte dañada o faltante, llame al 1-866-539-1710, donde le brindaremos asistencia.

ADVERTENCIA:

Si hay piezas dañadas o faltantes, no utilice esta producto sin haber reemplazado todas las piezas. Usar este producto con partes dañadas o faltantes puede causar lesiones serias al operador.

ADVERTENCIA:

No intente modificar esta producto ni hacer accesorios no recomendados para la misma. Cualquier alteración o modificación constituye maltrato el cual puede causar una condición peligrosa, y como consecuencia posibles lesiones corporales serias.

MONTAJE DE LA HOJA

Vea la figura 1, página 12.

ADVERTENCIA:

La máxima capacidad de diámetro de hoja de la sierra es 184 mm (7-1/4 pulg.). Nunca utilice una hoja tan gruesa que la arandela exterior de la hoja no se enganche en las partes planas del husillo. Las hojas más grandes tocan la protección de la hoja, y las más gruesas impiden asegurarlas con el perno correspondiente en el husillo. Cualquiera de estas dos situaciones puede causar un accidente serio.

- Retire de la sierra el paquete de baterías.
- Retire de su lugar de almacenamiento la llave de la hoja (la llave hexagonal de 6 mm).
- Oprima el seguro del husillo y retire el tornillo y la arandela exterior de la hoja.

NOTA: Gire el tornillo de la hoja hacia la izquierda para retirarlo.

AVISO:

Para evitar dañar el husillo o el seguro del mismo, siempre deje que el motor se detenga completamente antes de enganchar el seguro.

NOTA: No ponga a funcionar la sierra circular con el seguro del husillo puesto.

- Unte una gota de aceite en las arandelas interior y exterior de la hoja, donde tocan ésta.

ADVERTENCIA:

Si retiró la arandela interior de la hoja, vuelva a colocarla antes de instalar la hoja en el husillo. Si no lo hace podría producirse un accidente ya que la hoja no se apretaría correctamente.

- Suba la protección inferior de la hoja.
- Acomode la hoja de la sierra dentro de la protección inferior, y luego móntela en el husillo.

NOTA: Los dientes de la sierra apuntan hacia arriba en la parte delantera de la sierra.

- Vuelva a colocar la arandela exterior de la hoja.
- Oprima el botón del seguro del husillo y vuelva a colocar el tornillo de la hoja hacia la derecha.
- Regrese la llave de la hoja al compartimento.

DESMONTAJE DE LA HOJA

Vea la figura 2, página 12.

- Retire de la sierra el paquete de baterías.
- Retire de su lugar de almacenamiento la llave de la hoja.
- Coloque la sierra como se muestra, oprima el botón del seguro del husillo, y retire el tornillo de la hoja girándolo a la izquierda.
- Retire la arandela exterior de la hoja.
- Levante la protección inferior de la hoja.
- Retire la hoja.

FUNCIONAMIENTO

PELIGRO:

Mantenga las manos alejadas del área de corte y de la hoja. Mantenga la otra mano en el mango auxiliar o en el alojamiento del motor. Si ambas manos están sujetando la sierra, la hoja de corte no puede lesionarlas.

ADVERTENCIA:

No permita que su familiarización con las herramientas lo vuelva descuidado. Tenga presente que un descuido de un instante es suficiente para causar una lesión grave.

ADVERTENCIA:

Siempre retire el paquete de baterías de la herramienta cuando esté ensamblando partes, realizando ajustes, limpiando o cuando ésta no esté en uso. Retirando el paquete de baterías se evita arrancar accidentalmente la unidad, lo cual puede causar lesiones serias.

ADVERTENCIA:

Siempre póngase protección ocular con la marca de cumplimiento de la norma ANSI Z87.1 junto con protección para los oídos. No seguir esta advertencia podría provocar que salgan objetos despedidos hacia sus ojos y otras lesiones graves.

ADVERTENCIA:

No utilice ningún aditamento o accesorio no recomendado por el fabricante de este producto. El empleo de aditamentos o accesorios no recomendados podría causar lesiones serias.

APLICACIONES

Esta herramienta puede emplearse para los fines siguientes:

- Corte de todos tipos de productos de madera (tablas, contrachapada y paneles)
 - Cortes transversales y al hilo en los productos de madera
 - Cortes a bisel en los productos de madera
 - Cortes en cavidad en los productos de madera
-

ADVERTENCIA:

Nunca utilice discos de trocear abrasivos de ninguna clase con esta sierra. De usarse hojas de corte no diseñadas para madera puede ocasionar daños físicos o graves lesiones personales.

INSTALACIÓN/DESMONTAR DEL PAQUETE DE BATERÍAS

Vea la figura 3, página 13.

- Coloque el paquete de pilas en la sierra. Alinee la costilla realizada del paquete de pilas con la ranura existente en el interior de la sierra, y después introduzca el paquete en la sierra.
- Asegúrese de que los pestillos situados en ambos lados del paquete de pilas entren completamente en su lugar con un chasquido y de que el paquete quede bien fijo en la motosierra antes de empezar a utilizar la unidad.
- Oprima los pestillos para extraer el paquete de baterías.

Para obtener instrucciones específicas de carga, lea el manual del operador que se incluye con el cargador y la batería.

ADVERTENCIA:

Las herramientas de baterías siempre están en condiciones de funcionamiento. Por lo tanto, siempre debe estar asegurado el interruptor cuando no esté usándose o el operador lo lleve por un lado.

CONTRAGOLPE

Vea las figuras 4 a 7, página 13.

El contragolpe sucede cuando la hoja se detiene rápidamente y la sierra sale empujada hacia el operador. El atoramiento de la hoja es causado por cualquier acción que produzca el pellizcamiento de la hoja en la madera.

ADVERTENCIA:

Si la hoja pierde velocidad o se atora, suelte de inmediato el interruptor. El contragolpe podría causar la pérdida de control de la sierra. La pérdida de control puede originar lesiones serias.

Para protegerse y evitar contragolpes, evite prácticas peligrosas como las siguientes:

- Ajustar de forma incorrecta la profundidad de la hoja
- Cortar nudos o clavos presentes en la pieza de trabajo
- Torcer la hoja al efectuar un corte
- Cortar con una hoja desafilada, mal triscada o cubierta de goma
- Apoyar de forma incorrecta la pieza de trabajo
- Efectuar cortes forzados
- Cortar madera combada o húmeda
- Utilizar la herramienta de forma incorrecta o para un uso inadecuado

Para disminuir el peligro de un contragolpe, siga estas prácticas de seguridad:

- Mantenga la hoja a un ajuste de profundidad correcto. Por debajo de la pieza de trabajo, debe verse menos de un diente completo de la hoja.
- Inspeccione la pieza de trabajo para ver si contiene nudos o clavos. Nunca corte nudos ni clavos.
- Corte en línea recta. Siempre utilice una guía recta al efectuar cortes al hilo. Esto ayuda a evitar el torcimiento de la hoja.
- Use hojas limpias, afiladas y triscadas correctamente. Nunca efectúe cortes con hojas desafiladas.

FUNCIONAMIENTO

- Apoye y sujete la pieza de trabajo antes de iniciar un corte.
- Aplique una presión estable y uniforme al efectuar el corte. Nunca efectúe cortes forzados.
- No corte madera combada o húmeda.
- Siempre permita que la hoja alcance su velocidad máxima antes de iniciar un corte.
- Sujete firmemente la sierra con ambas manos y mantenga el cuerpo en una postura bien equilibrada de manera que pueda resistir las fuerzas de un contragolpe si llegara a ocurrir.

ADVERTENCIA:

Al utilizar la sierra siempre permanezca alerta y en control de la herramienta. No retire la sierra de la pieza de trabajo mientras continúe en movimiento la hoja.

HOJAS DE LA SIERRA

Incluso las mejores hojas para sierra no cortan eficientemente si no se mantienen, limpias, afiladas y debidamente triscadas. Si se utiliza una hoja desafilada se le impone una carga muy pesada a la sierra y se aumenta el peligro de un contragolpe. Mantenga hojas extra a la mano, de manera que siempre haya hojas afiladas disponibles.

La goma y la resina endurecidas en las hojas hacen más lenta la sierra. Retire la hoja de la sierra y utilice limpiador de goma y de resina, agua caliente o queroseno para limpiar la acumulación de aquéllas. **NO UTILICE GASOLINA.**

SISTEMA DE PROTECCIÓN DE LA HOJA

Vea la figura 8, página 13.

La protección inferior montada en la sierra circular es para protegerlo a usted y para su seguridad. No la altere de ninguna forma. Si se daña, no utilice la sierra hasta que haya reparado o reemplazado la protección, según sea necesario. Siempre deje la protección en la posición de trabajo al utilizar la sierra.

PELIGRO:

Al cortar de lado a lado, la protección inferior no cubre la hoja por dicho lado de la pieza de trabajo. Puesto que la hoja queda expuesta por la parte inferior de la pieza de trabajo, mantenga las manos y los dedos alejados del área de corte. Cualquier parte del cuerpo que toque la hoja en movimiento puede resultar lesionada seriamente.

ADVERTENCIA:

Para evitar posibles lesiones serias, nunca utilice la sierra cuando no esté funcionando correctamente la protección. Siempre verifique el funcionamiento de la protección antes de utilizar la herramienta. La protección funciona correctamente cuando se mueve libremente y regresa de inmediato a la posición cerrada. Si deja caer la sierra, revise la protección inferior de la hoja y el parachoques para ver si tienen daños en todos los ajustes de la profundidad antes de volver a usar la unidad.

ADVERTENCIA:

Nunca fije la protección inferior de la hoja en la posición elevada. Si se deja expuesta la hoja pueden originarse lesiones serias.

Si en cualquier momento la protección inferior de la hoja no cierra de inmediato, retire el paquete de baterías de la sierra. Ponga en movimiento la protección inferior moviéndola rápidamente de atrás hacia adelante, de la posición abierta a la cerrada, varias veces. Normalmente de esta manera se restablece el funcionamiento normal de la protección. No con esto no se corrige la lentitud o falta de libertad del movimiento de cierre de la protección inferior, no utilice la sierra. Llévela a un centro de servicio autorizado por la fábrica para su reparación.

ENCENDIDO Y APAGADO DE LA SIERRA

Vea la figura 9, página 13.

Para arrancar la sierra:

- Oprima el botón del seguro de apagado.
- Oprima el gatillo del interruptor.

Siempre permita que la hoja alcance su velocidad máxima, y hasta después introdúzcala en la pieza de trabajo.

ADVERTENCIA:

Si la hoja toca la pieza de trabajo antes de alcanzar la velocidad máxima, podría causar un contragolpe de la sierra hacia usted y podría producirle lesiones graves.

Para apagar la sierra, suelte el gatillo del interruptor.

Después de soltar el gatillo del interruptor permita que se detenga completamente la hoja de corte. **No retire la sierra de la pieza de trabajo mientras continúe en movimiento la hoja.**

BOTÓN DEL SEGURO DE APAGADO

Vea la figura 9, página 13.

El botón del seguro de apagado reduce la posibilidad de arrancar accidentalmente la unidad. El botón del seguro de apagado se encuentra en el mango, arriba del gatillo del interruptor. Debe oprimir el botón del seguro de apagado antes de oprimir el gatillo del interruptor. El seguro se reajusta cada vez que se suelta el gatillo.

NOTA: El botón del seguro de apagado puede oprimirse desde el lado izquierdo o el derecho.

PALANCAS MARCADORAS

Vea la figura 10, página 14.

Las palancas en la sierra pueden ser reposicionadas para alcanzar la posición donde quedan más apretadas.

- Tire la palanca hacia afuera de la sierra y muévela a la posición deseada.
- Empuje la palanca para volver a colocarla en su lugar.

AJUSTE DE LA PROFUNDIDAD DE LA HOJA

Vea la figura 11, página 14.

Siempre mantenga la hoja a un ajuste de profundidad correcto. Por debajo de la pieza de trabajo, debe verse menos de un diente completo de la hoja. Cuanto mayor es la profundidad de la hoja mayor es la posibilidad de un contragolpe y de un corte áspero.

FUNCIONAMIENTO

- Retire el paquete de baterías de la sierra.
- Gire la palanca de fijación de profundidad para alejarla de la base.
- Determine la profundidad de corte deseada.
- Mantenga horizontal la base contra la pieza de trabajo y suba o baje la sierra hasta que el punto indicador o la marca se alinee con la escala de profundidad de corte.
- Gire la palanca de fijación de profundidad hacia la base para que quede fija en la posición.

UTILIZACIÓN DE LA SIERRA

Veá las figuras 12 y 13, página 14.

Es importante comprender la forma correcta de utilizar la sierra. Consulte las figuras de esta sección para ver las formas correctas e incorrectas de manejar la sierra.

ADVERTENCIA:

Para efectuar los cortes de forma más fácil y más segura, siempre mantenga un control adecuado de la sierra sosteniéndola con ambas manos. La pérdida de control podría causar un accidente, y como consecuencia posibles lesiones corporales serias.

PELIGRO:

Al levantar la sierra de la pieza de trabajo, la hoja queda expuesta en la parte inferior de la sierra hasta que cierra la protección inferior de la hoja. Asegúrese de que la protección inferior cierre antes de dejar en reposo la sierra.

ADVERTENCIA:

Utilice prensas o cualquier otro medio práctico de asegurar y sostener la pieza de trabajo en una plataforma segura. Sostener la pieza de trabajo con la mano o contra el cuerpo es una práctica que genera inestabilidad y puede hacer que pierda el control de la herramienta, lo que podría causar graves lesiones.

Para efectuar el mejor corte que sea posible:

- Sujete la sierra firmemente con ambas manos.
- Evite colocar la mano sobre la pieza de trabajo al efectuar un corte.
- Apoye la pieza de trabajo de manera que el corte (la ranura) le quede siempre al lado de usted.
- Apoye la pieza de trabajo cerca del corte.
- Sujete firmemente la pieza de trabajo con prensas de manera que no se mueva durante el trabajo.
- Siempre coloque la sierra en la sección apoyada de la pieza de trabajo, no en la que va a desecharse.
- Coloque la pieza de trabajo con el lado “bueno” hacia abajo.
- Trace una línea guía a lo largo de la línea de corte antes de iniciar éste.

CORTES TRANSVERSALES Y AL HILO

Veá las figuras 14 y 15, página 14.

Al efectuar un corte transversal o al hilo, alinee la línea de corte con la muesca guía exterior de la base.

Puesto que el espesor de las hojas varía, siempre efectúe un corte de prueba en material desechable a lo largo de una línea guía para determinar qué tanto debe desplazar la línea guía para producir un corte preciso.

NOTA: La distancia existente de la línea de corte a la línea guía es la distancia que debe desplazar la guía.

- Asegure la pieza de trabajo.
- Sujete una regla (pieza recta) a la pieza de trabajo mediante prensas de mano.
- Corte a lo largo de la pieza recta para lograr un corte recto al hilo.

NOTA: No permita que se atore la hoja en el corte.

UTILIZANDO LA GUÍA DE BORDES OPCIONAL

Veá la figura 16, página 14.

Use la guía de bordes, pieza no. 202050004, cuando haga cortes largos o anchos con su sierra.

- Retire de la sierra el paquete de baterías.
- Coloque la guía para cantos (no se incluye) a través de las ranuras de la base de la sierra.
- Ajuste la guía para cantos a la anchura necesaria.
- Apriete firmemente el tornillo de mariposa.

Cuando utilice una guía para cantos, coloque la cara de la misma firmemente contra el canto de la pieza de trabajo. Esto permite efectuar un corte recto sin pellizcar la hoja. El canto de guía de la pieza de trabajo debe estar recto para poder dejar recto el corte. Tenga cuidado y evite el atoramiento de la hoja en el corte.

CORTE A BISEL

Veá las figuras 17 a 19, páginas 14 y 15.

El ángulo de corte de la sierra puede ajustarse a cualquier grado deseado entre cero y 56°.

NOTA: Al efectuar cortes a 56°, debe ajustarse la hoja a la profundidad máxima de corte.

Puesto que el espesor de las hojas varía, y para diferentes ángulos se requieren diferentes ajustes, siempre efectúe un corte de prueba en material desechable a lo largo de una línea guía para determinar qué tanto debe desplazar la línea guía en la tabla por cortar.

Al efectuar cortes a bisel, sujete la sierra firmemente con ambas manos.

Deje descansar el borde frontal de la base en la pieza de trabajo. Para encender la sierra, oprima primero el botón del seguro de apagado y luego el gatillo. Siempre permita que la hoja alcance su velocidad máxima, y hasta después guía la sierra introduciéndola en la pieza de trabajo.

ADVERTENCIA:

Si la hoja toca la pieza de trabajo antes de alcanzar la velocidad máxima, podría causar un “contragolpe” de la sierra hacia usted y podría producirle lesiones graves.

FUNCIONAMIENTO

Después de terminar el corte, suelte el gatillo y permita que se detenga completamente la hoja de corte. Después de haberse detenido la hoja, levante la sierra de la pieza de trabajo.

PARA AJUSTAR EL ÁNGULO DE BISELADO

Vea la figura 18, página 15.

- Retire de la sierra el paquete de baterías.
- Gire la palanca de fijación del bisel a la izquierda hasta que el alojamiento del motor se mueva libremente.
- Suba el alojamiento del motor hasta que alcance el ángulo deseado en la escala del ángulo de bisel (0-56°).

NOTA: Hay retenes en la escala de bisel para que sea más fácil ajustar el ángulo de la hoja a 45°, 30°, 22,5° o 15°.

- Gire la palanca de fijación del bisel a la derecha hasta que el alojamiento del motor quede bien trabado en su lugar.

ADVERTENCIA:

Intentar efectuar un corte a bisel sin tener la palanca de fijación del bisel del mismo fija firmemente en su lugar puede producir lesiones serias.

CORTE EN CAVIDAD

Vea la figura 20, página 15.

ADVERTENCIA:

Siempre ajuste el ángulo de biselado a cero antes de efectuar un corte en cavidad. Si se intenta efectuar un corte en cavidad a cualquier ángulo puede producirse una pérdida de control de la sierra, y por consecuencia posibles lesiones serias.

- Ajuste el ángulo de biselado a cero.
- Ajuste la hoja a la profundidad correcta.
- Suba la protección inferior de la hoja con la manija correspondiente.

AJUSTES

TOPE DE BISEL A 0°

Vea la figura 21, página 15.

La sierra dispone de un tope de bisel a 0° ajustado en la fábrica con el fin de asegurar un ángulo de 0° al efectuar cortes a 0°. No obstante, puede ocurrir una desalineación durante el transporte.

Para verificar el tope de bisel a 0°:

- Retire de la sierra el paquete de baterías.
- Coloque la sierra en posición invertida sobre el banco de trabajo.
- Desplace la protección inferior para dejar expuesta la hoja de la sierra.
- Con una escuadra combinada verifique la perpendicularidad de la hoja con respecto a la base.

NOTA: Siempre suba la protección inferior de la hoja con la manija para evitar lesiones serias.

- Sostenga la protección inferior de la hoja con la manija.

ADVERTENCIA:

Nunca extienda los dedos al tener el asidero más bajo de guardia de hoja. Extender los dedos pueden tener como resultado el contacto con la hoja, por consecuencia posibles lesiones serias.

- Deje descansar la parte frontal de la base contra la pieza de trabajo, con la parte posterior del mango elevada de manera que la hoja no toque la pieza de trabajo.

PELIGRO:

Asegúrese de colocar los dedos alejados de la hoja antes de oprimir el gatillo del interruptor. El contacto con la hoja causará lesiones graves.

- Para encender la sierra, oprima primero el botón del seguro de apagado y luego el gatillo. Siempre permita que la hoja alcance su velocidad máxima, y después baje la sierra lentamente introduciéndola en la pieza de trabajo hasta que la base quede abatida contra la pieza de trabajo.
- Guíe la sierra introduciéndola en la pieza de trabajo y efectúe el corte.

ADVERTENCIA:

Siempre corte avanzando hacia adelante al efectuar cortes en cavidad. Si corta retrocediendo la sierra podría subirse a la pieza de trabajo y lanzarse contra usted.

- Suelte el gatillo y permita que se detenga completamente la hoja de corte.
- Levante la sierra de la pieza de trabajo.
- Termine las esquinas con una sierra de mano o con una de vaivén.

Para ajustar el tope de bisel a 0°:

- Retire de la sierra el paquete de baterías.
- Gire la palanca de fijación del bisel a la izquierda para aflojar.
- Gire el tornillo de Torx® T-8 (no incluye) con la llave de Torx® T-8 (no incluye) y ajuste la base hasta dejarla a escuadra con la hoja de la sierra.
- Fije firmemente la palanca de fijación del bisel del ángulo de biselado.

ADVERTENCIA:

Intentar efectuar un corte a bisel sin tener la palanca de fijación del bisel del mismo fija firmemente en su lugar puede producir lesiones serias.

MANTENIMIENTO

ADVERTENCIA:

Al reparar la unidad, solo utilice piezas de repuesto idénticas. El uso de otras piezas puede crear un riesgo o causar daños al producto.

MANTENIMIENTO GENERAL

Evite el empleo de solventes al limpiar piezas de plástico. La mayoría de los plásticos son susceptibles a diferentes tipos de solventes comerciales y pueden resultar dañados. Utilice paños limpios para eliminar la suciedad, el polvo, el aceite, la grasa, etc.

ACCESORIOS

Busque estos accesorios donde adquirió este producto.

■ Guía para cantos..... 202050004

ADVERTENCIA:

Arriba se señalan los aditamentos y accesorios disponibles para usarse con esta herramienta. No utilice ningún aditamento o accesorio no recomendado por el fabricante de esta herramienta. El empleo de aditamentos o accesorios no recomendados podría causar lesiones serias.

CALIFORNIA - PROPUESTA DE LEY NÚM. 65

ADVERTENCIA:

Este producto puede contener sustancias químicas (por ejemplo, plomo) reconocidas por el estado de California como causantes de cáncer, defectos congénitos y otras afecciones del aparato reproductor. **Lávese las manos después de utilizar el aparato.**

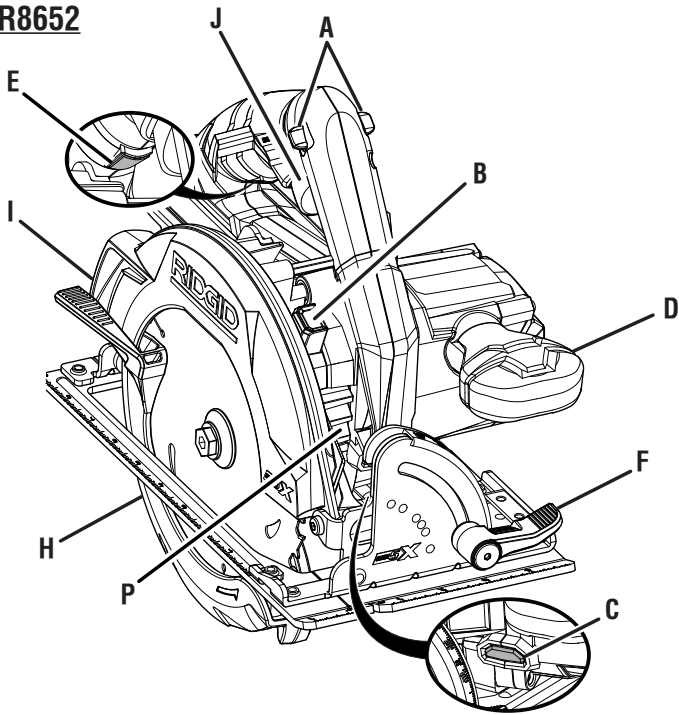
Algunos ejemplos de estas sustancias químicas son:

- plomo de las pinturas a base de plomo,
- silicio cristalino de los ladrillos, del cemento y de otros productos de albañilería, y
- arsénico y cromo de la madera químicamente tratada.

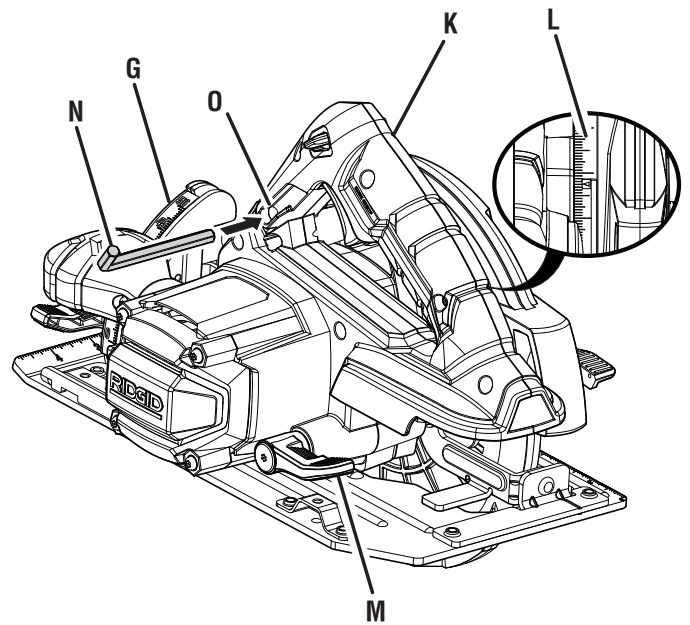
El riesgo de la exposición a estos compuestos varía, según la frecuencia con que se realice este tipo de trabajo. Para reducir la exposición personal, trabaje en áreas bien ventiladas, y con equipo de seguridad aprobado, tal como las caretas para el polvo especialmente diseñadas para filtrar partículas microscópicas.

Este producto tiene una política de satisfacción garantizada de 90 días y una garantía limitada de tres años. Para obtener detalles sobre la garantía y la política de satisfacción garantizada, diríjase a www.RIDGID.com o llame sin cargo al 1-866-539-1710.

R8652

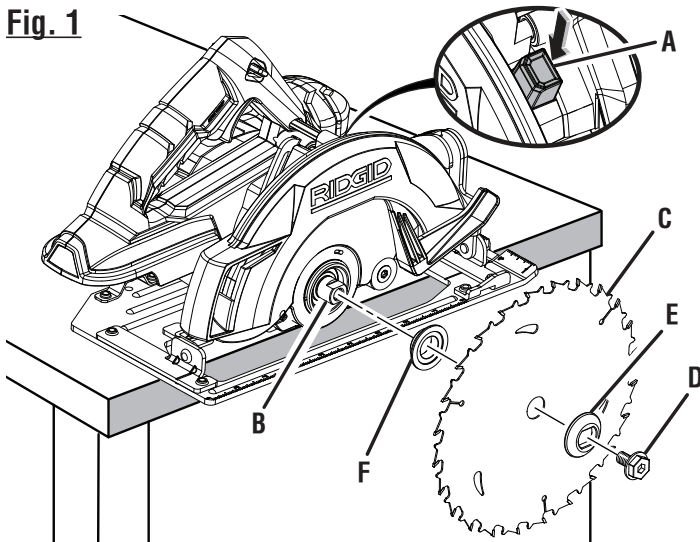


- A - Lock-off button (bouton de verrouillage, botón del seguro de apagado)
- B - Spindle lock (verrouillage de broche, seguro del husillo)
- C - LED light (lampe à DEL, diodo lumineux)
- D - Front handle (poignée avant, mango delantero)
- E - Grip light switch (interrupteur de la lampe de la poignée, interruptor de luz en el mango)
- F - Bevel lock lever (levier de verrouillage de biseau, palanca de fijación del bisel)
- G - Bevel scale (échelle de biseau, escala de bisel)
- H - Lower blade guard (garde de lame inférieure, protección inferior de la hoja)



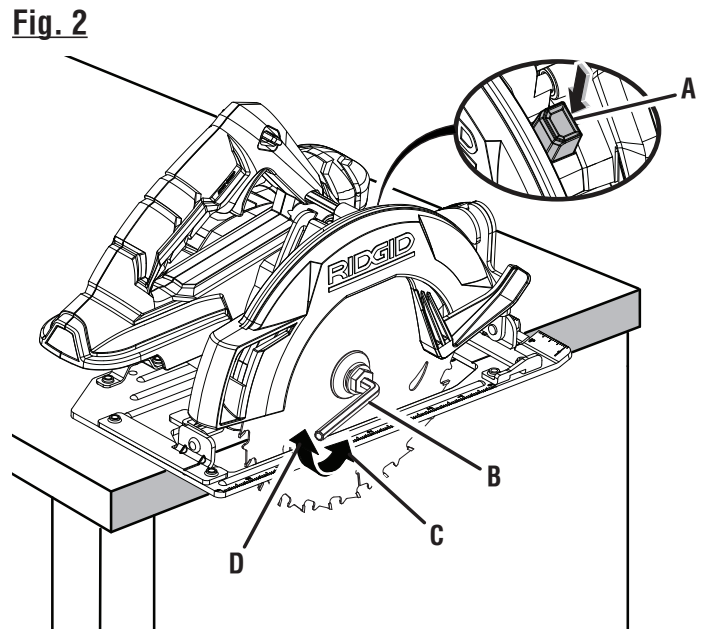
- I - Upper blade guard (garde de lame supérieure, protector superior de la hoja)
- J - Switch trigger (gâchette de commutateur, gatillo del interruptor)
- K - Rear handle (poignée arrière, mango trasero)
- L - Depth of cut scale (l'échelle de profondeur de coupe, escala de profundidad de corte)
- M - Depth lock lever (levier de verrouillage de profondeur, palanca de fijación de profundidad)
- N - 6 mm blade wrench (clé de lame de 6 mm, llave de hoja de 6 mm)
- O - Blade wrench storage (rangement de la clé de lame, lugar de guardar la llave de la hoja)
- P - Blower port (orifice de soufflante, abertura de la sopladora)

Fig. 1



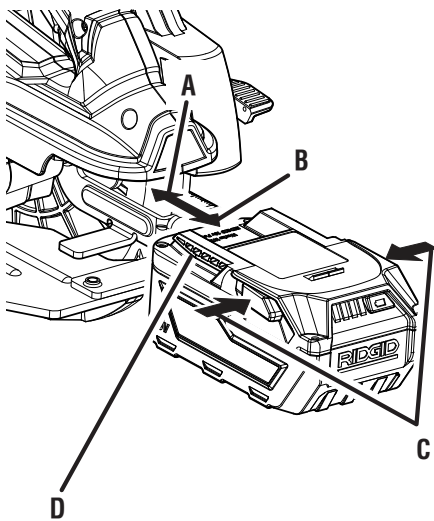
- A - Spindle lock (verrouillage de broche, seguro del husillo)
- B - Spindle (broche, husillo)
- C - Blade (lame, hoja)
- D - Blade screw (vis de lame, tornillo de la hoja)
- E - Outer blade washer (rondelle de lame extérieure, arandela exterior de la hoja)
- F - Inner blade washer (rondelle de lame intérieure, arandela interior de la hoja)

Fig. 2



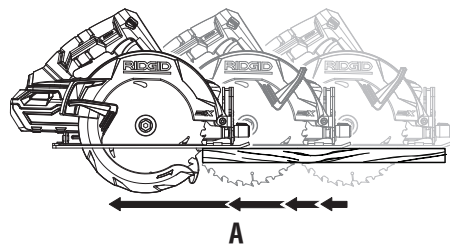
- A - Spindle lock (verrouillage de broche, seguro del husillo)
- B - Blade wrench (clé de lame, llave de hoja)
- C - To loosen (pour desserrer, para aflojar)
- D - To tighten (pour serrer, para apretar)

Fig. 3



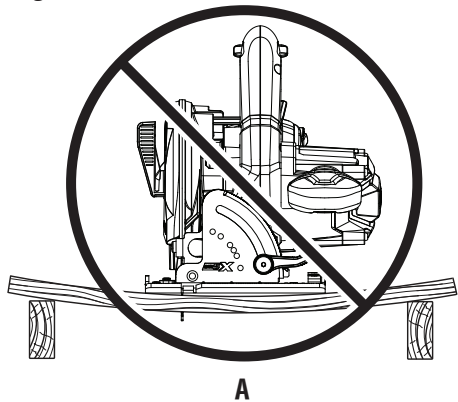
- A - To install (pour installer, para instalar)
- B - To remove (pour retirer, para desmontar)
- C - Depress latches to release battery pack (appuyer sur les loquets pour libérer le bloc-piles; para soltar el paquete de baterías oprima los pestillos)
- D - Raised rib (nervure en saillie, costilla realzada)

Fig. 4



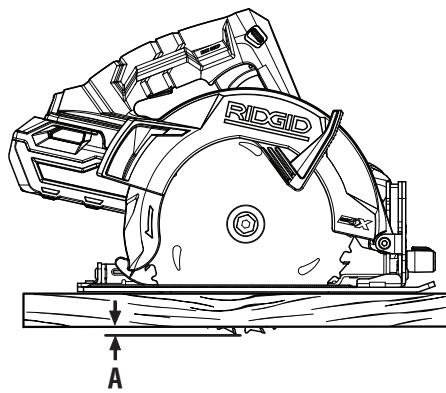
- A - Kickback - blade set too deep (rebond - réglage incorrect de la profondeur de coupe, contragolpe - la hoja se ajustó muy profunda)

Fig. 5



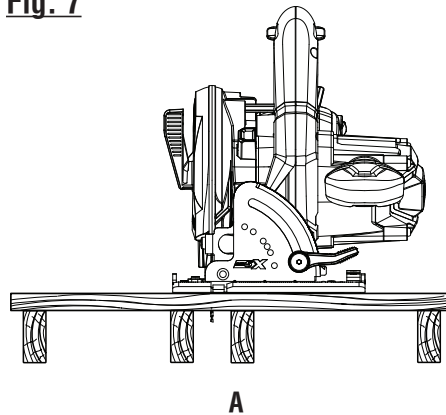
- A - Incorrect support (support incorrect, soporte incorrecto)

Fig. 6



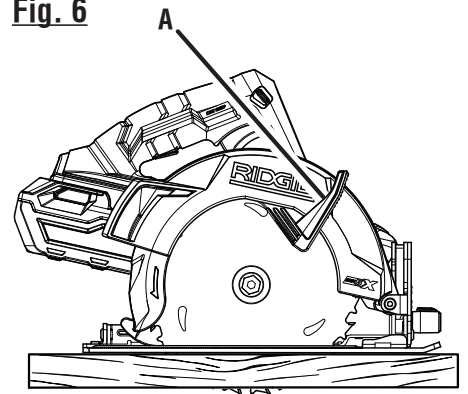
- A - Correct blade depth setting = less than a full tooth of the blade teeth should be visible below the workpiece (Réglage de profondeur de coupe correct = sous la pièce à travailler, on devrait pouvoir distinguer moins d'une dent entière parmi celles de la lame; Ajuste correcto de la profundidad de la hoja = por debajo de la pieza de trabajo, debe verse menos de un diente completo de la hoja)

Fig. 7



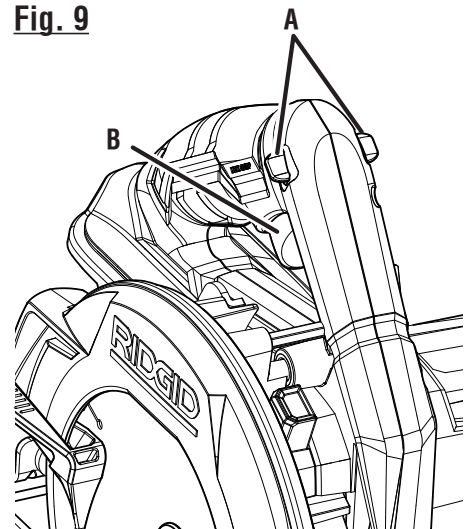
- A - Correct support (support correct, soporte correcto)

Fig. 6



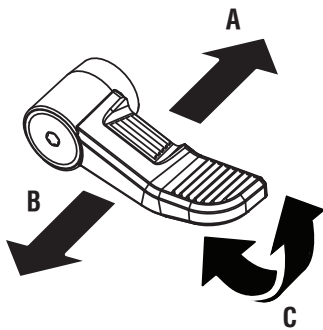
- A - Lower blade guard is in up position when making a cut (pendant la coupe, la garde inférieure est relevée, la protección inferior de la hoja está en la posición elevada al efectuarse cortes)

Fig. 9



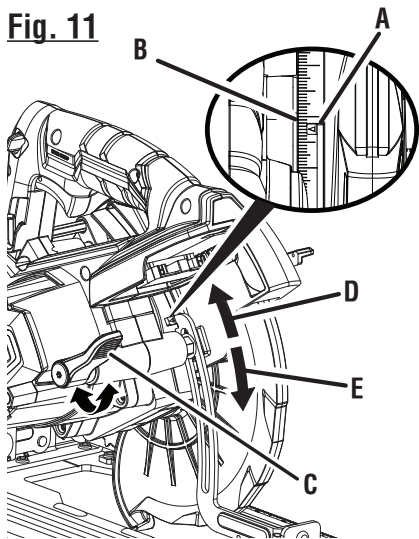
- A - Lock-off button (bouton de verrouillage, botón del seguro de apagado)
- B - Switch trigger (gâchette de commutateur, gatillo del interruptor)

Fig. 10



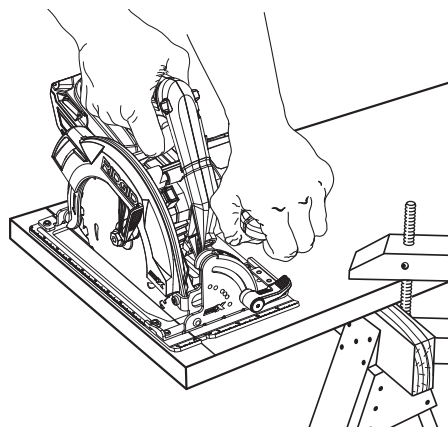
- A - Push the lever in to lock (pour verrouiller, pousser le levier vers l'intérieur, empuje la palanca hacia adentro para trabar)
- B - Pull the lever out to release (pour dégager, tirer le levier vers l'extérieur, tire de la palanca hacia afuera para saltar)
- C - Rotate to desired position (tourner à la position désirée, girela a la posición deseada)

Fig. 11



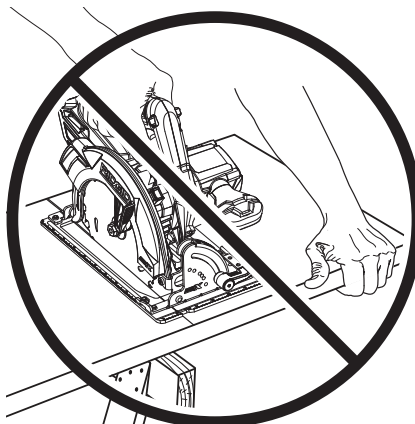
- A - Index point (indication de profondeur, punto indicador)
- B - Depth of cut scale (levier de réglage de profondeur, palanca de ajuste de profundidad)
- C - Depth lock lever (levier de verrouillage de profondeur, palanca de fijación de profundidad)
- D - Raise the saw (relever la scie, levante la sierra)
- E - Lower the saw (abaisser la scie, baje la sierra)

Fig. 12



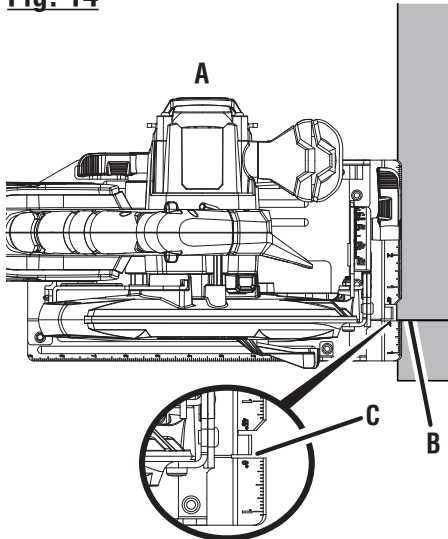
RIGHT / CORRECT / FORMA CORRECTA

Fig. 13



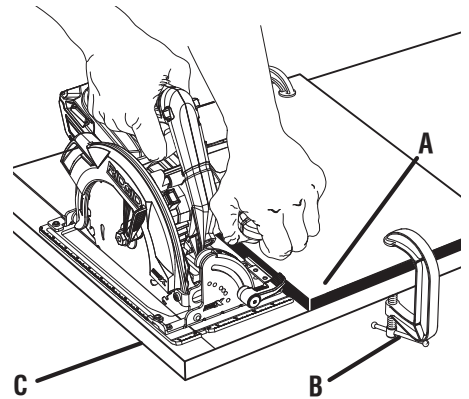
WRONG / INCORRECT / FORMA INCORRECTA

Fig. 14



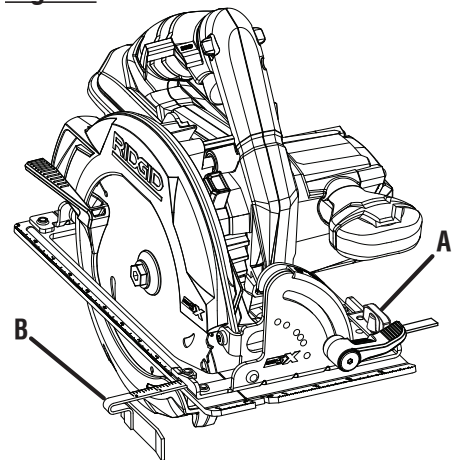
- A - Top view of saw (vue de dessus de la scie, vista superior de la sierra)
- B - Guideline (ligne de guidage, línea guía)
- C - 0° blade guide notch (encoche de guide de lame à 0°, muesca guía de la hoja a 0°)

Fig. 15



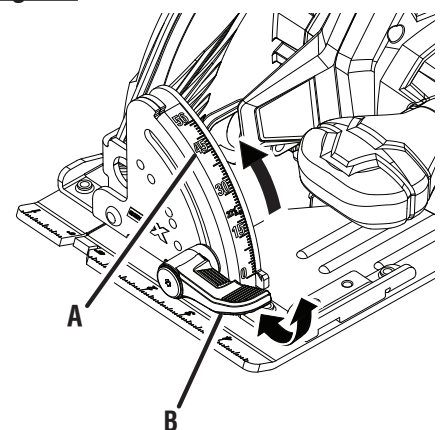
- A - Straight edge (règle, pieza recta)
- B - C-clamps (serre-joint, prensa en C)
- C - Workpiece (pièce, pieza de trabajo)

Fig. 16



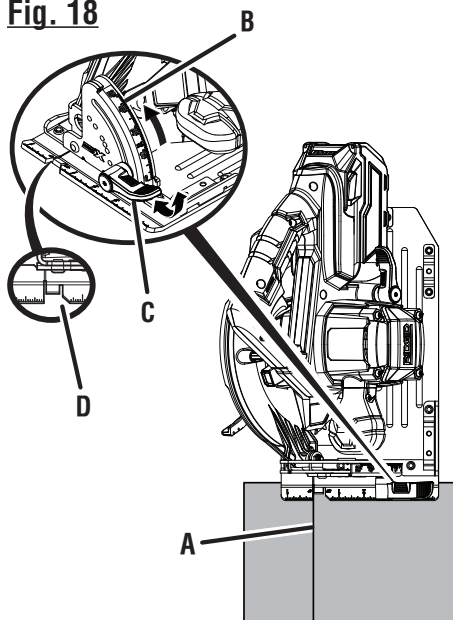
- A - Wing screw (vis papillon, tornillo de mariposa)
- B - Edge guide (guide de chant, guía de bordes)

Fig. 17



- A - Bevel scale (échelle de biseau, escala de bisel)
- B - Bevel lock lever (levier de verrouillage de biseau, palanca de fijación del biseau)

Fig. 18



- A - Guideline (ligne de guidage, línea guía)
- B - Bevel scale (échelle de biseau, escala de bisel)
- C - Bevel lock lever (levier de verrouillage de biseau, palanca de fijación del bisel)
- D - 45° blade guide notch (encoche de guide de lame à 45°, muesca guía de la hoja a 45°)

Fig. 19

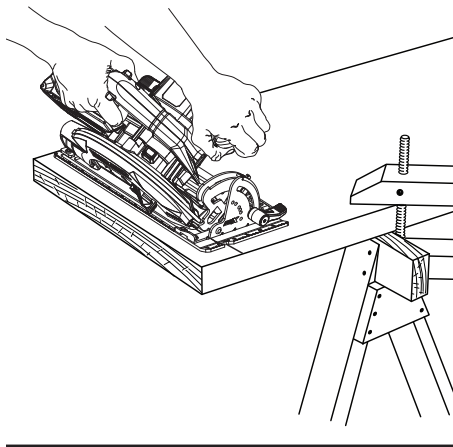
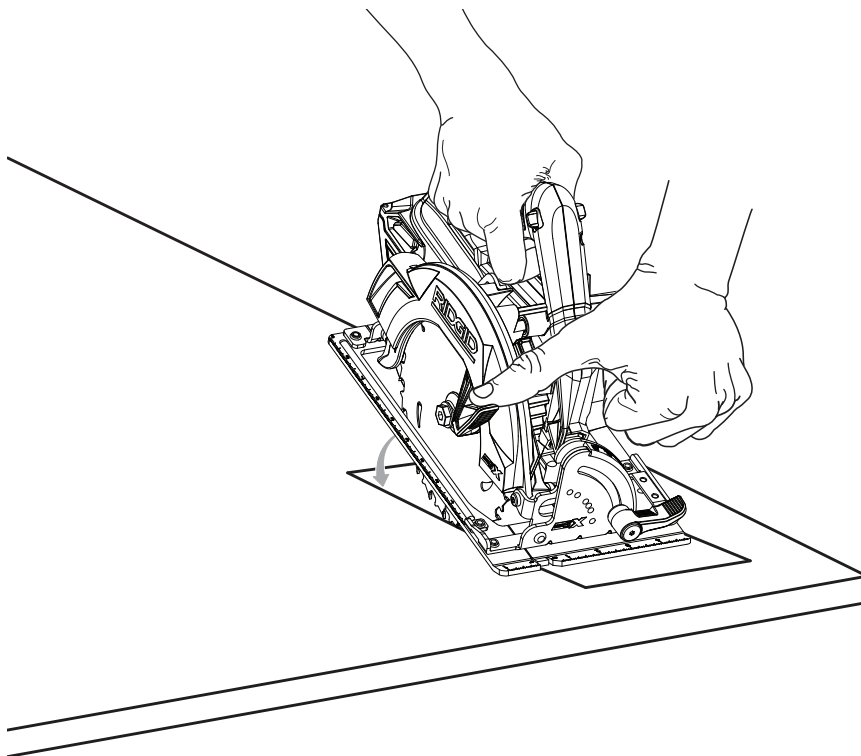


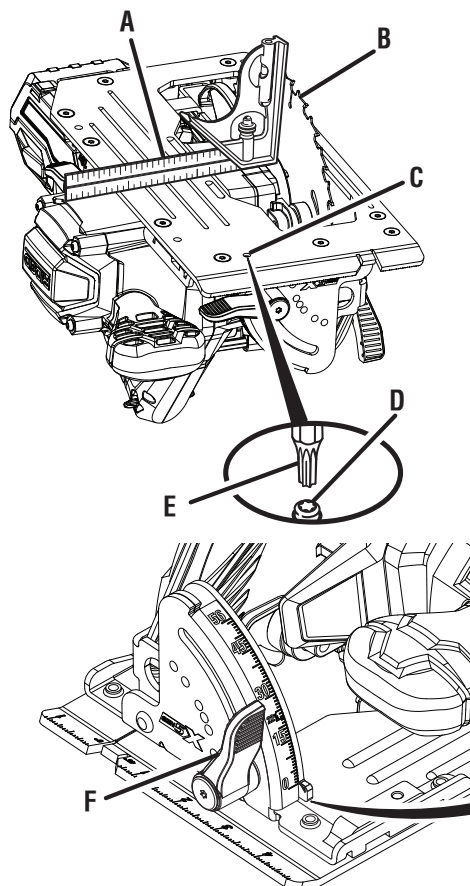
Fig. 20



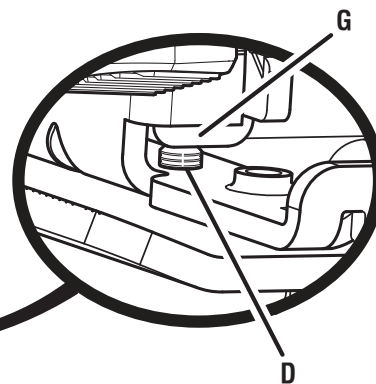
- A - Lower blade guard (garde de lame inférieure, protección inferior de la hoja)

- B - Lower blade guard handle (poignée de garde de lame inférieure, manija de la protección inferior de la hoja)

Fig. 21



- A - Combination square (équerre combinée, escuadra de carpintero)
- B - Blade (lame, hoja)
- C - Screw hole (orifice de las vis, agujero del tornillo)
- D - Torx® T-8 adjustment screw (vis de réglage de Torx® T-8, tornillo de ajuste de Torx® T-8)
- E - Torx® T-8 wrench (clé de Torx® T-8, llave de Torx® T-8)
- F - Bevel lock lever (levier de verrouillage de biseau, palanca de fijación del bisel)
- G - Positive 0° bevel stop (butée fixe de biseau à 0°, tope de bisel a 0°)



OPERATOR'S MANUAL

7-1/4 in. 18 V

CIRCULAR SAW

MANUEL D'UTILISATION

184 mm (7-1/4 po) 18 V

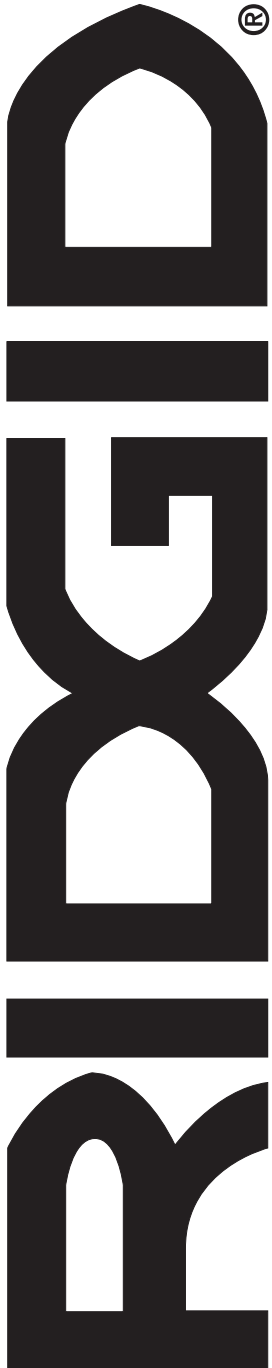
SCIE CIRCULAIRE

MANUAL DEL OPERADOR

184 mm (7-1/4 pulg.) 18 V

SIERRA CIRCULAR

R8652



Customer Service Information:

For parts or service, do not return this product to the store. Contact your nearest RIDGID® authorized service center. Be sure to provide all relevant information when you call or visit. For the location of the authorized service center nearest you, please call 1-866-539-1710 or visit us online at www.ridgid.com.

MODEL NO. _____ SERIAL NO. _____

Service après-vente :

Pour acheter des pièces ou pour un dépannage, ne pas retourner ce produit au magasin. Contacter le centre de réparations RIDGID® agréé le plus proche. Veiller à fournir toutes les informations pertinentes lors de tout appel téléphonique ou visite. Pour obtenir l'adresse du centre de réparations agréé le plus proche, téléphoner au 1-866-539-1710 ou visiter notre site www.ridgid.com.

NO. DE MODÈLE _____ NO. DE SÉRIE _____

Información sobre servicio al consumidor:

Para piezas de repuesto o servicio, no devuelva este producto a la tienda. Comuníquese con el centro de servicio autorizado de productos RIDGID® de su preferencia. Asegúrese de proporcionar todos los datos pertinentes al llamar o al presentarse personalmente. Para obtener información sobre el centro de servicio autorizado más cercano a usted, le suplicamos llamar al 1-866-539-1710 o visitar nuestro sitio en la red mundial, en la dirección www.ridgid.com.

NÚM. DE MODELO _____ NÚM. DE SERIE _____

ONE WORLD TECHNOLOGIES, INC.

P.O. Box 35, Hwy. 8
Pickens, SC 29671, USA
1-866-539-1710 ■ www.ridgid.com

RIDGID is a registered trademark of RIDGID, Inc., used under license.

OPERATOR'S MANUAL 18 VOLT LED FLASHLIGHT R8693

IMPORTANT SAFETY INSTRUCTIONS

⚠ WARNING!

READ AND UNDERSTAND ALL INSTRUCTIONS. Failure to follow all instructions listed below, may result in electric shock, fire and/or serious personal injury.

⚠ WARNING!

When using electric appliances, basic precautions should always be followed, including the following:

SAVE THESE INSTRUCTIONS

- Read all the instructions before using the appliance.
- To reduce the risk of injury, close supervision is necessary when an appliance is used near children.
- Do not use outdoors.
- To reduce the risk of electrical shock, do not put flashlight or charger in water or other liquid. Do not place or store appliance where it can fall or be pulled into a tub or sink.
- Use only the charger supplied by the manufacturer to recharge.
- Use battery only with charger listed. For use with 18 V nickel-cadmium and 18 V lithium-ion battery packs, see tool/appliance/battery pack/charger correlation supplement 988000-302.
- Use only recommended battery pack. Any attempt to use another battery pack will cause damage to your flashlight and could possibly explode, cause a fire, or personal injury.
- Remove battery pack from flashlight before performing any routine maintenance or cleaning.
- Do not disassemble the flashlight.
- Do not place flashlight or battery pack near fire or heat. They may explode. Also, do not dispose of a worn out battery pack by incinerating. Do not incinerate the battery, even if it is severely damaged or completely worn out. The battery may explode in fire.
- Do not operate flashlight or charger near flammable liquids or in gaseous or explosive atmospheres. Internal sparks may ignite fumes.
- Do not store your flashlight in a damp or wet location. Do not store in locations where the temperature is less than 50°F or more than 100°F. Do not store in outside sheds or in vehicles.
- Do not permit children to use flashlight, lens, and surrounding housing.
- If wrapped or in contact with fabrics, the flashlight lens can produce sufficient heat to melt some fabrics. To avoid serious personal injury, never allow the flashlight lens to come in contact with anything.
- Keep light dry, clean, and free from oil and grease. Always use a clean cloth when cleaning. Never use brake fluids, gasoline, petroleum-based products, or any strong solvent to clean the flashlight.
- Don't expose flashlight to rain. Water entering a power tool will increase the risk of electric shock or malfunction.
- Do not overreach. Keep proper footing and balance at all times. Proper footing and balance enable better control of the flashlight in unexpected situations. Do not use on a ladder or unstable support.

FLASHLIGHT USE AND CARE

- This product is for household use only.
- Store flashlight out of the reach of children and other untrained persons. Flashlights are dangerous in the hands of untrained users.

- Do not use or permit use of flashlight in bed or sleeping bags. This flashlight lens can melt fabric and a burn injury could result.

SAFETY RULES FOR FLASHLIGHT

- Always remove battery pack before storing the device.
- Under extreme usage or temperature conditions, battery leakage may occur. If liquid comes in contact with your skin, wash immediately with soap and water. If liquid gets in your eyes, flush them with clean water for at least 10 minutes, then seek immediate medical attention.
- Batteries can explode in the presence of a source of ignition, such as a pilot light. To reduce the risk of serious personal injury, never use any cordless product in the presence of open flame. An exploded battery can propel debris and chemicals. If exposed, flush with water immediately.
- Do not crush, drop or damage battery pack. Do not use a battery pack or charger that has been dropped or received a sharp blow. A damaged battery is subject to explosion. Properly dispose of a dropped or damaged battery immediately. Failure to heed this warning can result in serious personal injury.
- Save these instructions. Refer to them frequently and use them to instruct others who may use this tool. If you loan someone this tool, loan them these instructions also.

SYMBOLS

The following signal words and meanings are intended to explain the levels of risk associated with the product.

SYMBOL	SIGNAL	MEANING
	DANGER:	Indicates an imminently hazardous situation, which, if not avoided, will result in death or serious injury.
	WARNING:	Indicates a potentially hazardous situation, which, if not avoided, could result in death or serious injury.
	CAUTION:	Indicates a potentially hazardous situation, which, if not avoided, may result in minor or moderate injury.
	NOTICE:	(Without Safety Alert Symbol) Indicates important information not related to an injury hazard, such as a situation that may result in property damage.

Some of the following symbols may be used on this product. Please study them and learn their meaning. Proper interpretation of these symbols will allow you to operate the tool better and safer.

SYMBOL	NAME	DESIGNATION/ EXPLANATION
	Safety Alert	Indicates a potential personal injury hazard.
	Read Operator's Manual	To reduce the risk of injury, user must read and understand operator's manual before using this product.
	Wet Conditions Alert	Do not expose battery or internal flashlight components to rain or water.
	Recycle Symbols	This product uses nickel-cadmium (Ni-Cd) and lithium-ion (Li-Ion) batteries. Local, state or federal laws may prohibit disposal of batteries in ordinary trash. Consult your local waste authority for information regarding available recycling and/or disposal options.
V	Volt	Voltage
min	Minutes	Time
	Direct Current	Type or a characteristic of current

OPERATION

⚠ WARNING:

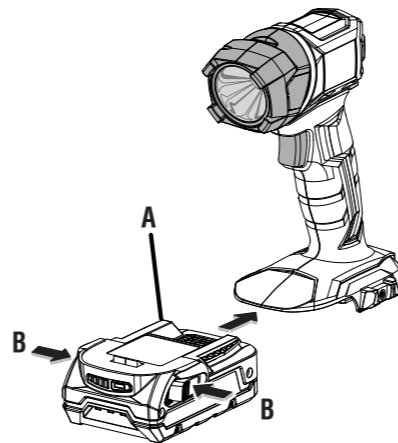
If any parts are damaged or missing do not operate this product until the parts are replaced. Use of this product with damaged or missing parts could result in serious personal injury.

⚠ WARNING:

Do not direct the light beam at persons or animals and do not stare into the light beam yourself (not even from a distance). Staring into the light beam may result in serious injury or vision loss.

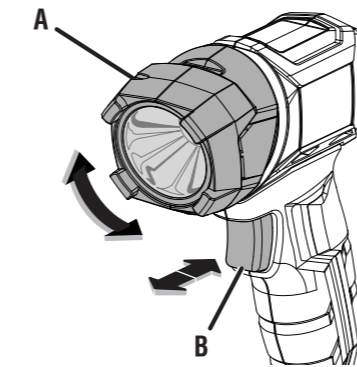
Fig. 1

ALIGN RAISED RIB ON BATTERY PACK WITH GROOVE IN BATTERY PORT



A - Battery pack
B - Depress both latches to release

Fig. 2



A - Rotating head
B - Press on/off switch to turn flashlight on and off.

MAINTENANCE

GENERAL MAINTENANCE

Wipe the flashlight with a clean, dry cloth periodically to remove any dust or debris.

CALIFORNIA PROPOSITION 65

⚠ WARNING:

This product may contain chemicals, including lead, known to the State of California to cause cancer, birth defects or other reproductive harm. **Wash hands after handling.**

MANUEL D'UTILISATION

LAMPE DE POCHE À DÉL DE 18 V

R8693

INSTRUCTIONS IMPORTANTES CONCERNANT LA SÉCURITÉ

⚠ AVERTISSEMENT !

LIRE ET VEILLER À BIEN COMPRENDRE TOUTES LES INSTRUCTIONS. Le non-respect de toutes les instructions ci-dessous peut entraîner un choc électrique, un incendie et/ou des blessures graves.

⚠ AVERTISSEMENT !

Au moment d'utiliser les appareils électriques, les précautions de base doivent être prises, y compris ce qui suit.

CONSERVER CES INSTRUCTIONS

- Lire toutes les instructions avant d'utiliser l'appareil.
- Pour réduire le risque de blessures, une bonne surveillance est nécessaire quand un appareil est utilisé à proximité des enfants.
- Ne pas utiliser à l'extérieur.
- Pour réduire le risque d'un choc électrique, ne pas mettre la lampe de poche ou le chargeur dans l'eau ou autre liquide. Ne pas placer ou entreposer l'appareil dans un endroit où il peut tomber ou être entraîné dans une baignoire ou un évier.
- N'utiliser que le chargeur fournit par le fabricant pour recharge.
- Ne recharger le bloc-pile qu'avec l'appareil indiqué. Pour utiliser l'appareil avec des piles au nickel-cadmium et au lithium-ion de 18 V, consulter le supplément de raccordement pour outil/chargeur/bloc-piles/chargeur n° 988000-302.
- N'utiliser que le bloc-pile recommandé. L'utilisation de tout autre le bloc-pile endommagerait la lampe de poche et pourrait causer une explosion, un incendie et des blessures.
- Retirer le bloc de piles de la lampe de poche avant d'effectuer toute opération de nettoyage ou d'entretien.
- Ne pas démonter la lampe de poche.
- Ne pas placer la lampe de poche ou le bloc-pile à proximité de flammes ou d'une source de chaleur. Ils peuvent exploser. Également, ne pas incinérer une pile usée. Ne pas incinérer la pile, même si elle est complètement usée ou très endommagée. La pile peut exploser dans le feu.
- Ne pas utiliser lampe de poche ou le chargeur à proximité de liquides explosifs, en présence de gaz ou dans une atmosphère explosive. Les étincelles internes peuvent enflammer les vapeurs.
- Ne pas remiser la lampe de poche dans un endroit humide ou mouillé. Ne pas remiser dans des emplacements où la température est inférieure 10 °C (50 °F) à ou supérieure à 38 °C (100 °F). Ne pas remiser dans un remise extérieure ou dans un véhicule.
- Ne pas laisser des enfants utiliser la lampe de poche, lentille et el boîtier.
- Si la lampe de poche est enveloppée ou en contact avec un tissu, le diffuseur peut dégager une chaleur suffisante pour fondre certains tissus. Pour éviter des blessures graves, ne jamais laisser le diffuseur de la lampe entrer en contact avec quoi que ce soit.
- Garder la lampe de poche sèche, propre et exempte d'huile ou de graisse. Toujours utiliser un chiffon propre pour le nettoyage. Ne jamais utiliser de liquide de freins, d'essence, de produits à base de pétrole ou de solvants puissants pour nettoyer la lampe.
- Ne pas exposer la lampe de poche à la pluie. La pénétration d'eau dans des outils électriques accroît le risque de choc électrique ou de problèmes de fonctionnement.

- Ne pas travailler hors de portée. Toujours se tenir bien campé et en équilibre. Une bonne tenue et un bon équilibre permettent de mieux contrôler la lampe en cas de situation imprévue. Ne pas utiliser la lampe sur une échelle ou un support instable.

UTILISATION ET ENTRETIEN DE LA LAMPE DE POCHE

- Ce produit est pour usage domestique seulement.
- Ranger la lampe de poche hors de portée des enfants et des personnes n'ayant pas reçu de formation adéquate. Dans les mains de personnes n'ayant pas reçu des instructions adéquates, les lampes de torche sont dangereuses.
- Ne pas utiliser ou permettre l'utilisation de la lampe au lit ou dans un sac de couchage. Le diffuseur peut fondre certains tissus et causer des brûlures.

RÈGLES DE SÉCURITÉ POUR LAMPE DE POCHE

- Toujours retirer le bloc-piles avant d'entreposer le dispositif.
- Si l'outil est utilisé de façon intensive ou sous des températures extrêmes, des fuites de pile peuvent se produire. En cas de contact du liquide avec la peau, rincer immédiatement la partie atteinte avec de l'eau savonneuse. En cas d'éclaboussure dans les yeux, les rincer à l'eau fraîche pendant au moins 10 minutes, puis contacter immédiatement un médecin.
- Les piles peuvent exploser en présence d'une source d'allumage, telle qu'une veilleuse. Pour réduire les risques de blessures graves, ne jamais utiliser un appareil sans fil, quel qu'il soit, en présence d'une flamme vive. En explosant, une pile peut projeter des débris et des produits chimiques. En cas d'exposition, rincer immédiatement les parties atteintes avec de l'eau.
- Ne pas écraser, faire tomber ou endommager le bloc-pile. Ne jamais utiliser un bloc des piles ou un chargeur qui est tombé, a été écrasé, a reçu un choc violent ou a été endommagé de quelque façon que ce soit. Une pile endommagée risque d'exploser. Éliminer immédiatement toute pile endommagée, selon une méthode appropriée.
- Conserver ces instructions. Les consulter fréquemment et les utiliser pour instruire les autres utilisateurs éventuels. Si cet produit est prêté, il doit être accompagné de ces instructions.

SYMBOLES

Les termes de mise en garde suivants et leur signification ont pour but d'expliquer le degré de risques associé à l'utilisation de ce produit.

SYMBOLE / SIGNAL	SIGNIFICATION
DANGER :	Indique une situation extrêmement dangereuse qui, si elle n'est pas évitée, aura pour conséquences des blessures graves ou mortelles.
AVERTISSEMENT :	Indique une situation potentiellement dangereuse qui, si elle n'est pas évitée, pourrait entraîner des blessures graves ou mortelles.
ATTENTION :	Indique une situation potentiellement dangereuse qui, si elle n'est pas évitée, pourrait entraîner des blessures légères ou de gravité modérée.
AVIS :	(Sans symbole d'alerte de sécurité) Indique une information importante ne concernant pas un risque de blessure comme une situation pouvant occasionner des dommages matériels.

SYMBOLES

Certains des symboles ci-dessous peuvent être présents sur l'outil. Veiller à les étudier et à apprendre leur signification. Une interprétation correcte de ces symboles permettra d'utiliser l'outil plus efficacement et de réduire les risques.

SYMBOLE / NOM	DÉSIGNATION/ EXPLICATION
	Symbole d'alerte de sécurité Indique un risque de blessure potentiel.
	Lire le manuel d'utilisation Pour réduire les risques de blessures, l'utilisateur doit lire et veiller à bien comprendre le manuel d'utilisation avant d'utiliser ce produit.
	Avertissement concernant l'humidité Ne pas exposer l'outil à la pluie ni à l'humidité.
	Symbole de recyclage Ce produit utilise les piles de lithium-ion ou nickel-cadmium. Les réglementations locales ou gouvernementales peuvent interdire de jeter les piles au nickel-cadmium dans les ordures ménagères. Consulter les autorités locales compétentes pour les options de recyclage et/ou l'élimination.
V	Volts Tension
min	Minutes Temps
	Courant continu Type ou caractéristique du courant

UTILISATION

⚠️ AVERTISSEMENT :

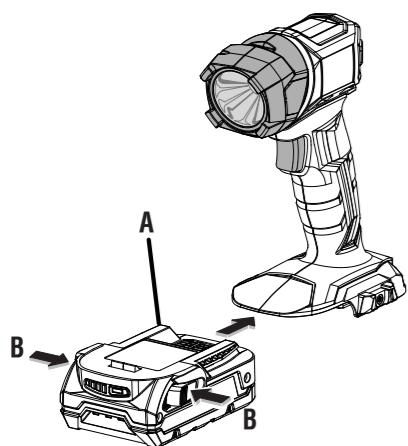
Si des pièces manquent ou sont endommagées, ne pas utiliser cet produit avant qu'elles aient été remplacées. Le fait d'utiliser ce produit même s'il contient des pièces endommagées ou s'il lui manque des pièces peut entraîner des blessures graves.

⚠️ AVERTISSEMENT :

Ne pas fixer la lampe (même à bonne distance). Le fait de fixer la lampe peut causer des blessures graves et même entraîner la perte de la vue.

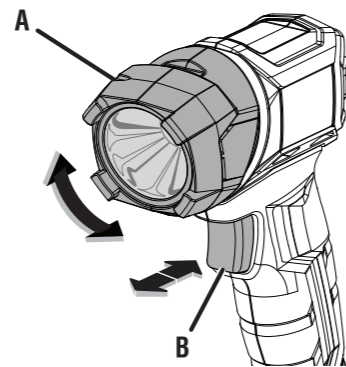
Fig. 1

ALIGNER LA NERVURE DU DE LA BLOC-PILE AVEC CELLE DE L'ORIFICE DE LA PILE



A - Bloc-piles
B - Appuyer sur les deux verrous pour libérer

Fig. 2



A - Tête rotative
B - Appuyer sur l'interrupteur ON/OFF (marche/arrêt) pour allumer ou éteindre la lampe de poche

ENTRETIEN

ENTRETIEN GÉNÉRAL

Essuyer la lampe avec un chiffon propre et sec périodiquement pour enlever la poussière et les débris.

PROPOSITION 65 DE L'ÉTAT DE CALIFORNIE

⚠️ AVERTISSEMENT :

Ce produit peut contenir des produits chimiques, notamment du plomb, identifiés par l'état de Californie comme causes de cancer, de malformations congénitales et d'autres troubles de l'appareil reproducteur. **Bien se laver les mains après toute manipulation.**

— Español —

MANUAL DEL OPERADOR

LINTERNA CON DIODO LUMINISCENTE DE 18 V

R8693

INSTRUCCIONES DE SEGURIDAD IMPORTANTES

⚠️ ¡ADVERTENCIA!

LEA Y COMPRENDA TODAS LAS INSTRUCCIONES. El incumplimiento de las instrucciones señaladas enseguida puede causar descargas eléctricas, incendios y lesiones serias.

⚠️ ¡ADVERTENCIA!

Siempre se deben tomar precauciones básicas al usar aparatos eléctricos, incluidas las siguientes:

GUARDE ESTAS INSTRUCCIONES

- Lea todas las instrucciones antes de usar el aparato.
- Para reducir el riesgo de lesiones, se requiere una estrecha supervisión cuando se use el aparato cerca de niños.
- No utilice el aparato en el exterior.
- Para reducir el riesgo de descarga eléctrica, no ponga la lámpara ni el cargador en el agua ni en otro líquido. No coloque ni guarde el aparato donde pueda caer o ser arrastrado a una bañera, lavamanos o fregadero.
- Use únicamente el cargador suministrado por el fabricante para recargar el aparato.
- Cargue las baterías solamente con el cargador indicado. Para utilizar con paquetes de baterías de níquel-cadmio de 18 V o de iones de litio de 18 V, consulte el folleto de la herramienta/aparato/paquete de baterías/cargador complementario 988000-302.

■ Utilice solamente la baterías recomendados. Cualquier intento de utilizar otra baterías causará daños a la linterna, y posiblemente podría explotar, causando un incendio o lesiones corporales.

■ Quite la baterías de la linterna antes de realizar cualquier tarea rutinaria de mantenimiento o limpieza.

■ No desarme la linterna.

■ No coloque la linterna ni la baterías cerca del fuego o del calor. Pueden explotar. Además, no deseche la baterías incinerándola cuando se agote. No incinere la baterías, incluso si está seriamente dañada o completamente agotada. La baterías puede estallar e inflamarse.

■ No utilice la linterna ni el cargador cerca de líquidos inflamables ni en entornos gaseosos o explosivos. Las chispas internas pueden inflamar las emanaciones.

■ No guarde la linterna en lugares mojados o húmedos. No guarde la unidad en lugares donde la temperatura sea inferior a 10 °C (50 °F) o superior a 38 °C (100 °F). No guarde la unidad a la intemperie ni en el interior de vehículos.

■ No permita a los niños utilizar la linterna, lente y el alojamiento.

■ Si la lente de la linterna se envuelve o se pone en contacto con telas, puede generar el suficiente calor para derretir algunas de ellas. Para evitar lesiones corporales serias, nunca permita que la lente de la linterna toque nada.

■ Mantenga la lámpara seca, limpia y libre de aceites y grasas. Siempre utilice un paño limpio para limpiar la unidad. Nunca utilice fluidos para frenos, gasolina, productos a base de petróleo ni disolventes fuertes para limpiar la linterna.

■ No esponga la linterna a la lluvia. El agua que penetra a una herramienta eléctrica aumenta el riesgo de descargas eléctricas o mal funcionamiento.

■ No estire el cuerpo para alcanzar un distancia mayor a la natural. Mantenga una postura firme y buen equilibrio en todo momento. Una postura firme y un buen equilibrio permiten un mejor control de la linterna en situaciones inesperadas. No utilice la unidad al estar en una escalera o en un soporte inestable.

EMPLEO Y CUIDADO DE LA LINTERNA

■ Este producto es para uso doméstico únicamente.

■ Guarde la linterna fuera del alcance de los niños y de toda persona no capacitada en el uso de la misma. Las linterna son peligrosas en manos de personas no capacitadas en su uso.

■ No use ni permita que se use la linterna al estar en cama ni en sacos de dormir. La lente de esta linterna puede derretir telas, con lo cual podrían resultar lesiones por quemadura.

REGLAS DE SEGURIDAD PARA EL USO DE LINTERNA CON BATERÍAS

■ Retire siempre el paquete de baterías antes de guardar la unidad.

■ En condiciones extremas de uso o temperatura es posible que se derrame fluido de la baterías. Si el fluido llega a tocarle la piel, lávese de inmediato con agua y jabón. Si le entra líquido en los ojos, láveselos con agua limpia por lo menos 10 minutos, y después consiga atención médica de inmediato.

■ Las baterías emanan pueden explotar en presencia de fuentes de inflamación, como los pilotos de gas. Para reducir el riesgo de lesiones serias, nunca use un producto inalámbrico en presencia de llamas expuestas. La explosión de una baterías puede lanzar fragmentos y compuestos químicos. Si ha estado expuesto a la explosión de una baterías, lávese de inmediato con agua.

■ No aplaste, deje caer o dañe de baterías. Nunca utilice una baterías o cargador que se ha caído, aplastado, recibido un golpe contundente o ha sido dañado(a) de alguna manera. Las baterías dañadas pueden sufrir explosiones. Deseche de inmediato toda pila que haya sufrido una caída o cualquier daño.

■ Guarde estas instrucciones. Consúltelas con frecuencia y empléelas para instruir a otras personas que puedan utilizar esta herramienta. Si presta a alguien esta herramienta, facilítele también las instrucciones.

SÍMBOLOS

Las siguientes palabras de señalización y sus significados tienen el objeto de explicar los niveles de riesgo relacionados con este producto.

SÍMBOLO / SEÑAL	SIGNIFICACION
PELIGRO:	Indica una situación peligrosa inminente, la cual, si no se evita, causará la muerte o lesiones serias.
ADVERTENCIA:	Indique una situación potencialmente peligrosa que, si ella no se evita, podría entrañar desblessures graves o mortelles.
PRECAUCIÓN:	Indique una situación potencialmente peligrosa que, si ella no se evita, podría entrañar desblessures légères ou de gravité modérée.
AVISO:	(Sin el símbolo de alerta de seguridad) Indica información importante no relacionada con ningún peligro de lesiones, como una situación que puede ocasionar daños físicos.

Es posible que se empleen en esta herramienta algunos de los siguientes símbolos. Le replicamos estudiarlos y aprender su significado. Una correcta interpretación de estos símbolos le permitirá utilizar mejor y de manera más segura la herramienta.

SÍMBOLO / NOMBRE	DENOMINACIÓN/ EXPLICACIÓN
	Alerta de seguridad Indica un peligro posible de lesiones personales.
	Lea el manual del operador Para reducir el riesgo de lesiones, el usuario debe leer y comprender el manual del operador antes de usar este producto.
	Alerta de condiciones húmedas No esponga la unidad a la lluvia ni la use en lugares húmedos.
	Símbolos de reciclado Este producto contiene baterías de níquel-cadmio o iones de litio. Es posible que algunas leyes municipales, estatales o federales prohíban desechar las baterías de níquel-cadmio en la basura normal. Consulte a las autoridades reguladoras de desechos para obtener información en relación con las alternativas de reciclado y desecho disponibles.
V	Voltios Voltaje
min	Minutos Tiempo
	Corriente continua Tipo o característica de corriente

FUNCIONAMIENTO

⚠️ ADVERTENCIA:

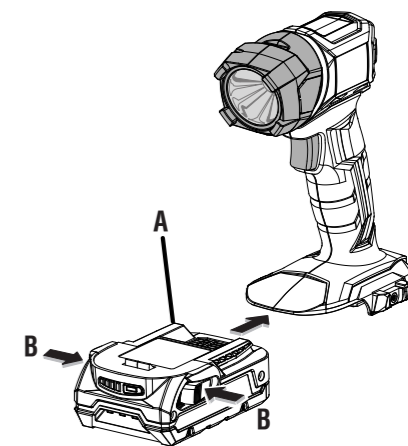
Si hay piezas dañadas o faltantes, no utilice este producto sin haber reemplazado las piezas dañadas o faltantes. Usar este producto con partes dañadas o faltantes puede causar lesiones serias al operador.

⚠️ ADVERTENCIA:

Evite mirar de frente el rayo de luz (aunque se encuentre lejos). Mirar de frente el rayo de luz puede causar lesiones graves o pérdida de la visión.

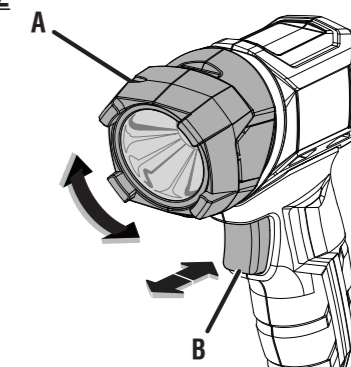
Fig. 1

ALINEE LA COSTILLA REALIZADA DE LA BATERÍAS CON LA RANURA DE SU RECEPTÁCULO



A - Paquete de baterías
B - Oprima ambas presillas para soltarlo

Fig. 2



A - Cabeza giratoria
B - Presionar el interruptor de apagado y encendido para encender o apagar la linterna

MANTENIMIENTO

MANTENIMIENTO GENERAL

Limpie con un paño limpio la linterna periódicamente para eliminar el polvo o los desechos.

CALIFORNIA - PROPUESTA DE LEY NÚM. 65

⚠️ ADVERTENCIA:

Este producto puede contener sustancias químicas (por ejemplo, plomo) reconocidas por el estado de California como causantes de cáncer, defectos congénitos y otras afecciones del aparato reproductor. **Lávese las manos después de utilizar el aparato.**

For Warranty and Policy details, to request service, purchase replacement parts, locate an Authorized Service Center, and obtain Customer or Technical Support: Do not return this product to the store. Visit www.RIDGID.com or call 1-866-539-1710

Pour obtenir les détails de la garantie et de la politique, pour faire une demande de réparations ou obtenir des pièces de rechange, trouver un Centre de réparations agréé pour obtenir un soutien technique ou le Service à la clientèle :

Ne pas retourner ce produit au magasin. Visiter www.RIDGID.com ou en téléphonant au 1-866-539-1710

Para la garantía y de detalles de directiva, para obtener servicio, comprar piezas de repuesto, localizar un centro de servicio autorizado y obtener Servicio o Asistencia Técnica al Consumidor: No devuelva este producto a la tienda. Visite www.RIDGID.com o llame al 1-866-539-1710

ONE WORLD TECHNOLOGIES, INC.

P.O. Box 35, Hwy. 8, Pickens, SC 29671

Phone / Téléphone / Teléfono 1-866-539-1710

www.RIDGID.com



18 V LITHIUM-ION BATTERY PACK R840083, R840085, R840086, R840087 SERIES

Use this battery pack for RIDGID® 18V Lithium-ion cordless products only. Refer to the Operator's Manual provided with product. Always mention the appropriate model number when communicating with us regarding your battery pack.

SAFETY RULES

⚠ WARNING!

READ AND UNDERSTAND ALL INSTRUCTIONS. Failure to follow all instructions listed below, may result in electric shock, fire and/or serious personal injury.

- **Battery tools do not have to be plugged into an electrical outlet; therefore, they are always in operating condition. Be aware of possible hazards when not using your battery tool or when changing accessories.** Following this rule will reduce the risk of electric shock, fire, or serious personal injury.
- **Do not place battery tools or their batteries near fire or heat.** This will reduce the risk of explosion and possibly injury.
- **Do not crush, drop or damage battery pack. Do not use a battery pack or charger that has been dropped or received a sharp blow.** A damaged battery is subject to explosion. Properly dispose of a dropped or damaged battery immediately.
- **Batteries can explode in the presence of a source of ignition, such as a pilot light.** To reduce the risk of serious personal injury, never use any cordless product in the presence of open flame. An exploded battery can propel debris and chemicals. If exposed, flush with water immediately.
- **Do not charge battery tool in a damp or wet location.** Following this rule will reduce the risk of electric shock.
- **Charge only with RIDGID 18V dual chemistry battery chargers. Use of other chargers may result in personal injury, fire, or damage.**
- **Do not charge in an area of extreme heat or cold. It will work best at normal room temperature.** To reduce the risk of serious personal injury, do not store outside or in vehicles.
- **Under extreme usage or temperature conditions, battery leakage may occur. If liquid comes in contact with your skin, wash immediately with soap and water. If liquid gets into your eyes, flush them with clean water for at least 10 minutes, then seek immediate medical attention.** Following this rule will reduce the risk of serious personal injury.

- **When battery pack is not in use, keep it away from other metal objects like: paper clips, coins, keys, nails, screws, or other small metal objects that can make a connection from one terminal to another.** Shorting the battery terminals together may cause sparks, burns, or a fire.
- **Always remove battery pack from your tool when you are assembling parts, making adjustments, cleaning, or when not in use.** Removing battery pack will prevent accidental starting that could cause serious personal injury.
- **Always remove battery pack before storing the device.**
- **Always wear eye protection with side shields marked to comply with ANSI Z87.1.** Failure to do so could result in objects being thrown into your eyes and other possible serious injuries.
- **Keep battery pack dry, clean, and free from oil and grease.** Always use a clean cloth when cleaning. Never use brake fluids, gasoline, petroleum-based products, or any solvents to clean battery pack.
- **Save these instructions.** Refer to them frequently and use them to instruct others who may use this tool. If you loan someone this tool, loan them these instructions also to prevent misuse of the product and possible injury.

CALIFORNIA PROPOSITION 65

⚠ WARNING:

This product contains chemicals, including lead, known to the State of California to cause cancer, birth defects and other reproductive harm. **Wash hands after handling.**

OPERATION

LITHIUM-ION BATTERY PACKS

Lithium-ion batteries deliver fade free power for their entire run time. Lithium-ion tools will not gradually lose power due to decreasing battery charge. Instead, power from the battery pack will drop from full to zero once the full charge has been drained from the battery. Once this happens, recharging of the battery is required. It is not necessary to drain the battery pack completely before recharging.

BATTERY PROTECTION FEATURES

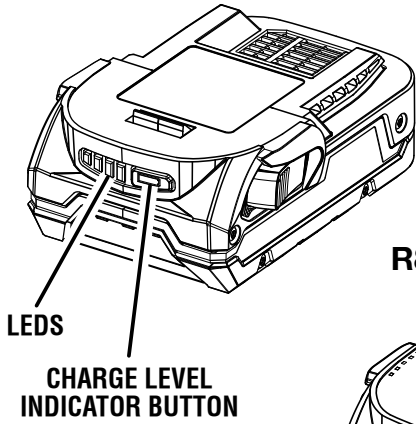
Lithium-ion battery packs are designed with features that protect the lithium-ion cells and maximize battery life.

If the tool stops during use, release the trigger to reset and resume operation. If the tool still does not work, the battery needs to be recharged.

COLD WEATHER OPERATION

The lithium-ion battery pack can be used in temperatures down to -4°F (-20°C). Put the battery pack on a tool and use the tool in a light duty application. After about a minute, the pack will warm up and begin operating normally.

R840085, R840086



R840083, R840087

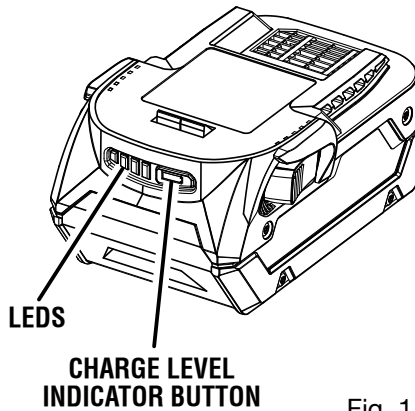


Fig. 1

BATTERY FUEL GAUGE

See Figure 1

To display the amount of charge left in the battery, press the charge level indicator button:

LED FUNCTIONS	CHARGE STATUS
	Need to Charge
	0 - 25%
	25 - 50%
	50 - 75%
	75 - 100%

CHARGING THE BATTERY PACK

Battery packs are shipped in a low charge condition to prevent possible problems. Therefore, you should charge prior to first use. If the charger does not charge the battery pack under normal circumstances, return both the battery pack and charger to your nearest Authorized Service Center for electrical check.

- Charge the battery pack only with the recommended charger.
- Refer to charger operator's manual for charging instructions.

CHARGING A HOT BATTERY PACK

When using a tool continuously, the battery pack may become hot. A hot battery pack may be placed directly onto the charger port but charging will not begin until the battery temperature cools to within acceptable temperature range.

When a hot battery pack is placed on the charger, the charger may indicate the pack is not ready to charge. Please refer to charger operator's manual. When the battery pack cools, the charger will automatically begin charging.

CHARGING A COLD BATTERY PACK

A cold battery pack may be placed directly onto the charger port but charging will not begin until the battery temperature warms to within acceptable temperature range. When a cold battery pack is placed on the charger, the charger may indicate the pack is not ready to charge. Please refer to charger operator's manual. When the battery pack warms, the charger will automatically begin charging.

MAINTENANCE

BATTERIES

These batteries have been designed to provide maximum trouble-free life. However, like all batteries, they will eventually wear out. Do not disassemble battery pack and attempt to replace the batteries. Handling of these batteries, especially when wearing rings and jewelry, could result in a serious burn.

To obtain the longest possible battery life, we suggest the following:

- Remove the battery pack from the charger once it is fully charged and ready for use.

For battery pack storage longer than 30 days:

- Store the battery pack where the temperature is below 80°F and away from moisture.
- Store battery packs in a 30%-50% charged condition.
- Every six months of storage, charge the pack as normal.

BATTERY PACK REMOVAL AND PREPARATION FOR RECYCLING



To preserve natural resources, please recycle or dispose of batteries properly.

This product contains lithium-ion batteries. Local, state or federal laws may prohibit disposal of batteries in ordinary trash.

Consult your local waste authority for information regarding available recycling and/or disposal options.

WARNING!

Upon removal, cover the battery pack's terminals with heavy-duty adhesive tape. Do not attempt to destroy or disassemble battery pack or remove any of its components. Batteries must be recycled or disposed of properly. Also, never touch both terminals with metal objects and/or body parts as short circuit may result. Keep away from children. Failure to comply with these warnings could result in fire and/or serious injury.

One World Technologies, Inc.

P.O. Box 35, Hwy. 8
Pickens, SC 29671, USA



18 V LITHIUM-ION BLOC-PILES R840083, R840085, R840086, R840087 SÉRIE

Utiliser ce bloc-piles uniquement avec les produits sans fil au lithium ion de 18 V de marque RIDGID®. Consulter le manuel d'utilisation fourni avec le produit. Toujours mentionner le numéro de modèle ci-dessus lors de toute communication concernant le bloc-piles.

RÈGLES DE SÉCURITÉ

▲ AVERTISSEMENT !

LEA Y COMPRENDA TODAS LAS INSTRUCCIONES.
El incumplimiento de las instrucciones señaladas abajo puede causar descargas eléctricas, incendios y lesiones corporales serias

- **Les outils fonctionnant sur piles n'ayant pas besoin d'être branchés sur une prise secteur, ils sont toujours en état de fonctionnement. Tenir compte des dangers possibles lorsque l'outil n'est pas en usage et lors du remplacement des piles.** Le respect de cette consigne réduira les risques d'incendie, de choc électrique et de blessures graves.
- **Ne pas placer les outils électriques sans fil ou leurs piles à proximité de flammes ou d'une source de chaleur.** Ceci réduira les risques d'explosion et de blessures.
- **Ne pas écraser, faire tomber ou endommager le bloc-piles. Ne jamais utiliser un bloc-piles ou un chargeur qui est tombé, a été écrasé, a reçu un choc violent ou a été endommagé de quelque façon que ce soit.** Une pile endommagée risque d'exploser. Éliminer immédiatement toute pile endommagée, selon une méthode appropriée.
- **Les piles peuvent exploser en présence d'une source d'allumage, telle qu'une veilleuse.** Pour réduire les risques de blessures graves, ne jamais utiliser un appareil sans fil, quel qu'il soit, en présence d'une flamme vive. En explosant, une pile peut projeter des débris et des produits chimiques. En cas d'exposition, rincer immédiatement les parties atteintes avec de l'eau.
- **Ne pas recharger le bloc-piles dans un endroit humide ou mouillé.** Le respect de cette règle réduira les risques de choc électrique.
- **Se charge uniquement à l'aide d'un chargeur à composition chimique double pour piles de RIDGID 18 V. L'utilisation d'autres chargeurs peut occasionner des blessures, un incendie ou des dommages.**
- **Ne pas charger le bloc-piles dans des conditions extrêmement chaudes ou froides. Il fonctionne le mieux à température ambiante.** Ne pas ranger l'outil à l'extérieur ou dans un véhicule.
- **Si l'outil est utilisé de façon intensive ou sous des températures extrêmes, des fuites de pile peuvent se produire. En cas de contact du liquide avec la peau, rincer immédiatement la partie atteinte avec de l'eau savonneuse. En cas d'éclaboussure dans les yeux, les rincer à l'eau fraîche pendant au moins 10 minutes, puis contacter immédiatement un médecin.** Le respect de cette consigne réduira les risques de blessures graves.

- **Lorsque le bloc-piles n'est pas en usage, le tenir à l'écart d'articles métalliques tels que : les attaches trombones, pièces de monnaie, clés, clous, vis et autres petits objets métalliques risquant d'établir le contact entre les deux bornes.** La mise en court-circuit des bornes de piles peut causer des étincelles, des brûlures ou un incendie.
- **Toujours retirer le bloc-piles de l'outil au moment d'assembler des pièces, d'effectuer des réglages et de procéder au nettoyage, ou lorsque l'outil n'est pas utilisé.** Le fait de retirer le bloc-piles permet d'empêcher un démarrage accidentel pouvant entraîner des blessures graves.
- **Toujours retirer le bloc-piles avant d'entreposer le dispositif.**
- **Toujours porter une protection oculaire avec écrans latéraux certifiée conforme à la norme ANSI Z87.1.** Ne pas suivre cette directive pourrait entraîner des blessures graves, par exemple si l'appareil projetait des objets dans vos yeux.
- **Garder le bloc-piles sec, propre et exempt d'huile et de graisse.** Toujours utiliser un chiffon propre pour le nettoyage. Ne jamais utiliser de liquide de freins, d'essence, de produits à base de pétrole ou un quelconque solvant pour nettoyer le bloc-piles.
- **Conserver ces instructions.** Les consulter fréquemment et les utiliser pour instruire les autres utilisateurs éventuels. Si cet outil est prêté, il doit être accompagné de ces instructions, afin d'éviter un usage incorrect et d'éventuelles blessures.

PROPOSITION 65 DE L'ÉTAT DE CALIFORNIE

▲ AVERTISSEMENT :

Ce produit peut contenir des produits chimiques, notamment du plomb, identifiés par l'état de Californie comme causes de cancer, de malformations congénitales et d'autres troubles de l'appareil reproducteur. **Bien se laver les mains après toute manipulation.**

UTILISATION

BLOC-PILES AU LITHIUM-ION

Les bloc-piles au lithium-ion fournissent une puissance sans affaiblissement durant toute leur durée d'utilisation. Les outils fonctionnant avec une bloc-pile au lithium-ion ne perdent pas graduellement leur puissance en raison d'une baisse de la charge de bloc-pile. Au contraire, la puissance du bloc-piles passe de pleine à nulle une fois la bloc-pile déchargée. Une fois que ceci a lieu, la bloc-pile doit être rechargée. Il n'est pas nécessaire de vider complètement le bloc-piles avant de le recharger.

CARACTÉRISTIQUES RELATIVES À LA PROTECTION DES PILES

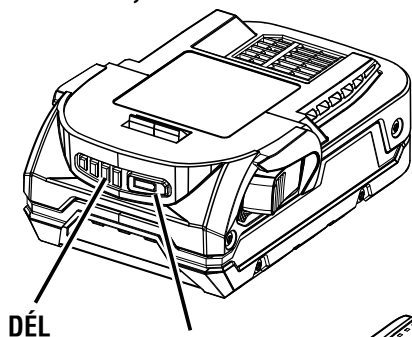
Les piles au lithium-ion possèdent des caractéristiques visant à protéger les cellules au lithium-ion et à maximiser la durée de vie de la pile.

Si l'outil s'arrête en cours d'utilisation, relâcher la gâchette pour le réenclencher et reprendre l'opération. Si l'outil ne fonctionne toujours pas, cela signifie qu'il est nécessaire de recharger la pile.

CHARGE D'UN BLOC-PILES FROID

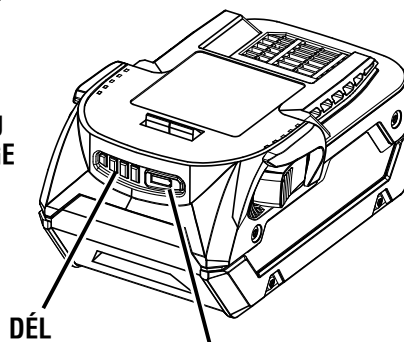
Le bloc-piles au lithium-ion peut être utilisé à des températures descendant à -20 °C (-4 °F). Mettre le bloc-piles sur l'outil et utiliser l'outil pour une application légère. Après environ une minute, le bloc-piles s'est chauffé et commence à fonctionner normalement.

R840085, R840086



DÉL
BOUTON DE
L'INDICATEUR DU
NIVEAU DE CHARGE

R840083, R840087






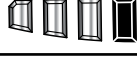

DÉL
BOUTON DE
L'INDICATEUR DU
NIVEAU DE CHARGE

Fig. 1

INDICATEUR DE CHARGE DES PILES

Voir la figure 1

Pour afficher la charge restante de la pile, appuyer sur le bouton de l'indicateur de niveau de charge :

FONCTIONS DU TÉMOIN	ÉTAT DE LA CHARGE
	Nécessaire de charger
	0 - 25 %
	25 - 50 %
	50 - 75 %
	75 - 100 %

POUR CHARGER

Les bloc-piles de cet outil ont été expédiées dans un état de charge faible pour éviter d'éventuels problèmes. Il est donc nécessaire de charger les bloc-piles avant d'utiliser l'outil. Si les bloc-piles ne se rechargent pas dans des conditions normales, les retourner, ainsi que le chargeur et le stand au centre de réparations agréé le plus proche pour une vérification électrique.

- Ne recharger les piles qu'avec l'appareil recommandé.
- Pour prendre connaissance des instructions relatives à la charge, lire le manuel d'utilisation fourni avec le chargeur.

CHARGE D'UN PILE CHAUD

Le bloc-piles peut devenir chaud lorsque l'outil est utilisé continuellement. Un chargeur chaud peut être placé directement sur le port du chargeur, mais la charge ne commencera que lorsque la température de la pile atteindra la plage de température acceptable. Lorsqu'un bloc-piles chaud est inséré dans le

chargeur, la DEL rouge commencera à clignoter alors que la DEL verte sera éteinte. Une fois le bloc-piles refroidit, le chargeur passe automatiquement en mode de charge.

CHARGE D'UN BLOC-PILES FROID

Un chargeur froid peut être placé directement sur le port du chargeur, mais la charge ne commencera que lorsque la température de la pile atteindra la plage de température acceptable. Lorsqu'un bloc-piles froid est inséré dans le chargeur, la DEL rouge commencera à clignoter alors que la DEL verte sera éteinte. Une fois le bloc-piles les réchauffe, le chargeur passe automatiquement en mode de charge.

ENTRETIEN

BLOC-PILES

Les piles utilisées dans le bloc d'alimentation sont conçues pour une longue vie utile, sans problèmes. Toutefois, comme toutes les piles, elles finiront par s'épuiser. Ne pas démonter le bloc-piles ou essayer de remplacer les piles. La manipulation de ces piles, en particulier si l'on porte des bagues ou autres bijoux, peut causer des brûlures graves.

Pour obtenir une vie utile maximum des piles nous recommandons de :

- Retirer le bloc-piles du chargeur dès qu'il est complètement chargé et prêt à l'emploi.

Pour le remisage de bloc-piles pendant plus de 30 jours :

- Remiser le bloc-piles dans un local où la température est inférieure à 27 °C (80 °F) et à l'abri de l'humidité.
- Remiser les blocs de piles 30 %-50 % chargés.
- Tous les six mois de remisage, charger normalement le bloc-piles.

RETRAIT ET PRÉPARATION DU BLOC-PILES POUR LE RECYCLAGE



Pour préserver les ressources naturelles, les piles doivent être recyclées ou éliminées selon une méthode appropriée.

Ce produit utilise des piles au lithium-ion. Les réglementations locales ou gouvernementales peuvent interdire de jeter les piles au dans les ordures ménagères. Consulter les autorités locales compétentes pour les options de recyclage et/ou l'élimination.

⚠ AVERTISSEMENT !

Après avoir retiré le bloc-piles, couvrir ses bornes avec un ruban adhésif de qualité industrielle. Ne pas essayer de démonter ou détruire le bloc-piles, ni de retirer des composants quels qu'ils soient. Les piles épuisées doivent être recyclées ou éliminées selon une méthode appropriée. Ne jamais toucher les deux bornes avec des objets en métal ou une partie du corps, car cela pourrait créer un court-circuit. Garder hors de la portée des enfants. Le non-respect de ces mises en garde peut résulter en un incendie et/ou des blessures graves.

One World Technologies, Inc.

P.O. Box 35, Hwy. 8

Pickens, SC 29671, États-Unis

RIDGID®

PAQUETE DE BATERÍAS 18 V DE IONES DE LITIO R840083, R840085, R840086, R840087 SERIE

Use este paquete de baterías únicamente en productos inalámbricos que usan baterías RIDGID® de iones de litio de 18 V. Consulte el manual del operador suministrado con el producto. Al comunicarse con nosotros en relación con el paquete de baterías, siempre mencione el número correspondiente del modelo.

REGLAS DE SEGURIDAD

⚠ ¡ADVERTENCIA!

LEA Y COMPRENDA TODAS LAS INSTRUCCIONES.

El incumplimiento de las instrucciones señaladas abajo puede causar descargas eléctricas, incendios y lesiones corporales serias.

- **No se necesita conectar a una toma de corriente las herramientas de baterías; por lo tanto, siempre están en condiciones de funcionamiento. Esté consciente de los posibles peligros cuando no esté usando la herramienta de baterías o cuando esté cambiando los accesorios de la misma.** Con el cumplimiento de esta regla se reduce el riesgo de una descarga eléctrica, incendio o lesión corporal seria.
- **No coloque herramientas de baterías ni las baterías mismas cerca del fuego o del calor.** De esta manera se reduce el riesgo de explosiones y de lesiones.
- **No aplaste, deje caer o dañe la batería. Nunca utilice una batería o cargador que se ha caído, aplastado, recibido un golpe contundente o ha sido dañado(a) de alguna manera.** Las baterías dañadas pueden sufrir explosiones. Deseche de inmediato toda batería que haya sufrido una caída o cualquier daño.
- **Las baterías pueden explotar en presencia de una fuente de inflamación, como una luz guía.** Para reducir el riesgo de lesiones corporales serias, nunca use un producto inalámbrico en presencia de llamas vivas. La explosión de una batería puede lanzar fragmentos y compuestos químicos. Si ha quedado expuesto a la explosión de una batería, lávese de inmediato con agua.
- **No cargue ninguna batería en lugares mojados o húmedos.** Con el cumplimiento de esta regla se reduce el riesgo de una descarga eléctrica.
- **Se carga únicamente con cargadores químicos dobles de RIDGID de 18 V. Usar otros cargadores puede causar lesiones personales, fuego o daños.**
- **No cargue la batería en áreas de frío o calor extremos. Es mejor hacerlo a temperatura ambiente normal.** No la guarde a la intemperie ni en el interior de vehículos.
- **En condiciones extremas de uso o temperatura las baterías pueden emanar líquido. Si el líquido llega a tocarle la piel, lávese de inmediato con agua y jabón, y después neutralice los efectos con jugo de limón o vinagre. Si le entra líquido en los ojos, láveselos con agua limpia por lo menos 10 minutos, y después busque de inmediato atención médica.** Con el cumplimiento de esta regla se reduce el riesgo de lesiones corporales serias.

- **Cuando no esté usando el paquete de baterías, manténgala alejado de todo objeto metálico como: clips, monedas, llaves, clavos, tornillos y otros objetos metálicos pequeños que puedan establecer conexión entre ambas terminales.** Establecer una conexión directa entre las dos terminales puede causar chispas, quemaduras o incendios.
- **Siempre retire el paquete de baterías de la herramienta cuando esté ensamblando partes, realizando ajustes, limpiando o cuando ésta no esté en uso.** Si retira el paquete de baterías, evitará arranques accidentales que podrían provocar lesiones graves.
- **Siempre retire el paquete de baterías antes de guardar el dispositivo.**
- **Siempre póngase protección ocular con protección lateral con la marca de cumplimiento de la norma ANSI Z87.1.** La inobservancia de esta advertencia puede causar el lanzamiento de objetos hacia los ojos y otras lesiones graves.
- **Mantenga el paquete de baterías seco, limpio y sin aceite ni grasa.** Use siempre un paño limpio para limpiar. Nunca use líquido de frenos, gasolina, productos derivados del petróleo o solvente para limpiar el paquete de baterías.
- **Guarde estas instrucciones.** Consúltelas con frecuencia y empléelas para instruir a otras personas que puedan utilizar esta herramienta. Si presta a alguien esta herramienta, facilítele también las instrucciones con el fin de evitar un uso indebido del producto y posibles lesiones.

CALIFORNIA - PROPUESTA DE LEY NÚM. 65

⚠ ADVERTENCIA:

Este producto puede contener sustancias químicas (por ejemplo, plomo) reconocidas por el estado de California como causantes de cáncer, defectos congénitos y otras afecciones del aparato reproductor. **Lávese las manos después de utilizar el aparato.**

FUNCIONAMIENTO

PAQUETES DE BATERÍAS DE IONES DE LITIO

La potencia producida por las baterías de iones de litio es sin desvanecimientos durante todo el tiempo de funcionamiento. Las herramientas que emplean baterías de iones de litio no pierden potencia gradualmente debido a la disminución de la carga de la batería. Por el contrario, la potencia de la batería caerá de lleno a cero una vez que la carga completa de la misma haya sido consumida. Al ocurrir esto, es necesario recargar la batería. No es necesario agotar completamente la batería antes de recargarla.

CARACTERÍSTICA DE PROTECCIÓN DE LAS BATERÍAS

Las baterías de iones de litio están diseñadas con características que protegen las celdas de iones de litio y maximizan la duración de las baterías.

Si la herramienta se detiene durante el uso, suelte el gatillo para reiniciarla y reanude el funcionamiento. Si aun así no funciona, se debe recargar la batería.

UTILIZACIÓN EN CLIMA FRÍO

La batería de iones de litio puede utilizarse si la temperatura desciende hasta $-20\text{ }^{\circ}\text{C}$ ($-4\text{ }^{\circ}\text{F}$). Coloque la batería en una herramienta y utilícela en una aplicación liviana. Después de aproximadamente un minuto, la batería se habrá calentado y empezará a funcionar normalmente.

R840085, R840086

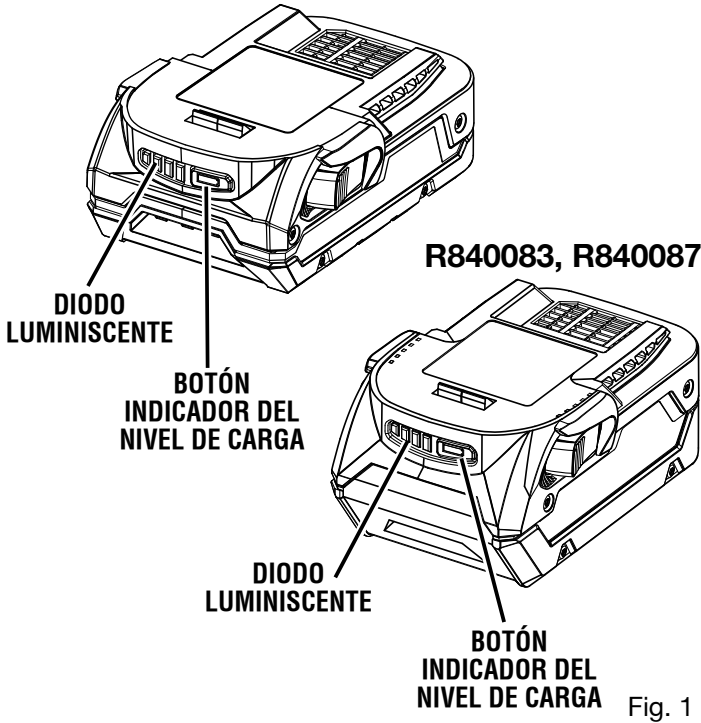


Fig. 1

LUZ DEL INDICADOR DE CARGA

Vea la figura 1.

Para visualizar la carga de la batería, presione el botón indicador del nivel de carga:

FUNCIONES DE LOS DIODOS	ESTADO DE CARGA
	Necesita cargar
	0 - 25%
	25 - 50%
	50 - 75%
	75 - 100%

CÓMO CARGAR EL PAQUETE DE BATERÍAS

Los paquetes de baterías se envían con carga baja para evitar posibles problemas. Por lo tanto, debe cargarlas antes de usarlas. Si el cargador no carga el paquete de baterías en circunstancias normales, regrese ambos, el paquete de baterías y el cargador, al centro de servicio autorizado de su preferencia, para que los revisen eléctricamente.

- Sólo cargue el paquete de baterías con un cargador recomendado.
- Para ver las instrucciones de carga completas, consulte el manual del operador de los cargadores.

CÓMO CARGAR EL PAQUETE DE BATERÍAS CUANDO ESTÁ CALIENTE

Cuando se utiliza una herramienta de manera continua, es posible que el paquete de baterías se caliente. Un paquete de baterías caliente puede colocarse directamente en el puerto del cargador, pero la carga solo se iniciará cuando la temperatura de la batería se enfríe hasta alcanzar un rango de temperatura aceptable. Cuando se coloque un paquete de baterías caliente en el cargador,

el cargador indicarán si el paquete de baterías no está listo para cargar. Le suplicamos consultar el manual del operador del cargador. Cuando el paquete de baterías se enfríe, se iniciará la carga de manera automática.

CÓMO CARGAR LA BATERÍA CUANDO ESTÁ FRÍA

Se puede colocar un paquete de baterías frío directamente en el puerto del cargador; sin embargo, la carga no comenzará hasta que la temperatura de las baterías aumente y se encuentre dentro del rango de temperatura aceptable. Si se coloca un paquete de baterías fría en el cargador, indicarán si el paquete de baterías no está listo para cargar. Le suplicamos consultar el manual del operador del cargador. Cuando el paquete de baterías se caliente, se iniciará la carga de manera automática.

MANTENIMIENTO

BATERÍAS

Las baterías están diseñadas para proporcionar una larga vida de servicio sin problemas. No obstante, como todas las baterías, finalmente se acaban. No desarme el paquete de baterías para tratar de cambiar las baterías. El manejo de estas baterías, especialmente cuando se traen puestos anillos y joyas, puede causar quemaduras serias.

Para lograr la más larga duración posible de las baterías, se sugiere lo siguiente:

- Retire el paquete de baterías del cargador una vez cargado completamente y listo para usarse.
- Para guardar el paquete de baterías más de 30 días:
 - Guarde la batería donde la temperatura sea inferior a 27 °C (80 °F) y lejos de la humedad.
 - Guarde el paquete de baterías cargado 30%-50%.
 - Cargue la batería de manera normal, cada seis meses de almacenamiento.

REMOCIÓN Y PREPARACIÓN DEL PAQUETE DE BATERÍAS PARA EL RECICLADO



Para preservar los recursos naturales, le suplicamos reciclar o desechar debidamente las baterías.

Este producto contiene baterías. Es posible que algunas leyes municipales, estatales o federales prohíban desechar las baterías en la basura normal.

Consulte a las autoridades reguladoras de desechos para obtener información en relación con las alternativas de reciclado y desecho disponibles.

⚠ ¡ADVERTENCIA!

Al retirar el paquete de baterías, cubra las terminales del mismo con cinta adhesiva reforzada. No intente destruir o desarmar el paquete de baterías, ni de desmontar ninguno de sus componentes. Las baterías de iones de litio deben reciclarse o desecharse debidamente. También, nunca toque ambas terminales con objetos metálicos y partes del cuerpo, ya que puede producirse un corto circuito. Manténgase fuera del alcance de los niños. La inobservancia de estas advertencias puede causar incendios y lesiones corporales serias.

One World Technologies, Inc.

P.O. Box 35, Hwy. 8

Pickens, SC 29671, USA

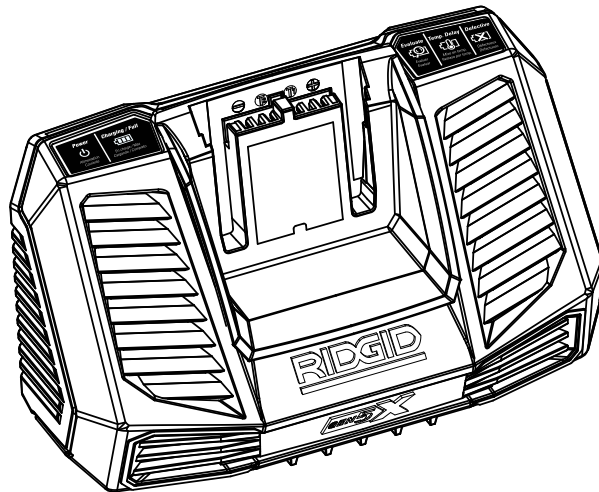


OPERATOR'S MANUAL DUAL CHEMISTRY BATTERY CHARGER

MANUEL D'UTILISATION CHARGEUR DE PILES À COMPOSITION CHIMIQUE DOUBLE

MANUAL DEL OPERADOR CARGADOR DE BATERÍA PARA DOS TIPOS DE COMPUESTOS QUÍMICOS

R840095



To register your RIDGID product,
please visit:
<http://register.RIDGID.com>

Pour enregistrer votre
produit de RIDGID, s'il vous plaît la
visite: <http://register.RIDGID.com>

Para registrar su producto de
RIDGID, por favor visita:
<http://register.RIDGID.com>

TABLE OF CONTENTS

- Safety Rules for Charger2
- Symbols.....3
- Assembly.....3
- Operation.....4-5
- Maintenance.....6
- Illustrations7
- Parts Ordering/ServiceBack page

TABLE DES MATIÈRES

- Règles de sécurité
pour le chargeur2
- Symboles.....3
- Assemblage.....3
- Utilisation.....4-5
- Entretien6
- Illustrations7
- Commande de pièces
et réparation.....Page arrière

ÍNDICE DE CONTENIDO

- Reglas de seguridad para
el empleo del cargador..... 2
- Símbolos..... 3
- Armado 3
- Funcionamiento 4-5
- Mantenimiento..... 6
- Ilustraciones 7
- Pedidos de piezas
y servicio.....Pág. posterior

WARNING:

To reduce the risk of injury, the user must read and understand the operator's manual before using this product.

AVERTISSEMENT :

Pour réduire les risques de blessures, l'utilisateur doit lire et veiller à bien comprendre le manuel d'utilisation avant d'utiliser ce produit.

ADVERTENCIA:

Para reducir el riesgo de lesiones, el usuario debe leer y comprender el manual del operador antes de usar este producto.

**SAVE THIS MANUAL
FOR FUTURE REFERENCE**

**CONSERVER CE MANUEL
POUR FUTURE RÉFÉRENCE**

**GUARDE ESTE MANUAL
PARA FUTURAS CONSULTAS**

SAFETY RULES FOR CHARGER

WARNING!

READ AND UNDERSTAND ALL INSTRUCTIONS. Failure to follow all instructions listed below, may result in electric shock, fire and/or serious personal injury.

- **Before using charger**, read all instructions and cautionary markings in this manual, on charger, battery, and product using battery to prevent misuse of the products and possible injury or damage.
-

WARNING:

Charge only one lithium-ion rechargeable battery at a time. Other types of batteries may burst, causing personal injury, fire, or damage. For compatible battery packs see tool/appliance/battery pack/charger correlation supplement 988000-302.

- **Do not use charger outdoors or expose to wet or damp conditions.** Water entering charger will increase the risk of electric shock.
- **Use of an attachment not recommended or sold by the battery charger manufacturer may result in a risk of fire, electric shock, or injury to persons.** Following this rule will reduce the risk of electric shock, fire, or serious personal injury.
- **Do not abuse cord or charger.** Never use the cord to carry the charger. Do not pull the charger cord rather than the plug when disconnecting from receptacle. Damage to the cord or charger could occur and create an electric shock hazard. Replace damaged cords immediately.
- **Make sure cord is located so that it will not be stepped on, tripped over, come in contact with sharp edges or moving parts or otherwise subjected to damage or stress.** This will reduce the risk of accidental falls, which could cause injury, and damage to the cord, which could result in electric shock.
- **Keep cord and charger from heat to prevent damage to housing or internal parts.**
- **Do not let gasoline, oils, petroleum-based products, etc. come in contact with plastic parts.** They contain chemicals that can damage, weaken, or destroy plastic.

- **Always wear eye protection with side shields marked to comply with ANSI Z87.1.** Failure to do so could result in objects being thrown into your eyes resulting in possible serious injury.
- **An extension cord should not be used unless absolutely necessary.** Use of improper extension cord could result in a risk of fire and electric shock. If extension cord must be used, make sure:
 - a. That pins on plug of extension cord are the same number, size and shape as those of plug on charger.
 - b. That extension cord is properly wired and in good electrical condition; and
 - c. That wire size is large enough for AC ampere rating of charger as specified below:


Cord Length (Feet)	25'	50'	100'
Cord Size (AWG)	16	16	16

NOTE: AWG = American Wire Gauge

- **Do not operate charger with a damaged cord or plug**, which could cause shorting and electric shock. If damaged, have the charger replaced by an authorized serviceman.
- **Do not operate charger if it has received a sharp blow, been dropped, or otherwise damaged in any way.** Take it to an authorized serviceman for electrical check to determine if the charger is in good working order.
- **Do not disassemble charger.** Take it to an authorized serviceman when service or repair is required. Incorrect reassembly may result in a risk of electric shock or fire.
- **Unplug charger from outlet before attempting any maintenance or cleaning to reduce the risk of electric shock.**
- **Disconnect charger from the power supply when not in use.** This will reduce the risk of electric shock or damage to the charger if metal items should fall into the opening. It also will help prevent damage to the charger during a power surge.
- **Risk of electric shock.** Do not touch uninsulated portion of output connector or uninsulated battery terminal.
- **Save these instructions.** Refer to them frequently and use them to instruct others who may use this tool. If you loan someone this tool, loan them these instructions also to prevent misuse of the product and possible injury.




IMPORTANT SAFETY INSTRUCTIONS

- 1. SAVE THESE INSTRUCTIONS - DANGER: TO REDUCE RISK OF FIRE OR ELECTRIC SHOCK CAREFULLY FOLLOW THESE INSTRUCTIONS.**





This manual contains important safety and operating instructions for battery charger R840095.
- 2. Before using battery charger**, read all instructions and cautionary markings on battery charger, battery, and product using battery.
- 3.  CAUTION:** To reduce the risk of injury, charge only lithium-ion rechargeable batteries. Other types of batteries may burst, causing personal injury or damage.

SYMBOLS

The following signal words and meanings are intended to explain the levels of risk associated with this product.

SYMBOL	SIGNAL	MEANING
	DANGER:	Indicates an imminently hazardous situation, which, if not avoided, will result in death or serious injury.
	WARNING:	Indicates a potentially hazardous situation, which, if not avoided, could result in death or serious injury.
	CAUTION:	Indicates a potentially hazardous situation, which, if not avoided, may result in minor or moderate injury.
	NOTICE:	(Without Safety Alert Symbol) Indicates important information not related to an injury hazard, such as a situation that may result in property damage.

Some of the following symbols may be used on this product. Please study them and learn their meaning. Proper interpretation of these symbols will allow you to operate the product better and safer.

SYMBOL	NAME	DESIGNATION/EXPLANATION
	Safety Alert	Indicates a potential personal injury hazard.
	Read Operator's Manual	To reduce the risk of injury, user must read and understand operator's manual before using this product.
	Eye Protection	Always wear eye protection with side shields marked to comply with ANSI Z87.1.
	Wet Conditions Alert	Do not expose to rain or use in damp locations.
V	Volts	Voltage
Hz	Hertz	Frequency (cycles per second)
W	Watt	Power
~	Alternating Current	Type of current
≡	Direct Current	Type or a characteristic of current

ASSEMBLY

WARNING:

Do not use this product if it is not completely assembled or if any parts appear to be missing or damaged. Use of a product that is not properly and completely assembled could result in serious personal injury.

WARNING:

Do not attempt to modify this product or create accessories not recommended for use with this product. Any such alteration or modification is misuse and could result in a hazardous condition leading to possible serious personal injury.

If any parts are damaged or missing, please call 1-866-539-1710 for assistance.

OPERATION

WARNING:

Do not allow familiarity with products to make you careless. Remember that a careless fraction of a second is sufficient to inflict serious injury.

WARNING:

Always wear eye protection with side shields marked to comply with ANSI Z87.1. Failure to do so could result in objects being thrown into your eyes resulting in possible serious injury.

WARNING:

Do not use any attachments or accessories not recommended by the manufacturer of this product. The use of attachments or accessories not recommended can result in serious personal injury.

CAUTION:

If at any point during the charging process none of the LEDs are lit, remove the battery pack from the charger to avoid damaging the product. **DO NOT** insert another battery. Return the charger and battery to your nearest service center for service or replacement.

NOTICE:

Charge in a well-ventilated area. Do not block charger vents. Keep them clear to allow proper ventilation.

DIAGNOSTIC FEEDBACK

See Figure 1, page 7.

LEDs provide feedback to indicate whether the battery pack is charging, fully charged, or defective.

KEY HOLE HANGER

See Figure 2, page 7.

The charger has a key hole hanging feature for convenient, space saving storage. Screws should be installed so that the center distance is 2-3/8 in.

CHARGING

See Figure 3, page 7.

Battery packs are shipped in a low charge condition to prevent possible problems. Therefore, you should charge them before first use. If the charger does not charge your battery pack under normal circumstances, return both the battery pack and charger to your nearest repair center for electrical check.

Charge time is approximately 30 minutes, and is dependent upon the type of battery pack.

- Make sure the power supply is normal household voltage, **120 volts, AC only, 60 Hz.**
- Connect the charger to a power supply.
- Attach the battery pack to the charger by aligning the raised ribs on the battery pack with the grooves in the charger, then slide the battery pack onto the charger.
- Press down on the battery pack to be sure contacts on the battery pack engage properly with contacts in the charger.
- Do not place the charger in an area of extreme heat or cold. It will work best at normal room temperature.
- The battery pack may become slightly warm to the touch while charging. This is normal and does not indicate a problem.
- After charging is complete, the green LED will remain on while the charger is in Maintenance Mode.
- After completing Maintenance Mode, the green LED will begin fading on/off continuously. This indicates the battery is fully charged and the charger is in Energy Save Mode.
- To remove the battery pack from the charger, pull up on the battery pack.

CHARGING A HOT BATTERY PACK

When using a tool continuously, the battery pack may become hot. A hot battery pack may be placed directly onto the charger port but charging will not begin until the battery temperature cools to within acceptable temperature range. When a hot battery pack is placed on the charger, the orange LED will begin flashing and the green LED will be off. When the battery pack cools, the charger will automatically begin charging.






CHARGING A COLD BATTERY PACK

A cold battery pack may be placed directly onto the charger port but charging will not begin until the battery temperature warms to within acceptable temperature range. When a cold battery pack is placed on the charger, the orange LED will begin flashing and the green LED will be off. When the battery pack warms, the charger will automatically begin charging.

OPERATION

LED FUNCTIONS

See Figure 1, page 7.

MODE	LEDs				
	Power 	Charging/ Full 	Evaluate 	Temp. Delay 	Defective 
LED	Green LED	Green LED	Orange LED	Orange LED	Red LED
EVALUATE	On	Off	Flashing	Off	Off
CHARGING	On	Flashing	Off	Off	Off
FULLY CHARGED	On	On	Off	Off	Off
TEMP. ERROR	On	Off	Off	Flashing	Off
<ul style="list-style-type: none"> • Hot battery pack: When battery pack reaches cooled temperature, charger begins charge mode. • Cold battery pack: When battery pack warms, charger begins charge mode. • Deeply discharged: Charger conditions battery until normal voltage is reached, then begins charge mode. 					
STANDBY FULL	Fade	Fade	Off	Off	Off
STANDBY POWER (Battery pack not inserted)	Fade	Off	Off	Off	Off
DEFECTIVE	On	Off	Off	Off	On
<ul style="list-style-type: none"> • If defective, try to repeat the conditions a second time by removing and reinstalling the battery pack. If the LED status repeats a second time, try charging a different battery. • If a different battery charges normally, dispose of the defective pack (see battery pack operator's manual). • If a different battery also indicates "Defective," the charger may be defective. 					

CALIFORNIA PROPOSITION 65

WARNING:

This product may contain chemicals, including lead, known to the State of California to cause cancer, birth defects or other reproductive harm. **Wash hands after handling.**

NOTE: Maintenance information begins on page 6 after French and Spanish language sections. Illustrations start on page 7.

This product has a 90-Day Satisfaction Guarantee Policy, as well as a Three-year Limited Warranty. For Warranty and Policy details, please go to www.RIDGID.com or call (toll free) 1-866-539-1710.

RÈGLES DE SÉCURITÉ POUR LE CHARGEUR

AVERTISSEMENT !

LIRE ET VEILLER À BIEN COMPRENDRE TOUTES LES INSTRUCTIONS. Le non-respect de toutes les instructions ci-dessous peut entraîner un choc électrique, un incendie et/ou des blessures graves.

- **Avant d'utiliser le chargeur de piles**, lire toutes les instructions de sécurité et mises en garde figurant dans ce manuel, sur le chargeur et sur le produit utilisant le chargeur pour éviter un usage incorrect et des dommages ou blessures.

AVERTISSEMENT :

Charger seulement une pile rechargeable au lithium-ion à la fois. Les piles d'autres types peuvent exploser et causer des blessures et dommages. Pour les bloc-piles compatibles voir l'information supplémentaire outil/appareil/bloc-pile/chargeur 988000-302.

- **Ne pas utiliser le chargeur à l'extérieur, ni l'exposer à l'eau ou l'humidité.** La pénétration d'eau dans le chargeur accroît le risque de choc électrique.
- **L'usage d'un accessoire non recommandé ou vendu par le fabricant du chargeur peut causer un risque d'incendie, de choc électrique ou de blessures.** Le respect de cette consigne réduira les risques d'incendie, de choc électrique et de blessures graves.
- **Ne pas maltraiter le cordon d'alimentation ou le chargeur.** Ne jamais utiliser le cordon d'alimentation pour transporter le chargeur. Ne pas débrancher le chargeur en tirant sur le cordon. Tirer sur la fiche pour la débrancher. Un cordon ou un chargeur endommagé peut présenter un risque de choc électrique. Remplacer immédiatement tout cordon endommagé.
- **S'assurer que le cordon n'est pas acheminé à un endroit où il risque d'être piétiné, accroché, endommagé, mis en contact avec des objets tranchants ou autrement maltraité.** Ceci réduira le risque de chute pouvant entraîner des blessures et des dommages au cordon, susceptible de causer un choc électrique.
- **Garder le cordon et le chargeur à l'écart des sources de chaleur pour éviter des dommages au boîtier ou aux pièces internes.**
- **Ne jamais laisser de liquides tels que, l'essence, les produits à base de pétrole, les huiles pénétrantes, etc., entrer en contact avec les pièces en plastique.** Ces liquides contiennent des produits chimiques susceptibles d'endommager, d'affaiblir ou de détruire le plastique.

- **Toujours porter une protection oculaire avec écrans latéraux certifiée conforme à la norme ANSI Z87.1.** Ne pas suivre cette directive pourrait faire que des objets soient projetés dans vos yeux et causent de graves blessures.

- **N'utiliser un cordon prolongateur qu'en cas d'absolue nécessité.** L'usage d'un cordon prolongateur incorrect peut présenter des risques d'incendie et de choc électrique. Si un cordon prolongateur doit être utilisé, s'assurer :

- a. Que la fiche du cordon comporte le même nombre de broches que celles du chargeur et que ses broches sont de mêmes forme et taille.
- b. Que le cordon est correctement câblé et en bon état électrique ; et
- c. Que le calibre des fils est suffisant pour l'intensité c.a. du chargeur spécifiée ci-dessous :

Longueur du cordon (en pieds)	25	50	100
Calibre du cordon (AWG)	16	16	16

NOTE : AWG = American Wire Gauge (calibre de fils américain)

- **Ne pas utiliser un chargeur dont la prise ou le cordon est endommagé**, ce qui pourrait entraîner un court-circuit et un choc électrique. Le cas échéant, faire remplacer la prise ou le cordon immédiatement par un réparateur agréé.
- **Ne pas utiliser le chargeur s'il a été soumis à un choc violent ou autrement endommagé.** Le confier à un réparateur agréé afin qu'il détermine s'il est en bon état de fonctionnement.
- **Ne pas démonter le chargeur.** Si un entretien ou une réparation est nécessaire, le confier à un réparateur agréé. Un remontage incorrect peut entraîner des risques de choc électrique ou d'incendie.
- **Pour réduire les risques de choc électrique, débrancher le chargeur de la prise secteur avant de procéder à tout nettoyage ou entretien.**
- **Lorsqu'il n'est pas en usage, débrancher le chargeur de l'alimentation secteur.** Ceci réduira le risque de choc électrique ou de dommages au chargeur si des articles en métal venaient à tomber dans l'ouverture. Ceci aidera également à éviter des dommages au chargeur en cas de saute de tension.
- **Risque de choc électrique.** Ne pas toucher les parties non isolées du connecteur de sortie ou les bornes de piles non isolées.
- **Conserver ces instructions.** Les consulter fréquemment et les utiliser pour instruire les autres utilisateurs éventuels. Si cet outil est prêté, il doit être accompagné de ces instructions, afin d'éviter un usage incorrect et d'éventuelles blessures.

INSTRUCTIONS IMPORTANTES CONCERNANT LA SÉCURITÉ

1. CONSERVER CES INSTRUCTIONS - DANGER : POUR RÉDUIRE LE RISQUE D'INCENDIE OU DE DÉCHARGE ÉLECTRIQUE, VEUILLEZ SUIVRE ATTENTIVEMENT CES INSTRUCTIONS.




Ce manuel contient d'importantes instructions relatives à la sécurité et au fonctionnement des chargeur de piles R840095.

2. Avant d'utiliser le chargeur de piles, lire toutes les instructions et les mises en garde figurant sur le chargeur de pile, sur la pile et sur le produit utilisant la pile.





3. **ATTENTION :** Pour réduire les risques de blessure, ne charger que des piles rechargeables nickel-cadmium ou lithium-ion. Les piles d'autres types peuvent exploser et causer des dommages et blessures.

SYMBOLES

Les termes de mise en garde suivants et leur signification ont pour but d'expliquer le degré de risques associé à l'utilisation de ce produit.

SYMBOLE	SIGNAL	SIGNIFICATION
	DANGER :	Indique une situation extrêmement dangereuse qui, si elle n'est pas évitée, aura pour conséquences des blessures graves ou mortelles.
	AVERTISSEMENT :	Indique une situation potentiellement dangereuse qui, si elle n'est pas évitée, pourrait entraîner des blessures graves ou mortelles.
	ATTENTION :	Indique une situation potentiellement dangereuse qui, si elle n'est pas évitée, pourrait entraîner des blessures légères ou de gravité modérée.
	AVIS :	(Sans symbole d'alerte de sécurité) Indique une information importante ne concernant pas un risque de blessure comme une situation pouvant occasionner des dommages matériels.

Certains des symboles ci-dessous peuvent être utilisés sur produit. Veiller à les étudier et à apprendre leur signification. Une interprétation correcte de ces symboles permettra d'utiliser produit plus efficacement et de réduire les risques.

SYMBOLE	NOM	DÉSIGNATION / EXPLICATION
	Symbole d'alerte de sécurité	Indique un risque de blessure potentiel.
	Lire manuel d'utilisation	Pour réduire les risques de blessures, l'utilisateur doit lire et veiller à bien comprendre le manuel d'utilisation avant d'utiliser ce produit.
	Protection oculaire	Toujours porter une protection oculaire avec écrans latéraux certifiée conforme à la norme ANSI Z87.1.
	Avertissement concernant l'humidité	Ne pas exposer à la pluie ou l'humidité.
V	Volts	Tension
Hz	Hertz	Fréquence (cycles par seconde)
W	Watts	Puissance
~	Courant alternatif	Type de courant
≡	Courant continu	Type ou caractéristique du courant

ASSEMBLAGE

AVERTISSEMENT :

Ne pas utiliser le produit s'il n'est pas complètement assemblé ou si des pièces semblent manquantes ou endommagées. Le fait d'utiliser un produit assemblé de façon inadéquate ou incomplète peut entraîner des blessures graves.

AVERTISSEMENT :

Ne pas essayer de modifier ce produit ou de créer des accessoires non recommandés pour le produit. De telles altérations ou modifications sont considérées comme un usage abusif et peuvent créer des conditions dangereuses, risquant d'entraîner des blessures graves.

Si des pièces sont manquantes ou endommagées, appeler le 1-866-539-1710.

UTILISATION

AVERTISSEMENT :

Ne pas laisser la familiarité avec les produits faire oublier la prudence. Ne pas oublier qu'une fraction de seconde d'inattention peut entraîner des blessures graves.

AVERTISSEMENT :

Toujours porter une protection oculaire avec écrans latéraux certifiée conforme à la norme ANSI Z87.1. Ne pas suivre cette directive pourrait faire que des objets soient projetés dans vos yeux et causent de graves blessures.

AVERTISSEMENT :

Ne pas utiliser d'outils ou accessoires non recommandés par le fabricant de ce produit. L'utilisation de pièces et accessoires non recommandés peut entraîner des blessures graves.

ATTENTION :

Si, à tout moment pendant le processus de charge, aucune témoin DEL n'est allumé, retirer le bloc-pile du chargeur pour éviter d'endommager le produit. NE PAS insérer un autre bloc-pile. Confier le bloc de pile et le chargeur au centre de réparations le plus proche pour vérification ou remplacement.

AVIS :

Chargeur dans un endroit bien ventilé. Ne pas bloquer les événements du chargeur. Veiller à ce qu'ils soient dégagés pour assurer une bonne ventilation.

RÉTROACTION DIAGNOSTIQUE

Voir la figure 1, page 7.

Les voyants DÉL permettent d'obtenir un diagnostic qui indique si le bloc pile est en cours de chargement, s'il est complètement chargé ou s'il est déchargé.

TROU DE SERRURE POUR LA SUSPENSION

Voir la figure 2, page 7.

Le chargeur comporte un système d'accrochage commode du type « trou de serrure ». Les vis doivent être installées à une distance de 60,3 mm (2-3/8 po).

CHARGE

Voir la figure 3, page 7.

Les bloc-piles sont expédiés avec une faible charge pour éviter des problèmes. Il est donc nécessaire de charger les bloc-piles avant d'utiliser l'outil. Si les bloc-piles ne se rechargent pas dans des conditions normales, les retourner, ainsi que le chargeur et le stand, au entre de réparation le plus proche, pour une vérification électrique.

Temps de charge dépend du bloc-piles.

- S'assurer que l'alimentation est de **120 Volts, c.a. seulement, 60 Hz.**
- Brancher le chargeur sur une prise secteur.
- Fixer le bloc-piles sur le chargeur en alignant les nervures en saillie du bloc-piles avec les rainures du chargeur, puis glisser le bloc-piles sur le chargeur.
- Appuyer sur le bloc-piles pour assurer que ses contacts s'engagent correctement sur ceux du chargeur.
- Ne pas placer le chargeur dans un endroit exposé à des températures extrêmes (chaud ou froid). Son fonctionnement optimal est obtenu à température ambiante.
- Pendant la charge, le bloc-piles peut être légèrement chaud au toucher. Ceci est normal et n'est pas l'indication d'un problème.
- Une fois le chargement terminé, la DÉL verte demeure allumée, que le chargeur est en mode d'économie d'énergie.
- Le chargeur quitte le mode d'économie d'énergie de façon périodique pour s'assurer que le bloc-piles demeure entièrement chargé.
- Pour retirer le bloc-pile du chargeur, enfoncez les attaches de chaque côté de bloc-piles.

CHARGE D'UN BLOC-PILE CHAUD

Le bloc-piles peut devenir chaud lorsque l'outil est utilisé continuellement. Un chargeur chaud peut être placé directement sur le port du chargeur, mais la charge ne commencera que lorsque la température de la pile atteindra la plage de température acceptable. Lorsqu'un bloc-piles chaud est inséré dans le chargeur, la DEL orange commencera à clignoter alors que la DEL verte sera éteinte. Le chargeur commence automatiquement la charge du bloc-piles dès que le bloc-piles est suffisamment refroidi.






CHARGE D'UN BLOC-PILE FROID

Un chargeur chaud peut être placé directement sur le port du chargeur, mais la charge ne commencera que lorsque la température de la pile atteindra la plage de température acceptable. Lorsqu'un bloc-piles froid est inséré dans le chargeur, la DEL orange commencera à clignoter alors que la DEL verte sera éteinte. Le chargeur commence automatiquement la charge du bloc-piles dès que ce dernier est suffisamment chaud.

UTILISATION

SIGNAUX DES TÉMOINS DEL DU CHARGEUR

Voir la figure 1, page 7.

MODE	DEL				
	Alimentation 	En charge/ Max. 	Evaluer 	Mise en temp. 	Défectueux 
DEL	Vert	Vert	Orange	Orange	Rouge
EVALUER	Marche	Arrêt	Flashing	Arrêt	Arrêt
CHARGE	Marche	Flashing	Arrêt	Arrêt	Arrêt
COMPLÈTEMENT CHARGÉE	Marche	Marche	Arrêt	Arrêt	Arrêt
MISE EN TEMP.	Marche	Arrêt	Arrêt	Clignotant	Arrêt
<ul style="list-style-type: none"> • Bloc-pile chaud : Une fois les bloc-piles refroidies, le chargeur passe automatiquement en mode de charge. • Bloc-pile froid : Une fois les bloc-piles réchauffer, le chargeur passe automatiquement en mode de charge. • Décharge profonde: Le chargeur précharge la pile jusqu'à ce que la tension normale soit atteinte, puis passe en mode de charge. 					
DE SECOURS PLEINE CHARGE	Fondu	Fondu	Arrêt	Arrêt	Arrêt
DE SECOURS ALIMENTATION (Sans bloc-piles)	Fondu	Arrêt	Arrêt	Arrêt	Arrêt
DÉFECTUEUX	Marche	Arrêt	Arrêt	Arrêt	Marche
<ul style="list-style-type: none"> • En cas de problème, retirer la bloc-pile et la réinsérer pour voir si elle ne se charge toujours pas. Si les DEL indiquent toujours un problème, essayer de charger une autre bloc-pile. • Si une bloc-pile différente se charge normalement, éliminer le bloc défectueux (voir la manuel d'utilisation de blocs-piles). • Si une pile différente indique également "Défectueux," le chargeur peut être défectueux. 					

PROPOSITION 65 DE L'ÉTAT DE CALIFORNIE

AVERTISSEMENT :

Ce produit peut contenir des produits chimiques, notamment du plomb qui, selon l'État de la Californie, peuvent causer le cancer, des anomalies congénitales et d'autres dommages au système reproducteur. **Bien se laver les mains après toute manipulation.**

NOTE : Le information de entretien commençant sur 6 de page après la section Espagnol. Figures (illustrations) commençant sur 7 de page.

Ce produit est accompagné d'une politique de satisfaction de 90 jours et d'une garantie limitée de trois (3) ans. Pour obtenir les détails de la garantie et de la politique, visiter le site www.RIDGID.com ou appeler (sans frais) au 1-866-539-1710.

REGLAS DE SEGURIDAD PARA EL EMPLEO DEL CARGADOR

¡ADVERTENCIA!

LEA Y COMPRENDA TODAS LAS INSTRUCCIONES. El incumplimiento de las instrucciones señaladas abajo puede causar descargas eléctricas, incendios y lesiones serias.

- **Antes de emplear el cargador de baterías**, lea todas las instrucciones y las marcas precautorias del manual, del cargador, de la batería y del producto con el cual se utiliza dicha batería, con el fin de evitar un empleo indebido del producto y posibles lesiones corporales o daños físicos.

ADVERTENCIA:

Cargue sólo una batería recargable de iones de litio a la vez. Los otros tipos de baterías pueden explotar y ocasionar daños y lesiones corporales. Para obtener paquetes de baterías compatibles, consulte el complemento de correlación de herramienta/artefacto/paquete de batería/cargador 988000-302.

- **No utilice el cargador a la intemperie ni lo exponga a condiciones húmedas o mojadas.** La introducción de agua en el cargador aumenta el riesgo de una descarga eléctrica.
- **El uso de un accesorio no recomendado o vendido por el fabricante del cargador de baterías puede significar un riesgo de incendio, descarga eléctrica o lesiones corporales.** Con el cumplimiento de esta regla se reduce el riesgo de una descarga eléctrica, incendio o lesión seria.
- **No maltrate el cordón eléctrico ni el cargador.** Para trasladar el cargador nunca lo sostenga del cordón. No tire del cordón del cargador en lugar de tirar de la clavija al desconectar el aparato de la toma de corriente. Puede dañar el cordón o el cargador y causar un peligro de descarga eléctrica. Cambie de inmediato todo cordón eléctrico dañado.
- **Asegúrese de que el cordón eléctrico esté ubicado de tal manera que nadie lo pise o se tropiece con él, no toque bordes afilados o piezas en movimiento ni quede sujeto a daños ni tensiones.** De esta manera se reduce el riesgo de caídas accidentales que pudieran causar lesiones personales y daños al cordón, lo cual podría ocasionar una descarga eléctrica.
- **Mantenga el cordón y el cargador alejados del calor para evitar dañar el alojamiento o las partes internas de la unidad.**
- **No permita que gasolina, aceites, productos a base de petróleo, etc., lleguen a tocar las piezas de plástico.** Dichos productos contienen compuestos químicos que pueden dañar, debilitar o destruir el plástico.

- **Siempre póngase protección ocular con la marca de cumplimiento de la norma ANSI Z87.1.** La inobservancia de esta advertencia puede permitir que los objetos lanzados hacia los ojos puedan provocar lesiones graves.
- **No debe emplearse un cordón de extensión a menos que sea absolutamente necesario.** El empleo de un cordón de extensión inadecuado puede significar un riesgo de incendio o descarga eléctrica. Si es necesario utilizar un cordón de extensión, asegúrese:
 - a. De que las patillas de la clavija del cordón de extensión vengan en el mismo número, tamaño y forma que las de la clavija del cargador.
 - b. Que el cordón de extensión esté alambrado correctamente y en buenas condiciones eléctricas, y
 - c. Que el tamaño del alambre sea del tamaño suficiente para el amperaje de CA nominal del cargador como se especifica a continuación:

Long. cordón (pies)	25'	50'	100'
Calibre cordón (AWG)	16	16	16


NOTA: AWG = Calibre conductores norma americana

- **No utilice el cargador si está dañado el cordón o la clavija,** ya que podría causar un corto circuito y una descarga eléctrica. Si está dañada una pieza, un técnico de servicio autorizado debe reemplazar el cargador.
- **No utilice el cargador si el mismo ha sufrido una caída, un golpe sólido o un daño de cualquier tipo.** Llévelo a un técnico de servicio autorizado para una revisión eléctrica y así determinar si el cargador está en buenas condiciones de funcionamiento.
- **No desarme el cargador.** Llévelo a un técnico de servicio autorizado si requiere servicio o una reparación. Si se rearma la unidad de manera incorrecta, puede presentarse un riesgo de descarga eléctrica o incendio.
- **Para reducir el riesgo de una descarga eléctrica, desconecte el cargador de la toma de corriente antes de iniciar una tarea de mantenimiento o de limpieza.**
- **Cuando no esté en uso el cargador desconéctelo del suministro de voltaje.** De esta manera se reduce el riesgo de una descarga eléctrica o daños al cargador si artículos metálicos caen en la abertura. Esto también ayuda a evitar dañar el cargador en el caso de una subida de voltaje.
- **Riesgo de descarga eléctrica.** No toque ninguna parte sin aislar del conector de salida, ni ninguna terminal de las baterías en tales condiciones.
- **Guarde estas instrucciones.** Consúltelas con frecuencia y empléelas para instruir a otras personas que puedan utilizar esta herramienta. Si presta a alguien esta herramienta, facilítele también las instrucciones con el fin de evitar un uso indebido del producto y posibles lesiones.

INSTRUCCIONES DE SEGURIDAD IMPORTANTES




1. GUARDE ESTAS INSTRUCCIONES - PELIGRO: PARA REDUCIR EL RIESGO DE INCENDIOS O DESCARGA ELÉCTRICA, SIGA CUIDADOSAMENTE ESTAS INSTRUCCIONES

Este manual contiene instrucciones importantes respecto a la seguridad y funcionamiento de los cargador de baterías R86045.





2. **Antes de emplear el cargador de baterías** lea todas las instrucciones y las indicaciones precautorias del cargador de baterías, de las baterías y del producto con el que se utilizan las baterías.
3.  **PRECAUCIÓN:** Para reducir el riesgo de lesiones, sólo cargue baterías recargables de níquel-cadmio o iones de litio. Otros tipos de baterías pueden estallar y causar lesiones corporales así como daños materiales.

SÍMBOLOS

Las siguientes palabras de señalización y sus significados tienen el objeto de explicar los niveles de riesgo relacionados con este producto.

SÍMBOLO	SEÑAL	SIGNIFICADO
	PELIGRO:	Indica una situación peligrosa inminente, la cual, si no se evita, causará la muerte o lesiones serias.
	ADVERTENCIA:	Indica una situación peligrosa posible, la cual, si no se evita, podría causar la muerte o lesiones serias.
	PRECAUCIÓN:	Indica una situación peligrosa posible, la cual, si no se evita, podría causar lesiones menores o leves.
	AVISO:	(Sin el símbolo de alerta de seguridad) Indica información importante no relacionada con ningún peligro de lesiones, como una situación que puede ocasionar daños físicos.

Es posible que se empleen en este producto algunos de los siguientes símbolos. Le suplicamos estudiarlos y aprender su significado. Una correcta interpretación de estos símbolos le permitirá utilizar mejor y de manera más segura el producto.

SÍMBOLO	NOMBRE	DENOMINACIÓN/EXPLICACIÓN
	Alerta de seguridad	Indica un peligro posible de lesiones personales.
	Lea manual del operador	Para reducir el riesgo de lesiones, el usuario debe leer y comprender el manual del operador antes de usar este producto.
	Protección ocular	Siempre póngase protección ocular con protección lateral con la marca de cumplimiento de la norma ANSI Z87.1.
	Alerta de condiciones húmedas	No exponga la unidad a la lluvia ni la use en lugares húmedos.
V	Volts	Voltaje
Hz	Hertz	Frecuencia (ciclos por segundo)
W	Watts	Potencia
~	Corriente alterna	Tipo de corriente
—	Corriente continua	Tipo o característica de corriente

ARMADO

ADVERTENCIA:

No use este producto si no está totalmente ensamblado o si alguna pieza falta o está dañada. Si utiliza un producto que no se encuentra ensamblado de forma correcta y completa, puede sufrir lesiones graves.

ADVERTENCIA:

No intente modificar este producto ni hacer accesorios no recomendados para la misma. Cualquier alteración o modificación constituye maltrato el cual puede causar una condición peligrosa, y como consecuencia posibles lesiones corporales serias.

Si hay piezas dañadas o faltantes, le suplicamos llamar al 1-866-539-1710, donde le brindaremos asistencia.

FUNCIONAMIENTO

ADVERTENCIA:

No permita que su familiarización con los productos le vuelva descuidado. Tenga presente que un descuido de un instante es suficiente para infligir una lesión grave.

ADVERTENCIA:

Siempre póngase protección ocular con la marca de cumplimiento de la norma ANSI Z87.1. La inobservancia de esta advertencia puede permitir que los objetos lanzados hacia los ojos y otros provocarle lesiones graves.

ADVERTENCIA:

No utilice ningún aditamento o accesorio no recomendado por el fabricante de este producto. El empleo de aditamentos o accesorios no recomendados podría causar lesiones serias.

PRECAUCIÓN:

Si en cualquier momento durante el proceso de carga no está encendido ninguno de los diodos luminiscentes, retire del cargador el paquete de baterías para evitar dañar el producto. NO introduzca otra batería. Devuelva el cargador y la batería al centro de servicio más cercano para su revisión o reemplazo.

AVISO:

Cargue en un área bien ventilada. No bloquee las rejillas de ventilación. Manténgalas libres para permitir una ventilación adecuada.

INFORMACIÓN DE DIAGNÓSTICO

Vea la figura 1, página 7.

Los diodos luminiscentes indican si el paquete de baterías se está cargando, está completamente cargado o está defectuoso.

COLGADOR TIPO BOCALLAVE

Vea la figura 2, página 7.

El cargador dispone de una ranura en forma de bocallave para colgarlo que permite guardarlo de manera conveniente y economizadora de espacio. Los tornillos deben instalarse a una distancia central entre sí de 60,3 (2-3/8 po).

CARGA

Vea la figura 3, página 7.

Los paquetes de baterías se envían con carga baja para evitar posibles problemas. Por lo tanto, debe cargarlas antes de usarlas por primera vez. Si el cargador no carga el paquete de baterías en circunstancias normales, regrese ambos, el paquete de baterías y el cargador, al centro de reparación más cercano, para que los revisen eléctricamente.

El tiempo de carga es dependiente en el paquete de batería.

- Asegúrese de que el suministro de voltaje sea sólo el casero normal, de **120 V, sólo corr. alt, 60 Hz.**
- Conecte el cargador al suministro de corriente.
- Conecte el paquete de baterías al cargador; para ello, alinee las costillas realizadas del primero con las ranuras del segundo, y después introduzca aquél en éste.
- Empuje el paquete de baterías para asegurarse que los contactos del mismo se conecten adecuadamente con los contactos del cargador.
- No coloque el cargador ni el paquete de baterías en ningún área extremadamente calurosa o fría. Funciona mejor a la temperatura normal del interior.
- Es posible que el paquete de baterías se siente un poco caliente al tacto mientras está cargándose. Esto es normal y no indica ningún problema.
- Una vez que la carga esté completa, el diodo luminiscente verde permanecerá indicando el modo de ahorro de energía.
- De vez en cuando, el cargador abandonará el modo de ahorro de energía para garantizar que el paquete de baterías continúe completamente cargado.
- Para retirar el paquete de baterías del cargador, jale del paquete de baterías.

CARGAR EL PAQUETE DE BATERÍAS CUANDO ESTÁ CALIENTE

Cuando se utiliza una herramienta de manera continua, es posible que el paquete de baterías se caliente. Un paquete de baterías caliente puede colocarse directamente en el puerto del cargador, pero la carga solo se iniciará cuando la temperatura de la batería se enfríe hasta alcanzar un rango de temperatura aceptable. Si se coloca un paquete de baterías caliente en el cargador, el LED naranja comenzará a titilar y el LED verde se apagará. Cuando el paquete de baterías se enfríe, el cargador comenzará a cargar automáticamente.






CARGAR EL PAQUETE DE BATERÍAS CUANDO ESTÁ FRÍO

Un paquete de baterías frío puede colocarse directamente en el puerto del cargador, pero la carga solo se iniciará cuando la temperatura de la batería se caliente hasta alcanzar un rango de temperatura aceptable. Cuando se coloque un paquete de baterías frío en el cargador, la luz LED naranja comenzará a titilar y la luz LED verde se apagará. Cuando el paquete de baterías se caliente, el cargador comenzará a cargar automáticamente.

FUNCIONAMIENTO

FUNCIONAMIENTO DE LOS DIODOS LUMINISCENTES DEL CARGADOR

Vea la figura 1, página 7.

MODO	LEDs				
	Corriente 	Cargando/ Completo 	Evaluar 	Retraso por Temp. 	Defectuoso 
LED	Verde	Verde	Naranja	Naranja	Rojo
EVALUAR	Encendido	Apagado	Flashing	Apagado	Apagado
CARGANDO	Encendido	Flashing	Apagado	Apagado	Apagado
COMPLETAMENTE CARGADO	Encendido	Encendido	Apagado	Apagado	Apagado
TEMP. ERROR	Encendido	Apagado	Apagado	Destell.	Apagado
<ul style="list-style-type: none"> • Paquete de batería caliente: Une fois le bloc-pile refroidi, le chargeur passe en mode de charge. • Paquete de batería frío: Cuando el paquete de baterías se calienta, el cargador comenzará a cargar automáticamente. • Deeply discharged: El cargador precarga el paquete de baterías hasta que alcanza el voltaje normal, y después se activa el modo de carga. 					
EN ESPERA COMPLETO	Desvanecimiento	Desvanecimiento	Apagado	Apagado	Apagado
EN ESPERA POTENCIA (Sin paquete de baterías)	Desvanecimiento	Apagado	Apagado	Apagado	Apagado
DEFECTUOSO	Encendido	Apagado	Apagado	Apagado	Encendido
<ul style="list-style-type: none"> • Si está defectuoso, intente repetir las condiciones quitando y volviendo a instalar el paquete de baterías. Si se repite el mismo estado de los diodos, intente cargar una batería diferente. • Si una batería diferente se carga normalmente, reemplace el paquete defectuoso (vea la manual del operador de paquete de baterías). • Si la nueva batería también parece tener problemas, reemplace el cargador defectuoso. 					

CALIFORNIA - PROPUESTA DE LEY NÚM. 65

ADVERTENCIA:

Este producto puede contener sustancias químicas (incluido el plomo) reconocidas por el estado de California como causantes de cáncer, defectos congénitos y otras afecciones del aparato reproductor. **Lávese las manos después de utilizar el aparato.**

Este producto tiene una política de satisfacción garantizada de 90 días y una garantía limitada de tres años. Para obtener detalles sobre la garantía y la política de satisfacción garantizada, diríjase a www.RIDGID.com o llame sin cargo al 1-866-539-1710.

MAINTENANCE

WARNING:

When servicing use only identical replacement parts. Use of any other parts could create a hazard or cause product damage.

WARNING:

To avoid serious personal injury, always remove the battery pack from the tool when cleaning or performing any maintenance.

GENERAL MAINTENANCE

Avoid using solvents when cleaning plastic parts. Most plastics are susceptible to damage from various types of commercial solvents and may be damaged by their use. Use clean cloths to remove dirt, dust, oil, grease, etc.

ENTRETIEN

AVERTISSEMENT :

Utiliser exclusivement des pièces d'origine pour les réparations. L'usage de toute autre pièce pourrait créer une situation dangereuse ou endommager l'outil.

AVERTISSEMENT :

Pour empêcher un démarrage accidentel pouvant entraîner des blessures graves, toujours retirer le bloc de pile de l'outil avant tout nettoyage ou entretien.

ENTRETIEN GÉNÉRAL

Éviter d'utiliser des solvants pour le nettoyage des pièces en plastique. La plupart des matières plastiques peuvent être endommagées par divers types de solvants du commerce. Utiliser

MANTENIMIENTO

AVERTISSEMENT :

Al dar servicio a la unidad, sólo utilice piezas de repuesto idénticas. El empleo de piezas diferentes podría presentar un peligro o causar daños al producto.

AVERTISSEMENT :

Para evitar lesiones corporales serias, siempre retire el paquete de baterías de la herramienta al limpiarla o darle mantenimiento.

MANTENIMIENTO GENERAL

Evite el empleo de solventes al limpiar piezas de plástico. La mayoría de los plásticos son susceptibles a diferentes tipos

WARNING:

Do not at any time let brake fluids, gasoline, petroleum-based products, penetrating oils, etc., come in contact with plastic parts. Chemicals can damage, weaken or destroy plastic which can result in serious personal injury.

STORAGE

Always remove the battery pack before storing the charger or any time the charger is unplugged.

un chiffon propre pour éliminer la saleté, la poussière, l'huile, la graisse, etc.

AVERTISSEMENT :

Ne jamais laisser de liquides tels que le fluide de freins, l'essence, les produits à base de pétrole, les huiles pénétrantes, etc., entrer en contact avec les pièces en plastique. Les produits chimiques peuvent endommager, affaiblir ou détruire le plastique, ce qui peut entraîner des blessures graves.

ENTREPOSAGE

Toujours retirer le bloc-piles avant d'entreposer le chargeur ou chaque fois que le chargeur est débranché.

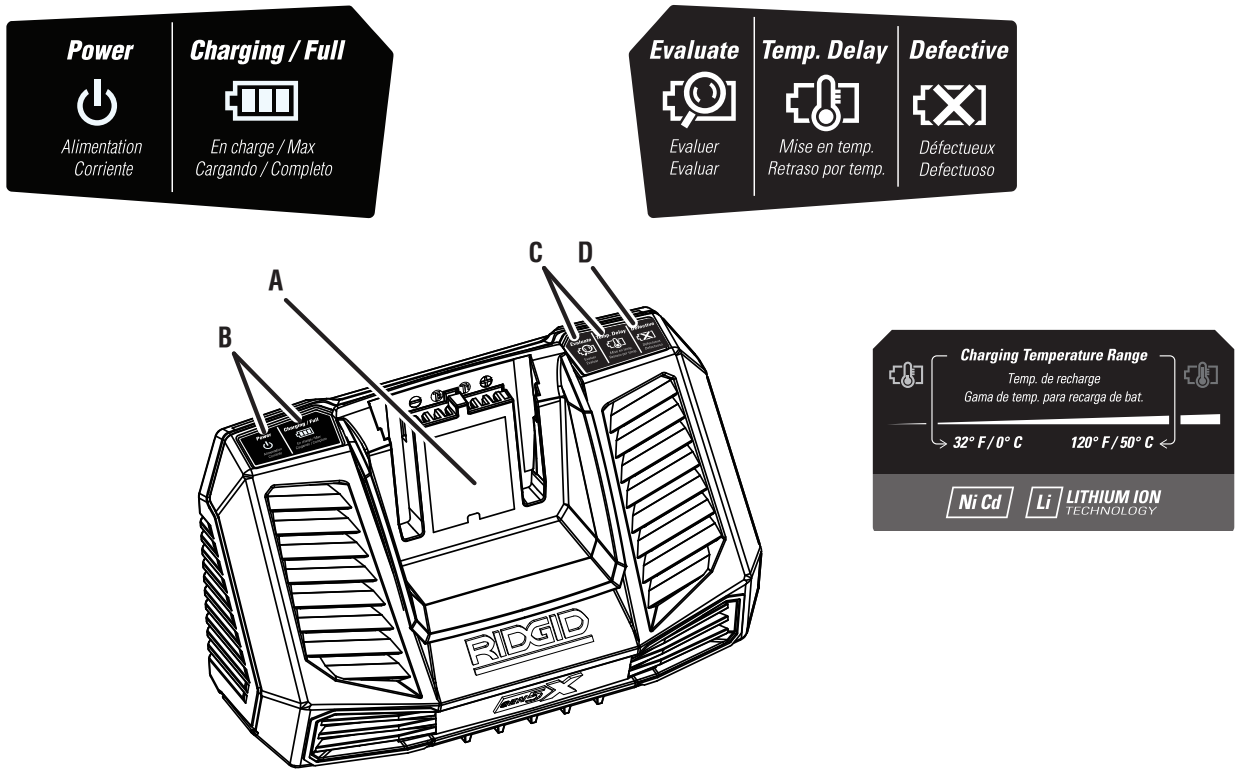
de solventes comerciales y pueden resultar dañados. Utilice paños limpios para eliminar la suciedad, el polvo, el aceite, la grasa, etc.

AVERTISSEMENT :

No permita en ningún momento que fluidos para frenos, gasolina, productos a base de petróleo, aceites penetrantes, etc., lleguen a tocar las piezas de plástico. Las sustancias químicas pueden dañar, debilitar o destruir el plástico, lo cual a su vez puede producir lesiones corporales serias.

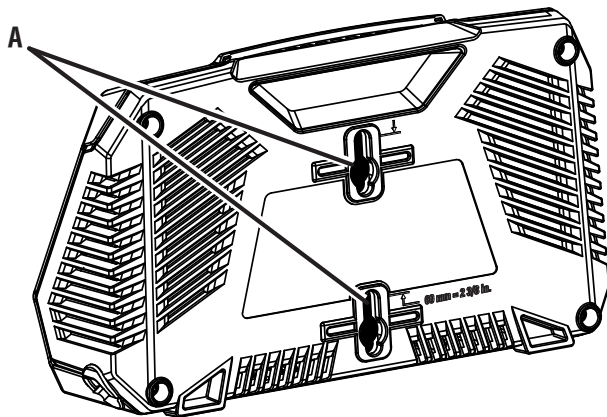
ALMACENAMIENTO

Siempre retire el paquete de baterías antes de almacenar el cargador o cada vez que el cargador esté desenchufado.



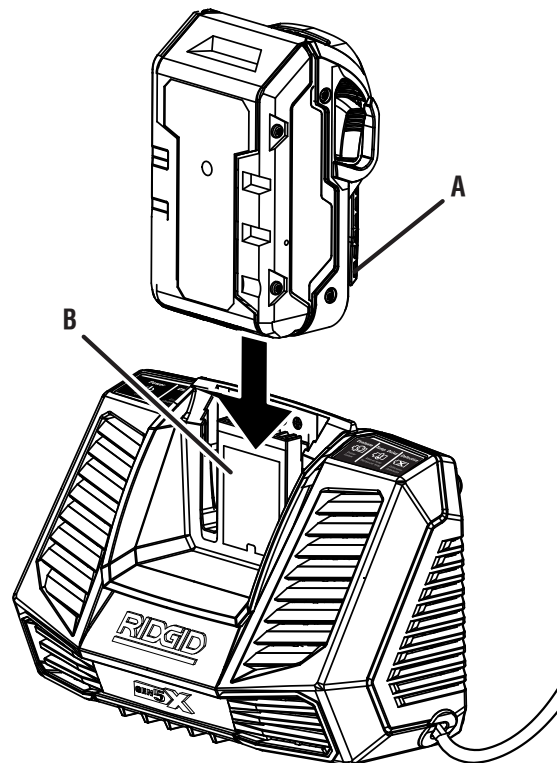
- A - Battery port (logement de piles, receptáculo para baterías)
- B - Green LEDs (DEL vert, LED indicador de verde)
- C - Orange LEDs (DEL orange, LED indicador de naranja)
- D - Red LED (DEL rouge, LED indicador de rojo)

Fig. 1



- A - Key hole hanger - 2-3/8 in. (Trou de serrure pour la suspension - 60 mm [2-3/8 po], 60 mm [2-3/8 pulg.])

Fig. 2



- A - Battery pack (bloc-pile, paquete de baterías)
- B - Battery port (logement de piles, receptáculo para baterías)

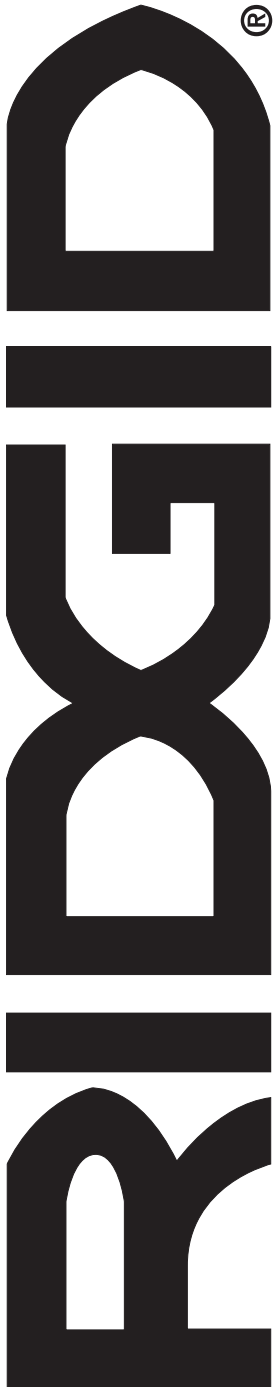
Fig. 3

OPERATOR'S MANUAL DUAL CHEMISTRY CHARGER

MANUEL D'UTILISATION CHARGEUR DE PILES À COMPOSITION CHIMIQUE DOUBLE

MANUAL DEL OPERADOR CARGADOR DE BATERÍA PARA DOS TIPOS DE COMPUESTOS QUÍMICOS

R840095



Customer Service Information:

For parts or service, do not return this product to the store. Contact your nearest RIDGID® authorized service center. Be sure to provide all relevant information when you call or visit. For the location of the authorized service center nearest you, please call 1-866-539-1710 or visit us online at www.RIDGID.com.

MODEL NO. _____ SERIAL NO. _____

Service après-vente :

Pour acheter des pièces ou pour un dépannage, ne pas retourner ce produit au magasin. Contacter le centre de réparations RIDGID® agréé le plus proche. Veiller à fournir toutes les informations pertinentes lors de tout appel téléphonique ou visite. Pour obtenir l'adresse du centre de réparations agréé le plus proche, téléphoner au 1-866-539-1710 ou visiter notre site www.RIDGID.com.

NO. DE MODÈLE _____ NO. DE SÉRIE _____

Información sobre servicio al consumidor:

Para piezas de repuesto o servicio, no devuelva este producto a la tienda. Comuníquese con el centro de servicio autorizado de productos RIDGID® de su preferencia. Asegúrese de proporcionar todos los datos pertinentes al llamar o al presentarse personalmente. Para obtener información sobre el centro de servicio autorizado más cercano a usted, le suplicamos llamar al 1-866-539-1710 o visitar nuestro sitio en la red mundial, en la dirección www.RIDGID.com.

NÚM. DE MODELO _____ NÚM. DE SERIE _____

ONE WORLD TECHNOLOGIES, INC.

P.O. Box 35, Hwy. 8
Pickens, SC 29671, USA
1-866-539-1710 ■ www.RIDGID.com

RIDGID is a registered trademark of RIDGID, Inc., used under license.

990000974
12-4-14 (REV:03)