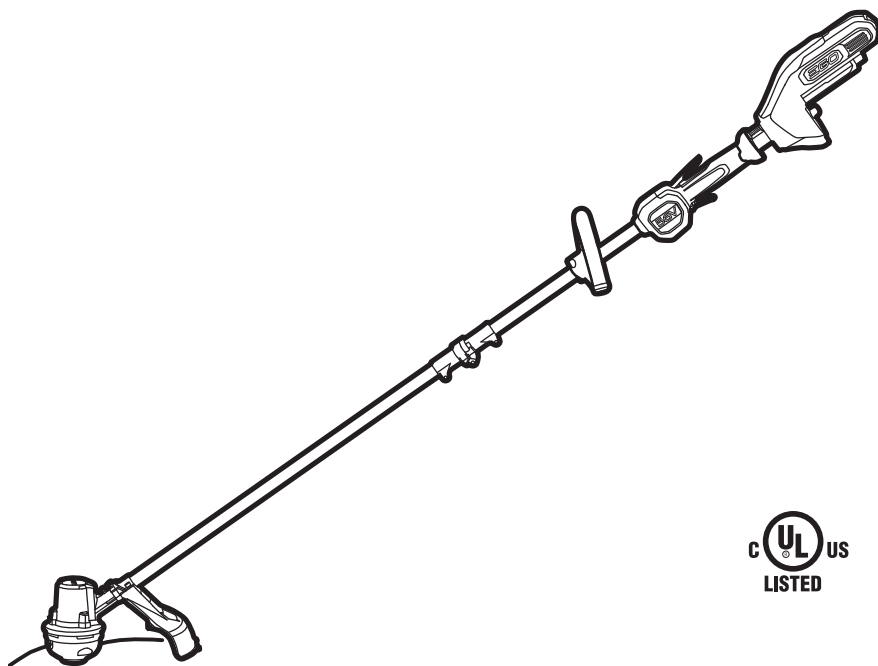


EGO[®]

POWER⁺ STRING TRIMMER



OPERATOR'S MANUAL
**56-VOLT LITHIUM-ION
CORDLESS 15" BRUSHLESS
STRING TRIMMER**

MODEL NUMBER ST1500/ST1500-S/
ST1500 STRAIGHT SHAFT/
ST1500-S FOLDABLE SHAFT

Español p. 33

⚠ WARNING: To reduce the risk of injury, the user must read and understand the Operator's Manual before using this product. Save these instructions for future reference.



TABLE OF CONTENTS

Safety Symbols	4
Safety Instructions	5-8
Introduction	9
Specifications	9
Assembly	10
Packing List	11-13
Description	14-15
Operation	16-24
Maintenance	25-26
Troubleshooting	26-28
Warranty	28-29
Parts List	30-31

READ ALL INSTRUCTIONS!



READ & UNDERSTAND
INSTRUCTION MANUAL

⚠ WARNING: Some dust created by power cutting contains chemicals known to the state of California to cause cancer, birth defects or other reproductive harm. Some examples of these chemicals are:

- Lead from lead-based paints
- Crystalline silica from bricks and cement and other masonry products, and
- Arsenic and chromium from chemically-treated lumber.

Your risk from these exposures varies, depending on how often you do this type of work. To reduce your exposure to these chemicals: work in a well ventilated area, and work with approved safety equipment, such as those dust masks that are specially designed to filter out microscopic particles.

SAFETY SYMBOLS

The purpose of safety symbols is to attract your attention to possible dangers. The safety symbols and the explanations with them deserve your careful attention and understanding. The symbol warnings do not, by themselves, eliminate any danger. The instructions and warnings they give are no substitutes for proper accident prevention measures.

⚠ WARNING: Be sure to read and understand all safety instructions in this Operator's Manual, including all safety alert symbols such as "DANGER," "WARNING," and "CAUTION" before using this tool. Failure to following all instructions listed below may result in electric shock, fire, and/or serious personal injury.

SYMBOL MEANING

⚠ SAFETY ALERT SYMBOL: Indicates DANGER, WARNING, OR CAUTION. May be used in conjunction with other symbols or pictographs.



⚠ WARNING! The operation of any power tools can result in foreign objects being thrown into your eyes, which can result in severe eye damage. Before beginning power tool operation, always wear safety goggles or safety glasses with side shield and a full face shield when needed. We recommend a Wide Vision Safety Mask for use over eyeglasses or standard safety glasses with side shields. Always use eye protection which is marked to comply with ANSI Z87.1.

SAFETY INSTRUCTION

This page depicts and describes safety symbols that may appear on this product. Read, understand, and follow all instructions on the machine before attempting to assemble and operate it.

	Safety Alert	Indicates a potential personal injury hazard.
	Read the Operator's Manual	To reduce the risk of injury, user must read operator's manual.
	Eye Protection	Always wear safety goggles or safety glasses with side shields and a full face shield when operating this product.
	Recycle Symbols	This product uses lithium-ion (Li-ion) batteries. Local, state, or federal laws may prohibit disposal of batteries in ordinary trash. Consult your local waste authority for information regarding available recycling and/or disposal options.
V	Volt	Voltage
mm	Millimeter	Length or size
cm	Centimeter	Length or size
in.	Inch	Length or size
kg	Kilogram	Weight
lb	Pound	Weight
DC	Direct Current	Type or a characteristic of current
RPM	Revolutions per minute	Rotational speed

⚠ DANGER: People with electronic devices, such as pacemakers, should consult their physician(s) before using this product. Operation of electrical equipment in close proximity to a heart pacemaker could cause interference or failure of the pacemaker.

IMPORTANT SAFETY INSTRUCTIONS

⚠ WARNING! When using electric trimmers, basic safety precautions should always be followed to reduce the risk of fire, electric shock, and personal injury, including the following:

READ ALL INSTRUCTIONS

⚠ DANGER! Do not rely on the tool's insulation against electric shock. To reduce the risk of electrocution, never operate the tool in the vicinity of any wires or cables (power, etc) which may carry electric current.

⚠ CAUTION! Wear appropriate personal hearing protection during use. Under some conditions and durations of use, noise from this product may contribute to hearing loss.

- Keep Children Away - All visitors should be kept at a distance from work area.
- Dress Properly - Do not wear loose clothing or jewelry. They can be caught in moving parts. Use of rubber gloves and substantial footwear is recommended when working outdoors. Wear protective hair covering to contain long hair.
- Use Safety Glasses - Always use face or dust mask if operation is dusty.
- Use the Right Tool - Do not use the tool for any job except that for which it is intended.
- Don't Force the Trimmer - It will do the job better and with less likelihood of a risk of injury at the rate for which it was designed.
- Don't Overreach - Keep proper footing and balance at all times.
- Stay Alert - Watch what you are doing. Use common sense. Do not operate the trimmer when you are tired.
- Do not operate the trimmer while under the influence of alcohol or drugs.
- Keep guards in place and in working order.
- Keep hands and feet away from the cutting area.
- Store Trimmer Indoors - When not in use the trimmer should be stored indoors in a dry and high or locked-up place with the battery pack removed- out of reach of children.
- Maintain Trimmer With Care - Keep the cutting attachment clean for best performance and to reduce the risk of injury. Follow instructions for changing accessories. Keep handles dry, clean, and free from oil and grease.

- Check Damaged Parts - Before further use of the trimmer, a guard or other part that is damaged should be carefully checked to determine that it will operate properly and perform its intended function. Check for alignment of moving parts, binding of moving parts, breakage of parts, mounting, and any other condition that may affect its operation. A guard or other part that is damaged should be properly repaired or replaced by an authorized service center unless indicated elsewhere in this manual.
- Clear the area to be cut before each use. Remove all objects such as rocks, broken glass, nails, wire, or string which can be thrown or become entangled in the cutting attachment. Make sure that other persons and pets are at least 100 ft. (30.5m) away.
- Always hold the trimmer firmly, with both hands on the handles while operating. Wrap your fingers and thumbs around the handles.
- Avoid Accidentally Starting-Don't carry the trimmer with your finger on the trigger.
- Do not operate the trimmer in gaseous or explosive atmospheres. Motors in these appliances normally spark, and the sparks might ignite fumes.
- Damage to Trimmer - If you strike a foreign object with the trimmer or it becomes entangled, stop the tool immediately, check for damage and have any damage repaired before further operation is attempted. Do not operate with a broken guard or spool.
- If the equipment should start to vibrate abnormally, stop the motor and check immediately for the cause. Vibration is generally a warning of trouble. A loose head may vibrate, crack, break or come off the trimmer, which may result in serious or fatal injury. Make sure that the cutting attachment is properly fixed in position. If the head loosens after fixing it in position, replace it immediately. Never use a trimmer with a loose cutting attachment.
- Replace a crack, damaged or worn-out mowing head immediately, even if damage is limited to superficial cracks. Such attachments may shatter at high speed and cause serious or fatal injury.
- Check the cutting attachment at regular short intervals during operation, or immediately if there is a noticeable change in cutting behavior.
- When replacing the cutting line, use only AL0951 0.095" (2.4mm) nylon line; using heavier lines than recommended by the manufacturer increases the load on the motor and reduces its operating speed. This results in overheating and damage of the trimmer.

- To reduce the risk of serious injury, never use wire or metal-reinforced line or other material in place of the nylon cutting lines. Piece of wire could break off and be thrown at high speed toward the operator or bystanders.
- To reduce the risk of injury from loss of control, never work on a ladder or on any other insecure support. Never hold the cutting attachment above waist height.
- If situations occur which are not covered in this manual, use care and good judgment. Contact the EGO Service Center for assistance.
- Do not charge the battery pack in rain, or in wet locations.
- Use only with battery packs and chargers listed below:

BATTERY PACK	CHARGER
BA1120, BA1400, BA2240, BA2800, BA3360, BA4200	CH5500 CH2100

- Do not dispose of the battery in a fire. The cells may explode. Check with local codes for possible special disposal instructions.
- Do not open or mutilate the battery. Released electrolyte is corrosive and may cause damage to the eyes or skin. It may be toxic if swallowed.
- Exercise care in handling batteries in order not to short the battery with conducting materials such as rings, bracelets, and keys. The battery or conductor may overheat and cause burns.
- Replacement Parts- When servicing, use only identical EGO replacement parts. Use of any other accessory or attachment may increase the risk of injury.
- Battery tools do not have to be plugged into an electrical outlet; therefore, they are always in operating condition. Be aware of possible hazards even when tool is not operating. Take care when performing maintenance or service.
- Remove or disconnect battery pack before servicing, cleaning or removing material from the trimmer.
- Do not wash with a hose; avoid getting water in motor and electrical connections.
- Save these instructions. Refer to them frequently and use them to instruct others who may use this tool. If you loan this tool to someone else, also loan these instructions to them to prevent misuse of the product and possible injury.

SAVE THESE INSTRUCTIONS!

INTRODUCTION

Congratulations on your selection of 56-Volt Lithium-ion cordless 15" brushless string trimmer. It has been designed, engineered and manufactured to give you the best possible dependability and performance.

Should you experience any problem you cannot easily remedy, please contact EGO customer service center 1-855-EGO-5656.

This manual contains important information on to the safe assembly, operation and maintenance of your string trimmer. Read it carefully before using the string trimmer. Keep this manual handy so you can refer to it at any time.

SERIAL NUMBER _____ DATE OF PURCHASE _____

YOU SHOULD RECORD BOTH SERIAL NUMBER AND DATE OF PURCHASE AND KEEP IN A SAFE PLACE FOR FUTURE REFERENCE

SPECIFICATIONS

Voltage	56V DC
No-load speed	5800 RPM
Cutting Mechanism	Bump Head
Cutting Line Type	AL0951 0.095" (2.4mm) nylon line
Cutting Width	15 in. (38 cm)
Weight (Without battery pack)	6.7 lb (3.04kg)

ASSEMBLY

⚠ WARNING: If any parts are damaged or missing, do not operate this product until the parts are replaced. Use of this product with damaged or missing parts could result in serious personal injury.

⚠ WARNING: Do not attempt to modify this product or create accessories not recommended for use with this string trimmer. Any such alteration or modification is misuse and could result in a hazardous condition leading to possible serious personal injury.

⚠ WARNING: To prevent accidental starting that could cause serious personal injury, always remove the battery pack from the tool when assembling parts.

UNPACKING

- This product requires assembly.
- Carefully remove the product and any accessories from the box. Make sure that all items listed in the packing list are included.
- Inspect the tool carefully to make sure that no breakage or damage occurred during shipping.
- Do not discard the packing material until you have carefully inspected and satisfactorily operated the tool.
- If any parts are damaged or missing, please return the product to the place of purchase.

PACKING LIST

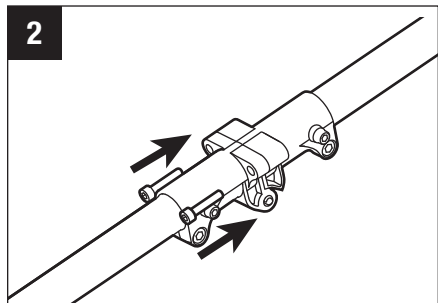
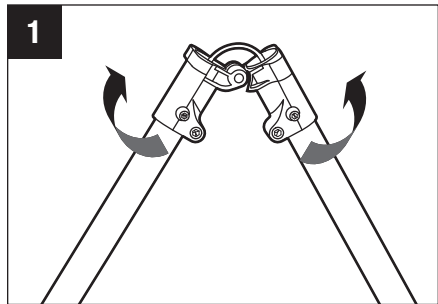
PART NAME	QUANTITY
String Trimmer	1
Guard	1
Front-assist handle assembly	1
M5 Hex wrench	1
Bolts for locking shaft (only available to ST1500-S)	2
Operator's manual	1

UNFOLDING THE SHAFT (ONLY AVAILABLE TO ST1500-S)

⚠ WARNING: Do not hold the shaft at the joints in order to avoid pinching your hands or fingers.

⚠ WARNING: Do not attempt to start the trimmer until the shaft has been locked.

1. Remove the battery pack from the trimmer.
2. Put your trimmer on the ground and carefully unfold the shaft. Make sure that the cable is inside the shaft make sure that it will not be pinched when closing the joints (Fig. 1).
3. Use the M5 hex wrench to lock the shaft with two bolts (Fig. 2).



MOUNTING THE GUARD

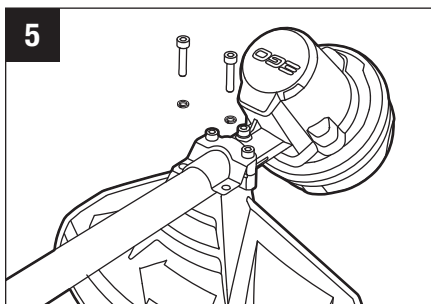
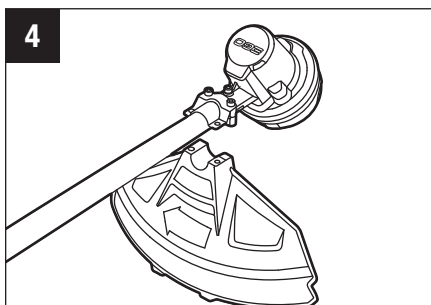
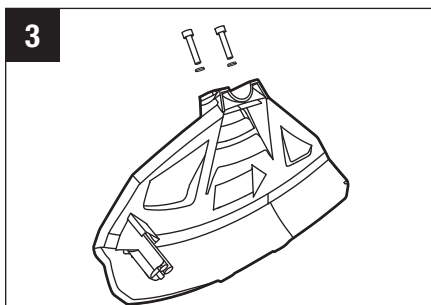
⚠ WARNING: Always wear gloves when mounting or replacing the guard. Be careful of the blade on the guard and protect your hands from cutting.

1. Remove the battery pack from the trimmer.

2. Loosen the two bolts in the guard with the M5 hex wrench; remove the bolts and spring washers from the guard (Fig. 3).

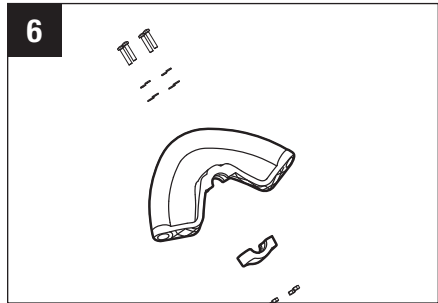
3. Lift the trimmer head and face it downward; align the two mounting holes in the guard with the two assembly holes in the base of the shaft. Make sure the internal surface of the guard faces towards the trimmer head (Fig. 4).

4. Lock the guard in place with the bolts and the M5 hex wrench (Fig. 5).

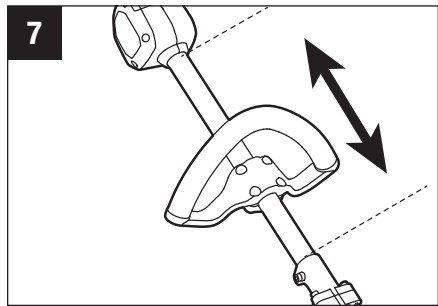


MOUNTING AND ADJUSTING THE FRONT-ASSIST HANDLE

1. Remove the battery pack from the trimmer.
2. Loosen the four screws in the handle with a Phillips screwdriver (available separately) and remove the screws, spring washers, flat washers and lower clamp from the handle (Fig. 6).
3. Attach the front-assist handle and lower clamp on the shaft and secure them by pre-tightening the four screws. Turn the front-assist handle upwards to point toward the top of the handle (Fig. 7).



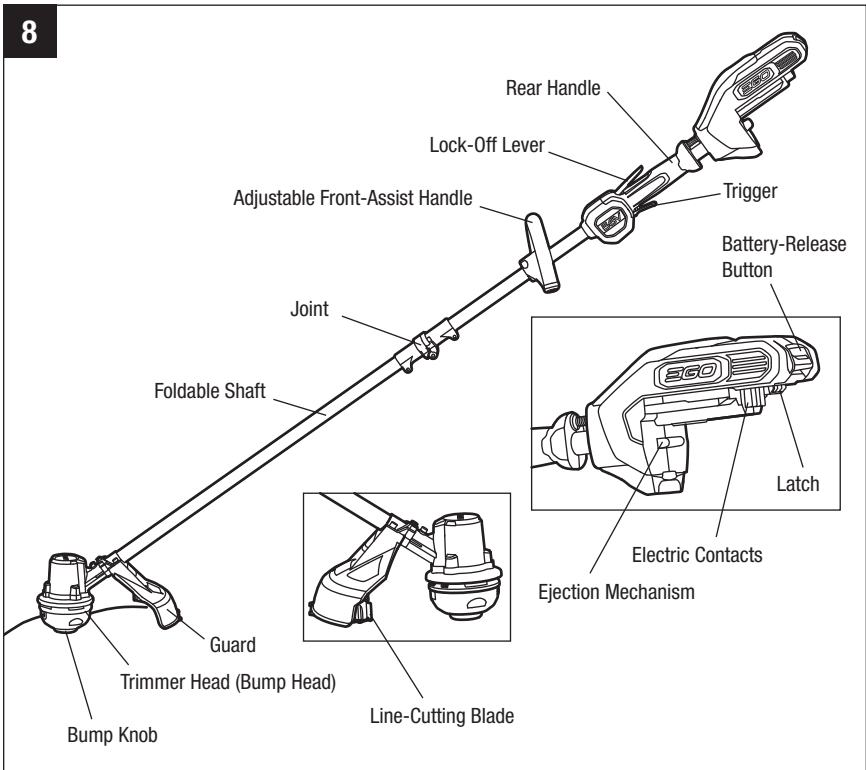
4. Adjust the front-assist handle position between the rear handle housing and the joint of the shaft, as shown in Fig. 7. For ST1500, adjust the handle between the rear handle housing and warning label on the shaft. Shorter users may adjust handle to a lower position (away from you) and taller users may adjust the handle to an upper position (towards you). The handle should be adjusted so that your front arm will be straight when using the trimmer.
5. Tighten the four screws so that the handle cannot be rotated on the shaft.



DESCRIPTION

KNOW YOUR STRING TRIMMER (Fig. 8)

The safe use of this product requires an understanding of the information on the tool and in this operator's manual as well as knowledge of the project you are attempting. Before use of this product, familiarize yourself with all operating features and safety rules.



⚠ WARNING: Never operate the tool without the guard firmly in place. The guard must always be on the tool to protect the user.

ADJUSTABLE FRONT-ASSIST HANDLE

For easy control of the trimmer during cutting.

REAR HANDLE

Ergonomic handle with overmold improves comfort and grip.

TRIGGER

To turn the string trimmer On and Off and to adjust the trimmer head speed.

LOCK-OFF LEVER

Helps prevent accidental or unauthorized activation of the trigger. It must be depressed before the trigger can be activated.

FOLDABLE SHAFT (ONLY AVAILABLE TO ST1500-S)

Encloses and protects the cables between the motor and rear handle.

JOINT (ONLY AVAILABLE TO ST1500-S)

Connects and locks the two foldable shafts.

TRIMMER HEAD (BUMP HEAD)

The cutting attachment for cutting grass.

BUMP KNOB

A light tap of the bump knob on the ground while operating the trimmer releases the cutting line.

GUARD

Design to reduce the risk of injury from foreign objects flung backwards toward the operator by the cutting attachment and from contact with the cutting attachment.

LINE CUTTING BLADE

Steel blade on the guard keeps the cutting line at the proper length.

BATTERY RELEASE BUTTON

To release the battery pack from the tool.

LATCH

Locks the battery pack when installing it on the tool.

EJECTION MECHANISM

Aids in battery removal.

OPERATION

⚠ WARNING: Do not allow familiarity with this product to make you careless. Remember that a careless fraction of a second is sufficient to inflict serious injury.

⚠ WARNING: Always wear eye protection with side shields marked to comply with ANSI Z87.1, along with hearing protection. Failure to do so could result in objects being thrown into your eyes and other possible serious injuries.

⚠ WARNING: Do not use any attachments or accessories not recommended by the manufacturer of this product. The use of attachments or accessories not recommended can result in serious personal injury.

TO INSTALL/REMOVE BATTERY PACK (Fig. 9 & 10)

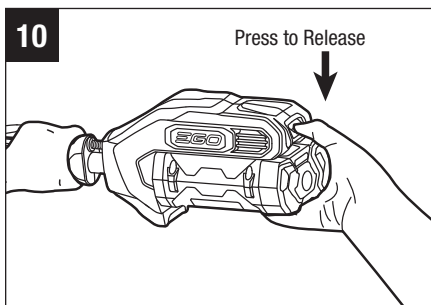
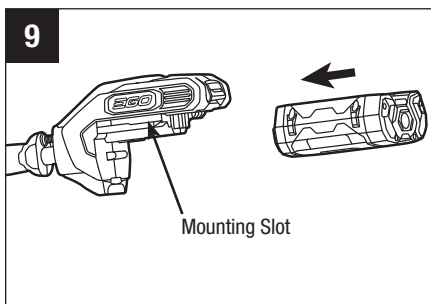
⚠ WARNING: Always remove battery pack from the product when you are assembling parts, making adjustments, cleaning, or when not in use. Removing the battery pack will prevent accidental starting that could cause serious personal injury.

NOTE: Fully charge the battery pack before first use.

To install (Fig. 9)

- Align the ribs of the battery pack with the mounting slots in the string trimmer's battery port.
- Press the battery pack towards the trimmer head until it snaps into position.

NOTE: Make sure that the latch on the string trimmer snaps into place and the battery pack is secured to the tool before beginning operation.



To remove (Fig. 10)

⚠ WARNING: Always be aware of the location of your feet and children or pets around you when pressing the battery release button. Serious injury could result if the battery pack falls. NEVER remove the battery pack at a high location.

- Hold the battery pack in the palm of your hand.
- Press the battery release button with your thumb; the battery pack will disengage from the latch.
- Grasp the battery pack and remove it from the string trimmer.

HOLDING THE STRING TRIMMER

⚠ WARNING: Dress properly to reduce the risk of injury when operating this tool. Do not wear loose clothing or jewelry. Wear eye and ear/hearing protection. Wear heavy, long pants, boots and gloves. Do not wear short pants, sandals or go barefoot.

Before operating the unit, stand in the operating position and check that:

- The operator is wearing eye protection and proper clothing.
- One arm is slightly bent, and the hand on that arm is holding the rear handle.
- The other arm is straight, with that hand holding the front-assist handle.
- The trimmer head is parallel to the ground and easily contacts the material to be cut without the operator having to bend over (Fig. 11).



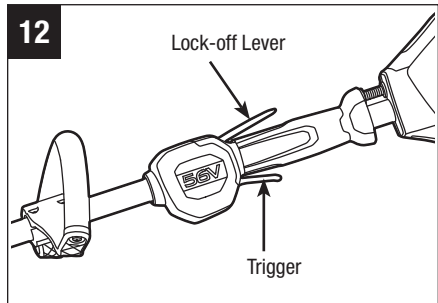
STARTING/STOPPING THE STRING TRIMMER

Before starting the string trimmer

- Make sure you have a secure and balanced footing.
- Stand upright and hold the string trimmer in a relaxed position.
- Make sure that the cutting line is not touching the ground or any other objects.
- Hold the string trimmer with both hands: One hand on the rear handle and one hand on the front-assist handle.

To start the string trimmer (Fig. 12)

1. Press down the lock-off lever and hold it in that position. Depress the trigger to turn on the string trimmer.
2. The rotational speed of the cutting line is controlled with the variable speed trigger. More pressure on the trigger results in higher cutting speed; less pressure on the trigger results in lower cutting speed. Adjust the speed to suit the task at hand.



NOTICE: The motor runs only when the lock-off lever and trigger are operated simultaneously.

To stop the string trimmer

Release the lock-off lever and the trigger to stop the string trimmer.

⚠ WARNING: Always remove the battery pack from the string trimmer during work breaks and after finishing work.

USING THE STRING TRIMMER

⚠ WARNING: To avoid serious personal injury, wear goggles or safety glasses at all times when operating this unit. Wear a face mask or dust mask in dusty locations.

Clear the area to be cut before each use. Remove all objects, such as rocks, broken glass, nails, wire, or string that can be thrown or become entangled in the cutting attachment. Clear the area of children, bystanders, and pets. At a minimum, keep all children, bystanders and pets at least 100 feet (30.5m) away; there still may be risk to bystanders from thrown objects. Bystanders should be encouraged to wear eye protection. If you are approached, stop the motor and cutting attachment immediately.

⚠ WARNING: To prevent serious personal injury, remove the battery pack from the tool before servicing, cleaning, changing attachments or removing material from the unit.

Before each use check for damaged/worn parts

Check the bump head, guard and front-assist handle and replace any parts that are cracked, warped, bent, or damaged in any way.

The line-cutting blade on the edge of the guard can dull over time. It is recommended that you periodically sharpen it with a file or replace it with a new blade.

⚠ WARNING: Always wear gloves when mounting or replacing the guard, or sharpening or replacing the blade. Note the location of the blade on the guard and protect your hand from cutting.

After each use, clean the trimmer.

⚠ WARNING: To prevent serious personal injury, remove the battery pack from the tool before servicing, cleaning, changing attachments or removing material from the unit.

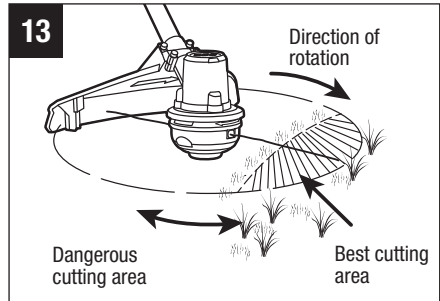
- Clear any grass that may have wrapped itself around the motor shaft or trimmer head.
- Use only mild soap and a damp cloth to clean the tool. Never let any liquid get inside the tool; never immerse any part of the tool into a liquid.
- Wipe off the unit with a clean, dry, soft cloth.
- Keep the air vents in the rear housing free from debris at all times (Fig. 11).

NOTICE: Obstructing the vents will prevent the air from flowing into the motor housing and may result in overheating or damage to the motor.

⚠ WARNING: Never use water for cleaning your trimmer. Avoid using solvents when cleaning plastic parts. Most plastics are susceptible to damage from various types of commercial solvents. Use clean clothes to remove dirt, dust, oil, grease, etc.

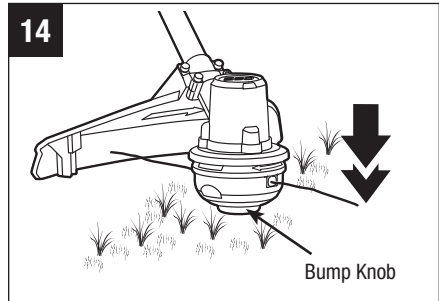
Tips for best trimming results (Fig. 13)

- The correct angle for the cutting attachment is parallel to the ground.
- This string trimmer allows you to rest the bump knob on the ground for more comfortable operation.
- Do not force the trimmer. Allow the very tip of the line to do the cutting (especially along walls). Cutting with more than the tip will reduce cutting efficiency and may overload the motor.
- The cutting height is determined by the distance of the cutting line from the lawn surface.
- Grass over 8 inches (200 mm) should be cut by working from top to the bottom in small increments to avoid premature line wear or motor drag.
- Slowly move the trimmer into and out of the area being cut, maintaining the cutting head position at the desired cutting height. This movement can be either a forward-backward motion or a side-to-side motion. Cutting shorter lengths produces best results.
- Trim only when grass and weeds are dry.
- Wire and picket fences can cause extra string wear or breakage. Stone and brick walls, curbs, and wood may wear strings rapidly.
- Avoid trees and shrubs. Tree bark, wood moldings, siding, and fence posts can easily be damaged by the strings.



ADJUSTING CUTTING LINE LENGTH

The trimmer head allows the operator to release more cutting line without stopping the motor. As line becomes frayed or worn, additional line can be released by lightly tapping the bump knob on the ground while operating the trimmer (Fig. 14).



⚠ WARNING: Do not remove or alter the line cutting blade assembly. Excessive line length will cause the motor to overheat and may result in serious personal injury.

For best results, tap the bump knob on bare ground or hard soil. If line release is attempted in tall grass, the motor may overheat. Always keep the trimming line fully extended. Line release becomes more difficult as the cutting line becomes shorter.

LINE REPLACEMENT

NOTICE: Always use standard 0.095 in. (2.4 mm) diameter replacement nylon cutting line. Using line other than that specified may cause the string trimmer to overheat or become damaged.

⚠ WARNING: Never use metal-reinforced line, wire, or rope, etc. These can break off and become dangerous projectiles.

There are two methods to replace the cutting line:

1. Wind the spool with new line.
2. Install a pre-wound spool.

Wind the spool with new line

⚠ WARNING: To prevent serious personal injury, remove the battery pack from the tool before servicing, cleaning, changing attachments or removing material from the unit.

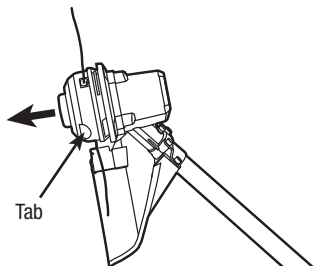
1. Press the release tabs on the spool base and remove the spool retainer by pulling it straight out (Fig. 15).
2. Remove the spool. Use a clean cloth to clean the inner surface of the spool retainer and spool base.

NOTICE: Always clean the spool retainer, spool base before reassembling the trimmer head.

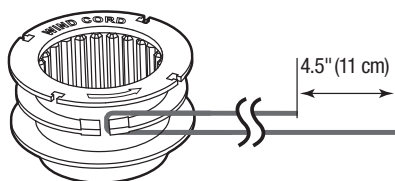
3. Check the spool retainer, spool and spool base for wear. If necessary, replace the wear parts.
4. Take approximately 17 ft (5.2m) of new cutting line. Fold the line in half and then adjust it so that one end is 4.5 in. (11cm) longer than the other (Fig. 16).
5. Hook the folded end of the cutting line onto either of the slots in the spool (Fig. 17).
6. Wind the line, in two even and tight layers, onto the spool. Wind the line in the direction indicated on the spool (Fig. 17).

NOTICE: Failure to wind the line in the direction indicated will cause the trimmer head to operate incorrectly.

15

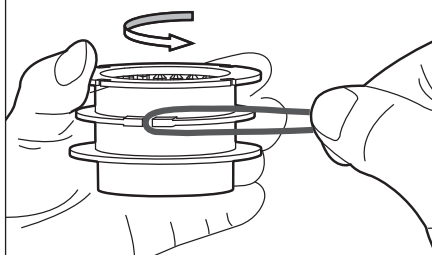


16

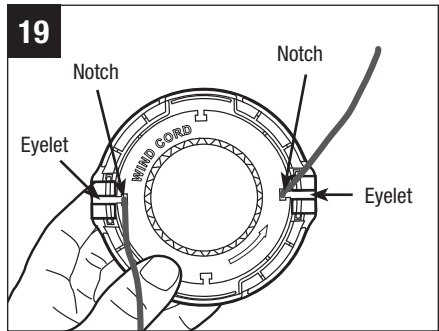
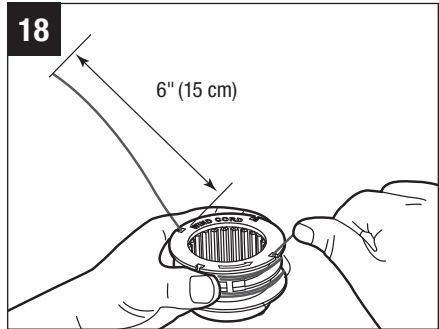


17

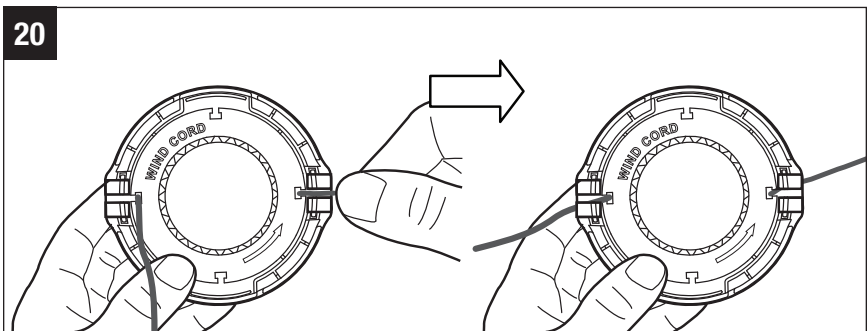
Wind Direction



- Place the ends of the line in two opposite notches in the spool, with approximately 6 in. (15 cm) protruding (Fig. 18).
- Align the notches of the spool from which the lines protrude with the eyelets in the spool retainer and position the spool in the retainer (Fig. 19).

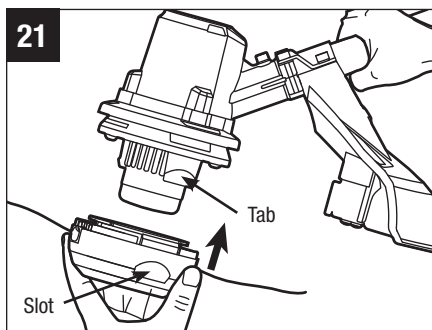


- Hold the spool and spool retainer; grasp the line and pull it to release the line from the notch in the eyelet (Fig. 20).



10. With the spool base facing downward, align the slots in the spool retainer with the tabs on the spool base and press the retainer evenly down until it snaps into place (Fig. 21).

NOTICE: Make sure the tabs on the spool base snap into place or the spool will come out during operation.



Install a pre-wound spool

⚠ WARNING: To prevent serious personal injury, remove the battery pack from the tool before servicing, cleaning, changing attachments or removing material from the unit.

1. Press the release tabs on the spool base and remove the retainer by pulling it straight out (Fig. 15).
2. Remove the spool. Use a clean cloth to clean the inner surface of the spool retainer and spool base.
3. Check the spool retainer, spool and spool base for wear. If necessary, replace the wear parts.
4. Place a pre-wound spool on the spool retainer.
5. Align the notches of the spool from which the lines protrude with the eyelets in the spool retainer and position the spool in the retainer (Fig. 19).
6. Hold the spool and spool retainer; grasp the line and pull it to release the line from the notch in the eyelet (Fig. 20).
7. With the spool base facing downward, align the slots in the spool retainer with the tabs on the spool base and press the retainer evenly down until it snaps into place (Fig. 21).

NOTICE: Make sure that the tabs on the spool base snap into place or the spool will come out during operation.

MAINTENANCE

⚠ WARNING: When servicing, use only identical replacement parts. Use of any other parts may create a hazard or cause product damage. To ensure safety and reliability, all repairs should be performed by a qualified service technician.

⚠ WARNING: Battery tools do not have to be plugged into an electrical outlet; therefore, they are always in operating condition. To prevent serious personal injury, take extra precautions and care when performing maintenance, service or for changing the cutting attachment or other attachments.

⚠ WARNING: To prevent serious personal injury, remove the battery pack from the tool before servicing, cleaning, changing add-on attachments or removing material from the unit.

CLEAN THE UNIT

- Clear any grass that may have wrapped itself around the motor shaft or trimmer head.
- Use a small brush or the air discharge of a small vacuum cleaner brush to clean the air vents on the rear housing.
- Keep the air vents free of obstructions.
- Clean the unit using a damp cloth with a mild detergent.
- Do not use any strong detergents on the plastic housing or the handle. They can be damaged by certain aromatic oils such as pine and lemon, and by solvents such as kerosene. Moisture can also cause a shock hazard. Wipe off any moisture with a soft dry cloth.

SHARPEN THE LINE CUTTING BLADE

⚠ WARNING: Always protect your hands by wearing heavy gloves when performing any maintenance on the line cutting blade.

1. Remove the line cutting blade from the guard.
2. Secure the blade in a vise.
3. Wear proper eye protection and gloves and be careful not to cut yourself.
4. Carefully file the cutting edges of the blade with a fine tooth file or sharpening stone, maintaining the original cutting edge angle.
5. Replace the blade on the guard and locked with the two screws.

STORING THE UNIT

- Remove the battery pack from the trimmer.
- Clean the tool thoroughly before storing it.
- Store the unit in a dry, well-ventilated area, locked-up or up high, out of the reach of children. Do not store the unit on or adjacent to fertilizers, gasoline, or other chemicals.

TROUBLESHOOTING

PROBLEM	CAUSE	SOLUTION
String trimmer fails to start.	<ul style="list-style-type: none"> ■ The battery pack is not attached to the trimmer. ■ No electrical contact between the trimmer and battery. ■ The battery pack is depleted. ■ The lock-off lever and trigger are not depressed simultaneously. 	<ul style="list-style-type: none"> ■ Attach the battery pack to the trimmer. ■ Remove battery, check contacts and reinstall the battery pack. ■ Charge the battery pack. ■ Press down the lock-off lever and hold it, then depress the trigger to turn on the string trimmer.
String trimmer stops while cutting.	<ul style="list-style-type: none"> ■ The guard is not mounted on the trimmer, resulting in an overly long cutting line and motor overload. ■ Heavy cutting line is used. ■ The motor shaft or trimmer head is bound with grass. ■ The motor is overloaded. ■ The battery pack or string trimmer is too hot. ■ The battery pack is disconnected from the tool. ■ The battery pack is depleted. 	<ul style="list-style-type: none"> ■ Remove the battery pack and mount the guard on the trimmer. ■ Use only with nylon cutting 0.095" (2.4mm) diameter or less. ■ Stop the trimmer, remove the battery, and clean the motor shaft and trimmer head. ■ Remove the trimmer head from the grass. The motor will recover to work as soon as the load is removed. When cutting, move the trimmer head in and out of the grass to be cut and remove no more than 8 inches of length in a single cut. ■ Allow the battery pack or trimmer to cool until the temperature drops below 152°F (67°C). ■ Re-install the battery pack. ■ Charge the battery pack.

<p>Trimmer head will not advance line.</p>	<ul style="list-style-type: none"> ■ The motor shaft or trimmer head is bound with grass. ■ Not enough line on spool. ■ Trimmer head is dirty. ■ Line is tangled on spool. ■ Line is worn too short. 	<ul style="list-style-type: none"> ■ Stop the trimmer, remove the battery, and clean the motor shaft and trimmer head. ■ Remove the battery and replace the cutting line; follow the section “LINE REPLACEMENT” in this manual. ■ Remove the battery and clean the spool, spool retainer and spool base. ■ Remove the battery, remove the line from the spool and rewind; follow the section “LINE REPLACEMENT” in this manual. ■ Remove the battery and pull the lines while alternately pressing down on and releasing the bump knob.
<p>Grass wraps around trimmer head and motor housing.</p>	<ul style="list-style-type: none"> ■ Cutting tall grass at ground level. 	<ul style="list-style-type: none"> ■ Cut tall grass from the top down, removing no more than 8 inches in each pass to prevent wrapping.
<p>Line is not cutting well.</p>	<ul style="list-style-type: none"> ■ The line-cutting blade on the edge of the guard has become dull. 	<ul style="list-style-type: none"> ■ Sharpen the line-cutting blade with a file or replace it with a new blade.



EGO WARRANTY POLICY

5 year limited warranty on EGO outdoor power equipment and 3 year limited warranty on EGO Power+ System battery packs and chargers.

Please contact EGO Customer Service Toll-Free at 1-855-EGO-5656 any time you have questions or warranty claims.

LIMITED SERVICE WARRANTY

FOR FIVE YEARS from the date of original retail purchase, this EGO product is warranted against defects in material or workmanship. Defective product will receive free repair.

FOR THREE YEARS from the date of original retail purchase, the EGO Power+ System battery pack and charger are warranted against defects in material or workmanship. Defective product will receive free repair.

This warranty does not cover the damage resulting from modification, alteration or unauthorized repair or from use of any cutting line other than the standard 0.095 in. (2.4mm) diameter nylon cutting line recommended for use with this product.

- a) This warranty applies only to the original purchaser at retail and may not be transferred.
- b) The warranty period for any EGO product or part used for industrial, professional or commercial purpose is one year.
- c) This warranty is void if the product has been used for rental purpose.
- d) This warranty does not cover the damage resulting from modification, alteration or unauthorized repair or from use of any cutting line other than the EGO AL0950 or AL0951 0.095 in. (2.4mm) diameter nylon cutting line recommended for use with this product.
- e) This warranty only covers defects arising under normal usage and does not cover any malfunction, failure or defect resulting from misuse, abuse (including overloading of the product beyond capacity and immersion in water or other liquid), accidents, neglect or lack of proper installation, and improper maintenance or storage.
- f) This warranty does not cover normal deterioration of the exterior finish, including but not limited to scratches, dents, paint chips, or to any corrosion or discoloring by heat, abrasive and chemical cleaners.



HOW TO OBTAIN SERVICE

For warranty service, please contact EGO customer service toll-free at 1-855-EGO-5656. When requesting warranty service, you must present the original dated sales receipt. An authorized service center will be selected to repair the product according to the stated warranty terms.

ADDITIONAL LIMITATIONS

To the extent permitted by applicable law, all implied warranties, including warranties of MERCHANTABILITY or FITNESS FOR A PARTICULAR PURPOSE, are disclaimed. Any implied warranties, including warranties of merchantability or fitness for a particular purpose, that cannot be disclaimed under state law are limited to five years from the date of purchase for outdoor power equipment and three years from date of purchase for battery pack and charger.

Chervon North America is not responsible for direct, indirect, incidental or consequential damages.

Some states do not allow limitations on how long an implied warranty lasts and/or do not allow the exclusion or limitation of incidental or consequential damages, so the above limitations may not apply to you.

This warranty gives you specific legal rights, and you may also have other rights which vary from state to state.

For customer service contact us toll-free at: 1-855-EGO-5656 or EGOPOWERPLUS.COM

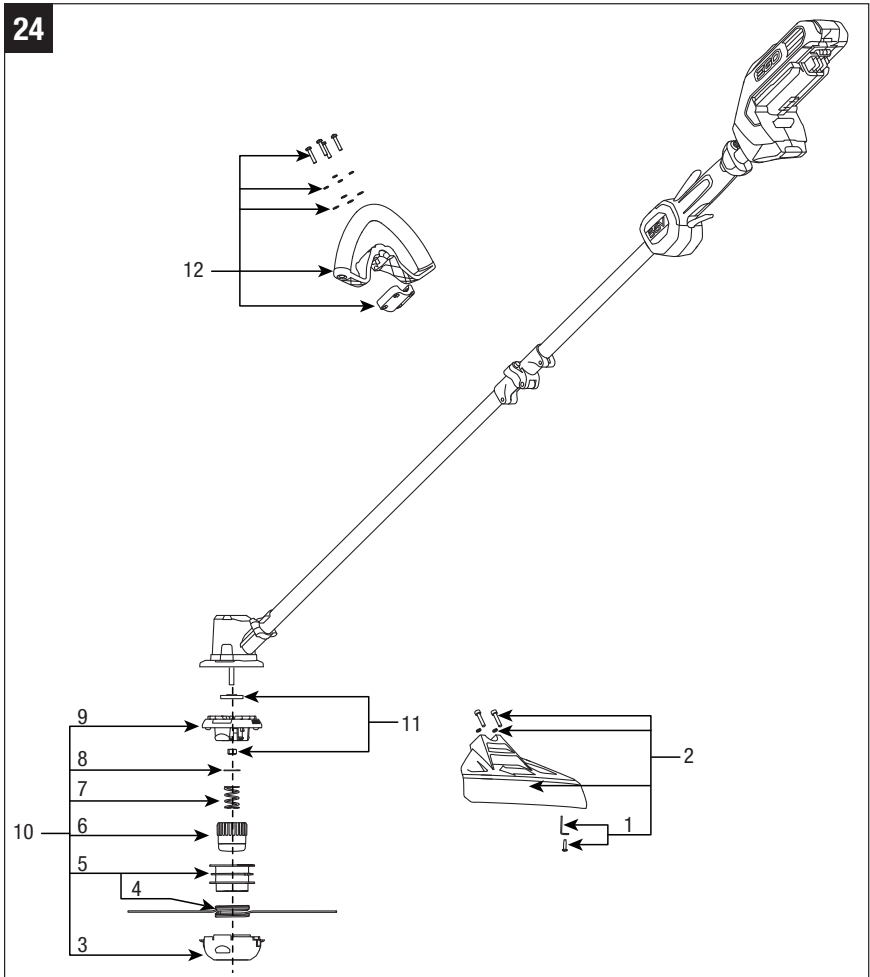
EGO Customer Service, 120 Ionia Street SW / Suite 102 Grand Rapids, MI 49503

PART LIST

56V LITHIUM-ION CORDLESS STRING TRIMMER MODEL NUMBER ST1500-S

The Model Number will be found on the Nameplate attached to the housing of the string trimmer. Always mention the Model Number when ordering parts for this tool.

24



INDEX NUMBER	PART NO.	DESCRIPTION	QTY
1	2823713000	Line cutting blade set	1
2	2824011000	Guard assembly	1
3	2824019000	Spool retainer assembly	1
4	3800103000	Cutting line	1
5	2824087000	Spool assembly	1
6	2824022000	Bump knob	1
7	3660582000	Compression spring	1
8	5650349000	Washer	1
9	2824082000	Spool base	1
10	2824021000	Trimmer head assembly	1
11	2824010000	Hexagon nut set (for trimmer head)	1
12	2823711000	Front-assist handle assembly	1