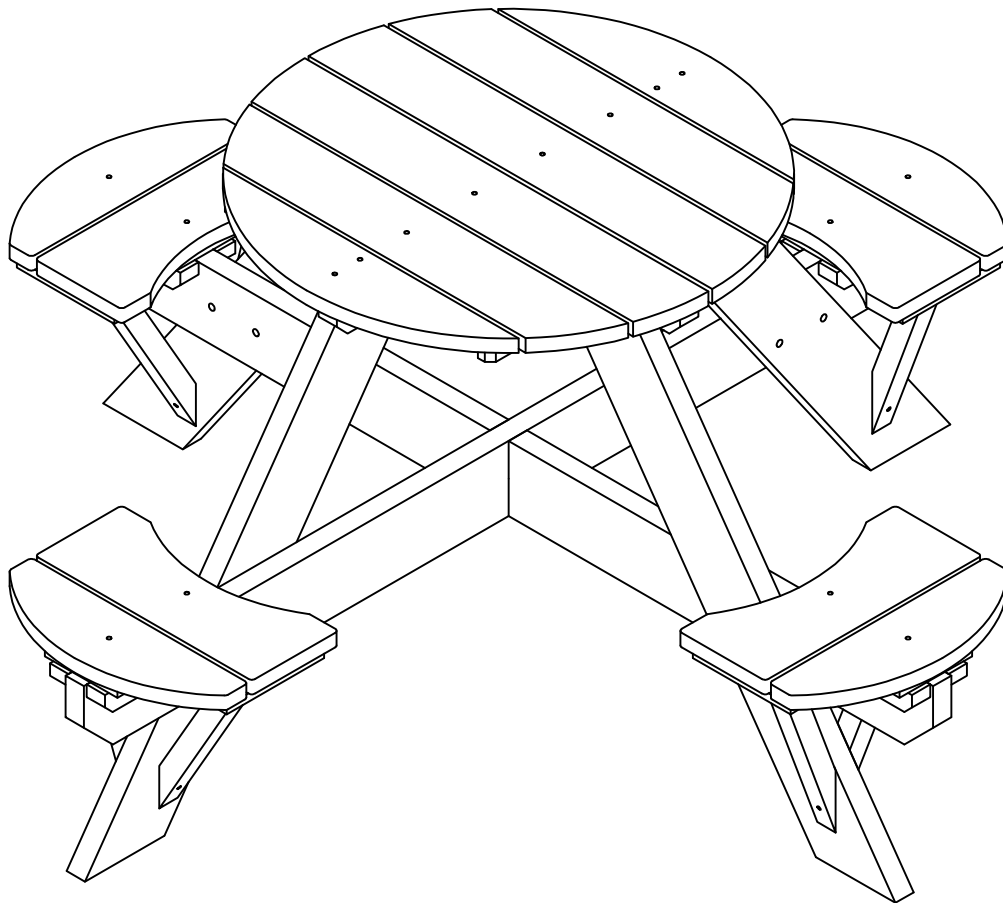




# Round Picnic Table Assembly Instruction



Model: MA7605



Creative Cedar Designs Inc.  
[www.creativecedardesigns.com](http://www.creativecedardesigns.com)  
Customer Service:

Please Log onto our websites at  
[www.creativecedardesigns.com](http://www.creativecedardesigns.com)  
and fill out a request for missing  
or damaged parts.

E-mail: [custservice@creativecedardesigns.com](mailto:custservice@creativecedardesigns.com)  
Hot Line: 1-888-363-4967 (toll free)



**WARNING: CHOKING HAZARD**

Unassembled parts may be a choking hazard to children 3 years and younger.



**CAUTION: Adult Assembly Required.**

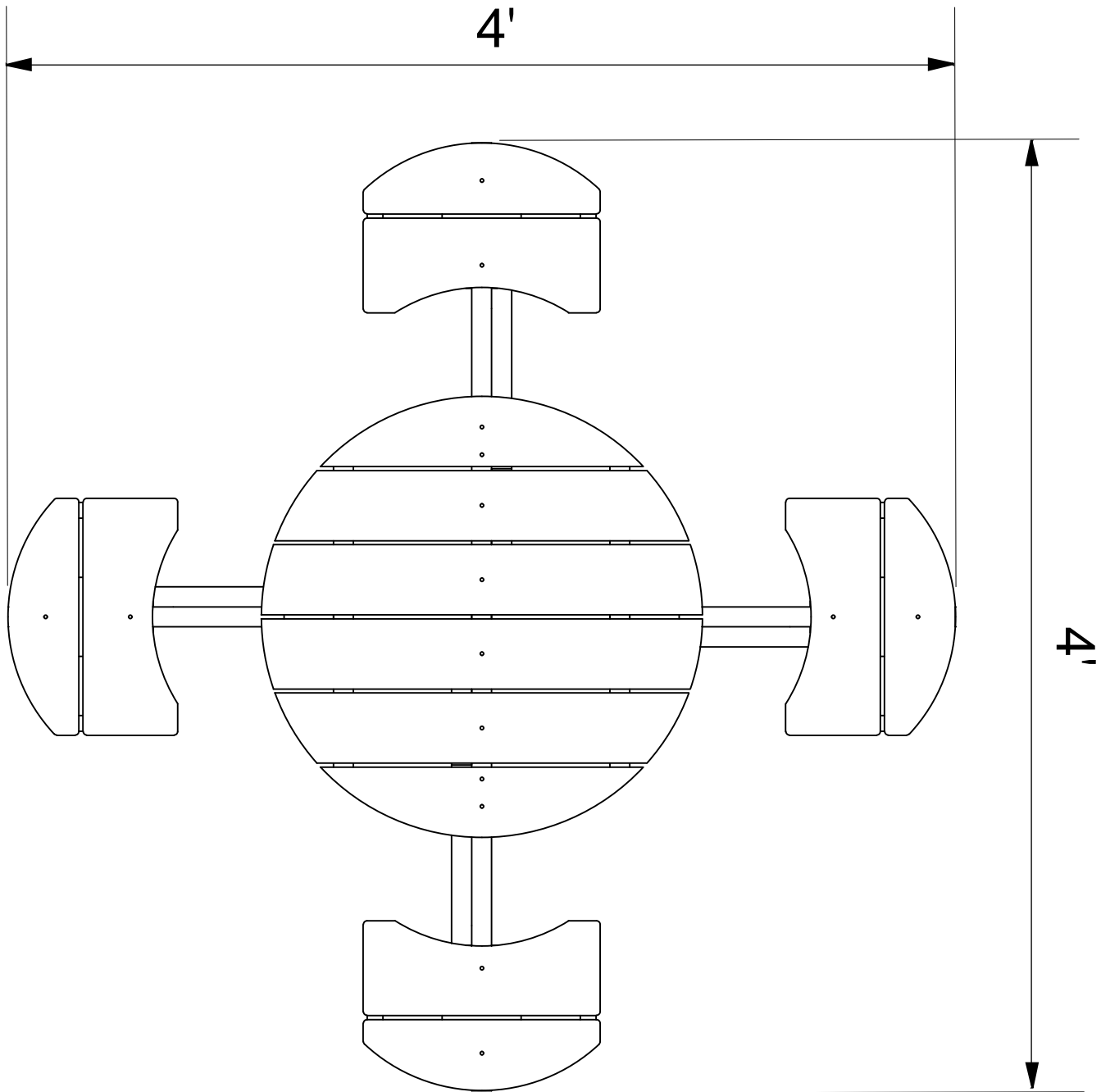
Hardware contains small pieces with sharp points. Keep parts out of the reach of children until assembled. Parts of this product can present dangers if improperly assembled.



**CAUTION: The plastic bags that contain**

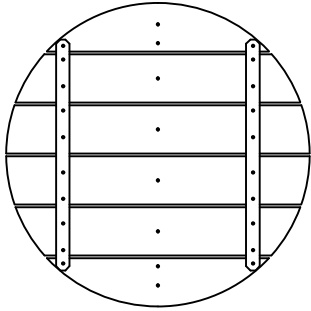
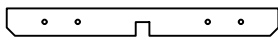
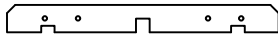
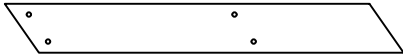



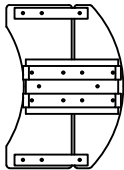
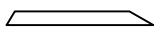
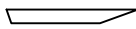
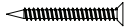
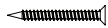


the hardware may present a choking hazard to small children. Please keep all plastic bags out of the reach of children. Do not allow children to play with them and dispose of them immediately when empty.

# Basic Setup Dimensions

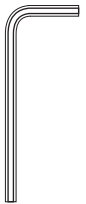
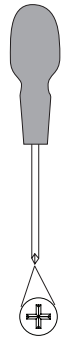


HEIGHT=1'-10 1/2"

# PARTS LIST

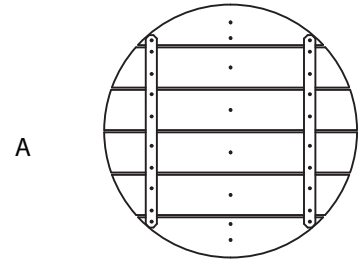
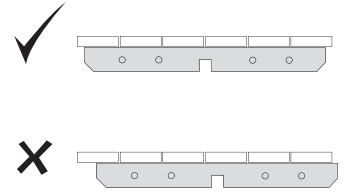
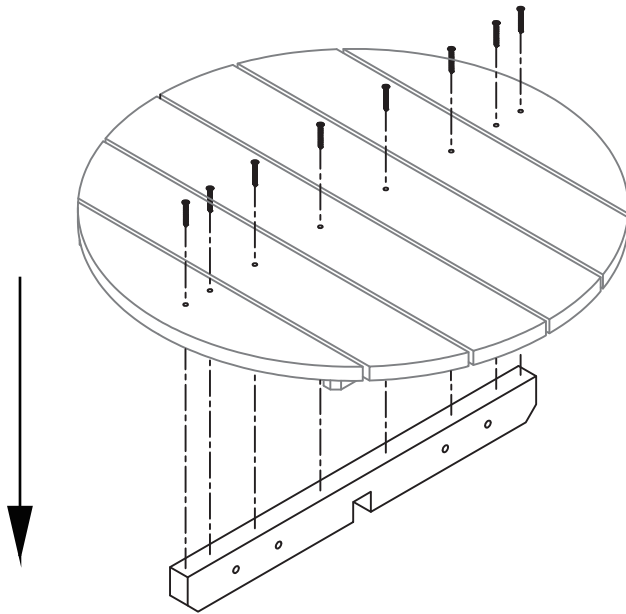
PART ID	GRAPHIC	QUANTITY
	Table Top	
A		x1
B	Table Brace 	x1
C	Table Brace 	x1
D	Base Leg 	x2
E	Base Leg 	x2
F	Table and Seat Cross Beam 	x1
G	Table and Seat Cross Beam 	x1
	Seat	
H		x4
I	Seat Support 	x4
J		x4
K		x1
L		x17
M		x16
N		x16

## TOOLS REQUIRED:

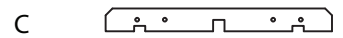
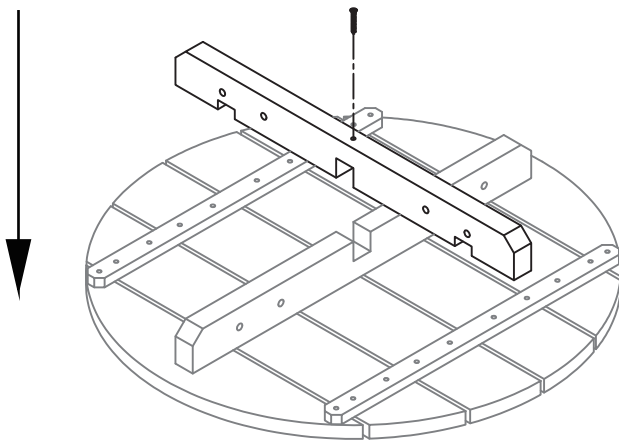


M4 Allen Key

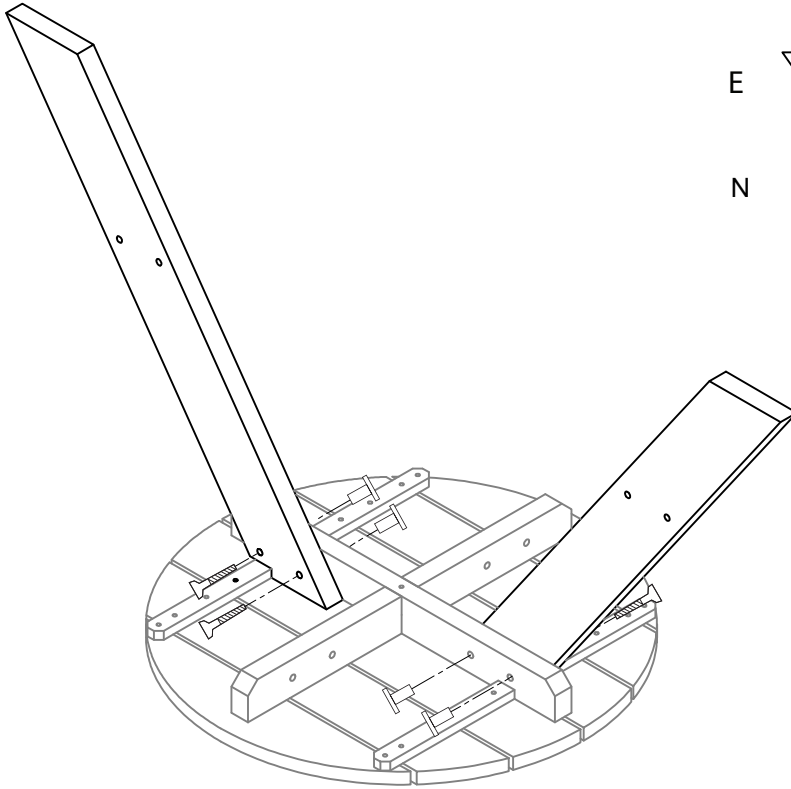
# STEP 1

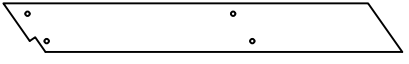


# STEP 2



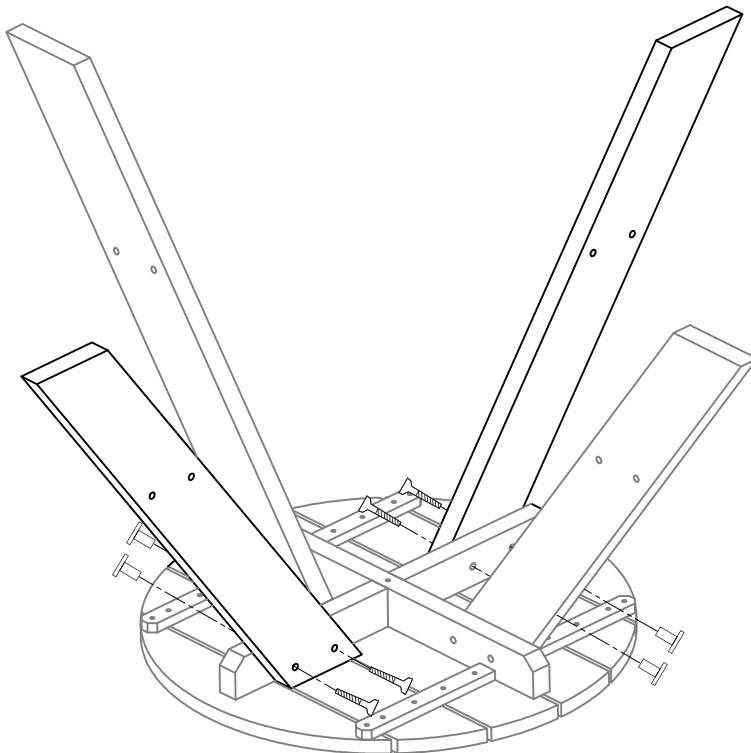
### STEP 3

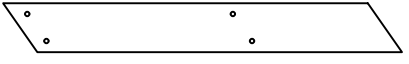


E  x2

N  x4

### STEP 4



D  x2

N  x4

# STEP 5

F  x1

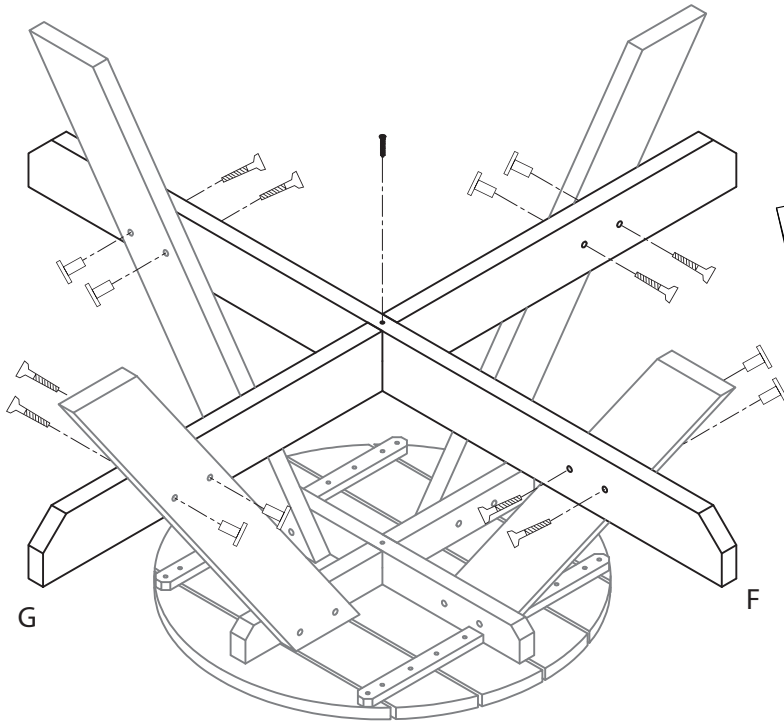
G  x1

K  x1

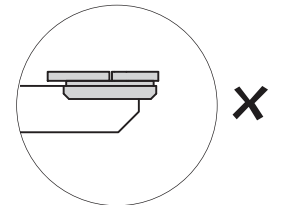
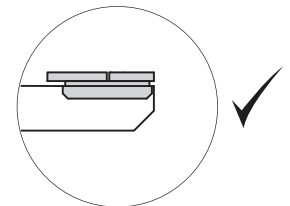
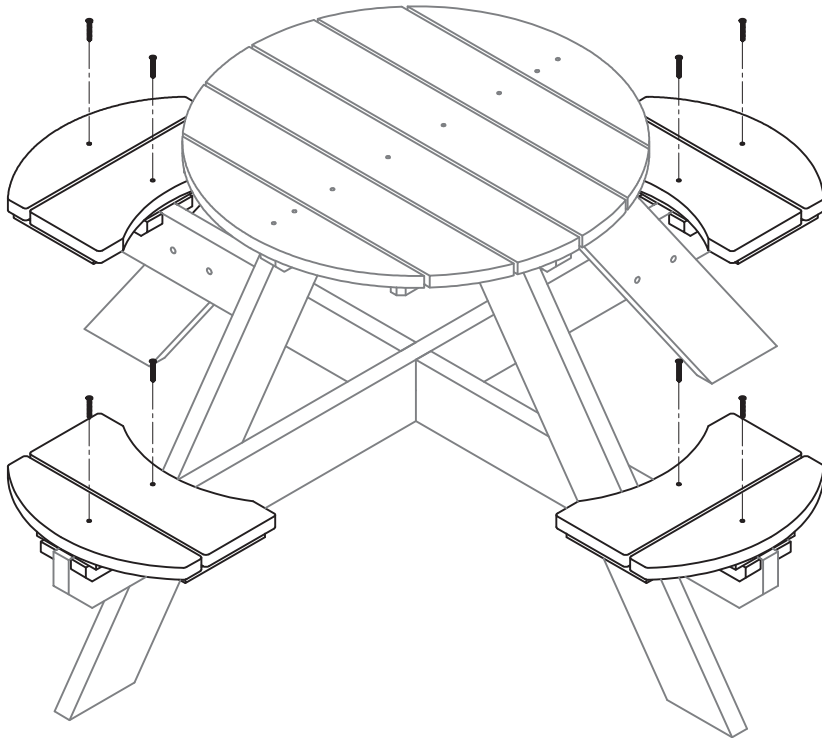
N   x8

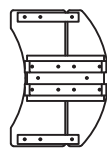


Place all Leg boards to the right of Board F and G.



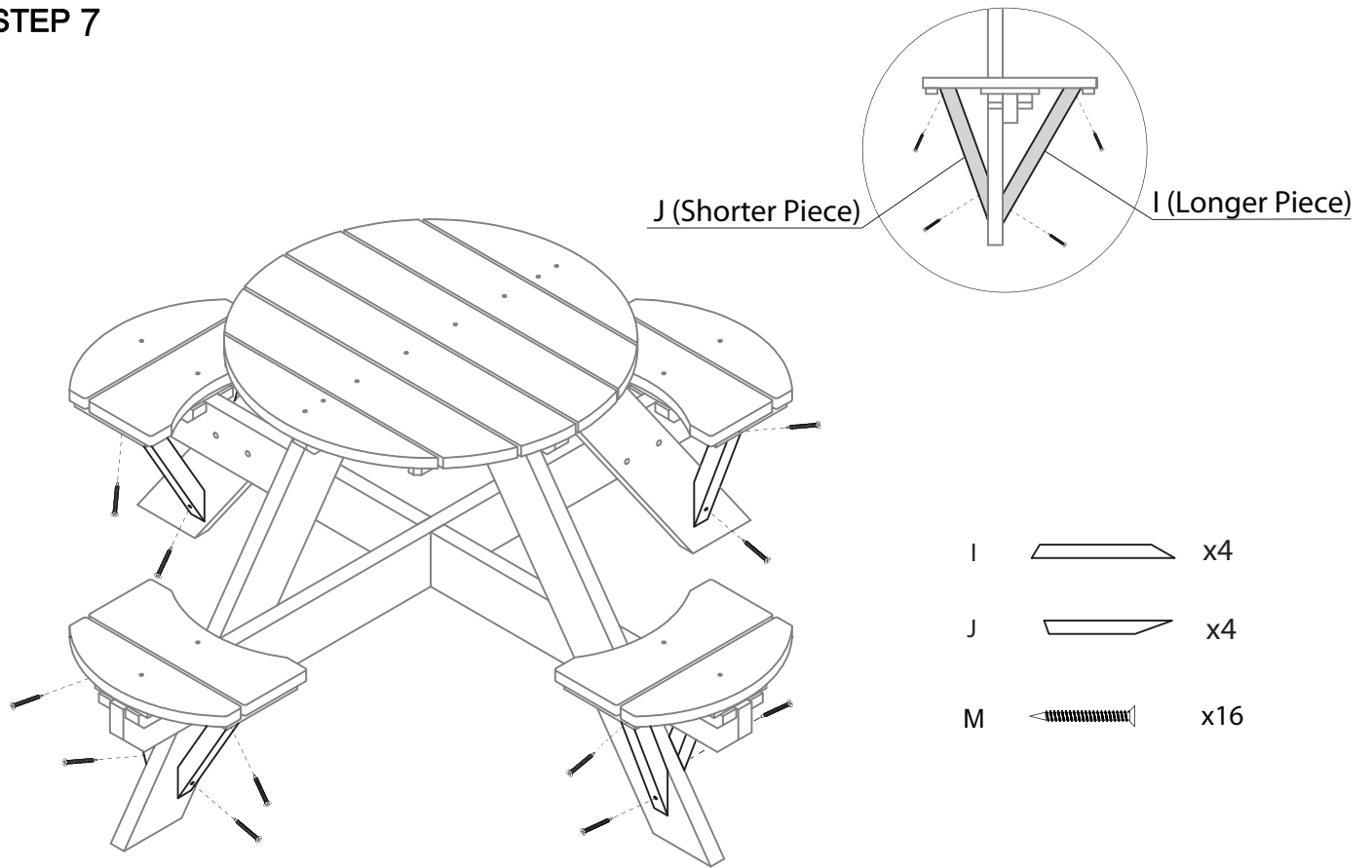
# STEP 6



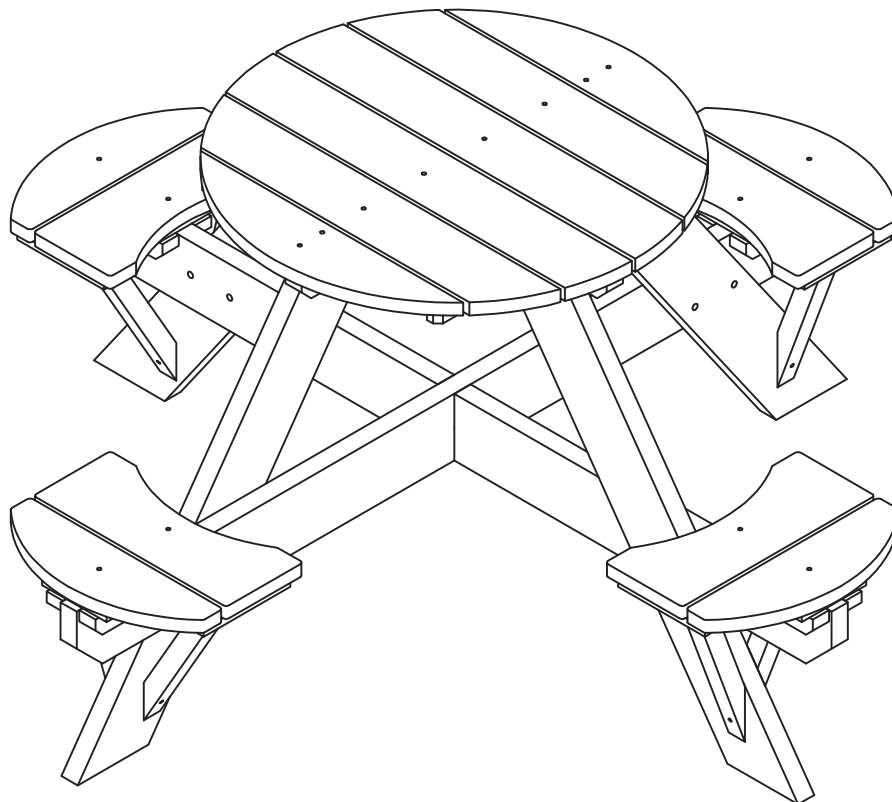
H  x4

L  x8

# STEP 7



# STEP 8



## LIMITED WARRANTY

Creative Cedar Design (CCD) offers many fun, interactive, and safe play sets. We only guarantee the original purchaser that this product is free of defects for 30 days from the date of purchase. The product registration card, along with a dated purchase receipt, must be returned to CCD within 30 days.

Within a 30 day period, CCD will repair or replace, at our option, defective merchandise free of charge, provided that the defective part is a manufacturer's defect and not seasonal check. CCD requires photographs of the part in question. The customer service center must be contacted for authorization for all warranty related service. After the 30 day period, the customer is responsible for all shipping and handling charges, even if the warranty claim has been approved. Depending on the size of the part, quantity of the order, availability of part at the time, the claim can take between 1-3 weeks.

Under this warranty there will be a replacement for the defective component of the play set. A 1-year Warranty is available on all components with a manufacturer's defect. A 10-year Limited Warranty is available on wood parts (4x6 and 4x4) against wood rotting and termite damage. This guarantee is effective only if the product is used for the purpose for which it was designed, maintained with accordance to the instructions, and installed at a residential, single family dwelling.

The warranty does not cover, (a) products which have been damaged by acts of God, negligence, misuse, or accident, or which have been modified or repaired by unauthorized persons; (b) the cost of labor; (c) the cost of shipping the product, any part, or any replacement product or part; (d) damage caused by the addition of any accessories not sold by CCD.

Cosmetic defects that do not affect the structural integrity of the product, or natural defects of wood such as warping, checking or any other physical properties of wood that do not present a safety hazard, are not covered by this warranty. Defects that develop because the product is exposed to extreme climate conditions are not covered by this warranty. Defects that develop as a result of faulty or improper installation of the product are also not covered by this warranty.

For warranty service or replacement part information, please visit our website at [www.creativecedardesigns.com](http://www.creativecedardesigns.com) and submit a request. If you have any additional questions, please call 1-888-FNF-GYMS (1-888-363-4967).

Replacement parts are available for purchase after the warranty expires. Please contact us by email at [custservice@creativecedardesigns.com](mailto:custservice@creativecedardesigns.com) for details.

Warranty: 1 Year for all Components	
Days from Date of Purchase	Cost to Customer
With in 30 days	No Cost
After 30 days , but within 1 year	Shipping and Handling (S&H)

Warranty: 10 Year Pro Rated for Wood Parts (4x4 and 4x6 ONLY against wood rot and termite damage)	
Years from Date of Purchase	Cost to Customer
0-1 (after first 30 days through Year 1)	Cost of S&H and 0% on part
2-3	Cost of S&H and 20% on part
4-5	Cost of S&H and 40% on part
6-7	Cost of S&H and 60% on part
8-9	Cost of S&H and 80% on part
Over 10	Cost of S&H and 100% on part



# **Warranty claim procedure**

If you are confident that your play system has been installed and maintained properly, and you have a warranty claim, proceed with the following steps:

1. We will need copy of your proof of purchase (Vendor sales receipt only.)
2. We require a brief written description of the warranty issue.
3. Photos of warranted parts and of the entire play system.

If **any** of the above steps are not completed, there may be delays in the completion of your claim, or possibly warranty cancellation.

Mail information to:  
Creative Cedar Designs  
P.O. Box 40225  
Glen Oaks, NY 11004

OR email at  
**[custservice@creativecedardesigns.com](mailto:custservice@creativecedardesigns.com)**

Our customer service department will review the claim and make contact with the customer by email or by phone.

**1-888-FNF-GYMS**  
**1-888-363-4967**

Dear Customer:

Thank you for purchasing a Fit N' Fun Playcenter. We hope it will bring you and your children many years of safe and enjoyable fun. Fit N' Fun equipment is recommended for use by **children 3 to 10 years of age**. Fit N' Fun structures are **not intended for public use. Fit N' Fun does not warranty any of its residential structures subjected to commercial use.**



**WARNING:** This Symbol points out important safety instructions which, if not followed, could endanger the personal safety of yourself and your children and/or damage your property. You **MUST** read and follow all instructions in this manual before attempting to use this playcenter.



**WARNING:** Children must **NOT** use this playcenter until unit has been completely assembled and inspected by an adult to insure set has been properly installed.

Please follow all recommendations below. **Failure to do so may result in the warranty being void and/or safety violations that could result in serious injury.** The following information has been provided to help you in your installation, continued satisfaction, and safe operation of your Fit N' Fun purchase.

Always keep the safety of your children in mind as your play structure is being built and as your children play on the set. Before your children play on the set, please review the Operation Instructions with them to help ensure their safety.

**PLEASE RETAIN THESE INSTRUCTIONS FOR FUTURE REFERENCE. KEEP THEM IN A SAFE PLACE WHERE YOU CAN REFER TO THEM AS NEEDED. IN ORDER TO PROVIDE YOU WITH THE MOST EFFICIENT SERVICE, IT IS REQUIRED THAT YOU PROVIDE US WITH THE PART NUMBERS WHEN ORDERING PARTS.**

Please do **NOT** return the playcenter to the retailer from which it was purchased, without first contacting Customer Service.

***General Information:***

*Please take time and fill out the information below. This information will be needed for warranty issues.*

**Date of Purchase:** \_\_\_\_\_ **Date stamped on box:** \_\_\_\_\_

**Manufacturer:** Creative Cedar Designs      **Vendor:** \_\_\_\_\_  
P.O. Box 40225 \_\_\_\_\_  
Glen Oaks, NY 11004 \_\_\_\_\_  
U.S.A

E-mail: [custservice@creativecedardesigns.com](mailto:custservice@creativecedardesigns.com)

Website: <http://www.creativecedardesigns.com>

**Unit Type:**

Unit Name: Round Picnic Table

Unit Model Number: 7605

Revision Date: 06/25/2012

## READ! VERY IMPORTANT!

If you are missing parts or have questions regarding the installation of our quality product PLEASE email or contact us directly. Our trained staff will be happy to assist you. Please do not return the product to the retail store.

**Customer Service Hours:  
Monday thru Friday 9am to 5pm**

**Eastern Standard Time**

E-mail: [custservice@creativecedardesigns.com](mailto:custservice@creativecedardesigns.com)

**Hot Line: 1-888-363-4967**

### ***Operating Instructions:***



**NOTE:** Your children's safety is our #1 concern. Observing the following statements and warnings reduces the likelihood of serious or fatal injury. Please review these safety rules regularly with your children.

1. This Playcenter is designed for the use of 4 occupants
2. On-site adult supervision is **required**.
3. Instruct children **not** to use the equipment in a manner other than intended.
4. The parents should have the children **dress appropriately** with well-fitting shoes. Loose clothing such as scarves and ponchos should not be worn. Always take off, tie up or tuck in cords and drawstrings on children's clothing. These things can get caught on playground equipment and strangle a child.
5. Instruct children to **never** crawl on top of a fort roof.
6. Instruct children **not** to attach items to the playground equipment that are not specifically designed for use with the equipment, such as, but not limited to, jump ropes, clothesline, pet leashes, cables and chain as they may cause a strangulation hazard.
7. Do not allow children to crawl through window openings.
8. Children should not sit on shelves.
9. All accessories are toys, not kitchenware. They are intended for pretend play use only.
10. Accessories are not oven, microwave, or dishwasher safe.

### **Maintenance Instructions**

1. Check all nuts and bolts twice monthly during the usage season and tighten as required. (But not so tight that you crack the wood) It is particularly important that this procedure be followed at the beginning of each season.
2. Inspect wood parts monthly. The grain of the wood sometimes will lift in the dry season causing splinters to appear. Light sanding may be necessary to maintain a safe playing environment. If you are treating your Playcenter with stain regularly, it will help prevent severe checking/splitting and other weather damage.
3. We have applied a waterborne transparent stain to your unit. This is done for color only. Once or twice a year, depending on your climate conditions, you must apply some type of protection (sealant) to the wood of your unit. Prior to the application of sealant, lightly sand any "rough" spots on your set. Please note this is a requirement of your warranty.
4. Creating and maintaining the Playcenter on a level location is very important. As your children play, your Playcenter will slowly dig its way into the soil, and it is very important that it settles evenly. Make sure the play set is level and true once each year or at the beginning of each play season.