

Retail Sell Sheet



Introducing the low cost, high value ball storage rack retailers have been asking for—exclusively from John Sterling.

The John Sterling™ Ball Rack™ holds seven full-size sports balls when fully assembled. It also provides two different installation options keeping balls up off the floor and out of the way.

- Assemble all three segments for a 5' tall solution
- Attach the rack in three separate segments low on the wall at a “child friendly” height

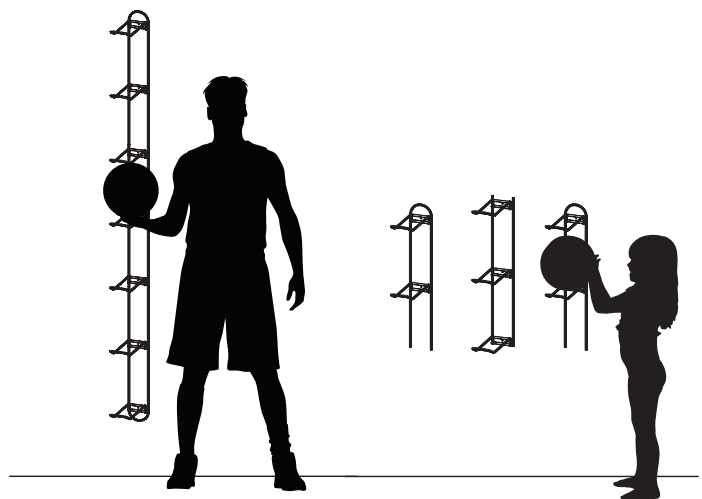
With a space-saving vertical design that fits almost anywhere, the John Sterling™ Ball Rack™ is perfect for mounting in those tall and narrow spaces that often go unused in a garage or basement.

Features

- Vertical, space saving design is like no other ball rack sold at retail.
- Offers retailers a low cost, high value price point.
- Eye-catching, full-color packaging is great for promotions.
- Compact 2-1/4" x 4" x 23" individual kit packaging is all-inclusive, easy to handle and convenient to merchandise.
- Display in or out of the provided master carton tray, whichever works best for your needs.



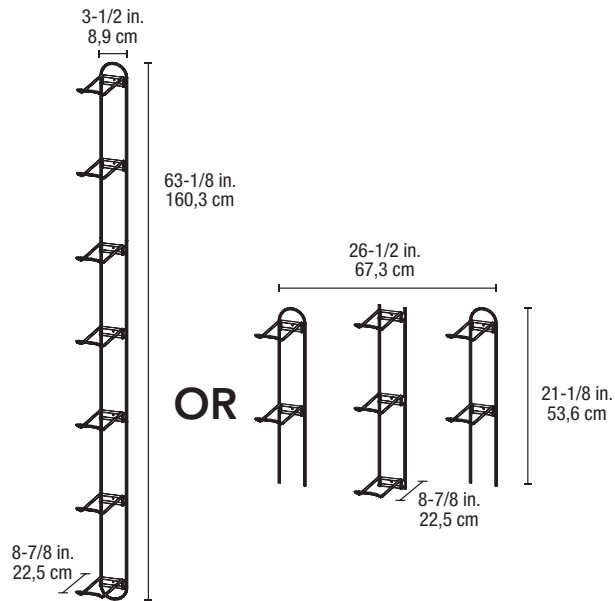
Two easy ways to install



Ball Rack™

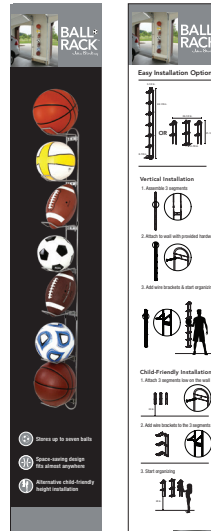


Installation Options



Package Features

- Compelling Graphics
- Instructions Included
- Easy to Merchandise



Front

Back

Item	Description	Finish	Unit Dimensions			Unit Pack Qty.	Unit Wt. (lbs.)	Master Carton Dimensions			Master Pack Qty.	Master Carton Wt. (lbs.)	UPC Code	SCM Code
			L	W	D			L	W	D				
John Sterling™														
Ball Rack														
0027-PM	Sports Ball Rack English	Platinum	23.0	4.0	2.25	1	5.05	5.375	9.375	24.125	4	20.75	029274388591	10029274388598
0027-PM/CAN	Sports Ball Rack English/French	Platinum	23.0	4.0	2.25	1	5.05	5.375	9.375	24.125	4	20.75	029274397579	10029274397576



KNAPE & VOGT

2700 Oak Industrial Dr. NE
 Grand Rapids, MI 49505-6026 USA
 1.800.253.1561 | 616.459.3311
 Fax: 877.636.3290
 www.kv.com

This and other KV literature is available for download at www.kv.com > Resource Library

Knap & Vogt reserves the right to change product specifications at any time without notice and without incurring responsibility for existing units.
 ©2015 Knap & Vogt. KV and the KV logo are trademarks of Knap & Vogt.