



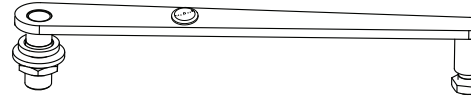
Two-Piece Toilet



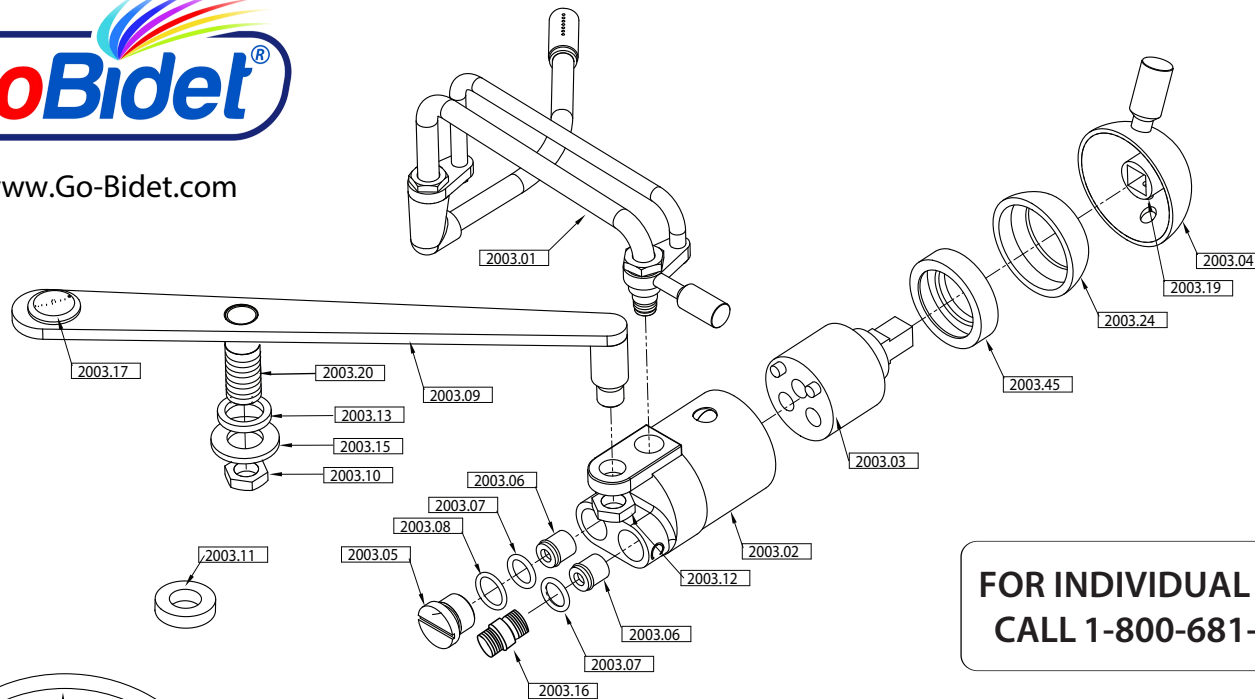
One-Piece Toilet

Mounting to one-piece toilets

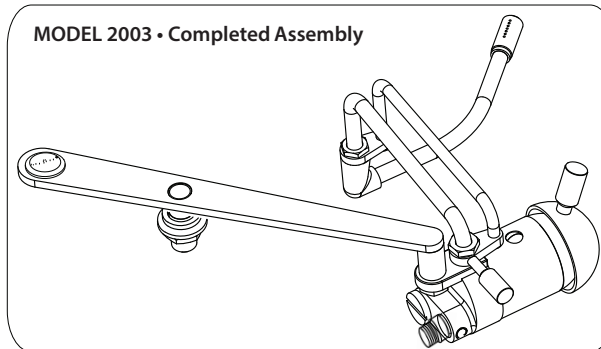
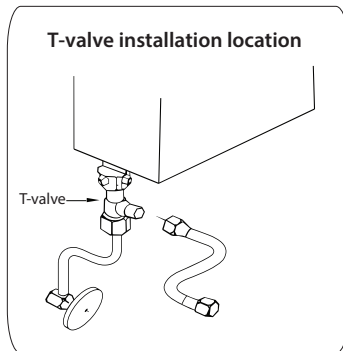
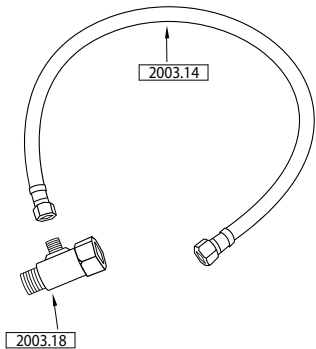
Swap location of plastic cap and threaded nut/bushing to position shown.



www.Go-Bidet.com



**FOR INDIVIDUAL PARTS
CALL 1-800-681-0753**



Parts Breakdown

- 2003.01 Complete Shower Assembly
- 2003.02 Bidet Body Casing
- 2003.03 Single Lever Ceramic Mixer Cartridge
- 2003.04 Water Control Assembly
- 2003.05 3/8" Plug
- 2003.06 10mm Flow Regulating Check Valve
- 2003.07 12mm Neoprene 'O' Rings
- 2003.08 14mm Neoprene 'O' Rings
- 2003.09 Bracket w/ Bushing, Nut, & Washer
- 2003.10 Chrome Nut, Large
- 2003.11 One Inch Plastic Spacer
- 2003.12 Chrome Nut, Small
- 2003.13 Rubber Washer
- 2003.14 3/8" Stainless Steel Hose
- 2003.15 Plastic Washer
- 2003.16 3/8" Chrome Plated Nipple
- 2003.17 Plastic Beauty Cap
- 2003.18 1-7/8" T-valve
- 2003.19 Handle Set Screw
- 2003.20 Threaded Bushing
- 2003.24 Nut Cover Ring
- 2003.45 Brass Retainer Nut