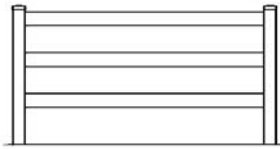


Step 3. Continued

Ranch Rail



- Install Rails clips:** Insert supplied rail clips (Fig. 6) into both ends of the rails before inserting rails into posts. If trimming rails is required, drill a 1/2" hole at cut ends to accept the rail clip. (Fig. 6)
- Install Rails:** Insert bottom rail into routed post, left side first, as far as it will go, then slide right side of rail into the other post, fully engaging the clip. Work your way up, repeating this step, until all rails in each section are installed.

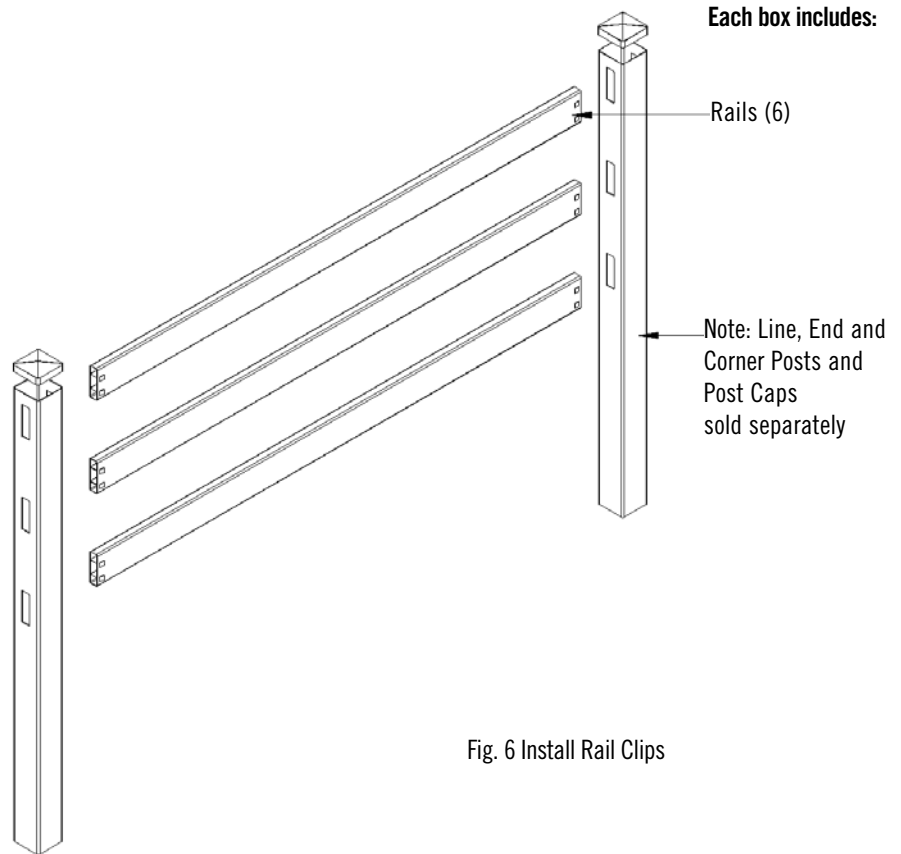


Fig. 6 Install Rail Clips

2-Rail Design

If a 2-Rail design is desired, cut the top 16" from the posts (2" above middle hole), keeping the caps for reuse. Follow steps a and b from above.



Step 4. Reinforce gate posts

- Install hinges and latch prior to setting posts and pouring concrete. Reinforce hinge and latch posts with two 6' pieces of #4 rebar (Fig. 7).
- Tape off ends of rails that will be joining the gate posts – this will prevent concrete from filling rails. Set posts and pour concrete as per Step 2.
- Pour concrete into posts, tamping occasionally to remove air pockets.
- Follow the gate installation instructions included with your gate kit.

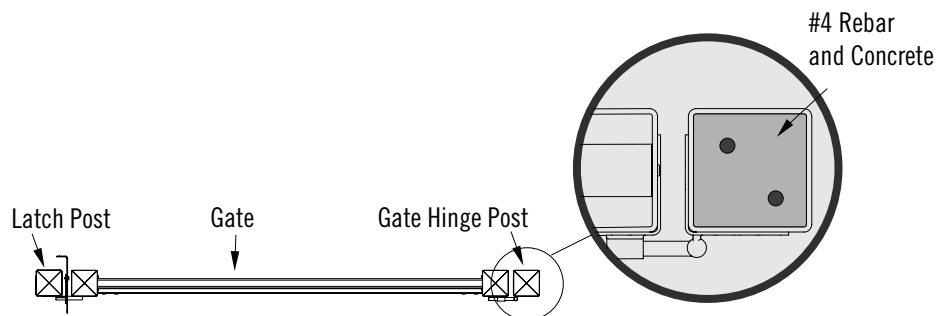


Fig. 7 Reinforced Gate Posts

Step 5. Attach the post caps

- Glue caps onto the posts with a UV-rated, "hot glue" classified PVC adhesive.

Step 6. Clean up

- Clean off cement splatter with mild detergent and non-abrasive cloth, then hose down with clean water.