

## FFEW2426U S/W/B

SINGLE WALL OVEN  
24" ELECTRIC



### AVAILABLE COLORS



Stainless



White



Black

### PRODUCT DIMENSIONS

Height	31-7/16"
Width	23-7/8"
Depth	25-3/16"

### MORE EASY-TO-USE FEATURES

#### Auto Shut-Off

As an extra safety measure, the oven will automatically shut off after 12 hours.

#### Built with American Pride

Designed, engineered and assembled in the U.S.A.

### CERTIFICATIONS

#### A.D.A. - Compliant

When properly installed, this model is A.D.A.-qualified based on the United States Access Board's A.D.A./A.B.A. Accessibility Guidelines and the Department of Justice's 2010 A.D.A. Standards for Accessible Design.



## SIGNATURE FEATURES

### Quick Clean

Quickly clean your oven in 2 hours with our quick self-clean cycle.

### Vari-Broil™ Temperature Control

Vari-Broil™ allows you to choose between two heat levels.

### Easy-to-Use Ready-Select® Controls

Easily select options or control cooking temperature with our easy-to-use controls.

### Oven Rack Handles

Oven racks are designed with space for you to easily pull out the racks, even when wearing an oven mitt.

# FFEW2426U S/W/B SINGLE WALL OVEN

24" ELECTRIC

FRIGIDAIRE

## FEATURES

Oven Control/Timing System	Ready-Select®
Window	Large
Exterior Door Finish	Stainless Steel (S), Color-Coordinated (W/B)
Handle Design	Stainless Steel (S), Color-Coordinated (W/B)
Oven Cleaning System	Self Clean

## OVEN CONTROLS

Bake/Broil	Yes/Variable (Hi - Lo)
Delay Start	Yes
Self-Clean/Clean Options	Yes/2, 3 Hours
Delay Clean	Yes
Kitchen Timer	Yes
Timed Cook Option	Yes
Control Lock	Yes
Auto Oven Shut-Off	Yes
Oven Lock-Out	Yes

## OVEN FEATURES

Capacity (Cu.Ft.)	3.3
Oven Light	1 Halogen
Rack Configuration	2 Standard
Broiling System	Variable (Hi - Lo)
Bake/Broil Element (Watts)	2,100/3,400

## OPTIONAL ACCESSORIES

10'-Long Armored Power Cable	PN# 903056-9010
------------------------------	-----------------

## CERTIFICATIONS

A.D.A. Compliant <sup>1</sup>	Yes
-------------------------------	-----

## SPECIFICATIONS

Oven Interior (H x W x D)	17" x 17-3/4" x 18-3/4"
Power Supply Connection Location	Left Bottom Rear
Voltage Rating	240V / 208V / 60Hz
Connected Load (kW Rating) @ 240/208 Volts <sup>2</sup>	3.7/2.8
Amps @ 240/208 Volts	15.4/13.5
Minimum Circuit Required (Amps)	20
Shipping Weight (Approx.)	115 Lbs.

<sup>1</sup>When properly installed, this model is A.D.A.-qualified based on the United States Access Board's A.D.A./A.B.A. Accessibility Guidelines and the Department of Justice's 2010 A.D.A. Standards for Accessible Design.

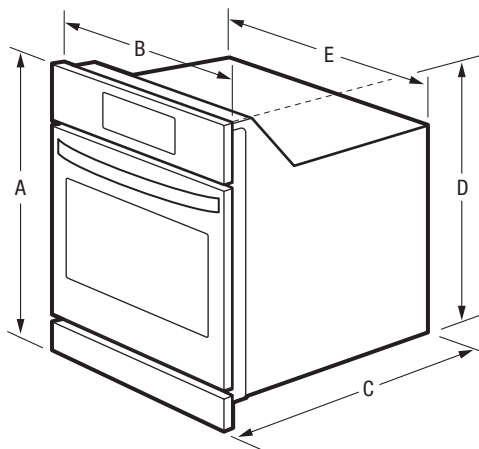
<sup>2</sup>Single phase 3- or 4-wire cable, 120/240 or 120/208 Volt, 60 Hertz AC only electrical supply with ground required on separate circuit fused on both sides of line.

## PRODUCT DIMENSIONS

A - Height	31-7/16"
B - Width	23-7/8"
C - Depth	25-3/16"
D - Wrapper Height (Min. - Max.)	27-1/2" - 29-1/8"
E - Wrapper Width	21-3/4"
Depth with Door Open 90°	46-3/16"

## CUTOUT DIMENSIONS

Height (Min.)	27-5/8"
Height (Max.)	28"
Width (Min.)	22"
Width (Max.)	22-1/2"
Depth (Min.)	23-1/2"



**Note:** For planning purposes only. Always consult local and national electric, gas and plumbing codes. Refer to Product Installation Guide for detailed installation instructions on the web at [frigidaire.com](http://frigidaire.com).

Specifications subject to change. Accessories information available on the web at [frigidaire.com](http://frigidaire.com)

FRIGIDAIRE

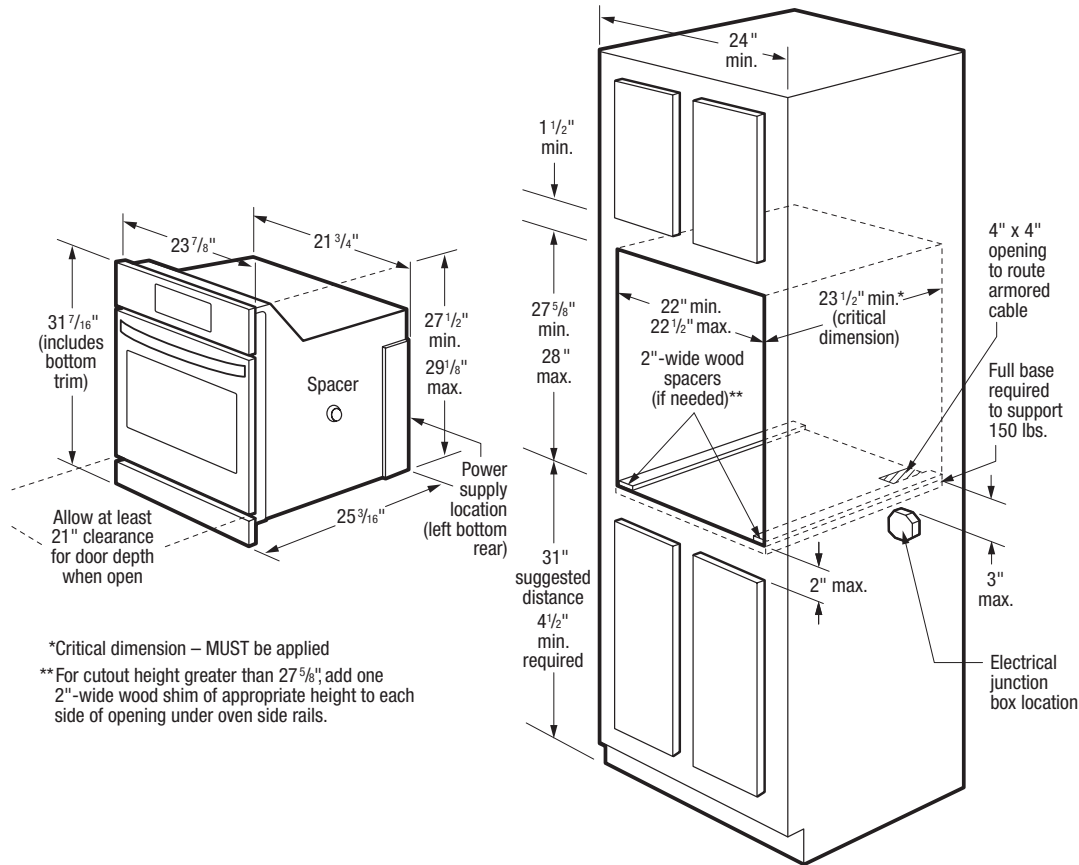
USA • 10200 David Taylor Drive • Charlotte, NC 28262 • 1-800-FRIGIDAIRE • [frigidaire.com](http://frigidaire.com)  
CANADA • 5855 Terry Fox Way • Mississauga, ON L5V 3E4 • 1-800-265-8352 • [frigidaire.ca](http://frigidaire.ca)

FFEW2426U 05/18  
© 2018 Electrolux Home Products, Inc.

# FFEW2426U S/W/B SINGLE WALL OVEN

24" ELECTRIC

FRIGIDAIRE



## INSTALLATION SPECIFICATIONS

- Product Shipping Weight (approx.) – 115 Lbs.
- Single phase 3- or 4-wire cable, 120/240 or 120/208 Volt, 60 Hertz AC only electrical supply with ground required on separate circuit fused on both sides of line.
- Connected Load (kW Rating) @ 240/208 Volts = 3.7/2.8kW
- Amps @ 240/208 Volts = 15.4/13.5 Amps
- Recommended Circuit Breaker – 20 Amps
- Always consult local and national electric codes.
- Minimum 21" clearance for oven door depth when open.
- Minimum required distance from floor is 4-1/2", recommended distance is 31".
- Minimum 24" deep cutout dimension is critical for proper installation, to ensure that oven's faceplate will fit flush against cabinet front.
- To adapt oven to fit cutout height greater than 27-5/8", add one 2"-wide wood shim of appropriate height to each side of opening under oven side rails. Lifting oven will hide larger cutout opening at top and oven's bottom trim will hide shims at bottom.

- Full oven base of solid plywood or similar material required, capable of supporting 150 Lbs.
- Base must be level and cabinet front must be square.
- Single Wall Oven is NOT approved to be used in stackable or side-by-side installation.
- Single Wall Oven is approved to be used in under-counter installation.
- Single Wall Oven is NOT approved to be used in under-cooktop installation.

### OPTIONAL ACCESSORIES

- 10'-Long Armored Power Cable – (PN# 903056-9010).



FRIGIDAIRE

USA • 10200 David Taylor Drive • Charlotte, NC 28262 • 1-800-FRIGIDAIRE • frigidare.com  
 CANADA • 5855 Terry Fox Way • Mississauga, ON L5V 3E4 • 1-800-265-8352 • frigidare.ca

*Note: For planning purposes only. Always consult local and national electric, gas and plumbing codes. Refer to Product Installation Guide for detailed installation instructions on the web at frigidare.com.*

*Specifications subject to change. Accessories information available on the web at frigidare.com*

FFEW2426U 05/18

© 2018 Electrolux Home Products, Inc.