

Outdoor Classics Bronze Crossweave Firebowl Fire Pit

ASSEMBLY INSTRUCTIONS SHEET

Model No. 610037D

Prior to assembly, make sure all parts are present. Compare parts with package contents list and diagram above. If any part is missing or damaged, do not attempt to assemble the product. Contact customer service for replacement parts.

Part list:

NO.	Parts	Qty.
A	Handle of Fire Screen	1
B	Fire Screen	1
C	1/4 Top Ring	4
D	Fire Bowl	1
E	Bracket	4
F	Grate	1
G	Legs	3
Y	Rain Cover	1

NO.	Hardware	Qty.
T	Bolt(1/4"x5/8")	10
U	Washer	5
V	Nut	5
X	Alan Wrench	1
Z	Poker	1

WARNING:

FOR OUTDOOR USE ONLY! NEVER LEAVE FIRE UNATTENDED!

Supervise children and pets when the fire pit is in use.

DO NOT use this unit on a wood deck or on combustible surface such as dry grass,leaves,mulch,etc,and place it no closer than 2 feet (60 cm) from walls during use.

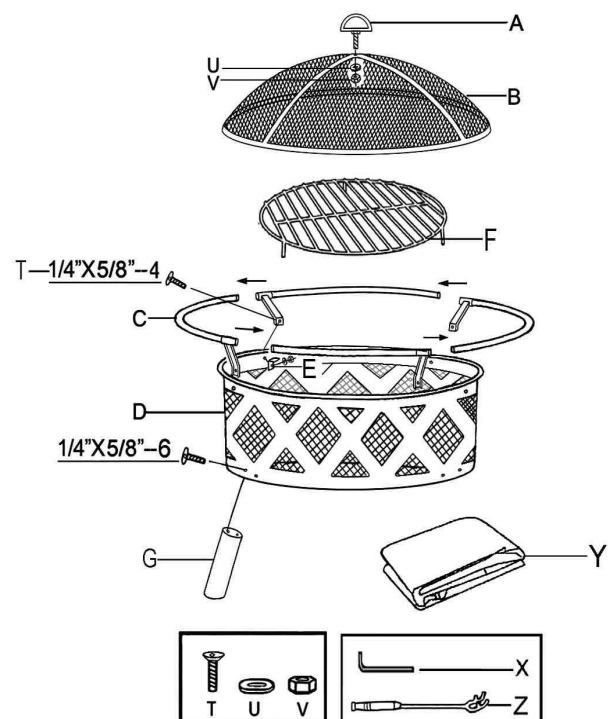
CAUTIONS:

1. Burn only wood or charcoal in the fire pit. DO NOT use gasoline or kerosene to start the fire in your fire pit. Light the fire using a match or lighter.
2. **Do not** touch the outside of your fire pit while it is in use.
3. Use the poker to move the handle of the fire screen during use.
4. Always have a fire extinguisher handy when burning.
5. **Do not** extinguish your fire pit with water. The water may cause distortion, rusty or flaking paint. Use fire extinguisher or allow attended fire to die out on its own.
6. **Do not** use in inclement weather.

Assembly Instructions:

Tools required:Alan Wrench(X) included.

1. Assemble 3 x Legs (G) to Fire Bowl (D) with the 6 Bolts (T).
2. Assemble 1 x 1/4 Top Ring(C) to Fire Bowl(D) with 1xBolt(T) 1x Bracket (E),1xWasher (U) and 1x Nut(V) slightly, Don't tighten.
3. Connect the second 1/4 Top Ring(C) and the hole of the assembled 1/4 Top Ring (C), then assemble the second 1/4 top ring (C) to Fire Bowl (D) with 1x Bolt (T) and 1xBracket(E) 1xWasher (U) and 1x Nut(V) slightly, don't tighten.
4. Repeat Step 3 to assembly the rest 1/4 Top Rings (C) to Fire bowl(D).
Adjust the bracket horizontal, then tighten all the bolt:
5. Put the Grate (F) into bottom of Fire Bowl(D)
6. Assemble handle of Fire Screen (A) to the Fire Screen (B) with 1washer(U) and 1 nut(V). then put the Fire Screen (B) on the Brackets
7. When not in use, please cover Rain cover(Y) on the whole fire pit.



Care And Maintenance:

1. To extend the life of your fire pit, clean the bowl after each use and cover the unit to protect it from the elements.
2. To maintain the coating color, cover the bottom of the fire bowl with small stones or sandstones before each use.
3. To maintain the finish, clean the surface by using a soft cloth. Do not use a metal brush.
4. If metal is scratched, the fire pit may need touch up painting. Ask your local paint store representative which paint is best for your type of fire pit. To prevent rusting, coat the exposed surface immediately.
5. Although fire pits in general do well in adverse weather conditions, store it in an enclosed structure during the off-season.