



Preguntas, problemas, o piezas faltantes? Antes de regresar a la tienda, llama al Servicio al Cliente de Husky de lunes a viernes entre 8 a.m. y 6 p.m., (hora del Este de EE. UU.)

1-888-HD-HUSKY

HUSKYTOOLS.COM

Conserva este manual para uso en el futuro  
REF.# IMDP2118G-E/S-V1 02/19



Model # DP2118G

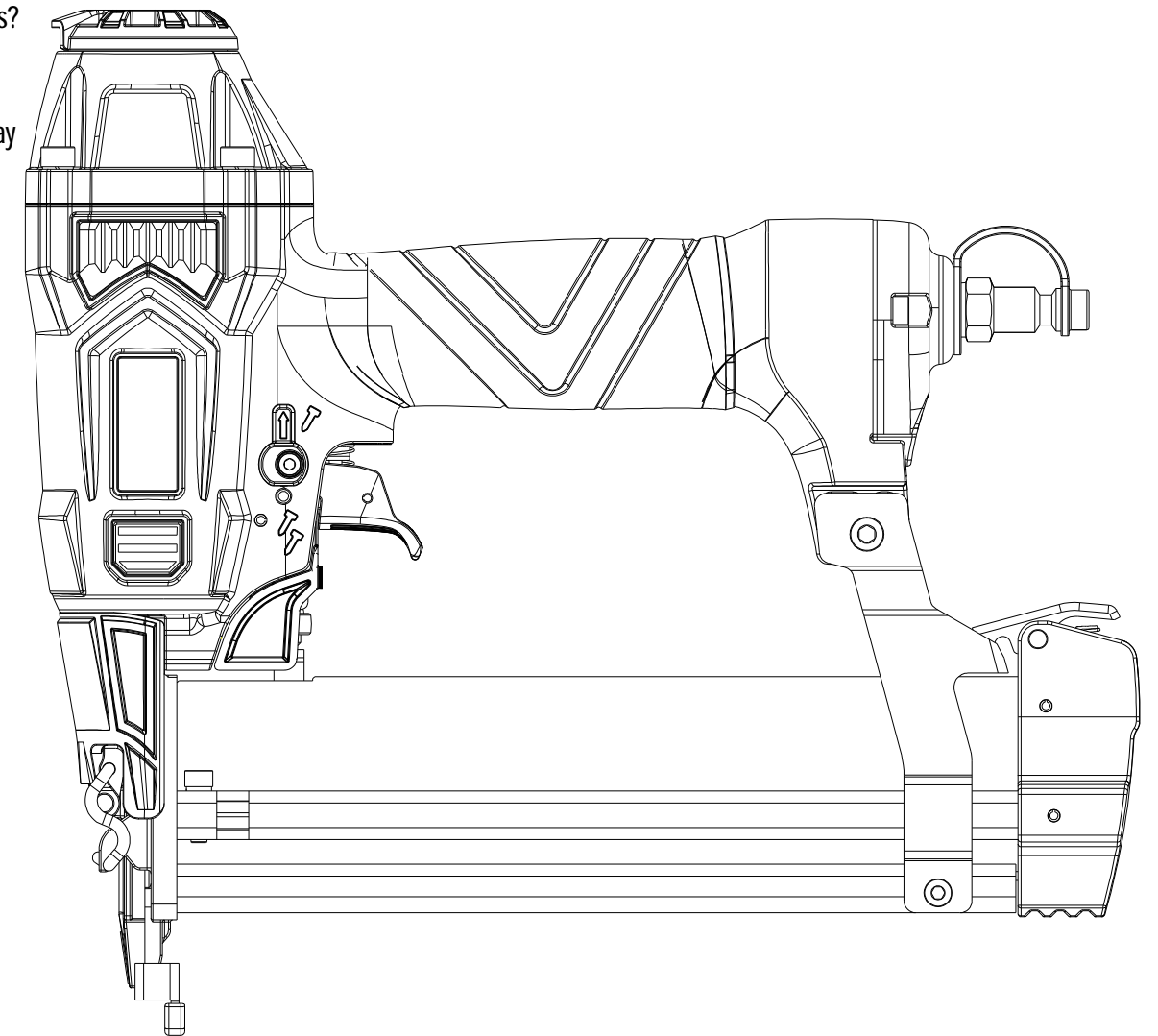
## USE AND CARE GUIDE

### 18 GAUGE 2-IN-1 BRAD NAILER/STAPLER

Question, Problems, Missing Parts?  
Before returning to the store, call  
Husky Customer Service  
8 a.m. - 6 p.m, EST, Monday- Friday

1-888-HD-HUSKY

HUSKYTOOLS.COM



THANK YOU

*We appreciate the trust and confidence you have placed in Husky through the purchase of this pneumatic nailer .  
We strive to continually create quality products designated to enhance your home. Visit us online to see our full line of products available for  
your home improvement needs. Thanks you for choosing Husky!*

# Table of Contents

Table of Contents	2
Safety Information	3
Symbols	3
Work area safety	3
Personal safety	3
Tool use and care	4
Tool service	5
Air source	5
Operation	5
Air supply and connections	6
Loading tool	6
Warranty	7
Unpacking	7
Specifications	8
Features	8
Operation	9
Adjusting the exhaust	9
Loading fasteners	9
Unloading fasteners	10
Clearing jams	10
Non-marring pad	11
Setting the air pressure	11
Depth adjustment	11
Firing the tool	12
Maintenance	13
Anti-dust cap	13
Lubrication	13
Cleaning	14
Cold weather operation	14
Recommended Hookup	14
Troubleshooting	15

# Safety Information



**WARNING:** To avoid serious personal injury, do not attempt to use this product until you read the manual thoroughly and understand it completely. Save this manual and review frequently for continuing safe operation and instructing others who may use this tool.



**WARNING:** When using tools, basic precautions should always be followed, including the followings.

## SYMBOLS



**Read operator's manual:** To reduce the risk of injury, user must read and understand operator's manual before using this product.



**Risk to hearing:** Always wear ear protection when using this tool. Failure to do so may result in hearing loss.



**Eye protection:** Always wear safety goggles, safety glasses with side shields, or a full face shield when operating this product.



**Risk of serious personal injury:** Never place hands or any other body parts in the fastener discharge area of the nailer, the tool might eject a fastener and could result in death or serious personal injury.

## WORK AREA SAFETY

1. Keep the work area clean and well lit. Cluttered benches and dark areas increase the risks of accidents.
2. Do not operate the tool in explosive atmospheres, such as in the presence of flammable liquids, gases, or dust. The tool creates a spark which may ignite flammable liquids, gases or dust.
3. Keep bystanders, children, and others away while operating the tool. Distractions could result in improper use and cause injury.
4. Avoid unintentional misfires. Always use caution to avoid accidentally firing. Do not point towards yourself or anyone whether it contains fasteners or not.

## PERSONAL SAFETY



**WARNING:** Instructions pertaining to a risk of fire, electric shock, or injury to persons.



**WARNING:** This product can expose you to chemicals including lead, which is known to the State of California to cause cancer and birth defects or other reproductive harm. For more information, go to [www.P65Warnings.ca.gov](http://www.P65Warnings.ca.gov).

1. Do not nail on top of another nail. This is able to cause the nail to be deflected and hit someone, or cause the tool to react and result in a risk of injury to persons.
2. Remove finger from the trigger when not driving fasteners. Never carry the tool with finger on trigger, the tool is able to fire a fastener.
3. Always wear eye protection. Operator and others in the work area should always wear ANSI-approved safety goggles with side shields. Eye protection is used to guard against flying fasteners and debris, which may cause severe eye injury.
4. Always wear hearing protection when using the tool. Prolonged exposure to high intensity noise may cause hearing loss.
5. Use safety equipment. A dust mask, non-skid safety shoes and a hard hat must be used for the applicable conditions. Wear a full face shield if you are producing metal filings or wood chips.
6. Dress properly. Do not wear loose clothing or jewelry. Contain long hair. Keep your hair, clothing, and gloves away from moving parts. Loose clothes, jewelry, or long hair can be caught in moving parts.
7. Stay alert, watch what you are doing and use common sense when operating a power tool. Do not use tool while tired or under the influence of drugs, alcohol, or medication. A moment of inattention while operating the tool may cause serious injury.
8. Avoid unintentional firing. Keep fingers away from trigger when not driving fasteners, especially when connecting the tool to the air supply.
9. Keep proper footing and balance at all times. Proper footing and balance enables better control of the tool in unexpected situations.
10. Do not use on a ladder or unstable supports. Stable footing on a solid surface enables better control of the tool in unexpected situations.
11. Make sure the hose is free of obstructions or snags. Entangled or snarled hoses can cause loss of balance or footing and may become damaged, resulting in possible injury.

## Safety Information(Continued)

### PERSONAL SAFETY(CONTINUED)

12. Do not overreach. Keep proper footing and balance at all times. Proper footing and balance enables better control of the tool in unexpected situations.
13. Do not attach the hose or tool to your body. Attach the hose to the structure to reduce the risk of loss of balance if the hose shifts.
14. Always assume that the tool contains fasteners. Do not point the tool toward yourself or anyone whether it contains fasteners or not.
15. Wash hands after handling. This product or its power cord may contain chemicals known to the State of California to cause cancer and birth defects or other reproductive harm.

### TOOL USE AND CARE



**WARNING:** Disconnect the tool from the air source before making adjustments, doing tool maintenance, clearing jams, touching the safety yoke, leaving work area, or unloading the tool. Such precautionary measures reduce the risk of injury to persons.

1. Know this tool. Read manual carefully, learn its applications and limitations, as well as the specific potential hazards related to this tool.
2. Use only fasteners that are recommended for your models. Do not use the wrong fasteners or load the fasteners incorrectly.
3. Use only accessories that are identified by the manufacturer for the specific tool model. Use of unauthorized parts or failure to follow maintenance instructions may create a risk of injury.
4. Use only those fasteners recommended for use with this tool. Fasteners not identified for use with this tool by the tool manufacturer are able to result in a risk of injury to persons or tool damage when used in this tool.
5. Check for misalignment or binding of moving parts, breakage of parts, and any other condition that may affect the tool's operation. If damaged, have the tool serviced before using. Many accidents are caused by poorly maintained tools.
6. Maintain tools with care. Keep tool clean. A properly maintained tool, reduces the risk of binding and is easier to control.
7. Store tools out of the reach of children and other untrained people. Tools are dangerous in the hands of untrained users.

8. Check operation of the tool before use. Do not use the tool if the workpiece contact mechanism is not working correctly as accidental driving of a fastener may occur.
9. Do not use tool if trigger does not actuate properly. Any tool that cannot be controlled with the trigger is dangerous and must be repaired.
10. Do not force tool. Use the correct tool for your application. The correct tool will do the job better and safer at the rate for which it is designed.
11. Use clamps or another practical way to secure and support the workpiece to a stable platform. Holding a tool by hand or against the body is unstable and may lead to loss of control.
12. Keep the tool and its handle dry, clean and free from oil and grease. Always use a clean cloth when cleaning. Never use brake fluids, gasoline, petroleum-based products, or any strong solvents to clean your tool.
13. Do not use the tool as a hammer.
14. Never use this tool in a manner that could cause a fastener to be directed toward anything other than the workpiece.
15. Never use gasoline or other flammable liquids to clean the tool. Never use the tool in the presence of flammable liquids or gases. Vapors could ignite by a spark and cause an explosion which will result in death or serious personal injury.
16. Do not remove, tamper with, or otherwise cause the trigger lock or trigger to become inoperable. Do not operate any tool which has been modified in a like fashion. Death or serious personal injury could result.
17. Do not touch the trigger unless driving fasteners. Never attach air line to tool or carry tool while touching the trigger. The tool could eject a fastener which will result in death or serious personal injury. Also actuate the trigger lock to the safe position when not in use.
18. Always fit tool with a fitting or hose coupling on or near the tool in such a manner that all compressed air in the tool is discharged at the time the fitting or hose coupling is disconnected. Do not use a check valve or any other fitting which allows air to remain in the tool. Death or serious personal injury could occur.
19. Never place hands or any other body parts in the fastener discharge area of the tool. The tool might eject a fastener and could result in death or serious personal injury.
20. Never carry the tool by the air hose or pull the hose to move the tool or a compressor. Keep hoses away from heat, oil and sharp edges. Replace any hose that is damaged, weak or worn. Personal injury or tool damage could occur.

## Safety Information(Continued)

### TOOL USE AND CARE(CONTINUED)

21. Always assume the tool contains fasteners. Respect the tool as a working implement; no horseplay.
22. Always keep others at a safe distance from the work area in case of accidental discharge of fasteners. Do not point the tool toward yourself or anyone whether it contains fasteners or not. Accidental triggering of the tool could result in death or serious personal injury.
23. Do not drop or throw the tool. Dropping or throwing the tool can result in damage that will make the tool unusable or unsafe. If the tool has been dropped or thrown, examine the tool closely for bent, cracked or broken parts and air leaks. STOP and repair before using, or serious injury could occur.
24. Avoid using the tool when the magazine is empty. Accelerated wear on the tool may occur.
25. Clean and check all air supply hoses and fittings before connecting the tool to an air supply. Replace any damaged or worn hoses or fittings. Tool performance or durability may be reduced.
26. Do not use the tool if it leaks air or does not function properly.
27. Do not operate the tool if it does not contain a legible warning label.
28. Always carry the tool by the handle. Never carry the tool by the air hose.

### TOOL SERVICE

1. Use only accessories that are identified by the manufacturer for the specific tool model.
2. When servicing a tool, use of unauthorized parts or failure of following maintenance instructions may create a risk of injury.
3. Use only the lubricants supplied with the tool or specified by the manufacturer.
4. Tool service must be performed only by qualified repair personnel.

### AIR SOURCE

1. Never Connect to an air source that is capable of exceeding 200 psi. Over pressurizing the tool is able to result in bursting, abnormal operation, breakage of the tool or serious injury to persons. Use only clean, dry, regulated compressed air at the rated pressure or within the rated pressure range as marked on the tool. Always verify prior to using the tool that the air source has been adjusted to the rated air pressure or within the rated air-pressure range.
2. Never use oxygen, carbon dioxide, combustible gases or any bottled gas as an air source for the tool. Such gases are capable of explosion and serious injury to person.

### OPERATION

1. Do not drive fasteners near edge of material. The workpiece may split causing the fastener or ricochet, injuring you or people around.
2. Do not carry the tool from place to place holding the trigger. Accidental discharge could result. Choice of triggering method is important. Check manual for triggering options.
3. During normal use the tool will recoil immediately after driving a fastener. This is a normal function of the tool. Do not attempt to prevent the recoil by holding the tool against the work. Restriction to the recoil can result in a second fastener being driven from the tool. Grip the handle firmly and let the tool do the work. Failure to heed this warning can result in serious personal injury.
4. Do not drive fasteners on top of other fasteners or with the tool at an overly steep angle as this may cause deflection of fasteners which could cause injury.
5. Do not actuate the tool unless you intend to drive a fastener into the workpiece.
6. Always handle the tool with care:
  - Respect the tool as a working implement.
  - Never engage in horseplay.
  - Never pull the trigger unless nose is directed toward the work.
  - Keep others a safe distance from the tool while tool is in operation as accidental actuation may occur, possibly causing injury.

## Safety Information(Continued)

### AIR SUPPLY AND CONNECTIONS

1. The Connector on the tool must not hold pressure when air supply is disconnected. If an incorrect fitting is used, the tool can remain charged with air after disconnecting and thus will be able to drive a fastener even after the air line is disconnected, possible causing injury.
2. Do not use any type of reactive gases, including, but not limited to, oxygen and combustible gases, as a power source. Use filtered, lubricated, regulated compressed air only. Use of a reactive gas instead of compressed air may cause the tool to explode which will cause death or serious personal injury.
3. Use only a pressure-regulated compressed air source to limit the air pressure supplied to the tool. The regulated pressure must not exceed 110 psi. If the regulator fails, the pressure delivered to the tool must not exceed 200 psi.
4. Always disconnect air source:
  - Before unloading or making adjustments.
  - When maintaining the tool.
  - When clearing a jam.
  - When touching the safety yoke.
  - When tool is not in use.
  - When moving to a different work area.

Such precautionary measures reduce the risk of injury to persons.

### LOADING TOOL

1. Do not load the tool with fasteners when any one of the operating controls is activated.
2. Never place a hand or any part of body in fastener discharge area of tool.
3. Never point tool at anyone.
4. Do not pull the trigger or depress the workpiece contact as accidental actuation may occur, possibly causing injury.



WARNING: The warnings and precautions discussed above cannot cover all possible conditions and situations that may occur. It must be understood by the user that common sense and caution are factors which cannot be built into this product, but must be supplied by the user.

## Warranty

### HUSKY PNEUMATIC NAILER LIMITED TWO-YEAR WARRANTY

This warranty covers defects in workmanship or materials in this HUSKY pneumatic nailer for the two-year period from the date of purchase. This warranty is specific to this pneumatic nailer. Warranties for other HUSKY products may vary. This warranty applies only to the original retail purchaser and may not be transferred. This warranty does not cover normal wear and tear or any malfunction, failure or defect resulting from misuse, abuse, neglect, alteration, modification or repair by other than a service center authorized to repair HUSKY branded air nailer. Expendable materials, such as O-rings, bumpers, driver blades, seals, etc. are not covered by this warranty. This warranty does not apply to pneumatic nailer kit used in industrial application or for rental purposes. HUSKY makes no warranties, representations or promises as to the quality or performance of its pneumatic nailer other than those specifically stated in this warranty.

### ADDITIONAL LIMITATIONS

To the extent permitted by applicable law, all implied warranties, including warranties of merchantability or fitness for a particular purpose, are disclaimed. Any implied warranties, including warranties of merchantability or fitness for a particular purpose, that can not be disclaimed under state law are limited to two years from the date of purchase. HUSKY is not responsible for direct, indirect, incidental, special or consequential damages. If this pneumatic nailer kit is used for commercial purposes, the warranty will apply for ninety (90) days from the date of purchase. Some states do not allow limitations on how long an implied warranty lasts and/or do not allow the exclusion or limitation of incidental or consequential damages, so the above limitations may not apply to you. This warranty gives you specific legal rights, and you may also have other rights, which vary from state to state.

## Unpacking

1. This tool has been shipped completely assembled.
2. Carefully remove the tool and any accessories from the box.
3. Inspect the tool carefully to make sure no breakage or damage occurred during shipping.
4. Do not discard the packing material until you have carefully inspected and satisfactorily operated the tool.
5. If any parts are damaged or missing, please call 1-888-HD-HUSKY.



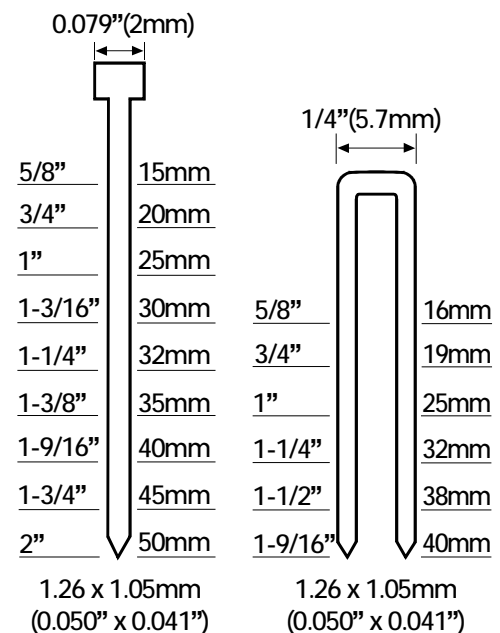
WARNING: If any parts are missing, do not operate the tool until the missing parts are replaced. Failure to do so could result in possible serious personal injury.



WARNING: Do not attempt to modify the tool or create accessories not recommended for use with the tool. Any such alteration or modification is misuse and could result in hazardous condition leading to possible serious personal injury.

## Specifications

- Air inlet: 1/4 inch NPT
- Magazine capacity: 18 Ga. Brad nail: 100pcs  
18 Ga. Staple: 100pcs
- Weight: 3.35 lbs
- Maximum pressure: 110 psi
- Pressure range: 60 psi – 110 psi
- Fasteners range: 18 Ga. Brad nail: 5/8" - 2"  
18 Ga. Staple: 5/8" - 1-9/16"



Compatible with generic 18 gauge brad nails and staples.

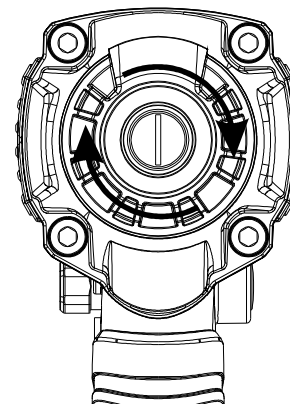
## Features

- 360°ADJUSTABLE EXHAUST  
Allows user to direct air away from face.
- ONE PIECE DRIVE BLADE  
For increased durability.
- COMFORT-GRIP HANDLE  
For increased comfort and control.
- DUAL-MODE TRIGGER  
Easily allows for single or sequential firing.
- ADJUSTABLE DEPTH  
Depth is easily adjustable for various applications.
- QUICK-JAM RELEASE  
Allows for easy access clearing in the event of a jam.
- NON-MARRING SAFETY CONTACT  
Protect working surface from damage.

## Operation

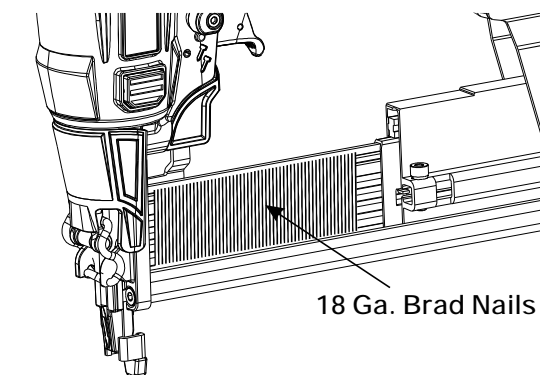
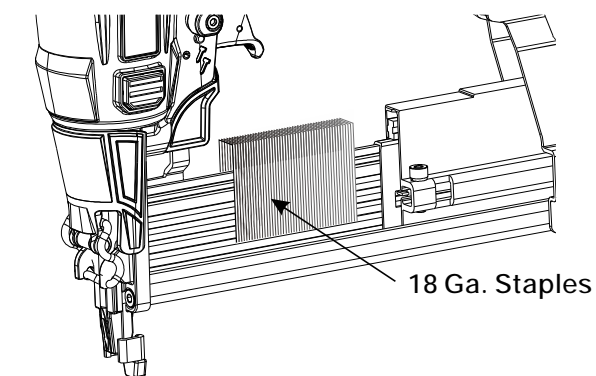
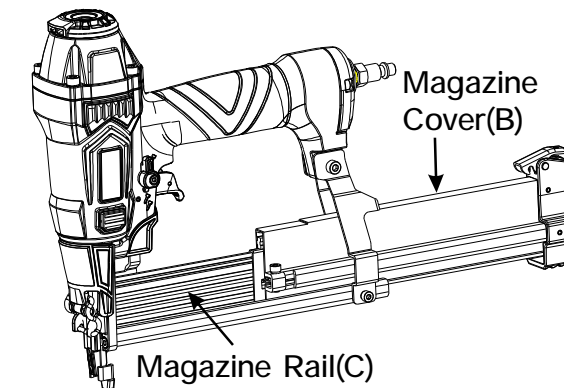
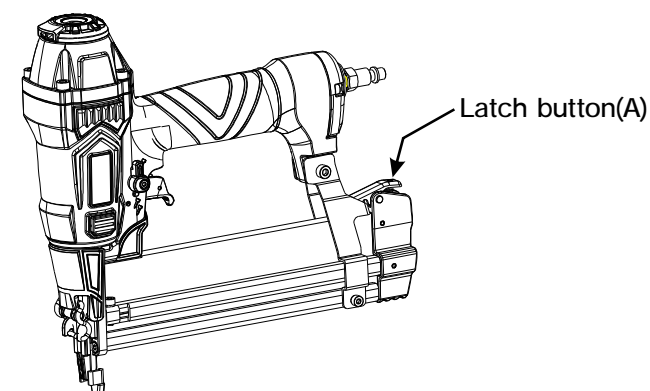
### 1 Adjusting the exhaust

The adjustable exhaust on the cap of the tool allows users to direct the exhaust according to operator preference. To adjust the direction, turn the exhaust cap in the desired direction.



### 2 Loading fasteners

- Connect the tool to the air source.
- Push down on the latch button(A). Pull back on the magazine cover(B).
- For brad nail: Insert a stick of fasteners into the magazine rail(C). Make sure the pointed ends of the fasteners are resting on the bottom ledge of the magazine when loading.
- For staples: set a stick of fasteners on the top of magazine.
- Make sure the fasteners are not dirty or damaged.
- Push the magazine cover(B) forward until latch button pops up.



**WARNING:** The tool may fire when it is first connected to the air source. Always connect the tool to the air source before loading fasteners to prevent injury from unintended cycling. Always make sure the tool's magazine is empty at the beginning of each work session, before connecting to an air source.

## Operation(Continued)



**WARNING:** Keep the tool pointed away from yourself and others when loading fasteners. Failure to do so could result in possible serious personal injury.



**WARNING:** Use only fasteners recommended for use with this tool. Fasteners not identified for use with this tool by the tool manufacturer are able to result in a risk of injury to persons or tool damage when used in this tool.



**WARNING:** Never load fasteners with the workpiece contact or trigger activated. Doing so could result in possible serious personal injury.

## 3 Unloading fasteners

Unloading is the reverse of loading. Always disconnect the air source before unloading.



**WARNING:** Always unload all fasteners before removing tool from service.

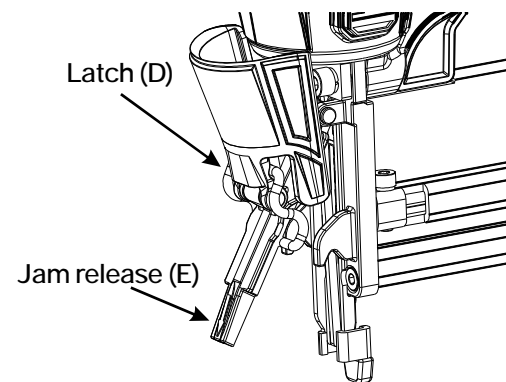


**WARNING:** Always disconnect the air source before unloading.

## 4 Clearing jams

Occasionally, a fastener may become jammed in the firing mechanism of the tool, making the tool inoperable. To remove a jammed fastener, follow these steps below:

- Disconnect the tool from air source.
- Remove fasteners from the tool. Failure to do so will cause the fasteners to eject from the front of the tool.
- Pull up on the latch(D) and open the jam release(E).
- Using caution not to bend or damage the driver blade, using pliers or a screwdriver if required to clear the jammed fastener.
- Close the jam release and latch.
- Reconnect the tool to the air source.
- Reload the tool with fasteners.



**WARNING:** Make sure there is no fastener in magazine before clearing a jam.



**WARNING:** Disconnect the tool from the air source whenever clearing a jam. After disconnecting the tool from the air compressor, there should still be enough air pressure to fire the tool. After the air hose is disconnected, always fire the tool into scrap wood repeatedly to make sure all of the compressed air is expended.

## Operation(Continued)

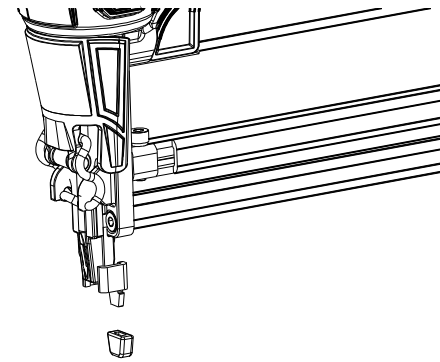
## 5 Non-marring pad

The non-marring pad attached to the nose of the tool helps prevent marring and denting when working with softer woods.



**WARNING:** Disconnect the tool from the air source before removing or replacing the non-marring pad. Failure to do so could result in serious personal injury.

- To remove the pad: Pull the no mar tip towards the back of the tool following the nose.
- To replace the pad: Push the no mar tip on to the tool inserting the opening of the no mar tip on to the nose.



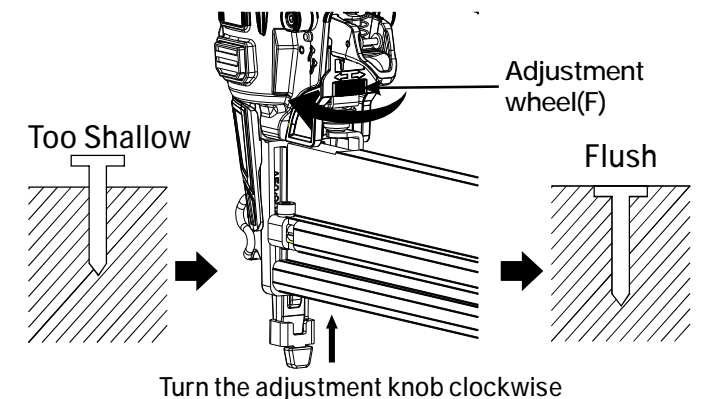
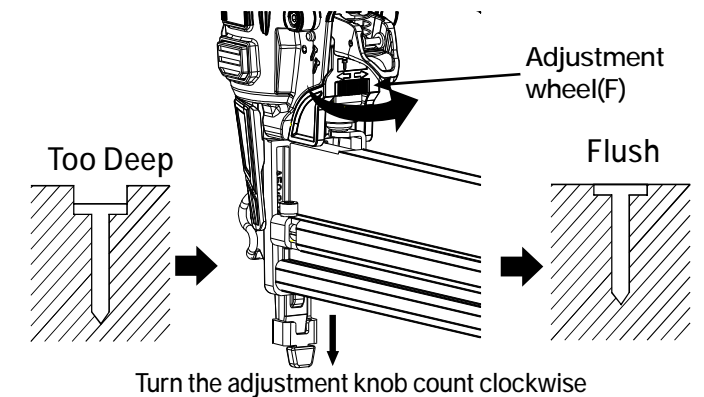
## 6 Setting the air pressure

- The amount of air pressure required depends on the size of the fasteners and the workpiece material.
- Begin testing the depth of drive by driving a test nail into the same type of workpiece material used for the actual job.
- Drive a test fastener with the air pressure set at 90-95 psi. Raise or lower the air pressure to find the lowest setting that will perform the job with consistent results.
- It may be possible to achieve the desired depth with air pressure adjustments alone.

## 7 Depth adjustment

The driving depth of the fasteners are adjustable. To adjust the depth, use the drive depth adjustment wheel (F) on the tool.

- Disconnect the tool from air source.
- Turn the depth wheel left or right to change the driving depth.
- Reconnect the tool to the air source.
- Drive a test nail after each adjustment until the desired depth is set.



**CAUTION:** It is advisable to test the depth on a scrap workpiece to determine the required depth for the application. To determine depth of drive, first adjust the air pressure and drive a test fastener. Never exceed 110 psi.

## Operation(Continued)

### 8 Firing the tool

The tool is equipped with a trigger that select one of two firing modes:

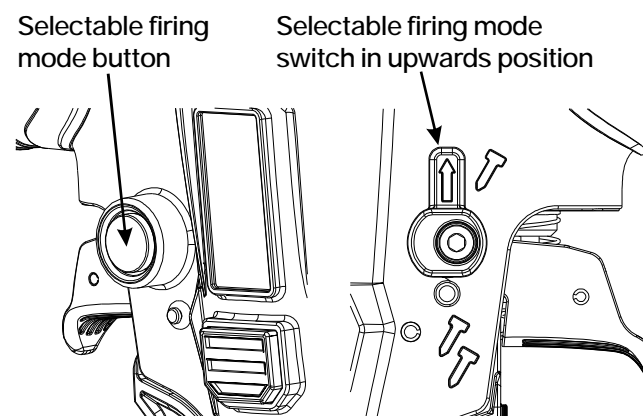
#### SEQUENTIAL FIRING MODE

Single sequential actuation provides the most accurate fastener placement. This is considered to be more restrictive mode of operation, suitable for less experienced users.

To use the tool to drive nails in this actuation mode, work contact element and trigger must be used in a specific order.

1. Disconnect the tool from the air source.
2. Press the selectable firing mode button, turning the selectable firing mode switch in the upwards, the firing mode indicator should be pointing at the single nail icon.
3. Connect the tool to the air source.
4. The work contact element must be completely depressed by placing the nose of the tool against the work piece.
5. The trigger must be pulled firmly and then released.
6. The tool must be allowed to recoil away from the work piece.

To continue operation in a separate location, move the tool along the work piece, repeating step 4 through 6.



#### Note:

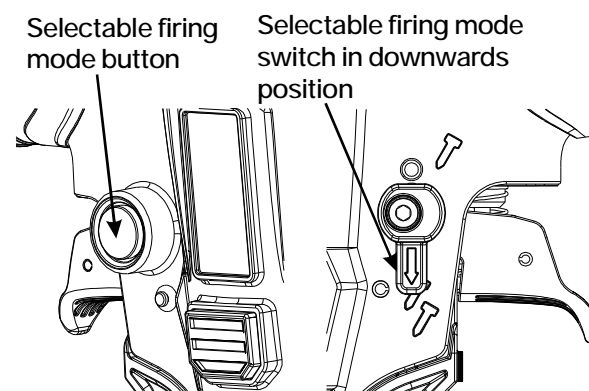
If the trigger is pulled before the work contact element is depressed, the tool will not operate. This is considered to be more restrictive mode of operation, suitable for less experienced users.

#### CONTACT ACTUATION MODE

Contact actuation allows very fast repetitive fastener placement.

To use the tool to drive nails in this actuation mode the work contact element and trigger can be actuated in any order.

1. Disconnect the tool from the air source.
2. Press the selectable firing mode button, turning the selectable firing mode switch in the downwards position, the firing mode indicator should be pointing at the multi-nail icon.
3. Connect the tool to the air source.
4. Pull and hold the trigger with the tool off the work piece.
5. Press the work contact element against the work piece. A nail will be driven.
6. The tool must be allowed to recoil away from the work piece.
7. Move the tool along the work piece with a bouncing motion. Each time the work contact element is depressed a nail will be driven.
8. As soon as the desired number of nails has been driven, remove finger from trigger.



#### NOTE:

This actuation mode is recommended when less precise nail placement is required.

Extreme care should be taken because a nails will be driven when the work contact element is pressed against any surface.

Since the tool can be actuated without removing the finger from the trigger, this is considered to be a less restrictive mode, suitable for more experienced users.



**WARNING:** Remove the finger from the trigger when not driving nails. Always carry the tool by the handle only.



**WARNING:** The tool must be allowed to recoil away from the work piece. Do not drive a nail on top of another nail.

## Operation(Continued)



**WARNING:** During normal use the tool will recoil immediately after driving a fastener. This is a normal function of the tool. Do not attempt to prevent the recoil by holding the tool against the work. Restriction of the recoil can result in a second fastener being driven from the tool. Grip the handle firmly and let the tool do the work. Failure to heed this warning can result in serious personal injury.



**WARNING:** Always know the operational mode of the tool before using. Failure to know the operational mode could result in death or serious personal injury.



**WARNING:** An improperly functioning tool must not be used. Do not actuate the tool unless the tool is placed firmly against the work place.

## Maintenance



**WARNING:** Any time inspection, maintenance, and cleaning are done:

- Disconnect the tool from the air source.
- Empty the magazine completely.

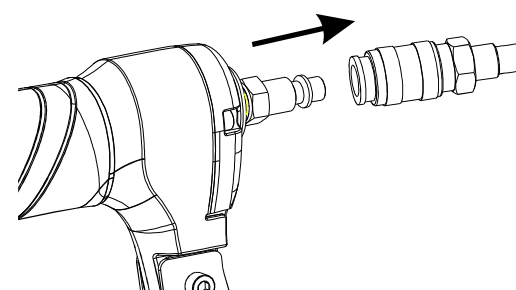
### ANTI-DUST CAP

Each tool is packed with an anti-dust cap on the air connector, check it after unpacking. Keep the anti-dust cap covering the air connector when the tool is not in use.

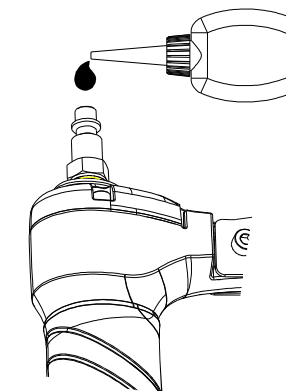
### LUBRICATION

Lubrication is required for best performance after long periods use. Oil for pneumatic fastening tools is added through the air line connection and will lubricate internal parts.

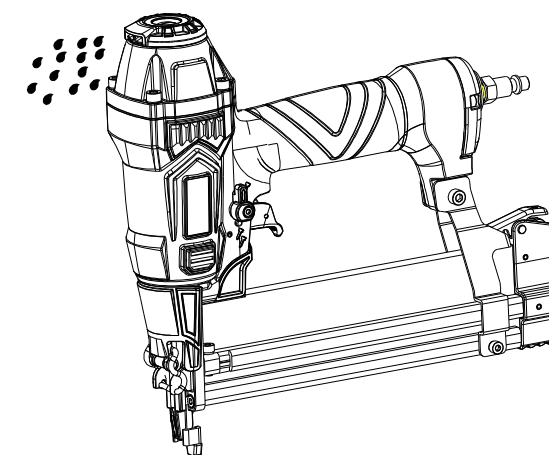
- Disconnect the air supply from the tool to add the lubricant.



- Turn the tool so the air inlet is facing up. Place 2 - 3 drops of pneumatic fastening tool oil into air inlet. Do not use detergent oils, oil additives, or air-tool oils as these lubricants will cause accelerated wear to the seals and bumpers in the tool, resulting in poor tool performance and frequent tool maintenance.



- After adding oil, connect the tool to the air source, run tool briefly. Wipe off any excess oil from the cap exhaust.



## Maintenance(Continued)



CAUTION: Lubricate tool with specified lubricants.



CAUTION: The work surface can become damaged by excessive lubrication. Proper lubrication is the owner's responsibility. Failure to lubricate the tool properly will dramatically shorten the life of the tool and void your warranty.

## CLEANING

Avoid using solvents when cleaning plastic parts. Most plastics are susceptible to damage from various types of commercial solvents and maybe damaged by their use. Use clean cloths to remove dirt, dust, oil, grease, etc.



WARNING: Do not at any time let brake fluids, gasoline, petroleum-based products, penetration oils, ect. come in contact with plastic parts. Chemicals can damage, weaken or destroy plastic which may result in serious personal injury.

## COLD WEATHER

For cold weather operation, near and below freezing, the moisture in the air line may freeze and prevent tool operation. We recommend the use of air tool lubricant or permanent antifreeze (ethylene glycol) as a cold weather lubricant.



CAUTION: Do not store tools in a cold weather environment to prevent frost or ice formation on the tool's operating valves and mechanisms that could cause tool failure.

## Recommended hookup

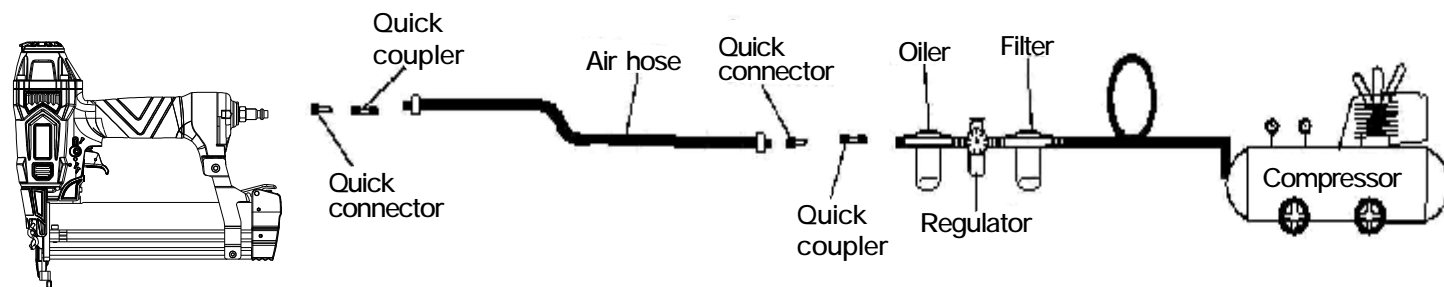
- The air compressor must be able to maintain a minimum of 60 psi when the tool is being used. An inadequate air supply can cause a loss of power and inconsistent driving.
- An oiler can be used to provide oil circulation through the tool. A filter can be used to remove liquid and solid impurities which can rust or gum up internal parts of the tool.
- Always use air supply hoses with a minimum working pressure rating equal to or greater than the pressure from the power source if a regulator fails, or 150 psi, whichever is greater. Use 3/8" air hose for runs up to 50' and use a 3/8" quick coupler on the air hose.
- Use a pressure regulator on the compressor, with an operating pressure of 0 -125 psi. A pressure regulator is required to control the operating pressure of the tool between 60 psi and 110 psi.



CAUTION: The air compressor must be able to maintain a minimum of 60 psi when the tool is being used. An inadequate air supply can cause a loss of power and inconsistent driving.



WARNING: Do not connect with air compressor which can potentially exceed 200 psi. As tool may burst, possibly causing injury.



## Troubleshooting



WARNING: Stop using tool immediately if any of the following problems occur. Serious personal injury could result. Any repairs or replacements must be done by a qualified service person or an authorized service center.

Problems	Possible cause(s)	Corrective action
Air leaking at trigger valve area.	O-rings in trigger valve housing are damaged.	Replace O-rings.
Air leaking between housing and nose.	<input type="checkbox"/> Loose screws in housing. <input type="checkbox"/> Damaged O-rings. <input type="checkbox"/> Damaged to bumper.	<input type="checkbox"/> Tighten screws. <input type="checkbox"/> Replace O-rings. <input type="checkbox"/> Replace bumper.
Air leaking between housing and cap.	<input type="checkbox"/> Loose screws. <input type="checkbox"/> Damaged gasket.	<input type="checkbox"/> Tighten screws. <input type="checkbox"/> Replace gasket.
Tool skips driving fastener.	<input type="checkbox"/> Worn bumper. <input type="checkbox"/> Dirt in nose piece. <input type="checkbox"/> Dirt or damage prevent fasteners or pusher from moving freely in magazine. <input type="checkbox"/> Damaged pusher spring. <input type="checkbox"/> Inadequate air flow to tool. <input type="checkbox"/> Worn O-ring on piston or lack of lubrication. <input type="checkbox"/> Damaged O-ring on trigger valve. <input type="checkbox"/> Air leaks. <input type="checkbox"/> Cap seal leaking.	<input type="checkbox"/> Replace bumper. <input type="checkbox"/> Clean drive channel. <input type="checkbox"/> Clean magazine. <input type="checkbox"/> Replace spring. <input type="checkbox"/> Check fitting, hose, or compressor. <input type="checkbox"/> Replace and lubricate O-rings. <input type="checkbox"/> Replace O-rings. <input type="checkbox"/> Tighten screws and fittings. <input type="checkbox"/> Replace gasket.
Tool runs slow or has loss of power.	<input type="checkbox"/> Tool not lubricated sufficiently. <input type="checkbox"/> Broken spring in cylinder cap. <input type="checkbox"/> Exhaust port in cap is blocked.	<input type="checkbox"/> Lubricate nailer. <input type="checkbox"/> Replace spring. <input type="checkbox"/> Replace damaged internal parts.
Fasteners are jammed in tool.	<input type="checkbox"/> Guide on driver is worn. <input type="checkbox"/> Fasteners are not correct size. <input type="checkbox"/> Fasteners are bent. <input type="checkbox"/> Magazine or nose screws are loose. <input type="checkbox"/> Drive blade is damaged.	<input type="checkbox"/> Replace guide. <input type="checkbox"/> Use only recommended fasteners. <input type="checkbox"/> Replace with undamaged fasteners. <input type="checkbox"/> Tighten screws. <input type="checkbox"/> Replace drive blade.





Question, Problems, Missing parts? Before returning to the store,  
call Husky Customer Service  
8 a.m - 6 p.m, EST, Monday- Friday

1-888-HD-HUSKY

HUSKYTOOLS.COM

Retain this manual for future use.



Modelo Núm:DP2118G

## GUÍA DE USO Y MANTENIMIENTO

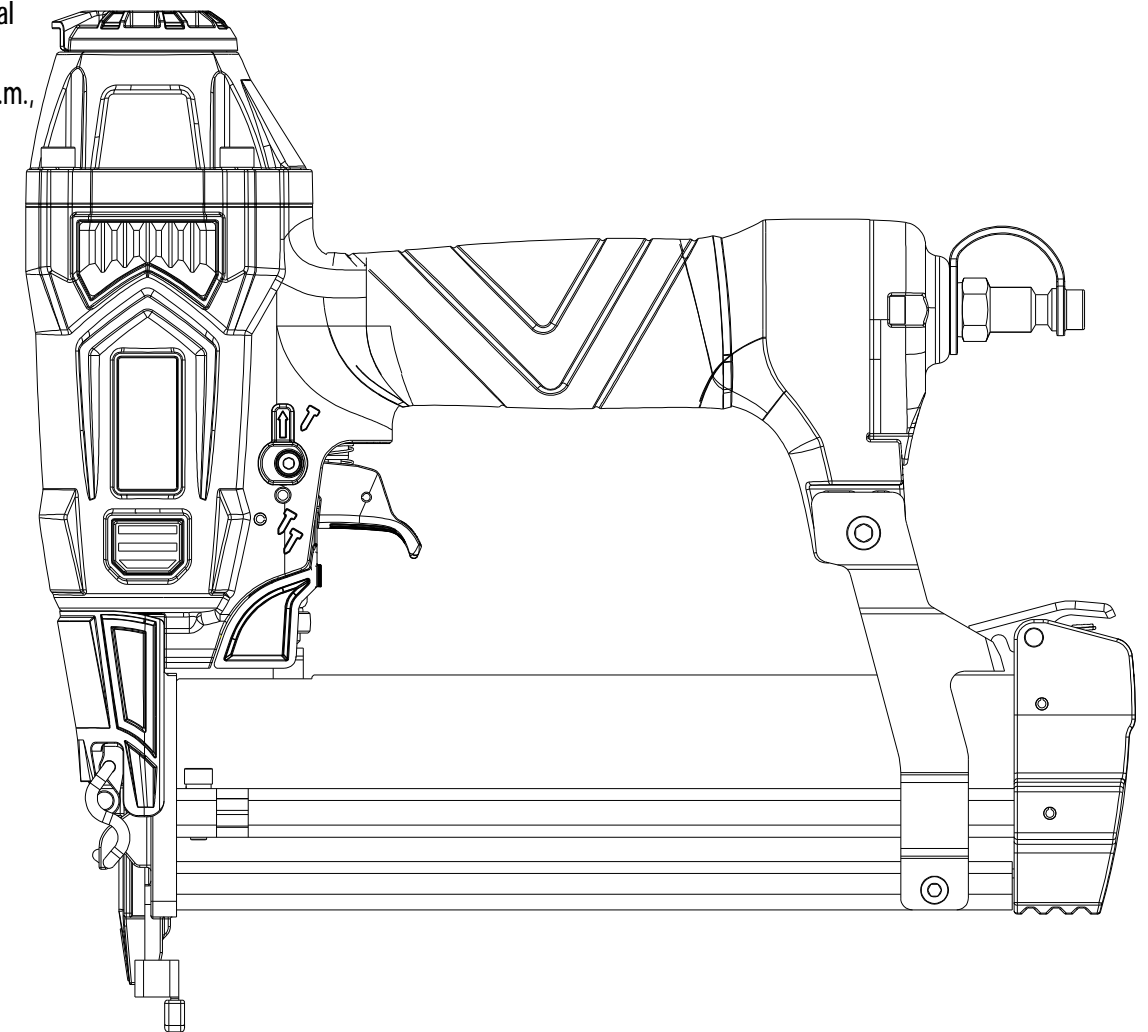
### 2 EN 1 DE CLAVADORA/ENGRAPADORA DE CALIBRE 18

Preguntas, problemas, o piezas faltantes?

Antes de regresar a la tienda, llama al  
Servicio al Cliente de Husky  
de lunes a viernes entre 8 a.m. y 6 p.m.,  
(hora del Este de EE. UU.)

1-888-HD-HUSKY

HUSKYTOOLS.COM



GRACIAS POR TU COMPRA

*Apreciamos la confianza que has depositado en Husky al comprar de clavadora de neumático.  
Nos esforzamos para continuamente crear productos de calidad diseñados para tu hogar. Visítanos por Internet para ver nuestra  
línea completa de productos disponibles para tus necesidades de mejoras en el hogar. Gracias por elegir Husky!*

## Tabla de Contenido

Tabla de contenido	18
Información de seguridad	19
Símbolos	19
Área de trabajo	19
Seguridad personal	19
Uso y cuidado de la herramienta	20
Reparación de la herramienta	22
Fuente del aire	22
Funcionamiento	22
Entrada de aire y conexiones	22
Cargar la herramienta	23
Garantía	23
Desempacar	24
Especificaciones	24
Características	24
Operación	25
Cómo ajustar el escape	25
Cómo cargar los sujetadores	25
Cómo descargar los sujetadores	26
Cómo retirar sujetadores atascados	26
Almohadilla que no raya	27
Cómo configurar la presión de aire	27
Ajuste de profundidad	27
Cómo activar la herramienta	28
Mantenimiento	29
Función antipolvo	29
Lubricación	29
Limpieza	30
Operación en climas fríos	30
Conexión recomendada	30
Solución de problemas	31

## Información de Seguridad



**ADVERTENCIA:** Para evitar lesiones personales graves, no intente usar este producto hasta haber leído y comprendido el manual por completo. Guarda este manual y consúltalo con frecuencia para un funcionamiento seguro y para instruir a otros usuarios de esta herramienta.



**ADVERTENCIA:** Cuando se usen herramientas, siempre se deberán seguir precauciones básicas, incluyendo las siguientes.

### SÍMBOLOS



Lea el manual del operador de: Para reducir el riesgo de lesiones, el usuario debe leer y entender el manual del operador antes de usar este producto.



El riesgo a la audición: Siempre use protección para los oídos cuando se utiliza este tool. Failure lo contrario, podría resultar en la pérdida de audición.



Protección de los ojos: Use siempre gafas de seguridad, gafas de seguridad con protección lateral o una careta completa cuando utilice esta producto.



Riesgo de lesiones personales graves: Nunca coloque las manos o cualquier otra parte del cuerpo en la zona de descarga del sujetador de la clavadora. La herramienta puede expulsar un sujetador y puede causar la muerte o lesiones graves.

### ÁREA DE TRABAJO

1. Mantenga el área de trabajo limpia y bien iluminada. Los bancos de trabajo desordenados y las áreas oscuras aumentan el riesgo de accidentes.
2. No utilice la herramienta en atmósferas en las que exista riesgo de explosión, como por ejemplo en presencia de líquidos inflamables, gases o polvo. La herramienta produce una chispa que podría encender líquidos inflamables, gases o polvo.
3. Mantenga a los transeúntes, niños y a otras personas alejadas cuando esté utilizando la herramienta. Las distracciones podrían resultar en el uso inapropiado y causar lesiones.
4. Evite los disparos accidentales. Siempre tenga precaución para evitar disparos accidentales. No apunte la herramienta hacia usted u otra persona, aun cuando no contenga sujetadores.

## SEGURIDAD PERSONAL



**ADVERTENCIA:** Instrucciones en referencia al peligro de incendios, choque eléctrico o lesiones personales.



**ADVERTENCIA:** Este producto puede exponerlos a productos químicos incluyendo plomo, que es conocido por el Estado de California para causar cáncer y defectos de nacimiento u otros daños reproductivos. Para obtener más información, visite [www.P65Warnings.ca.gov](http://www.P65Warnings.ca.gov).

1. No clave sobre otro clavo. Esto puede causar que el clavo se desvíe y alcance a alguien, o que la herramienta reaccione de alguna manera y lesione a alguien.
2. Retire el dedo del gatillo cuando no coloca sujetadores. Nunca transporte la herramienta con el dedo en el gatillo, ya que la herramienta puede disparar un sujetador.
3. Usa siempre protección para los ojos. El operador y las otras personas en el área de trabajo deben usar siempre gafas de seguridad con protectores laterales, aprobadas por ANSI. La protección de los ojos se utiliza para resguardarlos de los fijadores y residuos que puedan saltar, los cuales pueden causar lesiones graves en los ojos.
4. Usa siempre protección auditiva cuando utilices la herramienta. La exposición prolongada a ruidos de alta intensidad puede causar la pérdida de la audición.
5. Usa un equipo de seguridad. Se deben usar una máscara antipolvo, calzado de seguridad antideslizante y un casco rígido en condiciones donde sean necesarios. Usa una máscara protectora completa si estás trabajando con virutas de madera o limaduras de metales.
6. Usa la vestimenta adecuada. No utilices ropa o joyas sueltas. Recoge el cabello largo. Mantén el cabello, la ropa y los guantes alejados de las partes móviles. La ropa y las joyas sueltas o el cabello largo pueden quedar atrapados en las partes móviles.
7. Cuando utilices una herramienta de motor mantente alerta, observa lo que estás haciendo y utiliza el sentido común. No utilices la herramienta si estás cansado o bajo el efecto de drogas, alcohol o medicamentos. Un momento de distracción durante la operación de la herramienta puede causar lesiones graves.
8. Para evitar disparos accidentales mantenga los dedos alejados del gatillo cuando no accione los sujetadores, especialmente cuando conecte la herramienta al suministro de aire.

### SEGURIDAD PERSONAL(CONTINUACIÓN)

9. Mantén siempre una posición firme y el equilibrio adecuado. Una posición firme y el equilibrio adecuado permiten controlar mejor la herramienta en situaciones inesperadas.
10. No la utilices sobre una escalera de tijera o soportes inestables. Una posición estable sobre una superficie sólida permite un mejor control de la herramienta en situaciones imprevistas.
11. Asegúrate de que la manguera esté libre de obstrucciones o trabas. Las mangueras atascadas o enredadas pueden causar la pérdida del equilibrio o la estabilidad y pueden dañarse y causar lesiones.
12. No se extienda demasiado. Mantenga un apoyo de pies y un equilibrio adecuados en todo momento. Un apoyo de pies y equilibrio adecuados permiten un mejor control de la herramienta en situaciones inesperadas.
13. No fije la manguera o herramienta a su cuerpo. Fije la manguera a la estructura para reducir el riesgo de pérdida de equilibrio en caso que la manguera se mueva.
14. Siempre dé por sentado que la herramienta contiene sujetadores. No apunte la herramienta hacia usted u otra persona, aun cuando no contenga sujetadores.
15. Lávese las manos después de manipularlo. Este producto o su cable eléctrico pueden contener sustancias químicas reconocidas por el estado de California como causantes de cáncer, defectos congénitos y otros daños en el aparato reproductivo.

### USO Y CUIDADO DE LA HERRAMIENTA



ADVERTENCIA: Disconecten la grapadora de el aire antes de ajustes, mantenimiento, tacto del yugo de seguridad, quitando grapas quebradas y terminado el proyecto. Esto va ayudar para que nadie tenga un dano.

1. Infórmate sobre la herramienta. Lee el manual con cuidado, aprende sobre sus aplicaciones y limitaciones, como también sobre los riesgos específicos y potenciales relacionados con la herramienta.
2. Utilice sólo los sujetadores recomendados para cada modelo. No utilice sujetadores inadecuados ni cargue los sujetadores de forma incorrecta.
3. Usa únicamente accesorios identificados por el fabricante para ese modelo específico de herramienta. La utilización de piezas no autorizadas o el incumplimiento de las instrucciones de mantenimiento pueden aumentar el riesgo de lesiones.
4. Use solamente los sujetadores recomendados para esta herramienta. Los sujetadores no identificados por el fabricante de la herramienta para usarse con la misma pueden causar lesiones a las personas o daños en la herramienta cuando se usan con ella.
5. Comprueba que las piezas móviles no estén desalineadas ni bloqueadas, que no haya piezas dañadas o cualquier otra condición que pueda afectar el funcionamiento de la herramienta. Si está dañada, repara la herramienta antes de utilizarla. Muchos accidentes se deben al mantenimiento incorrecto de la herramienta.
6. Cuida la herramienta para mantenerla en buenas condiciones. Mantén limpia la herramienta. Una herramienta con el mantenimiento adecuado corre menos riesgo de bloquearse y es más fácil de controlar.
7. Guarda las herramientas fuera del alcance de los niños y otras personas que no sepan como utilizarlas. Las herramientas son peligrosas en manos de usuarios que no saben como utilizarlas.
8. Comprueba el funcionamiento de la herramienta antes de usarla. No uses la herramienta si el mecanismo de contacto de la pieza de trabajo no funciona correctamente para evitar disparar los fijadores accidentalmente.
9. No utilice la herramienta si el gatillo no se acciona correctamente. Toda herramienta que no pueda controlarse con el gatillo es peligrosa y debe repararse.

### USO Y CUIDADO DE LA HERRAMIENTA (CONTINUACIÓN)

10. No fuerces la herramienta. Utiliza la herramienta correcta según la aplicación. La herramienta correcta realizará el trabajo mejor y con más seguridad a la velocidad para la cual está diseñada.
11. Usa abrazaderas u otra forma práctica para asegurar y sujetar la pieza de trabajo a una plataforma estable. Sostener la herramienta con la mano o apoyarla contra el cuerpo no ofrece la estabilidad adecuada y puede causar pérdida de control.
12. Mantén la herramienta y el mango secos, limpios y libres de aceite o grasa. Usa siempre un paño limpio para la limpieza. Nunca uses líquido de freno, gasolina, productos a base de petróleo ni solventes para limpiar la herramienta.
13. No utilices la herramienta como martillo.
14. No utilices esta herramienta de tal manera que los fijadores se dirijan hacia cualquier otra cosa que no sea la pieza de trabajo.
15. Nunca utilice gasolina ni ningún otro líquido inflamable para limpiar la herramienta. Nunca utilice la herramienta en presencia de líquidos o gases inflamables. Los vapores podrían encenderse por una chispa y causar una explosión que podría provocar lesiones personales graves o la muerte.
16. No retire, fuerce ni haga que el gatillo o el seguro del mismo queden inutilizables. No haga funcionar ninguna herramienta que se haya modificado de dicha manera, en caso contrario podrían ocurrir lesiones personales graves o la muerte.
17. No apriete el gatillo a menos que coloque sujetadores. Nunca fije el conducto de aire comprimido ni cargue la herramienta mientras aprieta el gatillo. La herramienta podría lanzar un sujetador y provocar lesiones personales graves o la muerte. Siempre coloque el seguro del gatillo en la posición de seguridad cuando no use la herramienta.
18. Siempre fije la manguera con un conector o acoplador de manguera sobre o cerca de la herramienta, de forma tal que todo el aire comprimido en la herramienta se descargue al momento en que el conector o el acoplador de la manguera estén desconectados. No utilice una válvula de control ni ningún otro conector que permita que el aire permanezca en la herramienta, en caso contrario podrían ocurrir lesiones personales graves o la muerte.

19. Nunca coloque las manos ni otra parte del cuerpo en el área de descarga de sujetadores de la herramienta. La herramienta podría lanzar un sujetador y provocar lesiones personales graves o la muerte.
20. Nunca transporte la herramienta de la manguera de aire comprimido ni jale la manguera para mover la herramienta o un compresor. Mantenga las mangueras alejadas del calor, el aceite y los bordes filosos. Reemplace las mangueras dañadas o desgastadas, en caso contrario podrían ocurrir lesiones personales o daños en la herramienta.
21. Siempre dé por sentado que la herramienta contiene sujetadores. Considere la herramienta como un implemento de trabajo y no juegue con ella.
22. Siempre mantenga a las demás personas a una distancia segura del lugar de trabajo, en caso se produzcan descargas accidentales de sujetadores. No apunte la herramienta hacia usted u otra persona, aun cuando no contenga sujetadores. La activación accidental de la herramienta podría provocar lesiones personales graves o la muerte.
23. No deje caer ni lance la herramienta. Ya que esto podría ocasionar daños en la herramienta y causar que la misma ya no sea utilizable o segura. Si la herramienta ha sufrido caídas o ha sido lanzada, examínala atentamente y revise si hay piezas dobladas, rajadas o rotas y si hay fuga de aire comprimido. NO PROSIGA y repárela antes de usarla, en caso contrario podrían ocurrir lesiones graves.
24. Evite usar la herramienta cuando el cargador está vacío. Ya que esto puede producir desgaste acelerado en la herramienta.
25. Limpie y revise todas las mangueras y conectores de suministro de aire comprimido antes de conectar la herramienta a un suministro de aire comprimido. Reemplace las mangueras y conectores dañados o desgastados, de lo contrario el rendimiento o la durabilidad de la herramienta podrían verse reducidos.
26. No utilices la herramienta si pierde aire o no funciona correctamente.
27. No utilices la herramienta si no tiene una etiqueta de advertencia legible.
28. Siempre sujeta la herramienta por el mango. Nunca la sujetes por la manguera de aire.

## Información de Seguridad(Continuación)

### REPARACIÓN DE LA HERRAMIENTA

1. Usa únicamente accesorios identificados por el fabricante para ese modelo específico de herramienta.
2. Al mantener una herramienta, la utilización de piezas no autorizadas o el incumplimiento de las instrucciones de mantenimiento pueden aumentar el riesgo de lesiones.
3. Usa únicamente los lubricantes provistos con la herramienta o especificados por el fabricante.
4. La reparación de la herramienta debe ser realizada únicamente por personal calificado.

### FUENTE DEL AIRE

1. Nunca conecte a una fuente de aire que pueda superar los 13,79 bar. El exceso de presión de la herramienta es capaz de ocasionar una explosión, funcionamiento anormal, rotura de la herramienta o lesiones graves a personas. Utilice sólo aire limpio y seco, y regulado a la presión nominal o dentro del rango de presión indicado en la herramienta. Verifique siempre antes de utilizar la herramienta que la fuente de aire se ha ajustado a la presión de aire especificada o dentro del rango nominal de presión de aire.
2. Nunca utilice oxígeno, dióxido de carbono, gases combustibles u otros gases embotellados como fuente de aire para la herramienta. Dichos gases pueden explotar y causar lesiones graves a las personas.

### FUNCIONAMIENTO

1. No coloques fijadores cerca del borde del material. La pieza de trabajo puede partirse y hacer que el fijador rebote y te dañe a ti o a las personas alrededor.
2. No traslade la herramienta de un lugar a otro presionando el gatillo. Esto podría provocar una descarga accidental. La opción del método de disparos es importante. Verifique el manual para las opciones de disparo.
3. Durante el uso normal la herramienta se rebobinará de inmediato luego de accionar un sujetador. Esta es una función normal de la herramienta. No intente evitar la rebobinación sosteniendo la herramienta en contra del funcionamiento. La restricción para rebobinar puede provocar que se accione un segundo sujetador desde la herramienta. Sujete la manija firmemente y permita que la herramienta realice el trabajo. No seguir esta advertencia puede provocar graves lesiones personales.
4. No coloques fijadores sobre otros fijadores o con la herramienta a un ángulo demasiado inclinado ya que esto puede causar el desvío de los fijadores y provocar lesiones.

5. No uses la herramienta a menos que pretendas colocar un fijador en la pieza de trabajo.
6. Opera siempre la herramienta con cuidado:
  - Respete la herramienta como implemento de trabajo.
  - Nunca la uses en bromas y juegos.
  - Nunca jale el gatillo a menos que la punta esté orientada directamente hacia el trabajo.
  - Mantén a los demás a una distancia segura de la herramienta ya que puede accionarse accidentalmente, y posiblemente causar lesiones.

### ENTRADA DE AIRE Y CONEXIONES

1. El conector de la herramienta no debe estar bajo presión al desconectar la entrada de aire. Si se utiliza un acoplador incorrecto, la herramienta puede quedar cargada de aire luego de la desconexión y podría disparar fijadores incluso con la línea de aire desconectada y ello puede causar lesiones.
2. No utilice ningún tipo de gases reactivos, lo que incluye pero no se limita al oxígeno o a gases combustibles, como fuente de alimentación. Use únicamente aire comprimido filtrado, lubricado y regulado. El uso de gas reactivo en lugar de aire comprimido puede hacer que la herramienta explote, lo cual produciría lesiones personales graves o la muerte.
3. Use únicamente una fuente de aire comprimido de presión regulada para limitar la presión de aire suministrada a la herramienta. La presión regulada no debe superar los 7,58 bar. Si el regulador falla, la presión enviada a la herramienta no debe superar los 13,79 bar.
4. Desconecta siempre la fuente de aire:
  - Antes de descargar o realizar ajustes.
  - Al realizar el mantenimiento de la herramienta.
  - Al desatascarla.
  - Al tocar la horquilla de seguridad.
  - Cuando la herramienta no está en uso.
  - Al desplazarse a otra área de trabajo. Dichas medidas de precaución reducirán el riesgo de lesiones a personas.Dichas medidas de precaucion reduiran el riesgo de lesiones a personas.

## Información de Seguridad(Continuación)

### CARGAR LA HERRAMIENTA

1. No cargues la herramienta con fijadores si alguno de los controles operativos está activado.
2. Nunca coloques la mano ni ninguna otra parte del cuerpo en el área de descarga de los fijadores.
3. Nunca apuntes la herramienta hacia las personas.
4. No jale el gatillo ni presione la pieza de trabajo en contacto ya que se podría accionar accidentalmente y posiblemente causar lesiones.



ADVERTENCIA: Las advertencias y precauciones mencionadas anteriormente no abarcan todas las condiciones y situaciones posibles. Es perfectamente comprensible que no podemos fabricar el sentido común y la precaución como partes de ningún producto, el usuario es el responsable de obrar en consecuencia.

## Garantía

### GARANTÍA LIMITADA DE DOS AÑOS DE CLAVADORA DE NEUMÁTICO DE HUSKY

Esta garantía cubre defectos de fabricación o materiales de este clavadora de neumático HUSKY por un periodo de dos años desde la fecha de compra. Esta garantía es específica a este clavadora de neumático, las garantías de otros productos HUSKY pueden variar.

Esta garantía se aplica sólo al comprador original y no puede transferirse. Esta garantía no cubre el desgaste normal por uso; o mal funcionamiento, fallas o defectos que resulten del uso incorrecto, abuso, negligencia, alteración modificación o reparación de un centro de servicio distinto al autorizado para reparar los clavadora de neumático de marca HUSKY. Los materiales expansibles, como juntas tóricas, parachoques, acconadora, sellos, etc., no están cubiertos por esta garantía. Esta garantía no se aplica si este clavadora de neumático es usado para aplicaciones industriales o de alquiler. HUSKY no garantiza, representa ni promete la calidad o rendimiento de estos clavadora de neumático distintos a los especificados en esta garantía.

### LIMITACIONES ADICIONALES

En la medida en que la ley lo permita, se excluyen todas las garantías implícitas, incluyendo garantías de comercialización o adecuación para un propósito particular. Todas las garantías implícitas, incluyendo garantías de comercialización o adecuación para un propósito particular, que no pueden ser excluidas bajo la ley estatal están limitadas a un período de dos años a partir de la fecha de compra. HUSKY no es responsable por daños directos o indirectos, incidentales, especiales o consecuenciales. Si este clavadora de neumático es usado con fines comerciales, esta garantía sería solamente válida por noventa (90) días a partir de la fecha de compra. Algunos estados no permiten limitaciones en la duración de una garantía implícita y/o no permiten la exclusión o limitación de daños directos o indirectos, por lo que las limitaciones previamente enunciadas pueden no aplicarse a su caso. Esta garantía le otorga derechos legales específicos, y usted puede también tener otros derechos, que varían según el estado.

## Desempacar

1. Esta herramienta se ha enviado completamente ensamblada.
2. Retira cuidadosamente la herramienta y los accesorios de la caja.
3. Inspecciona la herramienta cuidadosamente para asegurarte de que no haya ocurrido ninguna rotura ni daño durante el envío.
4. No deseches el material de empaque hasta que hayas inspeccionado cuidadosamente y utilizado satisfactoriamente la herramienta.
5. Si alguna pieza está dañada o falta, llama al 1-888-HD-HUSKY.



**ADVERTENCIA:** Si falta alguna pieza, no utilices esta herramienta hasta reemplazarla. De no seguir esta advertencia, pueden producirse lesiones graves.



**ADVERTENCIA:** No intentes modificar esta herramienta o construir accesorios no recomendados para la misma. Tales modificaciones o cambios son considerados un mal uso y pueden resultar en condiciones peligrosas que a su vez pueden posiblemente causar lesiones.

## Especificaciones

- Entrada de aire: NPT de 6,35 mm
- Capacidad del cargador: Clavos de puntilla: 100 pzs  
Grapas: 100 pzs
- Peso de la herramienta: 1,52 kg
- Presión máxima: 7,58 bar
- Rango de presión: 4,13-7,58 bar
- Rango de sujetadores: Clavos de puntilla: 15-50 mm  
Grapas: 16-40 mm

0.079"(2mm)			
5/8"	15mm	1/4"(5.7mm)	
3/4"	20mm		
1"	25mm	5/8"	16mm
1-3/16"	30mm	3/4"	19mm
1-1/4"	32mm	1"	25mm
1-3/8"	35mm	1-1/4"	32mm
1-9/16"	40mm	1-1/2"	38mm
1-3/4"	45mm	1-9/16"	40mm
2"	50mm		
1.26 x 1.05mm (0.050" x 0.041")		1.26 x 1.05mm (0.050" x 0.041")	

Compatible con todas las marcas genéricas de clavos y grapas de calibre 18.

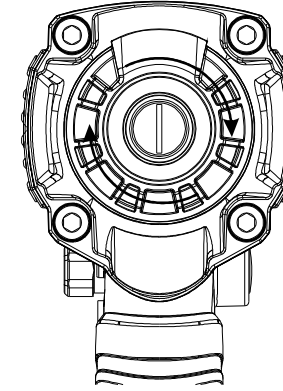
## Características

- ESCAPE AJUSTABLE EN 360 GRADOS**  
Permite al usuario controlar el aire lejos de los cara.
- HOJA DE UNA PIEZA**  
Para mayor durabilidad.
- CÓMODA MANIJA DE AGARRE**  
Para mayor comodidad y control.
- GATILLO DE MODO DUAL**  
Facilita la activación de disparos simples o secuenciales.
- PROFUNDIDAD AJUSTABLE**  
La profundidad se ajusta fácilmente para varias aplicaciones.
- LIBERACIÓN RÁPIDA DE ATASCOS**  
Permite un fácil acceso a la eliminación en el caso de un atasco.
- CONTACTO DE SEGURIDAD QUE NO SE RAYA**  
Elimina el daño en las superficies de trabajo.

## Operación

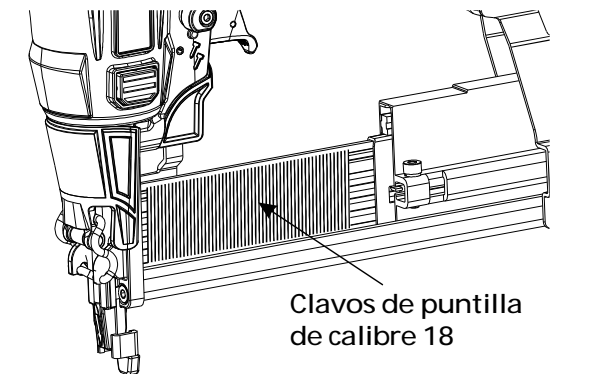
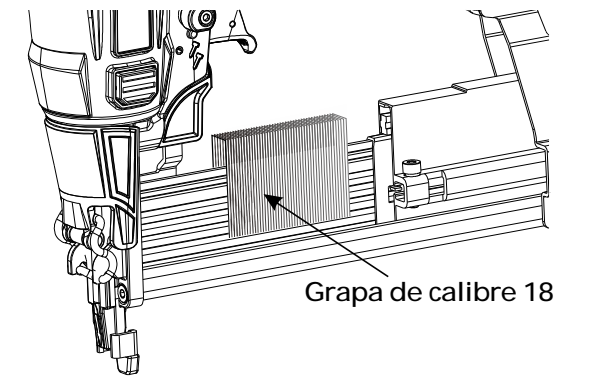
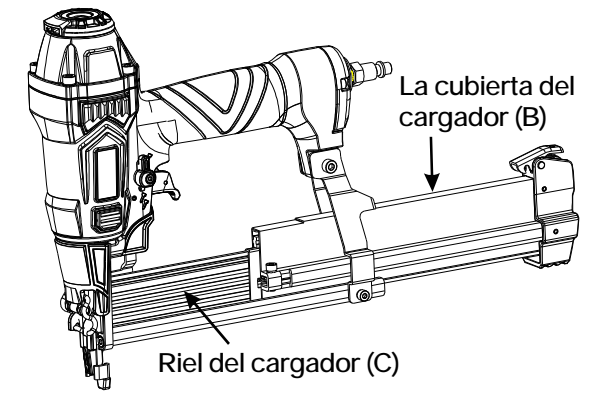
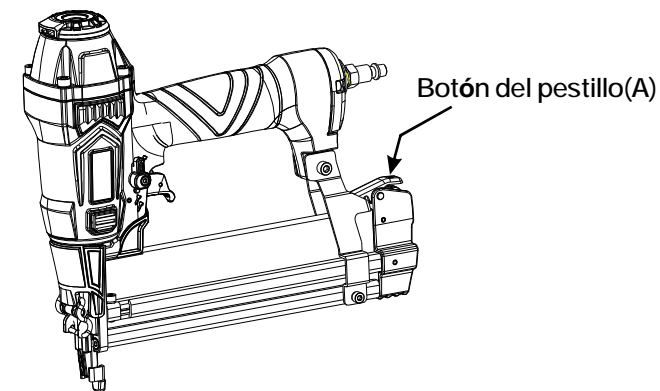
### 1 Cómo ajustar el escape

El escape ajustable en la cubierta de la herramienta permite a los usuarios controlar los escapes de acuerdo a las preferencias del operador. Para ajustar la dirección, gire la cubierta del tubo de escape a la dirección deseada.



### 2 Cómo cargar los sujetadores

- Conecte la herramienta a la fuente de aire.
- Presione el botón del pestillo (A) hacia abajo. Jale hacia atrás la cubierta del cargador (B).
- Para clavos: Inserte los sujetadores en el riel del cargador (C). Asegúrese de que los sujetadores permanezcan en el reborde posterior del cargador cuando realice la carga.
- Para las grapas: Coloque una barra de sujetadores en la parte superior del cargador.
- Asegúrese de que los sujetadores no estén sucios ni dañados.
- Presione la cubierta del cargador (B) hacia adelante hasta que el botón del pestillo emerja.



## Operación(Continuación)



**ADVERTENCIA:** La herramienta puede dispararse al ser conectada por primera vez a la fuente de aire. Conecta siempre la herramienta a la fuente de aire antes de cargar los fijadores para evitar lesiones causadas por ciclos accidentales. Asegúrate siempre de que el cargador de la herramienta esté vacío al comienzo de cada sesión de trabajo, antes de conectarla a una fuente de aire.



**ADVERTENCIA:** Mantenga la herramienta en dirección opuesta a usted y otras personas al cargar los sujetadores. No hacerlo podría provocar lesiones personales graves.



**ADVERTENCIA:** Use solamente los sujetadores recomendados para esta herramienta. Los sujetadores no identificados por el fabricante de la herramienta para usarse con la misma pueden causar lesiones a las personas o daños en la herramienta cuando se usan con ella.



**ADVERTENCIA:** Nunca cargue el sujetador con la pieza de trabajo en contacto o el gatillo activado. Esto podría provocar lesiones personales graves.

## 3 Cómo descargar los sujetadores

La descarga es lo opuesto a la carga. Siempre desconecte la fuente de aire antes de realizar la descarga.



**ADVERTENCIA:** Siempre descargue todos los sujetadores antes de retirar la herramienta del servicio.

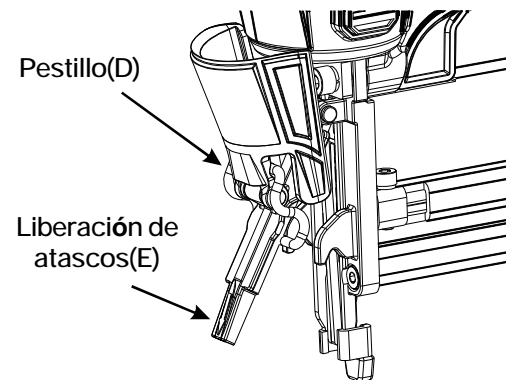


**ADVERTENCIA:** Siempre desconecte la fuente de aire antes de descargar.

## 4 Cómo retirar sujetadores atascados

En ocasiones, un sujetador puede atascarse en el mecanismo de disparo, dejando la herramienta inoperante. Para retirar el sujetador atascado, siga los siguientes pasos:

- Desconecta la herramienta de la fuente de aire.
- Retire los sujetadores de la herramienta. No hacerlo podría provocar que los sujetadores se expulsen desde la parte frontal de la herramienta.
- Jale el pestillo (D) hacia arriba y abra la liberación de atascos (E).
- Tenga cuidado de no doblar o dañar la hoja, si es necesario use pinzas o un destornillador para limpiar el sujetador atascado.
- Cierre la liberación de atascos y el pestillo.
- Después reconecta la fuente de aire a la herramienta.
- Vuelve a cargar la herramienta con fijadores.



**ADVERTENCIA :** Asegúrese de que no haya sujetadores en el cargador antes de retirar un sujetador atascado.



**ADVERTENCIA :** Desconecte la herramienta de la fuente de aire cada vez que retire un sujetador atascado. Luego de desconectar la herramienta del compresor de aire, debería haber suficiente presión de aire para disparar. Luego de desconectar la manguera de aire, siempre dispare la herramienta varias veces sobre un trozo de madera que no utilice para asegurarse de que se expenda todo el aire comprimido.

## Operación(Continuación)

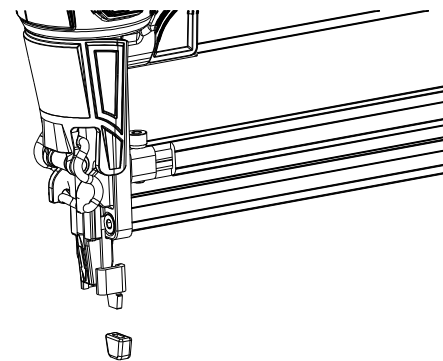
## 5 Almohadilla que no raya

La almohadilla que no raya que se encuentra adherida al extremo de la herramienta ayuda a evitar que se estropee y abolle al trabajar con maderas más blandas.



**ADVERTENCIA :** Desconecte la herramienta del suministro de aire antes de retirar o reemplazar la almohadilla que no raya. El incumplimiento de dicho paso podría provocar graves lesiones personales.

- Para retirar la almohadilla: Tire de la punta que no raya hacia la parte trasera de la herramienta, siguiendo la curva de la punta de alambre.
- Para reinstalar la almohadilla: Empuje la punta que no raya sobre la herramienta, insertando la abertura de dicha punta que no raya en la punta de alambre.



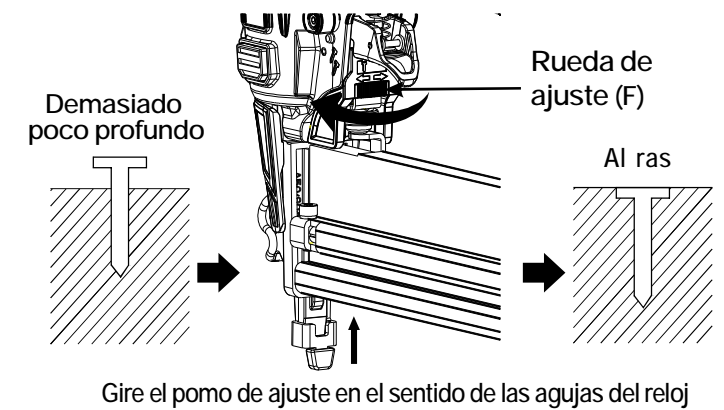
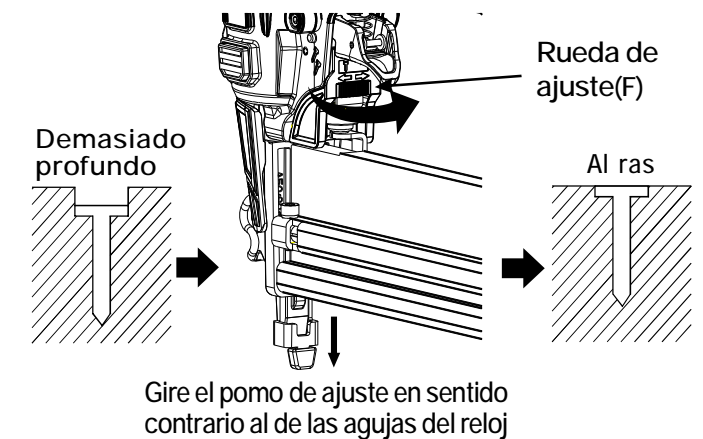
## 6 Cómo configurar la presión de aire

- La cantidad de presión de aire requerida depende del tamaño de los fijadores y del material de la pieza de trabajo.
- Comienza por comprobar la profundidad de clavado disparando un clavo de prueba hacia una pieza de trabajo del mismo material utilizado para el trabajo real.
- Dispara un fijador de prueba con la presión de aire configurada a 6,2-6,6 bar. Aumenta o reduce la presión de aire para hallar la configuración más baja posible para realizar el trabajo con resultados uniformes.
- Es posible que se pueda lograr la profundidad deseada ajustando únicamente la presión de aire.

## 7 Ajuste de profundidad

La profundidad de disparo de los sujetadores es ajustable. Para ajustar la profundidad, utilice la rueda de ajuste (F) de profundidad de disparo en la herramienta.

- Desconecta la herramienta de la fuente de aire.
- Gire la rueda de profundidad hacia la izquierda o hacia la derecha para cambiar profundidad de disparo.
- Después reconecta la fuente de aire a la herramienta.
- Dispare un clavo de prueba luego de realizar cada ajuste hasta establecer la profundidad deseada.



**PRECAUCIÓN:** Se recomienda probar la profundidad en una pieza de trabajo de desecho para determinar la profundidad requerida para la aplicación. Para determinar la profundidad de disparo, primero ajuste la presión de aire y dispare un sujetador de prueba. Nunca supere los 7,58 bar.

## Operación(Continuación)

### 8 Cómo activar la herramienta

La herramienta está equipada con un gatillo que puede seleccionar uno de los dos modos de disparo.

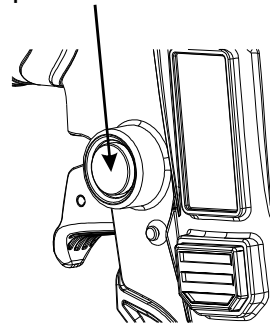
#### MODE DE DISPARO SECUENCIAL

La acción secuencial simple proporciona la colocación más precisa del sujetador. Este se considera un modo más restrictivo y seguro para usuarios con menos experiencia. Para utilizar la herramienta para clavar clavos en este modo de accionamiento, el elemento de contacto con la pieza de trabajo y el gatillo se deben usar en un orden específico.

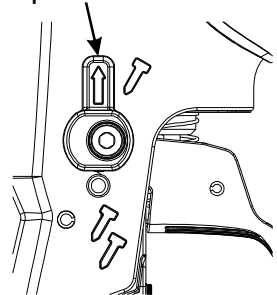
1. Desconecta la herramienta de la fuente de aire.
2. Presione el botón de modo de disparo seleccionable, gire el interruptor de modo de disparo seleccionable en la posición hacia arriba, el indicador de modo de disparo debería estar apuntando hacia el icono de clavo.
3. Conecta la herramienta de la fuente de aire.
4. El elemento de contacto con la pieza de trabajo se debe presionar completamente colocando la punta de la herramienta contra la pieza de trabajo.
5. Se debe tirar firmemente del gatillo y luego se debe soltar.
6. Se debe dejar que la herramienta retroceda alejándose de la pieza de trabajo.

Para continuar la utilización en otro lugar, mueva la herramienta a lo largo de la pieza de trabajo, repitiendo los pasos 4 a 6 según sea necesario.

Botón de modo de disparo seleccionable



Interruptor de modo de disparo seleccionable en la posición hacia arriba



Nota:

Primero tirar del gatillo, entonces presione el elemento de contacto de trabajo contra la superficie de trabajo, la clavadora NO PUEDE funcionar. Este se considera un modo más restrictivo y seguro para usuarios con menos experiencia.

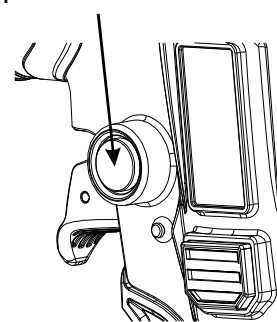
#### MODO DE ACCIÓN DE CONTACTO

La acción de contacto permite la colocación repetida del sujetador muy rápido.

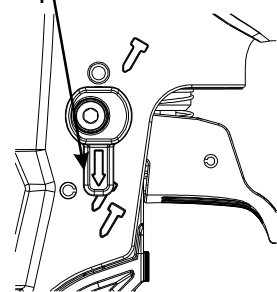
Para utilizar la herramienta para clavar clavos en este modo de accionamiento, el elemento de contacto con la pieza de trabajo y el gatillo se pueden accionar en cualquier orden.

1. Desconecta la herramienta de la fuente de aire.
2. Presione el botón de modo de disparo seleccionable, gire el interruptor de modo de disparo seleccionable en la posición hacia abajo. El indicador de modo de accionamiento debe estar apuntando hacia el icono de varios clavos.
3. Conecta la herramienta de la fuente de aire.
4. Tire del gatillo y siga tirando de él con la herramienta separada de la pieza de trabajo.
5. Presione el elemento de contacto con la pieza de trabajo contra la pieza de trabajo. Se clavarán un clavo.
6. Se debe dejar que la herramienta retroceda alejándose de la pieza de trabajo.
7. Mueva la herramienta a lo largo de la pieza de trabajo con un movimiento de rebote. Cada vez que se presione el elemento de contacto con la pieza de trabajo, se clavarán un clavo.
8. En cuanto se haya clavado el número deseado de clavos, retire el dedo del gatillo.

Botón de modo de disparo seleccionable



Interruptor de modo de disparo seleccionable en la posición hacia arriba



NOTA: Se recomienda este método cuando se requiere una colocación de clavos menos precisa.

Se deberá tener extremo cuidado porque siempre se colocará un clavo cuando el WCE se presiona contra cualquier superficie.

Como la herramienta puede activarse sin retirar el dedo del gatillo, éste se considera un modo menos restrictivo, adecuado para usuarios con más experiencia.



ADVERTENCIA: Retire el dedo del gatillo cuando no esté clavando clavos. Lieve siempre la herramienta solamente por el mango.

## Operación(Continuación)



ADVERTENCIA: Se debe dejar que la herramienta retroceda alejándose de la pieza de trabajo. No clave un clavo sobre otro clavo.



ADVERTENCIA: Durante el uso normal la herramienta se rebobinará de inmediato luego de accionar un sujetador. Esta es una función normal de la herramienta. No intente evitar la rebobinación sosteniendo la herramienta en contra del funcionamiento. La restricción para rebobinar puede provocar que se accione un segundo sujetador desde la herramienta. Sujete la manija firmemente y permita que la herramienta realice el trabajo. No seguir esta advertencia puede provocar graves lesiones personales.

## Mantenimiento



ADVERTENCIA: Antes de inspeccionar, dar mantenimiento y limpiar:

- Desconecta la herramienta de la fuente de aire.
- Vacía el cargador por completo.

### FUNCIÓN ANTIPOLVO

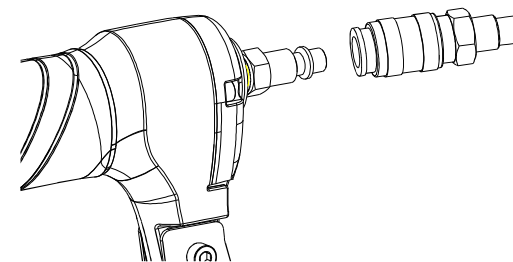
Todas las herramientas vienen con un tapón antipolvo en el conector de aire, verificalo si lo tienes después de desempacar la herramienta.

Mantén el tapón antipolvo para cubrir el conector de aire.

### LUBRICACIÓN

Frecuente, pero la lubricación es necesaria para un mejor rendimiento luego de periodos de uso prolongados. Si se agrega aceite a la herramienta a través de la conexión de la línea de aire se lubricarán las piezas internas.

- Desconecta la herramienta de la fuente de aire, a agregue lubricantes para herramientas.

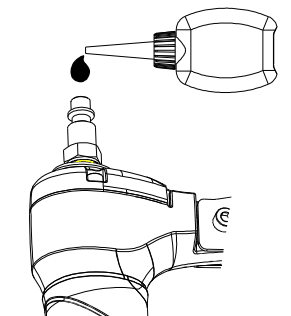


ADVERTENCIA: Siempre conozca el modo de funcionamiento de la herramienta antes de usarla, de lo contrario podría ocasionar lesiones personales graves o la muerte.

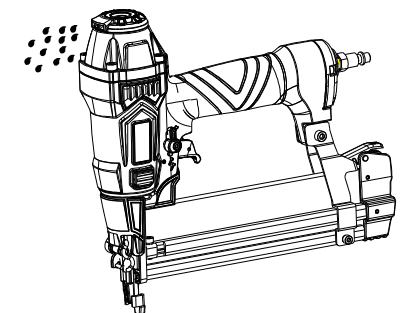


ADVERTENCIA: No se debe utilizar una herramienta que funciona de forma inadecuada. No accione la herramienta al menos que se encuentre colocada de forma firme en el lugar de trabajo.

- Gire la herramienta de forma tal que la entrada de aire dé hacia arriba. Coloque 2 a 3 gotas de aceite neumático de la herramienta de la cerradura en la entrada de aire. No utilices aceite detergente ni aditivos puesto que estos Lubricantes causarán el desgaste acelerado de los sellos y amortiguadores de la herramienta, lo que resultará en el mal funcionamiento de la misma y elevará la frecuencia del mantenimiento.



- Después de agregar el aceite, haga funcionar la herramienta por un breve periodo. Limpie el exceso de aceite de la salida de la cubierta.



## Mantenimiento(Continuación)



**PRECAUCIÓN:** Lubrica la herramienta únicamente con los lubricantes especificados.



**PRECAUCIÓN:** La lubricación excesiva puede dañar la superficie de trabajo. Es responsabilidad del propietario lubricar de forma adecuada. El incumplimiento de dicha tarea reducirá significativamente la vida útil de la herramienta y anulará la garantía.

### LIMPIEZA

Evita el uso de solventes para limpiar las piezas plásticas. La mayoría de los plásticos pueden dañarse con facilidad al usar varios tipos de solventes comerciales. Usa paños limpios para limpiar la suciedad, polvo, grasa, etc.

## Conexión recomendada

- El compresor de aire debe ser capaz de mantener un mínimo de 4,13 bar mientras la herramienta está en uso. Un suministro inadecuado de aire puede causar una pérdida de potencia y un clavado desigual.
- Se puede usar un lubricador para proporcionar circulación de aceite en toda la herramienta. Se puede usar un filtro para retirar las impurezas líquidas y sólidas, las que pueden oxidar piezas internas de la herramienta o hacer que éstas se apelmacen.
- Siempre use mangueras de aire comprimido con una clasificación de presión de trabajo igual o superior a la presión de la fuente de alimentación en caso que el regulador falle, o de 10,34 bar, el que sea mayor. Use mangueras de aire comprimido de 3/8" (9,53 mm) para distancias de hasta 15,24 m y use un acoplador de conexión rápida de 3/8" (9,53 mm) en la manguera de aire comprimido.

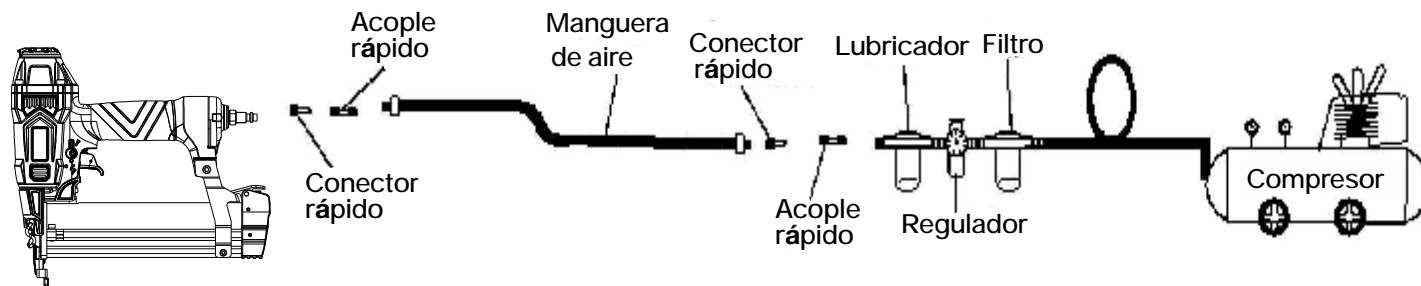
- Use un regulador de presión en el compresor con una presión de trabajo de 0 a 8,62 bar. Se necesita un regulador de presión que controle la presión de trabajo de la herramienta entre 4,13 bar y 7,58 bar.



**PRECAUCIÓN:** El compresor de aire debe ser capaz de mantener un mínimo de 4,13 bar mientras la herramienta está en uso. Un suministro inadecuado de aire puede causar una pérdida de potencia y un clavado desigual.



**ADVERTENCIA :** No conectes la herramienta a un compresor de aire que pueda exceder las 13,79 bar. La herramienta podría explotar y posiblemente provocar lesiones.



## Solución de problemas



**ADVERTENCIA:** Deje de utilizar inmediatamente la herramienta si se presenta alguno de los problemas descritos a continuación, de lo contrario podrían ocurrir lesiones personales graves. Cualquier reparación o reemplazo debe llevarse a cabo por un técnico calificado o un centro de servicio autorizado.

Problema	Causa posible	Acciones correctivas
Fuga de aire en el de la válvula del gatillo.	Las juntas tóricas en el armazón de la válvula del gatillo están dañadas.	Cambie las juntas tóricas.
Fuga de aire entre el armazón y el borde.	<input type="checkbox"/> Hay tornillos flojos en el armazón. <input type="checkbox"/> Juntas tóricas dañadas. <input type="checkbox"/> Protector dañado.	<input type="checkbox"/> Apriete los tornillos. <input type="checkbox"/> Cambie las juntas tóricas. <input type="checkbox"/> Cambie el protector.
Fuga de aire entre el armazón y la cubierta.	<input type="checkbox"/> Tornillos sueltos. <input type="checkbox"/> Empaquetadura dañada.	<input type="checkbox"/> Apriete los tornillos. <input type="checkbox"/> Cambie la empaquetadura.
La herramienta omite colocar sujetadores.	<input type="checkbox"/> Protector desgastado. <input type="checkbox"/> Suciedad en la pieza del borde. <input type="checkbox"/> Hay suciedad o daños que evitan que los sujetadores o el disparador se desplacen libremente en el cargador. <input type="checkbox"/> El resorte del disparador está dañado. <input type="checkbox"/> Flujo de aire hacia la herramienta incorrecto. <input type="checkbox"/> Desgaste de la junta tórica en el pistón o falta de lubricación. <input type="checkbox"/> Las juntas tóricas en la válvula del gatillo están dañadas. <input type="checkbox"/> Hay fuga de aire. <input type="checkbox"/> Hay fuga en el sello de la cubierta.	<input type="checkbox"/> Cambie el protector. <input type="checkbox"/> Limpie la canaleta de disparo. <input type="checkbox"/> Limpie el cargador. <input type="checkbox"/> Cambie el resorte. <input type="checkbox"/> Revise los conectores, la manguera o el compresor. <input type="checkbox"/> Cambie y lubrique las juntas tóricas.  <input type="checkbox"/> Cambie las juntas tóricas. <input type="checkbox"/> Apriete los tornillos y los conectores.  <input type="checkbox"/> Reemplace la empaquetadura.
La herramienta pierde velocidad o potencia.	<input type="checkbox"/> La herramienta no cuenta con suficiente lubricación. <input type="checkbox"/> Hay un resorte roto en la cubierta del cilindro. <input type="checkbox"/> EL puerto de descarga en la cubierta está bloqueado.	<input type="checkbox"/> Lubrique la clavadora. <input type="checkbox"/> Cambie el resorte. <input type="checkbox"/> Cambie las piezas internas dañadas.
Los sujetadores se atascan en la herramienta.	<input type="checkbox"/> La guía de disparo está desgastada. <input type="checkbox"/> Los sujetadores no son del tamaño apropiado. <input type="checkbox"/> Los sujetadores están torcidos. <input type="checkbox"/> El cargador o los tornillos del borde están flojos. <input type="checkbox"/> El mecanismo de disparo está dañado.	<input type="checkbox"/> Cambie la guía. <input type="checkbox"/> Use únicamente los sujetadores recomendados. <input type="checkbox"/> Cambie por sujetadores en buena condición. <input type="checkbox"/> Apriete los tornillos. <input type="checkbox"/> Cambie el mecanismo de disparo.