



ELECTRIC PRESSURE WASHER

Model BIOP

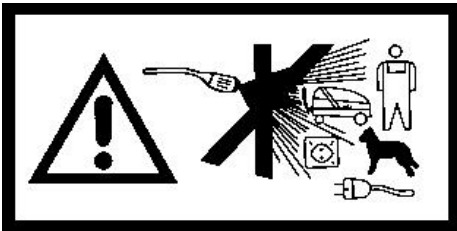


CAUTION : All Operators Must Read These Instructions Before Use.

IMPORTANT!

Safety Instructions

- The appliance has been designed solely for private use outdoors and not for commercial use. Keep this appliance away from heat, direct sunlight, moisture and rain, ice and sharp edges.
- Do not allow anybody that has not been trained to use a pressure washer to operate the machine without first reading the instruction manual.
- **WARNING!** High-pressure washers must not be used by children or untrained persons.
- Before starting your machine, carefully check for defects. If you find any, do not start your machine and contact your local distributor.
- In particular, ensure that the electric cable insulation is in perfect condition and free of cracks. If the electric cable is damaged, an approved local service center must replace it.
- **WARNING!** High pressure jets can be dangerous if they are used incorrectly. The jet must not be directed towards persons, electrical equipment connected to the mains or the appliance itself.



- **WARNING!** Do not use the appliance close to other people unless they are wearing protective clothing.
- **CAUTION!** Do not direct the jet towards yourself or other persons to clean clothing or shoes.
- Hold the lance firmly in your hands.

- The operator and persons within close proximity to the cleaning area must take necessary measures to protect themselves from dislodged debris when in use.
- Wear protective gloves and clothing during use.
- **WARNING!** The appliance has been designed for use with pressure washer detergent. Using other cleaning products or chemical products may affect the safety of the appliance.
- **WARNING!** Disconnect the appliance from the power supply before carrying out any maintenance.
- **CAUTION!** To ensure the safety of the appliance, only use spare parts supplied or approved by the manufacturer.
- Do not use the appliance if the power cable or important parts of the appliance are damaged, for example, the safety device, high pressure hose and handgun.
- Do not use the appliance with wet hands. If the appliance is damp or wet, unplug it immediately. Do not place it in water.
- The tyres and valves on the tyres can be damaged by the high pressure jet and could burst.
- Never use the machine in an environment where there is a danger of explosion.
- It is forbidden to clean surfaces containing asbestos at high pressure.
- This high-pressure washer must not be used in temperatures below 0 ° C.
- **CAUTION!** The hoses, accessories and high pressure couplings are important for the safety of the machine. Only use hoses, accessories and couplings recommended by the manufacturer.
- **WARNING!** Inadequate extension cables may be dangerous. Cables and spools must always be completely unwound to avoid letting the cable overheat.

- If an extension cable is used, the plug and socket must be waterproof and conform to the requirements below regarding the length and dimensions of the cable.
 - 1,0 mm² max. 12,5 m
 - 1,5mm²max.20 m
- If the power cable is damaged, it must be replaced by the manufacturer, their service agent or a qualified professional in order to avoid any danger.
- **WARNING!** This machine is not designed to be used by persons (including children) with reduced physical, sensory or mental capacities or whose lack experience or knowledge.
- **WARNING!** It is advisable that you supervise children to ensure that they do not play with the appliance.
- CAUTION – Risk of explosion – do not spray flammable liquids, do not direct the jet towards flammable liquids.
- **WARNING!** Water that has circulated in the anti-back flow system is not considered drinkable.
- **WARNING!** Do not use the appliance if the power cable or important parts of the appliance are damaged, for example, the safety devices, high pressure hoses and handgun.
- **WARNING!** If you have an extension cable, it must be waterproof.
- **WARNING!** When you switch on the machine, a recoil movement is produced due to the force of the water jet. Use two hands to control the lance. Wear safety gloves when using the appliance. Wear suitable protective clothing.
- In case of accidental contact with detergent, wash with water. If the liquid comes into contact with the eyes, also seek medical assistance (the detergent can cause irritations or burns).
- In the event that the appliance breaks down, do not attempt to repair it yourself but contact a professional technician to avoid any danger.

Main power connection

The following must be observed when connecting the high pressure washer to the power supply:

- Connecting the electrical connection should be done by a qualified electrician conforming to 60364-1 CEI.
- It is recommended that the electrical supply to this machine should comprise a residual current device which interrupts the current if the leakage current exceeds 30 ma for 30ms.

CONNECTING TO THE WATER NETWORK WARNING

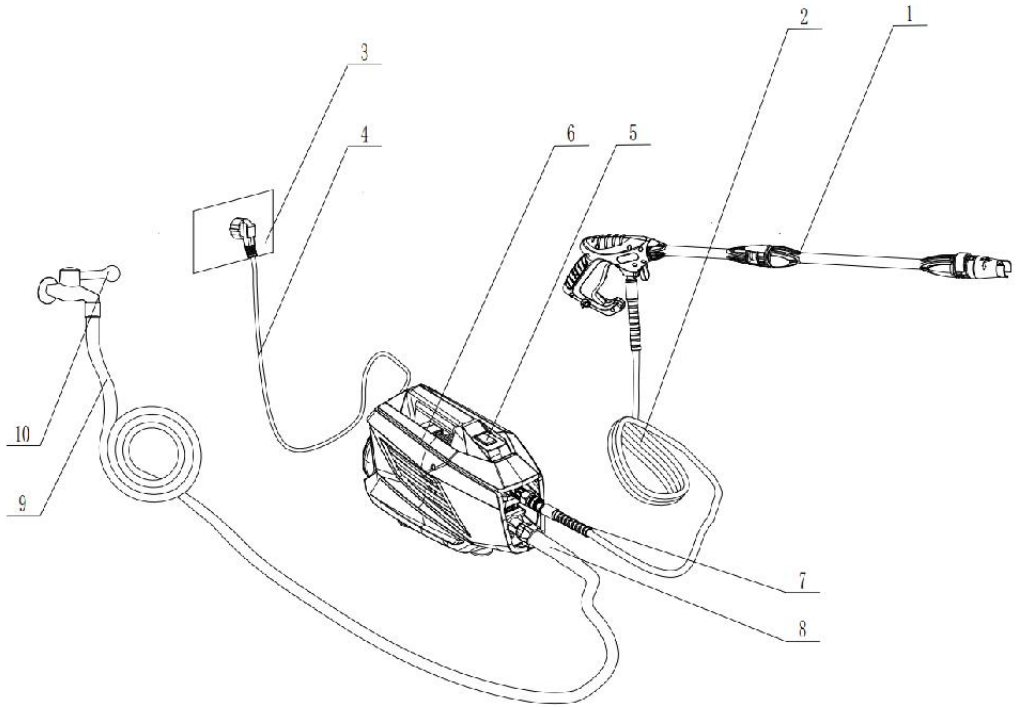


According to current guidelines, the unit must never be operated without a system separator on the potable water system. Use a EN 12729 type BA system separator. Water that passes through a system separator is classified as non-potable.

WARNING! Always connect the system separator to the water supply and never directly to the device!

Know Your Electric Pressure Washer

Read the operator's manual and safety instructions carefully before operating the electric pressure washer. Compare the illustration below to the electric pressure washer in order to familiarize yourself with the location of the various controls and adjustments. Save this manual for future reference.



- 1. Spray gun with nozzle
- 2. High pressure hose
- 3. Outlet
- 4. Power cable
- 5. On/Off switch

- 6. Main machine
- 7. Out-let connector
- 8. In-let connector
- 9. Water inlet hose
- 10. Water faucet

Product Description

Purpose

- This high-pressure electric power washer is intended for residential use to clean vehicles, machines, buildings, facades, etc.

Areas of application

- Never use the machine in potentially explosive areas under any circumstances!
- The operating temperature must be between 32°F (0°C) and 104°F (40°C).
- The machine consists of an assembly with a pump, which is encased in a shock-absorbing housing. To provide the operator with an optimal working position, the machine is equipped with a spray lance and a non-slip handle grip, whose shape and configuration comply with applicable regulations.
- Do not cover or modify the spray lance or the spray nozzles in any way.
- The high-pressure electric power washer is designed to be used with cold water; higher temperatures can damage the pump.
- Do not use water that is dirty, gritty, or contains any chemical products, as these could impair operation and shorten the life of the machine.

- detergent bottle
- Water inlet pipe
- Power cord
- Trigger gun holder
- Hose holder
- Needle clean out tool
- Two small screws
- Wrench
- Garden hose adaptor (female coupler) with two sealing rings
- Manual with registration card

1. Carefully remove the pressure washer and check to see that all of the above items are supplied.
2. Inspect the product carefully to make sure no breakage or damage occurred during shipping. If you find damaged or missing parts, DO NOT return the unit to the store. Please call the Realm® customer service center (1-888-899-1688).

NOTE! Do not discard the shipping carton and packaging material until you are ready to use your new electric pressure washer. The packaging is made of recyclable materials. Properly dispose of these materials in accordance with local regulations.

IMPORTANT!

The equipment and packaging material are not toys. Do not let children play with plastic bags, foils, or small parts. These items can be swallowed and pose a suffocation risk!

WARNING! Do not connect to power supply until assembly is complete. Failure to comply could result in accidental starting and possible serious personal injury.

Unpacking

Carton Contents

- Pressure washer unit
- High pressure hose
- Handle
- Spray gun
- normal nozzles

Technical data

Motor	Induction
Max. pressure	2400PSI
Max flow	1.5GPM
Current	14.5A
Voltage	120V~/60Hz
Vibration gun	Max 1.90 m/s ²
Max. Water Inlet Temperature	104°F/40°C

Assembly

1. Position the washer as CLOSE as possible to the water supply.
2. Install water in-let hose (Fig. 1).

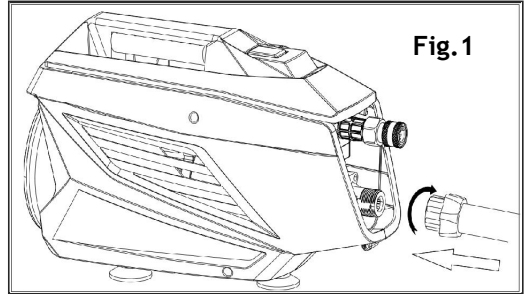
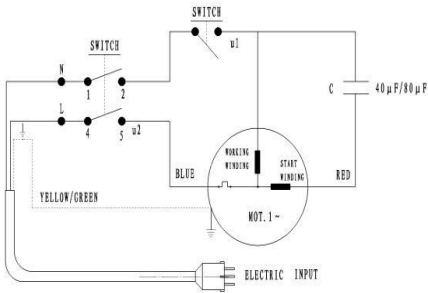


Fig. 1

The Circuitry



3. Confirm water can get out (Fig. 2).

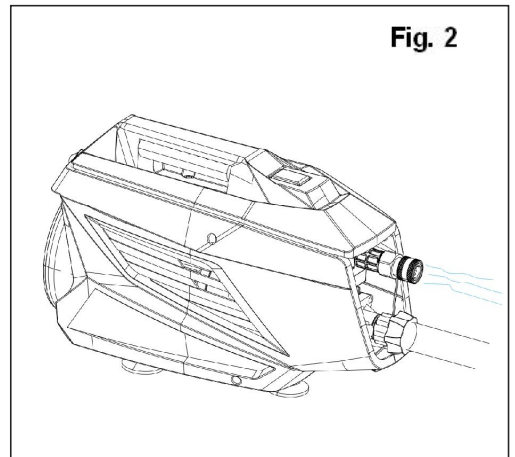


Fig. 2

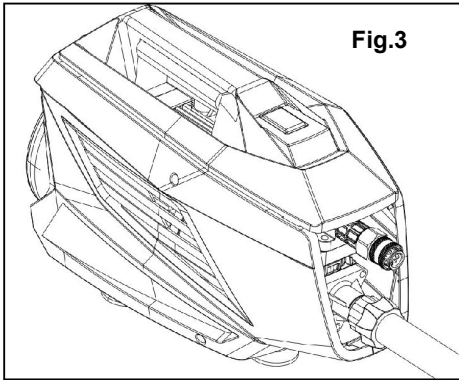
SAFETY DEVICES

The unloader valve can reduce pressure if it exceeds pre-set values. Locking device on trigger gun (see illustration at the beginning of this manual)! The trigger gun features a locking device. When the knob is activated, the trigger gun cannot be operated.

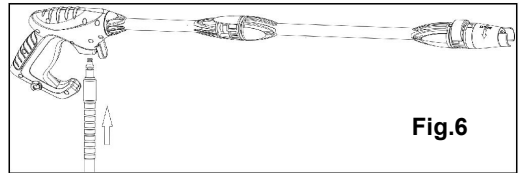
THERMAL SENSOR

A thermal sensor protects the motor against overloading. The machine will restart after a few minutes when the thermal sensor has cooled.

4. Unscrew the outlet hose connection (Fig. 3)
Install out-let high pressure hose (Fig.4)



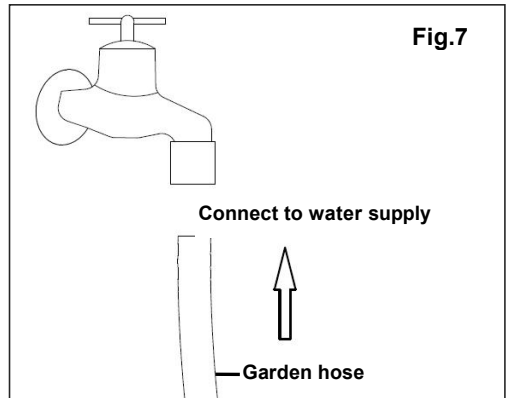
6. Connect the high-pressure hose to the spray gun (Fig. 6).



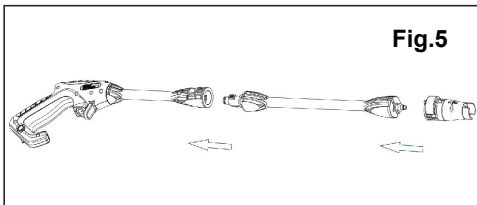
WARNING! Keep hose away from sharp objects. Bursting hoses may cause injury. Examine hoses regularly and replace if damaged. Do not attempt to mend a damaged hose.

NOTE: The machine is not suitable for connection to a potable water main.

7. Attach garden hose to water supply (Fig. 7).



5. Screw the spray lance into the spray gun and rotate it until the two parts are completely locked. (Fig. 5)



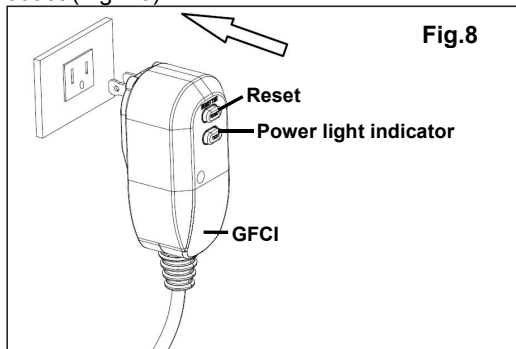
WARNING! The intake water temperature must not exceed 104°F/40°C.

CAUTION! The washer must only be used with clean water; use of unfiltered water containing corrosive chemicals will damage the washer.

Let the water run through the water hose before connecting it to the machine to prevent sand and dirt from penetrating the machine.

NOTE: Check that the filter is fitted in the garden hose adaptor and that it is not clogged up.

8. Check that the electrical supply voltage and frequency (Volt/Hz) correspond to those specified on the pressure washer rating plate. If the power supply is correct, you may now plug the pressure washer into the power outlet (Fig. 10).



NOTE: The GFCI may need to be reset when first plugged into the electric outlet. Press the "Reset" button until the power light indicator on the GFCI illuminates.

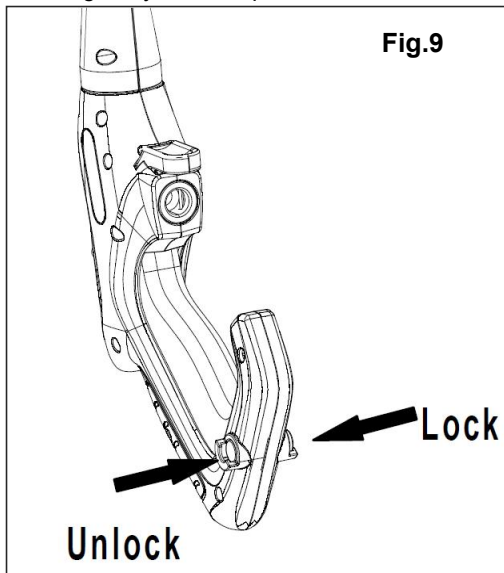
Operation

IMPORTANT! This pressure washer is equipped with a micro-switch sensitive to water flow. This Total Stop System (TSS) senses water flow in the pump. When the trigger is released, water stops flowing through the pump. The TSS then automatically turns the motor off to protect the pump from overheating, thus saving energy and prolonging pump life.

CAUTION! The trigger gun and lance is affected by a thrust during operation, therefore always hold it firmly with both hands. Point the spray gun at the ground.

Check that the machine is in upright position. Do not place the machine in high grass!

1. Turn the water supply tap on completely.
2. Release the trigger lock.(Fig.9) .Press the trigger for a few seconds until water flow is steady. This will allow air to escape and discharge any residual pressure in the hose.



Using the nozzles

Before beginning any cleaning task, determine the best nozzle for the job. Each of the nozzles has a different spray pattern.

CAUTION! NEVER change nozzles without locking the safety lock on the trigger handle.

WARNING! High-pressure jets can be dangerous if subject to misuse. The jet must not be directed at persons, pets, live electrical equipment, or the appliance itself.

To connect a nozzle to the spray lance:

1. Turn off the pressure washer and shut off the water supply. Pull the trigger to release water pressure.
2. Engage the safety lock on the trigger handle

by pushing right on the safety lock(Fig.9).

3. Snap the desired nozzle into the spray lance tight.

To disconnect a nozzle from the spray lance once the cleaning job is complete:

4. Turn off the pressure washer and shut off the water supply. Pull the trigger to release water pressure.

5. Engage the safety lock on the trigger handle by pushing right on the safety lock(Fig.9).

6. Remove the nozzle from the spray lance.

WARNING! Do not make changes to the nozzle while the trigger is engaged. Doing so could result in damage to the pressure washer or injury to the user.

Working with detergents

When cleaning with the pressure washer, some cleaning tasks can be solved with water alone, but for most tasks cleaning with detergent allows for more effective dirt removal.

WARNING! Use only detergents designed for Pressure Washers. **DO NOT USE** household detergents, acids, alkaline solutions, bleaches, solvents, flammable material, or industrial grade solutions. These could damage the pressure washer. Many detergents may require mixing prior to use. Prepare the cleaning solution as instructed on the solution bottle.

1. Remove the cap from the detergent bottle and fill it with detergent designed specifically for use with pressure washers (Fig. 10).

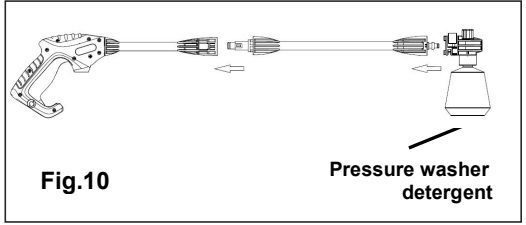


Fig.10

2. Install the Soap nozzle (black) on the spray gun.

CAUTION! Always test the detergent in an inconspicuous area before use.

3. Turn on the pressure washer. Pull the trigger to operate the unit. The liquid detergent will automatically mix with water and be discharged through the nozzle.

4. Apply detergent from the bottom to the top of the dry surface to be cleaned.

NOTE: Wetting the surface first is not recommended as it dilutes the detergent and reduces its cleaning ability.

5. Allow the detergent to remain on the surface for a short time before rinsing. Do not allow the detergent to dry on the surface.

CAUTION! Damage may occur to painted surfaces if the detergent is allowed to dry on the surface. Wash and rinse a small section at a time. Avoid working on hot surfaces or in direct sunlight.

6. When you have finished using the detergent injection system, insert the bottle detergent with fresh water. Siphon water at low-pressure for one minute to rinse the bottle until it is thoroughly cleaned.

CAUTION! Failure to follow these cleaning instructions will cause the injection system to become clogged and inoperable.

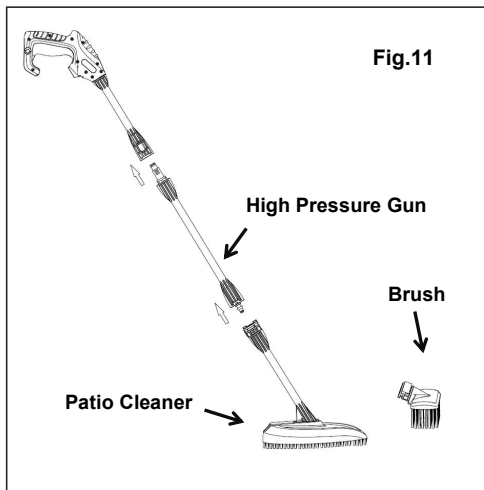
Working with Patio Cleaner and Brush(optional)

The patio cleaner and brush is a powerful accessory for cleaning patio, driveways, car, etc.

A quick-connect adaptor is required when working with patio cleaner and brush.

To connect a patio cleaner to the spray lance:

1. Turn off the pressure washer and shut off the water supply. Pull the trigger to release water pressure.
2. Engage the safety lock on the trigger handle by pushing right on the safety lock(Fig.11).
3. Remove the nozzle from the spray lance.
4. Snap the quick-connect adaptor into the spray lance tight, then connect the patio cleaner or brush to the another end of adaptor tight.



To disconnect the patio cleaner or brush from the spray lance once the cleaning job is complete:

5. Turn off the pressure washer and shut off the water supply. Pull the trigger to release water pressure.

6. Engage the safety lock on the trigger handle by pushing right on the safety lock(Fig.11).

7. Remove the patio cleaner or brush from the spray lance.

NOTE: Do not use the patio cleaner and brush as a broom but let it surf smoothly over the surface.

Rinsing with the pressure washer

1. Turn off the pressure washer and shut off the water supply.

2. Pull the trigger to release water pressure.

3. Engage the safety lock on the trigger handle by pushing right on the safety lock.

4. Remove the nozzle from the spray lance and storage them on the washer unit.

i) The 0° intense-jet nozzle (red) is an extremely powerful nozzle that delivers a high-pressure, pencil- point jet stream. It is used to cut heavy dirt deposits in a small, concentrated area. It is ideal for dissolving stubborn substances, like tar and grease spots on concrete, or for removing caked mud from equipment. Use this nozzle to clean hard-to-reach areas including the facades of 2-story buildings or the undersides of lawn mowers and tractors.

NOTE: Care should be used when choosing the right nozzle to avoid permanently gouging wood or damaging fragile surfaces.

ii) Use the 15° fan-tip nozzle (yellow) for intense cleaning jobs on hard surfaces. Applications include stripping paint,

removing oil stains, grease, heavy mildew stains, and rust from steel. This nozzle should only be used in areas that can withstand the high-pressure from this nozzle.

iii) Use the 25° fan-tip nozzle (green) to clean home siding, brick patios, wood decks, driveways, or sidewalks. When using this nozzle, test a small area first to avoid surface damage.

iv) Use the 40° wide-spray tip nozzle (white) to clean items such as cars, trucks, boats, patio furniture, or lawn equipment.

v) Use the Soap nozzle (black) for low-pressure detergent application to clean equipment, remove mildew and oxidation stains from houses, clean bricks or degrease grimy surfaces.

NOTE: When using detergent, make sure that the correct Soap nozzle (black) is installed. All of the other colored nozzles will not work for detergent application.

6. Start at the top of the area to be rinsed and work down, making sure to overlap the strokes.

IMPORTANT! NEVER USE:

- Bleach, chlorine products, and other corrosive chemicals
- Liquids containing solvents (e.g. paint thinners, gasoline, oils)
- Tri-sodium phosphate products
- Ammonia products
- Acid-based products

These chemicals will harm the unit and will damage the cleaning surface.

Shutting down

1. Turn the switch to the OFF position and unplug the power cord from the

outlet.

2. Turn off the water source.
3. Hold the trigger to release water pressure.
4. Disconnect the garden hose from the water inlet on the unit.
5. Disconnect the high pressure hose connection on the trigger gun handle.
6. Release the trigger and engage the gun safety lock.

WARNING! Turn off the water supply and squeeze the trigger to depressurize the unit. Failure to do so could result in personal injury due to discharge of high-pressure water.

Storage

CAUTION! Always store your pressure washer in a location where the temperature will not fall below 32°F (0°C). The pump in this machine is susceptible to permanent damage if it freezes. **FREEZE DAMAGE IS NOT COVERED BY THE WARRANTY.**

- Store the pressure washer indoors in a dry, covered area where it is not subject to adverse weather conditions.
- It is important to store this product in a frost-free area.
- Always empty water from all hoses, the pump, and the detergent bottle before storing.

Winterizing and long-term storage

- If you must store your pressure washer in a location where the temperature falls below 32°F (0°C), you can minimize the chance of damage to your machine by utilizing the following procedure:

- Disconnect all water connections.
- Turn on the machine for a few seconds until the remaining water in the pump exits. Turn off immediately.
- Do not allow the high-pressure hose to become kinked.
- Store the machine and accessories in a room that does not reach freezing temperatures.
- Do not store near a furnace or other sources of heat that may dry out the pump seals.
- Operate the pressure washer with non-corrosive/non-toxic anti-freeze, a pump saver, or a pump protector before storing for the winter.

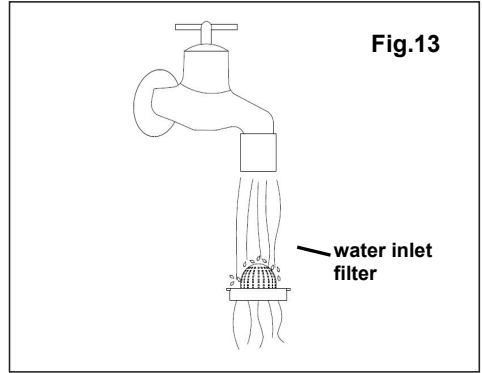
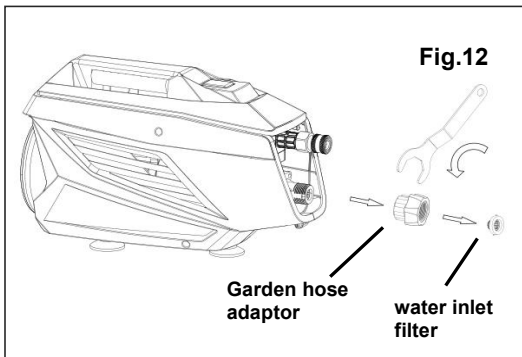
WARNING! Before reusing, completely flush the unit out with clear water. Anti-freeze products can damage paintwork, so you must ensure there is no anti-freeze left in the system before using it again.

Maintenance

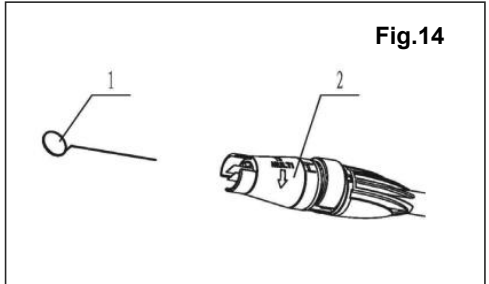
CAUTION! Before working on the pressure washer, disconnect the plug from the power supply socket.

1. To ensure good performance, check and clean the water inlet filter (Fig. 12).

Remove the filter and rinse with water to prevent any foreign matter from clogging the pump (Fig. 13).



2. Clean the nozzle with the needle clean out tool provided (Fig. 14). Remove the spray lance from the gun; remove any dirt from the nozzle hole and rinse.



3. Remove additional debris by back flushing water through the nozzle and spray lance. To do this, place the end of your garden hose (with water running) to the tip of the nozzle, pushing water and debris out of the back opening of the nozzle and spray lance.
4. Keep the machine clean and let cooling air pass freely through the machine vents.
5. To ensure an easy connection and that o-rings do not dry up; the couplings should be greased regularly.

Environmental protection

Old appliances contain valuable materials that can be recycled. Please arrange for the proper recycling of old appliances. Please dispose your old appliances using appropriate collection systems.

Troubleshooting

Problems	Possible Cause	Possible Solution
Machine refuses to start	The machine is not plugged-in	Plug the machine in
	Faulty receptacle	Try another receptacle
	The fuse has blown	Replace the fuse Unplug other appliances
	Faulty extension cable	Try without the extension cable
Fluctuating pressure	The pump is drawing in air	Check that hoses and connections are airtight.
	Valves dirty, worn or sticking	Contact your service center
	The water supply is not sufficient	Increase water pressure, check for blockages and / or change the large pipe.
	Pump seals worn	Contact your nearest service center
Machine stops	The fuse has blown	Replace the fuse
	Incorrect mains voltage	Unplug other appliances Check that the mains voltage corresponds to the specifications on the nameplate
	Thermal sensor activated	Leave the machine to cool for 5 mins
	Partially blocked jet	Clean the jet with a needle and by spraying water rearwardly through the jet
Fuse blows	Fuse too small	Replace it with a fuse with higher amp consumption than the washer.
	Increase in the amperage	Try without the extension cable
Machine pulsating	Air in inlet hose / pump	Allow machine to run with open trigger until regular working pressure resumes.
	Inadequate supply of water generated	Increase water pressure, check for blockages and / or change the large pipe.
	Partially blocked jet	Clean the jet with a needle and by spraying water rearwardly through the jet.
	Water filter blocked	Clean the filter
	Folded pipe	Unfold the pipe
Machine turns on and off by itself	Pump fuse and/or trigger out of order	Contact your nearest service center
	No water supply	Connect the inflow water.
Machine is on but no water comes out	Water filter blocked	Clean the filter
	Blocked jet	Clean the jet with a needle and by spraying water rearwardly through the jet

Limited 2 year warranty Electric pressure washer



This Realm® product is warranted by Realm Import And Export (USA) INC. to the original purchaser for two years against defects in workmanship and materials when used for normal residential purposes. The defective product will be replaced or repaired at no charge in either of two ways, and subject to the conditions, limitations, and exclusions noted below.

Limitations

- Electric motors and pumps carry a two (2) year warranty.
- Frames, handles and other structural components carry a two (2) year warranty.
- Electrical components, switches, etc. will be warranted for two (2) yea warranty.
- Standard accessories and attachments are warranted for a ninety (90) day period.
- Any commercial, industrial or rental use of this equipment will reduce the warranty to thirty (30) days.

The warranty period is calculated from the date of original purchase.

Exclusions

- Damages caused by misuse, neglect, accident, abuse, improper handling, freezing, normal wear and tear or non-compliance with operator's manual.
- Damage caused by water sediment, contaminated water supply or use of chemicals and detergents improperly.
- Damage caused by acts of nature such as floods, fires, earthquakes, lightning strikes, etc.
- Devices or accessories not distributed or approved by Realm are not covered by this warranty.

This warranty is non-transferable and applies only to products purchases through a Realm® authorized reseller. This warranty gives you specific legal rights in the United States. You may have other rights, which vary by country and state/province.

If you wish to contact Realm, please direct inquiries to the Realm USA Office:

101 wales avenue, Avon, MA 02322, United States
Service Hotline: 1-888-899-1688
Email: info@realmimportexport.com



WEEE - Waste of Electric and Electronic Equipment



The symbol on the product or on its packing indicates that this product may not be treated as household waste. Instead it shall be handed over. To the applicable collection point for the recycling of electrical and electronic equipment. By ensuring this product is disposed of correctly, you will help prevent potential negative consequences for the environment and human health, which could otherwise be caused by inappropriate waste handling of this product. For more detailed information about recycling of this product, please contact your local city office, your household waste disposal service or the shop where you purchased the product.

101 wales avenue,Avon,MA 02322,United States
Service Hotline: 1-888-899-1688
Email: info@realmimportexport.com