

HyLoft®

Unique Storage

HyLoft's heavy duty shelving systems have patented low-profile brackets so that you can store more items without a large infringing bracket. Each shelf can support up to 150 lbs. All of our products feature a scratch resistant white powder coat finish. Shelves are 15" x 45". There are two shelves per box.



HyLoft's Add-On Storage Hooks add even more versatility to the already popular ceiling storage unit. These hooks hang from any HyLoft Ceiling or Wall mounted unit. They can be used to hang bikes, bags, sports equipment, lawn and garden items, extension cords, and so much more. Each hook is 4" x 6.5", and there are 4 hooks in each package.

HyLoft's Add-On Storage Racks provide endless ways to maximize space and neatly store miscellaneous items. Hang a ladder, lawn tools, lumber, surfboard or any other long items. These hanging racks will attach securely to any HyLoft ceiling or wall storage unit. Each rack is 10" x 32", there are two racks per package.



Accessories

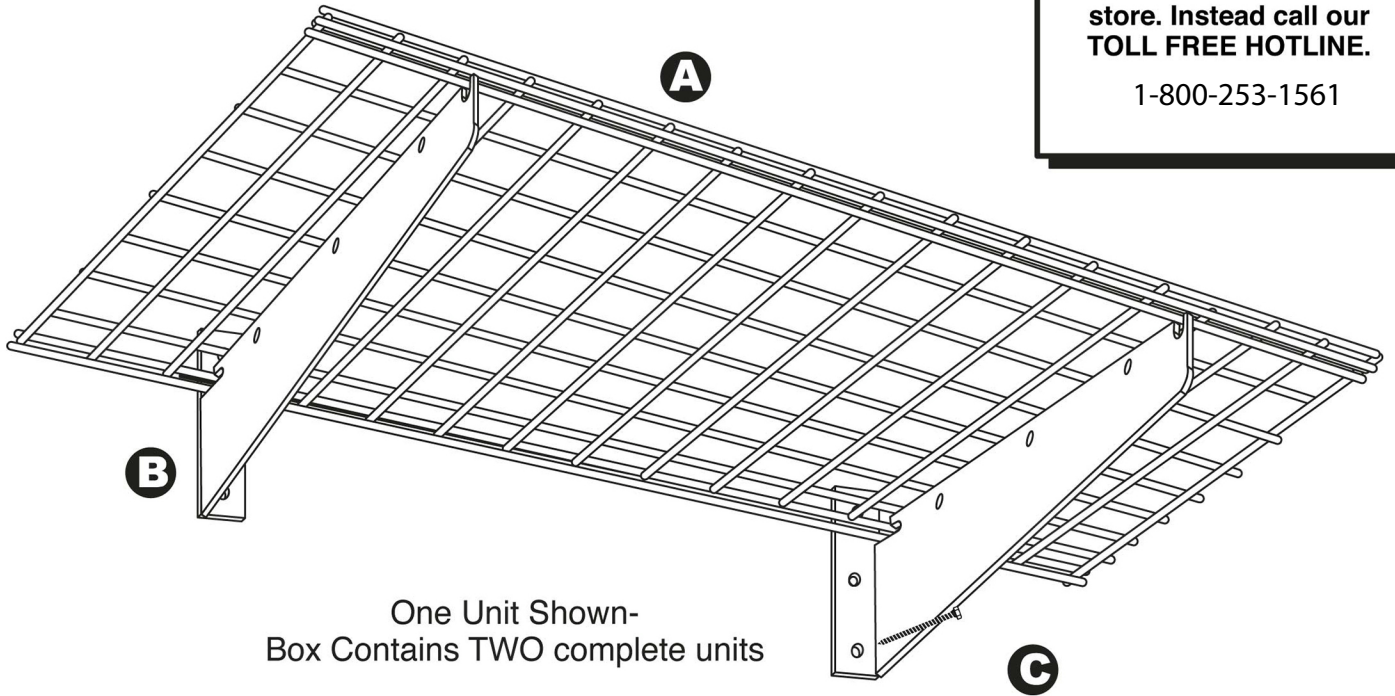
INSTALLATION INSTRUCTIONS

HyLoft 24" x 48" Heavy Duty Shelf

MISSING A PART?

There is no need to return this item to the store. Instead call our TOLL FREE HOTLINE.

1-800-253-1561



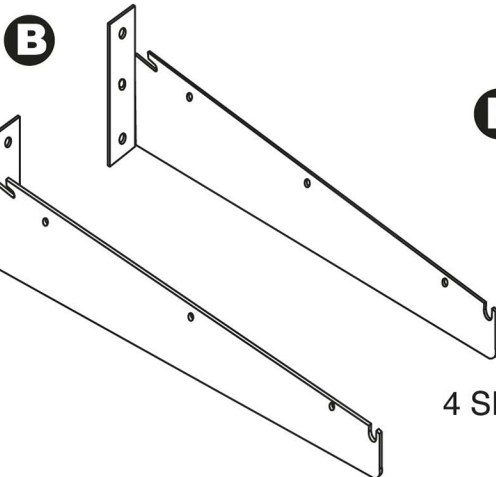
Tools Required:

- 7/16" Wrench(11 mm)
- Stud Finder
- Drill and 3/16"(5 mm) drill bit
- 7/16"(11 mm) Socket Wrench or Nut Driver
- Tape Measure
- Pencil

Parts Included:

A 2 wire grids

C  12 Lag Screws
5/16" X 2 1/2" (8mm x 63mm)



D  10 Plastic Tie Straps

4 Shelf Brackets-2 lefts
and 2 rights

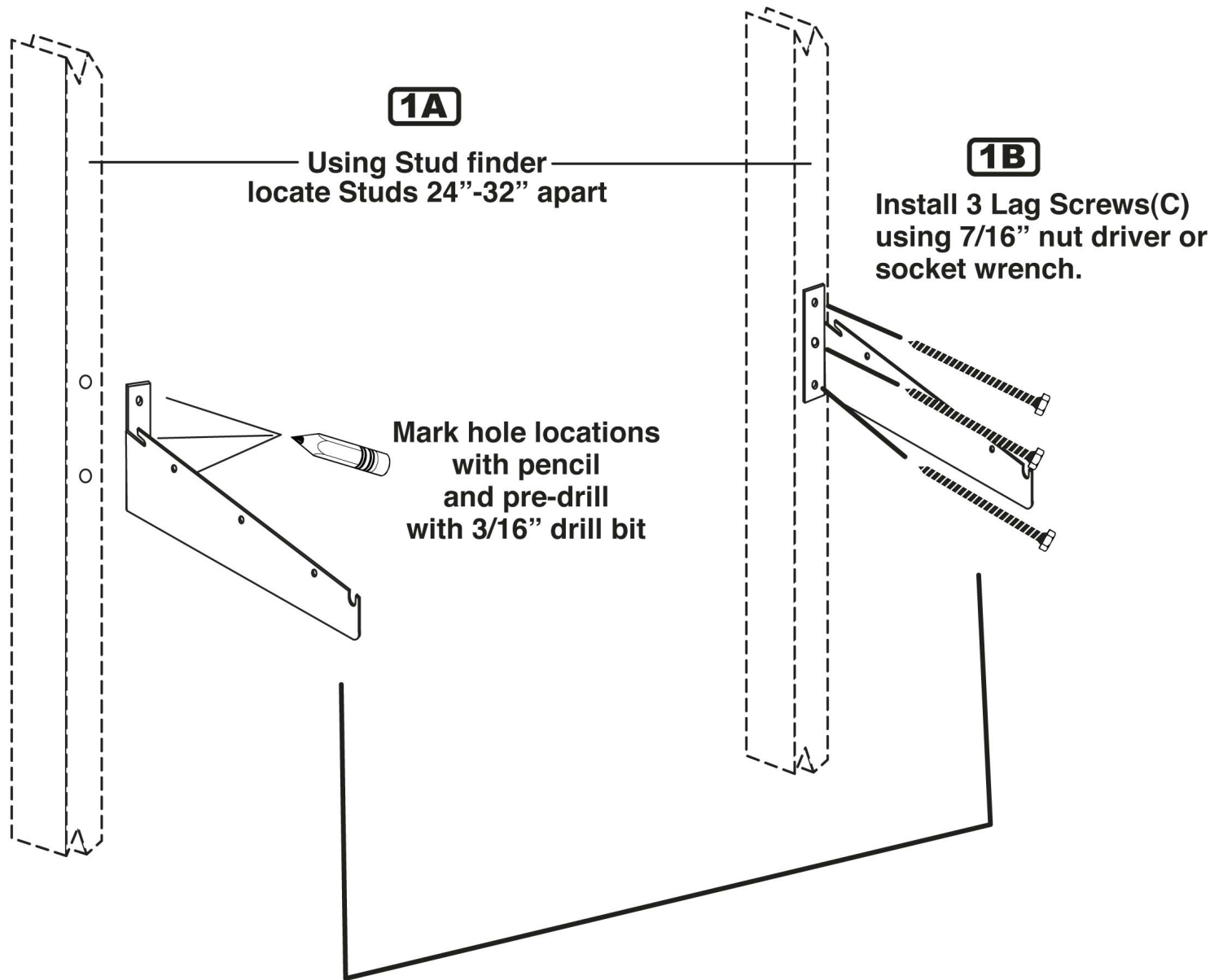


HyLoft Sticker

G These Instructions
and
Limited Warranty



INSTALL SHELF BRACKETS INTO WALL STUDS



1A

Using Stud finder
locate Studs 24"-32" apart

Mark hole locations
with pencil
and pre-drill
with 3/16" drill bit

1B

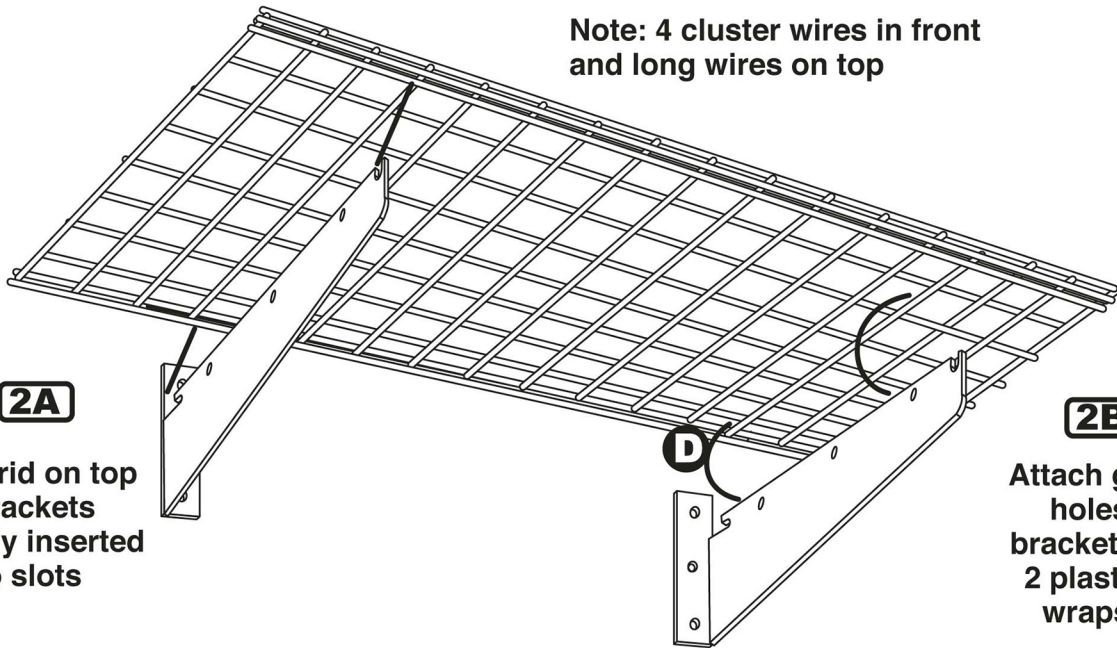
Install 3 Lag Screws(C)
using 7/16" nut driver or
socket wrench.

Note: Make sure brackets are level

2

PLACE AND ATTACH GRIDS

Note: 4 cluster wires in front and long wires on top

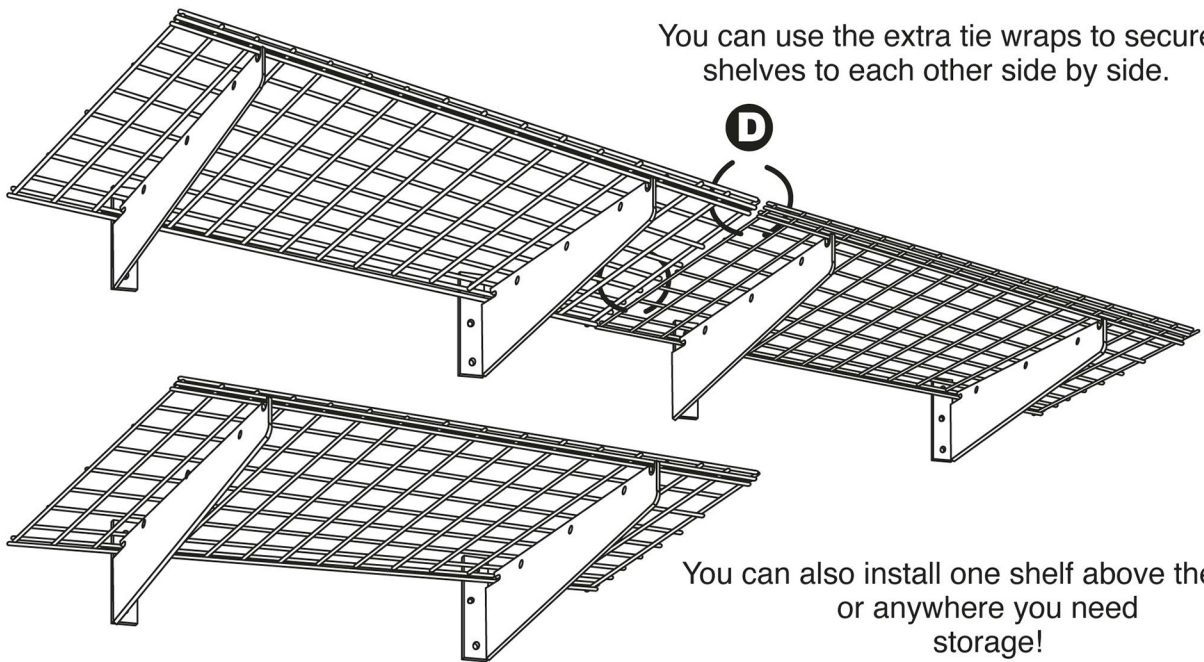


2A

Place grid on top of brackets until fully inserted into slots

2B

Attach grid to holes in brackets with 2 plastic tie wraps(D)



You can use the extra tie wraps to secure shelves to each other side by side.

You can also install one shelf above the other or anywhere you need storage!

You have now completed the installation and are ready to load your new HyLoft Shelf. **(Maximum 150 lbs. per 2' x 4' unit, evenly distributed)**. Place the sticker provided on a bracket for easy reference information.

Periodically (at least annually) check all connections to ensure that they remain tightly fastened.