

UNDERCOUNTER SINK K-3325

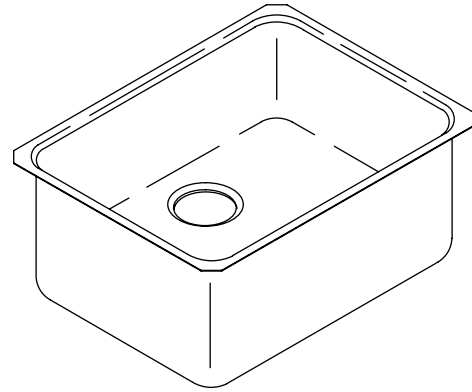
Features

- 18-gauge stainless steel
- Undercounter
- Single compartment
- Squared bowl(s)
- Includes installation hardware
- 21-1/4" (54 cm) x 15-3/4" (40 cm)

Codes/Standards Applicable

Specified model meets or exceeds the following:

- ASME A112.19.3/CSA B45.4



Colors/Finishes

- NA: None applicable

Accessories

- 0: White
- CP: Polished Chrome
- NA: None applicable
- Other: Refer to Price Book for additional colors/finishes

Specified Model

Model	Description	Colors/Finishes
K-3325	Undercounter sink	<input type="checkbox"/> NA

Optional Accessories					
K-3192	Bottom basin rack	<input type="checkbox"/> 0			<input type="checkbox"/> Other _____
K-3277	Wire rinse basket	<input type="checkbox"/> 0			<input type="checkbox"/> Other _____
K-3294	Hardwood cutting board			<input type="checkbox"/> NA	
K-8801	Duostrainer® sink strainer		<input type="checkbox"/> CP		<input type="checkbox"/> Other _____
K-8813	Stainless steel sink strainer with tailpiece		<input type="checkbox"/> CP		
K-8814	Stainless steel sink strainer less tailpiece		<input type="checkbox"/> CP		

Product Specification

The undercounter sink shall be 21-1/4" (54 cm) in length and 15-3/4" (40 cm) in width. Sink shall be made of 18 gauge stainless steel. Sink shall be a single compartment with squared bowl. Sink shall include installation hardware. Sink shall be Kohler Model K-3325-NA.

UNDERTONE®

Technical Information

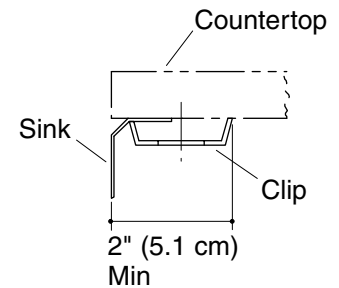
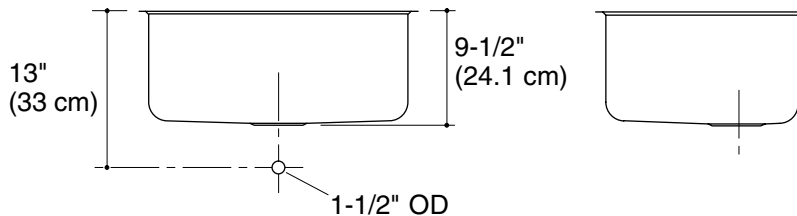
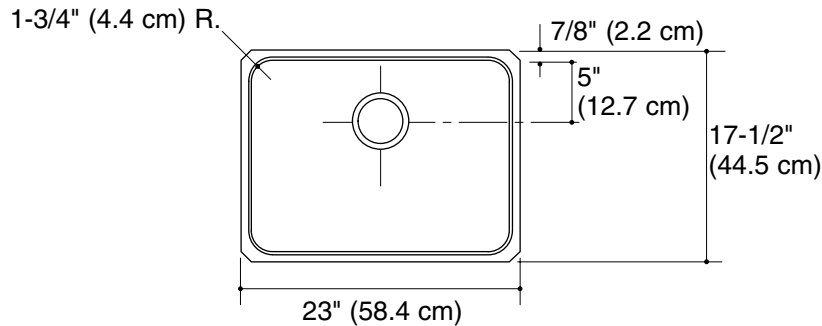
Fixture*:	
Basin area	21-1/4" (54 cm) x 15-3/4" (40 cm)
Water depth	9-3/8" (23.8 cm)
Drain hole	3-5/8" (9.2 cm) D.
*Approximate measurements for comparison only.	

Included components:	
Hardware kit	91915
Cut-out template	113193-7

Installation Notes

Install this product according to the installation guide.

Allow a minimum of 2" (5.1 cm) clearance around the sink rim for clip attachment.



Product Diagram