

Fence Starter Kit Lattice Panel

Starter Kit Instructions

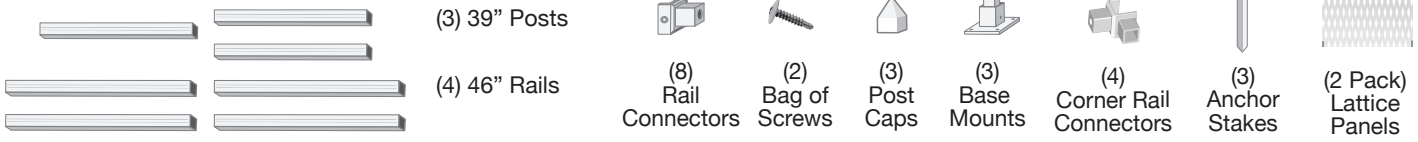
Part Number: SK-3x8L



IF YOU CAN DREAM IT, YOU CAN BUILD IT.

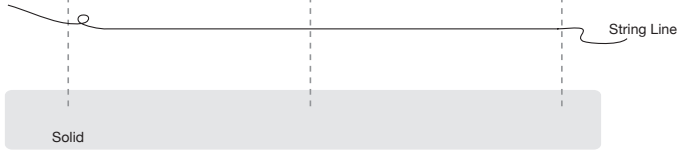
Directions for constructing your SnapFence™ Starter Kit.

1) Unpack box and separate parts.



Solid Mount:

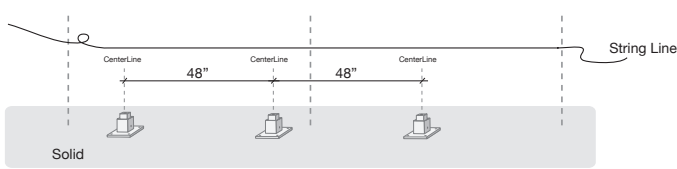
2) Mark out the fence line with a string.



OR

Solid Mount:

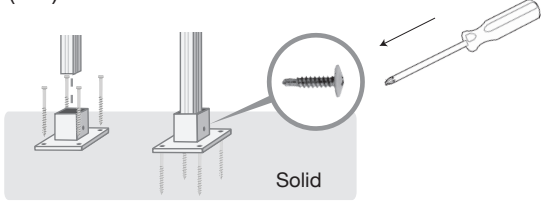
3) Install base mounts along string at 48" center to center.



OR

Solid Mount:

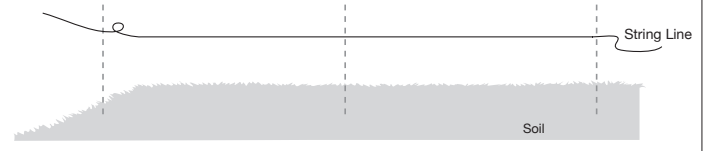
4) Attach posts (39") to base mounts with screws.



OR

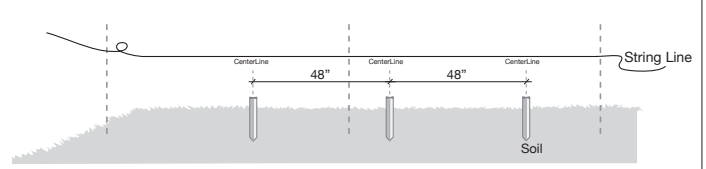
Soil Mount:

2) Mark out the fence line with a string.



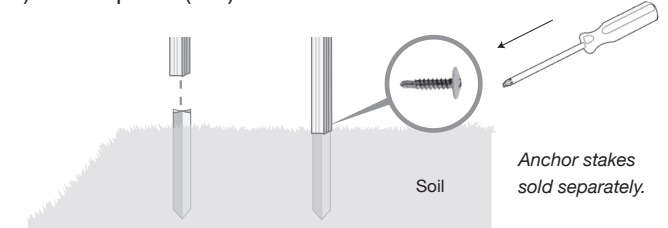
Soil Mount:

3) Install anchor stakes along string at 48" center to center.

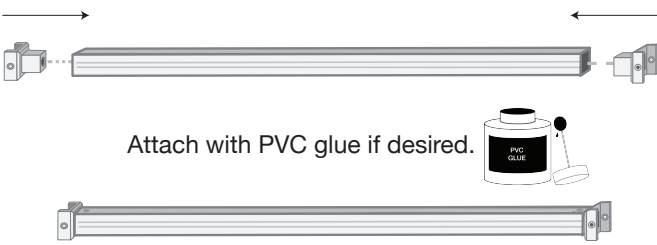


Soil Mount:

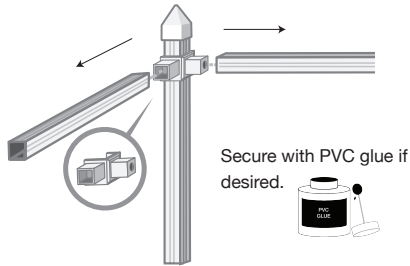
4) Attach posts (39") to anchor stakes with screws.



5) Attach rail connectors to each end of rails (46").

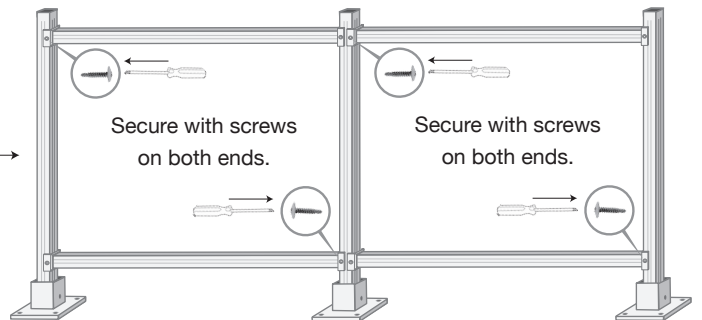
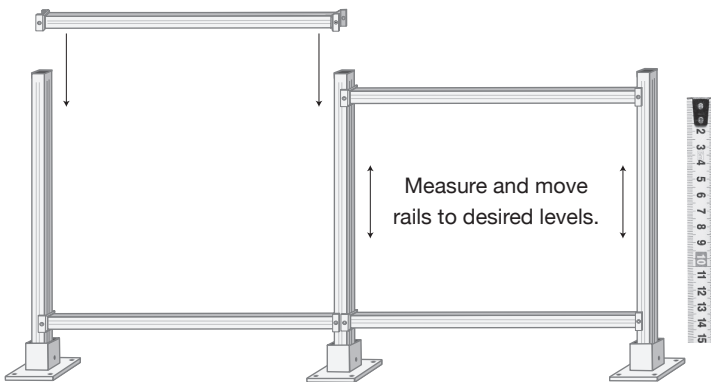


>Use corner rail connectors if making fence turn a corner.

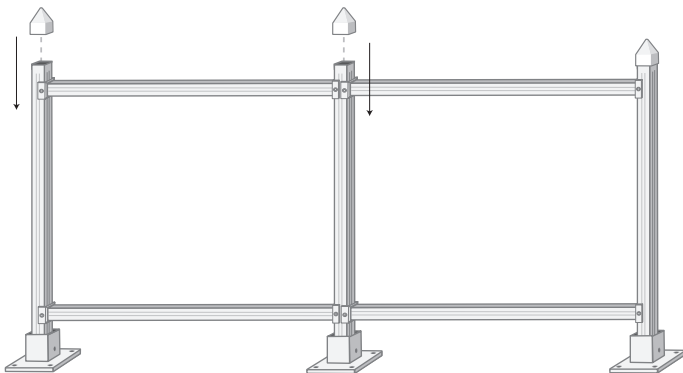


Visit: www.snap-fence.com for more How-To help. Scan the QR code to take you directly to useful SnapFence tips.

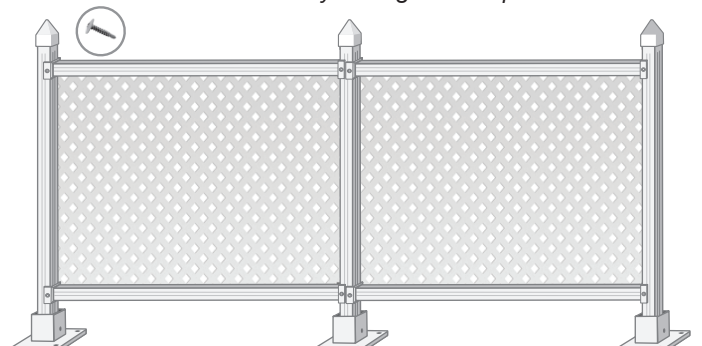
6) Snap rail sections onto posts (39"). Measure and move rails to desired levels. Secure with screws on both ends.



7) Push on post caps. Attach with PVC glue if desired.



*Finish with pre-cut lattice panels. Attach lattice with provided screws. Screw directly through lattice panel.



* Finish with pre-cut Lattice SnapPanels. Continue to add to your project with the SnapFence™ Extension Kit, (sold separately).